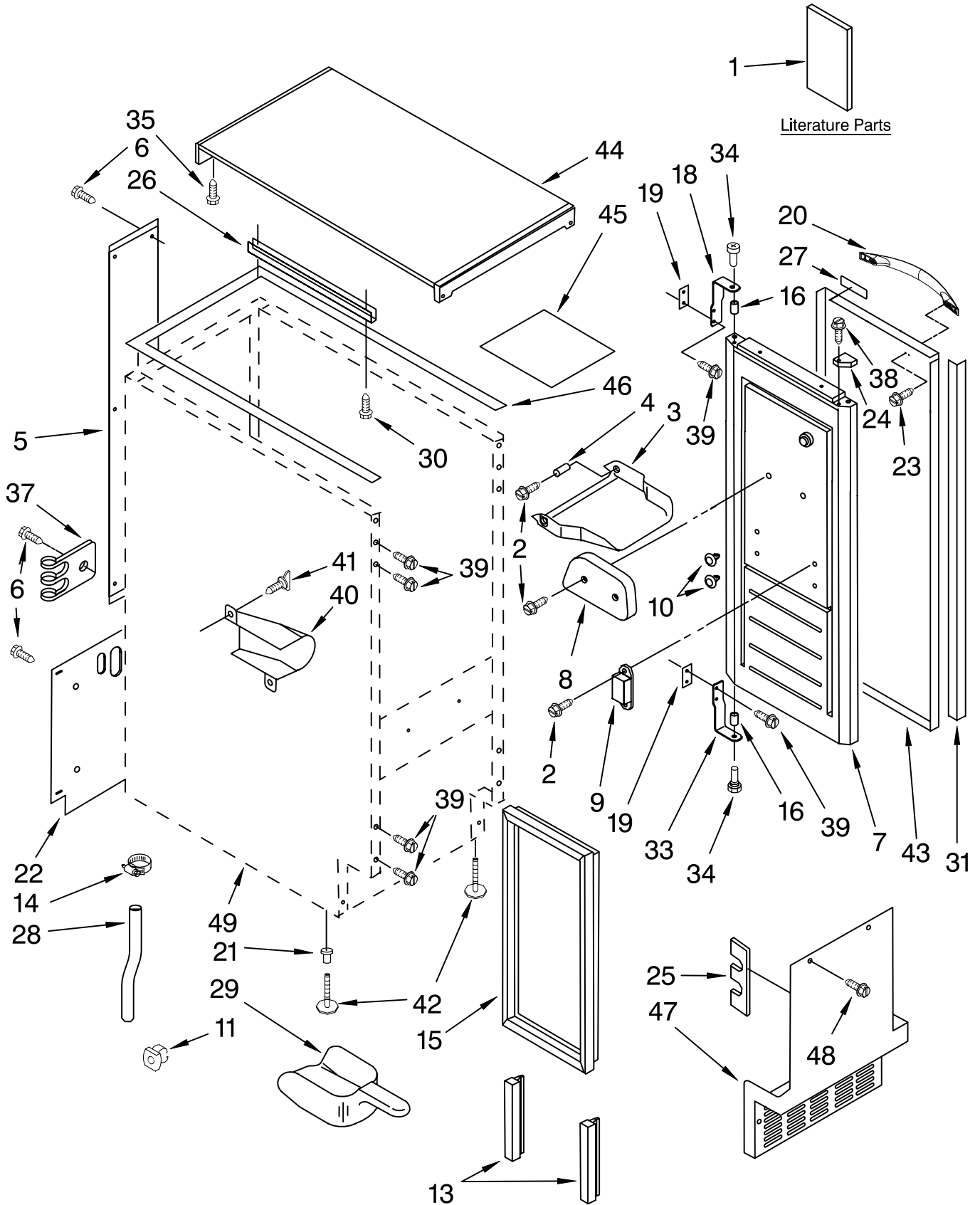




# CABINET LINER AND DOOR PARTS

For Models: G115NFLT B1, G115NFLT S1  
(Black) (Stainless Steel)

ICE CUBE  
MAKER



FOR ORDERING INFORMATION REFER TO PARTS PRICE LIST

# CABINET LINER AND DOOR PARTS

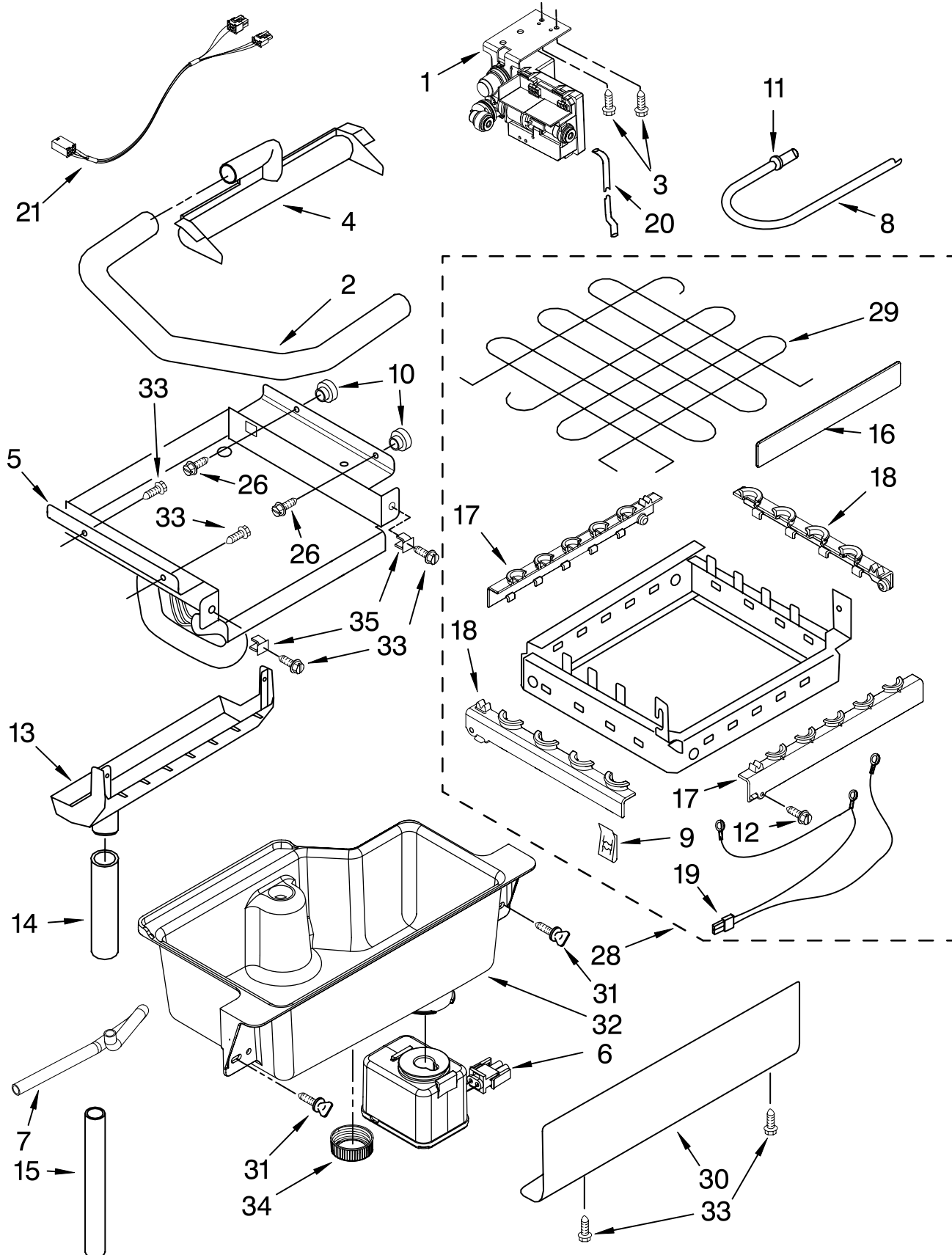
For Models: G115NFLTB1, G115NFLTS1  
(Black) (Stainless Steel)

Illus. No.	Part No.	DESCRIPTION	Illus. No.	Part No.	DESCRIPTION	Illus. No.	Part No.	DESCRIPTION
1		Literature Parts	19	2185709	Shim, Hinge	33	2185711	Hinge, Bottom
	2313683	Use & Care Guide	20		Handle, Door	34	2185712	Pin, Hinge
	2324311	Service & Wiring Sheet		2313656B	Black	35	489048	Screw, Ground 8-32 x 1/2
				2313656US	Stainless Steel	37	2208136	Clip, Water Tube
2	3400886	Screw 8-18 x 1 1/4	21	3400240	Nut, Leg Leveler	38	348689	Screw 8-18 x 3/4
3	2185742	Bin, Door	22	W10136199	Assembly, Unit Cover	39	489423	Screw
4	2185678	Spacer	23	3400037	Screw	40	2185927	Holder, Scoop
5	2217394	Cover, Wiring	24		Filler, Endcap	41	8281228	Thumbscrew
6	489442	Screw			Left Side	42	3374849	Leg, Leveler (4) Wrap-Door
7		Door		2185655B	Black	43		
	2932803B	Black			Right Side		2313648B	Black
8	2185695	Cam, Door		2185656B	Black		2313648S	Stainless Steel
9	2217393	Assembly, Magnetic Catch	25	2185756	Pad, Foam	44		Top
10	2189000	Hole Plug, Handle	26	2185691	Channel, Wiring		2929700B	Black
11	692400	Nut, Push-In	27	9757613	Nameplate	45	2185690	Shield, Electrical
13	2217367	Gasket, Bottom	28	2185989	Tube, Drain	46	2217293	Gasket, Top Panel
14	489503	Clamp	29	585158	Scoop	47		Grill, Front
15	2217294	Gasket, Door	30	3400884	Screw 8-18 x 5/8		2185571B	Black
16	2185640	Sleeve, Hinge	31	2185964	Grommet-Edge Guard	48	489474	Screw 8-18 x 1
18	2185710	Hinge, Top				49		Cabinet & Liner (NOT SERVICED)

FOR ORDERING INFORMATION REFER TO PARTS PRICE LIST

# EVAPORATOR, ICE CUTTER GRID AND WATER PARTS

For Models: G15NFLT B1, G15NFLT S1  
(Black) (Stainless Steel)



FOR ORDERING INFORMATION REFER TO PARTS PRICE LIST

# EVAPORATOR, ICE CUTTER GRID AND WATER PARTS

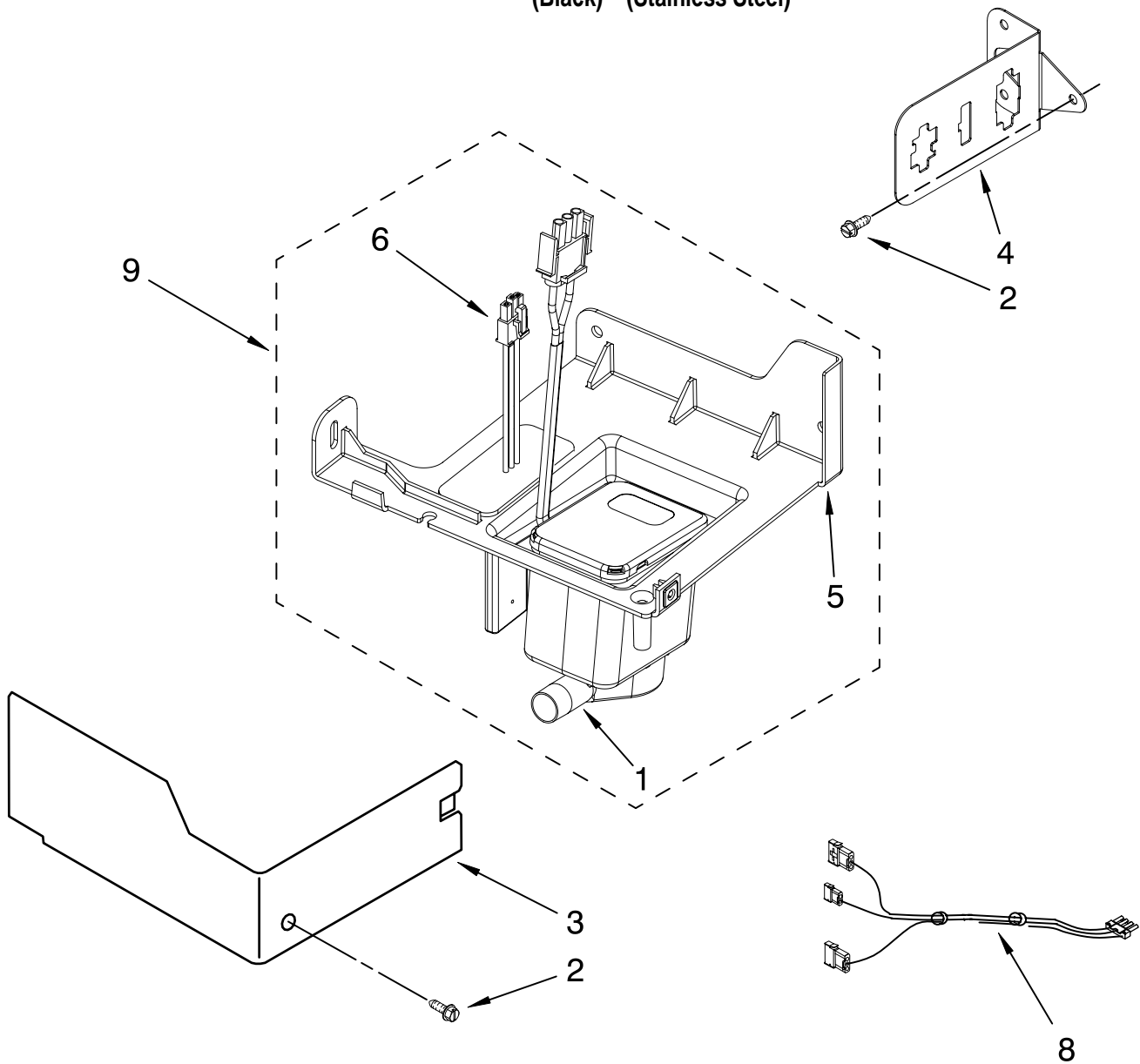
For Models: GI15NFLTB1, GI15NFLTS1  
(Black) (Stainless Steel)

<b>Illus. No.</b>	<b>Part No.</b>	<b>DESCRIPTION</b>
1	W10159841	Valve, Complete Water
2	2217286	Tube, Plastic
3	488208	Screw
4	2185523	Dispenser, Water
5	2217269	Evaporator
6	2313705	Pump, Drain
7	2313851	Tube, Reservoir Pump
8	2172593	Tube, Water Fill
9	488660	Nut, Speed
10	836667	Spacer
11	2208539	Fastener, Pushnut
12	489443	Screw
13	2185625	Reservoir, Water Slide
14	2185626	Tube
15	2313890	Hose, Overflow
16	2313604	Guide-Ice, Grid
17	2313603	Bracket, Front and Rear
18	2313602	Bracket, Side Left and Right
19	2185681	Harness, Grid
20	W10136146	Tube
21	2310169	Wire Assembly Valve
26	3400886	Screw 8-18 x 1 1/4
28	2313637	Grid Assembly (Complete)
29	2174754	Wire, Grid Cutter
30	2185570	Cover, Grid
31	8281228	Thumbscrew
32	2324334	Reservoir, Water
33	3400884	Screw 8-18 x 5/8
34	2185696	Cap, Drain
35	3400909	Nut, Push-In

FOR ORDERING INFORMATION REFER TO PARTS PRICE LIST

# PUMP PARTS

For Models: GI15NFLTB1, GI15NFLTS1  
(Black) (Stainless Steel)

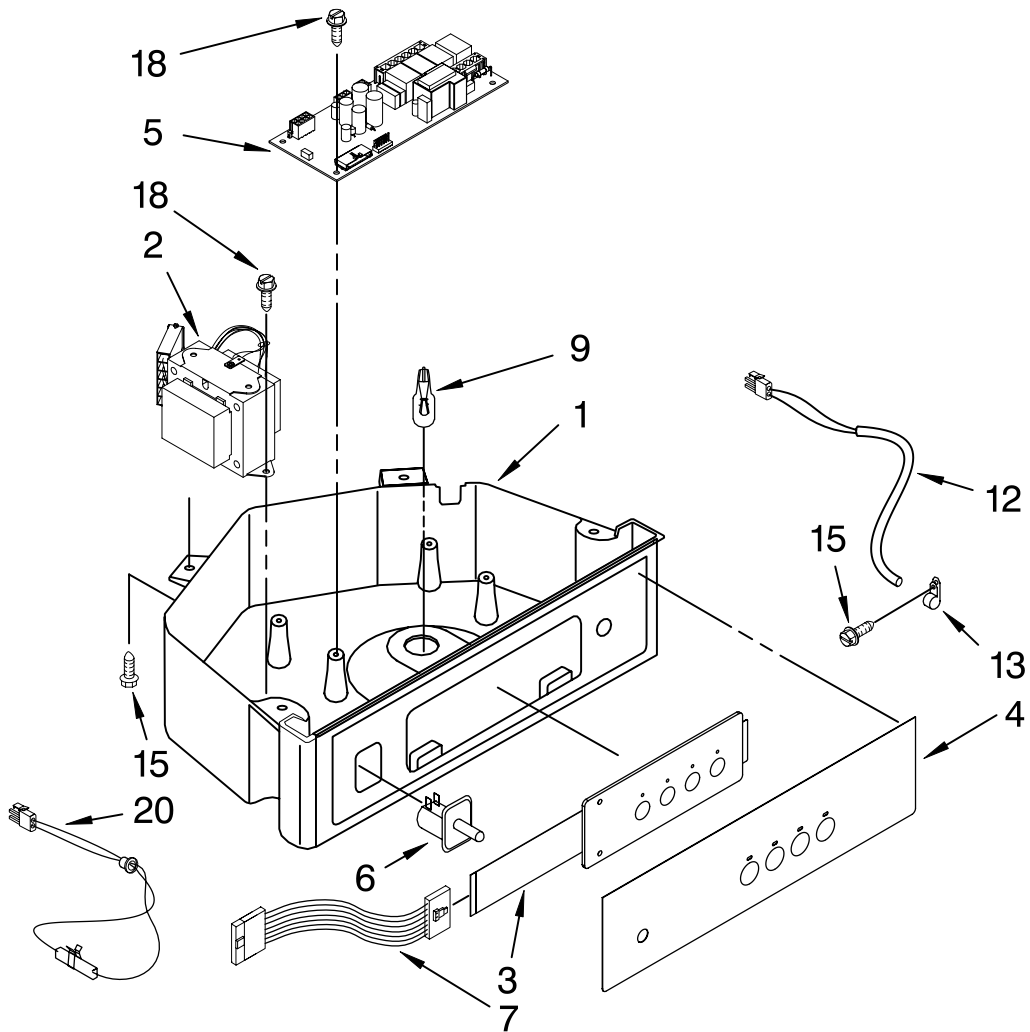


Illus. No.	Part No.	DESCRIPTION
1	2313628	Pump-Recirculating
2	3400884	Screw 8-18 x 5/8
3	2185677	Cover, Pump
4	2313844	Bracket, Connector Assembly
5	2313627	Bracket-Pump
6	2313643	Sensor-Water Level
8	2310092	Wiring Harness Main To Pump
9	2313702	Pump Assembly

FOR ORDERING INFORMATION REFER TO PARTS PRICE LIST

# CONTROL PANEL PARTS

For Models: G15NFLT B1, G15NFLT S1  
(Black) (Stainless Steel)

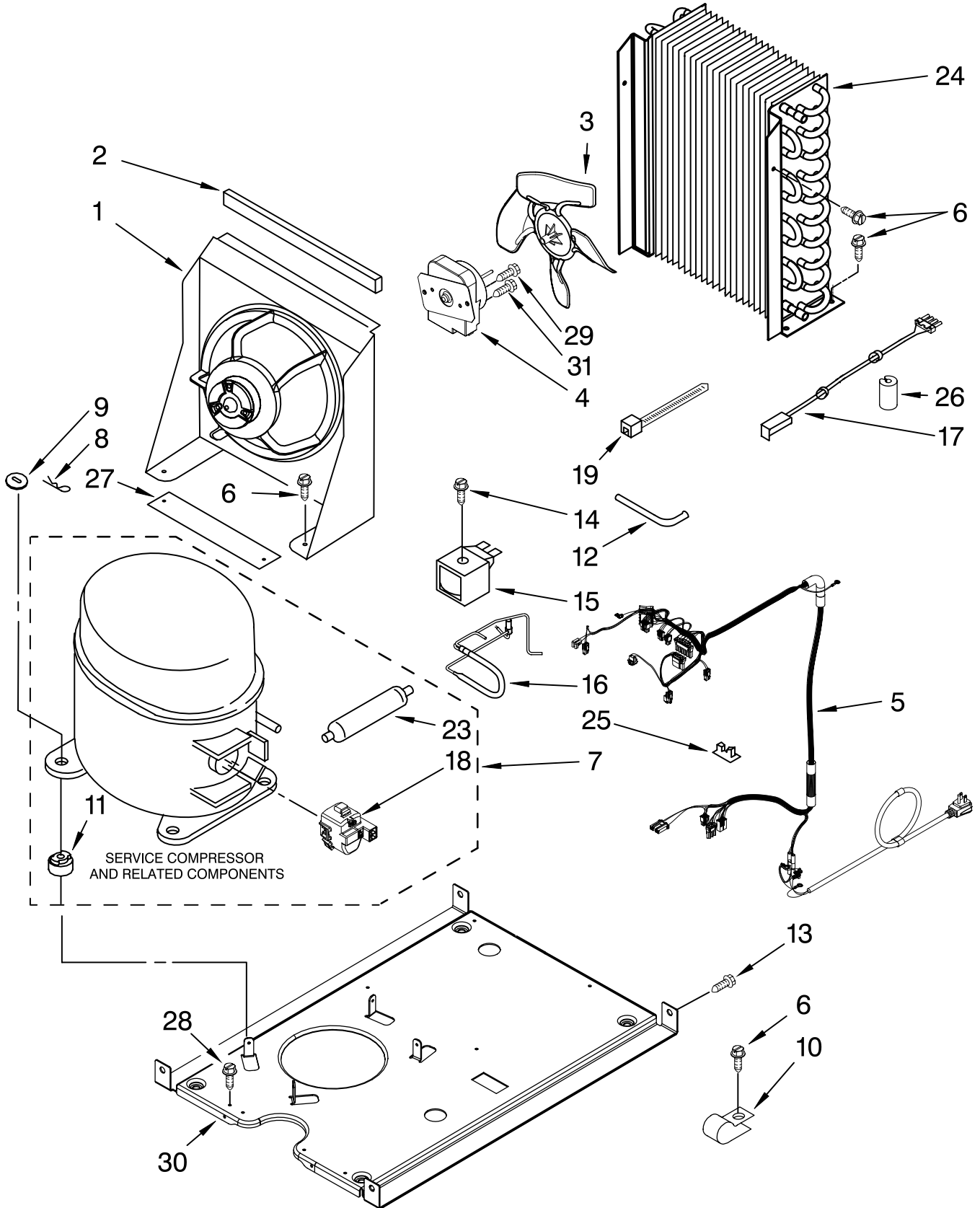


Illus. No.	Part No.	DESCRIPTION
1	W10139122	Box, Control
2	2310139	Transformer
3	2304121	Assembly, Switch (Also Order #4)
4	2313692	Overlay
5	W10122069	Control Board
6	2149705	Switch, Plunger (Also Order # 4)
7	2187585	Wire Assy-Active Overlay Jumper
9	745362	Bulb
12	2313633	Thermostat, Bin
13	2185825	Clamp
15	3400884	Screw
18	3400850	Screw 8-16 x 3/8
20	2313635	Thermister, Ice Control

FOR ORDERING INFORMATION REFER TO PARTS PRICE LIST

# UNIT PARTS

For Models: GI15NFLTB1, GI15NFLTS1  
(Black) (Stainless Steel)



FOR ORDERING INFORMATION REFER TO PARTS PRICE LIST

# UNIT PARTS

For Models: G115NFLT B1, G115NFLT S1  
(Black) (Stainless Steel)

<u>Illus.</u> <u>No.</u>	<u>Part</u> <u>No.</u>	<u>DESCRIPTION</u>
1	2185532	Bracket, Fan Mtg.
2	2185675	Pad, Foam
3	2188935	Blade, Fan
4	2315558	Motor & Mounting Plate Assembly
5	W10139121	Wiring Harness, Complete Unit (Includes Power Cord
6	304392	Screw
7	W10136195	Compressor (Includes Illus. 11 & 23)
8	A201435	Clip, Mounting
9	A201441	Shim (4)
10	2185960	Clamp
11		Grommet (4)
	2217318	Production
	4387558	Service
12	2208415	Tube, Process
13	489423	Screw
14	489472	Screw
15	759112	Coil, Solenoid
16	2313806	Hot Gas Valve
17	2187629	Wiring Harness, Condenser Fan
18	W10136197	Start Relay & Overload Combo Device
19	2155774	Strap
23		Drier
	2319826	Production
	4387019	Service
24	2313624	Condenser
25	1115375	Clip-Wiring
26	2319835	Grommet-Cond.(1)
27	2217397	Pad, Foam (2)
28	488500	Screw
29	8281197	Screw
30	2217388	Base, Unit
31	8281196	Screw

## REFRIGERANT CHARGE

6.5 OZ. (R134A)



# OPTIONAL PARTS (NOT INCLUDED)

For Models: G115NFLTB1, G115NFLTS1  
(Black) (Stainless Steel)

<b>Illus. No.</b>	<b>Part No.</b>	<b>DESCRIPTION</b>
<hr/>		
Parts Not Illustrated and Optional Parts (Not Included)		
<hr/>		

503695	Sealer, Cork (1/4 Pound)
797403	Cement, Insulation (1 Oz.)
505587	Sealer, Mastic (1 Qt.)
212643	Sealer, Gum (22 Pcs. 3/16" x 7")
479976	Kit, Insulation (5 Pcs. 3" x 24" x 48")
8537055	Cleaner, Stainless Steel
978025	Valve, Access (1/4")
978026	Valve, Access (5/16")
978027	Valve, Access (3/8")
978028	Valve, Access (1/2")
978029	Valve, Access (5/8")
978030	Valve, Access (3/4")

FOR ORDERING INFORMATION REFER TO PARTS PRICE LIST