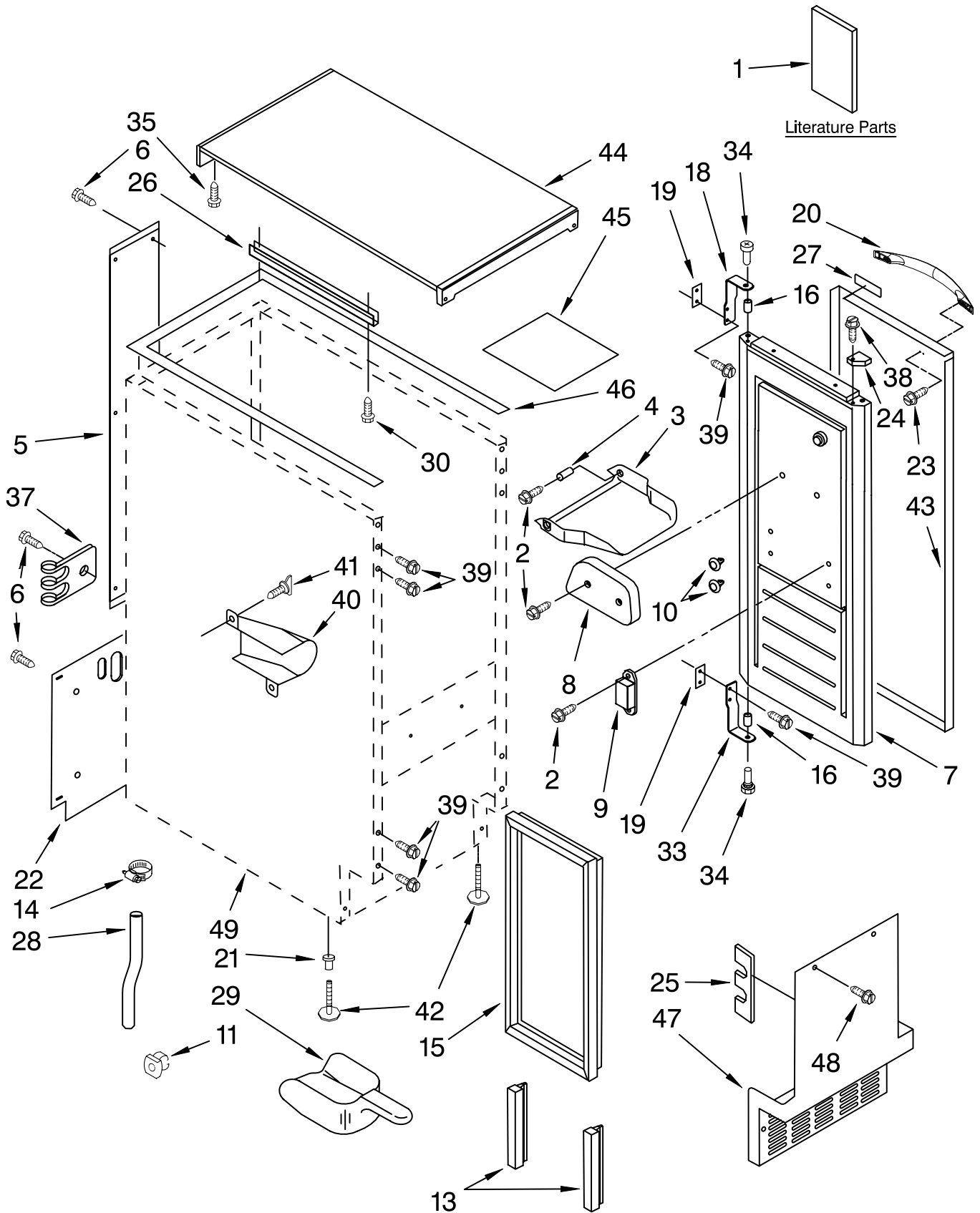




# CABINET LINER AND DOOR PARTS

For Models: G15NFLTBO, G15NFLTSO  
(Black) (Stainless Steel)

ICE CUBE  
MAKER



FOR ORDERING INFORMATION REFER TO PARTS PRICE LIST

# CABINET LINER AND DOOR PARTS

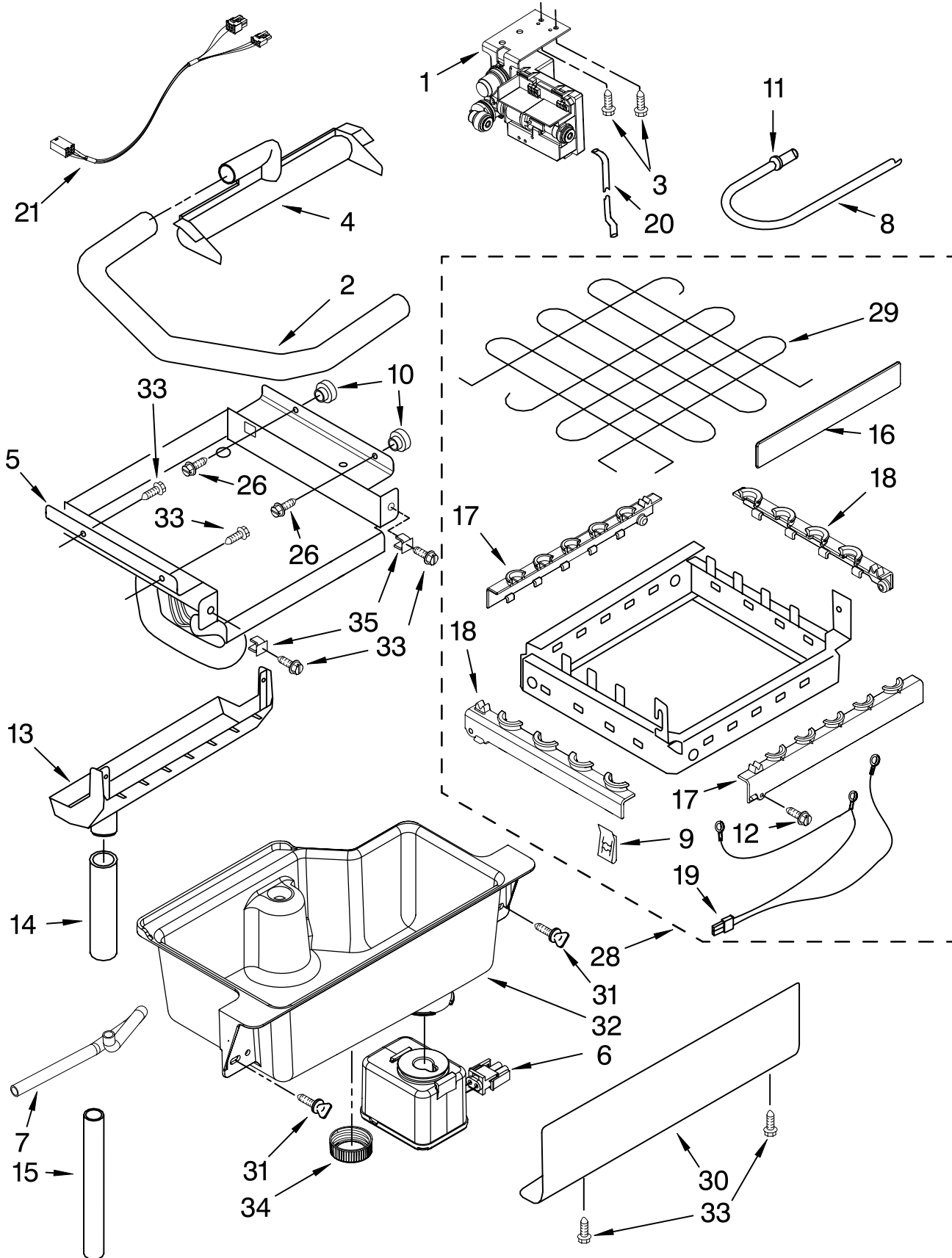
For Models: GI15NFLTB0, GI15NFLTS0  
(Black) (Stainless Steel)

Illus. No.	Part No.	DESCRIPTION	Illus. No.	Part No.	DESCRIPTION	Illus. No.	Part No.	DESCRIPTION
1		Literature Parts	15	2217294	Gasket, Door	30	3400884	Screw 8-18 x 5/8
	2313683	Use & Care Guide	16	2185640	Sleeve, Hinge	33	2185711	Hinge, Bottom
	8052029	Label,	18	2185710	Hinge, Top	34	2185712	Pin, Hinge
		800-Number	19	2185709	Shim, Hinge	35	489048	Screw, Ground
	2324311	Service & Wiring Sheet	20		Handle, Door			8-32 x 1/2
				2313656B	Black	37	2208136	Clip, Water Tube
2	3400886	Screw 8-18 x 1 1/4		2313656US	Stainless Steel	38	348689	Screw 8-18 x 3/4
3	2185742	Bin, Door	21	3400240	Nut,	39	489423	Screw
4	2185678	Spacer			Leg Leveler	40	2185927	Holder, Scoop
5	2217394	Cover, Wiring	22	2185730	Assembly,	41	8281228	Thumbscrew
6	489442	Screw			Unit Cover	42	3374849	Leg, Leveler (4)
7		Door	23	3400037	Screw	43		Wrap-Door
	2932803B	Black	24		Filler, Endcap		2313649B	Black
8	2185695	Cam, Door			Left Side		2313649S	Stainless Steel
9	2217393	Assembly,		2185655B	Black	44		Top
		Magnetic Catch			Right Side		2929700B	Black
10	2189000	Hole Plug, Handle		2185656B	Black	45	2185690	Shield, Electrical
11	692400	Nut, Push-In	25	2185756	Pad, Foam	46	2217293	Gasket, Top Panel
13	2217367	Gasket, Bottom	26	2185691	Channel, Wiring	47		Grill, Front
14	489503	Clamp	27	9757613	Nameplate		2185571B	Black
			28	2185989	Tube, Drain	48	489474	Screw 8-18 x 1
			29	585158	Scoop	49		Cabinet & Liner
								(NOT SERVICED)

FOR ORDERING INFORMATION REFER TO PARTS PRICE LIST

# EVAPORATOR, ICE CUTTER GRID AND WATER PARTS

For Models: G15NFLTBO, G15NFLTSO  
(Black) (Stainless Steel)



FOR ORDERING INFORMATION REFER TO PARTS PRICE LIST

# EVAPORATOR, ICE CUTTER GRID AND WATER PARTS

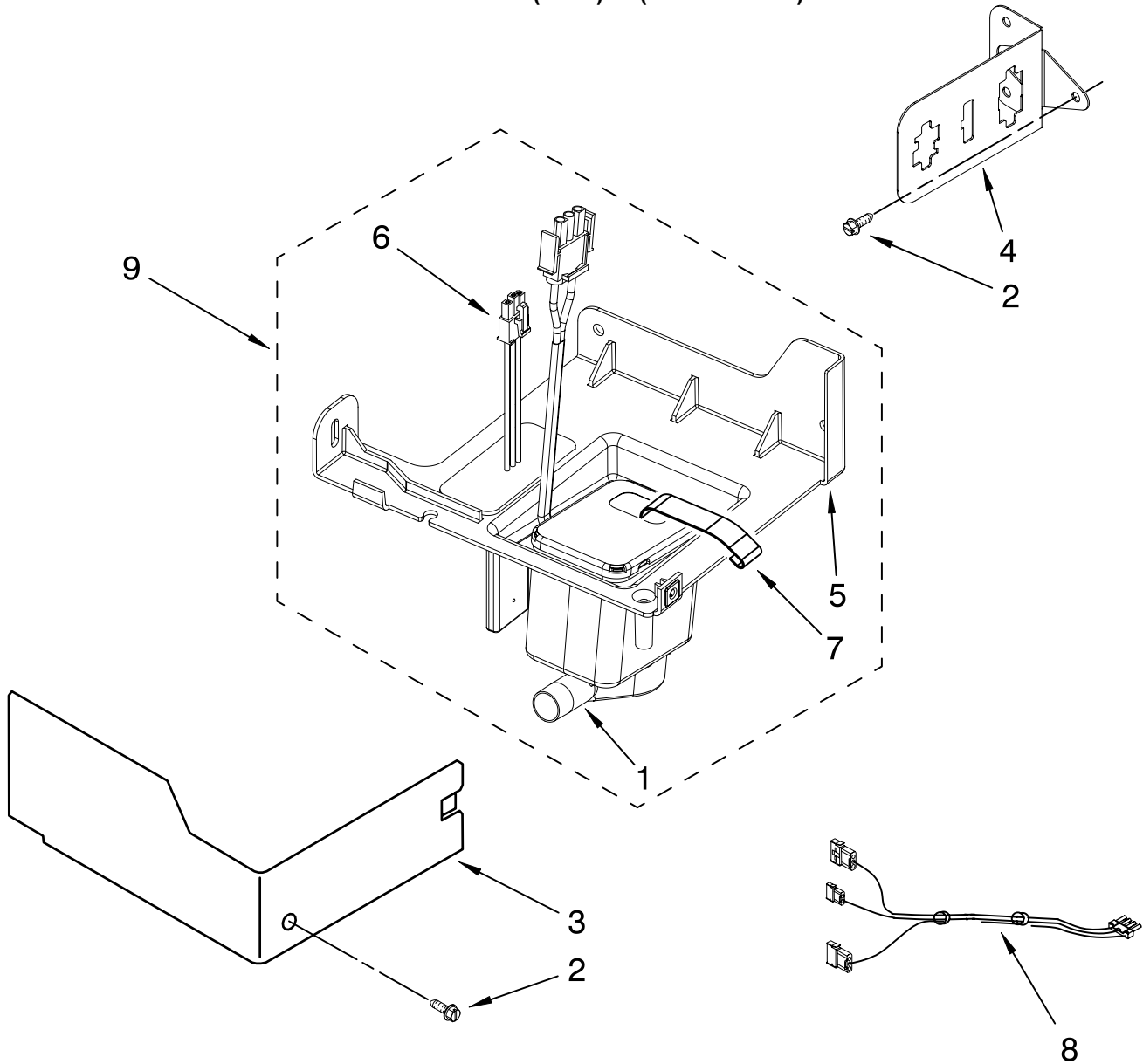
For Models: GI15NFLTB0, GI15NFLTS0  
(Black) (Stainless Steel)

<u>Illus.</u> <u>No.</u>	<u>Part</u> <u>No.</u>	<u>DESCRIPTION</u>
1	2313741	Valve, Complete Water
2	2217286	Tube, Plastic
3	488208	Screw
4	2185523	Dispenser, Water
5	2217269	Evaporator
6	2313705	Pump, Drain
7	2313851	Tube, Reservoir Pump
8	2172593	Tube, Water Fill
9	488660	Nut, Speed
10	836667	Spacer
11	2208539	Fastener, Pushnut
12	489443	Screw
13	2185625	Reservoir, Water Slide
14	2185626	Tube
15	2313890	Hose, Overflow
16	2313604	Guide-Ice, Grid
17	2313603	Bracket, Front and Rear
18	2313602	Bracket, Side Left and Right
19	2185681	Harness, Grid
20	2324305	Tube
21	2310169	Wire Assembly Valve
26	3400886	Screw 8-18 x 1 1/4
28	2313637	Grid Assembly (Complete)
29	2174754	Wire, Grid Cutter
30	2185570	Cover, Grid
31	8281228	Thumbscrew
32	2313834	Reservoir, Water
33	3400884	Screw 8-18 x 5/8
34	2185696	Cap, Drain
35	3400909	Nut, Push-In

FOR ORDERING INFORMATION REFER TO PARTS PRICE LIST

# PUMP PARTS

For Models: G15NFLTB0, G15NFLTS0  
(Black) (Stainless Steel)

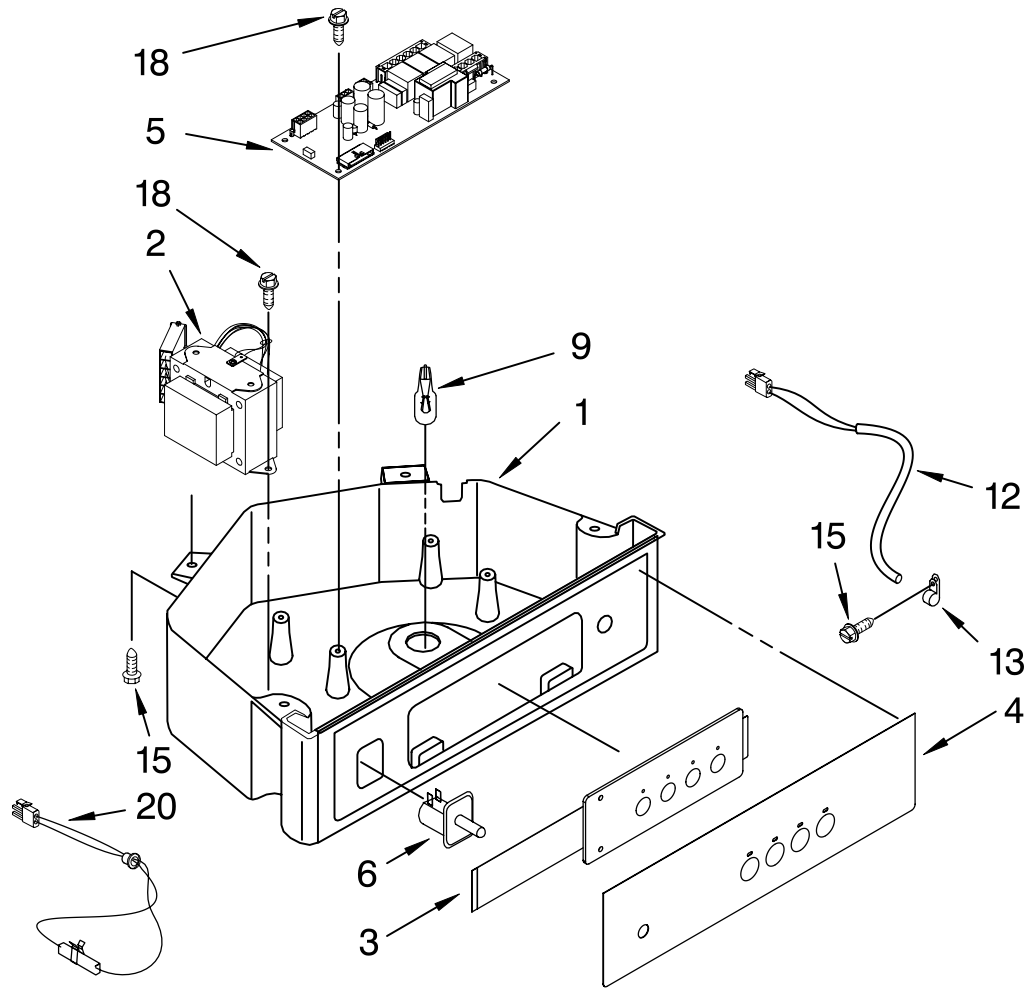


Illus. No.	Part No.	DESCRIPTION
1	2313628	Pump-Recirculating
2	3400884	Screw 8-18 x 5/8
3	2185677	Cover, Pump
4	2313844	Bracket, Connector Assembly
5	2313627	Bracket-Pump
6	2313643	Sensor-Water Level
7	2324307	Clip-Retainer
8	2310092	Wiring Harness Main To Pump
9	2313702	Pump Assembly

FOR ORDERING INFORMATION REFER TO PARTS PRICE LIST

# CONTROL PANEL PARTS

For Models: G15NFLTB0, G15NFLTS0  
(Black) (Stainless Steel)



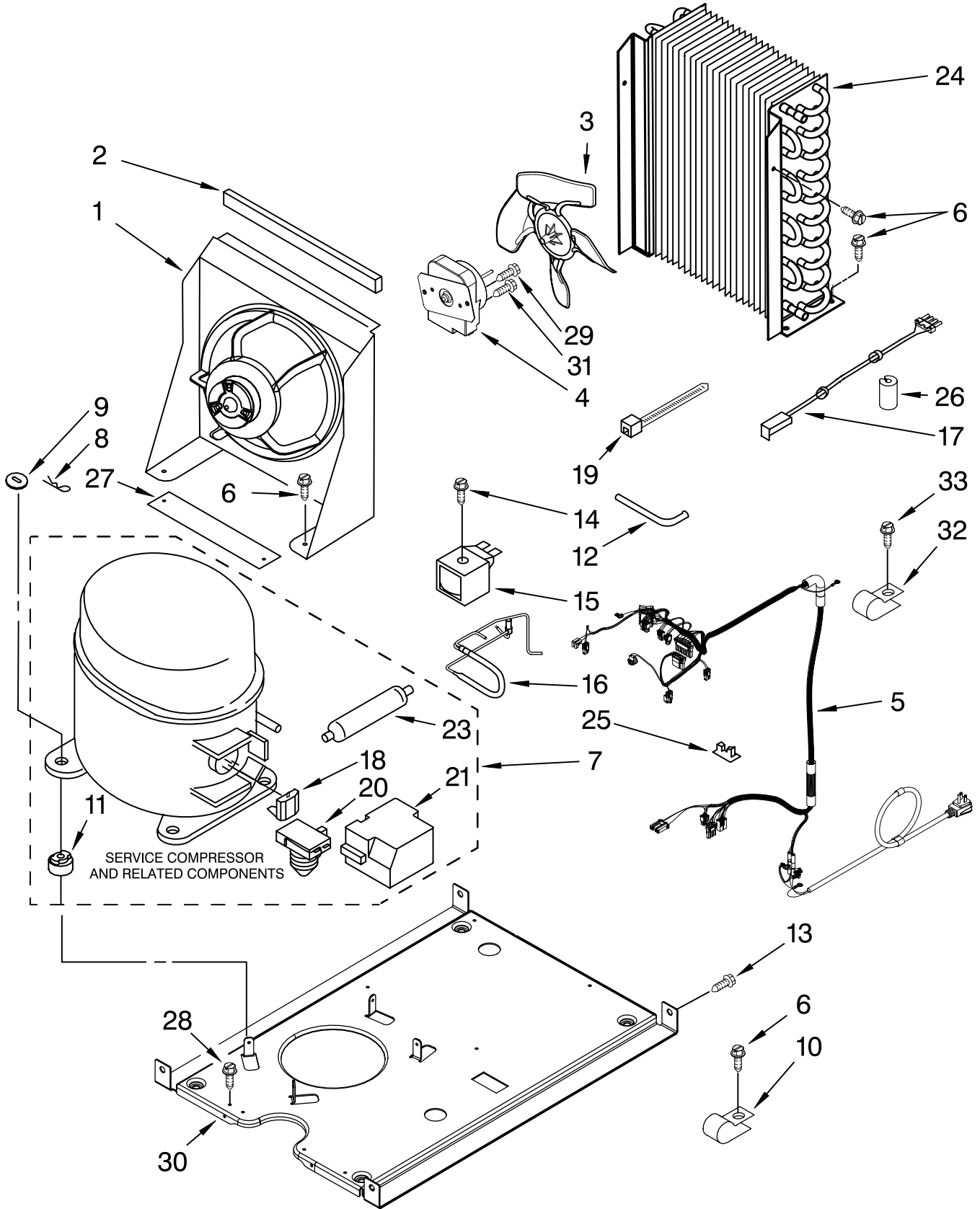
Illus. No.	Part No.	DESCRIPTION
------------	----------	-------------

1	2185738	Box, Control
2	2310139	Transformer
3	2304121	Assembly, Switch (Also Order #4)
4	2313692	Overlay
5	2321774	Control Board
6	2149705	Switch, Plunger (Also Order # 4)
9	745362	Bulb
12	2313633	Thermostat, Bin
13	2185825	Clamp
15	3400884	Screw
18	3400850	Screw 8-16 x 3/8
20	2313635	Thermister, Ice Control

FOR ORDERING INFORMATION REFER TO PARTS PRICE LIST

# UNIT PARTS

For Models: G15NFLTB0, G15NFLTS0  
(Black) (Stainless Steel)



FOR ORDERING INFORMATION REFER TO PARTS PRICE LIST

# UNIT PARTS

For Models: GI15NFLTB0, GI15NFLTS0  
(Black) (Stainless Steel)

Illus. No.	Part No.	DESCRIPTION	Illus. No.	Part No.	DESCRIPTION	Illus. No.	Part No.	DESCRIPTION
1	2185532	Bracket, Fan Mtg.	11		Grommet (4)	23		Drier
2	2185675	Pad, Foam		2217318	Production		2319826	Production
3	2188935	Blade, Fan		4387558	Service		4387019	Service
4	2315558	Motor & Mounting Plate Assembly	12	2208415	Tube, Process	24	2313624	Condenser
5	2310125	Wiring Harness, Complete Unit (Includes Power Cord)	13	489423	Screw	25	1115375	Clip-Wiring
6	304392	Screw	14	489472	Screw	26	2319835	Grommet-Cond.(1)
7	2313858	Compressor (Includes Illus. 11,18, 20,21 & 23)	15	759112	Coil, Solenoid	27	2217397	Pad, Foam (2)
8	A201435	Clip, Mounting	16	2313806	Hot Gas Valve	28	488500	Screw
9	A201441	Shim (4)	17	2187629	Wiring Harness, Condenser Fan Overload	29	8281197	Screw
10	2185960	Clamp	18		2217223 Production	30	2217388	Base, Unit
					4387938 Service (Includes Relay)	31	8281196	Screw
			19	2155774	Strap	32	W10005420	Clamp-Nylon-Cable
			20		2217224 Production	33	3400884	Screw
					4387938 Service (Includes Overload)			
			21		Cover, Terminal			
				2208371	Production			
				4387731	Service			

**REFRIGERANT CHARGE**

6.5 OZ. (R134A)





# OPTIONAL PARTS (NOT INCLUDED)

For Models: G115NFLTB0, G115NFLTS0  
(Black) (Stainless Steel)

<b>Illus. No.</b>	<b>Part No.</b>	<b>DESCRIPTION</b>
Parts Not Illustrated and Optional Parts (Not Included)		

503695	Sealer, Cork (1/4 Pound)
797403	Cement, Insulation (1 Oz.)
505587	Sealer, Mastic (1 Qt.)
212643	Sealer, Gum (22 Pcs. 3/16" x 7")
479976	Kit, Insulation (5 Pcs. 3" x 24" x 48")
8537055	Cleaner, Stainless Steel
978025	Valve, Access (1/4")
978026	Valve, Access (5/16")
978027	Valve, Access (3/8")
978028	Valve, Access (1/2")
978029	Valve, Access (5/8")
978030	Valve, Access (3/4")

FOR ORDERING INFORMATION REFER TO PARTS PRICE LIST