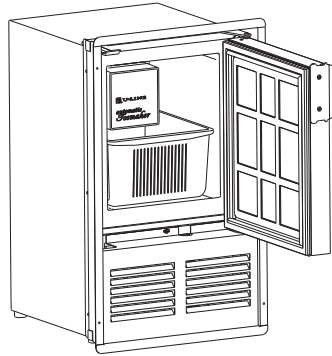
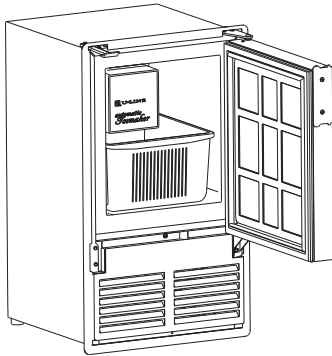


ICE MAKER

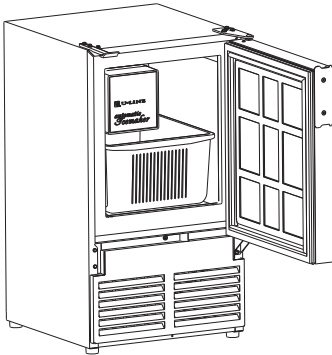
Models SS1095FD, SS1095FC, SS1095NF



SS1095FD



SS1095FC



SS1095NF

FEATURES

1. **Marine-grade stainless steel – door, cabinet and grille**
2. **Three mounting flange options:**
 - SS1095FD – flange flush to door
 - SS1095FC – flange flush to cabinet
 - SS1095NF – no flange
3. **Positive catch door latch**
4. **High ice production**
5. **No drain required**
6. **Front vented – can be built-in or freestanding**
7. **Conserves water**
8. **Conserves energy**
9. **Field reversible door with zero clearance swing**
10. **Corrosive resistant components**

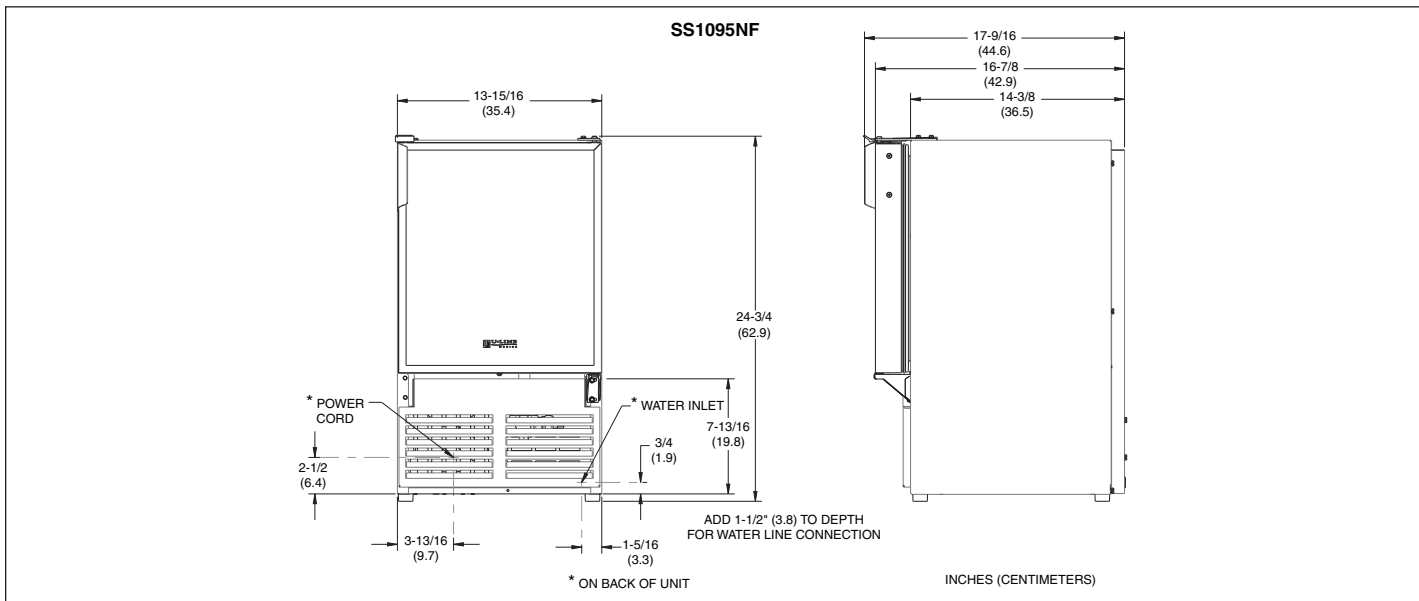
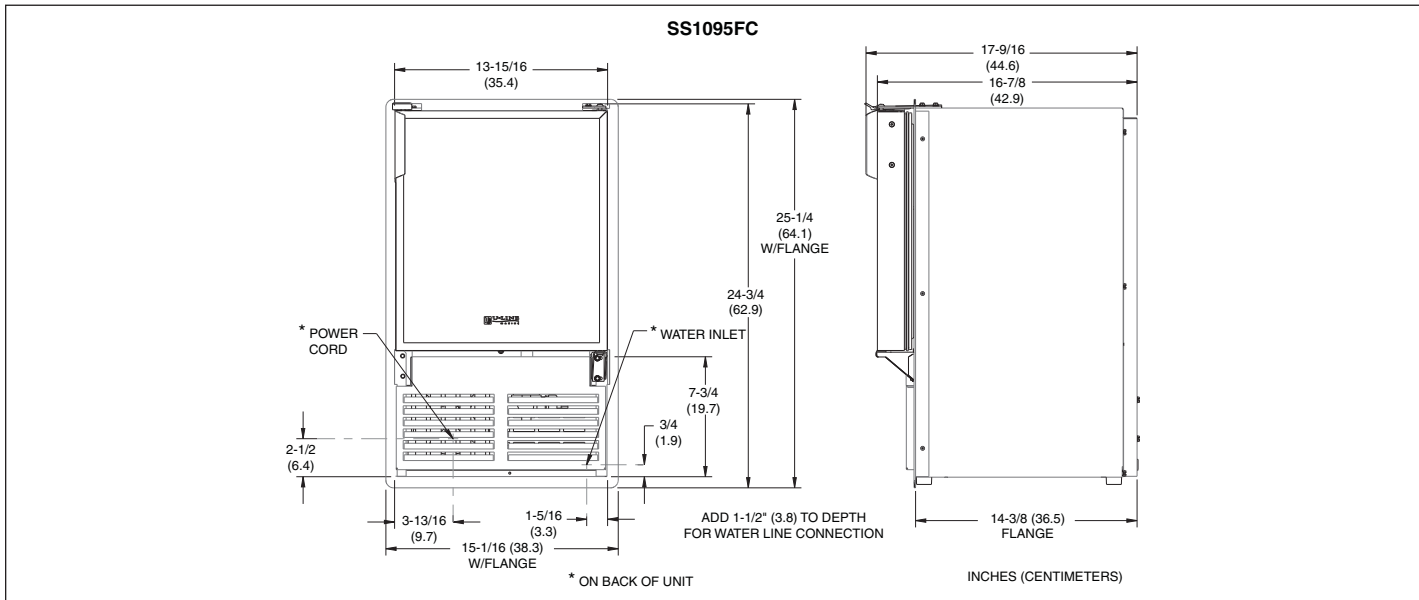
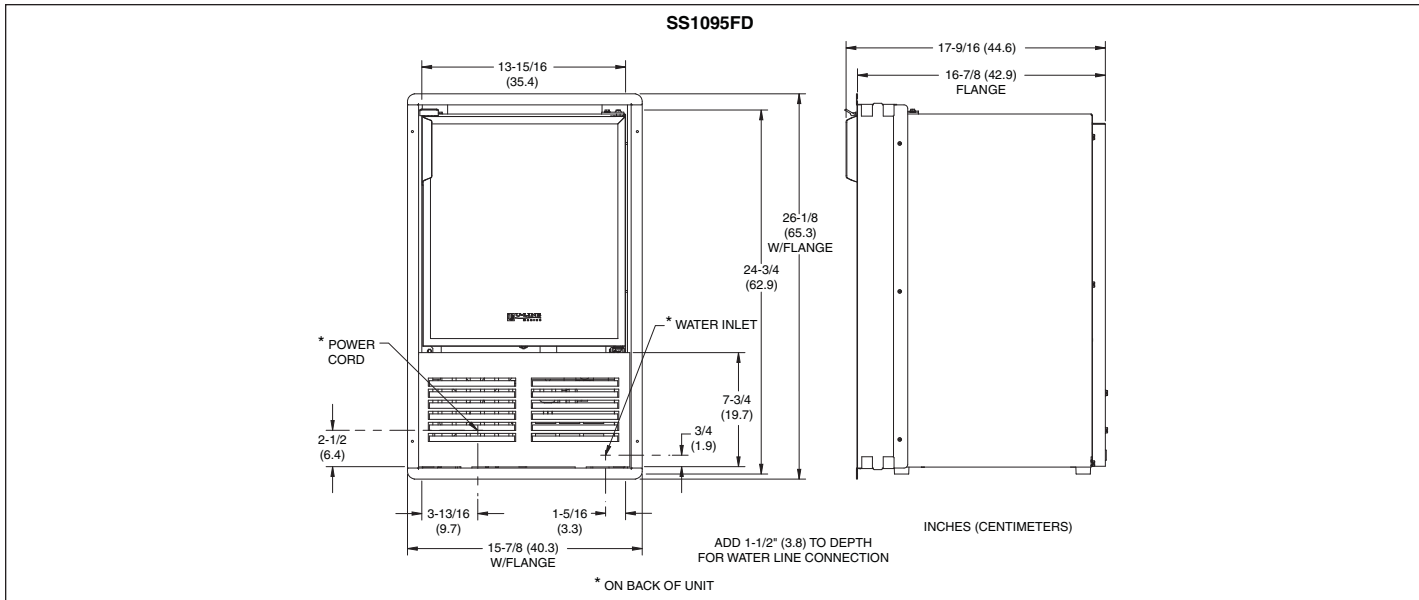
BENEFITS

- Offers a sharp, clean, elegant look and stands up to the environment.
- Customize the installation and look that best fits your needs.
- Automatically engages when door is closed and allows opening with one hand. Door can also be propped open when not in use.
- Produces up to 23 lbs. of ice per day and stores 12 lbs. of ice.
- Allows for easy and convenient installation. Only needs 1/4 in. outside diameter water line connection.
- No need for extra fans, air space or special venting to the outside of the cabin. **Do not obstruct front grille.**
- Only 2-3/4 gallons of water required to produce approximately 22 lbs. of ice.
- Uses less electricity than a 75-watt light bulb.
- Flexible installation options.
- Hinges and fasteners are stainless steel to resist corrosion.

ADDITIONAL INFORMATION:

- Available in 110/115V 60 cycle or 220/230V 50/60 cycle
- Transparent, high-impact polycarbonate, removable ice bucket
- Shipping weight: SS1095FD 66 lbs
SS1095FC 64 lbs
SS1095NF 62.5 lbs
- Manual defrost
- Running amps: 2.5
- Maximum start-up amps: 18.0

All specifications subject to change without notice.



All specifications subject to change without notice.