

ICEMAKER SERIES



ADA15IM



BI2115



WH95



BI98



SPI8



SS1095



SS98



BI95

I Table of Contents

Safety Precautions	
Safety Alert Definitions.....	2
General Precautions	2
Inspect & Plan	
Product Registration	3
Models Covered.....	3
Tools / Material Required	3
Exterior Cleaning	3
Prepare Site	
Cut-Out Dimensions.....	4
ADA15IM Models	4
BI-95(B)(WH) Models.....	4
BI-98 Models	4
BI-2115 Models.....	4
SP-18 Models.....	4
SS-1095NF Models.....	5
SS-1095FC Models.....	5
SS1095FD	5
BCM95 Models	5
WH95TP Models	5
B95BTP.....	5
Product Dimensions	
ADA15IM BI95 95TP BCM95 BI98 BI2115.....	6
SS1095 SPI8 BCM95 WH95 SS1095NF.....	7
Door Swing Dimensions.....	8
Other Site Requirements	
Power Supply	8
Water Supply	8
Environmental Requirements	8
Door Reversal	
BI95 & BI98.....	9
WH95TP, BI95BTP, BCM95 & SPI8	10
SS1095	11
Door Panel Installation	
Door Panel Preparation.....	13
Panel Dimensions.....	13
Door Panel Installation (98, SPI8, & ADA15).....	13
Power Supply	
Electrical Specifications	14
Adjust Door	
Checking Door Alignment.....	14
Adjusting Door Alignment.....	14
Plumbing	
Water Supply Connection	15
Install	
Leveling Information	16
Installation.....	16
Grille Installation	16
Installation Troubleshooting.....	17

2 Safety Precautions

IMPORTANT

- **PLEASE READ** all instructions before installing, operating, or servicing the appliance.
- Proper installation procedures must be followed when completing an installation or relocation of a unit. Consult the installation guide before any installation begins. U-Line contact information appears on the rear cover of this guide.
- This unit requires connection to a dedicated 15 Amp grounded (three-prong), polarized receptacle, installed by a qualified electrician, compliant with applicable electrical codes.

Safety Alert Definitions

Throughout this guide are safety items labeled with a Danger, Warning or Caution based on the risk type:

DANGER

Danger means that failure to follow this safety statement will result in severe personal injury or death.

WARNING

Warning means that failure to follow this safety statement could result in serious personal injury, property or equipment damage.

CAUTION

Caution means that failure to follow this safety statement may result in minor or moderate personal injury, property or equipment damage.

General Precautions

Use this appliance for its intended purpose only and follow these general precautions with those listed throughout this guide:

DANGER

RISK OF CHILD ENTRAPMENT. Before you throw away your old refrigerator or freezer, take off the doors and leave shelves in place so children may not easily climb inside.

WARNING

SHOCK HAZARD - Electrical Grounding Required.

- Never attempt to repair or perform maintenance on the unit until the electricity has been disconnected.
- Never remove the round grounding prong from the plug and never use a two-prong grounding adaptor.
- Altering, cutting of power cord, removal of power cord, removal of power plug, or direct wiring can cause serious injury, fire and or loss of property and or life, and will void the warranty.
- Never use an extension cord to connect power to the unit.
- Always keep your working area dry.

WARNING

Install provided Anti-Tip kit on all Wine Captain Models and Beverage Centers. Serious personal injury could occur.

CAUTION

- Use care when moving and handling the unit. Use gloves to prevent personal injury from sharp edges.
- If your model requires defrosting, **DO NOT** use an ice pick or other sharp instrument to help speed up defrosting. These instruments can puncture the inner lining or damage the cooling unit. **DO NOT** use any type of heater to defrost. Using a heater to speed up defrosting can cause personal injury and damage to the inner lining.

IMPORTANT

- Do not lift unit by door handle.
- Never install or operate the unit behind closed doors. Be sure front grille is free of obstruction. Obstructing free airflow can cause the unit to malfunction and will void the warranty.
- Failure to clean the condenser every six months can cause the unit to malfunction. This could void the warranty.
- Allow unit temperature to stabilize for 24 hours before use.
- Do not Block any internal Fans

Use only genuine U-Line replacement parts. Imitation parts can damage the unit, affect its operation or performance and may void the warranty.



Product Registration

You have received a carton containing your ice maker unit with a package inside containing a Use and Care Guide, a Product Registration Card, and a water line kit. Please complete and mail the Product Registration Card or register online at www.U-LineService.com. Once your unit is installed, keep the Use and Care Guide and this Installation Guide in a safe place for future reference.

Models Covered

This installation guide covers the following models

U-ADA15IMB-00	ULN-BI98B-00
U-ADA15IMS-00	ULN-BI95WH-00
U-ADA15IMS-01	ULN-SP18B-03
U-BI2115B-00	ULN-SP18WH-03
U-BI2115S-00	ULN-SS1095FC-03
U-BI2115S-01	ULN-SS1095FD-03
U-BI2115SOD-00	ULN-SS1095NF-03
U-BI2115SOD-01	ULN-SS95-03
U-BI2115W-00	ULN-SS98-03
ULN-BI95B-00	ULN-WH95TP-03
ULN-BI95WH-00	

Please carefully follow the directions that apply to your unit and your intended design.

Tools / Material Required

- Screwdrivers — slotted and Phillips head
- 1/4-inch thick door panel material and cutting tools (If installing a 1/4" Panel)
- 1/4" Nut Driver
- 5/16" Nut Driver
- Side Cutter
- Copper tubing cutter
- 12" Level
- 9/16" Open end wrench
- 7/16" Open end wrench
- Pliers
- Copper tubing

A complete water hook up kit is also available for purchase from your dealer. Order U-Line Part No. WATERHOOKUP.

Exterior Cleaning

Black and White Models:

- Black and White surfaces may be cleaned with a mild detergent and warm water solution. Do not use solvent-based or abrasive cleaners. Use a soft sponge and rinse with clean water. Wipe with a soft, clean towel to prevent water spotting.

Stainless Models:

- Stainless door panels, handles and frames can discolor when exposed to chlorine gas, pool chemicals, salt water or cleaners with bleach.
- Keep your Stainless unit looking new by cleaning with a good quality all-in-one stainless steel cleaner/polish on a monthly basis. For best results use Claire Stainless Steel Polish and Cleaner, which can be purchased from U-Line Corporation (Part numbers 173348). Frequent cleaning will remove surface contamination that could lead to rust. Some installations may require cleaning on a weekly basis.
- **Do not clean with steel wool or abrasive pads.**
- **Do not use cleaners that are not specifically intended for stainless steel on stainless surfaces (this includes glass, tile and counter cleaners).**
- If any surface discolors or rust appears, clean it quickly with Bon-Ami or Barkeepers Friend Cleanser and a non-abrasive cloth. Always clean in the direction of the grain. Always finish this process with Claire Stainless Steel Polish and Cleaner or comparable product to prevent further problems.



Rust that is allowed to linger can penetrate into the surface of the stainless steel and complete removal of the rust may not be possible.

4 Prepare Site

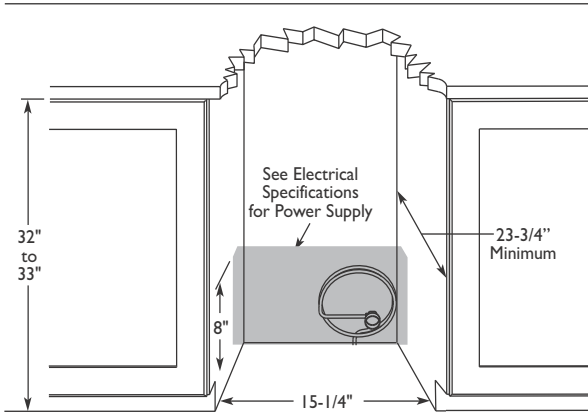
Your U-Line product has been designed for either free-standing or built-in installation. When built-in, your unit does not require additional air space for top, sides or rear. However, the front grille must NOT be obstructed and clearance is required for an electrical and water connection in the rear.

IMPORTANT

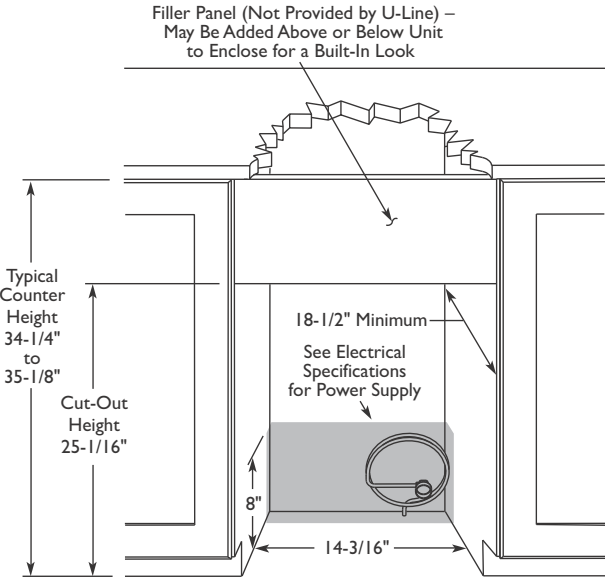
Units can NOT be installed behind a closed cabinet door.

Cut-Out Dimensions

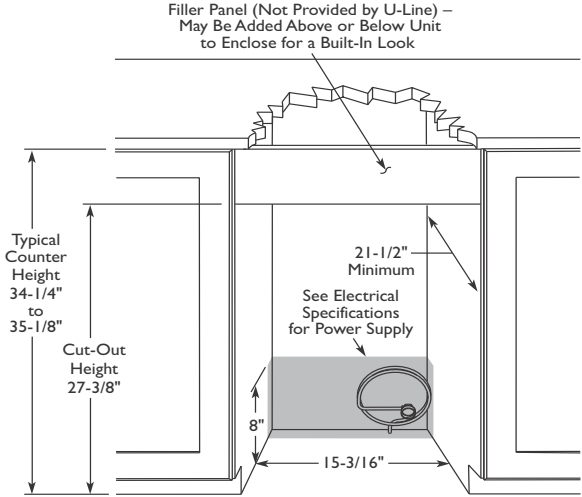
ADA15IM Models



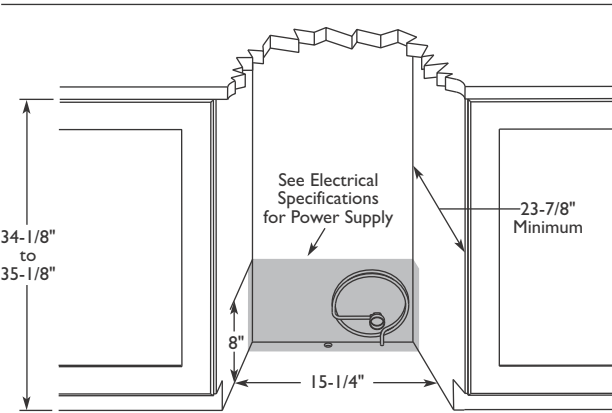
BI-95(B)(WH) Models



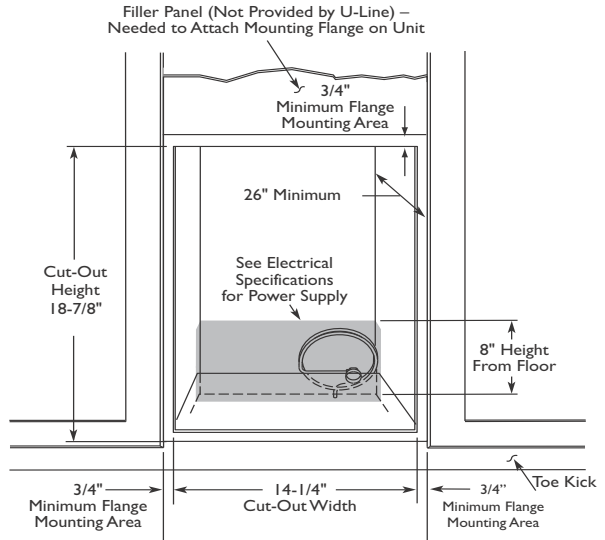
BI-98 / SS-98 Models



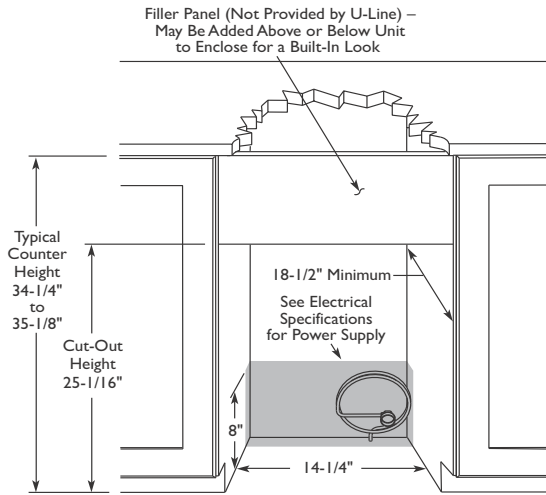
BI-2115 Models



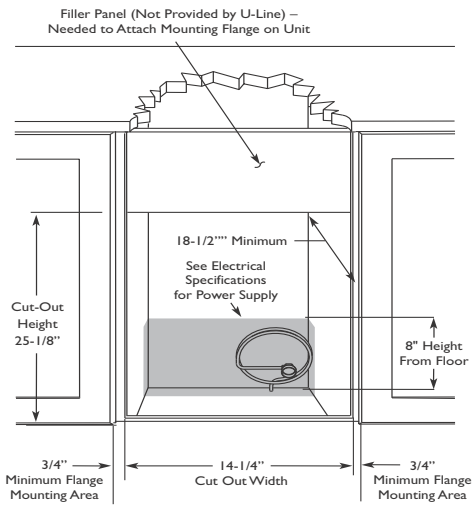
SP-18 Models



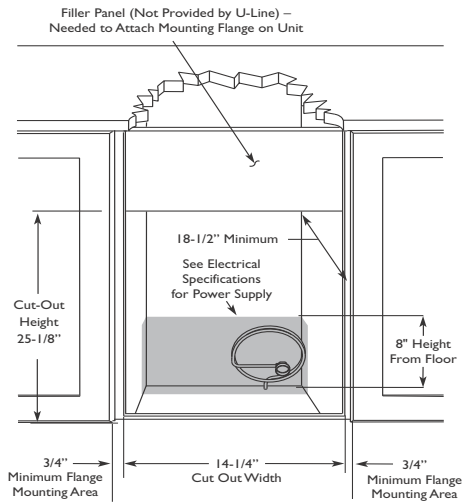
SS-1095NF Models



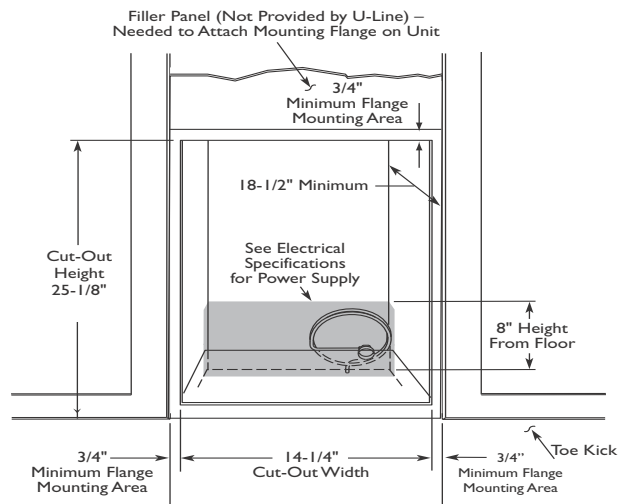
BCM95 Models



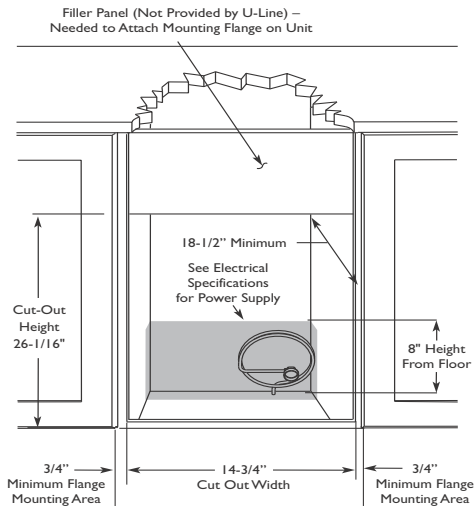
SS-1095FC Models



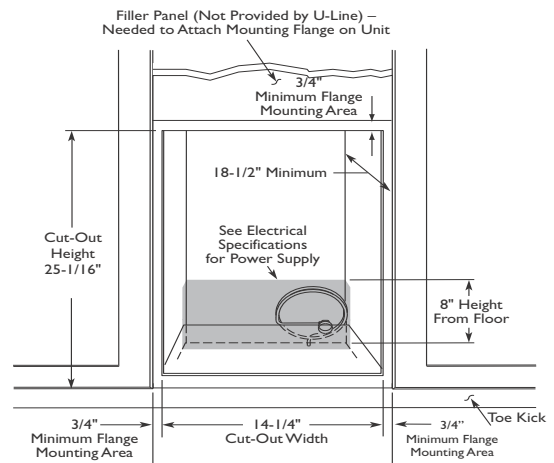
WH95TP Models



SSI095FD

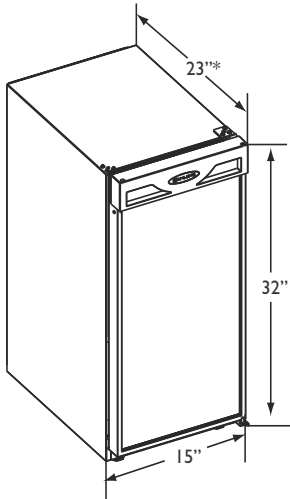


BI95BTP



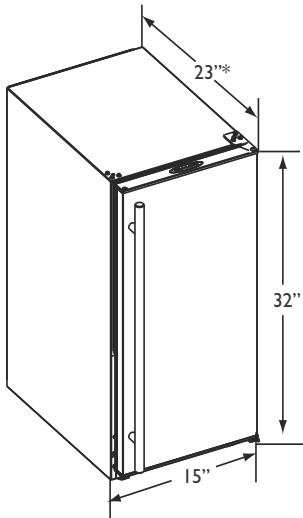
5 Product Dimensions

ADA15IM Series



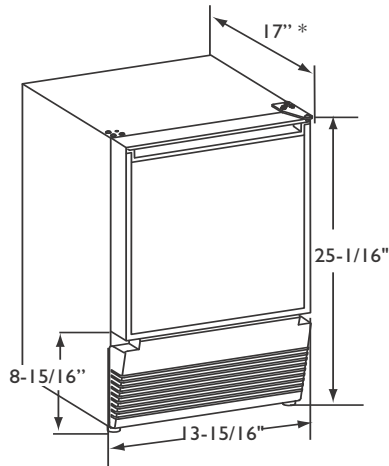
*Add 3/4" To Depth For Water Line Clearance

ADA15IM Stainless Series



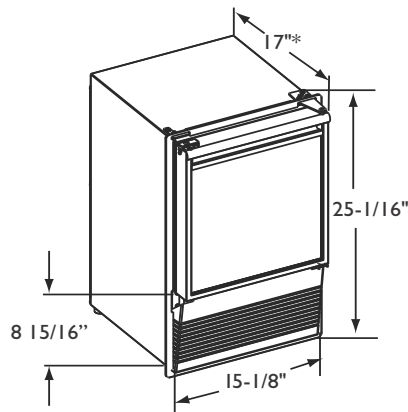
*Add 3/4" To Depth For Water Line Clearance

BI95(B)(WH)



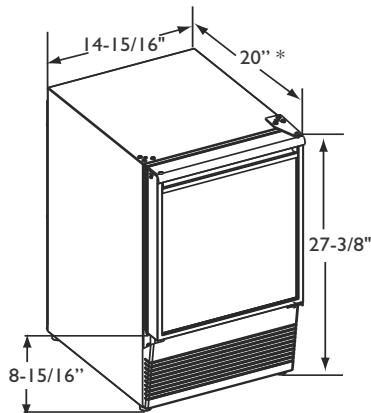
*Add 1-1/2" For Water Line Clearance

BI95BTP



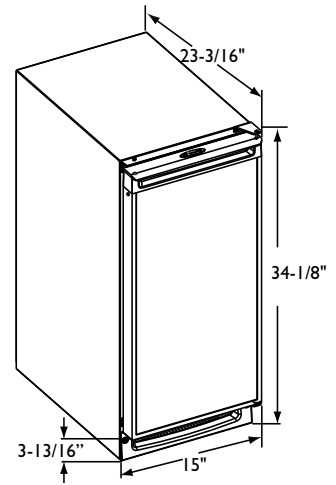
*Add 1-1/2" For For Water Line Clearance

BI98 & SS98



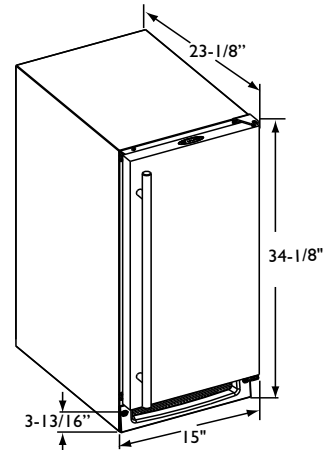
*Add 1-1/2" For For Water Line Clearance

BI2115



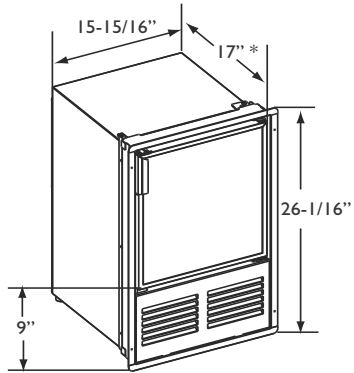
*Add 5/8" For Water Line Clearance

BI2115 Stainless



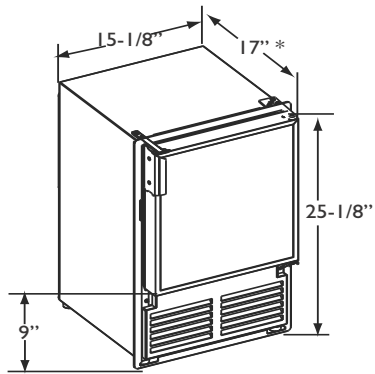
*Add 5/8" For Water Line Clearance

SSI095FD



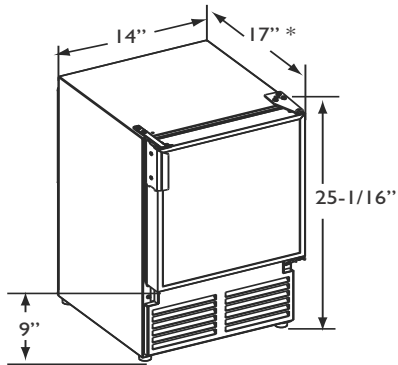
*Add 1 1/2" For Water Line Clearance

SSI095FC



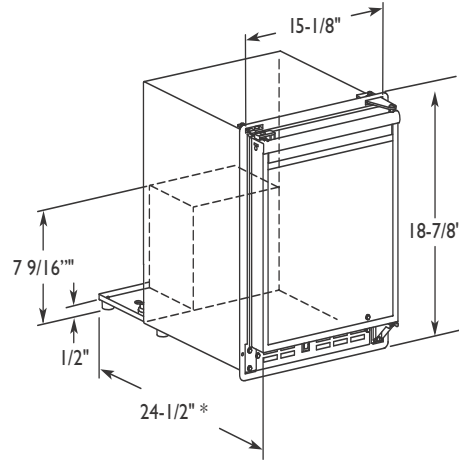
*Add 1 1/2" For Water Line Clearance

SSI095NF



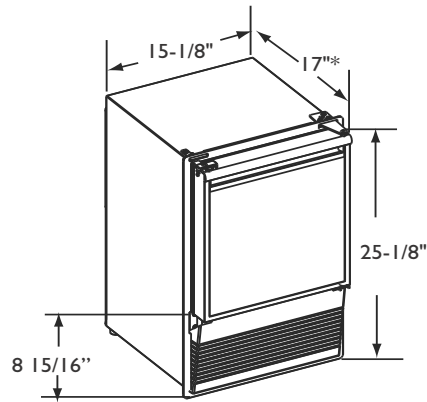
*Add 1 1/2" For Water Line Clearance

SP18



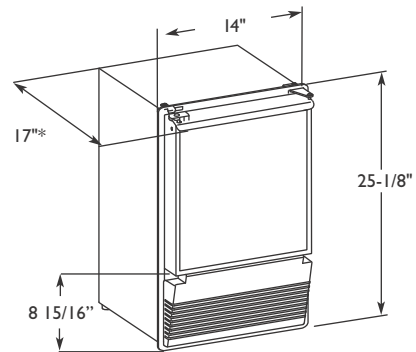
*Add 1-1/2" For Water Line Clearance

BCM95



*Add 1-1/2" For For Water Line Clearance

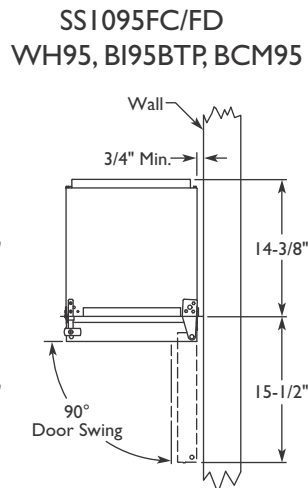
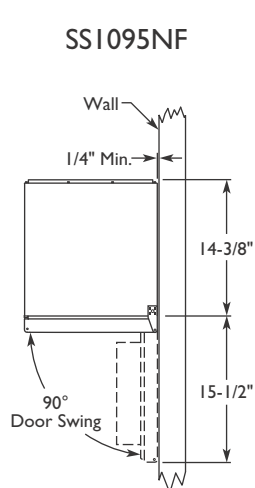
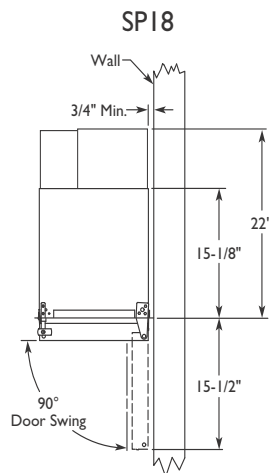
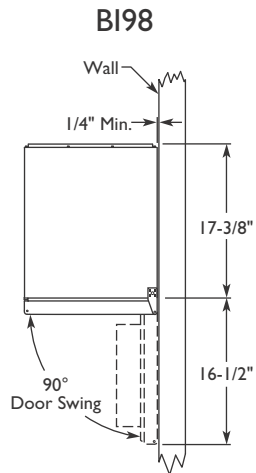
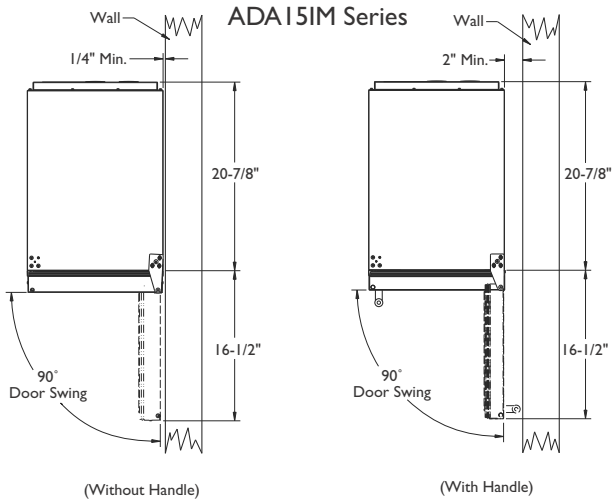
WH95TP



*Add 1-1/2" For For Water Line Clearance

Door Swing Dimensions

All units have a zero clearance for the door to open 90°. U-Line recommends a minimum door clearance of 2" to accommodate the handle if the unit is installed next to a wall or similar type of structure.



6 Other Site Requirements

Power Supply

Units require a grounded and polarized 115 VAC, 60 Hz, 15A circuit (normal household current). See Electrical Specifications on Page 14.

Water Supply

Units require a 1/4" OD water supply line and a shut off valve. For more information see page 15

Environmental Requirements

Units are designed to operate between 50°F (10°C) and 100°F (37°C). High ambient temperatures (100°F [37°C] or higher) may reduce the unit's ability to reach low temperatures and may also reduce the ice production rate for those models with ice makers.

If the ambient temperature is expected to drop below 45°F (7°C), drain all water from the unit to prevent freezing damage, which is not covered by the warranty.

For best performance, keep the unit out of direct sunlight and away from heat generating equipment.

For best performance and life outdoors, place under a counter or provide shelter of some kind.

In climates where high humidity and dew points are present, condensation may appear on outside surfaces. This is considered normal. The condensation will evaporate when the humidity drops.

7 Door Reversal

BI95 & BI98

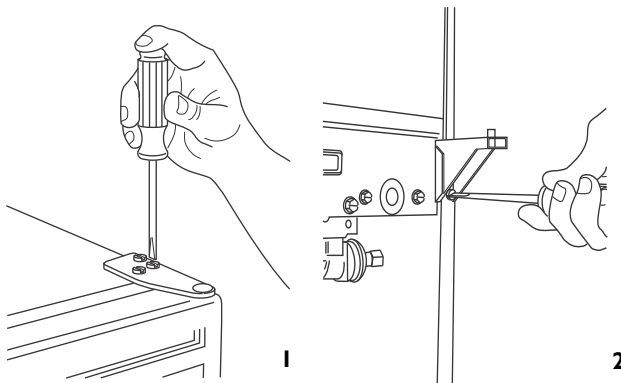
Reversing the Door

All units may be left- or right-hand opening.

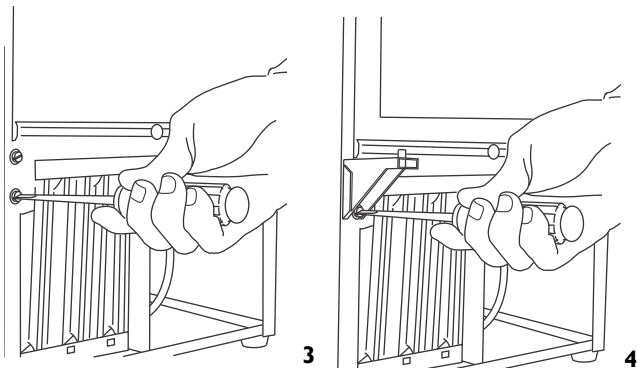
Note: The grille should not yet be installed. If it has been installed, remove it for door reversing.

To reverse the door:

1. Remove top hinge from cabinet (three screws). See **Figure 1**. Hold door to keep it from falling.
2. Lift the door off the bottom hinge.

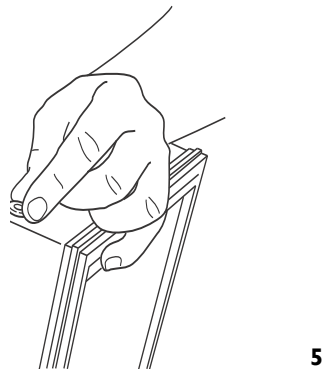


3. Remove bottom hinge from cabinet (two screws). See **Figure 2**. Remove screws on opposite side of cabinet (**Figure 3**). Note that there may be a nut behind one or both screws on either side.

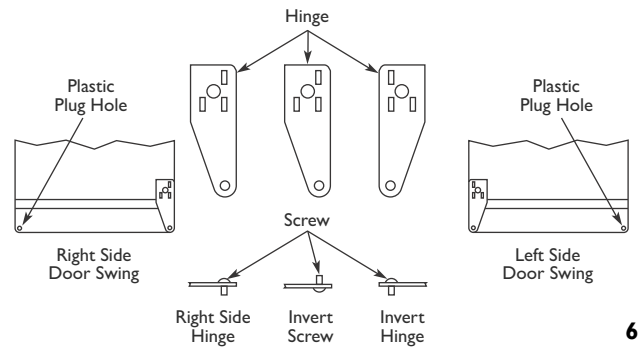


4. Install hinge on opposite side, bottom of cabinet. See **Figure 4**. Replace nut on back side where installed. Align hinge outer edge with cabinet before tightening screws.

5. Relocate plastic spacer/bushing on bottom of door to opposite side, and place door on bottom hinge pin. See **Figure 5**. Clean out bushing hole in door bottom with a screwdriver if necessary.



6. Remove plastic hole plug from door handle and relocate on opposite side. See **Figure 6**.



7. Remove pivot screw from top hinge, invert screw and reinstall pivot screw in top hinge. See **Figure 7**.

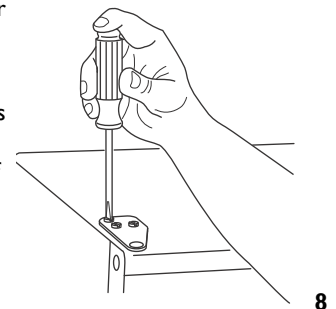
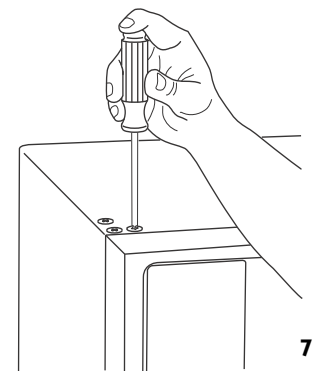
8. Remove three plastic screw plugs from hinge holes, top of cabinet, opposite side. Be careful not to scratch cabinet. See **Figure 8**.

9. Place door on lower hinge pin. Invert and install upper hinge on door.

10. Fasten upper hinge to unit (three screws). Partially tighten screws. See **Figure 9**.

11. Adjust door to assure proper seal. Tighten upper and lower hinge screws securely.

12. Replace three plastic plugs removed in **Step 8** into holes on top of unit. Replace screws in holes in bottom of unit on opposite side.



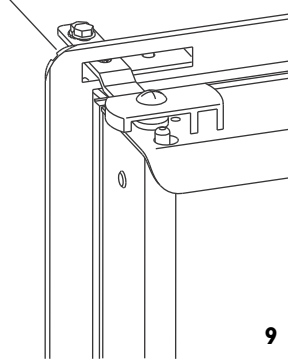
WH95TP, BI95BTP, BCM95 & SP18

Reversing The Door

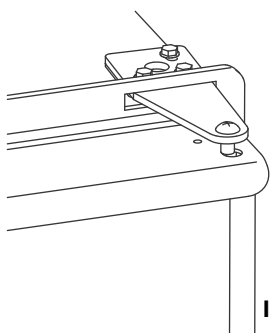
All units may be left- or right-hand opening.

To reverse the door:

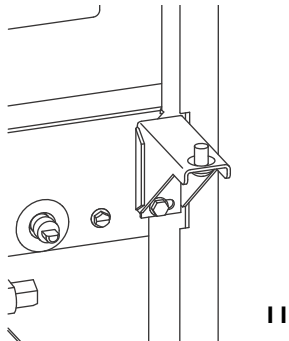
1. Remove travel pin from cabinet (two screws). See **Figure 9**. Slide assembly through flange and set aside to be used later.
2. Remove top hinge from cabinet (three screws). See **Figure 10**. Hold door to keep it from falling. Slide hinge through flange.
3. Lift the door off the bottom hinge.
4. Remove bottom hinge from



9

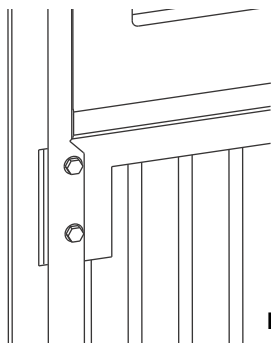


10

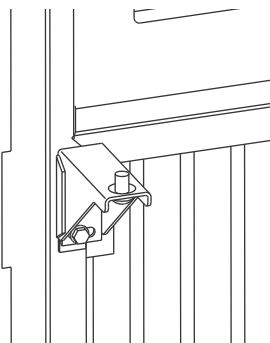


11

cabinet (two screws). See **Figure 11**. Remove screws on opposite side of cabinet (**Figure 12**). Note that there may be a nut behind one or both screws on either side.



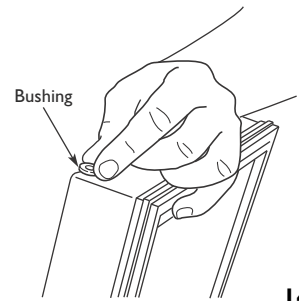
12



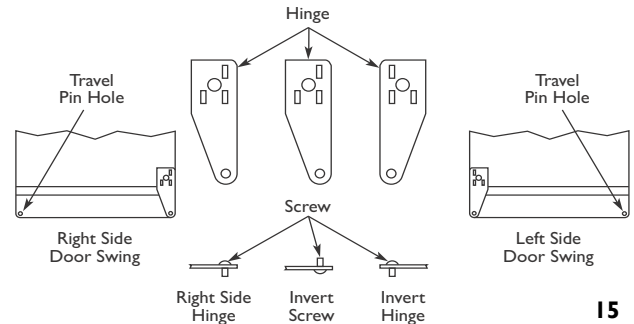
13

5. Install hinge on opposite side, bottom of cabinet. See **Figure 13**. Replace nut on back side where installed. Align hinge outer edge with cabinet before tightening screws.

6. Relocate plastic spacer/bushing on bottom of door to opposite side, and place door on bottom hinge pin. See **Figure 14**. Clean out bushing hole in door bottom with a screwdriver if necessary.
7. Remove plastic travel pin from door handle and relocate on opposite side. See **Figure 15**.

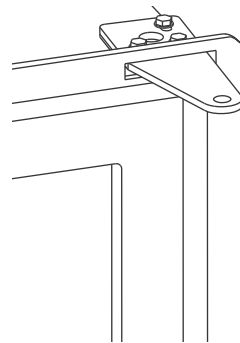


14

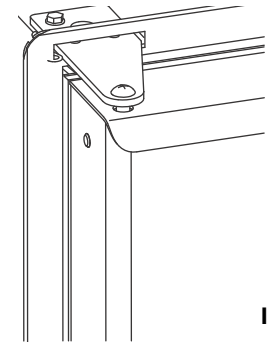


15

8. Remove pivot screw from top hinge, invert screw and reinstall pivot screw in top hinge. See **Figure 16**.



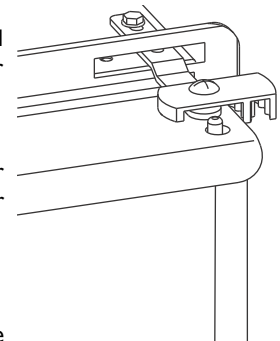
16



17

9. Gently slide upper hinge through flange and fasten upper hinge to unit (three screws). Partially tighten screws. See **Figure 17**.
10. Place door on lower hinge pin.

11. Align door pivot hole with pivot hole in upper hinge and insert pivot screw into upper hinge and tighten securely. See **Figure 18**.



18

12. Adjust door to assure proper seal. Tighten upper and lower hinge screws securely.
13. Gently slide travel pin assembly through flange and then fasten to unit. Make sure travel pin in door engages the closer in the assembly, then tighten screws on travel pin assembly securely.

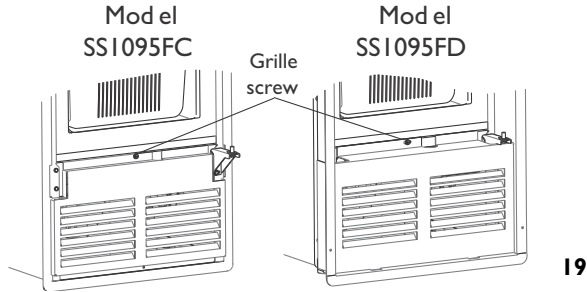
SS1095

Reversing the Door

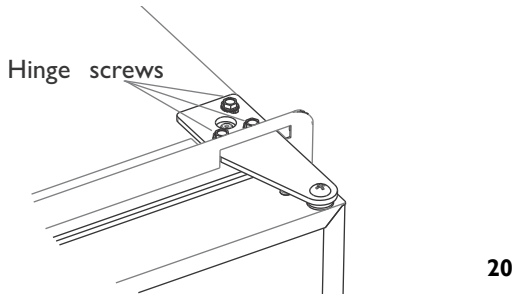
Depending upon the location of the unit, it may be desirable to change the side on which the door is mounted.

To reverse the door mounting, perform the following:

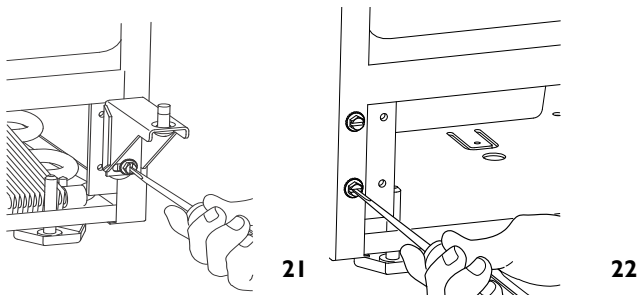
1. Remove grille (one screw) (**Figure 19**).



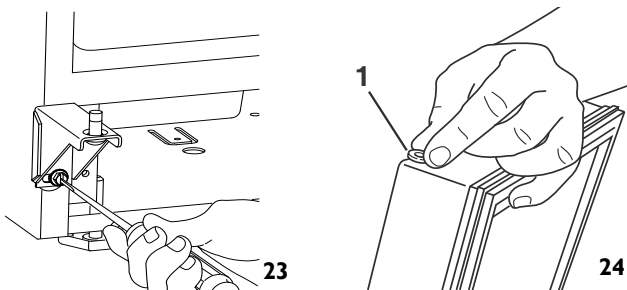
2. Remove top hinge from cabinet (three screws) (**Figure 20**). Hold door to keep it from falling.



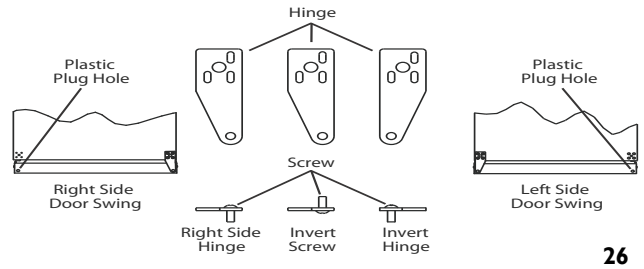
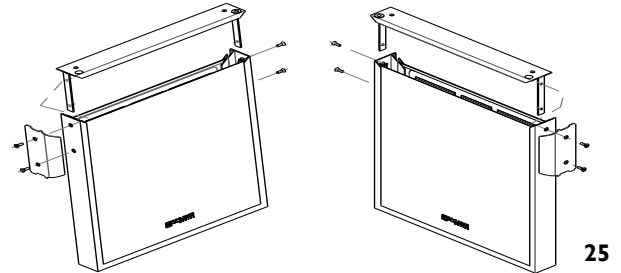
3. Lift the door off the bottom hinge.
4. Remove bottom hinge from cabinet (two screws) (**Figure 21**).



5. Remove screws on opposite side of cabinet (**Figure 22**).
6. Install hinge on opposite side, bottom of cabinet (**Figure 23**). Align hinge outer edge with cabinet before tightening screws.

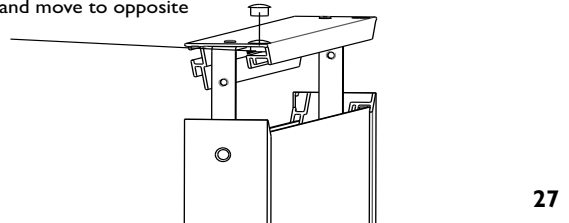


7. Relocate plastic spacer/bushing (**Figure 24**) on top and bottom of door to opposite side. Clean out bushing hole in door bottom with a screwdriver if necessary.
8. Using a Phillips screwdriver, remove the two screws holding the custom stainless handle from the original location, and remove the handle. Remove the two screws on the opposite side of the door (**Figure 25**). Do not place handle on door until you have completed, steps 9 & 10.

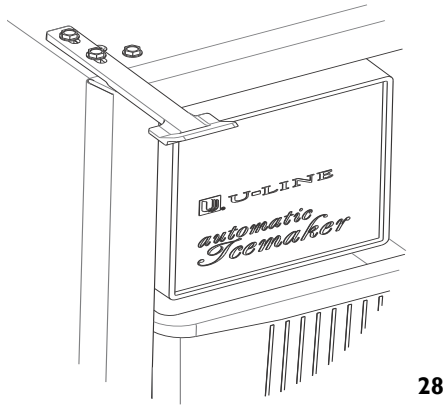


9. Remove plastic hole plug (**Figure 26**) from door handle and relocate on opposite side. Lift the handle slightly and press on the locking tab, then gently pry the hole plug out of the hole being careful not to scratch the top cap.

Press in locking tab, then lightly pry up to remove hole plug and move to opposite side



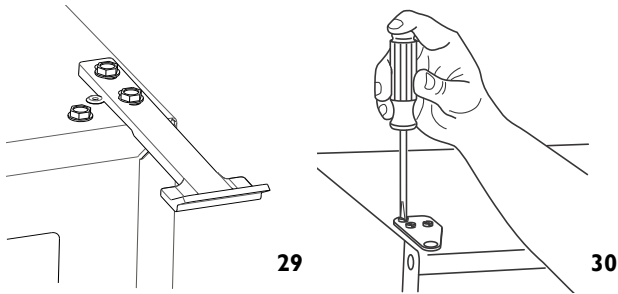
10. Relocate plastic spacer/bushing on top of door that was underneath the hinge to the opposite hole in top cap
11. Attach handle removed in **step 7** to opposite side of door frame. Be sure to tighten all four screws removed in **step 7**.
12. Remove pivot screw from top hinge, invert screw and reinstall pivot screw in top hinge (**Figure 27**).



28

13. Remove all three screws on the opposite side of the hinge and carefully lift off the door latch assembly (**Figure 28**).

14. Place the door latch assembly on opposite side of unit (**Figure**



29

30

29). Be sure to tighten all three screws securely.

15. Place door on lower hinge pin. Invert and install upper hinge on door. Fasten upper hinge to unit (three screws (**Figure 30**)). Partially tighten screws.

16. Adjust door to assure proper seal. Tighten upper and lower hinge screws securely.

17. Replace screws in holes in bottom of unit on opposite side.

18. Replace the grille.

8 Door Panel Installation

Door Panel Preparation

BI-95, BI-2115B(WH), WH95BTP

A custom door panel may be inserted into the doorframe. Custom door panels can be flat or raised, as long as the maximum panel thickness, when inserted into the door reveal (channel), is no more than 1/4" thick. For raised panels, the depth of the reveal is 1/4" on all four sides.

IMPORTANT

Raised panels will reduce the door's 90° swing/zero clearance if the unit is installed next to a wall or similar type of structure.

Panel Dimensions.

The door panel must not weigh more than 20 lbs.

Model	Width	Height
BI-95	12 15/16"	13 15/32"
BI-2115	14 1/32"	27 11/16"
BI95BTP	12 15/16"	13 15/32"

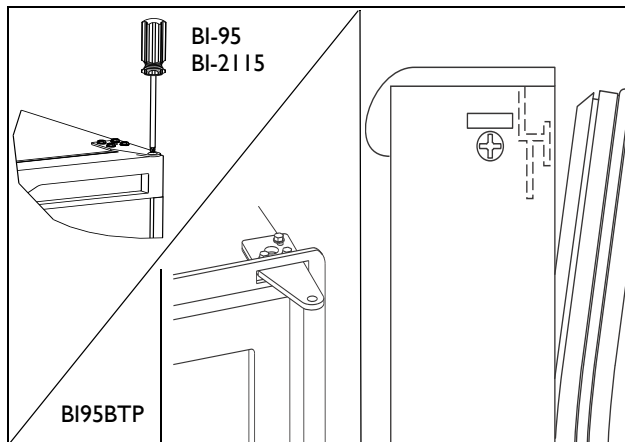
Door Panel Installation (98, SPI8, & ADA15)

Install the insert as follows:

CAUTION

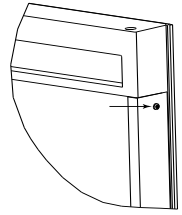
Use care when handling the insert. Insert edges may be sharp.

1. Remove top hinge screw pin with Phillips head screwdriver. Remove door by tilting forward and lifting off bottom hinge pin.
2. Pull door gasket out of groove (top edge of door only). Start in the middle and pull outward, moving toward the edge. This may



take some force.

3. Remove the two outside screws holding door handle. Slightly separate door handle from door.
4. Pull handle up and off.
5. Slide custom door panel insert into 1/4-inch channel in door front.



IMPORTANT

Some units include a magnet on the bottom of the door. Use care not to damage magnet, when installing door insert. Do not set door on bottom edge when pushing insert into place.

6. Holding door gasket out of the way, replace handle on door, making sure it is seated properly on insert and that screw holes line up.
7. Install two small screws removed in **Step 3**.
8. Starting at the corners and working inward, push door gasket into place on door.
9. Place door on bottom hinge pin and install upper hinge screw.

9 Adjust Door

Checking Door Alignment

The unit's door is aligned at the factory before shipment. However, its alignment could have been disturbed during shipment.

IMPORTANT

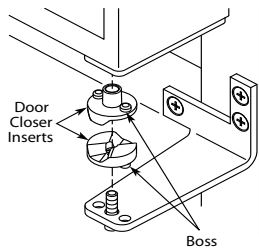
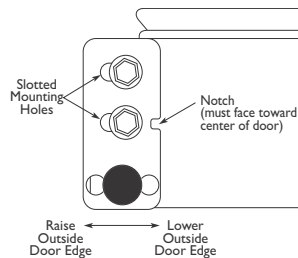
Properly aligned, the door's gasket should be firmly in contact with the cabinet all the way around the door (no gaps).

1. Carefully examine the door's gasket to assure that it is firmly in contact with the cabinet.
2. When inspecting door alignment, make sure the door gasket is not pinched on the hinge side of the door.

Adjusting Door Alignment

BI-2115

1. Remove top hinge screw pin. Remove door by tilting forward and lifting off bottom hinge pin.
2. With door upside-down, loosen but do not remove the two screws on the door's bottom hinge plate.
3. If the top far edge of the door needs to move UP, move the hinge plate toward the outside of the door and retighten screws. If the top far edge of the door needs to move DOWN, move the hinge plate toward the inside of the door and retighten screws.
4. Mount the door to recheck alignment and repeat Steps 2 and 3 if further adjustment is necessary.
5. When top edge of door is parallel to top edge of cabinet, remove the door and ensure the two screws are secure.
6. Remove the door closers from the bottom hinge, clean thoroughly and lubricate the mating surfaces with petroleum jelly.
7. Reinstall the closers, lining up the bosses with holes in hinge and hinge plate.
8. Mount the door, install top hinge pivot pin



All Other Models

1. Loosen (do not remove) top and bottom hinge screws.
2. Align door squarely with cabinet. Make sure gasket is firmly in contact with cabinet all the way around the door (no gaps).
3. Tighten bottom hinge screws.
4. Tighten top hinge screws.

10 Power Supply

Electrical Specifications

⚠ WARNING

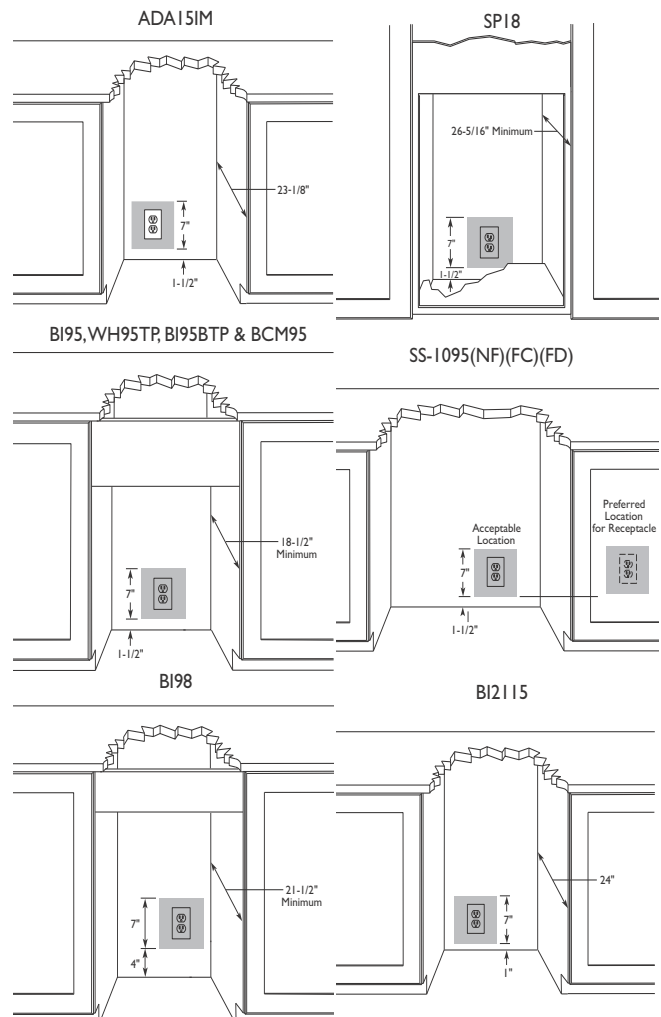
SHOCK HAZARD — Electrical Grounding Required.

- Never remove the round grounding prong from the plug and never use a two-prong grounding adapter.
- Never use an extension cord to connect power to the unit.

IMPORTANT

Electrical installation must observe all state and local codes. This unit requires connection to a grounded (three-prong), polarized receptacle that has been placed by a qualified electrician.

The unit requires a grounded and polarized 115 VAC, 60 Hz, 15A power supply (normal household current). An individual, properly grounded branch circuit or circuit breaker is recommended. GFCI (ground fault circuit interrupter) is usually not required for fixed location appliances and is not recommended for your unit because a GFCI could be prone to nuisance tripping. However, be sure to consult your local codes.



II Plumbing

⚠ CAUTION

Plumbing installation must observe all state and local codes. All water and drain connections **MUST BE** made by a licensed/qualified plumbing contractor. Failure to follow recommendations and instructions may result in damage and/or harm.

Water Supply Connection

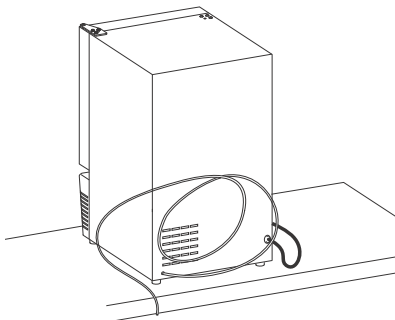
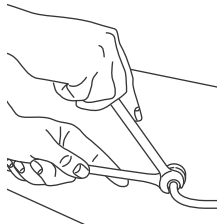
When connecting the water supply, follow these guidelines:

- Review the local plumbing codes before you install the unit.
- Connect to the cold water supply.
- The water pressure should be between 20 and 120 psi.
- The water line **MUST** have a shut-off valve in the 1/4" O.D. supply line.
- Leave approximately 8' of water line to be coiled behind the appliance. The water line should be looped into 2 coils. This will allow the unit to be removed for cleaning and servicing. However, make certain that the tubing is not pinched or damaged during installation.

IMPORTANT

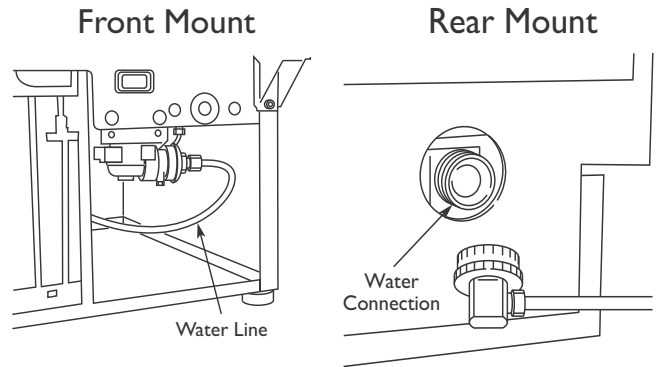
U-Line requires the use of copper tubing for installation. Do not use any plastic water supply line. The line is under pressure at all times. Plastic may crack or rupture with age and cause water damage to your home.

1. For units with front mounted water solenoids you must remove the grille
1. Install the 1/4 inch OD copper water line to the main water source.
2. Locate the compression fitting and ferrule packed with the unit. Slide the compression fitting and ferrule over the 1/4-inch OD water supply line. Do not use thread sealing compound or tape. Using two wrenches, tighten the compression fitting on the supply line.
3. Carefully bend the water supply line into position and connect the line to the solenoid valve. Avoid kinking the water supply line.



IMPORTANT

For units with front mounted water solenoids, route the water supply line through the unit so it does not come into contact with any internal components other than the solenoid valve. Normal operation creates some vibration. A water supply line contacting an internal component or cabinet wall can cause excessive noise during operation or damage to the line.



4. For recessed installations, allow extra water supply line length to provide slack for easy removal from the recessed area. This will also safeguard against kinking the line.

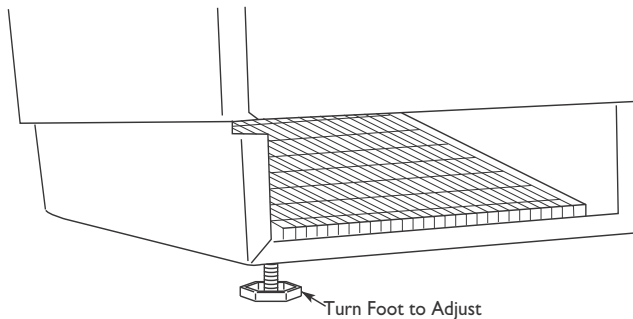
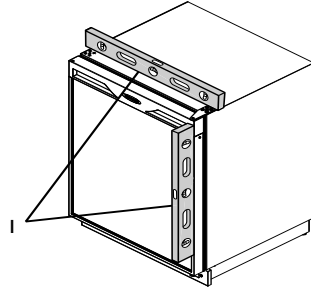
12 Install

Leveling Information

ADA15IM & B12115

It is recommended that the unit is level.

1. Use a level to check the levelness of the unit from front to back and from side to side. Level should be placed along top edge and side edge as shown
2. If the unit is not level, adjust the feet on the corners of the unit as necessary (not available in all models).



3. Check the levelness after each adjustment and repeat the previous steps until the unit is level.

INSTALLATION TIP

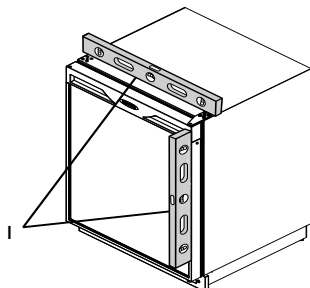
If the room floor is higher than the floor in the cut-out opening, adjust the rear feet to achieve a total unit rear height of 1/8" less than the opening's rear height. Shorten the unit height in the front by adjusting the front feet. This allows the unit to be gently tipped into the opening. Readjust the front feet to level the unit after it is correctly positioned in the opening.

All Other Models

IMPORTANT

It is extremely important that these units sit on a level surface, as they do not have feet levelers. If they are not level, the ice mold will not fill evenly.

Use a level to check the levelness of the unit from front to back and from side to side. Level should be placed along top edge and side edge as shown.



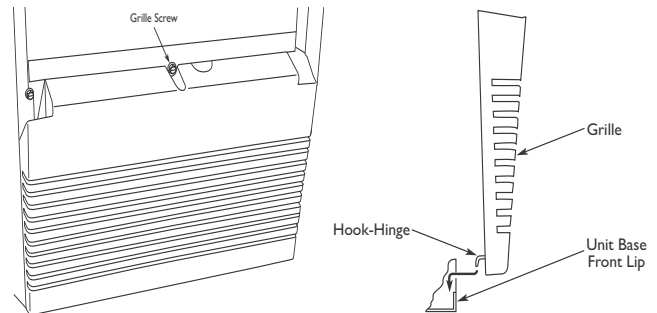
Installation

1. Open the water supply valve in the main water source.
2. Plug in the powercord.
3. Gently push the unit into position. Be careful not to kink the water supply line or entangle the electrical cord.
4. Re-check the leveling, from front to back and side to side. Make any necessary adjustments. The unit's top surface should be approximately 1/8" below the countertop.

Grille Installation

B195, B198, WH95TP, BCM95BTP, BCM95

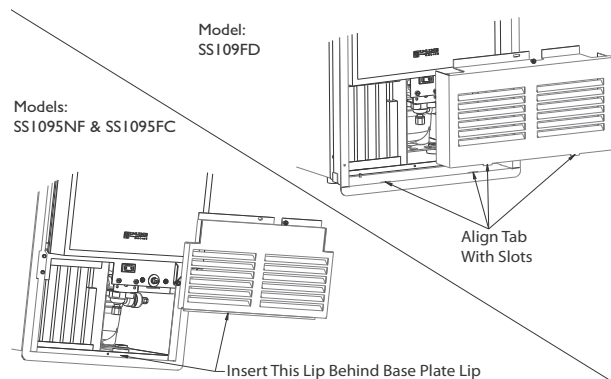
1. Locate and remove the grille screw from the cabinet, using a standard blade screwdriver (or a 1/4" nut driver).
2. Identify the grille screw hole on the grille itself. It is located toward the top of the middle recessed section of the grille.
3. Place the two hook-hinges (located on the rear bottom side of the grille) onto the front lip of the unit base. Swing the grille up into position, aligning the grille screw hole on the grille to the grille screw hole on the cabinet. See Below.
4. Insert the screw. Do not overtighten.



SS1095 Models

SS1095NF & SS1095FC models: Place the bottom lip of the grille on the inside of the base pan and swing grille up into position.

SS1095FD model: Align the tabs on the bottom of the grille with the slots in the flange and swing grille up into position.



Align the grille and cabinet screw holes.

Insert the grille screw and tighten. Do not over-tighten

Installation Troubleshooting

Q: Problem

Water is leaking under the unit.

A: Solution

A water leak under the unit is most likely caused by a bad connection in the water supply line. Make sure the water line's brass fitting is screwed tight to its valve and threaded correctly. Make sure that plumbers tape was NOT used; if it was remove all traces before reinstalling.

BI-2115 Specific

Q: Problem

The door remains open unless it is pushed closed.

A: Solution

The hinges should be self-closing when the door is open approximately 8". If this is not the case, make sure the closers are clean, greased and installed correctly. Also, re-check leveling from front to back of the unit and readjust if necessary. Make sure that pivot plate is installed correctly.

Q: Problem

The custom overlay door was designed to align with the rest of the cabinet doors, but the unit has crept forward.

A: Solution

Make sure that the electrical cord and water supply line are not obstructing the installation.

SERVICE INFORMATION

If you have a problem with this appliance, your use and care guide has troubleshooting information to help you quickly identify common problems and provide information on possible cause and remedy. Answers to Customers Frequently Asked Questions are available at www.u-line.com/customer/faq.cfm. You may contact U-Line directly:

GENERAL INQUIRIES:

U-Line Corporation
P.O. Box 245040
Milwaukee, Wisconsin 53224-9540 U.S.A.
Phone (414) 354-0300
FAX (414) 354-7905
Email: sales@u-line.com
www.u-line.com

SERVICE ASSISTANCE:

Phone (800) 779-2547
FAX (414) 354-5696
Email: onlineservice@u-line.com
www.u-lineservice.com

PARTS ASSISTANCE:

E-mail: onlineparts@u-line.com

ABOUT U-LINE

Building on 45 years, U-Line has captivated those with an appreciation for the finer things with exceptional design, inspired innovations and attention to even the smallest details.

U-Line is synonymous with premium built-in under counter ice making, refrigeration and wine storage appliances, the U-Line Corporation is committed to luxury under the counter. U-Line is known and respected for unwavering dedication to product innovation, quality and selection. A bold and broad line of models is the product of visionaries in the pursuit of distinctive living environments in the kitchen and spaces beyond.

In 1962, Henry Uihlein founded U-Line Corporation as an outgrowth of Ben-Hur Freezer Company and was the first to develop and patent an automatic stand-alone under counter residential ice maker. His foresight and determination to develop new ideas and to succeed when there were no clear guidelines or solutions are evident today. The Milwaukee, Wisconsin based family operated business provides continuity and vision from which innovations continue to be born.

Going forward, U-Line will continue offering best-in-class products that build on the company's numerous patents and world firsts to guide the under counter industry in realizing its unlimited potential.