

*Échelon™*

CLRC02075  
CLEAR ICE  
MAKER /  
REFRIGERATOR

U  
S  
E  
R  
M  
A  
N  
U  
A  
L



**U-LINE**  
CORPORATION

## U-LINE CORPORATION LIMITED WARRANTY

U-Line Corporation warrants each U-Line product to be free from defects in materials and workmanship for a period of one year from the date of purchase; and warrants the sealed system (consisting of the compressor, the condenser, the evaporator, the hot gas bypass valve, the dryer and the connecting tubing) in each U-Line product to be free from defects in materials and workmanship for a period of five years from the date of purchase. During the initial one-year warranty period for all U-Line products U-Line shall: (1) at U-Line's option, repair any product or replace any part of a product that breaches this warranty; and (2) for all Marine, RV and Domestic U-Line products sold and serviced in the United States (including Alaska and Hawaii)and Canada, U-Line shall cover the labor costs incurred in connection with the replacement of any defective part. During years two through five of the warranty period for the sealed system, U-Line shall: (1) repair or replace any part of the sealed system that breaches this warranty; and (2) for all Marine, RV and Domestic U-Line products sold and serviced in the United States (including Alaska and Hawaii)and Canada, U-Line shall cover the labor costs incurred in connection with the replacement of any defective part of the sealed system. All other charges, including transportation charges for replacements under this warranty and labor costs not specifically covered by this warranty, shall be borne by you. This warranty is extended only to the original purchaser of the U-Line product. The Registration Card included with the product should be promptly completed by you and mailed back to U-Line or you can register on-line at [www.U-LineService.com](http://www.U-LineService.com).

The following are excluded from this limited warranty: installation charges; damages caused by disasters or acts of God, such as fire, floods, wind and lightning; damages incurred or resulting from shipping, improper installation, unauthorized modification, or misuse/abuse of the product; customer education calls; food loss/spoilage; door and water level adjustments (except during the first 90 days from the date of purchase); defrosting the product; adjusting the controls; door reversal; or cleaning the condenser.

If a product defect is discovered during the applicable warranty period, you must promptly notify either the dealer from whom you purchased the product or U-Line at P.O. Box 23220, Milwaukee, Wisconsin 53223 or at 414-354-0300. In no event shall such notification be received later than 30 days after the expiration of the applicable warranty period. U-Line may require that defective parts be returned, at your expense, to U-Line's factory in Milwaukee, Wisconsin, for inspection. Any action by you for breach of warranty must be commenced within one year after the expiration of the applicable warranty period.

**This limited warranty is in lieu of any other warranty, express or implied, including, but not limited to any implied warranty of merchantability or fitness for a particular purpose; provided however, that to the extent required by law, implied warranties are included but do not extend beyond the duration of the express warranty first set forth above. U-Line's sole liability and your exclusive remedy under this warranty is set forth in the initial paragraph above. U-Line shall have no liability whatsoever for any incidental, consequential or special damages arising from the sale, use or installation of the product or from any other cause whatsoever, whether based on warranty (express or implied) or otherwise based on contract, tort or any other theory of liability.**

Some states do not allow limitations on how long an implied warranty lasts or the exclusion or limitation of incidental or consequential damages, so the above limitations may not apply to you. This warranty gives you specific legal rights, and you may also have other rights which vary from state to state.

---

---

## INTRODUCTION

Congratulations on your purchase of U-Line CLRC02075 Combination Ice Maker/Refrigerator. A pioneer in the field for nearly 40 years, U-Line is the world's number one manufacturer of built-in, under-counter ice making and specialty refrigeration products. U-Line dedicates 100% of its research and development to these products. The result: U-Line technology leads the market with innovation, design, depth of product line and performance.

U-Line also backs customers with a strong dealer network. U-Line's commitment to quality even extends to environmentally safe packaging. U-Line products are making life more convenient in homes, businesses, and hotels around the world.

### IMPORTANT

**PLEASE READ all instructions completely before attempting to install or operate the unit. All models of Ice Makers and Combos require a connection to the water supply. Improper hook-up can result in substantial property damage! If you are unsure of your ability to safely connect the water supply to the unit, consult a licensed plumber for assistance.**

Once you have your unit installed, we suggest you keep this manual in a safe place for future reference. Should any problems occur, refer to the **TROUBLESHOOTING** section of this manual. This information will help you quickly identify a problem and get it remedied. In the event you require assistance, please contact the dealer where you purchased your unit.

### PLEASE RECORD YOUR MODEL'S INFORMATION

Whenever you call to request information or service, you will need to know your model number and serial number. You can find this information on the serial plate located on the inside wall of your unit and on the product registration card.

### PRODUCT REGISTRATION CARD

The package containing this manual also includes your product registration information. Warranty coverage begins at the time your unit was purchased.

### NOTE

Complete and mail the Product Registration Card as soon as possible to validate the registration date. You may also register the product online at [www.U-LineService.com](http://www.U-LineService.com).

# User's Manual

---

---

If you do not return your Product Registration Card, U-Line will use the date of sale to the U-Line distributor as the first date of warranty for your unit. Please also record the purchase date of your U-Line unit and your dealer's name, address and telephone number.

Model Number: \_\_\_\_\_  
Serial Number: \_\_\_\_\_  
Purchase Date: \_\_\_\_\_  
Dealer Name: \_\_\_\_\_  
Dealer Address: \_\_\_\_\_  
Dealer Telephone: \_\_\_\_\_

Keep this manual and the sales receipt together in a safe place for further reference.

## TABLE OF CONTENTS

INTRODUCTION.....	1
SAFETY PRECAUTIONS .....	3
PRODUCT DIMENSIONS .....	5
DRAIN INSTALLATION .....	5
CONNECTING A DRAIN PUMP .....	8
SITE PREPARATION .....	9
BUILT-IN INSTALLATION.....	11
CONNECTING THE WATER SUPPLY .....	12
LEVELING THE UNIT .....	14
REVERSING THE DOOR .....	15
DOOR ADJUSTMENT .....	18
CUSTOM DOOR PANELS .....	20
INITIAL START-UP.....	22
CLEAR ICE MAKER OPERATION.....	25
PERIODIC CLEANING AND USER MAINTENANCE .....	30
DEFROSTING .....	36
STORAGE, VACATION AND MOVING .....	37
TROUBLESHOOTING .....	39
IF SERVICE IS REQUIRED .....	42

## SAFETY PRECAUTIONS

Do not attempt to install or operate your unit until you have read the safety precautions in this manual. Safety items throughout this manual are labeled with a Danger, Warning or Caution based on the risk type.

### DEFINITIONS



This is the safety alert symbol. It is used to alert you to potential personal injury hazards. Obey all safety messages that follow this symbol to avoid possible injury or death.



### **DANGER**



**DANGER** indicates an imminently hazardous situation which, if not avoided, will result in death or serious injury.



### **WARNING**

**WARNING** indicates a potentially hazardous situation which, if not avoided, could result in death or serious injury.



### **CAUTION**

**CAUTION** indicates a potentially hazardous situation which, if not avoided, may result in minor or moderate injury.

### **CAUTION**

**CAUTION** used without the safety alert symbol indicates a potentially hazardous situation which, if not avoided, may result in property damage.

### **IMPORTANT**

Indicates installation, operation or maintenance information which is important but not hazard-related.

# User's Manual

---

---

## GENERAL PRECAUTIONS



### **DANGER**



**RISK OF CHILD ENTRAPMENT.** Before you throw away your old refrigerator or freezer, take off the doors and leave shelves in place so that children may not easily climb inside.



### **WARNING**

- Never attempt to repair or perform maintenance on the unit until the electricity has been disconnected.
- Altering, cutting of power cord, removal of power cord, removal of power plug, or direct wiring can cause serious injury, fire and/or loss of property and/or life and will void the warranty.

### **CAUTION**

- Do not lift unit by door handle.
- Use care when moving the unit. Some edges are sharp and may cause personal injury. Wear gloves when moving or positioning the unit.
- Never install the unit behind closed doors. Be sure front grille is free of obstruction. Obstructing free air flow can cause the unit to malfunction, and may void the warranty.
- Allow unit temperature to stabilize for 24 hours before use.
- Never use an ice pick or other sharp instrument to help speed up defrosting. These instruments can puncture the inner lining or damage cooling unit.
- Failure to clean the condenser every three months can cause the unit to malfunction. This could void the warranty.

### **CAUTION**

- **DO NOT** use any type of heater to defrost. Using a heater to speed up defrosting can cause damage to the inner lining.
- Use only genuine U-Line replacement parts. Imitation parts can damage the unit, and may void the warranty.

## PRODUCT DIMENSIONS

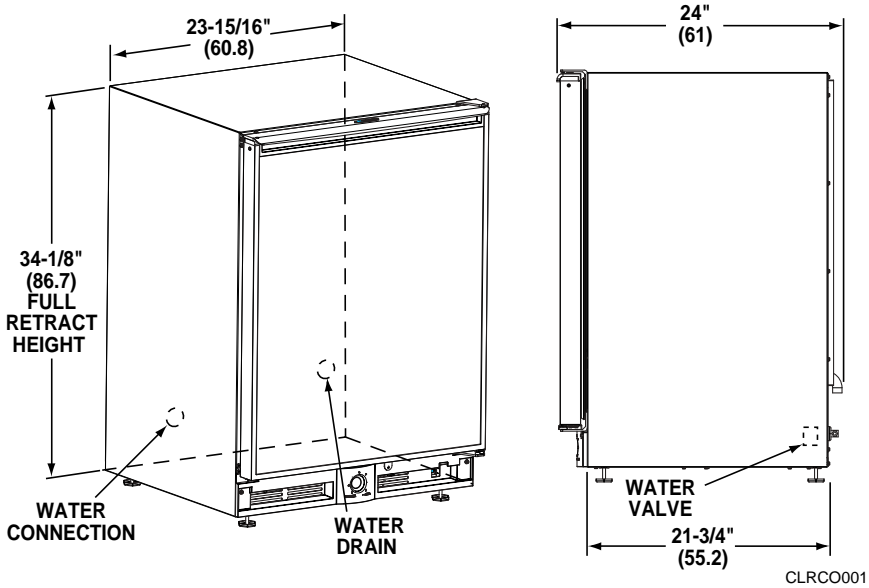


Figure 1

## DRAIN INSTALLATION

### IMPORTANT

**PLEASE READ** all instructions completely before attempting to install or operate the unit. All Ice Makers require a connection to the water supply and improper hook-up can result in substantial property damage! All water and drain connections **MUST BE** made by a licensed/qualified plumbing contractor. Failure to follow recommendations and instructions may result in damage and/or harm.

### CAUTION

Plumbing installation must observe all state and local codes. All water and drain connections **MUST BE** made by a licensed/qualified plumbing contractor. Failure to follow recommendations and instructions may result in damage and/or harm.

# User's Manual

The CLRC02075 can be installed using a gravity drain or can use a factory installed or equivalent drain pump.

Follow these guidelines when installing drain lines to prevent water from flowing back into the ice maker storage bin and/or potentially flowing onto the floor causing water damage:

## Gravity Drain

- Drain lines must have a 5/8 inch inside diameter.
- Drain lines must have a 1 inch drop per 48 inches of run (1/4 inch per foot) and must not create traps.
- The floor drain must be large enough to accommodate drainage from all drains.
- Insulate the bin drain line to prevent condensation.

## CLRC02075 With Factory Installed Drain Pump

### NOTE

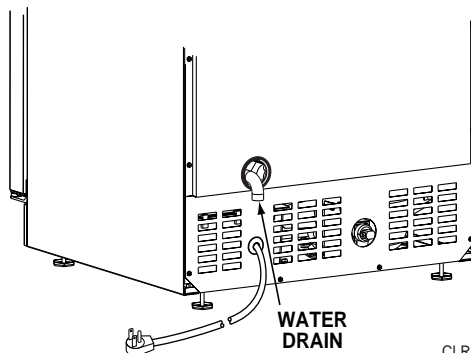
Before installing your U-Line CLRC02075 With Factory Installed Pump, it is extremely important to check and test all hose connections at the drain pump. There is a possibility that hose connections may have loosened during shipment.



## WARNING

To prevent accidental electrocution, make certain that the floor surfaces surrounding the unit are dry whenever power is removed from, or applied to the unit.

1. Make certain the unit is not plugged into an electrical outlet.
2. Carefully push the power cord grommet (Figure 2) through the hole in the back panel.

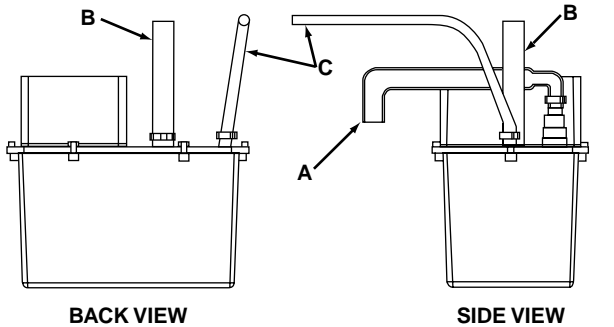


CLRC002

Figure 2



3. Remove screws securing back panel.
4. Check that the clamps and hose connections (Figure 3) are tight at the following areas:
  - Discharge tube (A)
  - Drain tube (B)
  - Vent tube (C)



CLRCO003

Figure 3

5. Place a suitable container beneath the pump's discharge tube. (The bucket must be able to hold a minimum of one gallon.)



## WARNING

Back panel serves as a guard. **DO NOT** remove the back panel unless it is to be serviced or procedure requires it to be removed. It must be in place during normal operation. Failure to follow this warning could result in serious personal injury or death.

6. Plug the ice maker power cord into a properly grounded, polarized electrical outlet.
7. Verify pump operation by pouring one gallon of water into the ice storage bin of the ice maker. The pump should energize and pump the water into the container.
8. At this time, verify that all tube and clamp connections are tight and leak free.
9. Unplug unit power cord from electrical outlet.
10. Leave back panel off for water supply line installation.
11. Continue to the next step in the installation process, **SITE PREPARATION**.

## CONNECTING A DRAIN PUMP

**If a gravity drain connection is not available, and you have not purchased the CLRCO2075 with factory installed pump, we strongly recommend the use of the U-Line P60 drain pump.** The U-Line P60 drain pump is available through your Dealer, or direct from U-Line with complete installation instructions. If a pump other than the U-Line P60 drain pump is to be used, it must meet the following specifications:

- It must be UL listed and have a UL listed, 120 VAC, 3-wire grounded power cord.
- It must have overall maximum outside dimensions of 8-3/4" wide x 5-3/4" deep x 7-3/4" high.
- It must have a minimum flow rate of 15 gallons per hour at 10 feet of lift.
- It must have a sealed sump which does not allow water leakage in the case of a power outage, restricted drain or pump failure.
- It must have a check valve in the discharge line to prevent waste water return to the pump.
- It must have an overflow protection control which will shut off power to the ice maker in the event of a pump failure.
- It must have an operating temperature range of 50°F to 110°F (10°C to 40°C).

### CAUTION

**In the event of a power outage, restricted drain or pump failure, the failure to use the U-Line P60 drain pump or a pump with the above listed specifications, could result in substantial water leakage and pooling with severe and costly water damage and related consequential damages and harm.**

## SITE PREPARATION

1. Position the unit on a flat, level surface, capable of supporting the entire weight of the unit. Remember that the unit will be significantly heavier once it is fully loaded.

### IMPORTANT

**It is extremely important that the unit is level. If it is not level, the water will not flow over the ice mold evenly. This can cause a reduction in ice rate, uneven sized cubes or water spilling into the storage area which will cause the ice in the bin to melt prematurely. Remember that floors near drains have a tendency to slope towards the drain.**

2. The surrounding air temperature must be at least 50°F (10°C) but must not exceed 110°F (40°C).
3. The unit must not be located near heat-generating equipment or in direct sunlight.
4. The unit must be located to allow clearance for water, drain and electrical connections in the rear of the ice maker.
5. Connect the unit to a grounded and polarized 115 VAC, 60 Hz, 15A circuit (normal household current).



**DANGER**



#### **ELECTROCUTION HAZARD!**

**Electrical Grounding Required.** This appliance is equipped with a three prong (grounding) polarized plug for your protection against possible shock hazards.

- **NEVER** remove the round grounding prong from the plug.
- **NEVER** use a two-prong grounding adapter.
- **NEVER** use an extension cord to connect power to the unit.

Where a two-prong wall receptacle is encountered or a longer power cord is required, contact a qualified electrician to have it replaced in accordance with applicable electrical codes.

# User's Manual

## NOTE

All U-Line units have a zero clearance for the door to open (Figure 4). See **BUILT-IN INSTALLATION** for additional clearance requirements.

## NOTE

Stainless Steel models require a minimum of 2-1/2" door handle clearance when installed against a wall.

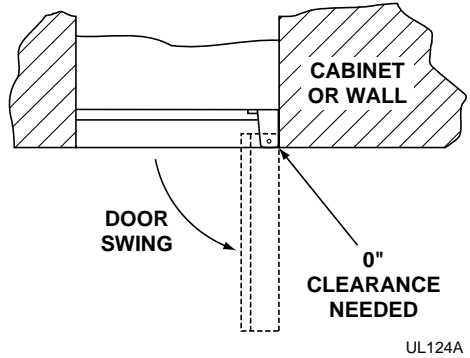
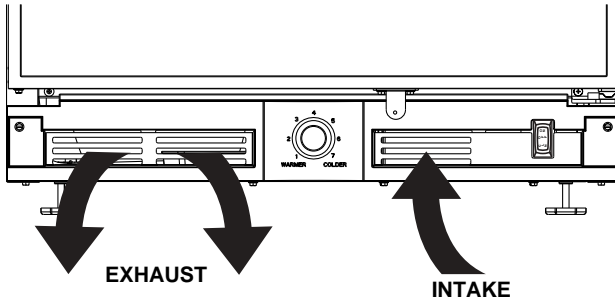


Figure 4

6. Install and connect the water supply line. See **CONNECTING THE WATER SUPPLY** for installation requirements.
7. Position the unit to allow free air flow through the front grille (Figure 5).



CLRC004

Figure 5

8. Wipe out inside of unit with a clean, water-dampened cloth.

## BUILT-IN INSTALLATION

Your U-Line product has been designed for either free-standing or built-in installation. When built-in, your U-Line product does not require additional air space for top, sides or rear. However, the front grille must NOT be obstructed.

### CAUTION

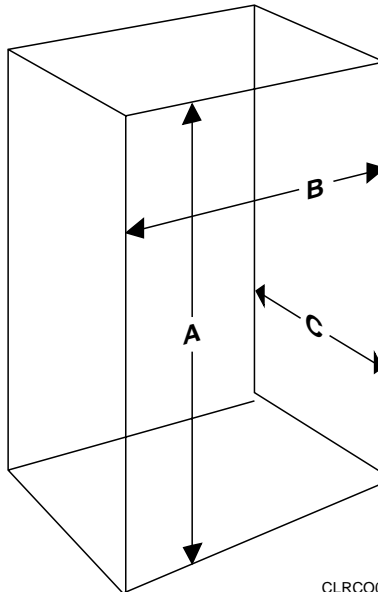
Do not install unit behind closed doors.

**Table 3. Built-in Cabinet Dimensions**

Unit Dimensions		
A	B	C
34-1/8"	23-15/16"	24"

### NOTE

To ease unit installation and removal, it is recommended that the cabinet rough opening dimensions be increased by at least 1/4" over the dimensions given for your unit. The unit must be located to allow clearance for water, drain and electrical connections in the rear of the ice maker.



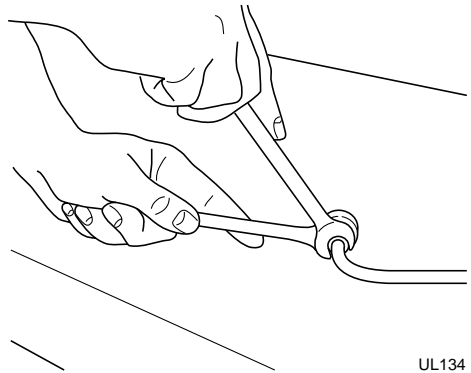
CLRC002a

## CONNECTING THE WATER SUPPLY

When connecting the water supply, follow these guidelines:

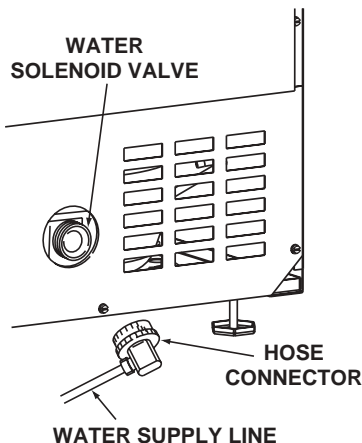
- Review the local plumbing codes before you install the unit.
- In most instances, the **cold water supply** will come from the basement through a hole in the floor.
- The water pressure should be between 20 minimum and 120 maximum psi.
- Install a shut-off valve in the 1/4 inch supply line.
- Connect sufficient tubing to the unit to allow the unit to be moved for cleaning and servicing. However, make certain that the tubing is not pinched or damaged during installation.
- U-Line recommends the use of copper tubing for installation.

1. Locate the compression fitting and ferrule packed in the unit. Slide the compression fitting and ferrule over the 1/4 inch water supply line. Do not use thread sealing compound or tape. Using two wrenches, tighten the compression fitting on the supply line (Figure 6).



UL134

**Figure 6**

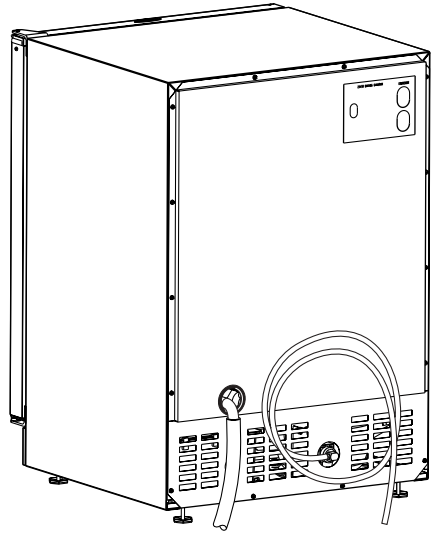


CLRCO013

**Figure 7**

2. Carefully bend the water supply line into position and connect the line to the water solenoid valve (Figure 7). Avoid kinking the water supply line.

3. For recessed installations, allow extra water supply and drain line length to provide slack for easy removal from the recessed area (Figure 8). This will also safeguard against kinking the line.



CLRCO005

**Figure 8**

### NOTE

After completing the installation, turn on the water and recheck water and drain connection for leaks. Apply additional tightening if needed. **DO NOT** use thread sealing compound or tape.

4. Plug in the power cord.
5. Gently push the unit into position. If desired the unit may be recessed into cabinet or wall.

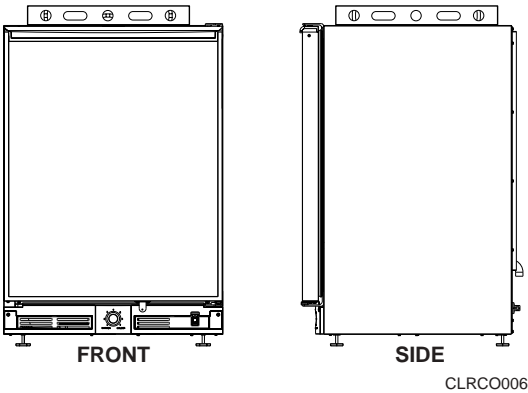
## LEVELING THE UNIT

### IMPORTANT

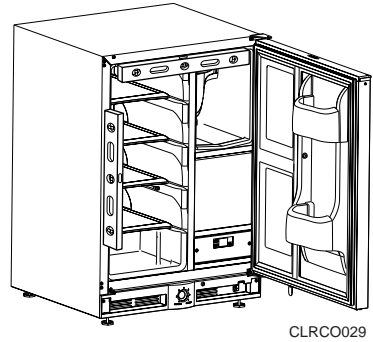
**It is extremely important that the unit is level.** If it is not level, the water will not flow over the ice mold evenly. This can cause a reduction in ice rate, uneven sized cubes or water spilling into the storage area which will cause the ice in the bin to melt prematurely. Remember that floors near drains have a tendency to slope towards the drain.

1. Use a level to check the levelness of the ice maker from front to back and from side to side for free-standing installation (Figure 9).

Use a level to check the levelness of the icemaker from front to back and from side to side by placing a level on the inside edge and along the door seal edge for built-in installation (Figure 10).



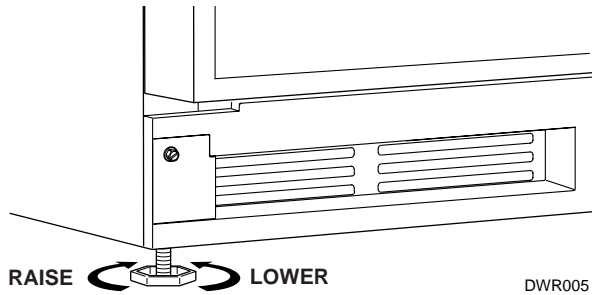
**Figure 9**  
**(Free-Standing Installation)**



**Figure 10**  
**(Built-In Installation)**



- If the ice maker is not level, adjust the feet on the corners of the unit as necessary (Figure 11).



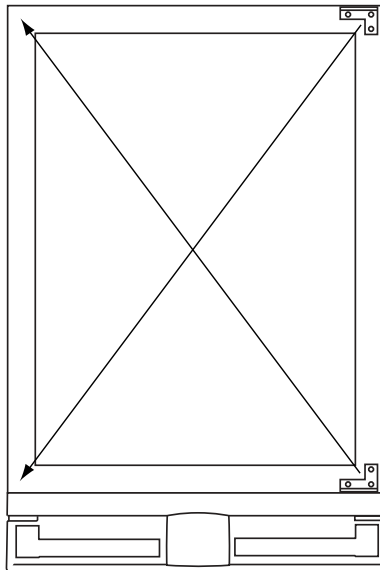
DWR005

**Figure 11**

- Check the levelness after each adjustment and repeat the previous steps until the unit is level.

## REVERSING THE DOOR

All U-Line units (except Stainless Steel models) may be left or right hand opening. The door opening is easily reversed by moving the hinge hardware to the opposite side (Figure 12). To reverse the door:

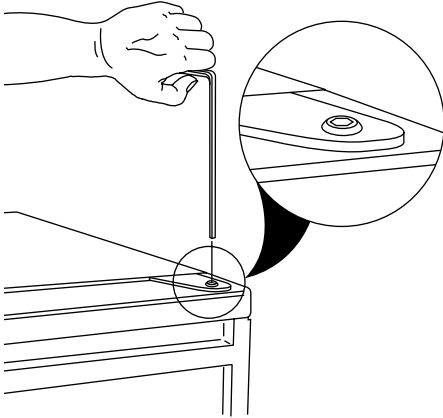


UL318B

**Figure 12**

# User's Manual

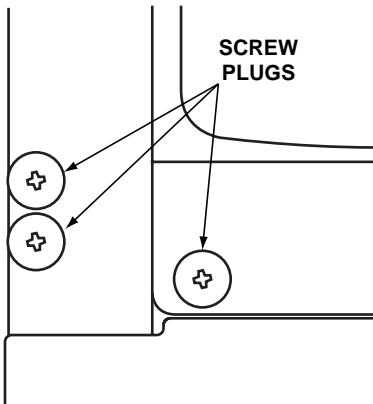
1. Remove top hinge screw pin (7/64" Allen wrench) from cabinet (Figure 13). Remove door by tilting forward and lifting off bottom hinge pin.



UL310

Figure 13

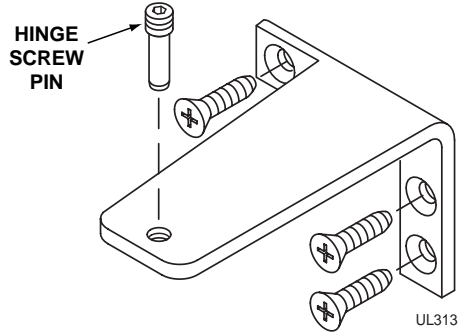
2. Remove plastic screw plugs (3 each, top and bottom) from new hinge location. Do not discard (Figure 14).



UL308

Figure 14

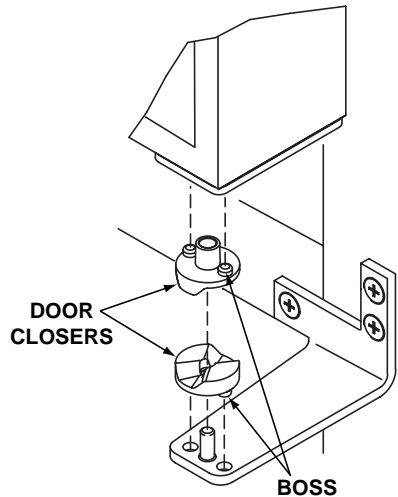
3. Remove top hinge (3 screws), reinstall hinge screw pin, and remount on opposite side BOTTOM (Figure 15).



UL313

Figure 15

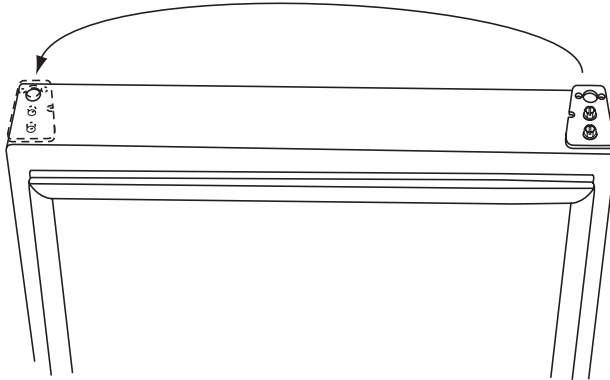
4. Remove the two door closers from the existing bottom hinge and install as shown on the new bottom hinge location (Figure 16).



UL312

Figure 16

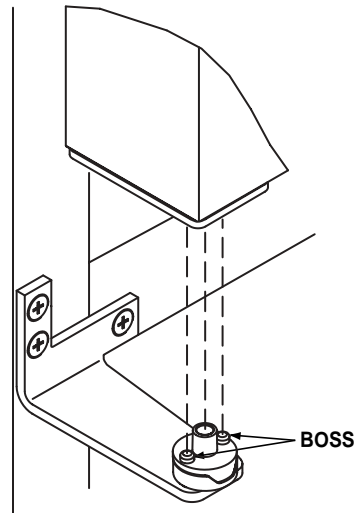
5. Remove existing bottom hinge (3 screws) and remount on opposite side TOP. Remove hinge screw pin.
6. With bottom of door facing up, remove pivot plate (2 screws), flip over, and remount on opposite side of door (Figure 17).



UL319

**Figure 17**

7. Holding door upright with top of door tilted forward, place hole of door pivot plate on bottom hinge screw pin (Figure 18). Be sure that the bosses on the closers align with holes in hinge and hinge plate.
8. Tilt top of door into position in top hinge and install top hinge screw pin.
9. Install plastic screw plugs removed in Step 2 in old hinge holes (3 each, top and bottom).



CLRCO008

**Figure 18**

## DOOR ADJUSTMENT

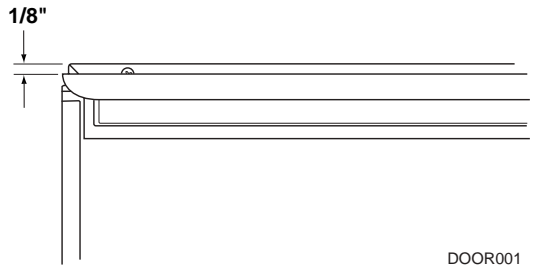
Your door is aligned at the factory before shipment. Occasional re-adjustment may be necessary, especially if an Overlay Panel is installed. The following procedure will correct for up to 1/4" alignment.

### IMPORTANT

The door should never be flush with the top of the cabinet. Even when level, the top edge of the door will be 1/8" below the top of the cabinet (Figure 19).

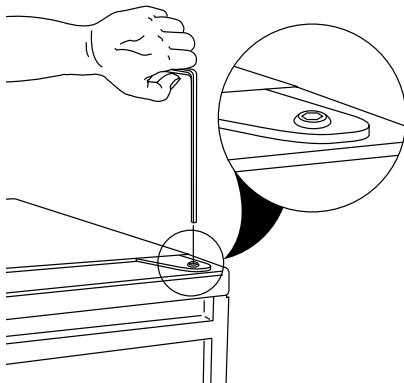
#### To adjust :

1. Compare the top edge of the door (opposite the hinges) to the top edge of the cabinet and note the type (up or down) of adjustment needed.
2. Remove the top hinge pivot pin with a 7/64" hex wrench (Figure 20) and lift door off bottom hinge pin. Be careful not to lose door closers (Figure 22).



DOOR001

**Figure 19**

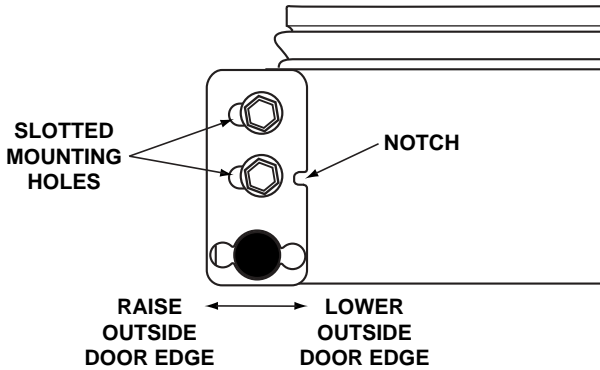


UL310

**Figure 20**

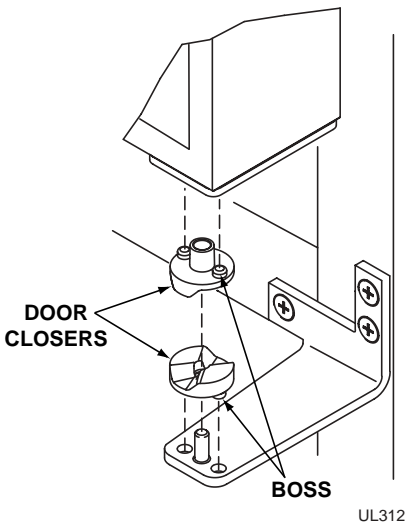
3. With door upside-down, loosen but do not remove the two hinge plate screws.

- If door edge opposite the hinges needs to move up, move plate toward outside of door. If door edge needs to move down, move plate toward inside of door (Figure 21). Repeat until top edge of door is parallel with top of cabinet and tighten screws securely.



CLRCO001a

**Figure 21**



UL312

**Figure 22**

- After adjustment is complete, remove the door closers from the bottom hinge, clean thoroughly and apply petroleum jelly to the mating surfaces of the closers (Figure 22). Be sure that bosses on closers align with holes in hinge and hinge plate. Mount door and install top hinge pivot pin.

# User's Manual

## CUSTOM DOOR PANELS

Two types of custom door panels can be installed on your U-Line unit to harmonize with or accent the surrounding decor.

### FULL OVERLAY DOOR PANEL

A full overlay door panel completely covers the door frame and handle to give a built-in appearance. See your U-Line dealer for the optional Full Overlay Door Panel Kit which contains the Panel Preparation Document for building and installing a full overlay panel or visit our website at [www.u-line.com](http://www.u-line.com). See Table 1 and Figure 23 for full overlay door panel dimensions.

**Table 1. Full Overlay Panel Dimensions**

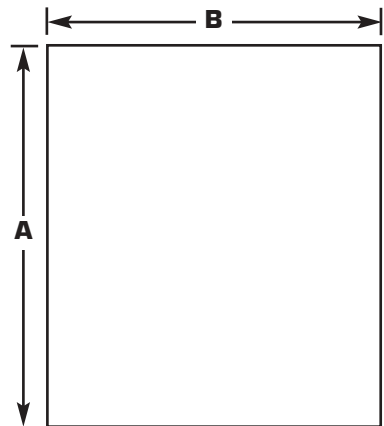
A	B
29-7/8"	23-3/4"

### CUSTOM INSERT DOOR PANEL

A custom door panel can be inserted into the door frame to better match the surrounding decor. Custom door panels can be flat or raised, as long as the maximum panel thickness where inserted into the door reveal (channel) is 1/4" thick. For raised panels, the depth of the reveal is 1/4" on all four sides. See Table 2 and Figure 23 for custom door panel insert dimensions.

**Table 2. Custom Insert Door Panel Dimensions**

A	B
28-5/32"	23-1/32"



**Figure 23**

## IMPORTANT

The custom door panels must not weigh more than 20 lbs.  
The thickness of the custom panel must be 3/4".

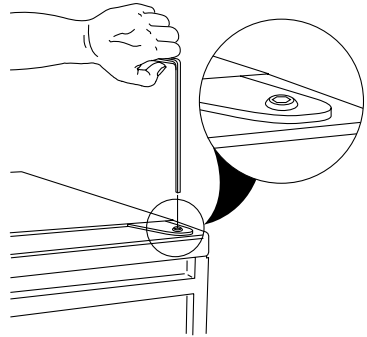
Install the insert as follows:



## WARNING

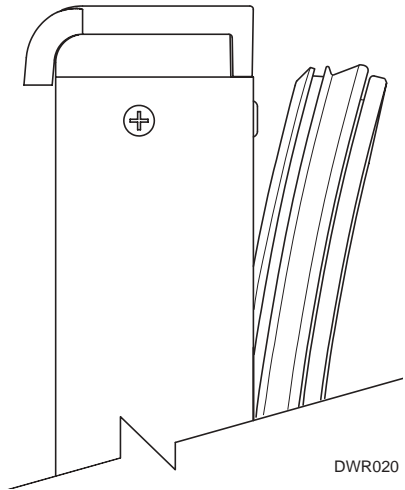
Insert edges may be SHARP! Use care when installing.

1. Remove top hinge screw pin (7/64" Allen wrench, Figure 24). Remove door by tilting forward and lifting off bottom hinge pin.
2. Pull door gasket out of groove (top edge of door only). Start in the middle and pull outward, moving toward the edge (Figure 25). This may take some force. Do not remove the three screws behind gasket.
3. Remove two outside screws holding door handle. Slightly separate door handle from door (Figure 26).
4. Pull handle up and off. Remove outer door panel and cardboard spacer.
5. Slide custom door panel insert into 1/4 inch channel in door front.
6. Holding door gasket out of the way, replace handle on door making sure it is seated properly on insert and that screw holes line up.
7. Install two small screws removed in step 3.
8. Starting at the corners and working inward, push door gasket into place on door.
9. Place door on bottom hinge pin and install upper hinge screw.



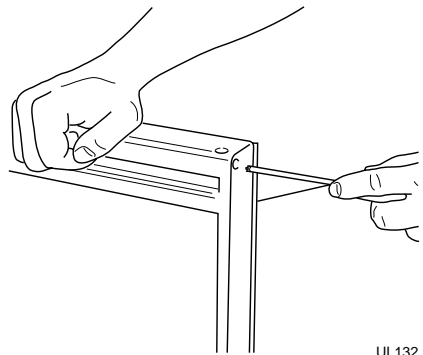
UL310

Figure 24



DWR020

Figure 25



UL132

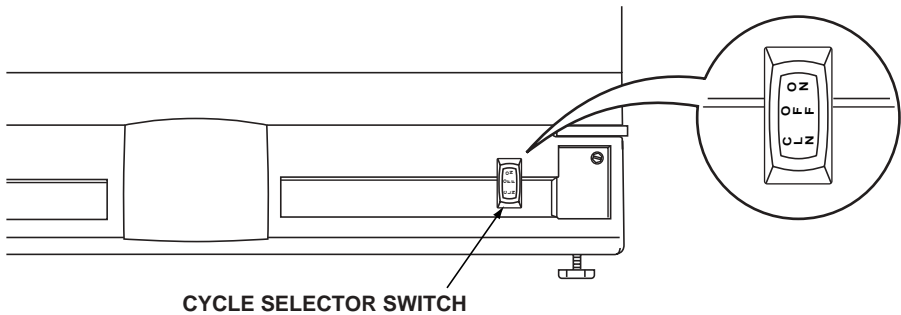
Figure 26

## INITIAL START-UP

Once installation and leveling is complete, the unit is ready for initial start-up and operation. Your unit is shipped in the ON position, however, you may turn it ON/OFF using the cycle selector switch located in the grille (Figure 27).

### IMPORTANT

The temperature controller will display even when the cycle selector switch is in the OFF position.



UL316C

Figure 27

1. Plug the appliance cord into a 115V polarized and grounded electrical outlet.
2. Make sure the overflow tube (refer to Figures 37 and 38 in Maintenance) is seated properly. There is a possibility it may have loosened during shipment.
3. Make sure the draining system is working properly and the drain hose is not pinched or kinked. Pour one gallon of cool, fresh water into the ice bin. The water should drain freely. If your CLRC02075 is equipped with a drain pump, the pump should drain the ice bin.
4. Open the water supply valve in the main water source.
5. Be sure that the cycle selector switch is in the ON position. The water fill valve will energize and fill the water reservoir. The water fill valve shuts off after 180 seconds. The compressor begins to operate and water flows over the evaporator assembly (ice cube tray).
6. Upon initial start-up, water flow over the evaporator may be uneven. This may cause uneven sized cubes or water spilling into the ice storage bin. This is a normal situation and will correct itself within the first twenty-four hours of operation. After the initial start-up period, the water will cascade evenly over the evaporator.

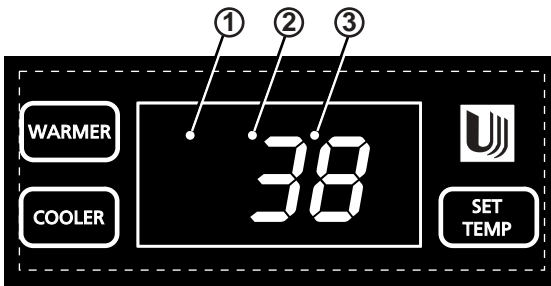


After the first slab of ice is produced, ice production will stop until the refrigerator side of the CLRC02075 reaches the set point temperature. After the refrigerator reaches temperature, ice production will begin again.

## IMPORTANT

It is possible that dirt or scale will dislodge in the water line. Always throw away all ice cubes made during the first two to three hours of operation.

### TEMPERATURE CONTROLLER



CLRC0011

Figure 28

The temperature controller (Figure 28) is located below the clear ice maker. It consists of an LED display, three LED status indicator lights and three touchpad buttons. The LED display shows the temperature **set point** and is calibrated in degrees Fahrenheit. The controller is factory programmed for a set point of 38°F which will show when the unit is first powered up.

To display actual temperature in the refrigerator, press the “WARMER” button momentarily. A solid status indicator light (1, Figure 28) will show and the air temperature reading in the cabinet will show for approximately 10 seconds.

To adjust the temperature set point, press the “SET TEMP” button momentarily; the display will flash. Press the “WARMER” or “COOLER” button as desired to change the set point. When the desired set point shows on the display, wait 10 seconds and the new set point will be saved. Wait 24 hours for the temperature to stabilize before checking the actual temperature again.

# User's Manual

---

---

Refer to Table 1 to determine indicator light status.

<b>LED</b>	<b>Status</b>	<b>Indicates</b>
1	<ul style="list-style-type: none"><li>• Solid</li><li>• Flashing</li></ul>	<ul style="list-style-type: none"><li>• Refrigerator Temperature displayed</li><li>• Not Applicable</li></ul>
2	<ul style="list-style-type: none"><li>• Solid</li><li>• Flashing</li></ul>	<ul style="list-style-type: none"><li>• Service Menu – wait 10 seconds and it will exit automatically</li><li>• Open Thermistor – call for service</li></ul>
3	<ul style="list-style-type: none"><li>• Solid</li><li>• Flashing</li></ul>	<ul style="list-style-type: none"><li>• Service Menu – wait 10 seconds and it will exit automatically</li><li>• Drain Pump Blocked – check installation and drain line. Call for service.</li></ul>

**Table 1. Indicator Light Status**

## CLEAR ICE MAKER OPERATION

The ice maker side is designed to make clear ice from most water sources on a consistent basis. Water is constantly circulated over the evaporator assembly. As the water freezes, gravity causes any sediment to drop into the water trough and not become imbedded in the ice. This gives a clearer ice cube with a low mineral content.

When the ice reaches the desired thickness, it falls off the evaporator and into the storage bin. The cycle is then repeated until the ice bin is full and then stops automatically. As the ice level in the bin drops the unit will automatically restart to keep the bin full.

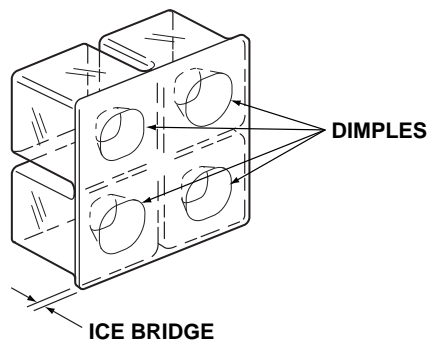
Your unit's ice production rate may vary depending on many considerations. Ambient air temperatures, water temperatures, a high level of opening and closing, loading the refrigerator with warm items, condenser cleanliness and ice-maker cleanliness are all contributing factors to how quickly the unit produces ice. The refrigerator portion of the CLRCO2075 will take precedence over producing ice to protect any perishables.

Certain sounds are normal during the unit's operation. You may hear the compressor or fan motor, the water valve, the water circulation pump or ice dropping into the ice storage bin.

### ICE CUBE THICKNESS

Your U-Line Clear Ice Maker uses advanced technology to make ice that is crystal clear. This technology cascades a flow of water over a chilled ice mold that is mounted vertically so no water sits in it. Because of this ice making technology, clear ice cubes differ significantly from regular ice cubes. Differences are as follows:

- **Dimples.** U-Line clear ice cubes have "dimples" on one side from the cascading water process.
- **Cube Variations.** Cubes made from different batches, or even cubes within the same batch may have varying dimples, thicknesses and/or sizes due to the cascading water process.
- **Cube "slabbing".** The U-Line clear ice maker makes a "slab" of ice that falls from the vertical mold relying on gravity to break the ice bridges. Depending on the control setting, and the fullness of the ice bucket, it maybe necessary to tap the ice slab with the ice scoop to break it apart.



ICE001

Figure 29

# User's Manual

The ice cube thickness control is factory set for best overall performance. The factory setting is designed to maintain an ice bridge of approximately 1/16" to 1/8" under normal conditions resulting in a dimple of approximately 1/4" to 1/2" in depth (Figure 30). A fuller cube with less of a dimple results in a thicker ice bridge. As the ice bridge becomes thicker, the tendency for the cubes to stay together as a slab increases. A bridge thicker than 1/8" may cause cubes to overfill the ice bucket.

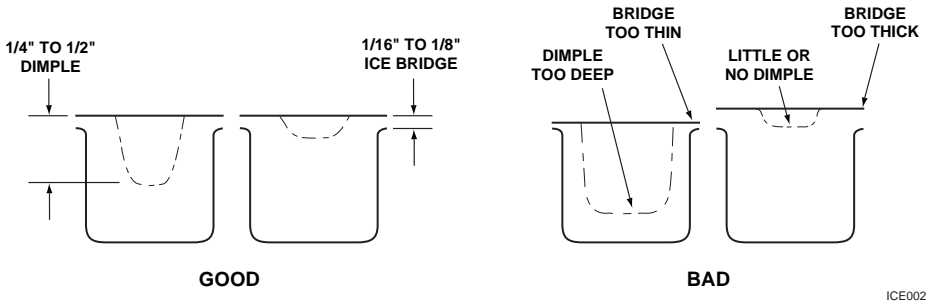


Figure 30

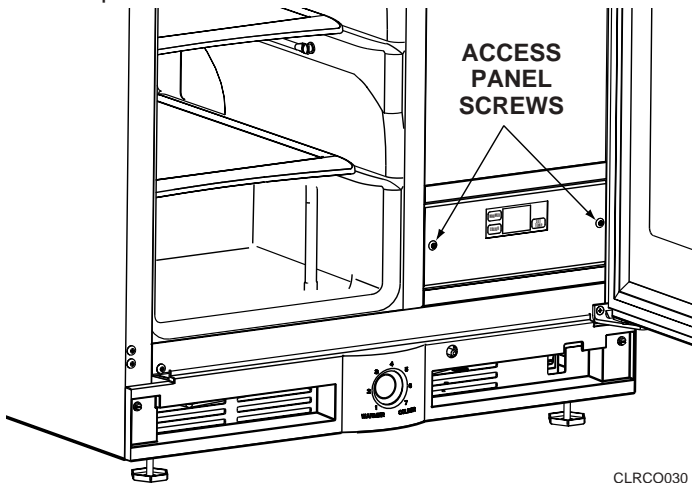
To adjust:



## WARNING

Disconnect power to the ice maker before making any ice thickness adjustments.

1. Disconnect power to the unit.



CLRC0030

Figure 31

- Remove the screws securing the front access panel (Figure 31).

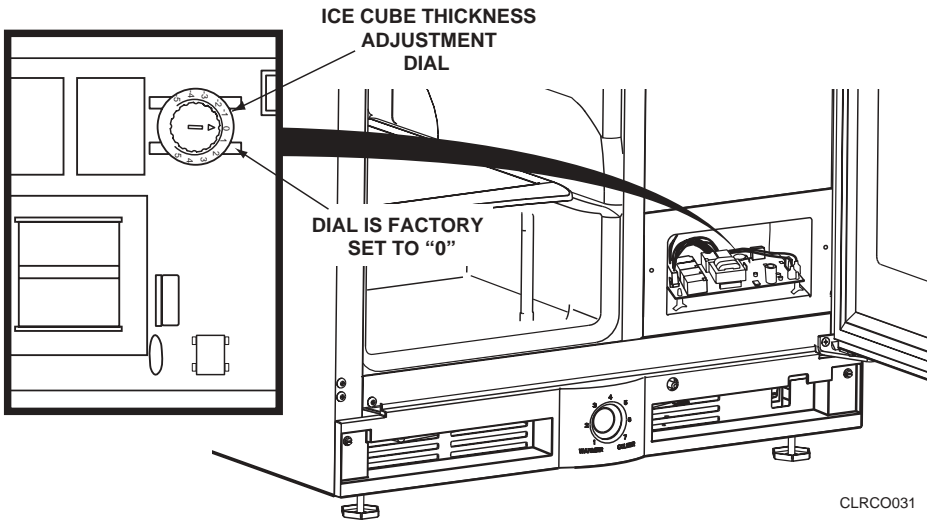


Figure 32

- Locate the ice cube thickness adjustment dial on the control board (Figure 32). Turn the dial clockwise (+ number) to thicken or counterclockwise (- number) to thin the ice bridge.

## IMPORTANT

Ice thickness adjustment dial should be turned only one increment (number on dial) at a time. Allow the ice maker to stabilize for 24 hours before making further adjustments. Since ice cubes in any given batch will vary, choose cubes from the sample area for comparison when making adjustments (Figure 33). The factory setting is +1.

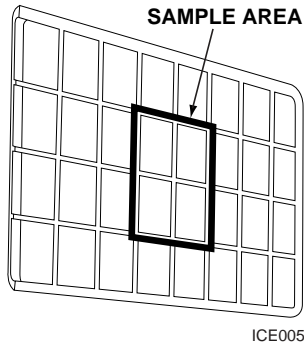


Figure 33

4. Reinstall front access cover.
5. Reconnect power to ice maker.
6. Empty ice bucket.

## GLASS SHELF REMOVAL/INSTALLATION

On units with right-hand hinges, open door fully, grasp shelf firmly, lift front edge slightly and pull straight out. On units with left-hand hinges, refer below.

### Removal (Figure 34)

1. Pull shelf out about 6" until back of shelf clears the "hump" on the right hand side.
2. Tilt right hand edge of shelf up.
3. Remove shelf from unit by pulling out.

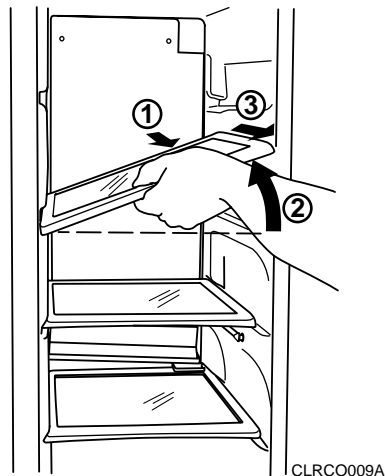


Figure 34

## Adjustment/Installation

1. To move to a different position in the unit, insert shelf at an angle, approximately 15-20°, over the rib in the side of the unit where you want to place the shelf. The shelf must be started into the unit at an angle to clear the door.
2. Continue to slide the shelf into the unit at an angle until it clears the door. Lower the shelf and rest it on the rib.

## DOOR SHELF REMOVAL/INSERTION

### To Remove Door Shelf (Figure 35):

1. Grasp shelf in center, lift slightly, and tilt 15°-20°.
2. Carefully pull shelf off bosses.

### To Install Door Shelf:

1. Holding shelf in center, align notches in shelf with bosses in door.
2. Tilt shelf at a 15°-20° angle and slide onto bosses at the desired location.

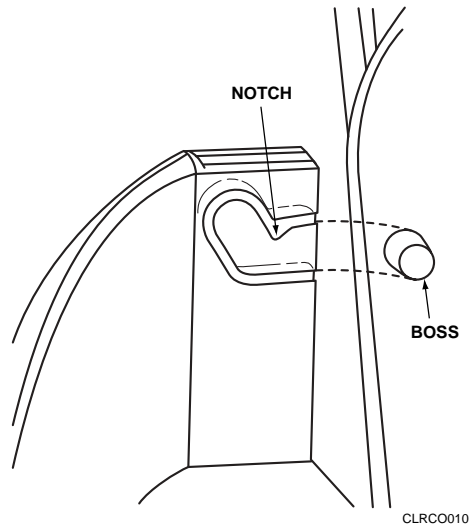


Figure 35

# User's Manual

---

---

## PERIODIC CLEANING AND USER MAINTENANCE

Periodic cleaning and proper maintenance will ensure efficiency, top performance, and long life. The maintenance intervals listed are based on normal conditions. You may want to shorten the intervals if you have pets, the unit is used outdoors, or other special considerations.

### EXTERIOR CLEANING — AS REQUIRED

The door, grille and cabinet may be cleaned with a mild detergent and warm water solution. Do not use solvent based or abrasive cleaners. Use a soft sponge and rinse with clean water. Wipe with a soft, clean towel to prevent water spotting.

Stainless steel models can discolor when exposed to chlorine gas and should be cleaned. Clean stainless steel models with a mild detergent and warm water solution and a damp cloth. Never use abrasive cleaning agents.

### CAUTION

Stainless steel models exposed to chlorine gas and moisture, such as areas with spas or swimming pools, may have some discoloration of the stainless steel. Discoloration from chlorine gas is normal.

### INTERIOR CLEANING — AS REQUIRED

1. Turn cycle selector switch to OFF.
2. Open the door and remove shelves if desired. Refer to **GLASS SHELF REMOVAL/INSTALLATION**.
3. Remove any ice from the storage bin.
4. Wipe down the interior and storage bin with a solution of non-abrasive mild soap or detergent and warm water. Rinse with clean water.
5. Sanitize the bin with a solution of 1 tablespoon of bleach in 1 gallon of warm water. Rinse thoroughly with clean water.
6. Turn cycle selector switch to ON.
7. Repeat the steps in Initial START-UP to check the draining system.





## WARNING

- **DO NOT** use solvent cleaning agents or abrasives on the interior. These cleansers may transmit taste to the ice cubes, or damage or discolor the interior.

### CONDENSER CLEANING — EVERY 3 MONTHS

To maintain operational efficiency, clean the condenser every three months (depending on environment conditions, more or less frequent cleaning may be necessary).



## WARNING



Disconnect electric power to the ice maker before cleaning the condenser.

To remove and replace the grille for access to the condenser fins follow this procedure (Figure 36):

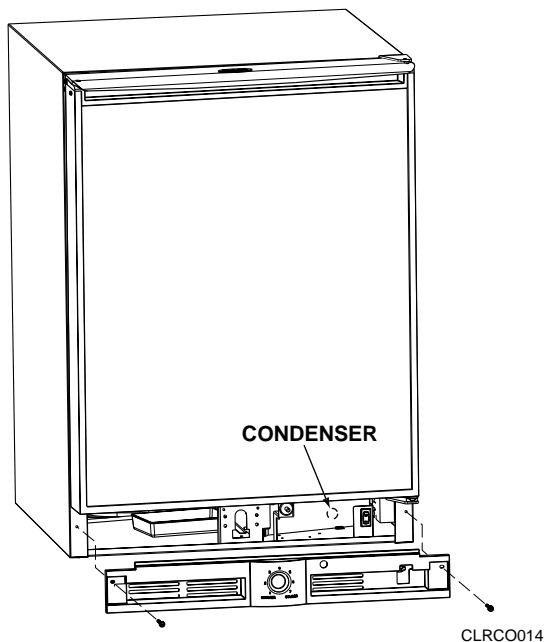


Figure 36

# User's Manual

---

---

1. Remove the screws at each end of the grille.
2. Remove the grille.



## WARNING

**DO NOT touch the condenser fins. The condenser fins are SHARP and can be easily damaged.**

## CAUTION

**DO NOT use any type of cleaner on the condenser unit.**

3. Clean the condenser coil using a soft brush with a “combing” action or vacuum cleaner. Do not touch the condenser coil.
4. Position the grille to align the screw holes with the cabinet.
5. Insert the grille screws and tighten. Do not overtighten.

## SELF CLEANING CYCLE — EVERY 6 MONTHS

To maintain operational efficiency, clean the unit every six months (depending on water conditions, more or less frequent cleaning may be necessary). If the ice maker requires more frequent cleaning, consult a qualified plumber to test the water quality and recommend appropriate treatment.



## WARNING

**Wear rubber gloves and safety goggles and/or face shield when handling Ice Machine Cleaner.**

## CAUTION

**Use only U-Line Ice Machine Cleaner (part number 41978). It is a violation of Federal law to use this solution in a manner inconsistent with its labeling. Use of any other cleaner can ruin the finish of the evaporator and will void the warranty. Read and understand all labels printed on the package before use.**

Ice machine cleaner is used to remove lime scale and other mineral deposits. Refer to the following steps for mineral deposit removal.

## IMPORTANT

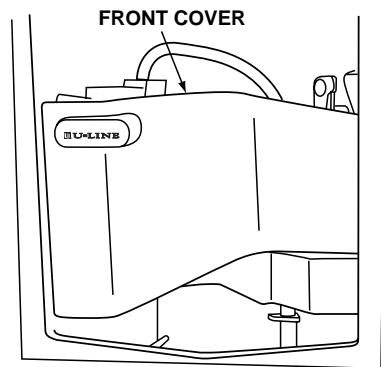
The refrigerator side does not operate during the ice maker cleaning cycle. Remove all fresh food to prevent spoilage.

## CAUTION

Never use anything to force ice from the evaporator. Damage may result.

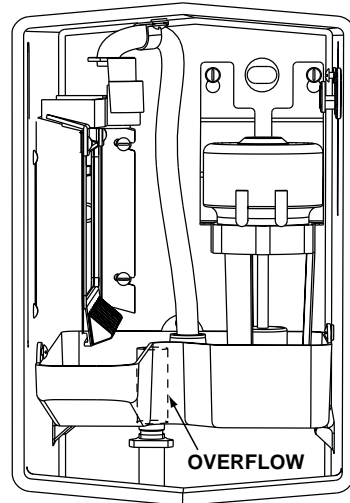
Always remove perishables before cleaning.

1. Set the cycle selector switch to OFF and allow the ice to melt off of the evaporator.
2. Remove all ice from the storage bin.
3. Remove inside front cover (Figure 37).
4. Remove the overflow tube by lifting it up while using a slight back and forth motion to loosen it from the drain hole (Figure 38). The water in the reservoir will flow down the drain.
5. Replace the overflow tube after all of the water has drained from the reservoir.
6. Move the cycle selector switch to the CLN position.
7. When water begins to flow over the evaporator (approximately 3 minutes), add one package of U-Line Ice Machine cleaner to the water reservoir.
8. Reinstall inside front cover.



UL208

Figure 37



CLRC0012

Figure 38

# User's Manual

---

---

9. When the self-cleaning process stops (approximately 45 minutes), clean the storage bin.
10. Wipe down the interior and storage bin with a solution of non-abrasive mild soap or detergent and warm water. Rinse with clean water.
11. Sanitize the bin with a solution of 1 tablespoon of bleach in 1 gallon of warm water. Rinse thoroughly with clean water.
12. Move the cycle selector switch to the ON position to resume ice production.

Repeat the steps in Initial START-UP to check the draining system and discard the first ice harvest.

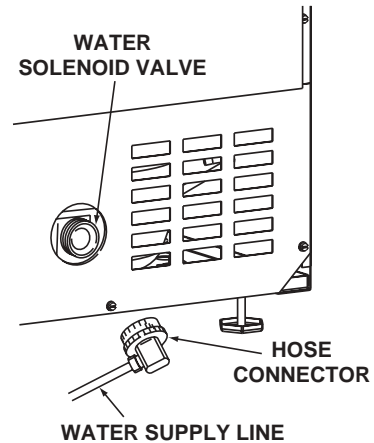
## NOTE

Ice production after the first harvest may take longer after Self Cleaning Cycle since the refrigeration portion will take precedence over producing ice to protect any perishables. Once the refrigerator reaches a set temperature, ice making will resume to normal.

## INLET SCREEN CLEANING — EVERY YEAR

The solenoid valve inlet screen must be cleaned at least once each year as follows:

1. Shut off the water at the water supply valve.
2. Pull the unit out to access the back panel.
3. Disconnect electrical power to the unit.
4. Disconnect the hose connector from the water solenoid valve (Figure 39).
5. Use a tooth brush to clean sediment from the inlet screen. **DO NOT** remove the screen.
6. Re-connect the water supply line to the water solenoid valve. Tighten connector securely. Open the water supply valve and check for leakage at the water connection. Make sure the water supply line is not kinked.
7. Reconnect power to the unit before re-installing.
8. Make sure the drain system is working properly and the drain hose is not pinched or kinked. Pour one gallon of cool, fresh water into the ice bin. The water should drain freely. If your CLRCO2075 is equipped with a drain pump, the pump should drain the ice bin.



CLRCO013

**Figure 39**

# User's Manual

---

---

## LIGHT BULB REPLACEMENT

Light bulb replacement in the Echelon™ series is simple.

1. Remove the light housing cover by sliding the cover toward the tab, swinging the end opposite the tab down and pulling down and away (Figure 40).
2. Replace bulb with genuine U-Line #31317 replacement.

U-Line P/N 31317

3. Replace the light housing cover by inserting the tab FIRST, sliding the cover toward the tab and pushing up the other end. You should hear a snap/click.

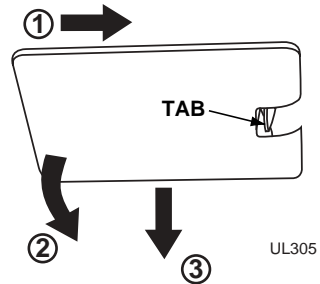


Figure 40

## DEFROSTING

### NOTE

Cycle defrost models do not normally require manual defrosting. However, in extremely high humidity or during periods of unusually high usage, minimal manual defrosting may be required.

## STORAGE, VACATION AND MOVING

If the unit is to be stored, moved or not used for extended periods, it will be necessary to drain the system of water.



### WARNING



**Electrical Shock Hazard. Disconnect power before servicing. Before operating replace all panels. Failure to do so can result in death or electrical shock.**

1. Disconnect power from the unit.
2. Remove ice from the storage bin.
3. Shut off water supply at the main water source.
4. Disconnect the inlet and outlet lines and allow them to drain.



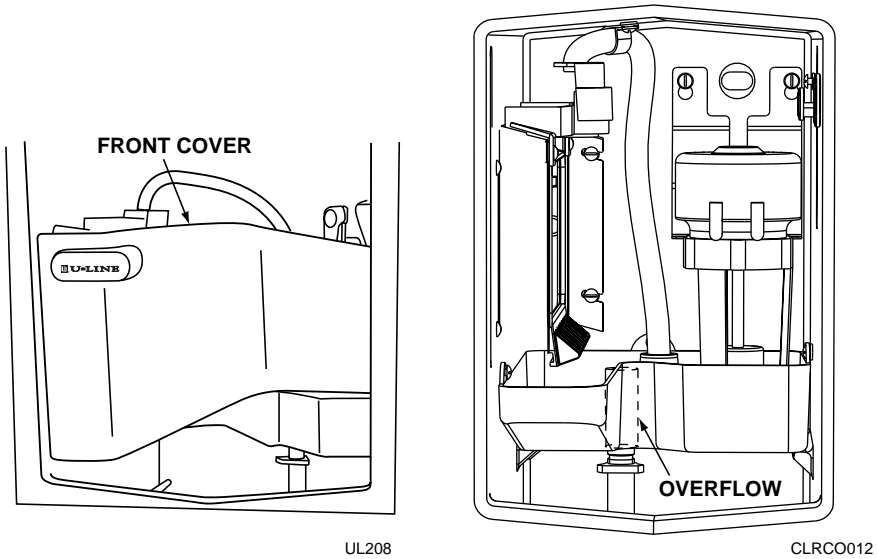
### WARNING

**If the ambient temperature is expected to drop below 40°F, drain all water from the unit to prevent freezing damage not covered by the warranty.**

### NOTE

**The use of anti-freeze or other products of this nature is not necessary and is not recommended.**

5. Disconnect inlet and outlet lines to the water valve.
6. Drain water from the water trough and drain line by removing the overflow tube (Figure 41).



**Figure 41**

7. Clean the ice maker and storage bin before next use.
8. Prop door open to allow for air circulation and prevent mold and mildew.

## IMPORTANT

It is possible that dirt or scale will dislodge in the water line. Always throw away all ice cubes made during the first 24 hours of operation when the unit is returned to service.



# TROUBLESHOOTING

## BEFORE CALLING FOR SERVICE

If the unit appears to be malfunctioning, read through **NORMAL OPERATION** first. If the problem persists, check the **TROUBLESHOOTING GUIDE**. Locate the problem in the guide and refer to the cause and its remedy before calling for service. The problem could be something very simple which can be solved without a service call.

## TROUBLESHOOTING GUIDE



### ELECTROCUTION HAZARD

**NEVER** attempt to repair or perform maintenance on the unit until the main electrical power has been disconnected.

### Troubleshooting — What to check when problems occur

Problem	Possible Cause	Remedy
No interior light.	No power to unit.	Make sure power cord is plugged in.
	Loose or burned out bulb.	Tighten or replace bulb. See page 36 for light replacement instructions.
Unit does not operate. Temperature Controller displaying.	Cycle Selector Switch in OFF position.	Turn switch to ON.
Unit does not operate. Switch is ON. Temperature Controller not displaying.	No electrical supply.	Plug unit in or check circuit breaker.

# User's Manual

Problem	Possible Cause	Remedy
The unit is not cold enough.	Light staying on.	Call for service.
	Dirty condenser coils.	Clean condenser. Refer to <b>CONDENSER CLEANING</b> .
	Airflow to front grille blocked.	Airflow must not be obstructed to front grille. Refer to <b>INSTALLATION</b> .
	Temperature not set cold enough.	Use the temperature controller to set temperature colder. Allow 24 hours for temperature to stabilize.
	Door is not closing completely.	Make sure no obstructions are blocking the door and unit is level. Refer to <b>LEVELING THE UNIT</b> . Door adjustment required. Refer to <b>DOOR ADJUSTMENT</b> .
	Cycle Selector Switch in OFF position.	Turn Cycle Selector Switch to ON.
Temperature controller LED flashing.	Drain pump blocked.	Check installation and drain line for kinks.
	Unit malfunction.	Call for service.
Noise during operation.	Certain sounds are normal.	Soft sounds from the fan and water/dropping sounds from the ice maker will be heard.
Fresh food section on Combo units too cold.	Temperature control set too cold.	Use the temperature controller to set temperature warmer.
The unit does not operate.	Low air temperature around unit.	Surrounding air temperature must be at least 50°F (10°C).
Unit runs but no ice is produced.	No water being supplied to the unit.	Check to see that water is connected and turned on to the unit.

Problem	Possible Cause	Remedy
Unit runs but produces very little ice.	Dirty condenser coils.	Clean the condenser. Refer to <b>PERIODIC CLEANING AND USER MAINTENANCE</b> .
	High air temperature around unit.	Surrounding air temperature of over 90°F (32°C). Low ice production at high temperatures is normal.
	Scale and mineral buildup in unit.	Clean unit. Refer to <b>PERIODIC CLEANING AND USER MAINTENANCE</b> .
	Inadequate airflow at the front of the unit.	Remove items blocking airflow.
	Cleaning Cycle recently performed.	Allow unit to reach the set temperature to produce ice normally.
Ice is slow to release or does not release from the evaporator.	Ice-making system is dirty.	Run unit through automatic clean cycle. Refer to <b>PERIODIC CLEANING AND USER MAINTENANCE</b> .
Poor ice quality. (soft or unclear)	Unit is not level.	Refer to <b>LEVELING THE UNIT</b> .
	Poor incoming water quality.	Consult a qualified plumber to test the water quality and recommend appropriate treatment.
	Ice-making system is dirty.	Run unit through automatic clean cycle. Refer to <b>PERIODIC CLEANING AND USER MAINTENANCE</b> .

# User's Manual

Problem	Possible Cause	Remedy
Unit produces shallow or incomplete cubes, or the ice fill pattern on the evaporator is incomplete.	Low water level.	Check to see that overflow tube is fully seated.
	Hot incoming water.	Connect the unit to a cold water supply. Refer to <b>INSTALLATION</b> .
	Incorrect incoming water pressure.	Water pressure must be 20-120 psi.
	Unit is not level.	Refer to <b>LEVELING THE UNIT</b> .
Water leaking from under the unit.	Supply line leaking.	Check to see that water inlet line is attached properly. Refer to <b>CONNECTING THE WATER SUPPLY</b> .
	Bin drain leaking.	Check integrity of bin drain hose and clamp.
Ice storage bin full of water.	Obstructed drain.	Check to see that storage bin drain opening is free from obstruction and debris.

## IF SERVICE IS REQUIRED

If the need for service arises, contact the dealer from whom the unit was purchased. State the Model Number and Serial Number and explain the problem. The Model and Serial Number plate is located inside unit at upper right hand corner.

If you do not know the name of the selling dealer or local service company, you can check online at [www.U-LineService.com](http://www.U-LineService.com)



# User's Manual

---

---





**U-LINE**  
CORPORATION

*P. O. Box 245040*

*Milwaukee, WI 53224-9540*

*Phone: 414.354.0300*

*Fax: 414.354.7905*

*[www.u-line.com](http://www.u-line.com)*