



15" Undercounter Ice Machine

Sub-Zero undercounter units simplify life at home by bringing refrigeration anywhere it's needed. In the kitchen, a high-volume ice machine is a must for entertaining. Model UC-15I ice machine has a storage capacity of up to 26 pounds of ice. You can order a stainless steel panel, or the unit is ready to be fitted with your custom cabinet panel.



FEATURES

- High-volume ice machine—great for entertaining.
- Produces up to 50 lbs of ice per day with large-capacity storage.
- Automatic ice maker provides quality, octagonal-shaped ice.
- Advanced water filtration system.
- Produces ice in air temperature up to 100°F.
- Easy-access control.
- 2, 4 or 8 hour delay.
- Clean light.
- Change Filter light.
- Bin light.
- Ice scoop fits neatly in door.
- Automatic defrost.
- Drain pump (UC-15IP and UC-15IPO).
- UL approved for outdoor use up to 110°F (UC-15IO and UC-15IPO).
- Stainless steel door panel with pro handle to match Wolf outdoor grills.

MODEL OPTIONS	UC-15I	UC-15IP	UC-15IO	UC-15IPO
Drain Type	Gravity Drain	Drain Pump	Gravity Drain	Drain Pump
Outdoor Model			•	•

INTERIOR FEATURES

- **Ice Machine**
- LED Bin Light
- Water Filter
- Ice Scoop

ACCESSORIES

- Stainless steel door panel with tubular or pro handle—15" or 18" width (UC-15I and UC-15IP).
- Stainless steel door panel with pro handle to match Wolf outdoor grills—15" width (UC-15IO and UC-15IPO).
- Stainless steel tubular and pro handles.
- Cleaning and sanitizing solutions.
- Replacement water filter.

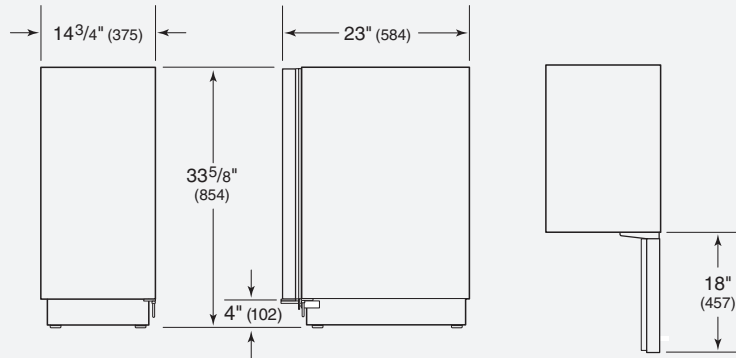
Accessories are available through your Sub-Zero dealer. For local dealer information, visit the find a showroom section of our website, subzero.com.





15" Undercounter Ice Machine

OVERALL DIMENSIONS



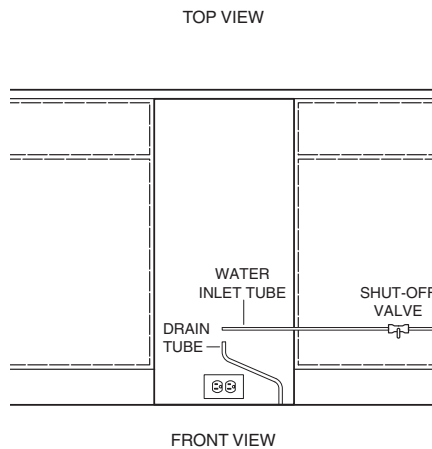
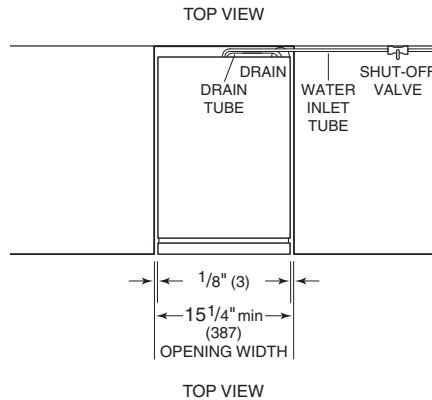
Unit dimensions may vary by $\pm 1/8$ ".
Overall dimensions do not include panels or handles.

SPECIFICATIONS

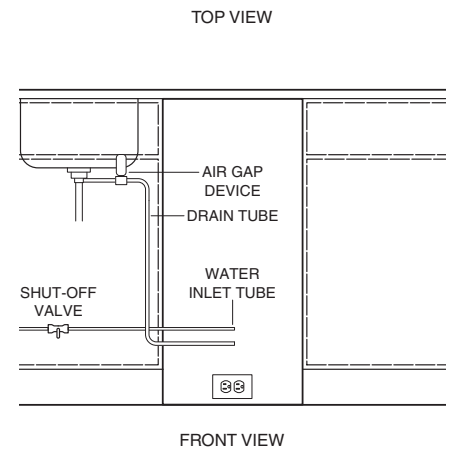
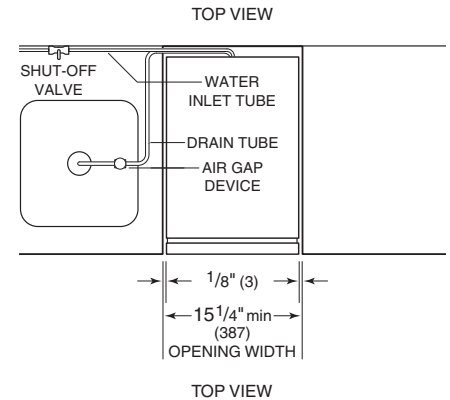
Overall Width	14 ³ / ₄ "
Overall Height (levelers in)	33 ⁵ / ₈ "
Overall Depth	23"
Minimum Door Clearance	18"
Ice Storage Capacity	26 lbs
Opening Width	15 ¹ / ₄ "
Opening Height	34 ¹ / ₂ "
Opening Depth	24"
Minimum Height Required (levelers in)	33 ⁵ / ₈ "
Electrical Requirements	115 V AC, 60 Hz 15 amp dedicated circuit
Plumbing Requirements	¹ / ₄ " copper line 20–100 psi
Shipping Weight	117 lbs

INSTALLATION SPECIFICATIONS

Gravity Drain Models



Drain Pump Models



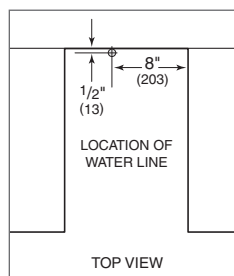
INSTALLATION NOTES

The electrical supply can be located anywhere on the back wall.

The ice machine can be ordered with (models UC-15IP and UC-15IPO) or without (models UC-15I and UC-15IO) a drain pump. Each model has specific plumbing requirements. If you order the unit without a pump, a drain must be installed.

Complete installation specifications, including panel dimensions, can be found on our website, subzero.com/specs.

Location of Water Supply



Dimensions in parentheses are in millimeters unless otherwise specified.