

HD150

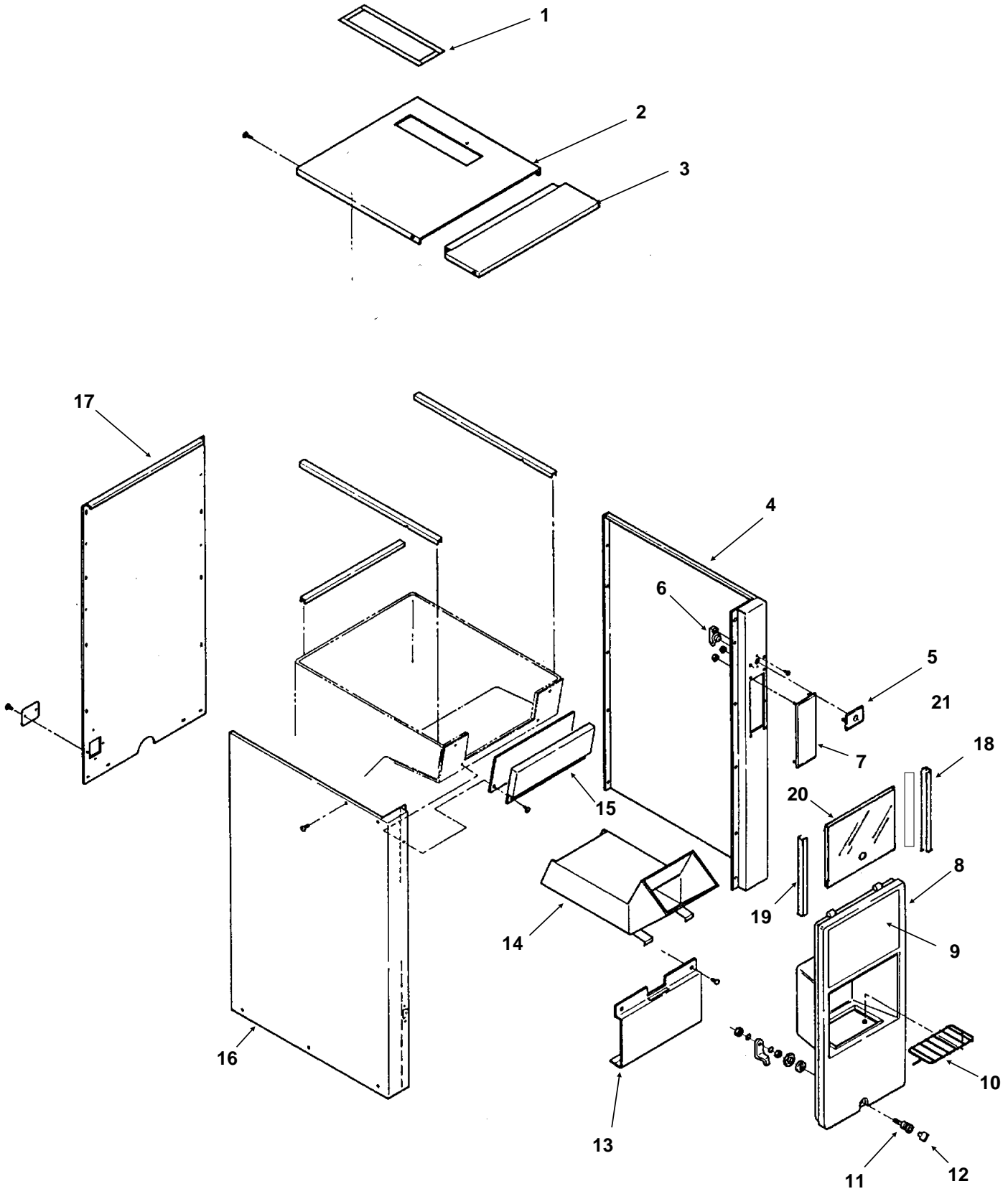
This parts list contains the part numbers for all HD150 Cube Ice Dispensers. Be sure to check the complete model number before ordering the part.

Table of Contents

- HD150 Cabinet page 2
- HD150 Bin page 4
- HD150 Dispensing parts page 5
- HD150 Door and Solenoid page 6
- Kit parts page 7
- Wiring Diagram page 8

HD150

Cabinet Parts - HD150S



HD150

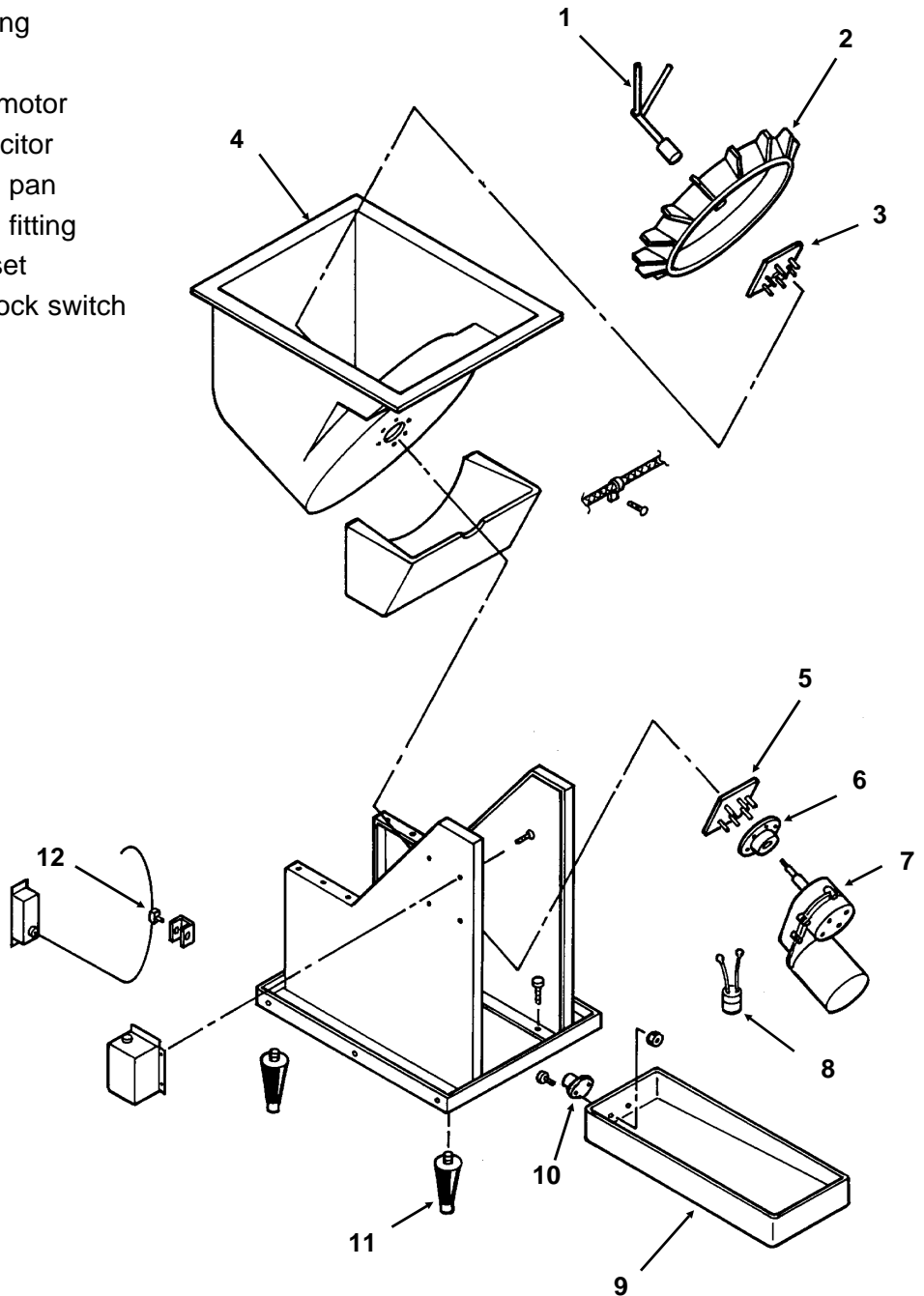
Cabinet Parts - HD150

| Item Number | Part Number | Description |
|--------------------|--------------------|---|
| 1 | 19-0503-04 | Gasket 24" around cube chute, 90" around top. Order per foot. |
| 2 | C80630003 | Bin cover, back |
| 3 | C80445002 | Bin cover front |
| 4 | C80627301 | Right side panel, stainless steel |
| 5 | C80416302 | Switch cover, stainless steel |
| 6 | C41771800 | Vend switch |
| 7 | C80417802 | Cover, stainless steel |
| 8 | C80627601 | Sink & panel |
| 9 | no number | Graphic |
| 10 | C80417401 | Grill |
| 11 | C80416401 | Lock |
| 12 | C80415601 | Key |
| 13 | C80627101 | Bottom panel |
| 14 | C80439601 | Drain chute |
| 15 | C80627001 | Top front panel, stainless steel |
| 16 | C80627302 | Left side panel, stainless steel |
| 17 | C80627401 | Back panel |
| 18 | C80571402 | U channel, right |
| 19 | C80571401 | U channel, left |
| 20 | C80571601 | Window |
| 21 | C80571501 | Guide |

HD150

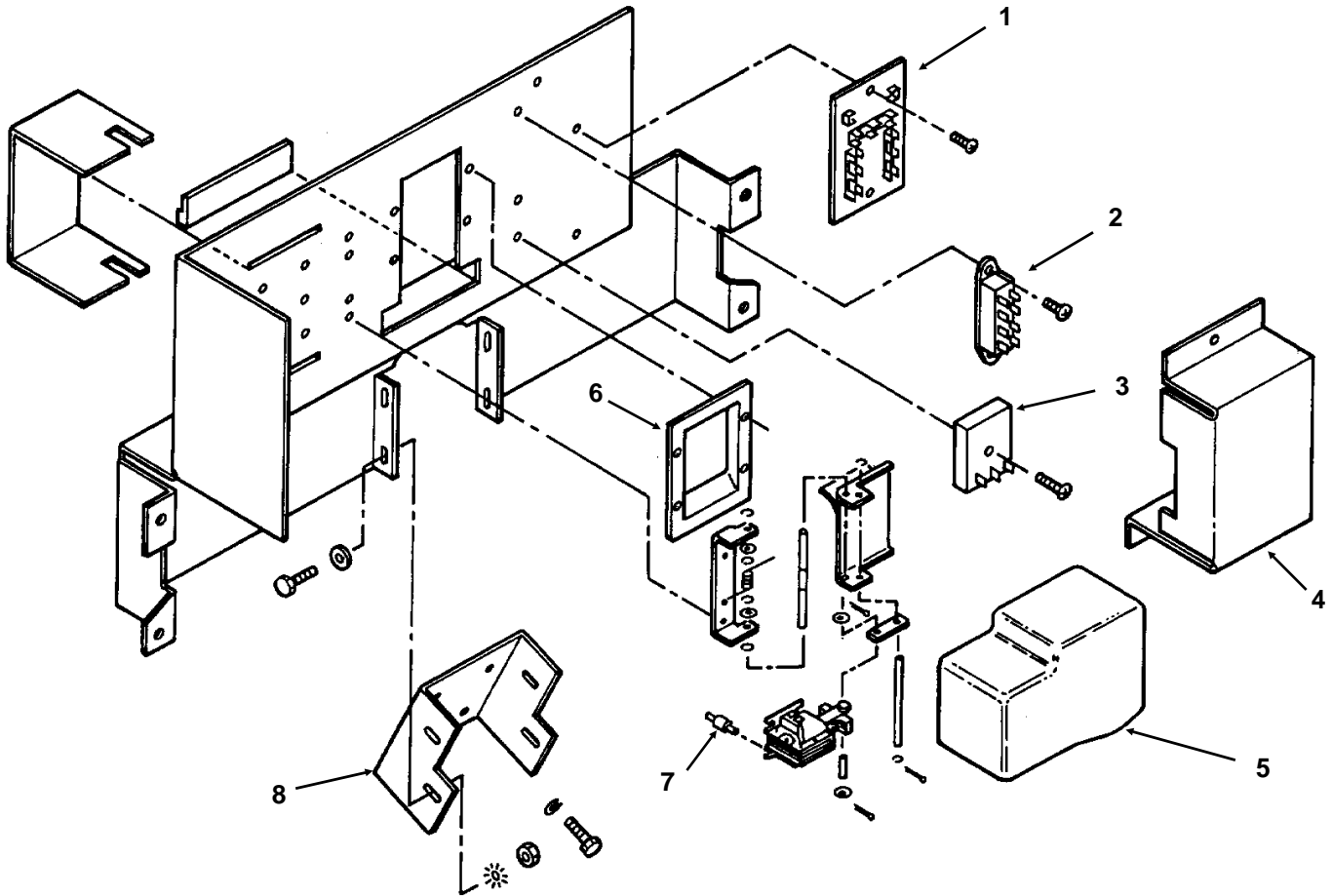
Bin Parts - HD150S

| Item Number | Part Number | Description |
|-------------|-------------|--------------------------------|
| 1 | C30074400 | Sweep arm |
| 2 | 02-3040-01 | Rotor |
| 3 | A34810-001 | Plate assembly |
| 4 | C80628501 | Bin |
| 5 | A34817-001 | Gearmotor plate |
| 6 | A34760-001 | Hub, includes bearing and seal |
| 6a | 02-3075-01 | Bearing |
| 6b | 02-3065-01 | Seal |
| 7 | 12-2369-21 | Gearmotor |
| 8 | C12235901 | Capacitor |
| 9 | C80416601 | Drain pan |
| 10 | C36619500 | Drain fitting |
| 11 | KLP2S | Leg set |
| 12 | C33810100 | Interlock switch |



HD150

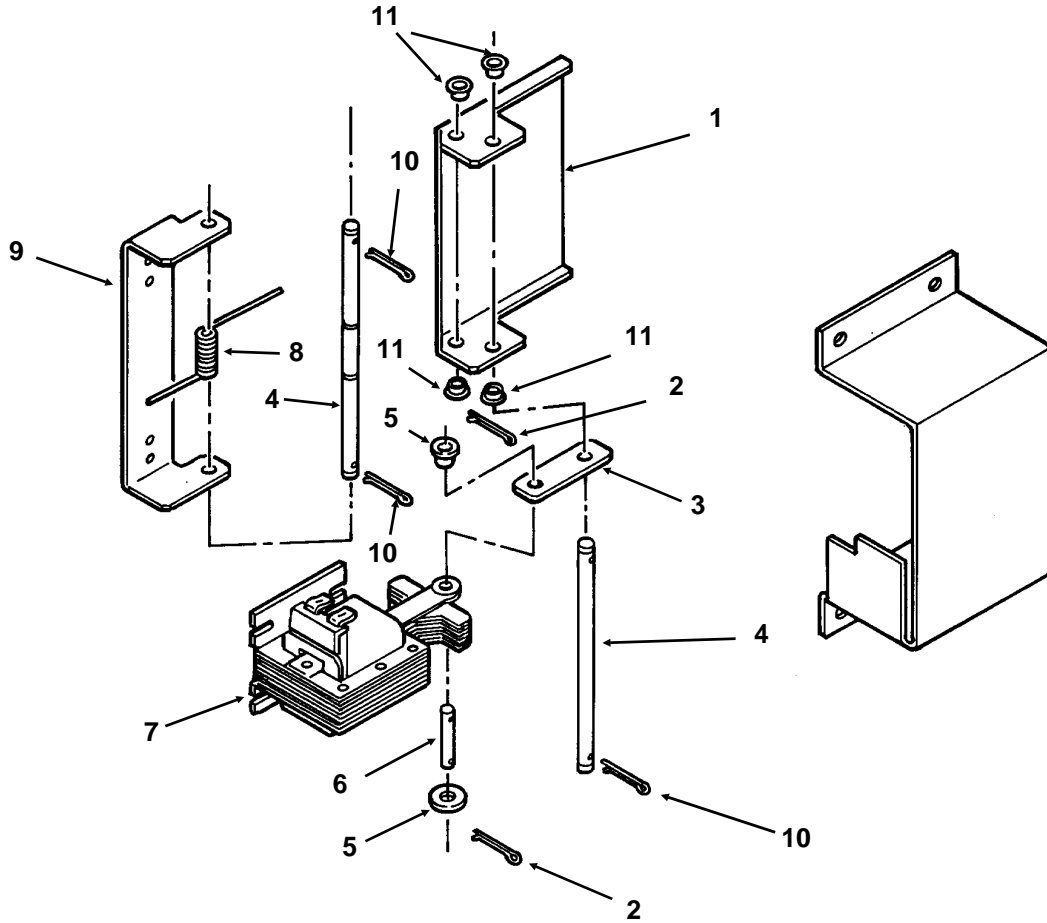
HD150S Dispensing Mechanism



| Item Number | Part Number | Description |
|-------------|-------------|------------------------------------|
| 1 | C18223900 | Terminal Board |
| 2 | C46292701 | Control relay |
| 3 | C80629301 | Timer - 3 seconds on every 2 hours |
| 4 | ref. only | Cover |
| 5 | 02-3067-01 | Solenoid cover |
| 6 | 02-3188-01 | Spout adapter |
| 7 | 13-0882-01 | Rubber mounts |
| 8 | 02-3786-01 | Gear motor bracket |

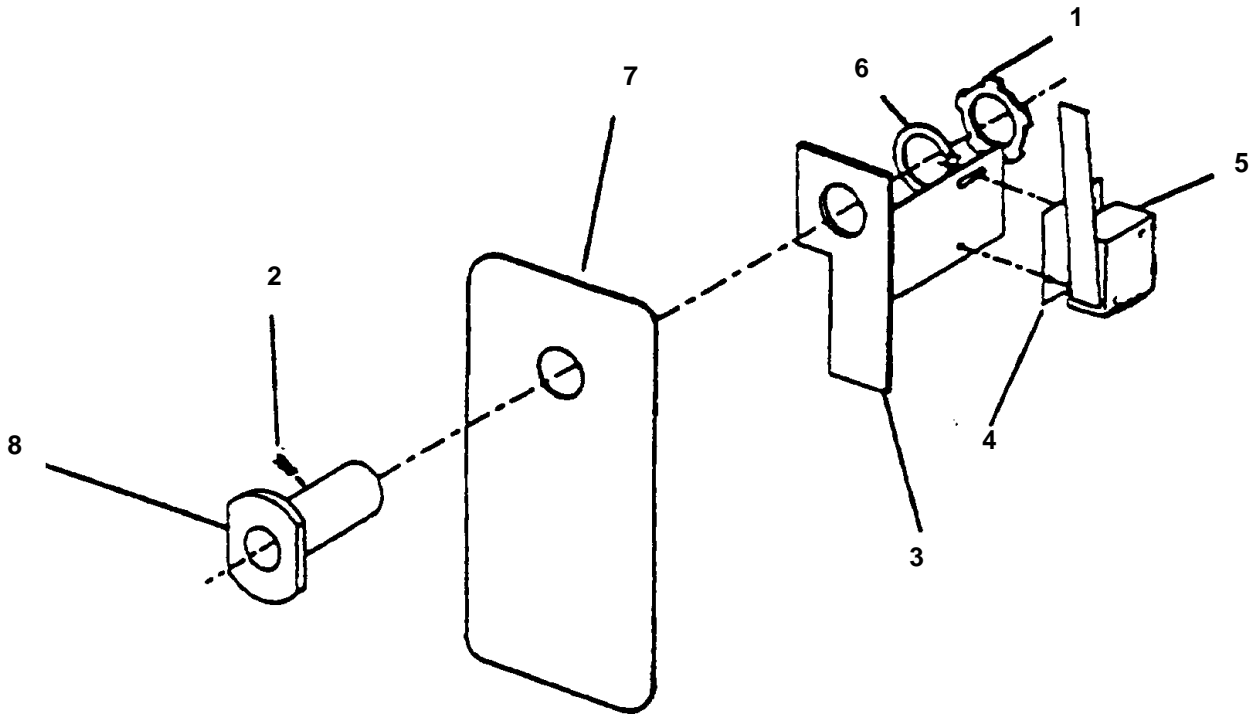
HD150

HD150S Door and Solenoid



| Item Number | Part Number | Description |
|-------------|-------------|--|
| 1 | A34801-001 | Ice door |
| 2 | 03-0396-01 | Cotter pin |
| 3 | 02-3089-02 | Solenoid link |
| 4 | 02-3088-01 | Long axle |
| 5 | 03-1407-02 | Washer |
| 6 | A32685-001 | Axle, linkage |
| 7 | 12-2862-01 | Solenoid |
| 8 | A32690-001 | Door spring |
| 9 | A34802-001 | Door hinge |
| 10 | 03-0396-08 | Cotter pin |
| 11 | 02-3187-01 | Bushing |
| 12 | A35623-001 | Door assembly kit, includes all items except 5, 6, & 7 |

HD150 Kit Parts



KSLDK2 Key Mech Kit - for HD150S

| Item | Part | |
|--------|-----------|----------------|
| Number | Number | Description |
| 1 | C01002800 | Nut lock |
| 2 | C19549700 | Set screw |
| 3 | C42792800 | Switch bracket |
| 4 | no number | Barrier |
| 5 | C26203100 | Microswitch |
| 6 | C80452001 | Plastic washer |
| 7 | C80417804 | Cover plate |
| 8 | C42647900 | Lock housing |

Not Shown

KSLDC or KSLDC2 Coin Mech Kit

| | | |
|---|-----------|------------------|
| 1 | C18223900 | Term. board |
| 2 | C46292701 | Control Relay |
| 3 | C80457301 | Coin slide mech. |
| 4 | C80457401 | Coin box |
| 5 | C80457501 | Mounting plate |
| 6 | C80565701 | Timer |
| 7 | C80457302 | Microswitch |

HD150 Wiring Diagrams

