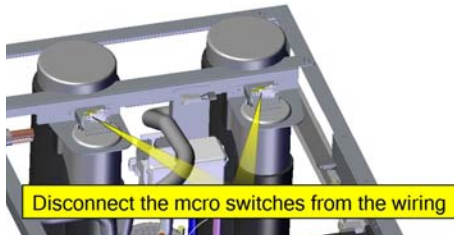
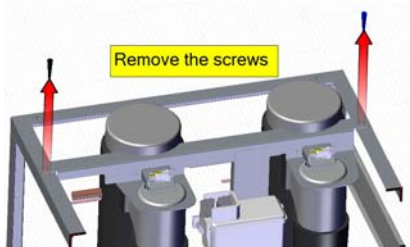


RF2300 Flake Ice Machines Ice Chute Replacement Kit Instructions

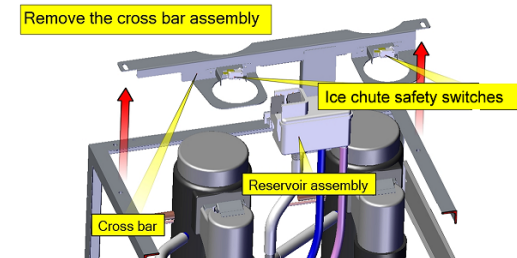
STEP 1



STEP 2



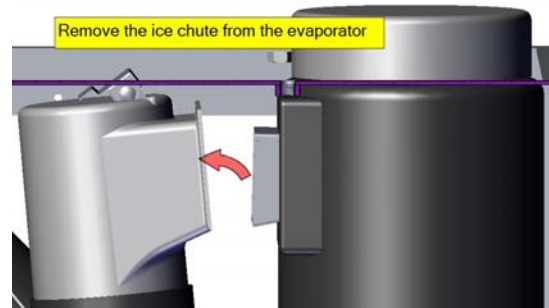
STEP 3



STEP 4



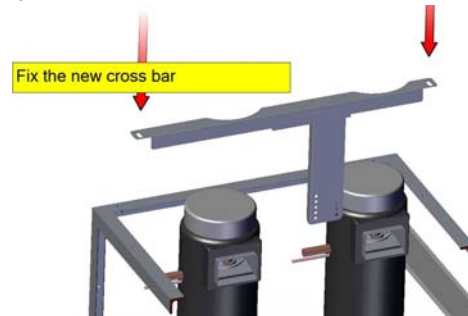
STEP 5



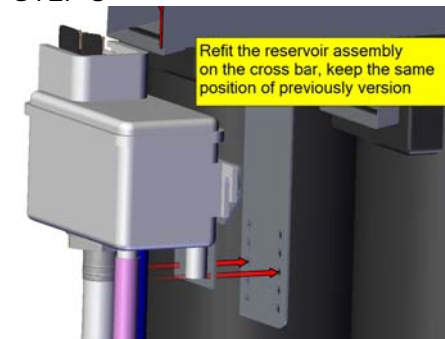
STEP 6



STEP 7



STEP 8



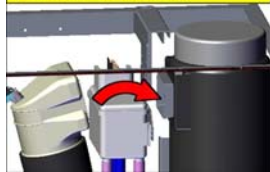
STEP 9

Join upper and lower assemblies

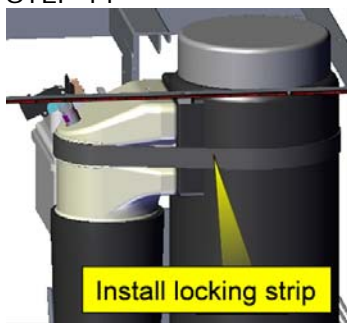


STEP 10

Insert ice chute assembly into hole in base and upper part into evaporator



STEP 11



STEP 12

