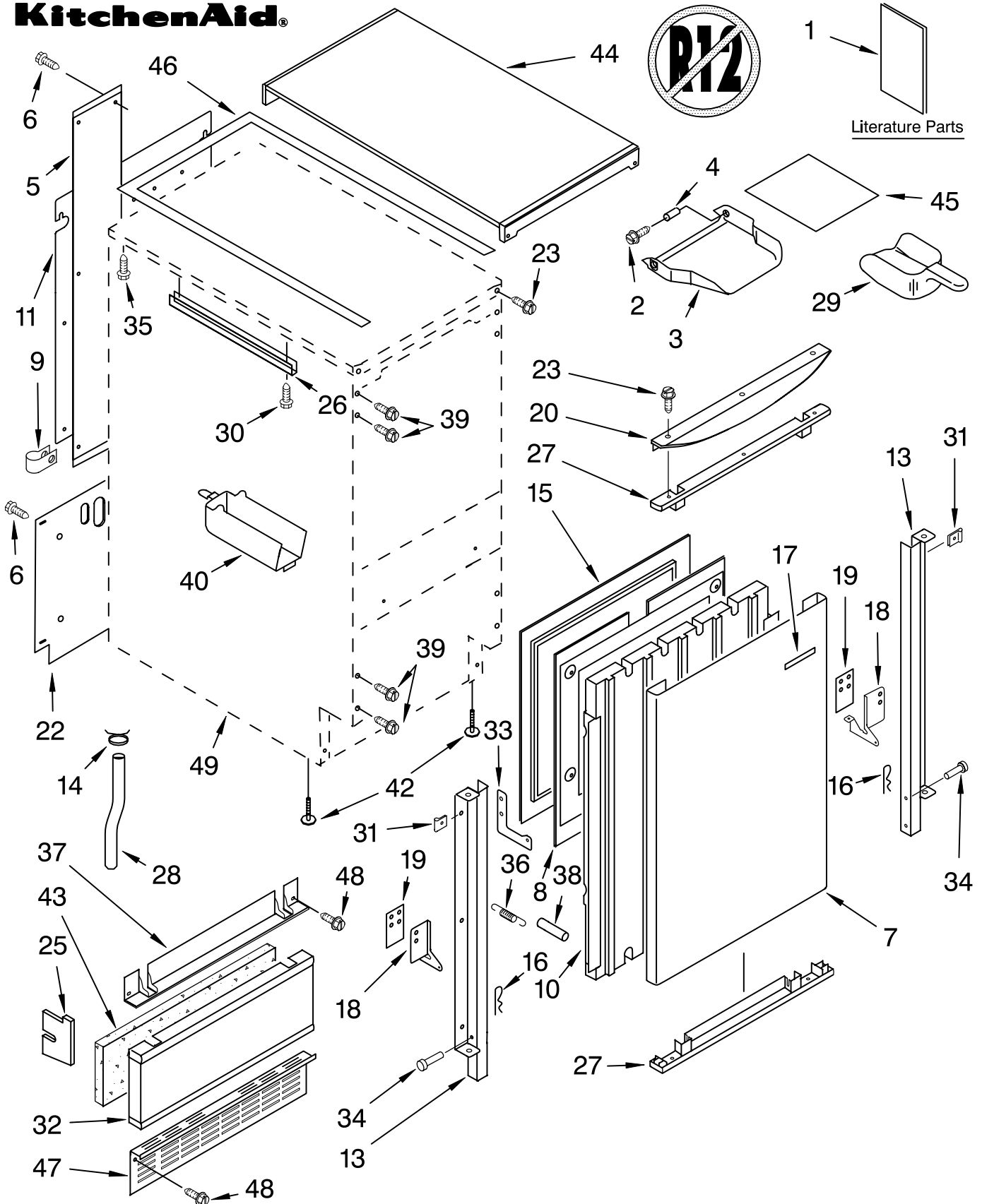


CABINET LINER AND DOOR PARTS

For Models: KUIS18NNJW4, KUIS18NNJT4, KUIS18NNJB4, KUIS18NNJS4
(WHITE) (BISCUIT) (BLACK) (STAINLESS STEEL)

ICE CUBE
MAKER

KitchenAid®



FOR ORDERING INFORMATION REFER TO PARTS PRICE LIST

CABINET LINER AND DOOR PARTS

For Models: KUIS18NNJW4, KUIS18NNJT4, KUIS18NNJB4, KUIS18NNJS4
(WHITE) (BISCUIT) (BLACK) (STAINLESS STEEL)

Illus. No.	Part No.	DESCRIPTION	Illus. No.	Part No.	DESCRIPTION	Illus. No.	Part No.	DESCRIPTION
1	LIT2217251	Literature Parts Use & Care Guide	22	2208399	Assembly, Unit Cover	45	2185690	Shield, Electrical
	LIT2217232	Service & Wiring Sheet	23		Screw, Handle	46	2217296	Gasket, Top Panel
2	3400886	Screw 8-18 X 1 1/4		8281188	(White)	47		Grill, Front
3	2208354	Bin, Door		8281187	(Biscuit)		2217206W	(White)
4	2185678	Spacer		8281186	(Black)		2217206T	(Biscuit)
5	2185575	Cover, Wiring	25	2217225	Pad, Foam		2217206B	(Black)
6	489442	Screw	26	2185691	Channel, Wiring	48	489474	Screw 8-18 X 1
7		Panel, Exterior	27		Endcap, Door	49		Cabinet & Liner
	2208352W	(White)		2208350W	(White)			(NOT SERVICED)
	2208352T	(Biscuit)		2208350T	(Biscuit)			
	2208352B	(Black)		2208350B	(Black)			
	2208352S	(Stainless Steel)	28	2208453	Tube, Drain			
8	2217298	Panel, Interior	29	2208386	Scoop			
9	489385	Clamp, Tube	30	3400884	Screw 8-18 X 5/8			
10	2208377	Insulation	31	2208421	Clip			
11	2217227	Ballast-Back, I.M.	32		Panel, Lower			
13		Bracket, Door		2208382W	(White)	8171307		Cleaner, Icemaker
	2208376	(Left Side)		2208382T	(Biscuit)	503695		Sealer, Cork
	2208375	(Right Side)		2208382B	(Black)			(1/4 Pound)
14	2208483	Clamp		2208382S	(Stainless Steel)	797403		Cement, Insulation
15	2217295	Gasket, Door	33	2208487	Bracket, Spring			(1 Oz.)
16	2208535	Clip	34	2208417	Pin, Hinge	505587		Sealer, Mastic
17		Nameplate	35	489048	Screw, Ground			(1 Qt.)
	2212760	(White)		8-32 X 1/2		212643		Sealer, Gum
	2212761	(Biscuit)	36	2208480	Spring, Hinge			(22 Pcs. 3/16" x 7")
	2212762	(Black)	37		Endcap, Panel	479976		Kit, Insulation
18		Hinge		2208383W	(White)			(5 Pcs. 3" x 24" x 48")
	2208425	(Left Side)		2208383T	(Biscuit)	978025		Valve, Access
	2208426	(Right Side)		2208383B	(Black)			(1/4")
19	2208401	Shim, Hinge	38	2208529	Dampener, Spring	978026		Valve, Access
20		Handle, Door	39	489423	Screw 10-32X11/16			(5/16")
	2208440W	(White)	40	2208449	Holder, Scoop	978027		Valve, Access
	2208440T	(Biscuit)	42	3376439	Leg, Leveler			(3/8")
	2208440B	(Black)	43	2208384	Insulation	978028		Valve, Access
			44		Top			(1/2")
				2929701W	(White)	978029		Valve, Access
				2929701T	(Biscuit)			(5/8")
				2929701B	(Black)	978030		Valve, Access
								(3/4")

Parts Not Illustrated and
Optional Parts (Not Included)

EVAPORATOR, ICE CUTTER GRID AND WATER PARTS

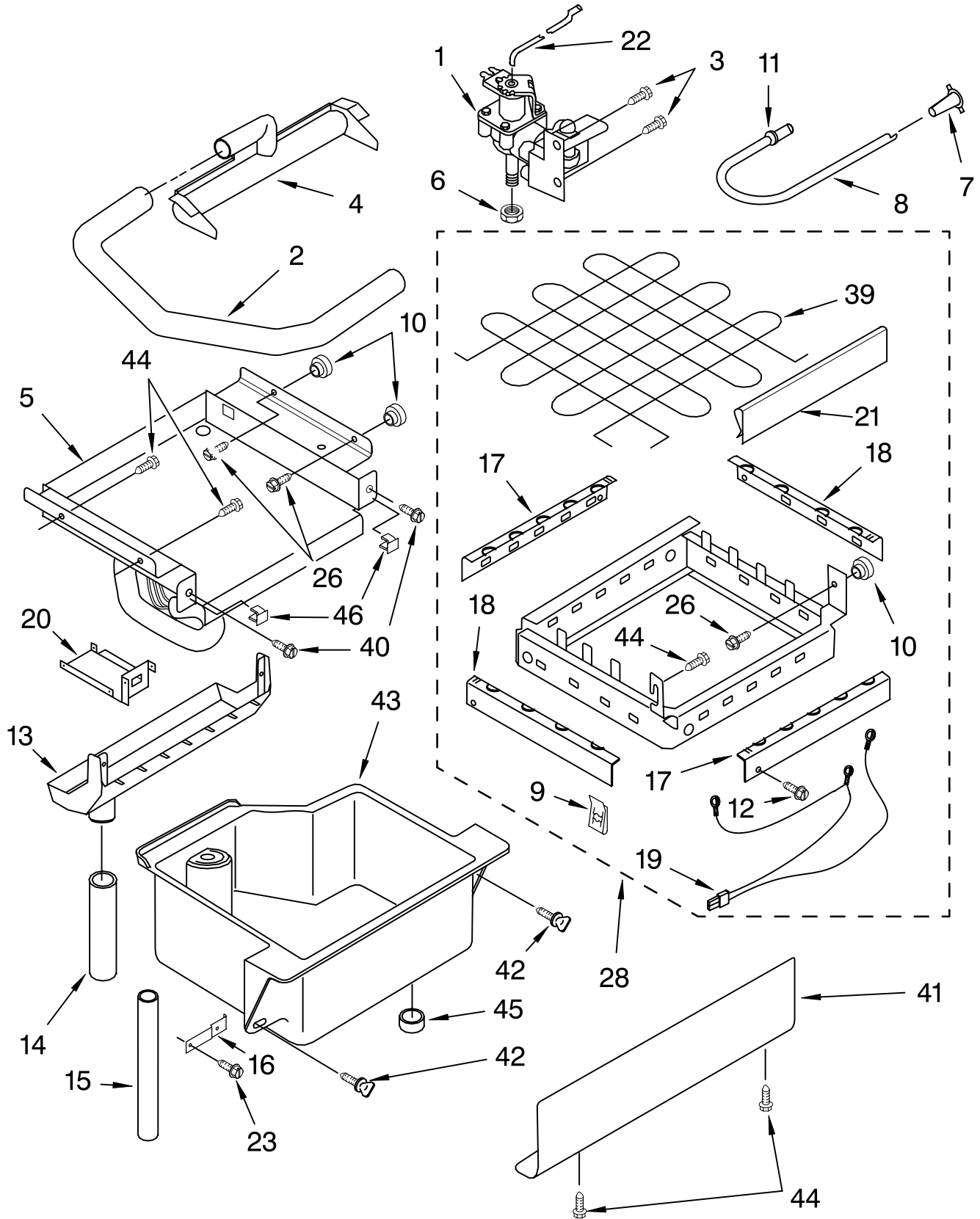
For Models: KUIS18NNJW4, KUIS18NNJT4, KUIS18NNJB4, KUIS18NNJS4

(WHITE)

(BISCUIT)

(BLACK)

(STAINLESS STEEL)



FOR ORDERING INFORMATION REFER TO PARTS PRICE LIST

EVAPORATOR, ICE CUTTER GRID AND WATER PARTS

For Models: KUIS18NNJW4, KUIS18NNJT4, KUIS18NNJB4, KUIS18NNJS4

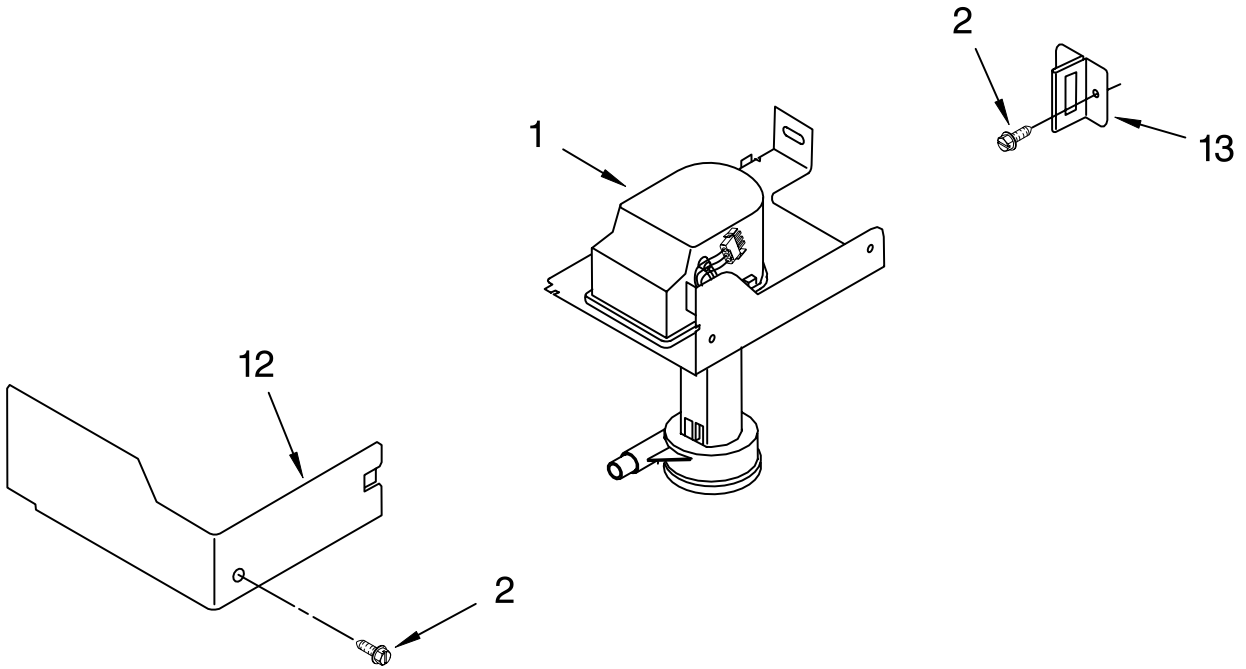
(WHITE) (BISCUIT) (BLACK) (STAINLESS STEEL)

Illus. No.	Part No.	DESCRIPTION
1	2185758	Valve, Complete Water
2	2217286	Tube, Plastic
3	488687	Screw 8-15 X 5/8
4	2185523	Dispenser, Water
5	2217269	Evaporator
6	627018	Nut, Compression
7	841707	Insert, Tube
8	2172593	Tube, Water Fill
9	488660	Nut, Speed
10	836667	Spacer
11	2208539	Fastener, Pushnut
12	489443	Screw
13	2185625	Reservoir, Water Slide
14	2185626	Tube
15	2185673	Hose, Overflow
16	2208372	Support, Reservoir Bracket
17	2185615	Bracket, Front and Rear
18	2185611	Bracket, Side Left and Right
19	2185681	Harness, Grid
20	2208427	Support, Bracket Evaporator/Grid
21	2217310	Guide, Ice Grid
22	2208533	Tube
23	8281193	Screw
26	3400886	Screw 8-18 X 1 1/4
28	2185614	Grid Assembly (Complete)
39	2174754	Wire, Grid Cutter
40	8281192	Screw
41	2208365	Cover, Grid
42	8281228	Thumbscrew
43	2185624	Reservoir, Water
44	3400884	Screw 8-18 X 5/8
45	2185696	Cap, Drain
46	3400909	Nut, Push-In

FOR ORDERING INFORMATION REFER TO PARTS PRICE LIST

PUMP PARTS

For Models: KUIS18NNJW4, KUIS18NNJT4, KUIS18NNJB4, KUIS18NNJS4
 (WHITE) (BISCUIT) (BLACK) (STAINLESS STEEL)

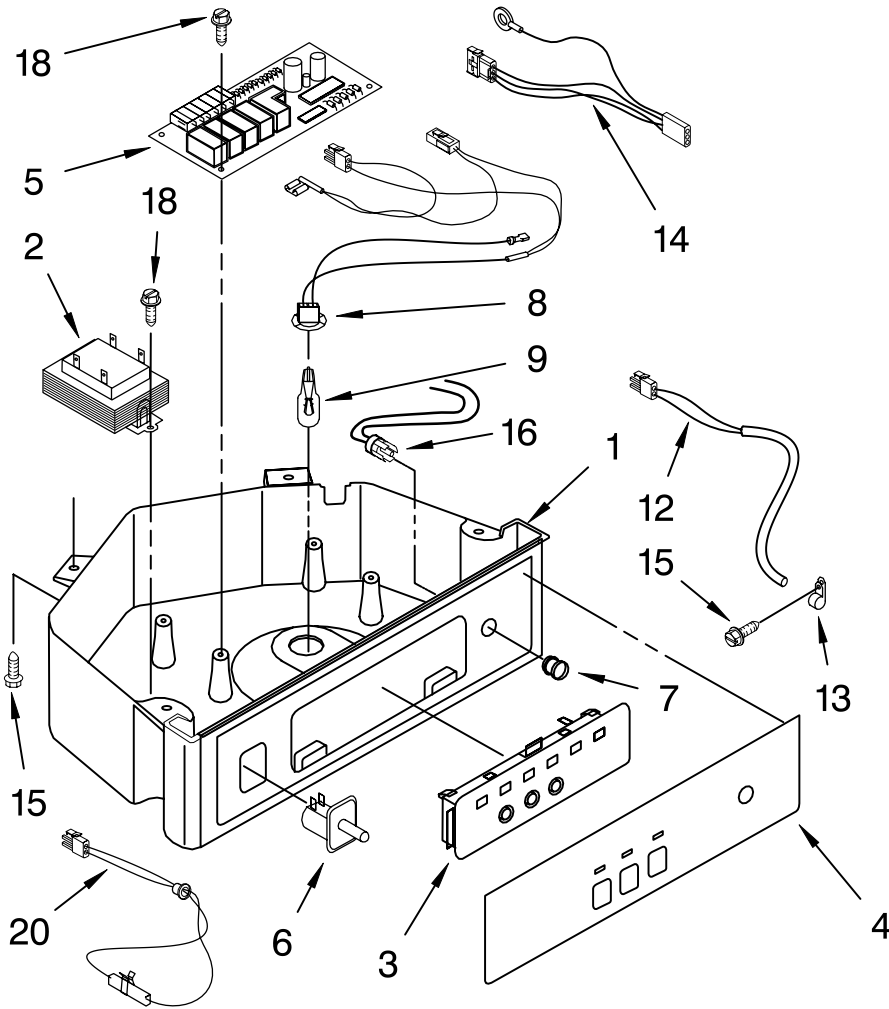


Illus. No.	Part No.	DESCRIPTION
1	2217220	Pump, Water (Complete)
2	3400884	Screw 8-18 X 5/8
12	2185677	Cover, Pump
13	2185585	Bracket, Connector Assembly

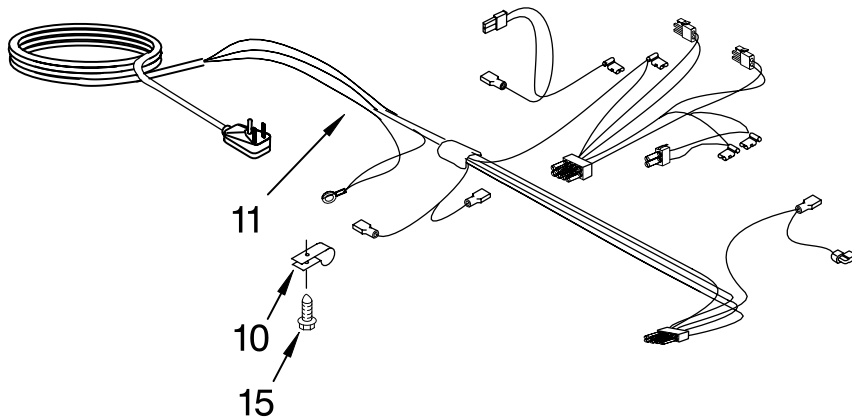
FOR ORDERING INFORMATION REFER TO PARTS PRICE LIST

CONTROL PANEL PARTS

For Models: KUIS18NNJW4, KUIS18NNJT4, KUIS18NNJB4, KUIS18NNJS4
(WHITE) (BISCUIT) (BLACK) (STAINLESS STEEL)



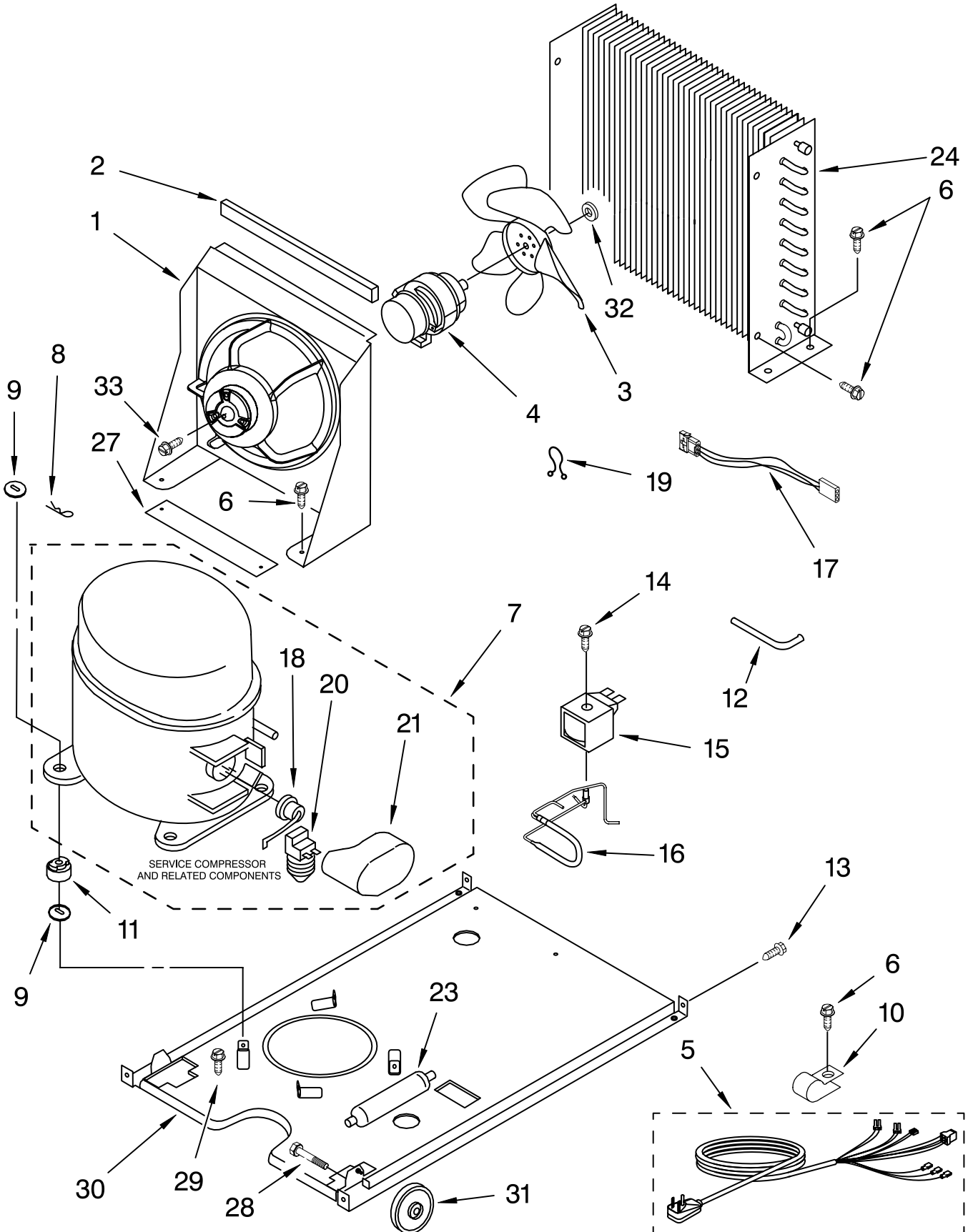
Illus. No.	Part No.	DESCRIPTION
1	2185738	Box, Control
2	2185657	Transformer
3	2185592	Assembly, Switch (ALSO ORDER #4)
4	2208317W	Overlay
5	6100499	P.C. Board
6	2149705	Switch, Plunger
7	2185694	Lens, LED
8	2185692	Wiring Harness Grid/ Light
9	745362	Bulb
10	2185788	Clamp
11	2187286	Wiring Harness, Complete Unit (Includes Power Cord)
12	2217288	Thermostat, Bin
13	2185825	Clamp
14	2185703	Wiring Harness, Main to Pump,
15	3400884	Screw 8-18 X 5/8
16	2187256	LED Assembly
18	3400850	Screw 8-16 X 3/8
20	2217289	Thermister, Ice Control



FOR ORDERING INFORMATION REFER TO PARTS PRICE LIST

UNIT PARTS

For Models: KUIS18NNJW4, KUIS18NNJT4, KUIS18NNJB4, KUIS18NNJS4
(WHITE) (BISCUIT) (BLACK) (STAINLESS STEEL)



FOR ORDERING INFORMATION REFER TO PARTS PRICE LIST

UNIT PARTS

For Models: KUIS18NNJW4, KUIS18NNJT4, KUIS18NNJB4, KUIS18NNJS4
 (WHITE) (BISCUIT) (BLACK) (STAINLESS STEEL)

Illus. No.	Part No.	DESCRIPTION
1	2185532	Bracket, Fan Mtg.
2	2185675	Pad, Foam
3	2190685	Blade, Fan
4	2188537	Motor, Fan
5		Wiring Harness, Complete Unit (See #11 On Control Panel Parts Page)
6	304392	Screw 8-18 X 1/2
7	2208370	Compressor
8	A201435	Clip, Mounting
9	A201441	Shim (4)
10	2185960	Clamp (Power Cord)
11	2217318	Grommet (4)
12	2208415	Tube, Process
13	489423	Screw
14	489472	Screw
15	759112	Coil, Solenoid
16	2208413	Valve, Body
17	2187267	Wiring Harness, Condenser Fan
18	2217223	Overload
19	2217322	Twist Loc
20	2217224	Relay, Start
21	2208371	Cover, Terminal
23	2209223	Drier
24	2185529	Condenser
27	2185858	Pad, Foam (2)
28	3370389	Screw 10-32X15/16
29	488500	Screw, Ground 8-32 X 3/8
30	2217205	Base, Unit
31	302819	Wheel
32	486692	Nut, Speed
33	489494	Screw 8-32 X 3/4

REFRIGERANT CHARGE

6.5 OZ. (R134A)



FOR ORDERING INFORMATION REFER TO PARTS PRICE LIST