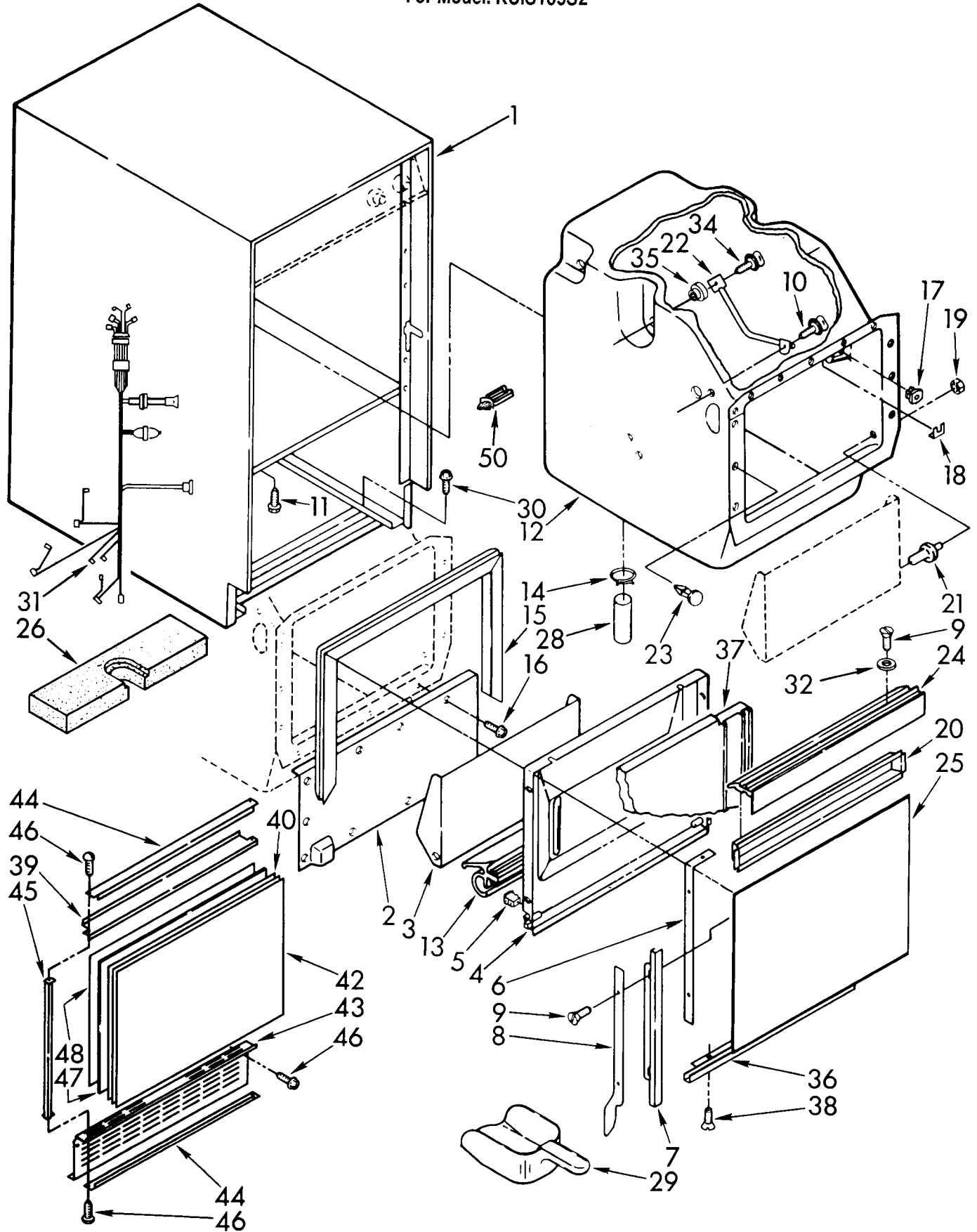


For Model: KUIS185S2



3/94

1	758908	Shell
2	758652	Front, Shell
3	756330	Door, Inner Bin
4	758655	Liner, Door
5	593192	Plug, Hinge
6	593104	Strip, Tapping (2)
7	758748	Trim, Door (2)
8	593184	Rail, R.S.
	593185	Rail, L.S.
9	681459	Screw, 8-32 x 1/2 (6)
10	680930	Thumbscrew
11	681036	Screw, Ground
12	756350	Liner (Includes Illus. 17, 18, 19, 20 & 21)
13	758169	Gasket, Bottom
14	596023	Clamp (2)
15	758921	Gasket
16	595431	Screw, 8-32 x 3/8
17	596807	Grommet
18	758492	Washer
19	681542	Nut, 1/4 Hex
20	758752	Pocket, Handle
21	758220	Stud (2)
22	593183	Well, Bin Thermostat
23	596812	Clip, Panel (12)
24	758622	Handle, Recessed
25		Panel, Exterior
	758746	White & Black
	758745	Almond & Harvest Gold
26	756891	Insulation Bottom, Foam
28	593577	Connector, Hose
29	585158	Scoop
30	680811	Screw, 10-32 x 3/8
31	758838	Harness, Cabinet
32	681613	Washer, Plastic
34	681419	Thumbscrew, 10-1/2
35	596715	Well Nut (3)
36	758400	Trim, Door (Lower)
37	758608	Insulation, Door
38	681196	Screw
39	758718	Support, Front Panel
40	758720	White & Black Panel
42	758722	Almond & Harvest Gold Panel
43	758769	Grille Font, Panel
44	758717	Trim Front, Panel (Top & Bottom)
45	758714	Trim Front, Panel (Side)
46	489196	Screw (4)
47	758770	Filler Panel
48	758771	Panel, Inner
50	758844	Retainer, Wire

Miscellaneous

	503695	Cork Sealer
	206922	*Primer, White (12 Oz. Spray Can)
	206925	*Leveler, Enamel (12 Oz. Spray Can)
	350956	*Enamel, Almond (13 Oz. Spray Can)
	758469	Grid Assembly Complete (Standard Cube)
	758470	Grid Assembly Complete (Cubelets 3/4 x 3/4)

876649	Leg Kit
702354	Ice Deflector Kit
978025	Valve, Access (1/4")
978026	Valve, Access (5/16")
876764	Valve Access (3/16")

DRAIN PUMP KIT

758840	Model #EKDP1
--------	--------------

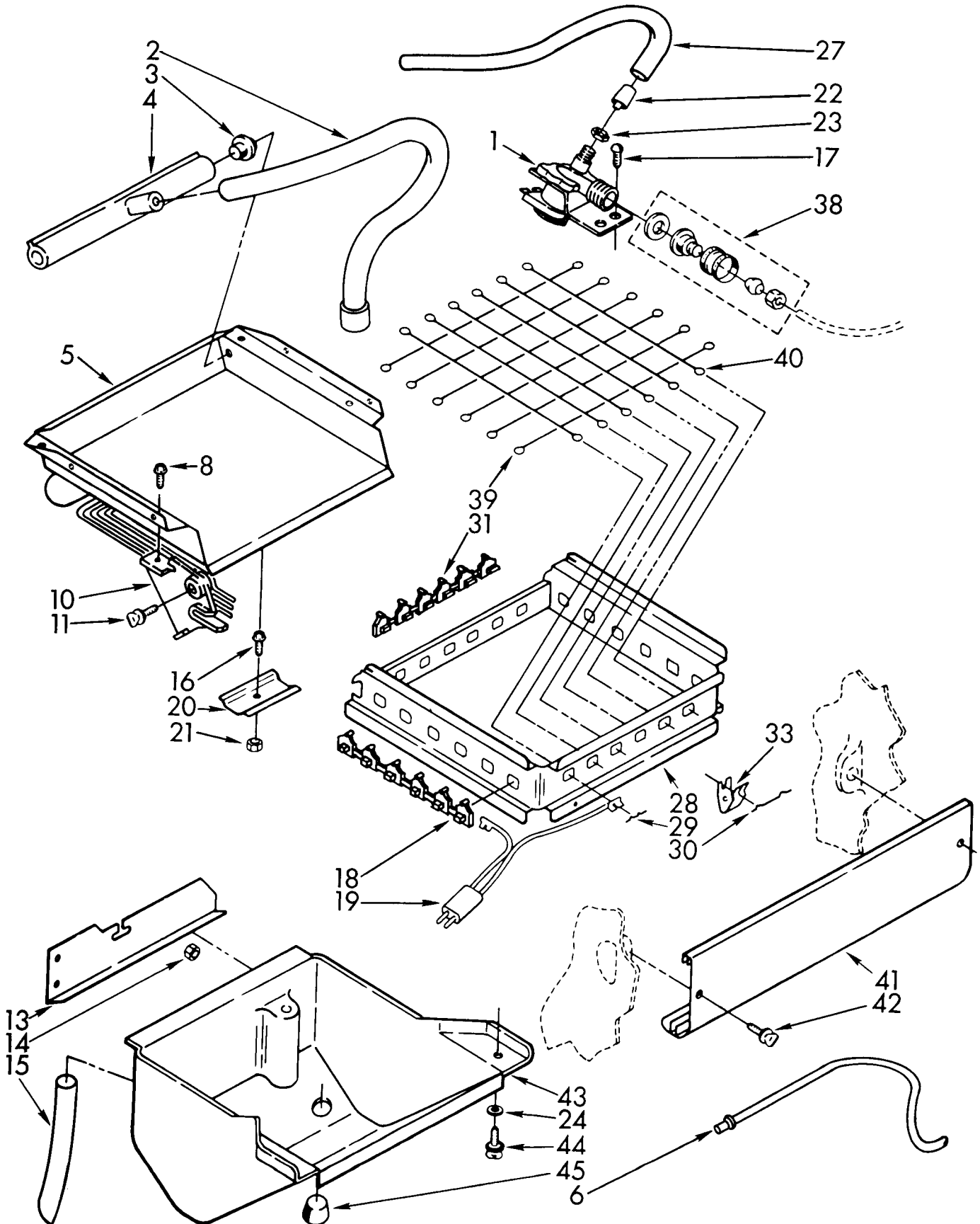
LITERATURE PARTS

LIT758860	Tech Sheet
LIT758842	Instructions, Installation
LIT758491	Guide, Use and Care
LIT758846	Wiring Diagram

*Note: DO NOT Spray Paints Where They May Come In Contact With Door Gaskets.

EVAPORATOR, GRID AND PUMP PARTS

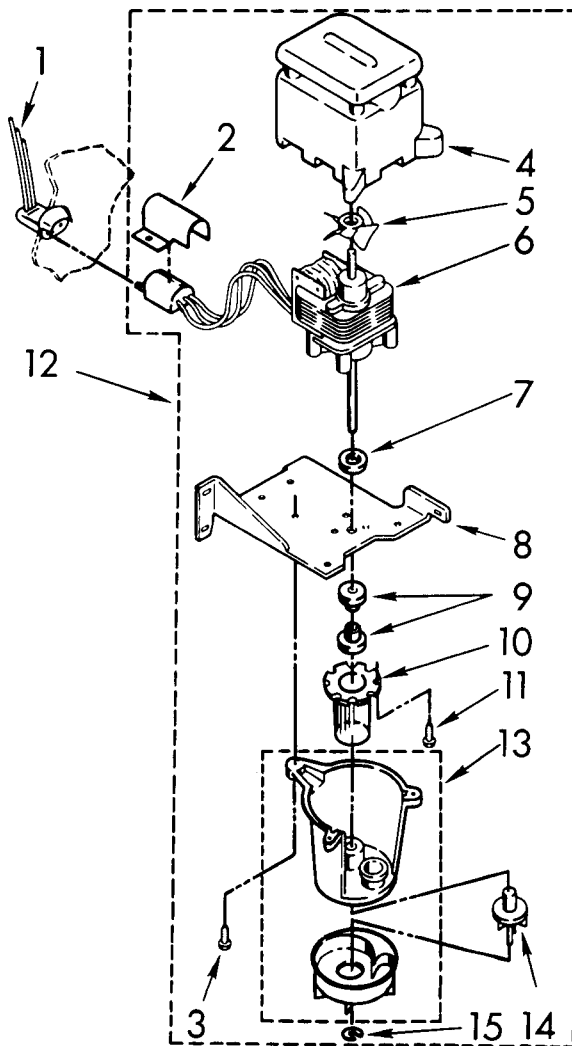
For Model: KUIS185S2



1	759296	Valve, Complete Water
2	585856	Tube, Plastic
3	758597	Plug
4	585813	Dispenser, Water
5	758028	Evaporator
6	759213	Tube, Water Fill Assy.
8	489049	Screw 10-12 x 1/2
10	756564	Bracket, Grid Mounting (2)
11	681611	Thumbscrew
13	585853	Shelf, Water Pan
14	681770	Nut, Acorn (3)
15	759109	Hose, Overflow
16	596037	Screw, 10-32 x 1/2
17	681305	Screw, 1/4 x 20 x 1 3/4
18	758910	Insulator, Grid
19	587639	Cord, Grid
20	587662	Clamp
21	681676	Nut, Hex 10-32
22	841707	Insert
23	627018	Nut & Sleeve Assembly
24	681245	Washer
27	758037	Tube, Plastic
28	759200	Frame, Grid
29	587111	Pin (17)
30	587112	Pin (4)
31	758909	Insulator, Grid
33	759197	Clip (19)
38	2165477	Adapter
39	587503	Wire Grid Cutter (9)
40	587504	Wire Grid Cutter (10)
41	593171	Panel, Grid
42	681534	Thumbscrew, 10-32 x 3/4
43	756659	Pan
44	681419	Thumbscrew, 10 x 1/2
45	759043	Stopper, Water Pan

For Model: KUIS185S2

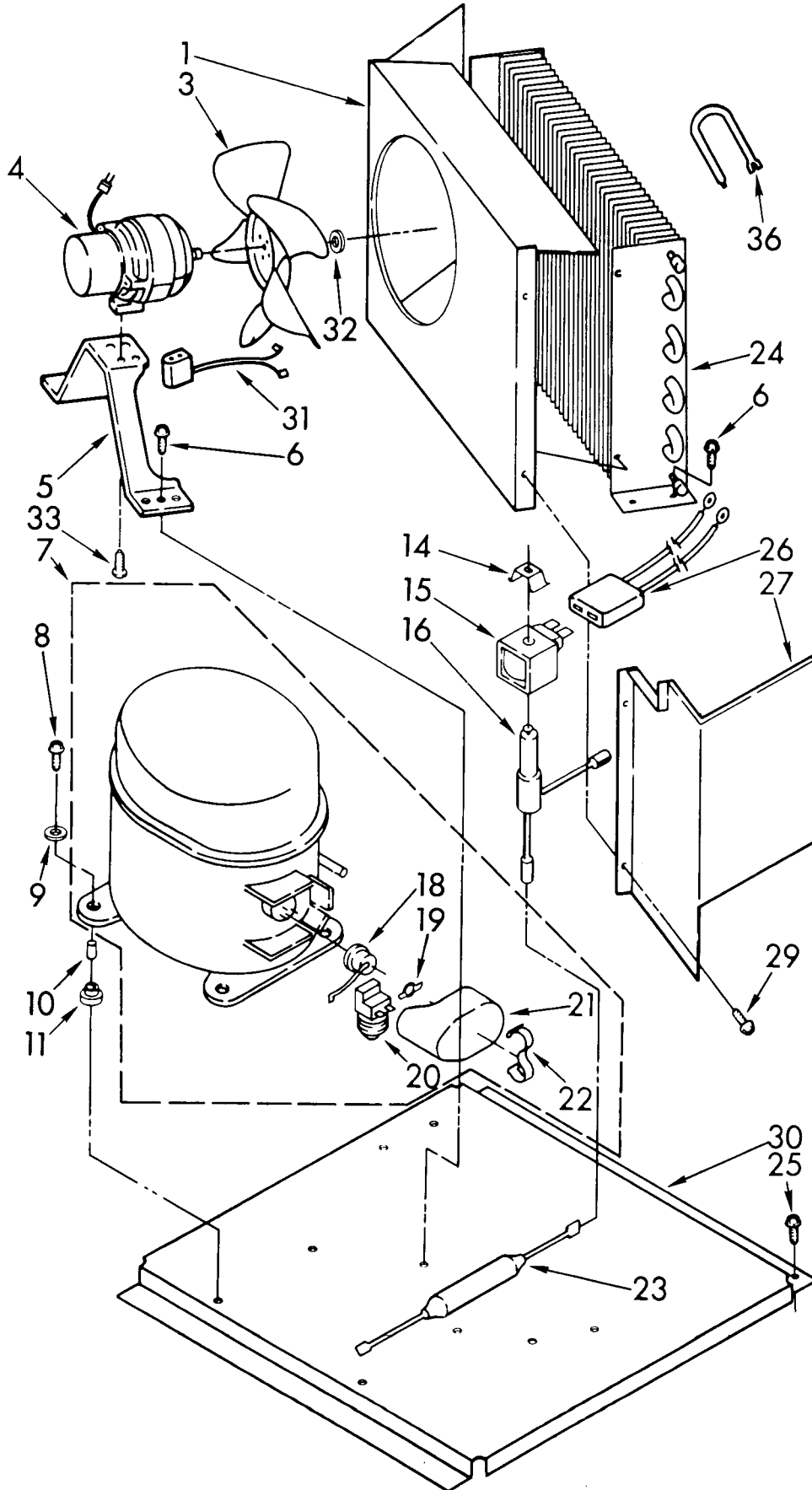
PUMP PARTS



1	569434	Plug, Pump
2	756124	Cover, Plug
3	681391	Screw, 8-18 x 3/4
4	583155	Housing, Motor
5	587096	Blade, Fan
6	1127834	Motor, Pump
7	583424	Washer
8	756122	Bracket, Pump
9	596016	Grommet (2)
10	593229	Sleeve
11	681390	Screw, 8-32 x 3/8
12	756782	Pump, Water Complete Assembly
13	583518	Pump Assembly
14	569513	Impeller (Includes Retaining Ring 15)
15	681301	Ring, Retainer

UNIT PARTS

For Model: KUIS185S2



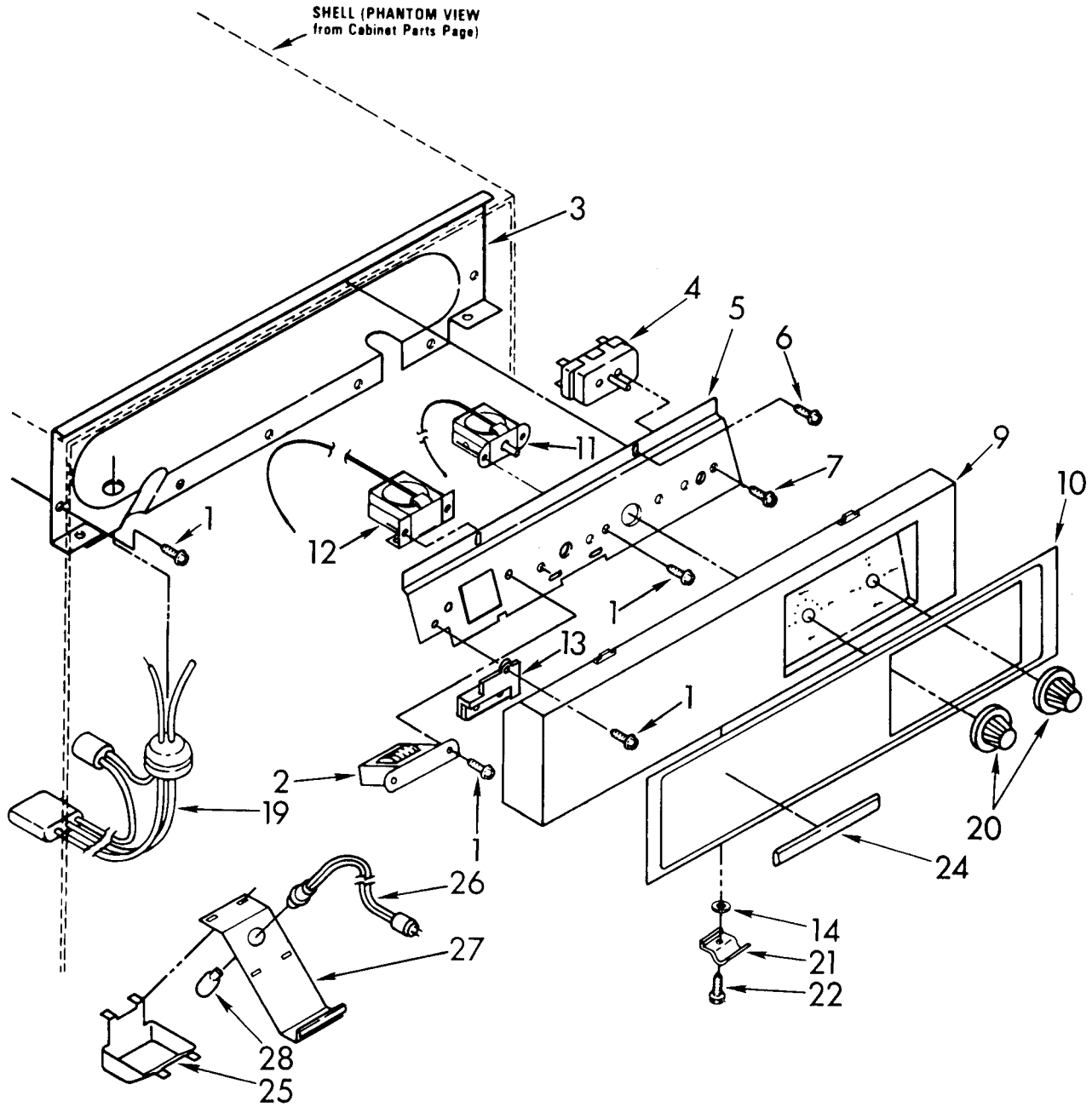
1	757955	Shroud
3	572728	Blade, Fan
4	1108089	Motor, Fan
5	560817	Bracket
6	681305	Screw, 1/4-20 x 1/2 (5)
7	758593	Compressor
8	680233	Screw (4)
9	595230	Washer (4)
10	585564	Sleeve (4)
11	596355	Grommet (4)
14	564234	Clamp, Coil Retainer
15	587970	Coil, Solenoid
16	598086	Valve Body
18		Overload
	758638	Production
	589231	Service
19		Spring, Overload
	549086	Service
20		Relay, Start
	758637	Production
	549337	Service
21		Cover, Terminal
	1108115	Production
	549336	Service
22		Retainer, Cover
	938384	Production
	549342	Service
23	755649	Drier
24	756299	Condenser
25	680811	Screw
26	587971	Harness, Coil
27	758811	Deflector, Front
29	681167	Screw
30	758810	Base, Unit
31	585219	Plug, Fan Motor
32	681650	Washer, Conical (Included With Fan Motor)
33	489199	Screw, Self Tap (Included With Fan Motor)
36	756298	Accumulator

REFRIGERANT CHARGE 7 OZ.

Production Compressor Requires Production Electrical Components. Service Compressor Requires Service Electrical Components. For Further Information, Refer to Filmcard 19.1.

ESCUTCHEON AND CONTROL PARTS

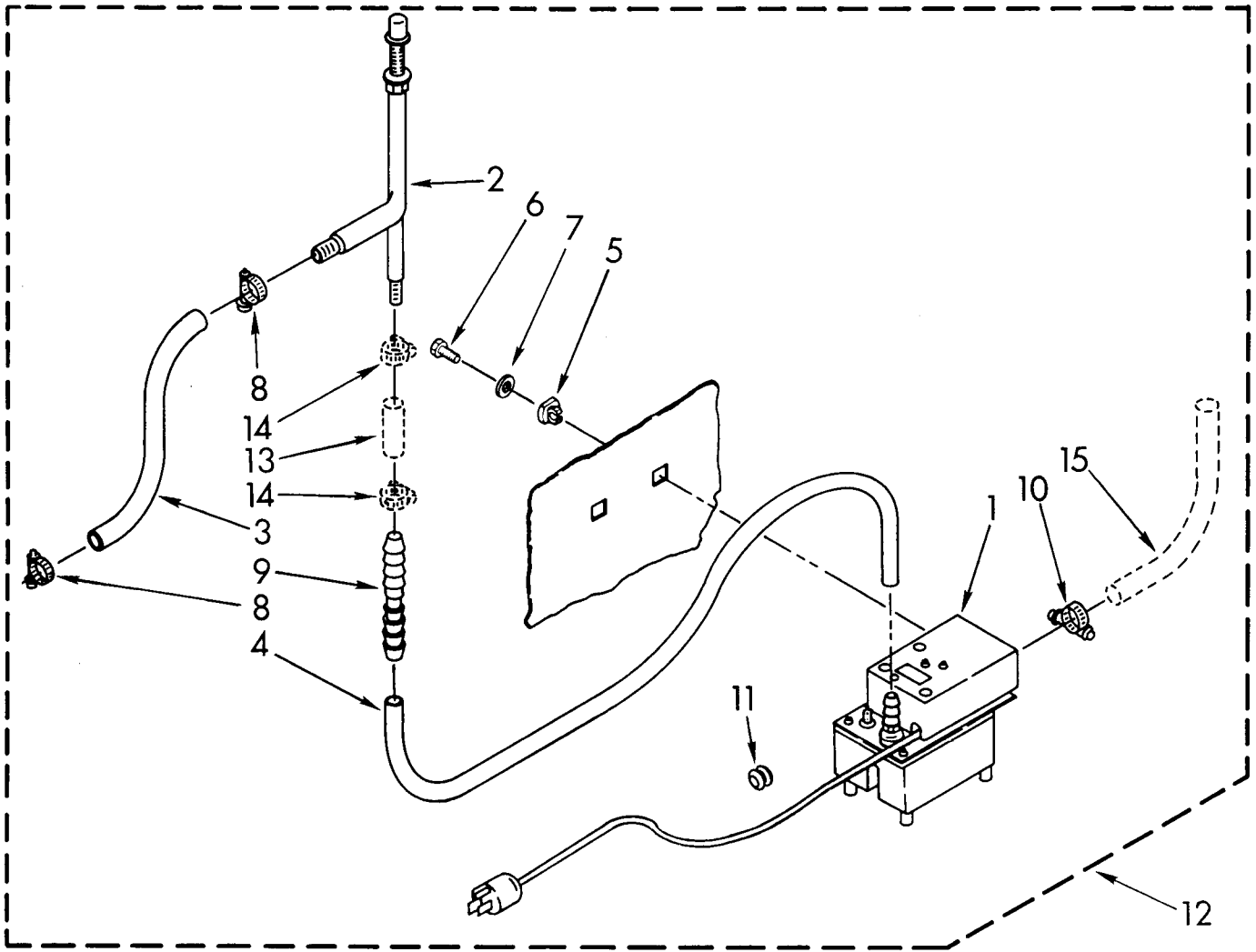
For Model: KUIS185S2



1	681036	Screw
2	758414	Transformer
3	2165530	Escutcheon, Panel
4	593139	Switch, Service
5	2172846	Bracket, Control
6	595431	Screw, 8-15 x 3/8
7	595005	Screw, 8-32 x 1/4
9	758978	Escutcheon
10	758726	Decal, Escutcheon
11	2157321	Thermostat, Evaporator
12	2165478	Thermostat, Bin Control
13	2172848	Switch, Light (Magnetic)
14	681245	Washer
19	758567	Harness, Grid
20	758711	Knob (2)
21	759007	Latch
22	680964	Screw, 8-32 x 1/2
24	2165572	Nameplate
25	758489	Shield Clamp
26	758488	Harness Clamp
27	758490	Bracket Clamp
28	745362	Light Bulb

DRAIN PUMP PARTS

For Model: KUIS185S2



1	758913	Pump, Condensate Drain
2	300096	Air Gap
3	770966	Hose 7/8I.D. x 20.0" (Air Gap to Discharge)
4	758915	Hose, 3/8I.D. x 14 3/8" (Pump to Air Gap)
5	596807	Grommet, Mtg (2)
6	486298	Screw, S.M. #8-15 x 3/4" (2)
7	486713	Washer (2)
8	596572	Clamp, Hose (2)
9	758918	Connector, Hose
10	65349	Clamp, Hose (2)
11	758919	Bushing, Cord
12	758840	Pump, Condensate Drain (Complete Kit)

Following Parts Not Included With Pump Kits. Parts Are Provided With Original Model.

13	593577	Hose, 5/8 x 4" (Connector to Air Gap)
14	596023	Clamp, Hose (2)
15	593369	Hose, 1/2I.D. x 12" (Bin to Pump)