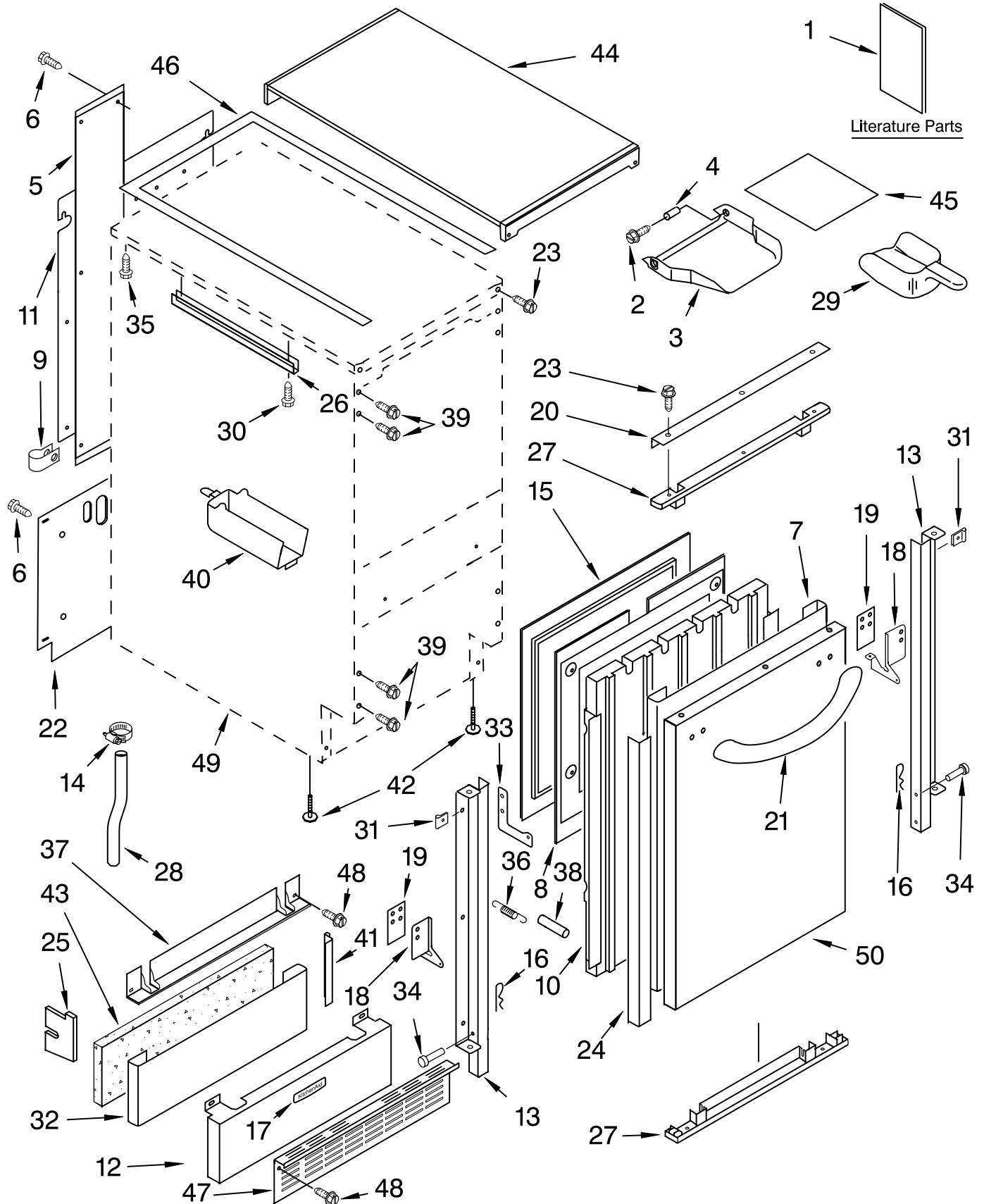


CABINET LINER AND DOOR PARTS

For Models: KUIS185JSS3
(STAINLESS STEEL)

ICE CUBE
MAKER

KitchenAid®



FOR ORDERING INFORMATION REFER TO PARTS PRICE LIST

CABINET LINER AND DOOR PARTS

For Models: KUIS185JSS3
(STAINLESS STEEL)

| Illus. No. | Part No. | DESCRIPTION | Illus. No. | Part No. | DESCRIPTION | Illus. No. | Part No. | DESCRIPTION |
|------------|------------|-----------------------------------|------------|----------|---------------------------|--|----------|---|
| 1 | LIT2217251 | Literature Parts Use & Care Guide | 23 | 8281186 | Screw, Handle (Black) | 47 | 2217206B | Grill, Front (Black) |
| | LIT2217232 | Service & Wiring Sheet | 24 | 2208595B | Grommet, Edge Guard(2) | 48 | 489474 | Screw 8-18 X 1 |
| 2 | 3400886 | Screw 8-18 X 1 1/4 | 25 | 2217225 | Pad, Foam | 49 | | Cabinet & Liner (NOT SERVICED) |
| 3 | 2208354 | Bin, Door | 26 | 2185691 | Channel, Wiring | 50 | 2208593S | Panel, Wrap |
| 4 | 2185678 | Spacer | 27 | 2208350B | Endcap, Door (Black) | Parts Not Illustrated and Optional Parts (Not Included) | | |
| 5 | 2217394 | Cover, Wiring | 28 | 2208453 | Tube, Drain | 8171307 | | Cleaner, Icemaker |
| 6 | 489442 | Screw | 29 | 2208386 | Scoop | 503695 | | Sealer, Cork (1/4 Pound) |
| 7 | 2208352B | Panel, Exterior (Black) | 30 | 3400884 | Screw 8-18 X 5/8 | 797403 | | Cement, Insulation (1 Oz.) |
| 8 | 2208353 | Panel, Interior | 31 | 2208421 | Clip | 505587 | | Sealer, Mastic (1 Qt.) |
| 9 | 489385 | Clamp, Tube | 32 | 2208382B | Panel, Wrap Lower (Black) | 212643 | | Sealer, Gum (22 Pcs. 3/16" x 7") |
| 10 | 2208377 | Insulation | 33 | 2208487 | Bracket, Spring | 479976 | | Kit, Insulation (5 Pcs. 3" x 24" x 48") |
| 11 | 2217227 | Ballast-Back, I.M. | 34 | 2208417 | Pin, Hinge | 2261590 | | Cleaner, Stainless Steel |
| 12 | 2208594S | Panel, Lower (Stainless) | 35 | 489048 | Screw, Ground 8-32 X 1/2 | 978025 | | Valve, Access (1/4") |
| 13 | 2208376 | Bracket, Door (Left Side) | 36 | 2208570 | Spring, Hinge | 978026 | | Valve, Access (5/16") |
| | 2208375 | (Right Side) | 37 | 2208383B | Endcap, Panel (Black) | 978027 | | Valve, Access (3/8") |
| 14 | 489503 | Clamp | 38 | 2208530 | Dampener, Spring | 978028 | | Valve, Access (1/2") |
| 15 | 2208361 | Gasket, Door | 39 | 489423 | Screw 10-32X11/16 | 978029 | | Valve, Access (5/8") |
| 16 | 2208535 | Clip | 40 | 2208449 | Holder, Scoop | 978030 | | Valve, Access (3/4") |
| 17 | 2217214B | Nameplate (Black) | 41 | 2208596B | Grommet, Edge guard(2) | | | |
| 18 | 2208425 | Hinge (Left Side) | 42 | 3376439 | Leg, Leveler | | | |
| | 2208426 | (Right Side) | 43 | 2208384 | Insulation | | | |
| 19 | 2208401 | Shim, Hinge | 44 | 2929701B | Top Black | | | |
| 20 | 2208452B | Handle, Icemaker (Black) | 45 | 2185690 | Shield, Electrical | | | |
| 21 | 2208597S | Handle, Bar | 46 | 2217296 | Gasket, Top Panel | | | |
| 22 | 2208399 | Assembly, Unit Cover | | | | | | |

FOR ORDERING INFORMATION REFER TO PARTS PRICE LIST

EVAPORATOR, ICE CUTTER GRID AND WATER PARTS

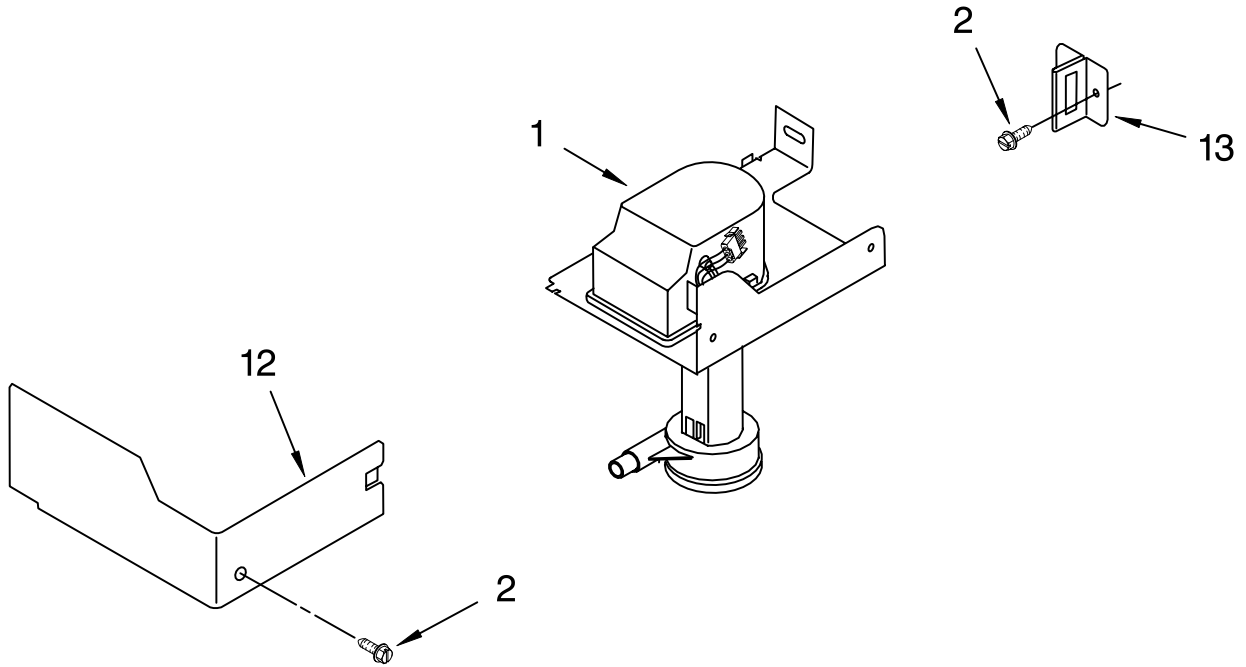
For Models: KUIS185JSS3
(STAINLESS STEEL)

| Illus. No. | Part No. | DESCRIPTION |
|-----------------------|---------------------|-------------------------------------|
| 1 | 2185758 | Valve, Complete Water |
| 2 | 2217286 | Tube, Plastic |
| 3 | 488687 | Screw 8-15 X 5/8 |
| 4 | 2185523 | Dispenser, Water |
| 5 | 2217269 | Evaporator |
| 6 | 627018 | Nut, Compression |
| 7 | 841707 | Insert, Tube |
| 8 | 2172593 | Tube, Water Fill |
| 9 | 488660 | Nut, Speed |
| 10 | 836667 | Spacer |
| 11 | 2208539 | Fastener, Pushnut |
| 12 | 489443 | Screw |
| 13 | 2185625 | Reservoir, Water Slide |
| 14 | 2185626 | Tube |
| 15 | 2185673 | Hose, Overflow |
| 16 | 2217378 | Support, Reservoir Bracket |
| 17 | 2185615 | Bracket, Front and Rear |
| 18 | 2185611 | Bracket, Side Left and Right |
| 19 | 2185681 | Harness, Grid |
| 20 | 2208427 | Support, Bracket Evaporator/Grid |
| 21 | 2217310 | Guide, Ice Grid |
| 22 | 2208533 | Tube |
| 23 | 8281193 | Screw |
| 26 | 3400886 | Screw 8-18 X 1 1/4 |
| 28 | 2185614 | Grid Assembly (Complete) |
| 39 | 2174754 | Wire, Grid Cutter |
| 40 | 8281192 | Screw |
| 41 | 2208365 | Cover, Grid |
| 42 | 8281228 | Thumbscrew |
| 43 | 8201653 | Reservoir, Water |
| 44 | 3400884 | Screw 8-18 X 5/8 |
| 45 | 2185696 | Cap, Drain |
| 46 | 3400909 | Nut, Push-In |

FOR ORDERING INFORMATION REFER TO PARTS PRICE LIST

PUMP PARTS

For Models: KUIS185JSS3
(STAINLESS STEEL)

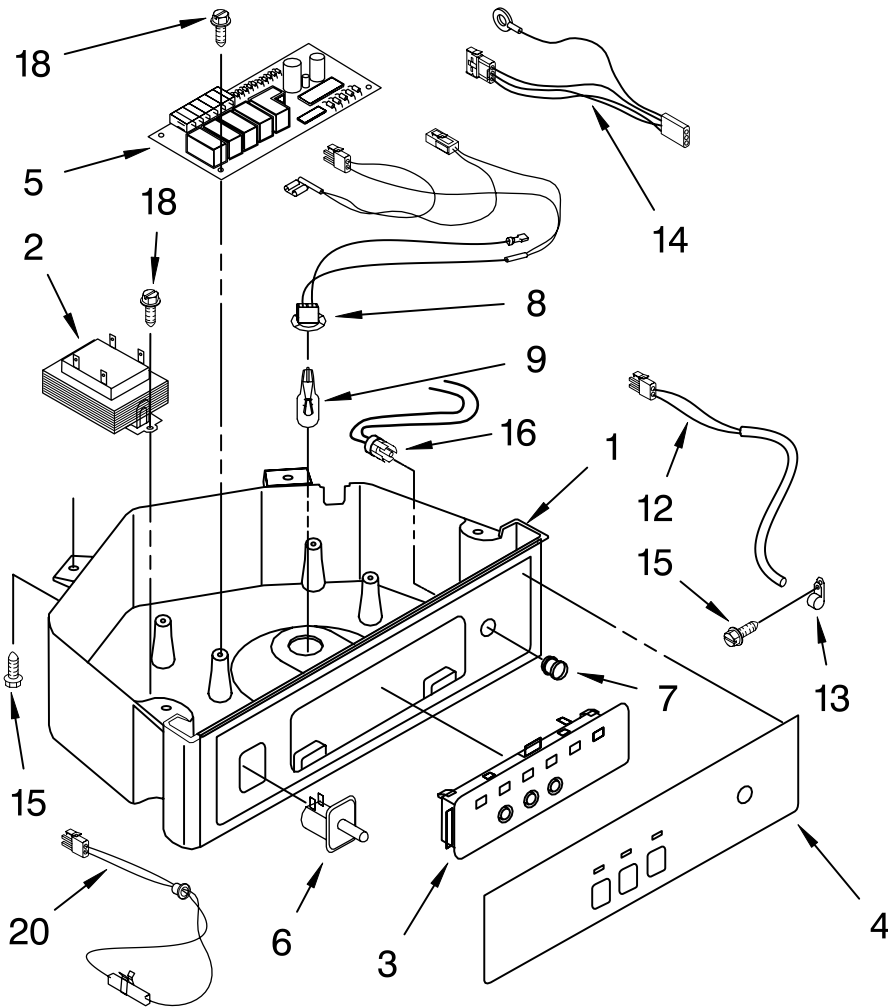


| Illus. No. | Part No. | DESCRIPTION |
|------------|----------|--------------------------------|
| 1 | 2217220 | Pump, Water (Complete) |
| 2 | 3400884 | Screw 8-18 X 5/8 |
| 12 | 2185677 | Cover, Pump |
| 13 | 2185585 | Bracket, Connector Assembly |

FOR ORDERING INFORMATION REFER TO PARTS PRICE LIST

CONTROL PANEL PARTS

For Models: KUIS185JSS3
(STAINLESS STEEL)

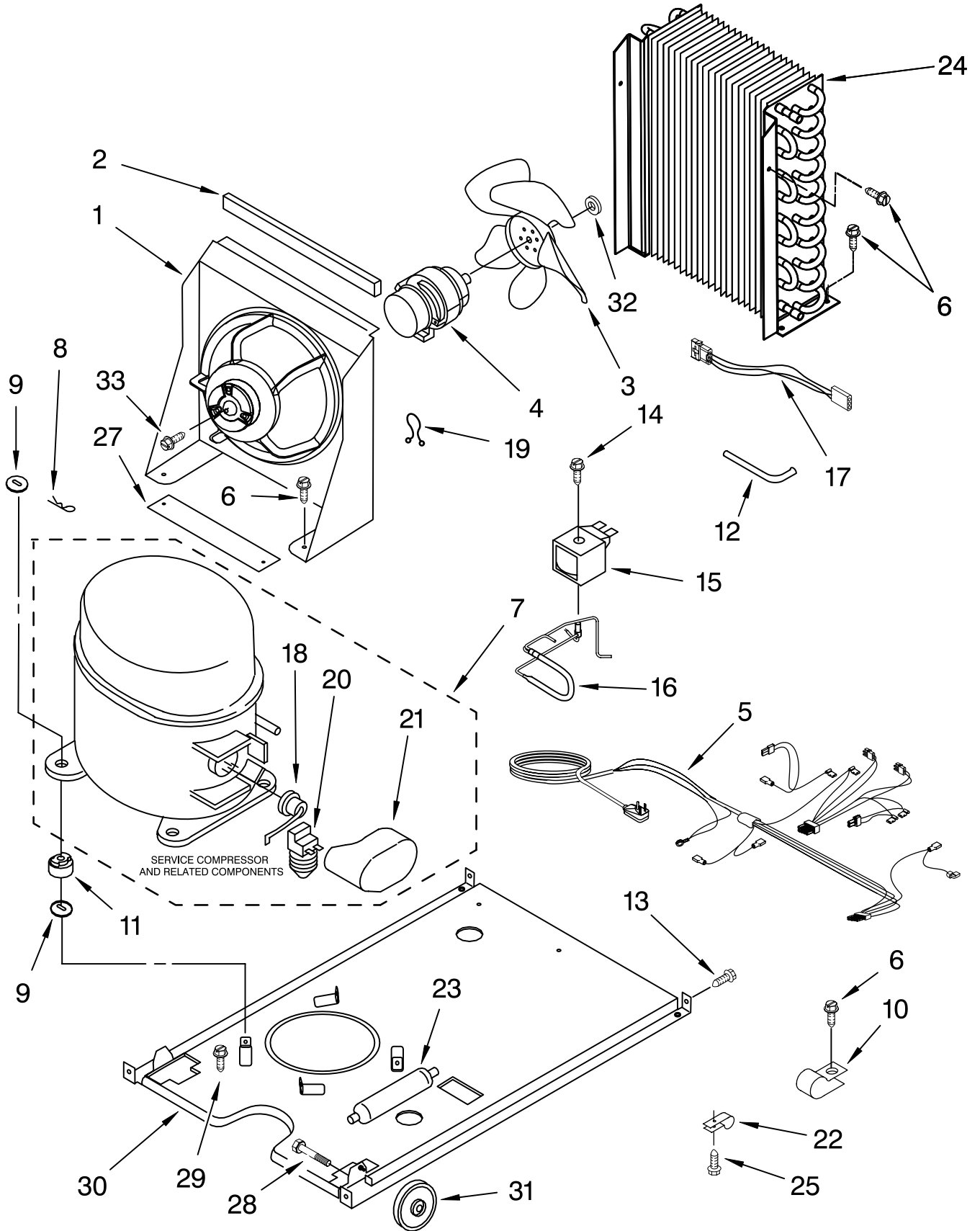


| Illus. No. | Part No. | DESCRIPTION |
|------------|----------|-------------------------------------|
| 1 | 2185738 | Box, Control |
| 2 | 2185657 | Transformer |
| 3 | 2185592 | Assembly, Switch (ALSO ORDER #4) |
| 4 | 2208317W | Overlay |
| 5 | 6100499 | P.C. Board |
| 6 | 2149705 | Switch, Plunger |
| 7 | 2185694 | Lens, LED |
| 8 | 2185692 | Wiring Harness Grid/ Light |
| 9 | 745362 | Bulb |
| 12 | 2217288 | Thermostat, Bin |
| 13 | 2185825 | Clamp |
| 14 | 2185703 | Wiring Harness, Main to Pump, |
| 15 | 3400884 | Screw 8-18 X 5/8 |
| 16 | 2187256 | LED Assembly |
| 18 | 3400850 | Screw 8-16 X 3/8 |
| 20 | 2217289 | Thermister, Ice Control |

FOR ORDERING INFORMATION REFER TO PARTS PRICE LIST

UNIT PARTS

For Models: KUIS185JSS3
(STAINLESS STEEL)



FOR ORDERING INFORMATION REFER TO PARTS PRICE LIST

UNIT PARTS

For Models: KUIS185JSS3
(STAINLESS STEEL)

| Illus. No. | Part No. | DESCRIPTION |
|---------------|-------------|--|
| 1 | 2185532 | Bracket, Fan Mtg. |
| 2 | 2185675 | Pad, Foam |
| 3 | 2190685 | Blade, Fan |
| 4 | 2188537 | Motor, Fan |
| 5 | 2187286 | Wiring Harness, Complete Unit (Includes Power Cord) |
| 6 | 304392 | Screw 8-18 X 1/2 |
| 7 | 2208370 | Compressor |
| 8 | A201435 | Clip, Mounting |
| 9 | A201441 | Shim (4) |
| 10 | 2185960 | Clamp (Power Cord) |
| 11 | 2217318 | Grommet (4) |
| 12 | 2208415 | Tube, Process |
| 13 | 489423 | Screw |
| 14 | 489472 | Screw |
| 15 | 759112 | Coil, Solenoid |
| 16 | 2208413 | Valve, Body |
| 17 | 2187267 | Wiring Harness, Condenser Fan |
| 18 | 2217223 | Overload |
| 19 | 2217322 | Twist Loc |
| 20 | 2217224 | Relay, Start |
| 21 | 2208371 | Cover, Terminal |
| 22 | 2185788 | Clamp |
| 23 | 2209223 | Drier |
| 24 | 2217398 | Condenser |
| 25 | 3400884 | Screw |
| 27 | 2217397 | Pad, Foam (2) |
| 28 | 3370389 | Screw 10-32X15/16 |
| 29 | 488500 | Screw, Ground 8-32 X 3/8 |
| 30 | 2217205 | Base, Unit |
| 31 | 302819 | Wheel |
| 32 | 486692 | Nut, Speed |
| 33 | 489494 | Screw 8-32 X 3/4 |

REFRIGERANT CHARGE

6.5 OZ. (R134A)

