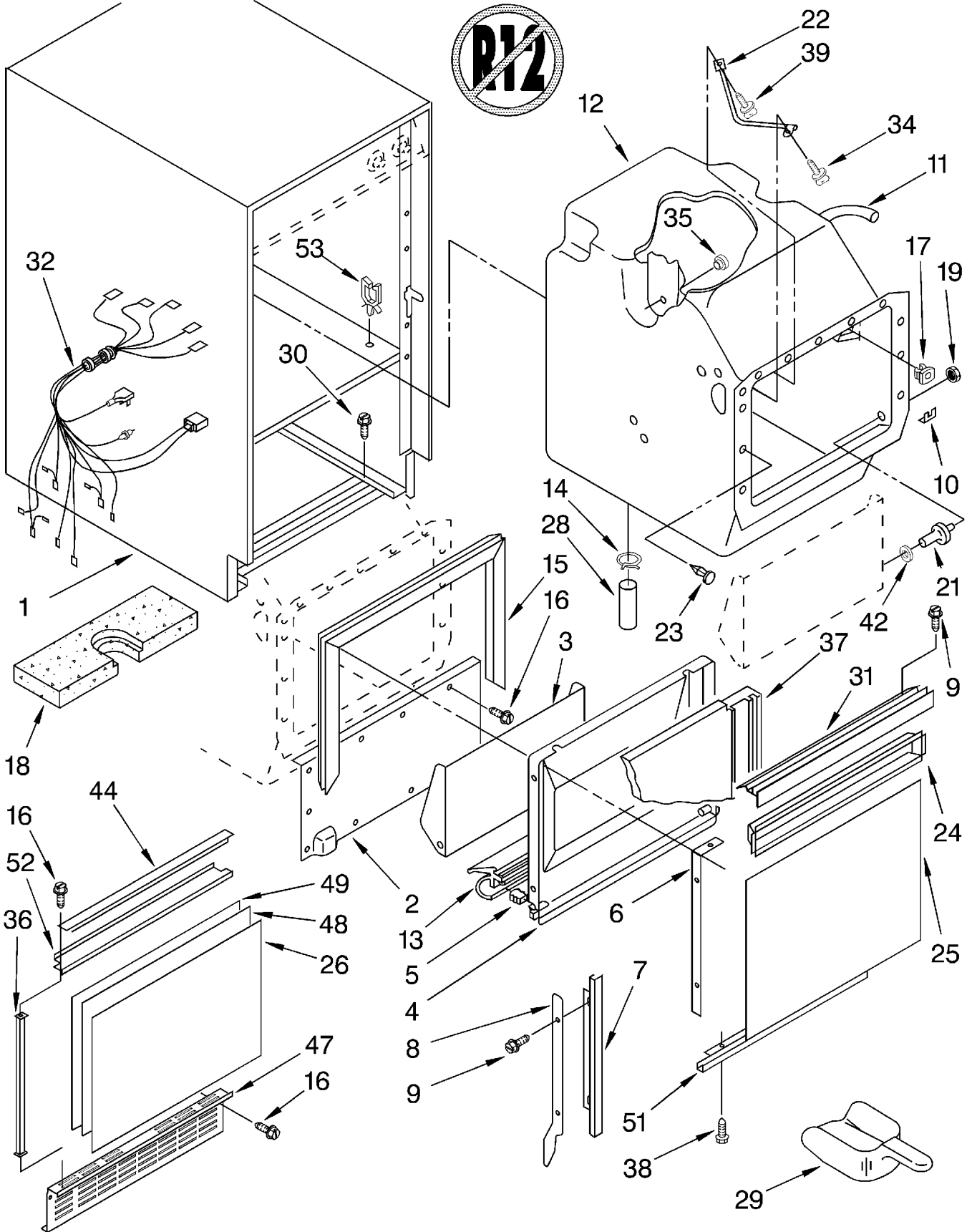


# CABINET LINER AND DOOR PARTS

For Model: KUIS185EWH1

ICE CUBE  
MAKER

## KitchenAid®



1	2175636	Shell
2	2175619	Front, Shell
3	756330	Door, Inner Bin
4	758655	Liner, Door
5	593192	Plug, Hinge
6	593104	Strip, Tapping (2)
7	2175667	Trim, Door (2)
8	593184	Rail, R.S.
	593185	Rail, L.S.
9	681459	Screw, 8-32 x 5/8 (6)
10	758492	Washer (2)
11	759213	Tube, Water Fill
12	2180752	Liner (Includes Nos. 10, 11, 17, 19, 21, and 35)
13	2172898	Gasket, Bottom
14	596023	Clamp (2)
15	758921	Gasket
16	487909	Screw #8 x 1/2
17	596807	Grommet
18	756891	Insulation, Bottom, Foam
19	681542	Nut
21	758220	Stud (2)
22	593183	Well, Bin Thermostat
23	596812	Clip, Panel (12)
24	2175669	Pocket, Handle
25	758746	Panel, Exterior
26	758720	Panel, Outer
28	593577	Connector, Hose
29	585158	Scoop
30	680811	Screw, 10-32 x 3/8
31	2175668	Handle, Recessed
32	2174781	Harness, Cabinet
34	680930	Thumbscrew, 10-1/2
35	596715	Well Nut (3)
36	2175671	Trim, Side (2)
37	758608	Insulation, Door
38	681196	Screw
39	681419	Thumbscrew
42	681613	Washer
44	2175672	Trim, Top And Bottom
47	759132	Grill, Front
48	758770	Panel, Filler
49	758771	Panel, Inner
51	2175666	Trim, Door (Lower)
52	2175604	Support, Front
53	489482	Retainer, Wire

FOLLOWING PARTS NOT ILLUSTRATED

503695	Sealer, Cork (1/4 Pound)
797403	Cement, Insulation (1 Oz.)
505587	Sealer, Mastic (1 Qt.)
212643	Sealer, Gum (22 Pcs. 3/16" x 7")
479976	Kit, Insulation (5 Pcs. 3" x 24" x 48")
978025	Valve, Access (1/4")
978026	Valve, Access (5/16")
978027	Valve, Access (3/8")
978028	Valve, Access (1/2")
978029	Valve, Access (5/8")

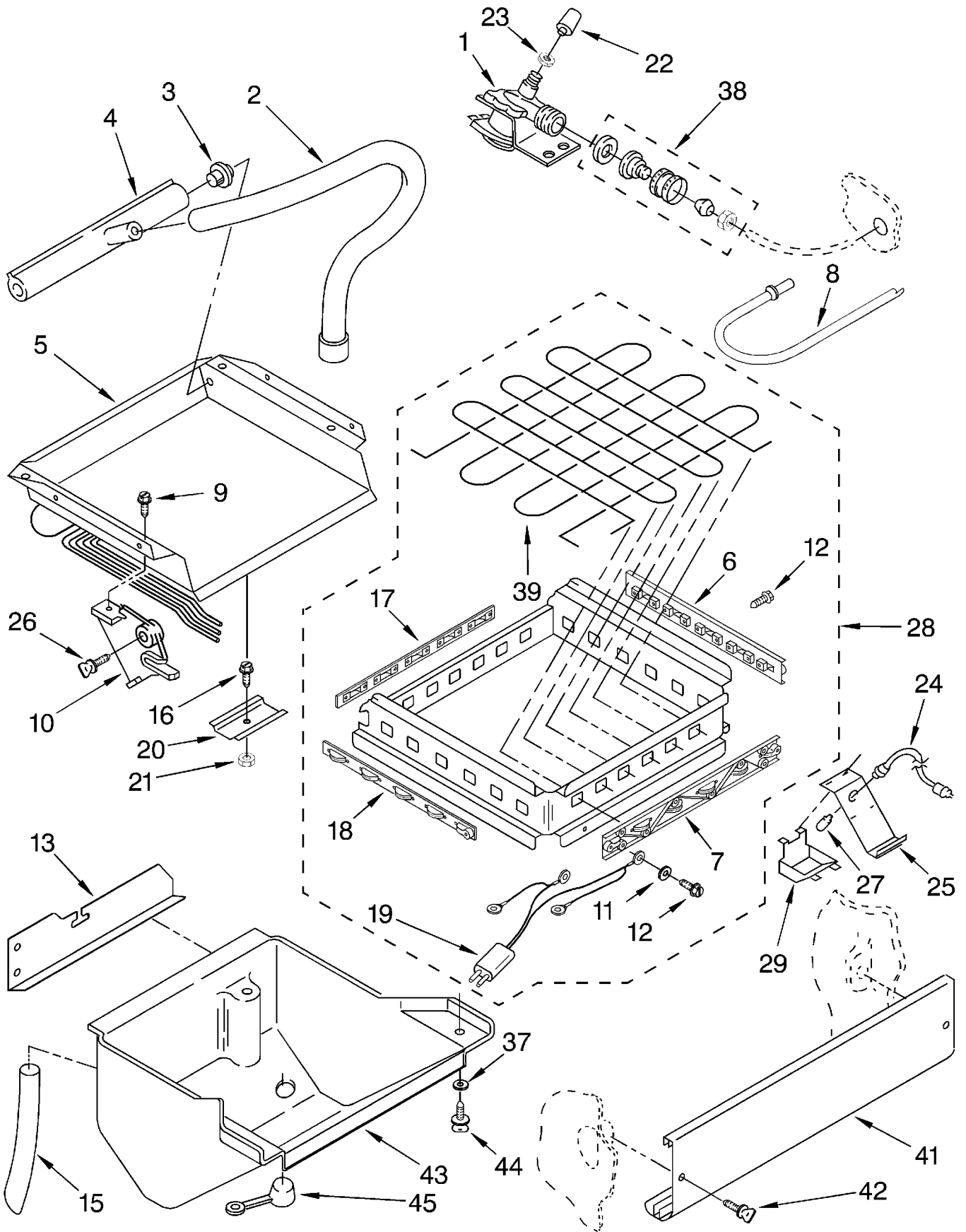
978030 Valve, Access (3/4")

LITERATURE PARTS

LIT2175674 Use & Care Guide  
LIT2175675 Instructions, Installation  
LIT2180830 Service and Wiring Sheet

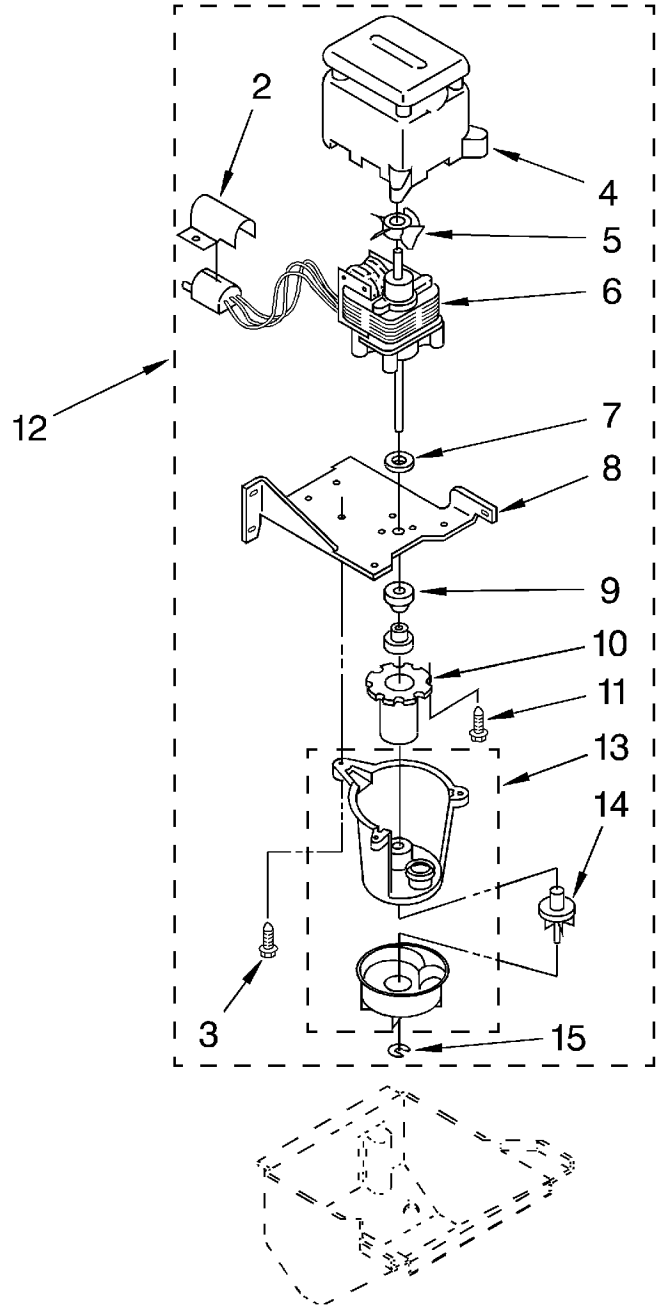
# EVAPORATOR, ICE CUTTER GRID AND WATER PARTS

For Model: KUIS185EWH1



1	759296	Valve, Complete Water
2	585856	Tube, Plastic
3	758597	Plug (2)
4	1129798	Dispenser, Water
5	2181076	Evaporator
6	2174726	Spacer, Adjustable (Side)
7	2174724	Spacer, Adjustable (Front)
8	759213	Tube, Water Fill
9	489049	Screw 10-12 x 1/2
10	756564	Bracket, Grid Mounting (2)
11	489013	Washer, Plain
12	489443	Screw
13	585853	Shelf, Water Pan
15	759109	Hose, Overflow
16	596037	Screw, 10-32 x 1/2
17	2174725	Spacer, Fixed (Rear)
18	2174727	Spacer, Fixed (Side)
19	2174750	Harness, Grid
20	587662	Clamp
21	681676	Nut, Wing
22	841707	Insert
23	627018	Nut & Sleeve Assembly
24	758488	Harness, Light
25	758490	Bracket, Lamp
26	681611	Thumbscrew
27	745362	Bulb
28	2174752	Grid Assembly (Complete)
29	758489	Shield, Light
37	681245	Washer
38	2165477	Adapter
39	2174754	Wire, Grid Cutter
41	593171	Panel, Grid
42	681534	Thumbscrew, 10-32 x 5/8
43	756659	Pan
44	681419	Thumbscrew, 10 x 1/2
45	759043	Stopper, Water Pan

PUMP PARTS  
For Model: KUIS185EWH1

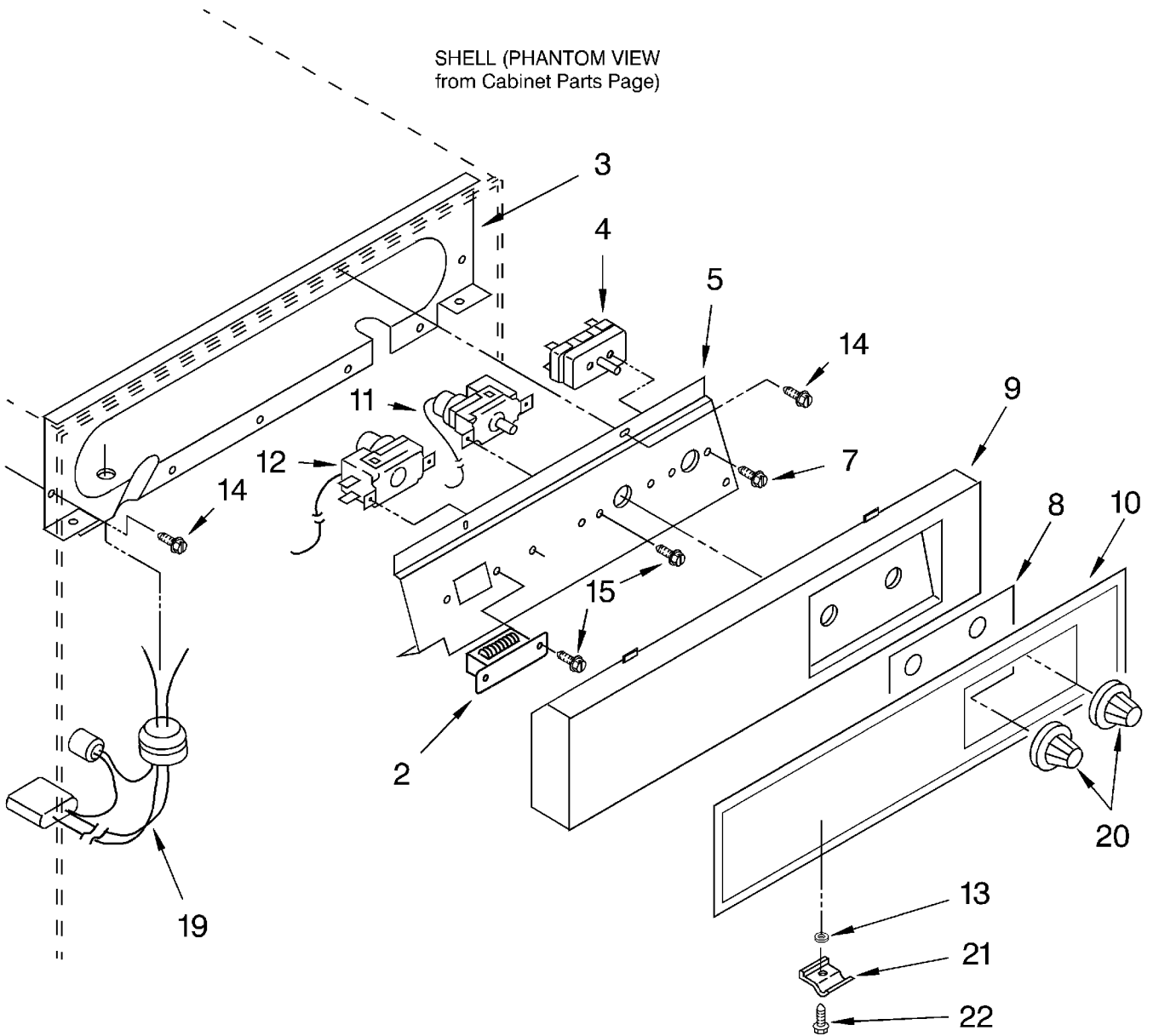


2	756124	Cover, Plug
3	681391	Screw, 8-18 x 3/4
4	583155	Housing, Motor
5	587096	Blade, Fan
6	1127834	Motor, Pump
7	583424	Washer
8	756122	Bracket, Pump
9	596016	Grommet (2)
10	593229	Sleeve
11	681390	Screw, 8-32 x 3/8
12	756782	Pump, Water (Complete)
13	583518	Pump
14	583426	Impeller (Includes Retaining Ring 15)
15	681301	Ring, Retainer

# ESCUTCHEON AND CONTROL COMPONENTS

For Model: KUIS185EWH1

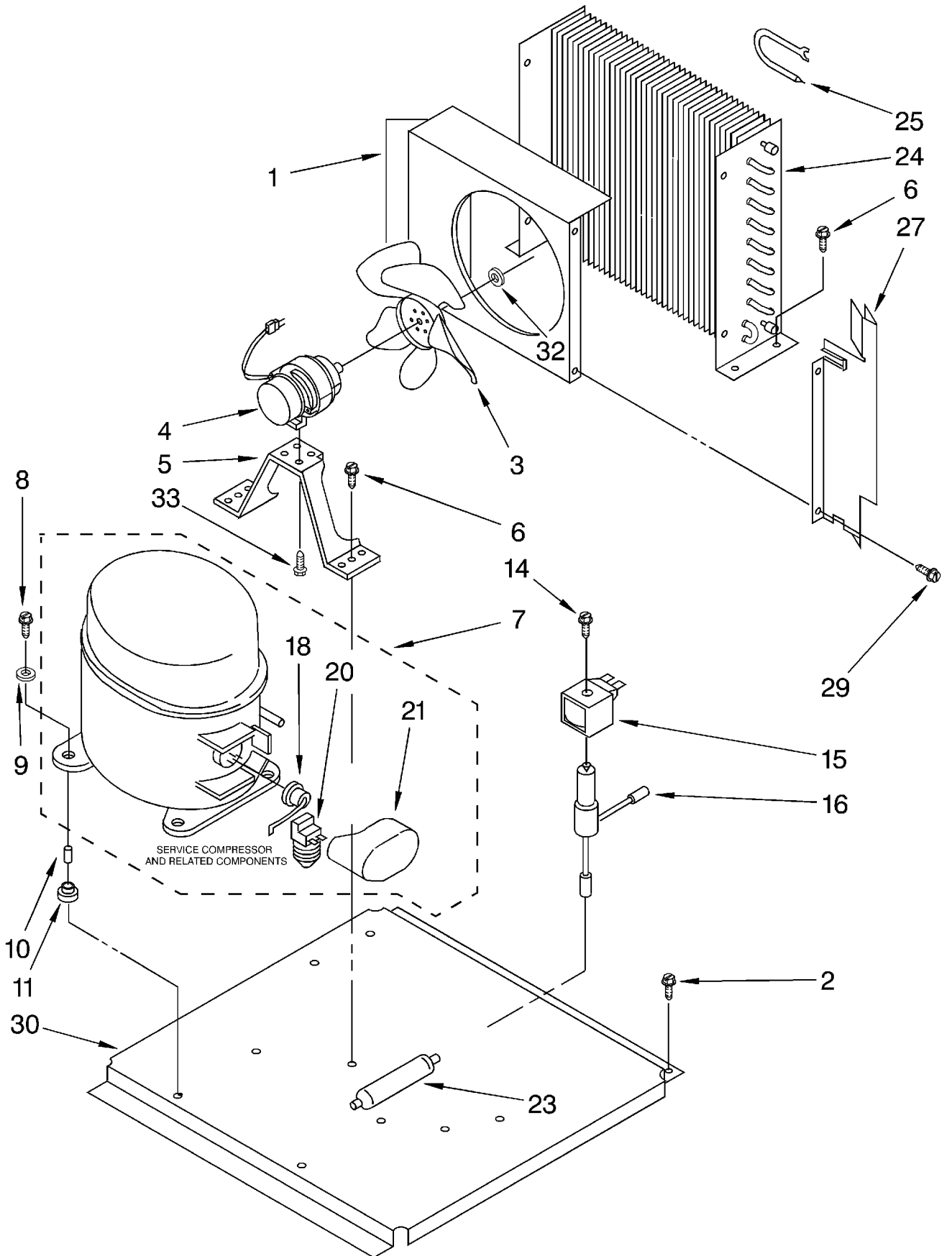
SHELL (PHANTOM VIEW  
from Cabinet Parts Page)





2	2165483	Transformer
3	2165530	Escutcheon, Panel
4	2172893	Switch, Service
5	2172846	Bracket, Control
7	595005	Screw, 8-32 x 1/4
8	2175663	Decal, Control Panel
9	2175661	Escutcheon
10	2175662	Decal, Escutcheon
11	759308	Thermostat, Evaporator
12	759309	Thermostat, Bin Control
13	681245	Washer
14	487909	Screw #8 x 1/2
15	681036	Screw
19	758567	Harness, Grid
20	2175664	Knob
21	759123	Latch
22	680964	Screw, 8-32 x 1/2

UNIT PARTS  
For Model: KUIS185EWH1



1	2180948	Shroud
2	680811	Screw
3	572728	Blade, Fan
4	1108089	Motor, Fan
5	560817	Bracket
6	681305	Screw, 1/4-20 x 1/2 (6)
7	2176659	Compressor
8	680233	Screw (4)
9	595230	Washer (4)
10	585564	Sleeve (4)
11	596355	Grommet (4)
14	489472	Screw
15	759112	Coil, Solenoid
16	759113	Valve, Body
18	2183404	Overload
20	2183410	Relay, Start
21	2162358	Cover, Terminal
23	2180801	Drier
24	2180808	Condenser
25	2180807	Accumulator
27	758811	Deflector, Front
29	681167	Screw, 8 x 3/8
30	2180938	Base, Unit
32	681650	Conical Washer 1/4-20 Hex
33	489199	Screw

REFRIGERANT CHARGE 6.75 OZ. (R134A)