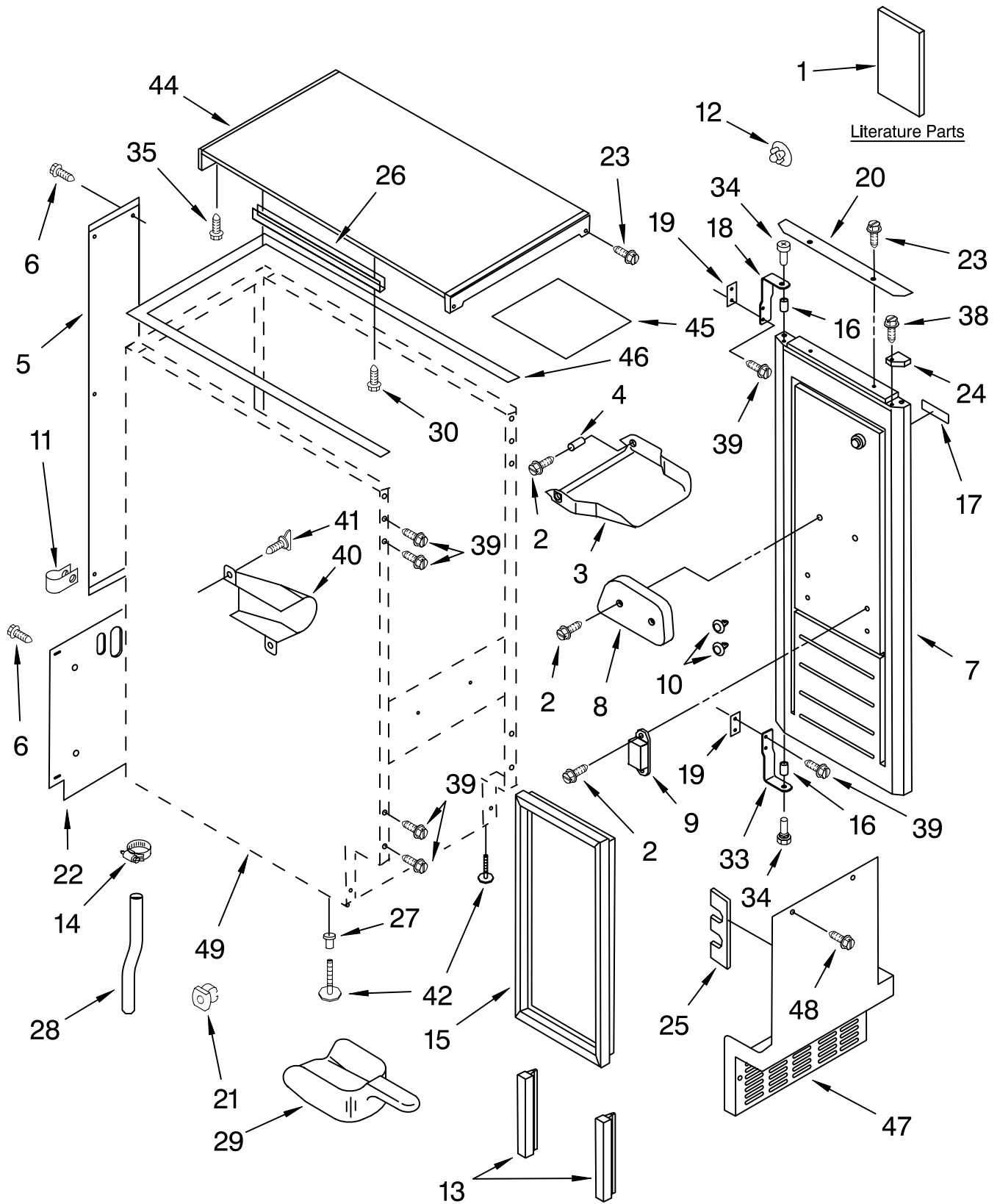


# CABINET LINER AND DOOR PARTS

ICE CUBE  
MAKER

For Models: KUIS15NRHW9, KUIS15NRHT9, KUIS15NRHB9, KUIS15NRHS9  
(White) (Biscuit) (Black) (Stainless Steel)

**KitchenAid®**



FOR ORDERING INFORMATION REFER TO PARTS PRICE LIST

# CABINET LINER AND DOOR PARTS

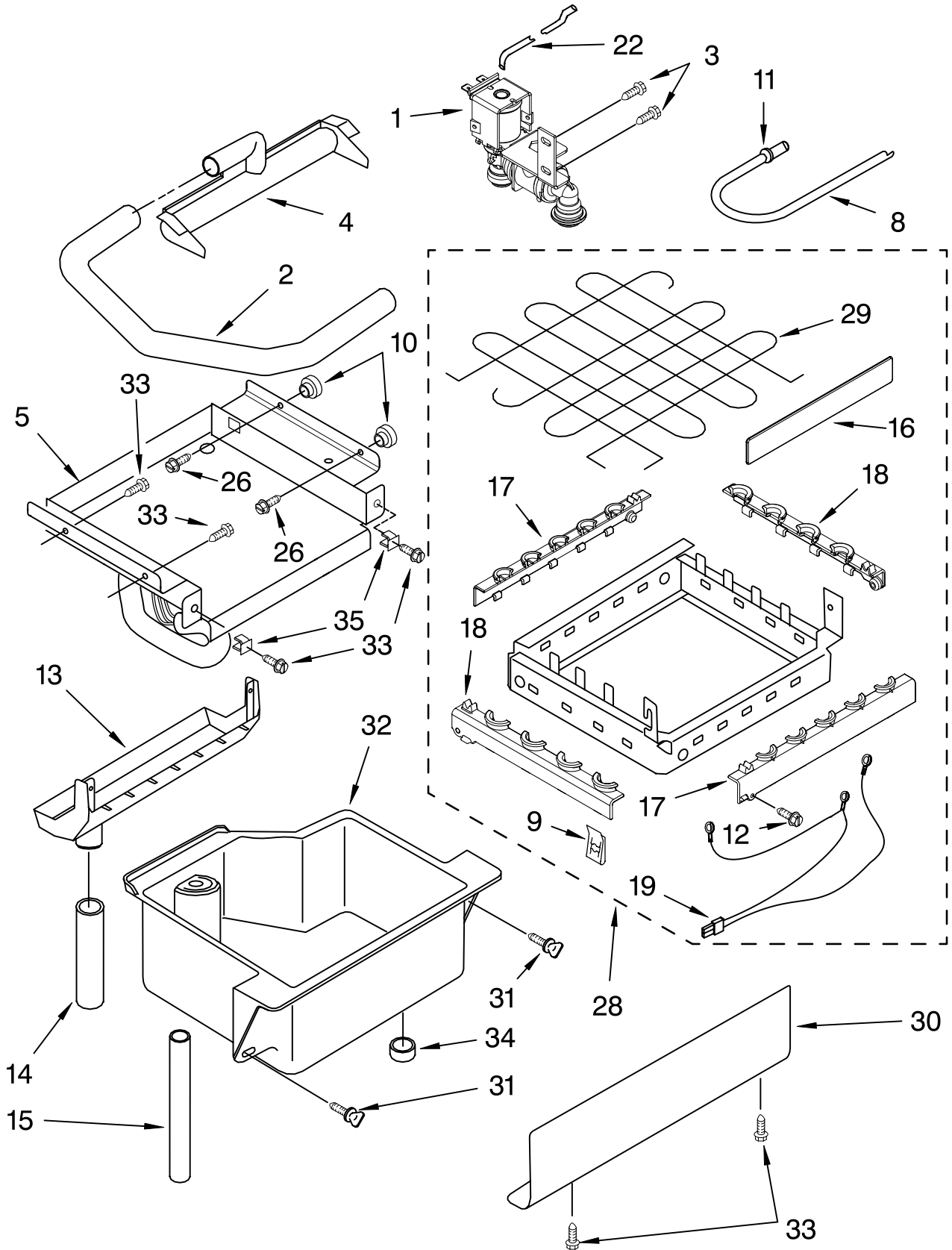
For Models: KUIS15NRHW9, KUIS15NRHT9, KUIS15NRHB9, KUIS15NRHS9  
 (White) (Biscuit) (Black) (Stainless Steel)

| Illus. No. | Part No.  | DESCRIPTION              | Illus. No. | Part No. | DESCRIPTION              | Illus. No. | Part No. | DESCRIPTION                    |
|------------|-----------|--------------------------|------------|----------|--------------------------|------------|----------|--------------------------------|
| 1          |           | Literature Parts         | 17         |          | Nameplate                | 26         | 2185691  | Channel, Wiring                |
|            | 2313787   | Use & Care Guide         |            | 2212760  | White                    | 27         | 3400240  | Nut,                           |
|            | 2313728   | Service & Wiring Sheet   |            | 2212761  | Biscuit                  |            |          | Leg Leveler                    |
|            |           |                          |            | 2212762  | Black                    | 28         | 2185989  | Tube, Drain                    |
| 2          | 3400886   | Screw 8-18 x 1 1/4       | 18         | 2185710  | Hinge, Top               | 29         | 585158   | Scoop                          |
| 3          | 2185742   | Bin, Door                | 19         | 2185709  | Shim, Hinge              | 30         | 3400884  | Screw 8-18 x 5/8               |
| 4          | 2185678   | Spacer                   | 20         |          | Handle, Door             | 33         | 2185711  | Hinge, Bottom                  |
| 5          | 2217394   | Cover, Wiring            |            | 2208492W | White                    | 34         | 2185712  | Pin, Hinge                     |
| 6          | 489442    | Screw                    |            | 2208492T | Biscuit                  | 35         | 489048   | Screw, Ground                  |
| 7          |           | Door                     |            | 2208492B | Black                    | 38         | 348689   | Screw 8-18 x 3/4               |
|            | 2932803W  | White                    | 21         | 692400   | Nut, Push-In             | 39         | 489423   | Screw                          |
|            | 2932803T  | Biscuit                  | 22         | 2185730  | Assembly, Unit Cover     | 40         | 2185927  | Holder, Scoop                  |
|            | 2932803B  | Black                    | 23         |          | Screw                    | 41         | 8281228  | Thumbscrew                     |
|            | 2932803BS | Stainless Steel          |            | 8281188  | White                    | 42         | 3374849  | Leg, Leveler (4) Top           |
| 8          | 2185695   | Cam, Door                |            | 8281187  | Biscuit                  | 44         |          | 2929700W White                 |
| 9          | 2217393   | Assembly, Magnetic Catch |            | 8281186  | Black                    |            |          | 2929700T Biscuit               |
| 10         | 941839    | Plug, Hole               | 24         |          | Filler, Endcap Left Side |            |          | 2929700B Black                 |
| 11         | 2208136   | Tube Clamp               |            | 2185655W | White                    | 45         | 2185690  | Shield, Electrical             |
| 12         | 2189000   | Hole Plug, Handle        |            | 2185655T | Biscuit                  | 46         | 2217293  | Gasket, Top Panel              |
| 13         | 2217367   | Gasket, Bottom           |            | 2185655B | Black                    | 47         |          | 2185571W White                 |
| 14         | 489503    | Clamp                    |            | 2185656W | White                    |            |          | 2185571T Biscuit               |
| 15         | 2217294   | Gasket, Door             |            | 2185656T | Biscuit                  |            |          | 2185571B Black                 |
| 16         | 2185640   | Sleeve, Hinge            | 25         | 2185756  | Pad, Foam                | 48         | 489474   | Screw 8-18 x 1                 |
|            |           |                          |            |          |                          | 49         |          | Cabinet & Liner (NOT SERVICED) |

FOR ORDERING INFORMATION REFER TO PARTS PRICE LIST

# EVAPORATOR, ICE CUTTER GRID AND WATER PARTS

For Models: KUIS15NRHW9, KUIS15NRHT9, KUIS15NRHB9, KUIS15NRHS9  
(White) (Biscuit) (Black) (Stainless Steel)



FOR ORDERING INFORMATION REFER TO PARTS PRICE LIST

# EVAPORATOR, ICE CUTTER GRID AND WATER PARTS

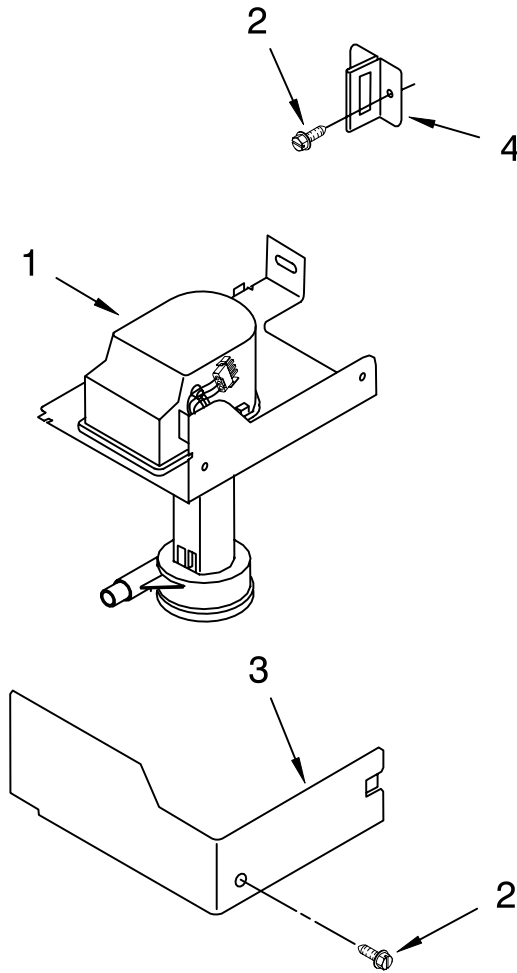
For Models: KUIS15NRHW9, KUIS15NRHT9, KUIS15NRHB9, KUIS15NRHS9  
(White) (Biscuit) (Black) (Stainless Steel)

| <b>Illus. No.</b> | <b>Part No.</b> | <b>DESCRIPTION</b>              |
|-------------------|-----------------|---------------------------------|
| 1                 | 2313644         | Valve, Complete<br>Water        |
| 2                 | 2217286         | Tube, Plastic                   |
| 3                 | 488208          | Screw                           |
| 4                 | 2185523         | Dispenser, Water                |
| 5                 | 2217269         | Evaporator                      |
| 8                 | 2172593         | Tube, Water Fill                |
| 9                 | 488660          | Nut, Speed                      |
| 10                | 836667          | Spacer                          |
| 11                | 2208539         | Fastener,<br>Pushnut            |
| 12                | 489443          | Screw                           |
| 13                | 2185625         | Reservoir,<br>Water Slide       |
| 14                | 2185626         | Tube                            |
| 15                | 2185673         | Hose, Overflow                  |
| 16                | 2313604         | Guide-Ice, Grid                 |
| 17                | 2313603         | Bracket, Front<br>and Rear      |
| 18                | 2313602         | Bracket, Side<br>Left and Right |
| 19                | 2185681         | Harness, Grid                   |
| 22                | 2313745         | Tube                            |
| 26                | 3400886         | Screw 8-18 x 1 1/4              |
| 28                | 2313637         | Grid Assembly<br>(Complete)     |
| 29                | 2174754         | Wire, Grid Cutter               |
| 30                | 2185570         | Cover, Grid                     |
| 31                | 8281228         | Thumbscrew                      |
| 32                | 8201653         | Reservoir, Water                |
| 33                | 3400884         | Screw 8-18 x 5/8                |
| 34                | 2185696         | Cap, Drain                      |
| 35                | 3400909         | Nut, Push-In                    |

FOR ORDERING INFORMATION REFER TO PARTS PRICE LIST

# PUMP PARTS

For Models: KUIS15NRHW9, KUIS15NRHT9, KUIS15NRHB9, KUIS15NRHS9  
 (White) (Biscuit) (Black) (Stainless Steel)

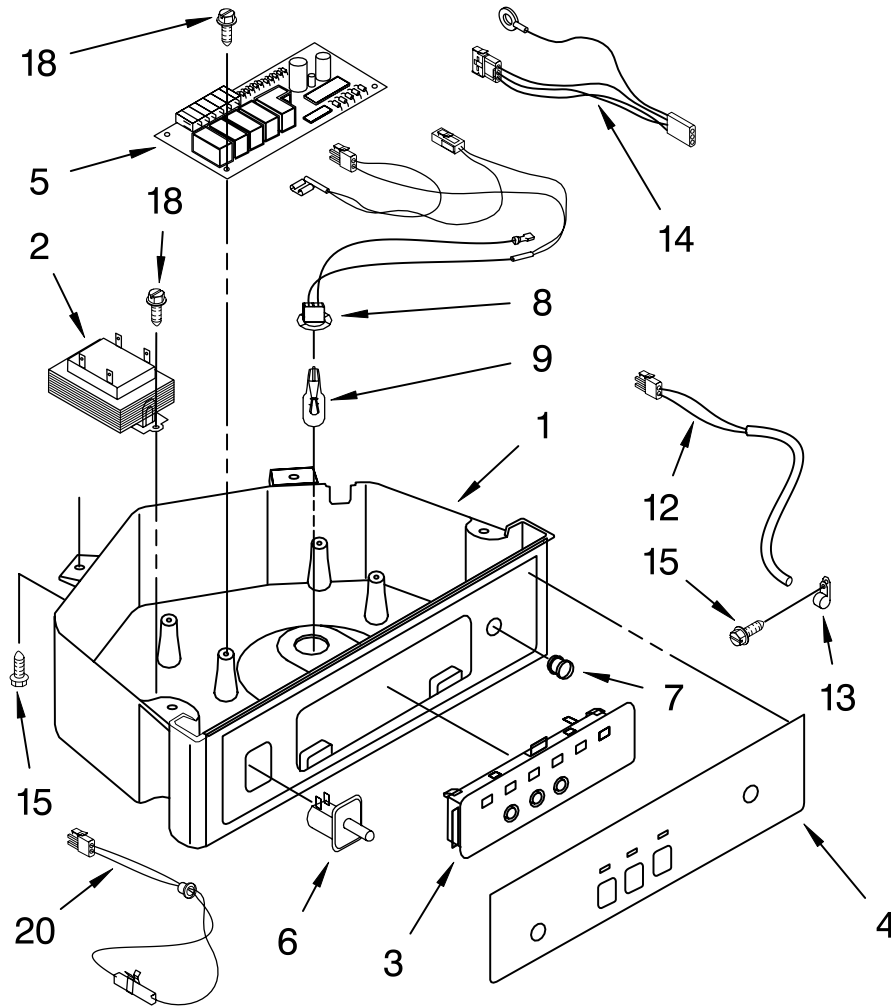


| Illus. No. | Part No. | DESCRIPTION                 |
|------------|----------|-----------------------------|
| 1          | 2217220  | Pump, Water (Complete)      |
| 2          | 3400884  | Screw 8-18 x 5/8            |
| 3          | 2185677  | Cover, Pump                 |
| 4          | 2185585  | Bracket, Connector Assembly |

FOR ORDERING INFORMATION REFER TO PARTS PRICE LIST

# CONTROL PANEL PARTS

For Models: KUIS15NRHW9, KUIS15NRHT9, KUIS15NRHB9, KUIS15NRHS9  
 (White) (Biscuit) (Black) (Stainless Steel)

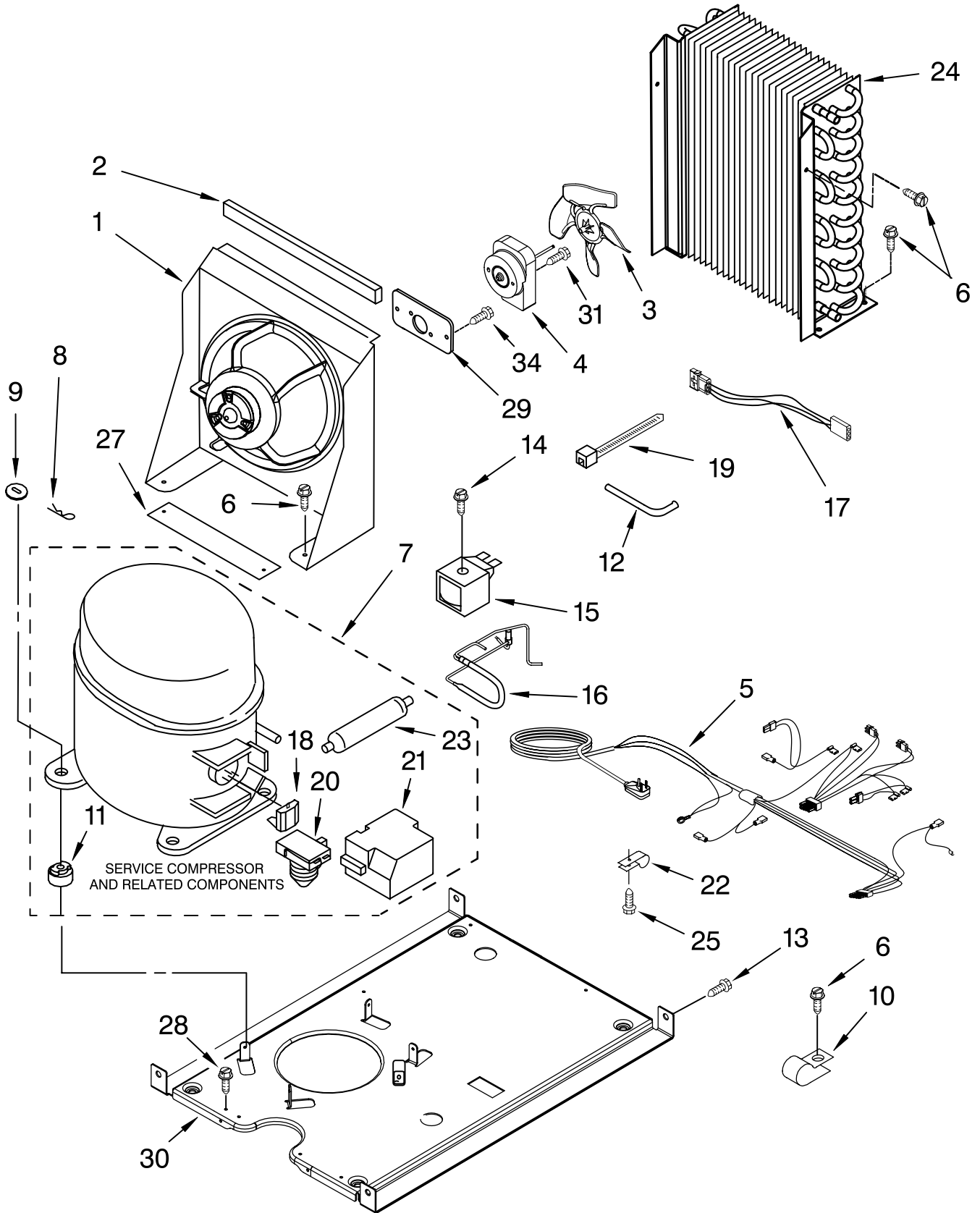


| Illus. No. | Part No. | DESCRIPTION                      | Illus. No. | Part No. | DESCRIPTION                | Illus. No. | Part No. | DESCRIPTION                  |
|------------|----------|----------------------------------|------------|----------|----------------------------|------------|----------|------------------------------|
| 1          | 2185738  | Box, Control                     | 6          | 2149705  | Switch, Plunger            | 14         | 2187836  | Wiring Harness, Main to Pump |
| 2          | 2185657  | Transformer                      | 7          | 2185694  | Lens, LED                  | 15         | 3400884  | Screw                        |
| 3          | 2185592  | Assembly, Switch (ALSO ORDER #4) | 8          | 2185692  | Wiring Harness Grid/ Light | 18         | 3400850  | Screw 8-16 x 3/8             |
| 4          | 2208317W | Overlay                          | 9          | 745362   | Bulb                       | 20         | 2313635  | Thermister, Ice Control      |
| 5          | 2304016  | Control Board                    | 12         | 2313633  | Thermostat, Bin            |            |          |                              |
|            |          |                                  | 13         | 2185825  | Clamp                      |            |          |                              |

FOR ORDERING INFORMATION REFER TO PARTS PRICE LIST

# UNIT PARTS

For Models: KUIS15NRHW9, KUIS15NRHT9, KUIS15NRHB9, KUIS15NRHS9  
(White) (Biscuit) (Black) (Stainless Steel)



FOR ORDERING INFORMATION REFER TO PARTS PRICE LIST

# UNIT PARTS

For Models: KUIS15NRHW9, KUIS15NRHT9, KUIS15NRHB9, KUIS15NRHS9  
 (White) (Biscuit) (Black) (Stainless Steel)

| Illus. No. | Part No. | DESCRIPTION   | Illus. No. | Part No. | DESCRIPTION                   | Illus. No.                       | Part No. | DESCRIPTION   |
|------------|----------|---|------------|----------|-------------------------------|----------------------------------|----------|---------------|
| 1          | 2185532  | Bracket, Fan Mtg.                                   | 12         | 2208415  | Tube, Process                 | 22                               | 2185788  | Clamp         |
| 2          | 2185675  | Pad, Foam   | 13         | 489423   | Screw                         | 23                               |          | Drier         |
| 3          | 2188935  | Blade, Fan  | 14         | 489472   | Screw                         |                                  | 2319826  | Production    |
| 4          | 2188891  | Motor, Fan  | 15         | 759112   | Coil, Solenoid                |                                  | 4387019  | Service       |
| 5          | 2313636  | Wiring Harness, Complete Unit (Includes Power Cord) | 16         | 759113   | Valve, Body                   | 24                               | 2313624  | Condenser     |
| 6          | 304392   | Screw 8-18 x 1/2                                    | 17         | 2187629  | Wiring Harness, Condenser Fan | 25                               | 3400884  | Screw         |
| 7          | 2208370  | Compressor (Includes Illus. 11,18, 20,21 & 23)      | 18         |          | Overload                      | 27                               | 2217397  | Pad, Foam (2) |
| 8          | A201435  | Clip, Mounting                                      |            | 2217223  | Production                    | 28                               | 488500   | Screw         |
| 9          | A201441  | Shim (4)  |            | 4387938  | Service (Includes Relay)      | 29                               | 2301979  | Plate, Mtg.   |
| 10         | 2185960  | Clamp (Power Cord)                                  | 19         | 2155774  | Strap                         | 30                               | 2217388  | Base, Unit    |
| 11         |          | Grommet (4)   | 20         |          | Relay, Start                  | 31                               | 8281197  | Screw         |
|            | 2217318  | Production  |            | 2217224  | Production                    | 34                               | 8281196  | Screw         |
|            | 4387558  | Service   |            | 4387938  | Service (Includes Overload)   | <b><u>REFRIGERANT CHARGE</u></b> |          |               |
|            |          |   | 21         |          | Cover, Terminal               | 6.5 OZ. (R134A)                  |          |               |
|            |          |   |            | 2208371  | Production                    |                                  |          |               |
|            |          |   |            | 4387731  | Service                       |                                  |          |               |



FOR ORDERING INFORMATION REFER TO PARTS PRICE LIST



# OPTIONAL PARTS

For Models: KUIS15NRHW9, KUIS15NRHT9, KUIS15NRHB9, KUIS15NRHS9  
(White) (Biscuit) (Black) (Stainless Steel)

| <b>Illus.<br/>No.</b>                                      | <b>Part<br/>No.</b> | <b>DESCRIPTION</b> |
|--|---------------------|--------------------|
| <hr/>  |                     |                    |
| Parts Not Illustrated and<br>Optional Parts (Not Included) |                     |                    |
| <hr/>  |                     |                    |

|        |   |
|--------|---|
| 503695 | Sealer, Cork<br>(1/4 Pound)                   |
| 797403 | Cement, Insulation<br>(1 Oz.)                 |
| 505587 | Sealer, Mastic<br>(1 Qt.)                     |
| 212643 | Sealer, Gum<br>(22 Pcs. 3/16" x 7")           |
| 479976 | Kit, Insulation<br>(5 Pcs. 3" x 24"<br>x 48") |
| 978025 | Valve, Access<br>(1/4")                       |
| 978026 | Valve, Access<br>(5/16")                      |
| 978027 | Valve, Access<br>(3/8")                       |
| 978028 | Valve, Access<br>(1/2")                       |
| 978029 | Valve, Access<br>(5/8")                       |
| 978030 | Valve, Access<br>(3/4")                       |

FOR ORDERING INFORMATION REFER TO PARTS PRICE LIST