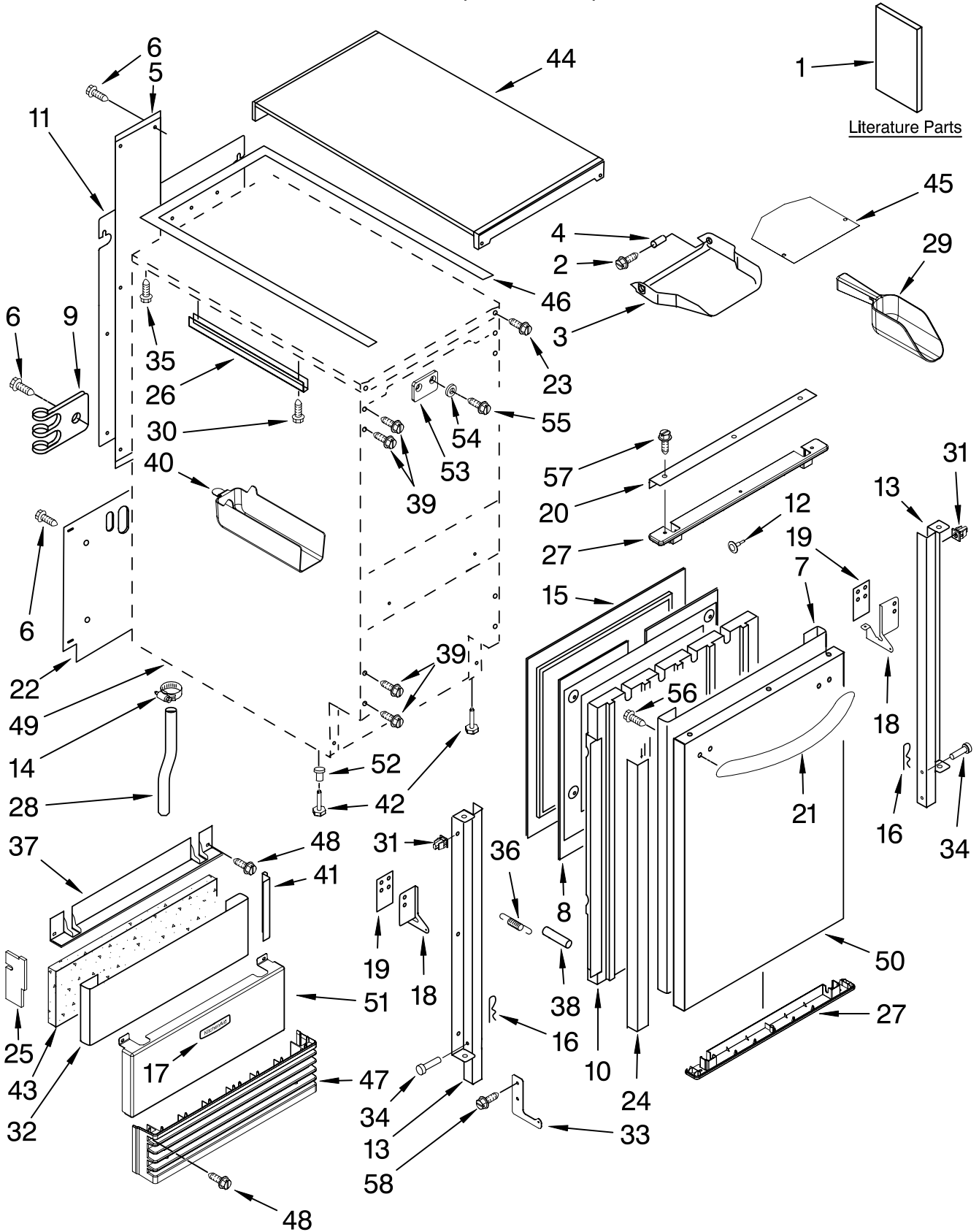


# CABINET LINER AND DOOR PARTS

For Models: KUIC18NNTS1  
(Stainless Steel)

ICE CUBE  
MAKER

**KitchenAid®**



FOR ORDERING INFORMATION REFER TO PARTS PRICE LIST

# CABINET LINER AND DOOR PARTS

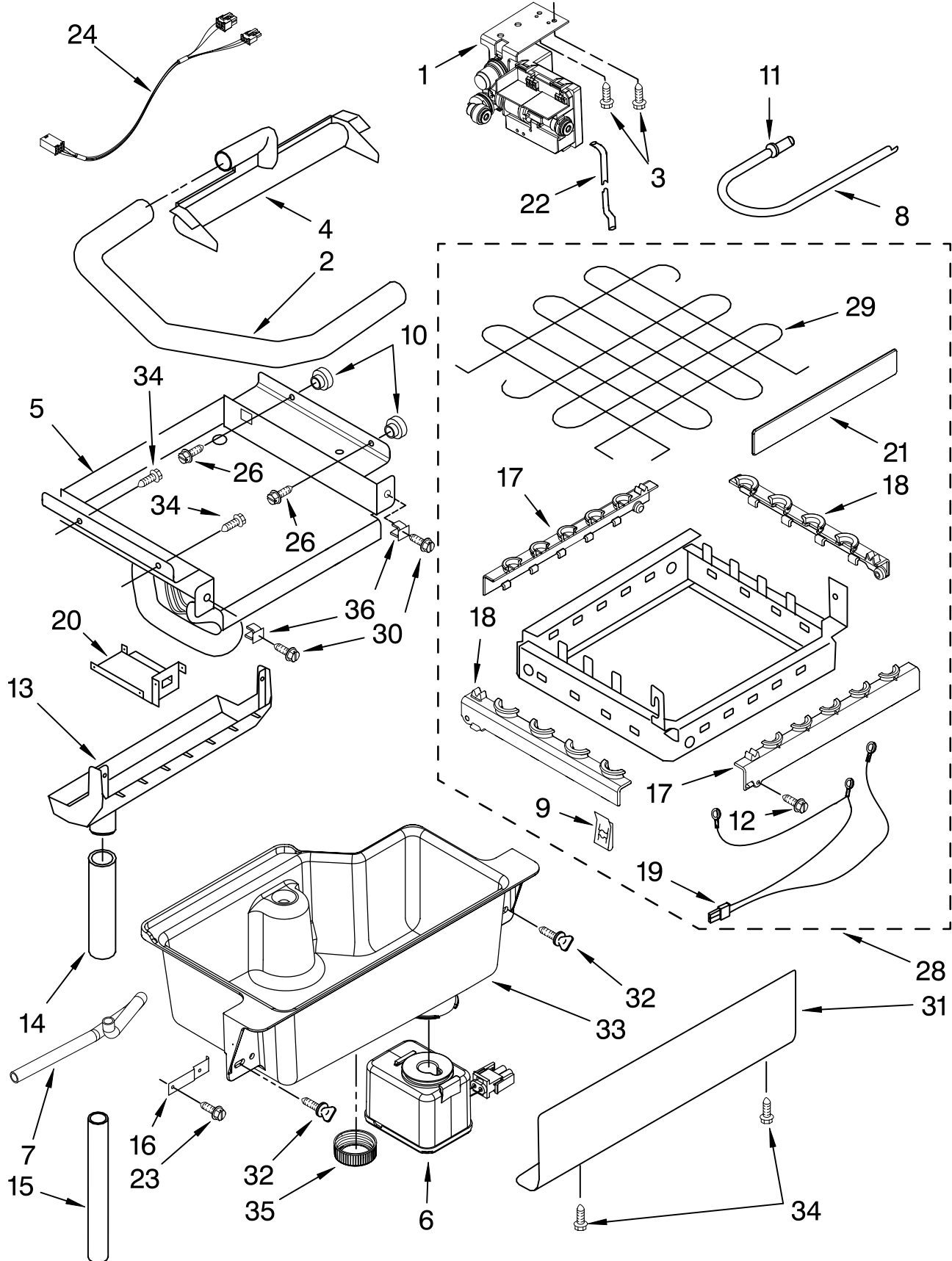
For Models: KUIC18NNTS1  
(Stainless Steel)

Illus. No.	Part No.	DESCRIPTION	Illus. No.	Part No.	DESCRIPTION	Illus. No.	Part No.	DESCRIPTION
1		Literature Parts	19	2208401	Shim, Hinge	40	2208449	Holder, Scoop
	2313820	Use & Care Guide	20	2208452B	Handle, Icemaker	41	2208596B	Grommet, Edge guard(2)
	2324311	Service & Wiring Sheet	21	9872207S	Handle, Bar	42	3374849	Leg, Leveler (4)
2	3400886	Screw 8-18 x 1 1/4	22	W10136200	Assembly, Unit Cover	43	2208384	Insulation
3	2208354	Bin, Door	23	8281186	Screw, Handle	44	2929701B	Top
4	2185678	Spacer	24	2208595B	Grommet, Edge Guard(2)	45	2185690	Shield, Electrical
5	2217394	Cover, Wiring	25	2217225	Pad, Foam	46	2217296	Gasket, Top Panel
6	489442	Screw	26	2185691	Channel, Wiring	47	2217206B	Grill, Front
7	2208352B	Panel, Exterior	27	2208350B	Endcap, Door	48	489474	Screw 8-18 x 1 Cabinet & Liner (NOT SERVICED)
8	2217298	Panel, Interior	28	2208453	Tube, Drain	49		
9	2208136	Clamp-Tube	29	2208386	Scoop	50	2313817	Panel, Wrap
10	2208377	Insulation	30	3400884	Screw 8-18 x 5/8	51	2208594S	Panel, Lower
11	2217227	Ballast-Back, I.M.	31	692400	Nut, Push-In	52	3400240	Nut, Leg Leveler
12	941839	Hole Plug	32	2208382B	Panel, Wrap Lower	53	2208434	Strike, Magnet
13		Bracket, Door	33	2208487	Bracket, Spring	54	3400916	Washer
	2217466	(Left Side)	34	2208417	Pin, Hinge	55	8281191	Screw
	2217465	(Right Side)	35	489048	Screw, Ground	56	3400237	Screw (Handle Bar)
14	489503	Clamp	36	2208570	Spring, Hinge	57	8281184	Screw
15	2217295	Gasket, Door	37	2208383B	Endcap, Panel	58	488208	Screw
16	2208535	Clip	38	2208530	Dampener, Spring			
17	W10046610	Nameplate	39	489423	Screw			
18		Hinge						
	2208425	(Left Side)						
	2208426	(Right Side)						

FOR ORDERING INFORMATION REFER TO PARTS PRICE LIST

# EVAPORATOR, ICE CUTTER GRID AND WATER PARTS

For Models: KUIC18NNTS1  
(Stainless Steel)



FOR ORDERING INFORMATION REFER TO PARTS PRICE LIST

# EVAPORATOR, ICE CUTTER GRID AND WATER PARTS

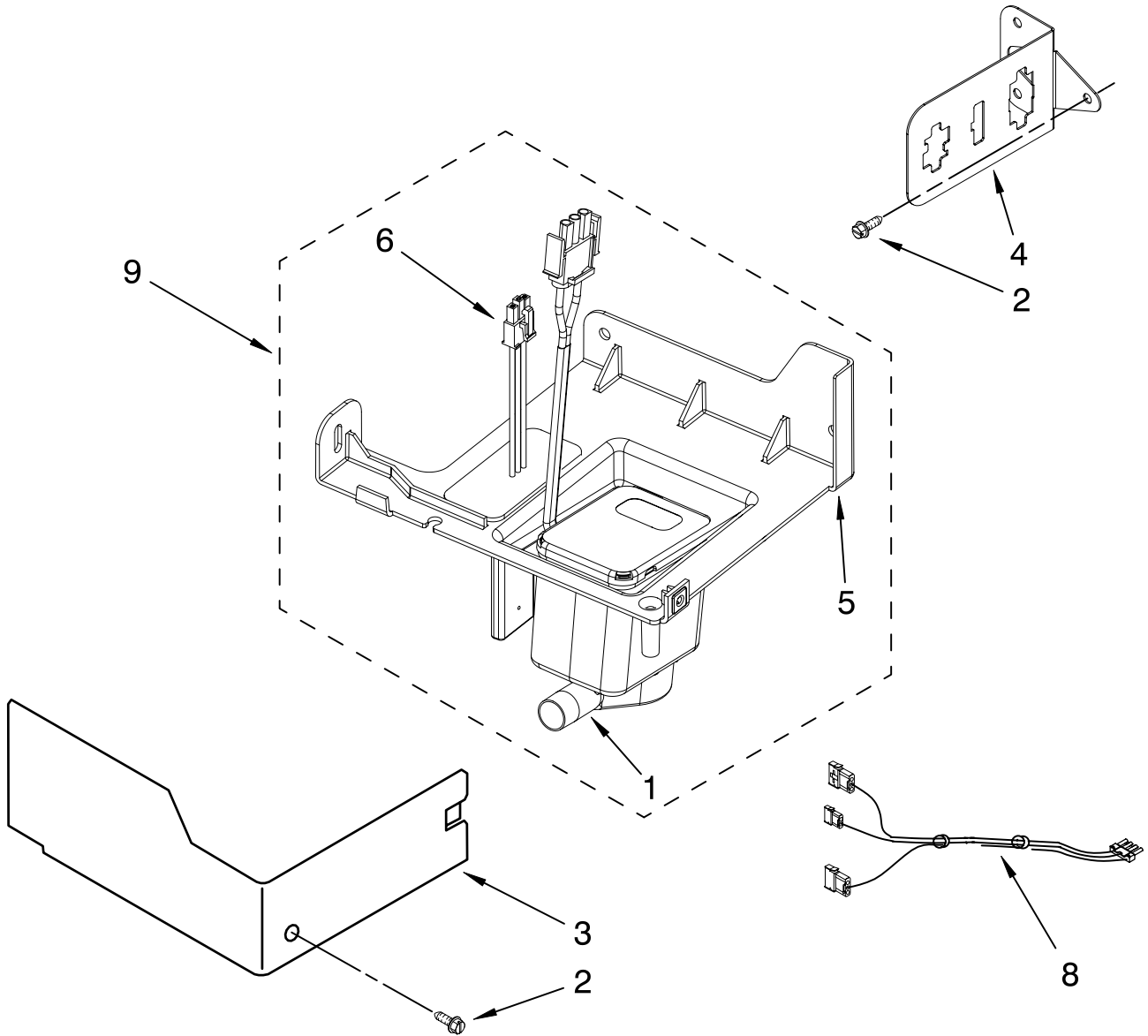
For Models: KUIC18NNTS1  
(Stainless Steel)

<u>Illus. No.</u>	<u>Part No.</u>	<u>DESCRIPTION</u>
1	W10159841	Valve, Complete Water
2	2217286	Tube, Plastic
3	488208	Screw
4	2185523	Dispenser, Water
5	2217269	Evaporator
6	2313705	Pump, Drain
7	2313851	Tube, Reservoir Pump
8	2172593	Tube, Water Fill
9	488660	Nut, Speed
10	836667	Spacer
11	2208539	Fastener, Pushnut
12	489443	Screw
13	2185625	Reservoir, Water Slide
14	2185626	Tube
15	2313890	Hose, Overflow
16	2217378	Bracket-Reservoir
17	2313603	Bracket, Front and Rear
18	2313602	Bracket, Side Left and Right
19	2185681	Harness, Grid
20	2208427	Support, Bracket Evaporator/Grid
21	2313604	Guide, Ice Grid
22	W10136146	Tube
23	8281193	Screw
24	2310169	Wire Assembly (Valve)
26	3400886	Screw 8-18 x 1 1/4
28	2313637	Grid Assembly (Complete)
29	2174754	Wire, Grid Cutter
30	8281192	Screw
31	2208365	Cover, Grid
32	8281228	Thumbscrew
33	2324334	Reservoir, Water
34	3400884	Screw 8-18 x 5/8
35	2185696	Cap, Drain
36	3400909	Nut, Push-In

FOR ORDERING INFORMATION REFER TO PARTS PRICE LIST

# PUMP PARTS

For Models: KUIC18NNTS1  
(Stainless Steel)

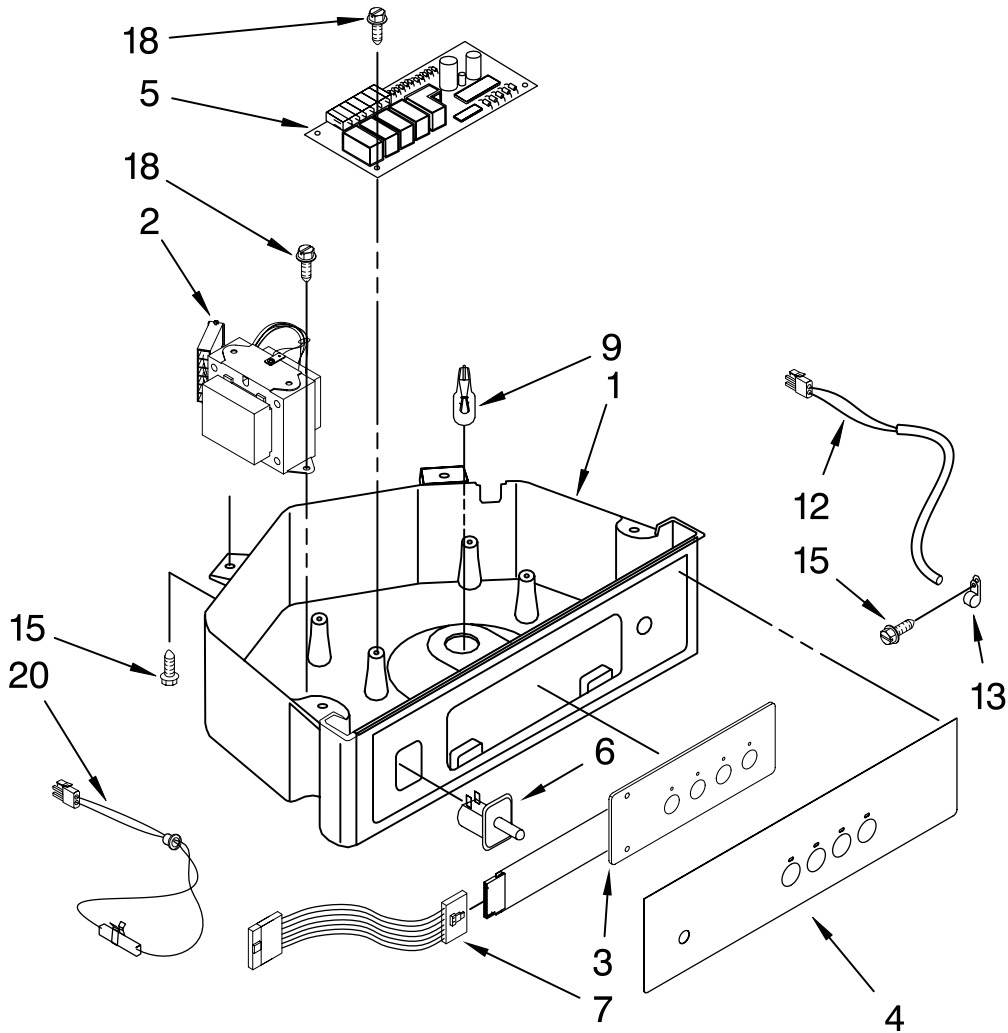


Illus. No.	Part No.	DESCRIPTION
1	2313628	Pump-Recirculating
2	3400884	Screw 8-18 x 5/8
3	2185677	Cover, Pump
4	2313844	Bracket, Connector Assembly
5	2313627	Bracket-Pump
6	2313643	Sensor-Water Level
8	2310092	Wiring Harness Main To Pump
9	2313702	Pump Assembly

FOR ORDERING INFORMATION REFER TO PARTS PRICE LIST

# CONTROL PANEL PARTS

For Models: KUIC18NNTS1  
(Stainless Steel)



Illus. No.	Part No.	DESCRIPTION
1	W10139127	Box, Control
2	2310139	Transformer
3	2304122	Assembly, Switch (ALSO ORDER #4)
4	2313693	Overlay

Illus. No.	Part No.	DESCRIPTION
5	W10122069	Control Board
6	2149705	Switch, Plunger Grid/ Light
7	2187585	Wire Assy-Active Overlay Jumper
9	745362	Bulb
12	2313633	Thermostat, Bin

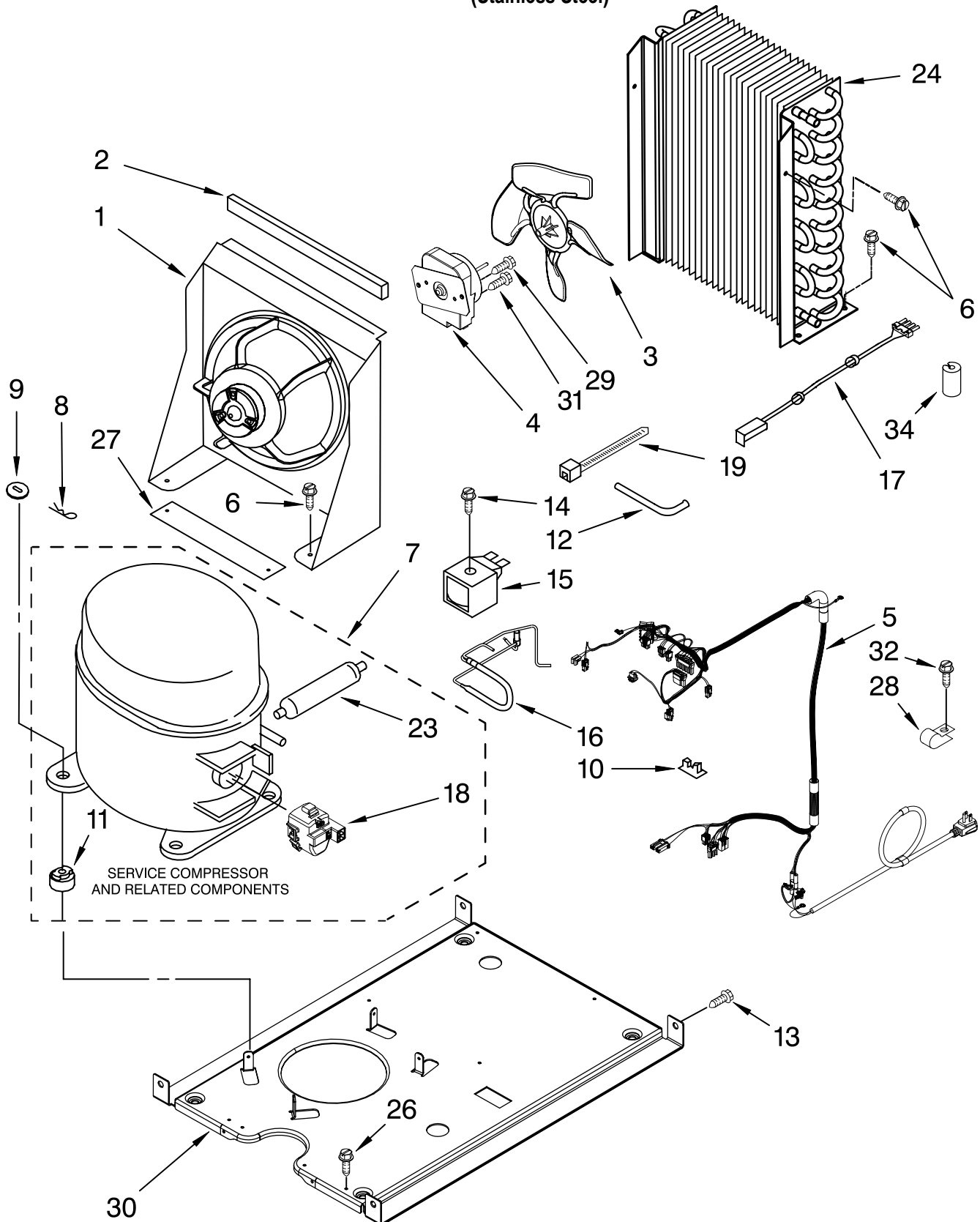
Illus. No.	Part No.	DESCRIPTION
13	2185825	Clamp
15	3400884	Screw 8-18 x 5/8
18	3400850	Screw 8-16 x 3/8
20	2313635	Thermister, Ice Control

FOR ORDERING INFORMATION REFER TO PARTS PRICE LIST

# UNIT PARTS

For Models: KUIC18NNTS1

(Stainless Steel)



FOR ORDERING INFORMATION REFER TO PARTS PRICE LIST

# UNIT PARTS

For Models: KUIC18NNTS1  
(Stainless Steel)

Illus. No.	Part No.	DESCRIPTION
1	2185532	Bracket, Fan Mtg.
2	2185675	Pad, Foam
3	2188935	Blade, Fan
4	2315558	Motor & Mounting Plate Assembly
5	W10139121	Wiring Harness, Complete Unit (Includes Power Cord)
6	304392	Screw
7	W10136195	Compressor (Includes Illus. 11 & 23)
8	A201435	Clip, Mounting
9	A201441	Shim (4)
10	1115375	Clip-Wiring

Illus. No.	Part No.	DESCRIPTION
11		Grommet (4)
	2217318	Production
	4387558	Service
12	2208415	Tube, Process
13	489423	Screw
14	489472	Screw
15	759112	Coil, Solenoid
16	2313806	Hot Gas Valve
17	2187629	Wiring Harness, Condenser Fan
18	W10136197	Start Relay & Overload Combo Device
19	2155774	Strap
23		Drier
	2319826	Production
	4387019	Service

Illus. No.	Part No.	DESCRIPTION
24	2313624	Condenser
26	488500	Screw
27	2217397	Pad, Foam (2)
28	2185960	Clamp-Service Cord
29	8281197	Screw
30	2217423	Base, Unit
31	8281196	Screw
32	304392	Screw
34	2319835	Grommet-Cond.(1)

### REFRIGERANT CHARGE

6.5 OZ. (R134A)



# OPTIONAL PARTS (NOT INCLUDED)

For Models: KUIC18NNTS1  
(Stainless Steel)

<u>Illus. No.</u>	<u>Part No.</u>	<u>DESCRIPTION</u>
-------------------	-----------------	--------------------

---

Parts Not Illustrated and  
Optional Parts (Not Included)

---

503695	Sealer, Cork (1/4 Pound)
797403	Cement, Insulation (1 Oz.)
505587	Sealer, Mastic (1 Qt.)
212643	Sealer, Gum (22 Pcs. 3/16" x 7")
479976	Kit, Insulation (5 Pcs. 3" x 24" x 48")
8537055	Cleaner, Stainless Steel
978025	Valve, Access (1/4")
978026	Valve, Access (5/16")
978027	Valve, Access (3/8")
978028	Valve, Access (1/2")
978029	Valve, Access (5/8")
978030	Valve, Access (3/4")

## ACCESSORIES

2217442S	Previous Architect Series Handle Kit Stainless Steel
----------	--

FOR ORDERING INFORMATION REFER TO PARTS PRICE LIST