

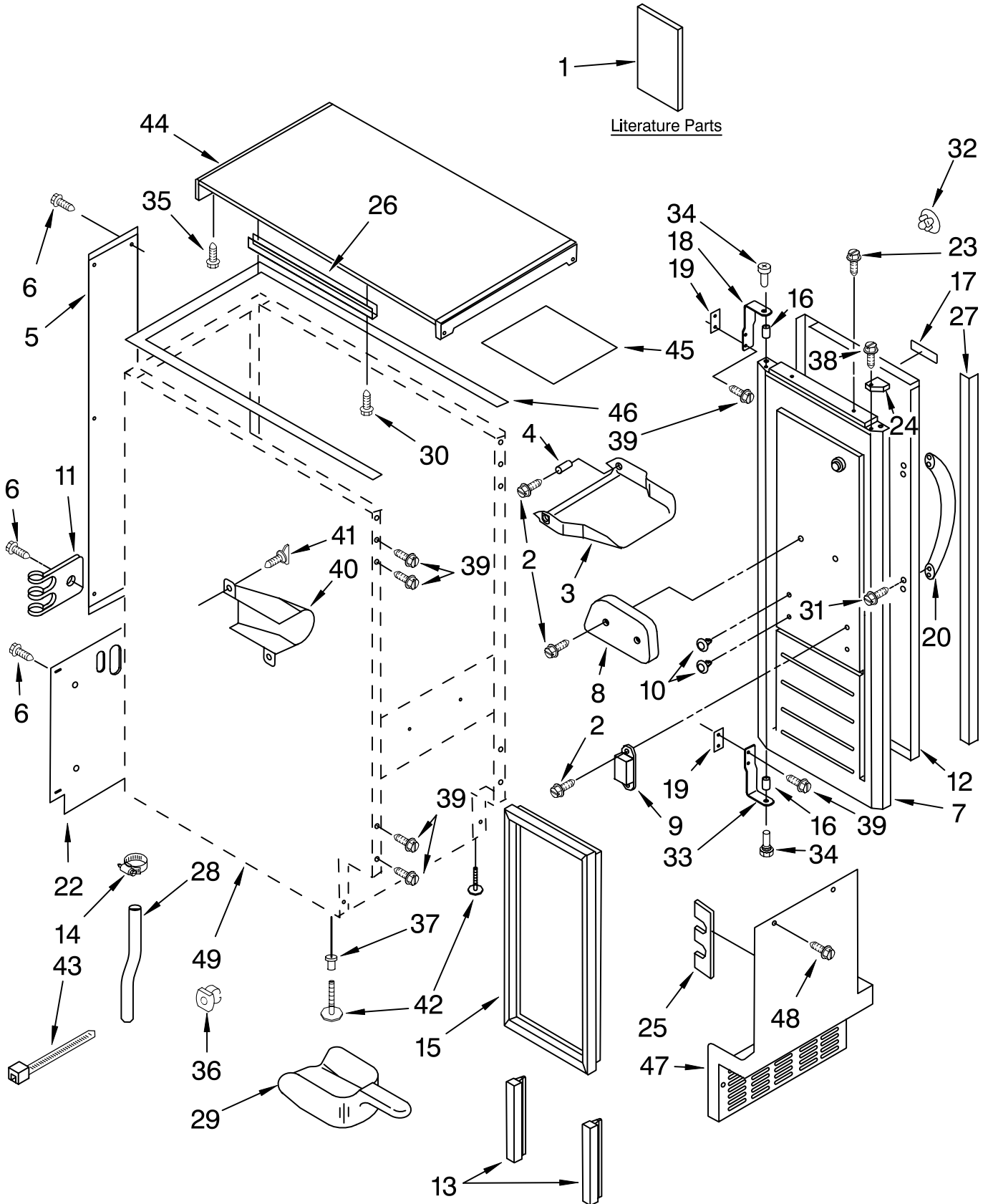
CABINET LINER AND DOOR PARTS

For Model: KUIC15NRTS1

(Stainless Steel)

ICE CUBE
MAKER

KitchenAid®



FOR ORDERING INFORMATION REFER TO PARTS PRICE LIST

CABINET LINER AND DOOR PARTS

For Model: KUIC15NRTS1
(Stainless Steel)

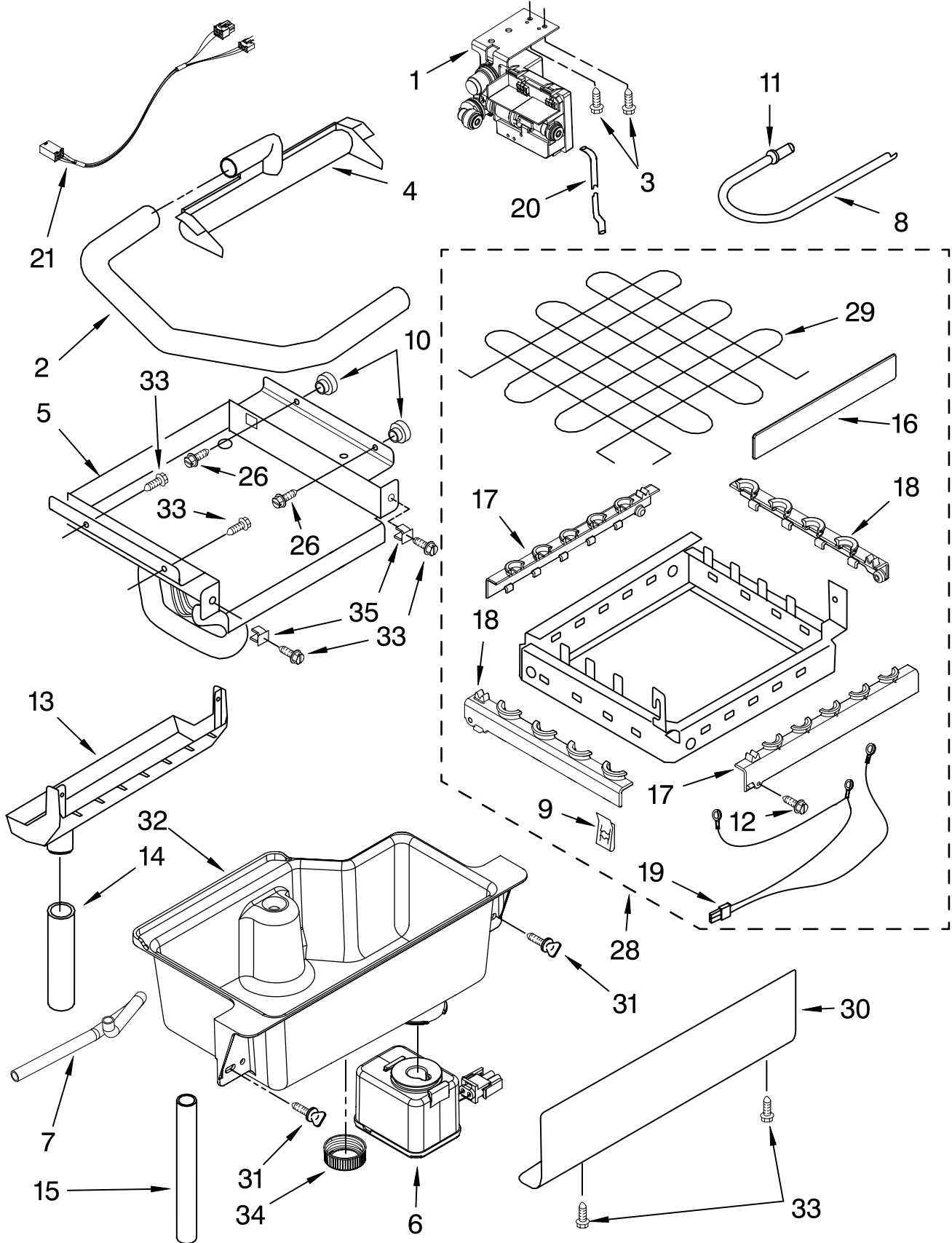
| Illus. No. | Part No. | DESCRIPTION | Illus. No. | Part No. | DESCRIPTION | Illus. No. | Part No. | DESCRIPTION |
|------------|----------|--------------------------|------------|-----------|-------------------------|------------|----------|--------------------------------|
| 1 | | Literature Parts | 17 | W10046610 | Nameplate | 33 | 2185711 | Hinge, Bottom |
| | 2313814 | Use & Care Guide | 18 | 2185710 | Hinge, Top | 34 | 2185712 | Pin, Hinge |
| | 2324311 | Service & Wiring Sheet | 19 | 2185709 | Shim, Hinge | 35 | 489048 | Screw, Ground |
| 2 | 3400886 | Screw | 20 | 9872207S | Handle, Door | 36 | 692400 | Nut, Push-In |
| 3 | 2185742 | Bin, Door | 22 | W10136199 | Assembly, Unit Cover | 37 | 3400240 | Nut, Leg Leveler |
| 4 | 2185678 | Spacer | 23 | 8281186 | Screw | 38 | 348689 | Screw |
| 5 | 2217394 | Cover, Wiring | 24 | | Filler, Endcap | 39 | 489423 | Screw |
| 6 | 489442 | Screw | | 2185655B | Left Side | 40 | 2185927 | Holder, Scoop |
| 7 | 2932803B | Door | | 2185656B | Right Side | 41 | 8281228 | Thumbscrew |
| 8 | 2185695 | Cam, Door | 25 | 2185756 | Pad, Foam | 42 | 3374849 | Leg, Leveler (4) |
| 9 | 2217393 | Assembly, Magnetic Catch | 26 | 2185691 | Channel, Wiring | 43 | 2155774 | Strap |
| 10 | 941839 | Plug, Hole | 27 | 2185964 | Grommet, Edge Guard (2) | 44 | 2929700B | Top |
| 11 | 2208136 | Clamp | 28 | 2185989 | Tube, Drain | 45 | 2185690 | Shield, Electrical |
| 12 | 2313815 | Wrap, Door | 29 | 585158 | Scoop | 46 | 2217293 | Gasket, Top Panel |
| 13 | 2217367 | Gasket, Bottom | 30 | 3400884 | Screw | 47 | 2185571B | Grill, Front |
| 14 | 489503 | Clamp | 31 | 3400237 | Screw | 48 | 489474 | Screw |
| 15 | 2217294 | Gasket, Door | 32 | 2189000 | Plug, Handle | 49 | | Cabinet & Liner (NOT SERVICED) |
| 16 | 2185640 | Sleeve, Hinge | | | | | | |

FOR ORDERING INFORMATION REFER TO PARTS PRICE LIST

EVAPORATOR, ICE CUTTER GRID AND WATER PARTS

For Model: KUIC15NRTS1

(Stainless Steel)



FOR ORDERING INFORMATION REFER TO PARTS PRICE LIST

EVAPORATOR, ICE CUTTER GRID AND WATER PARTS

For Model: KUI15NRTS1

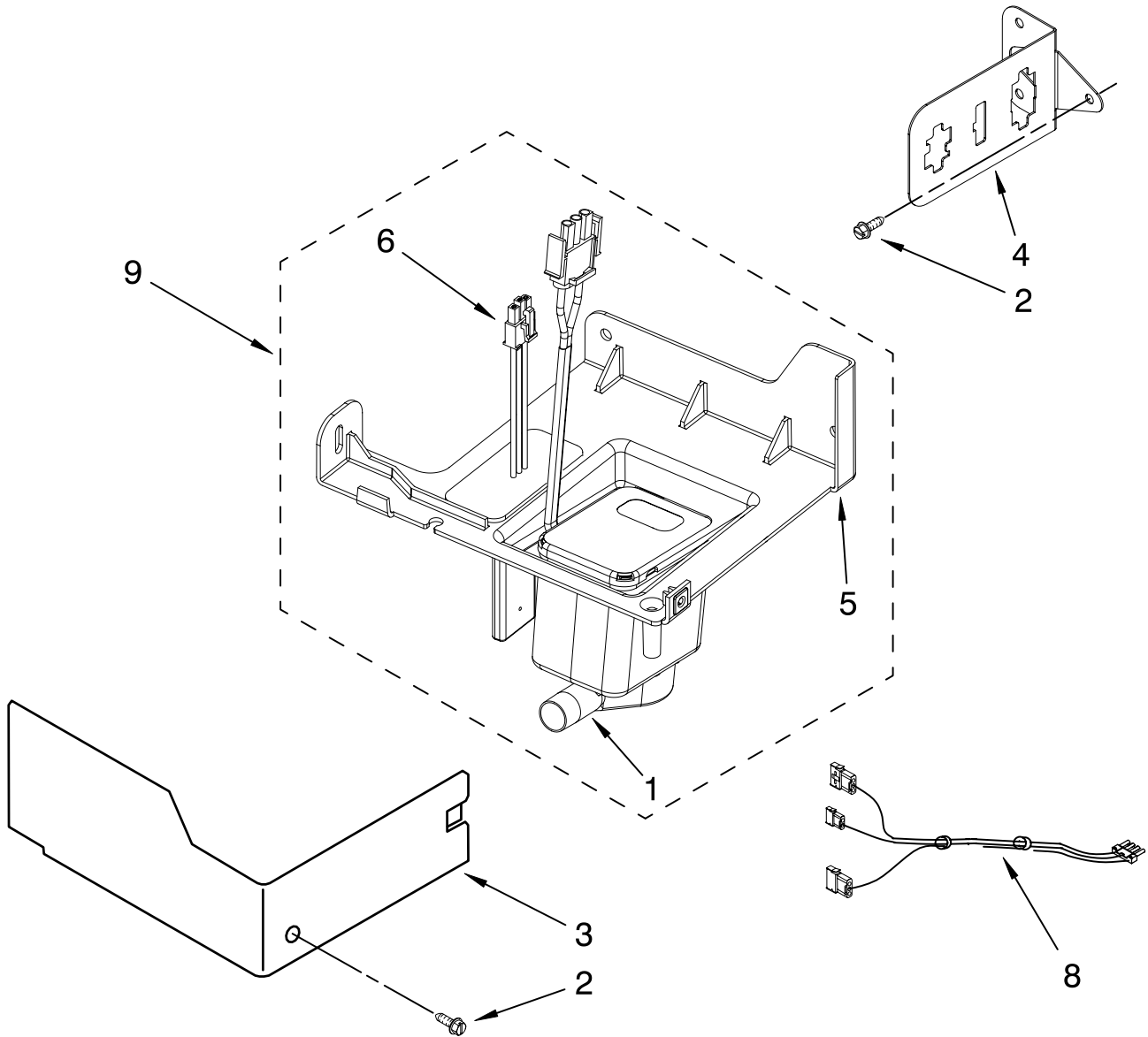
(Stainless Steel)

| <u>Illus. No.</u> | <u>Part No.</u> | <u>DESCRIPTION</u> |
|-------------------|-----------------|------------------------------|
| 1 | W10159841 | Valve, Complete Water |
| 2 | 2217286 | Tube, Plastic |
| 3 | 488208 | Screw |
| 4 | 2185523 | Dispenser, Water |
| 5 | 2217269 | Evaporator |
| 6 | 2313705 | Pump, Drain |
| 7 | 2313851 | Tube, Reservoir Pump |
| 8 | 2172593 | Tube, Water Fill |
| 9 | 488660 | Nut, Speed |
| 10 | 836667 | Spacer |
| 11 | 2208539 | Fastener, Pushnut |
| 12 | 489443 | Screw |
| 13 | 2185625 | Reservoir, Water Slide |
| 14 | 2185626 | Tube |
| 15 | 2313890 | Hose, Overflow |
| 16 | 2313604 | Guide-Ice, Grid |
| 17 | 2313603 | Bracket, Front and Rear |
| 18 | 2313602 | Bracket, Side Left and Right |
| 19 | 2185681 | Harness, Grid |
| 20 | W10136146 | Tube |
| 21 | 2310169 | Wire Assembly (Valve) |
| 26 | 3400886 | Screw |
| 28 | 2313637 | Grid Assembly (Complete) |
| 29 | 2174754 | Wire, Grid Cutter |
| 30 | 2185570 | Cover, Grid |
| 31 | 8281228 | Thumbscrew |
| 32 | 2324334 | Reservoir, Water |
| 33 | 3400884 | Screw |
| 34 | 2185696 | Cap, Drain |
| 35 | 3400909 | Nut, Push-In |

FOR ORDERING INFORMATION REFER TO PARTS PRICE LIST

PUMP PARTS

For Model: KUIC15NRTS1
(Stainless Steel)



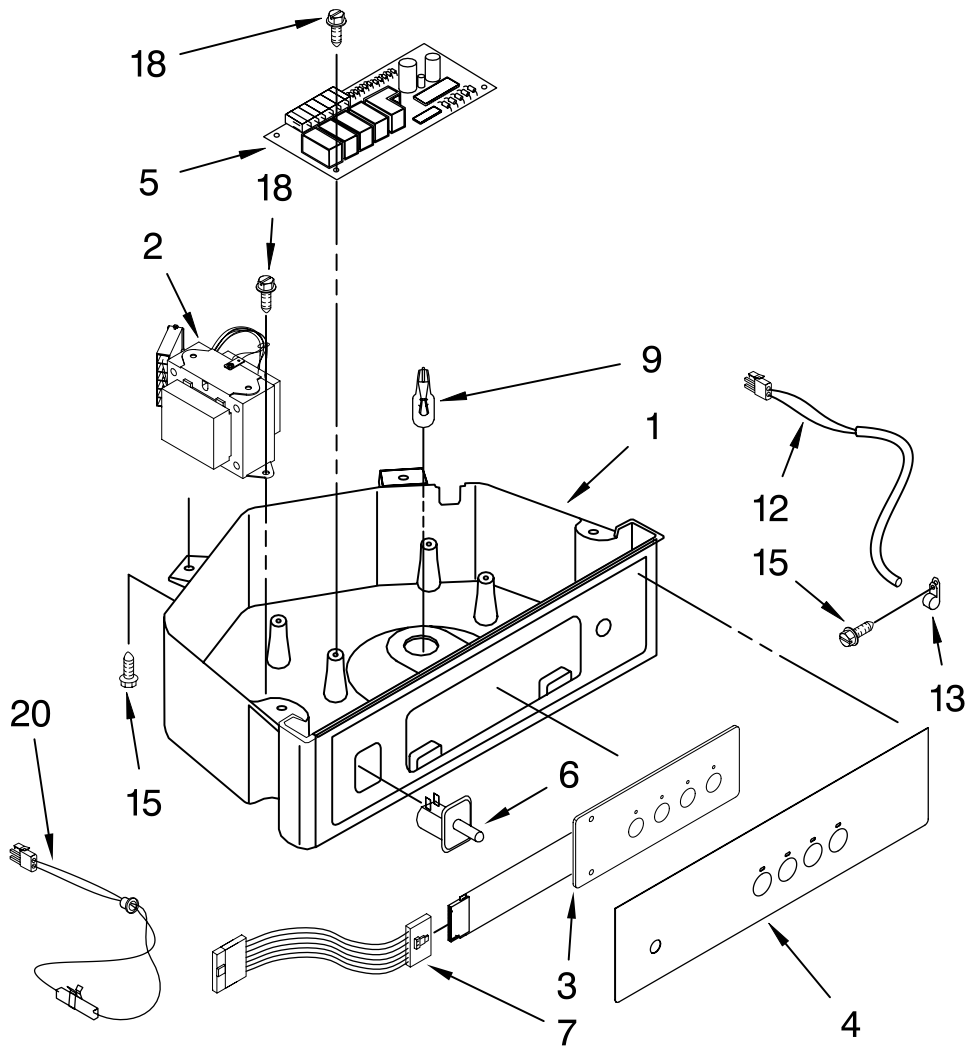
| Illus. No. | Part No. | DESCRIPTION |
|------------|----------|-----------------------------|
| 1 | 2313628 | Pump-Recirculating |
| 2 | 3400884 | Screw 8-18 X 5/8 |
| 3 | 2185677 | Cover, Pump |
| 4 | 2313844 | Bracket, Connector Assembly |
| 5 | 2313627 | Bracket-Pump |
| 6 | 2313643 | Sensor-Water Level |
| 8 | 2310092 | Wiring Harness Main To Pump |
| 9 | 2313702 | Pump Assembly |

FOR ORDERING INFORMATION REFER TO PARTS PRICE LIST

CONTROL PANEL PARTS

For Model: KUIC15NRTS1

(Stainless Steel)

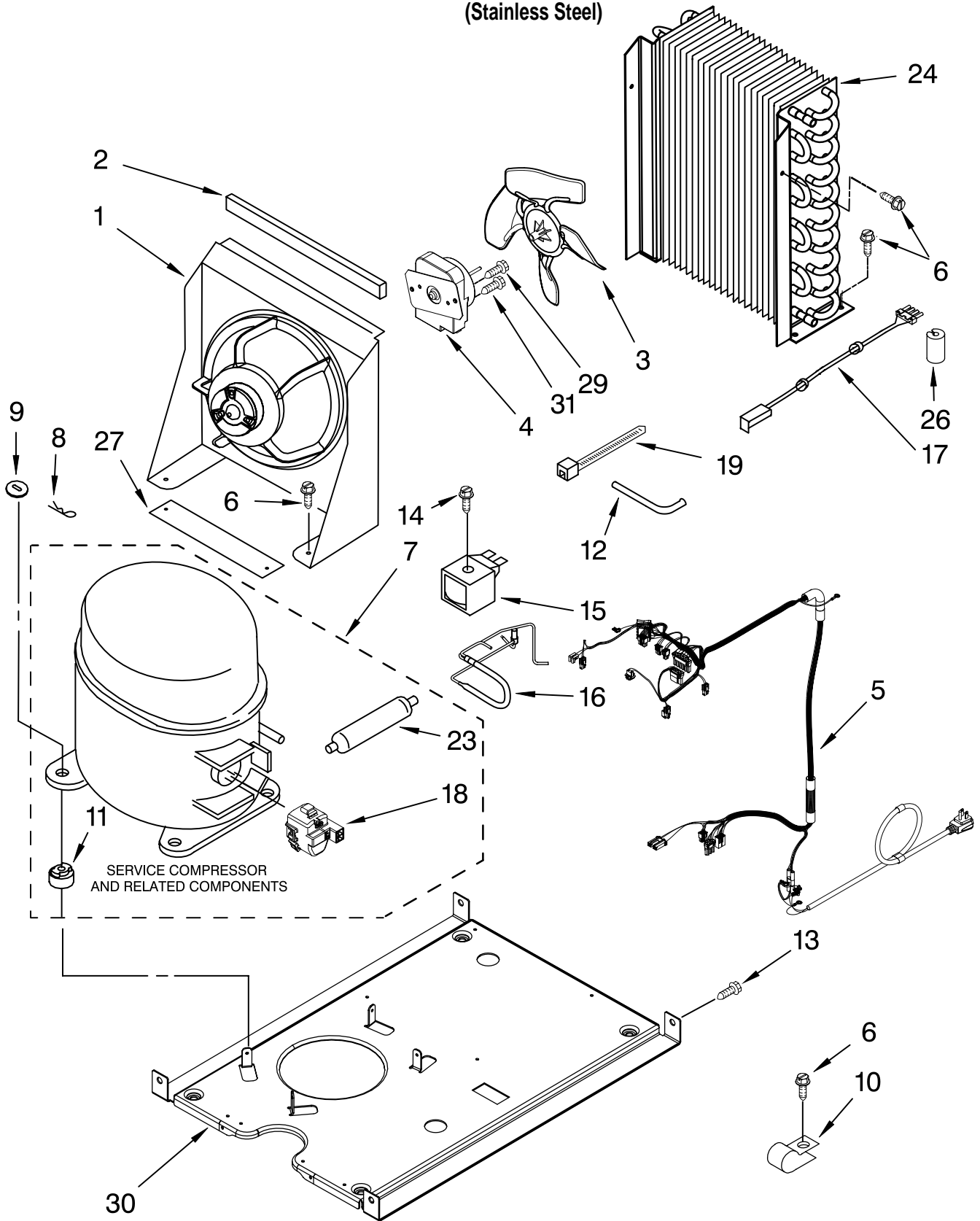


| Illus. No. | Part No. | DESCRIPTION |
|------------|-----------|-------------------------------------|
| 1 | W10139127 | Box, Control |
| 2 | 2310139 | Transformer |
| 3 | 2304122 | Assembly, Switch (ALSO ORDER #4) |
| 4 | 2313693 | Overlay |
| 5 | W10122069 | Control Board |
| 6 | 2149705 | Switch, Plunger Grid/Light |
| 7 | 2187585 | Wire Assy-Active Overlay Jumper |
| 9 | 745362 | Bulb |
| 12 | 2313633 | Thermostat, Bin |
| 13 | 2185825 | Clamp |
| 15 | 3400884 | Screw |
| 18 | 3400850 | Screw |
| 20 | 2313635 | Thermister, Ice Control |

FOR ORDERING INFORMATION REFER TO PARTS PRICE LIST

UNIT PARTS

For Model: KUIC15NRTS1
(Stainless Steel)



FOR ORDERING INFORMATION REFER TO PARTS PRICE LIST

UNIT PARTS

For Model: KUIC15NRTS1
(Stainless Steel)

| Illus. No. | Part No. | DESCRIPTION |
|------------|-----------|---|
| 1 | 2185532 | Bracket, Fan Mtg. |
| 2 | 2185675 | Pad, Foam |
| 3 | 2188935 | Blade, Fan |
| 4 | 2315558 | Motor & Mounting Plate Assembly |
| 5 | W10139121 | Wiring Harness, Complete Unit (Includes Power Cord) |
| 6 | 304392 | Screw |
| 7 | W10136195 | Compressor (Includes Illus. 11 & 23) |
| 8 | A201435 | Clip, Mounting |
| 9 | A201441 | Shim (4) |
| 10 | 2185960 | Clamp-Service Cord |

| Illus. No. | Part No. | DESCRIPTION |
|------------|-----------|-------------------------------------|
| 11 | | Grommet (4) |
| | 2217318 | Production |
| | 4387558 | Service |
| 12 | 2208415 | Tube, Process |
| 13 | 489423 | Screw |
| 14 | 489472 | Screw |
| 15 | 759112 | Coil, Solenoid |
| 16 | 2313806 | Hot Gas Valve |
| 17 | 2187629 | Wiring Harness, Condenser Fan |
| 18 | W10136197 | Start Relay & Overload Combo Device |
| 19 | 2155774 | Strap |

| Illus. No. | Part No. | DESCRIPTION |
|------------|----------|------------------|
| 23 | | Drier |
| | 2319826 | Production |
| | 4387019 | Service |
| 24 | 2313624 | Condenser |
| 26 | 2319835 | Grommet-Cond.(1) |
| 27 | 2217397 | Pad, Foam (2) |
| 29 | 8281197 | Screw |
| 30 | 2217388 | Base, Unit |
| 31 | 8281196 | Screw |

REFRIGERANT CHARGE

6.5 OZ. (R134A)



OPTIONAL PARTS (NOT INCLUDED)

For Model: KUIC15NRTS1

(Stainless Steel)

| <u>Illus.</u> | <u>Part</u> | |
|---------------|-------------|--------------------|
| <u>No.</u> | <u>No.</u> | <u>DESCRIPTION</u> |

Parts Not Illustrated and
Optional Parts (Not Included)

| | |
|---------|---|
| 8171307 | Cleaner, Icemaker |
| 503695 | Sealer, Cork (1/4 Pound) |
| 797403 | Cement, Insulation (1 Oz.) |
| 505587 | Sealer, Mastic (1 Qt.) |
| 212643 | Sealer, Gum (22 Pcs. 3/16" x 7") |
| 479976 | Kit, Insulation (5 Pcs. 3" x 24" x 48") |
| 8537055 | Cleaner, Stainless Steel |
| 978025 | Valve, Access (1/4") |
| 978026 | Valve, Access (5/16") |
| 978027 | Valve, Access (3/8") |
| 978028 | Valve, Access (1/2") |
| 978029 | Valve, Access (5/8") |
| 978030 | Valve, Access (3/4") |

ACCESSORIES

| | |
|----------|---|
| | Previous Architect Series Handle Kit |
| 2217442S | Handle Door-SS |

FOR ORDERING INFORMATION REFER TO PARTS PRICE LIST