

# **ICE o-Matic**®

## SERVICE PARTS MANUAL

The ICE Series Undercounter Cubers

MODEL-ICEU150, ICEU220, ICEU225, ICEU226





# ICE Undercounter Service Parts

This parts list contains the service parts available for the ICE Undercounter icemakers.

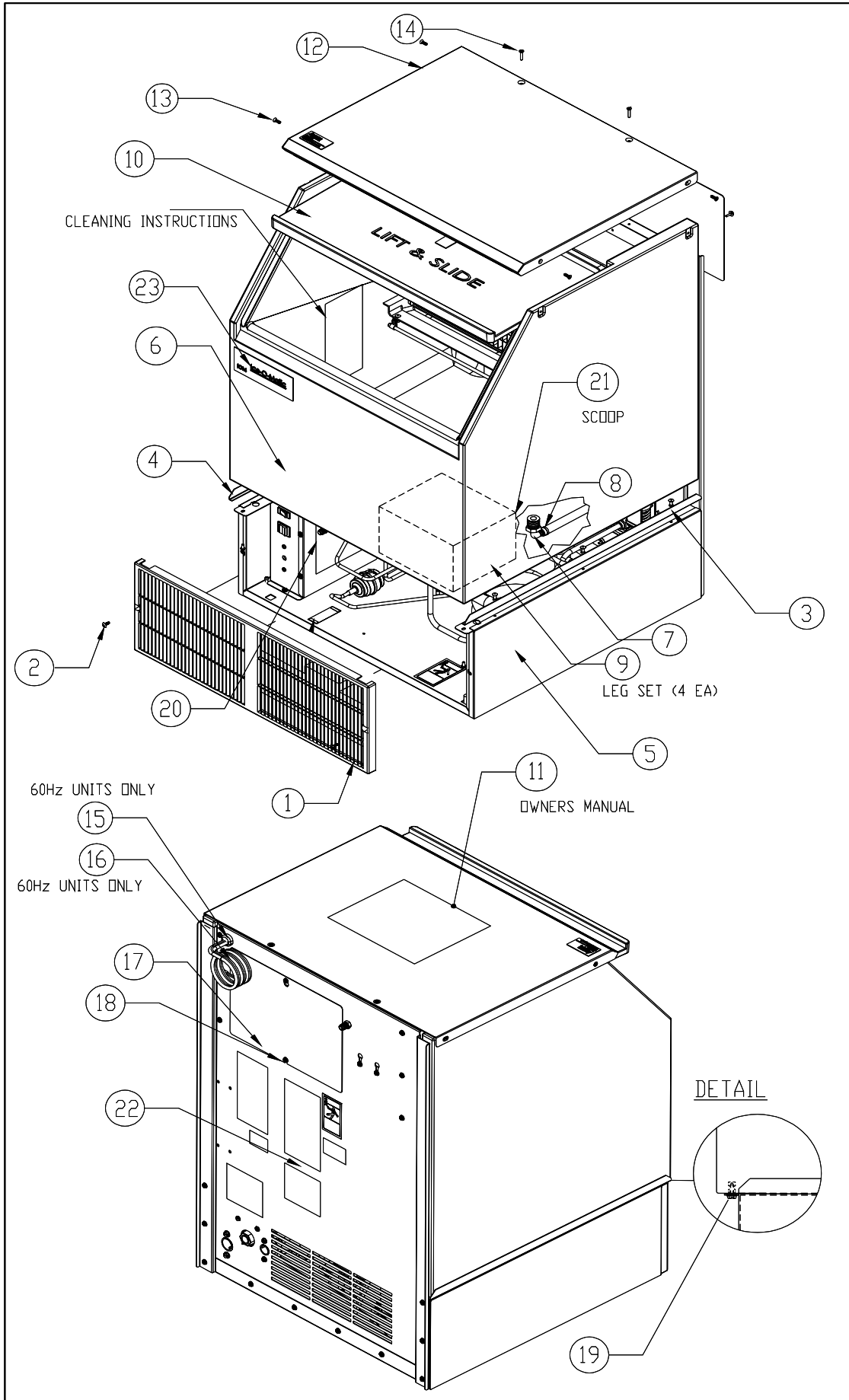
Check the model number on the data plate and refer to the correct listing for the specific component.

Check carefully that the correct part is identified and ordered.

<b>Table of Contents</b>	<b>Page 1</b>
<b>Bin and Exterior Components</b>	<b>Page 2 - 3</b>
<b>Refrigeration System</b>	<b>Page 4 - 5</b>
<b>Harvest Assist Assembly</b>	<b>Page 6</b>
<b>Control Box</b>	<b>Page 7</b>
<b>Evaporator</b>	<b>Page 8</b>
<b>Water Pump</b>	<b>Page 9</b>
<b>Wiring Diagram</b>	<b>Page 10</b>

ICE-O-Matic  
11100 East 45th Ave.  
Denver Co. 80239  
866-PUREICE

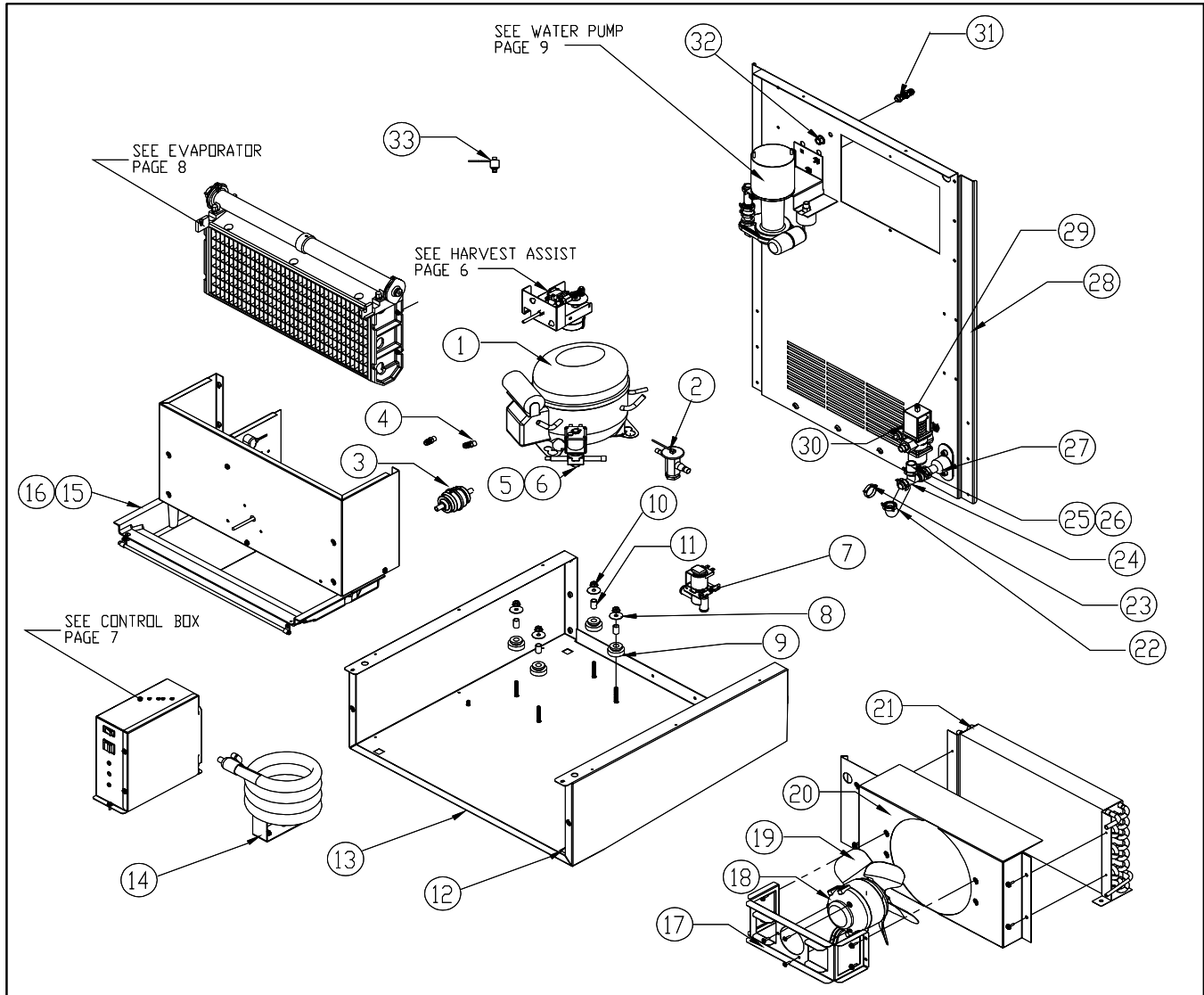
The ICE Series Service Manual is available seperately, Part Number 9081270-01



## ICE Undercounter Service Parts

## Bin and Exterior Components

Item	Description	ICEU150	ICEU220	ICEU225	ICEU226
1	Front Grill Panel	9051515-01	9051515-01	9051515-01	9051515-01
2	Grill Panel Screw #8 x 11/2	9031098-02	9031098-02	9031098-02	9031098-02
3	Trim Strip RH	3021875-01	3021875-01	3021875-01	3021875-01
4	Trim Strip LH	3021875-02	3021875-02	3021875-02	3021875-02
5	Side Panel S/S	3021874-01	3021874-01	3021874-01	3021874-01
6	Bin Assembly (Includes Item # 7)	2101275-01S	2101275-01S	2101275-01S	2101275-01S
7	Elbow, 3/4MPT x 1/2	9091122-02	9091122-02	9091122-02	9091122-02
8	Plastic Hose Clamp	9021010-03	9021010-03	9021010-03	9021010-03
9	Leg Set (4 ea.)	9021095-01	9021095-01	9021095-01	9021095-01
10	Bin Door, Black	9051310-01	9051310-01	9051310-01	9051310-01
11	Owners Manual	9081264-01	9081264-01	9081264-01	9081264-01
12	Top Panel	3021540-02	3021540-02	3021540-02	3021540-02
13	Top Panel Screw	9031023-10	9031023-10	9031023-10	9031023-10
14	Top Panel Screw	9031019-07	9031019-07	9031019-07	9031019-07
15	Strain Relief	9121015-04	9121015-04	N/A	N/A
16	Power Cord	9101242-01	9101242-01	N/A	N/A
17	Panel, Rear Access	3012149-01	3012149-01	3012149-01	3012149-01
18	Screw #10-16 x 1/2	9031046-01	9031046-01	9031046-01	9031046-01
19	Screw Hex Head	9031112-01	9031112-01	9031112-01	9031112-01
20	Control Box Cover	3013161-01	3013161-01	3013161-01	3013161-01
21	Ice Scoop	9051127-02	9051127-02	9051127-02	9051127-02
22	Rear Panel	3013164-01	3013164-01	3013164-01	3013164-01
23	Name Plate	9071974-01	9071974-01	9071974-01	9071974-01



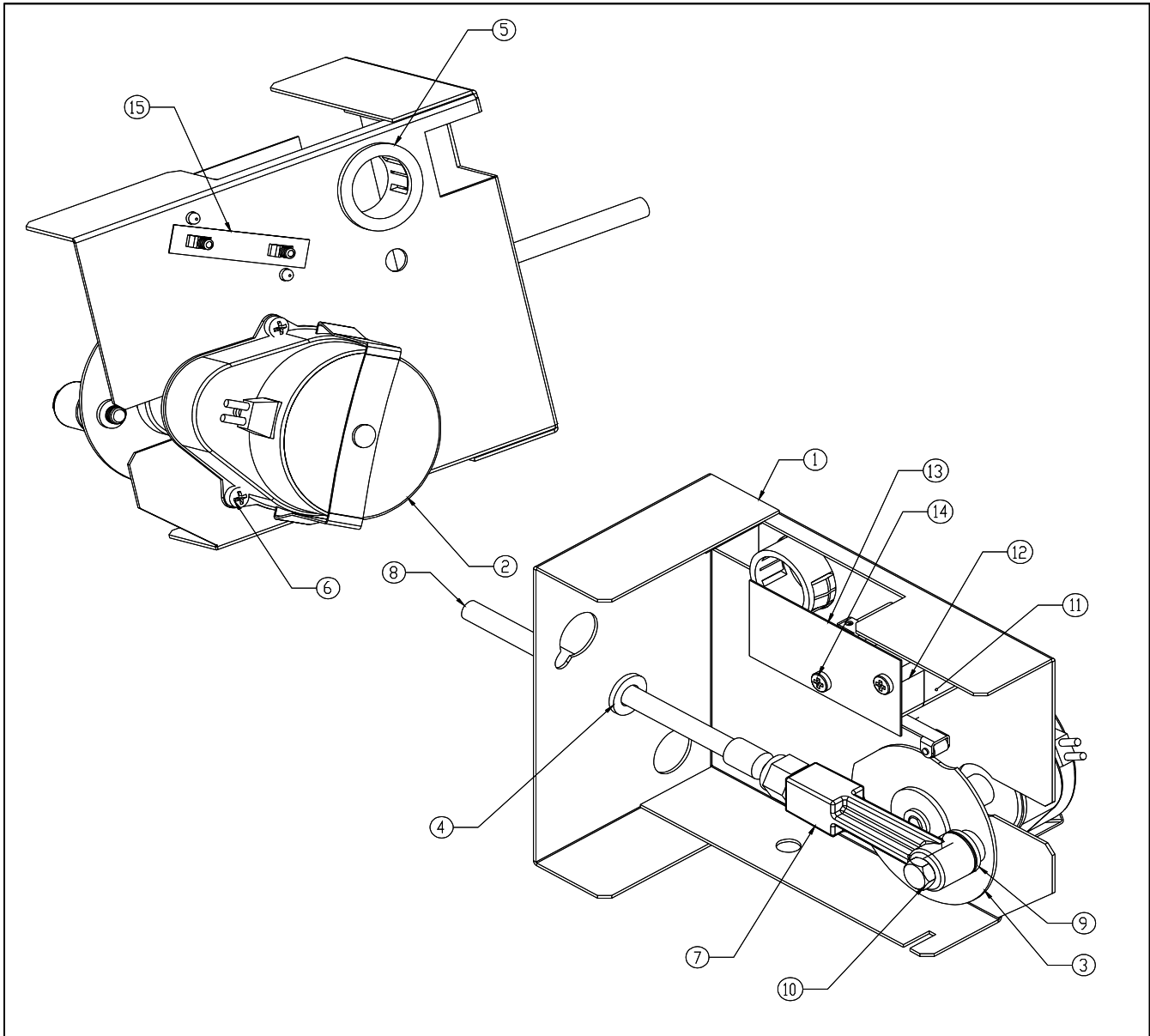
PLEASE NOTE UNDERCOUNTER UNITS DO NOT UTILIZE A SPLASH CURTAIN

Item	Description	ICEU150	ICEU220	ICEU225	ICEU226
1	Compressor Kit	9181115-11	9181115-12	9181115-13	9181115-14
2	Expansion Valve-Alco	9151134-03	9151134-07	9151134-07	9151134-07
3	Drier	9151004-02	9151004-02	9151004-02	9151004-02
4	Service Valve Core	9091086-02	9091086-02	9091086-02	9091086-02
	Service Valve Cap	9091086-03	9091086-03	9091086-03	9091086-03
5	Hot Gas Valve Body	9151123-06	9151123-06	9151123-06	9151123-06
6	Hot Gas Valve Coil	9151123-03	9151123-03	9151123-04	9151123-04
7	Purge Valve	9041086-04	9041086-04	9041086-05	9041086-05

Compressor Components	ICEU150	ICEU220	ICEU225	ICEU226
Compressor Kit	9181115-11	9181115-12	9181115-13	9181115-14
Overload	9181005-42	9181005-38	9181005-40	9181005-41
Start Capacitor	9181003-43	9181003-42	9181003-29	9181003-41
Compressor Relay	9181004-24	9181004-24	9181004-20	9181004-28

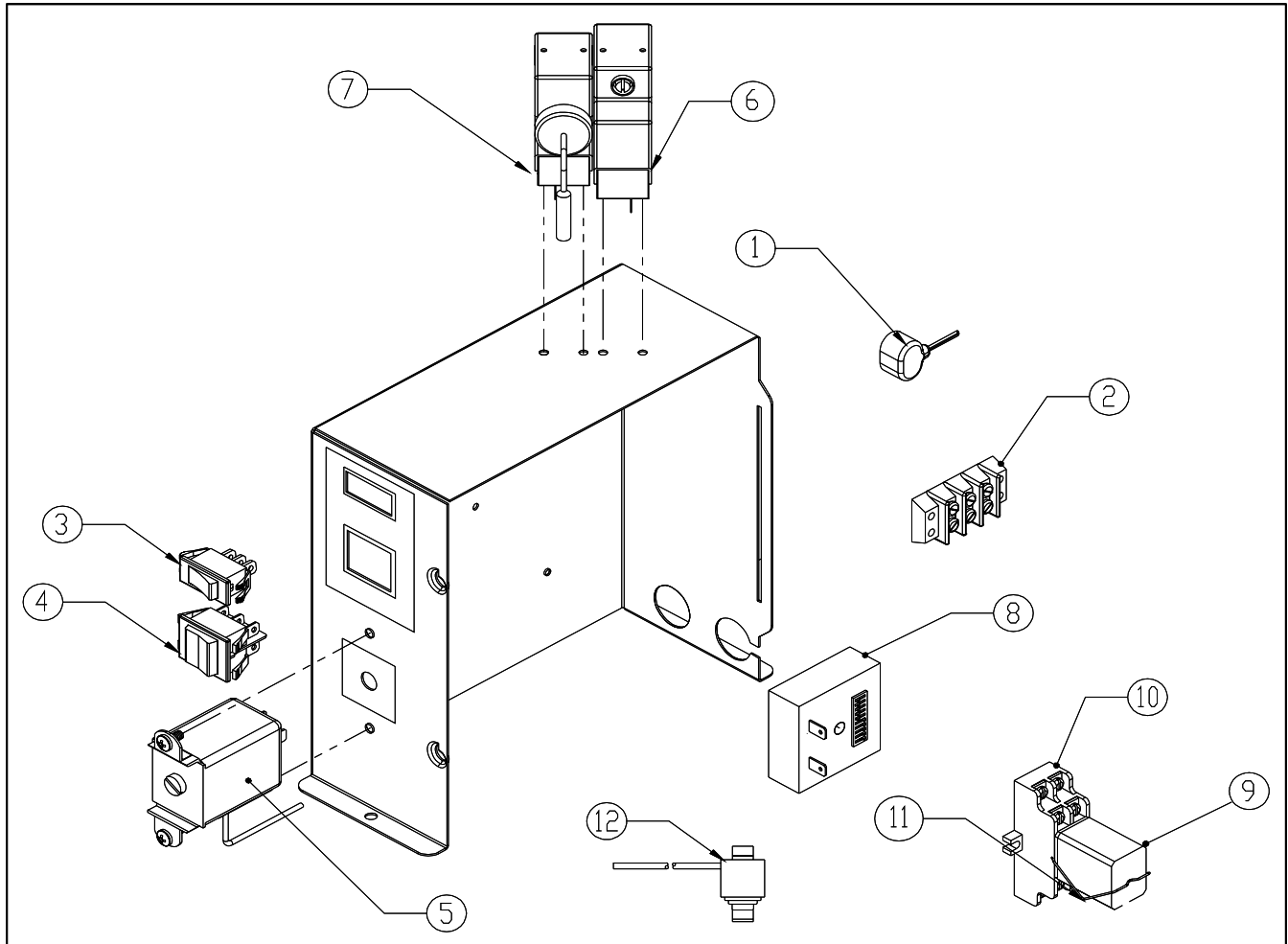
**ICE Undercounter Service Parts****Refrigeration**

<b>Item</b>	<b>Description</b>	<b>ICEU150</b>	<b>ICEU220</b>	<b>ICEU225</b>	<b>ICEU226</b>
8	Flat Washer	9031004-02	9031004-02	9031004-02	9031004-02
9	Grommet	9181002-10	9181002-10	9181002-10	9181002-10
10	Lock Nut	9031118-02	9031118-02	9031118-02	9031118-02
11	Sleeve Compressor Mounting	9181002-11	9181002-11	9181002-11	9181002-11
12	Lock Nut (Leg)	9031012-02	9031012-02	9031012-02	9031012-02
13	Base Assembly	2021623-01	2021623-01	2021623-01	2021623-01
14	Water Condenser	9041022-01	9041022-01	9041022-01	9041022-01
15	Water Trough Assembly	2101151-01S	2101151-01S	2101151-01S	2101151-01S
16	Water Trough Screws	9031122-02	9031122-02	9031122-02	9031122-02
17	Fan Bracket	3013250-01	3013250-01	3013250-01	3013250-01
18	Fan Motor	9161028-01	9161112-01	9161112-02	9161112-02
19	Fan Blade	9131446-01	9131446-01	9131446-01	9131446-01
20	Fan Shroud	3013254-01	3013254-01	3013254-01	3013254-01
21	Air Condenser	9141126-01	9141126-01	9141126-01	9141126-01
22	Purge Drain Tube	9051280-08	9051280-08	9051280-08	9051280-08
23	Hose Clamp	9021010-05	9021010-05	9021010-05	9021010-05
24	Barbed Tee	9091024-01	9091024-01	9091024-01	9091024-01
25	Tubing 9/16 x 20 Inches Long	3051222-20	3051222-20	3051222-20	3051222-20
26	Hose Clamp	9021010-04	9021010-04	9021010-04	9021010-04
27	Drain Adapter	9091138-01	9091138-01	9091138-01	9091138-01
28	Rear Panel	3013164-01	3013164-01	3013164-01	3013164-01
29	Water Regulator	9041059-01	9041059-01	9041059-01	9041059-01
30	Drop Adapter Fitting	9091063-02	9091063-02	9091063-02	9091063-02
31	Water Inlet Fitting	9091135-01	9091135-01	9091135-01	9091135-01
32	Flanged Lock Nut	9031118-05	9031118-05	9031118-05	9031118-05
33	High Temperature Safety Control	9041087-03	9041087-03	9041087-03	9041087-03

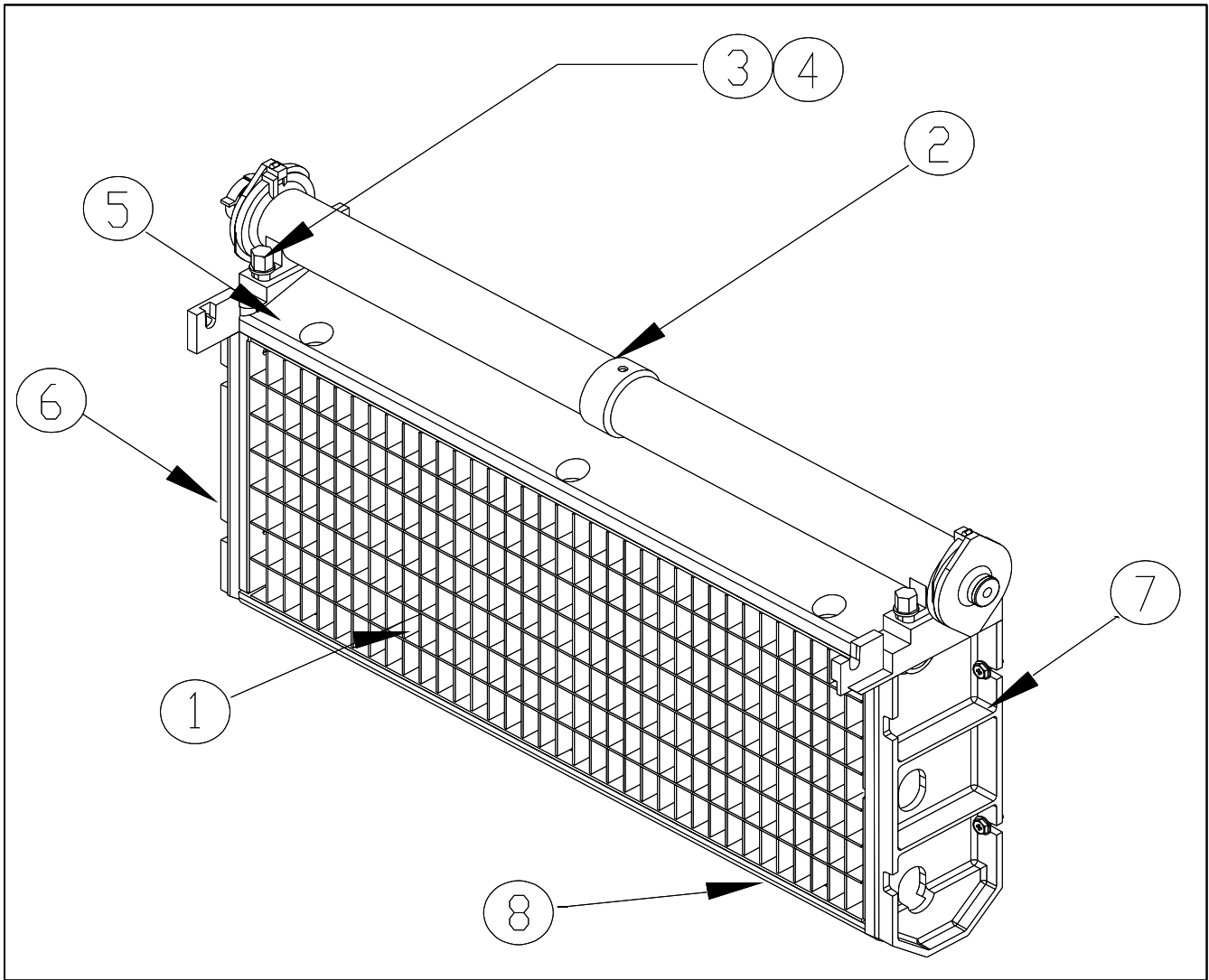


Item	Description	ICEU150	ICEU220	ICEU225	ICEU226
1	Bracket, Probe Motor	3013170-01	3013170-01	3013170-01	3013170-01
2	Gear Motor	9161030-01	9161030-01	9161031-01	9161031-01
3	Clutch Assembly, 60 Degree	9131190-03	9131190-03	9131190-03	9131190-03
4	Snap Bushing	9051001-13	9051001-13	9051001-13	9051001-13
5	Snap Bushing	9051001-03	9051001-03	9051001-03	9051001-03
6	#6-32 x 1/2 Screw	9031019-08	9031019-08	9031019-08	9031019-08
7	Connecting Rod	9051057-01	9051057-01	9051057-01	9051057-01
8	Probe, Single Length	9021102-01	9021102-01	9021102-01	9021102-01
9	Flat Washer	9031003-03	9031003-03	9031003-03	9031003-03
10	Shoulder Screw	9031119-01	9031119-01	9031119-01	9031119-01
11	Spacer, Cam Switch	9051519-01	9051519-01	9051519-01	9051519-01
12	Cam Switch	9101160-01	9101160-01	9101160-01	9101160-01
13	Insulator	3051145-02	3051145-02	3051145-02	3051145-02
14	Pan head Screw	9031008-44	9031008-44	9031008-44	9031008-44
15	Speed Nut Plate	9031120-01	9031120-01	9031120-01	9031120-01
	Complete Assembly	2061962-05S	2061962-05S	2061962-07S	2061962-07S

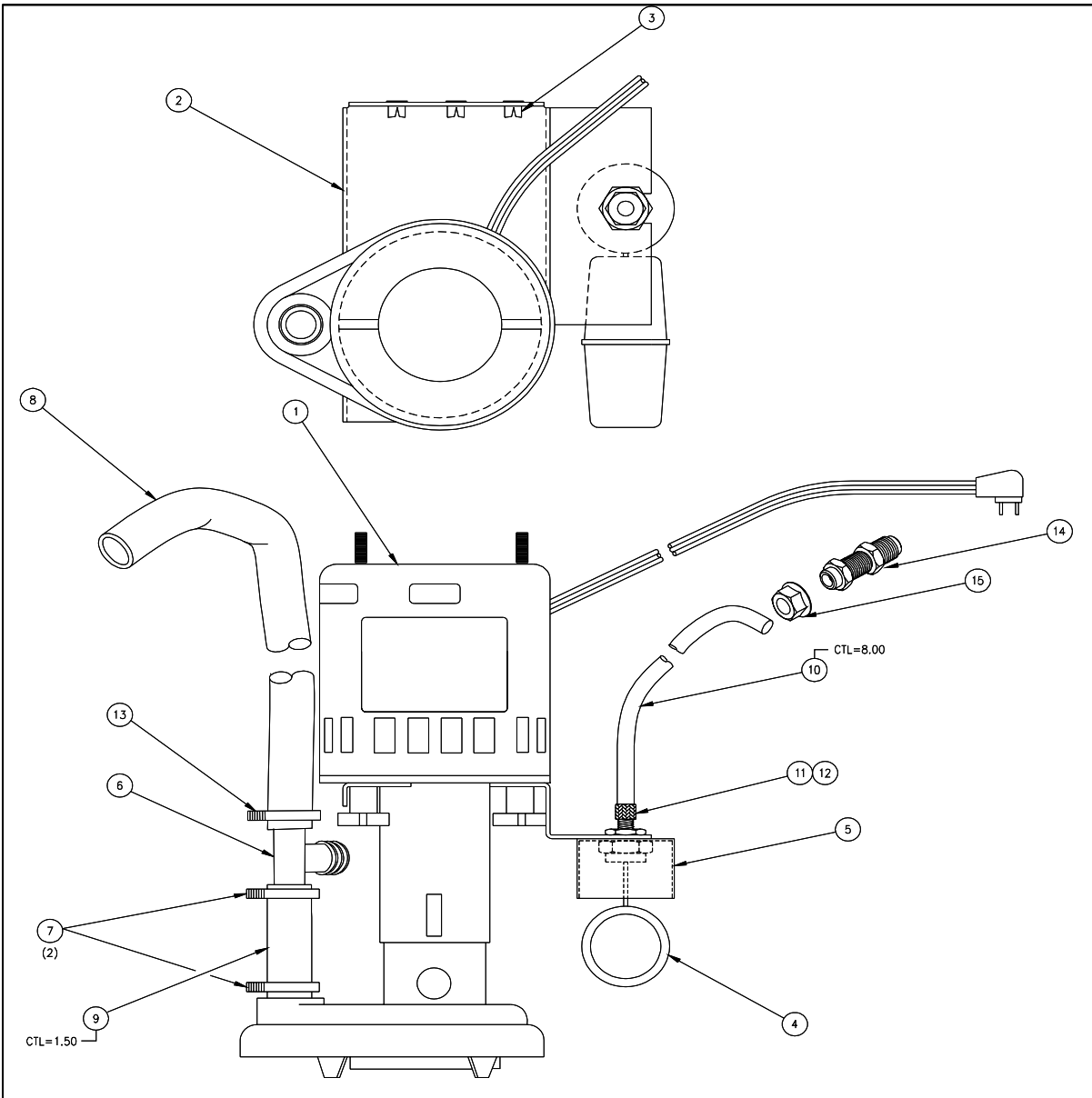




Item	Description	ICEU150	ICEU220	ICEU225	ICEU226
1	Water Pump Connector	9101218-01	9101218-01	9101218-01	9101218-01
2	Terminal Block	9101037-01	9101037-01	9101037-01	9101037-01
3	Switch-Purge	9101139-03	9101139-03	9101139-03	9101139-03
4	Ice/Off/Wash Switch	9101195-01	9101195-01	9101195-01	9101195-01
5	Thermostat-Bin Control	9041004-02	9041004-02	9041004-02	9041004-02
6	Low Pressure Control (Timer Initiate)	9041094-01	9041094-01	9041094-01	9041094-01
7	High Pressure Control	9041095-01	9041095-01	9041095-01	9041095-01
8	Timing Module	9101148-01	9101148-01	9101148-01	9101148-01
9	Relay	9101084-01	9101084-01	9101084-02	9101084-02
10	Socket-Relay	9101083-01	9101083-01	9101083-01	9101083-01
11	Hold Down Spring - Relay	9101083-02	9101083-02	9101083-02	9101083-02
12	High Temperature Safety Control	9041087-03	9041087-03	9041087-03	9041087-03



Item	Description	ICEU150	ICEU220	ICEU225	ICEU226
1	Evaporator-Half Cube (Shown)	2051231-02S	2051231-02S	2051231-02S	2051231-02S
1	Evaporator-Full Cube	2051231-01S	2051231-01S	2051231-01S	2051231-01S
2	Water Distribution Tube	2041338-01	2041338-01	2041338-01	2041338-01
3	Thumbscrew	9031122-01	9031122-01	9031122-01	9031122-01
4	Rubber Washer	9031004-19	9031004-19	9031004-19	9031004-19
5	Spillway	9051135-05	9051135-05	9051135-05	9051135-05
6	Left Side Evaporator Mounting Panel	9051136-07	9051136-07	9051136-07	9051136-07
7	Right Side Evaporator Mounting Panel	9051136-08	9051136-08	9051136-08	9051136-08
8	Water Return	9051135-04	9051135-04	9051135-04	9051135-04



Item	Description	ICEU150	ICEU220	ICEU225	ICEU226
1	Water Pump	9161076-01	9161076-01	9161076-02	9161076-02
	Thumbscrew for Pump (2 Req)	9161076-101	9161076-101	9161076-101	9161076-101
2	Pump Bracket	3012847-01	3012847-01	3012847-01	3012847-01
3	Plastic Nut	9031141-01	9031141-01	9031141-01	9031141-01
4	Float	9131111-01	9131111-01	9131111-01	9131111-01
5	Cap Plug	9131026-02	9131026-02	9131026-02	9131026-02
6	Plastic Barbed Tee 5/8	9091024-01	9091024-01	9091024-01	9091024-01
7	Plastic Clamp	9021010-04	9021010-04	9021010-04	9021010-04
8	Hose PVC 9/16 (Formed)	9051280-05	9051280-05	9051280-05	9051280-05
9	Hose PVC 5/8 - 1.50 Inch Required	6021015-04	6021015-04	6021015-04	6021015-04
10	Tube-Polyethylene - 8 Inches Required	6021032-01	6021032-01	6021032-01	6021032-01
11	Barrel Fitting	9091080-01	9091080-01	9091080-01	9091080-01
12	Sleeve	9091081-01	9091081-01	9091081-01	9091081-01
13	Plastic Clamp	9021010-03	9021010-03	9021010-03	9021010-03
14	Water Inlet Fitting	9091135-01	9091135-01	9091135-01	9091135-01
15	Lock Nut	9031118-05	9031118-05	9031118-05	9031118-05

**Please note:** Thumbscrews are shipped with the Water Pump when ordered as a service replacement part.

