

Electrolux Ice Makers

140/200 KG

The range of Electrolux ice makers/flakers is designed to meet every size of catering outlet, with a range of 21 models producing from 21 - 200 kg of cubes per 24 hours or 90 - 500 kg of ice flakes per 24 hours. A spray system produces solid, crystal clear ice cubes that are slow to melt and do not immediately dilute the drink.



730173

EASY TO INSTALL

- All units are supplied with flexible water supply and drain hoses.
- Plug as standard.
- Suitable for gravity drain only.

EASY TO CLEAN

- AISI 304 stainless steel external panels.
- Food grade ABS interior.
- Stainless steel spray arms removable without the use of tools and prevent limestone formation.

EASY TO USE

- Fully automatic in operation.
- Operates over a wide range of temperatures.

EASY TO MAINTAIN

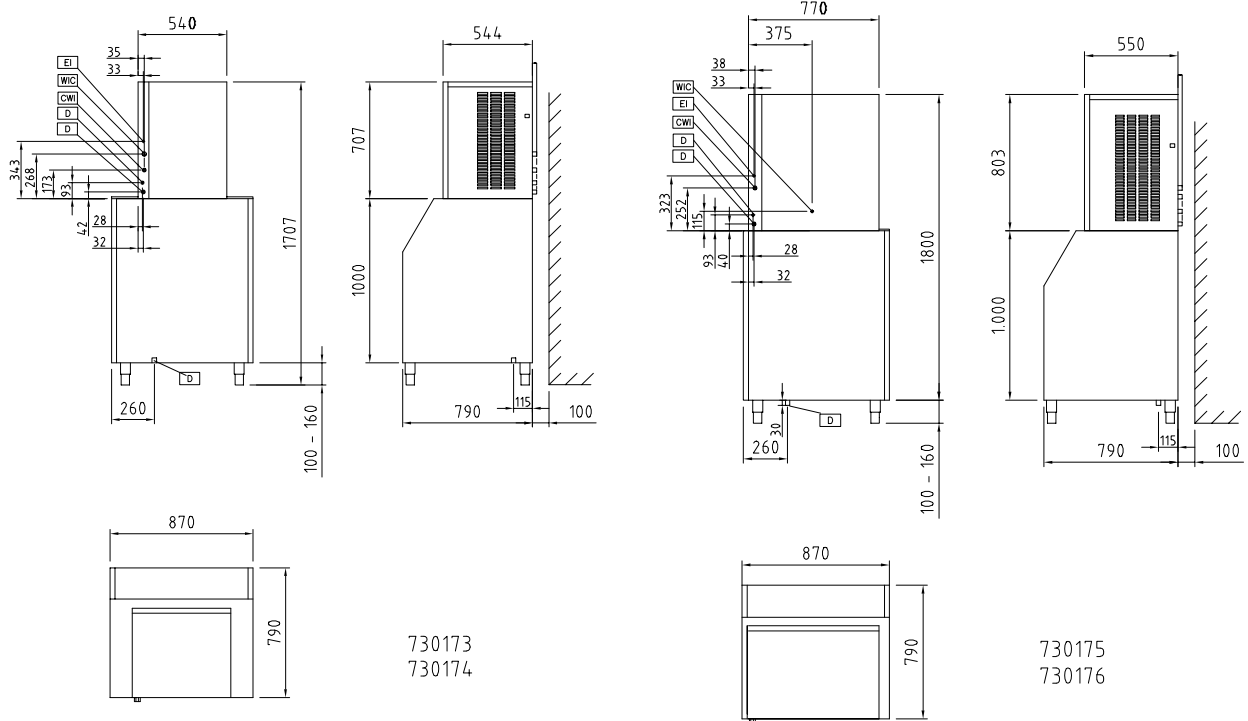
- Access to main components from the front.
- Efficient air or water cooling system.
- In compliance with CE requirements.

EASY ON THE ENVIRONMENT

- Rated output is at an ambient air temperature of 21°C and water supply temperature of 15°C.



Electrolux



Electrolux Ice Makers

140/200 KG

HEAM010

2009-10-06

Subject to change without notice

	IMC140AB20 730173	IMC140WB20 730174	IMC200AB20 730175	IMC200WB20 730176
LEGEND				
CWI - Cold water inlet	3/4"	3/4"	3/4"	3/4"
D - Water drain	24mm	24mm	24mm	24mm
EI - Electrical connection	220-240 V, 1N, 50	220-240 V, 1N, 50	220-240 V, 1N, 50	220/240 V, 1N, 50
TECHNICAL DATA				
Output - kg/day	140	140	200	200
Bin capacity - Kg	200	200	200	200
External dimensions - mm				
width	870	870	870	870
depth	790	790	790	790
height	1707	1707	1800	1800
Refrigerant type	R404a;	R404a;	R404a;	R404a
Power - kW				
installed-electric	1.4	1.4	1.6	1.6
Net weight - kg.	159	159	164	164
Power supply - V, phases, Hz	220-240 V, 1N, 50	220-240 V, 1N, 50	220-240 V, 1N, 50	220/240 V, 1N, 50
INCLUDED ACCESSORIES				
S/S COLLECTION BIN 200KG FOR ICE MAKERS	1	1	1	1