

Electrolux Ice Makers

33/42/46 KG

The range of the Electrolux ice makers/flakers is designed to meet every size of catering outlet, with a range of models producing from 21 - 200 kg of cubes per 24 hours or 90 - 500 kg of ice flakes per 24 hours. A spray system produces solid, crystal clear ice cubes and flakes that are slow to melt and do not immediately dilute the drink.



730544

EASY TO INSTALL

- All units are supplied with flexible water supply and drain hoses.
- Plug as standard.
- Suitable for gravity drain only.

EASY TO CLEAN

- AISI 304 stainless steel exterior.
- Food grade ABS interior.
- Stainless steel spray arms removable without the use of tools.

EASY TO USE

- Fully automatic in operation.
- Operates over a wide range of temperatures.
- Access to main components from the front.
- Efficient air or water cooling system.
- In compliance with CE requirements.

EASY ON THE ENVIRONMENT

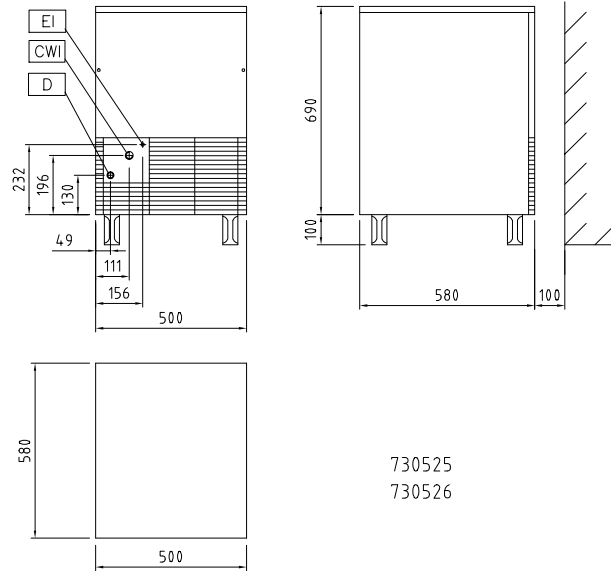
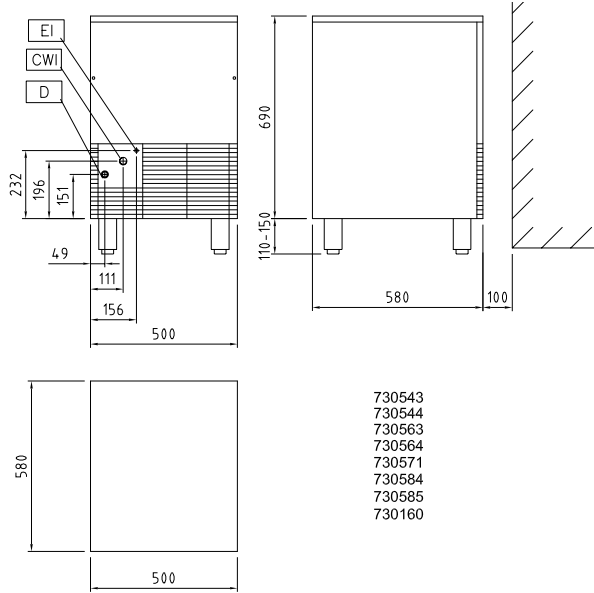
- Rated output is at an ambient air temperature of 21°C and water supply temperature of 15°C.



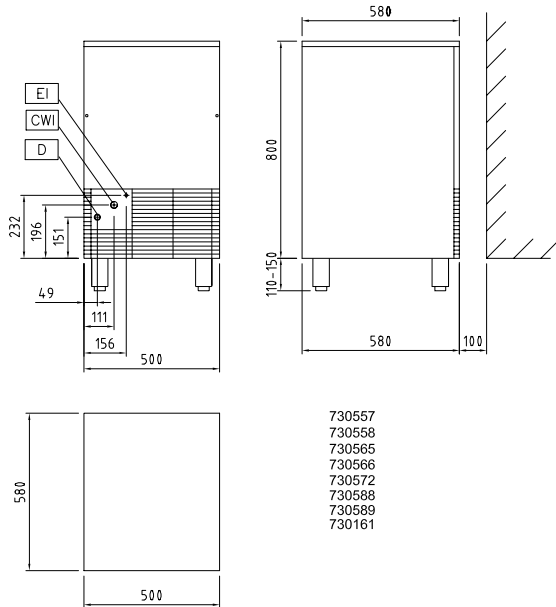
 **Electrolux**

730543, 730160, 730544

730525, 730526



730557, 730161, 730558



Electrolux Ice Makers

33/42/46 KG

HEAC010

2009-10-06

	RIMC038SA 730543	RIMC038SW 730544	FGC33AS42 730160	FGC42A 730525	FGC42W 730526	RIMC050SA 730557	RIMC050SW 730558	FGC46AS42 730161
LEGEND								
CWI - Cold water inlet	3/4"	3/4"	3/4"			3/4"	3/4"	3/4"
D - Water drain	24mm	24mm	24 mm			24mm	24mm	24 mm
EI - Electrical connection	220/240 V, 1N, 50	220/240 V, 1N, 50	220/240 V, 1N, 50	220/240 V, 1N, 50	220/240 V, 1N, 50	220/240 V, 1N, 50	220/240 V, 1N, 50	220/240 V, 1N, 50
TECHNICAL DATA								
Air cooled	●		●	●		●		●
Water cooled		●			●		●	
Output - kg/day	33	33	33	42	42	46	46	46
Bin capacity - Kg	16	16	16	16	16	25	25	25
Kind of cube	A - 18g	A - 18g		A - 18g	A - 18g	A - 18g	A - 18g	E - 42g
External dimensions - mm								
width	500	500	500	500	500	500	500	500
depth	580	580	580	580	580	580	580	580
height	800	800	690	690	690	910	910	800
Refrigerant type	R404a	R404a	R404a;	R404a	R404a	R404a	R404a	R404a;
Power - kW								
installed-electric	0.37	0.37	0.37	0.45	0.45	0.5	0.5	0.5
Net weight - kg.	48	48	48	52	52	56	56	56
Power supply - V, phases, Hz	220/240 V, 1N, 50	220/240 V, 1N, 50	220/240 V, 1N, 50	220/240 V, 1N, 50	220/240 V, 1N, 50	220/240 V, 1N, 50	220/240 V, 1N, 50	220/240 V, 1N, 50

Subject to change without notice