



IMI CORNELIUS REMGOR INC ■ 500 REGENCY DRIVE ■ GLENDALE HEIGHTS, IL 60139-2268

Telephone (800) 551-4423

Facsimile (800) 519-4423

## INSTALLATION INSTRUCTIONS

### FOR

## DF/ED175-8V "K" STYLE LID KIT (P/N 629087903 (GRAY) AND 629087905 (BLACK))

**THIS "K" STYLE KIT APPLIES TO THE FOLLOWING ICE MAKERS:**

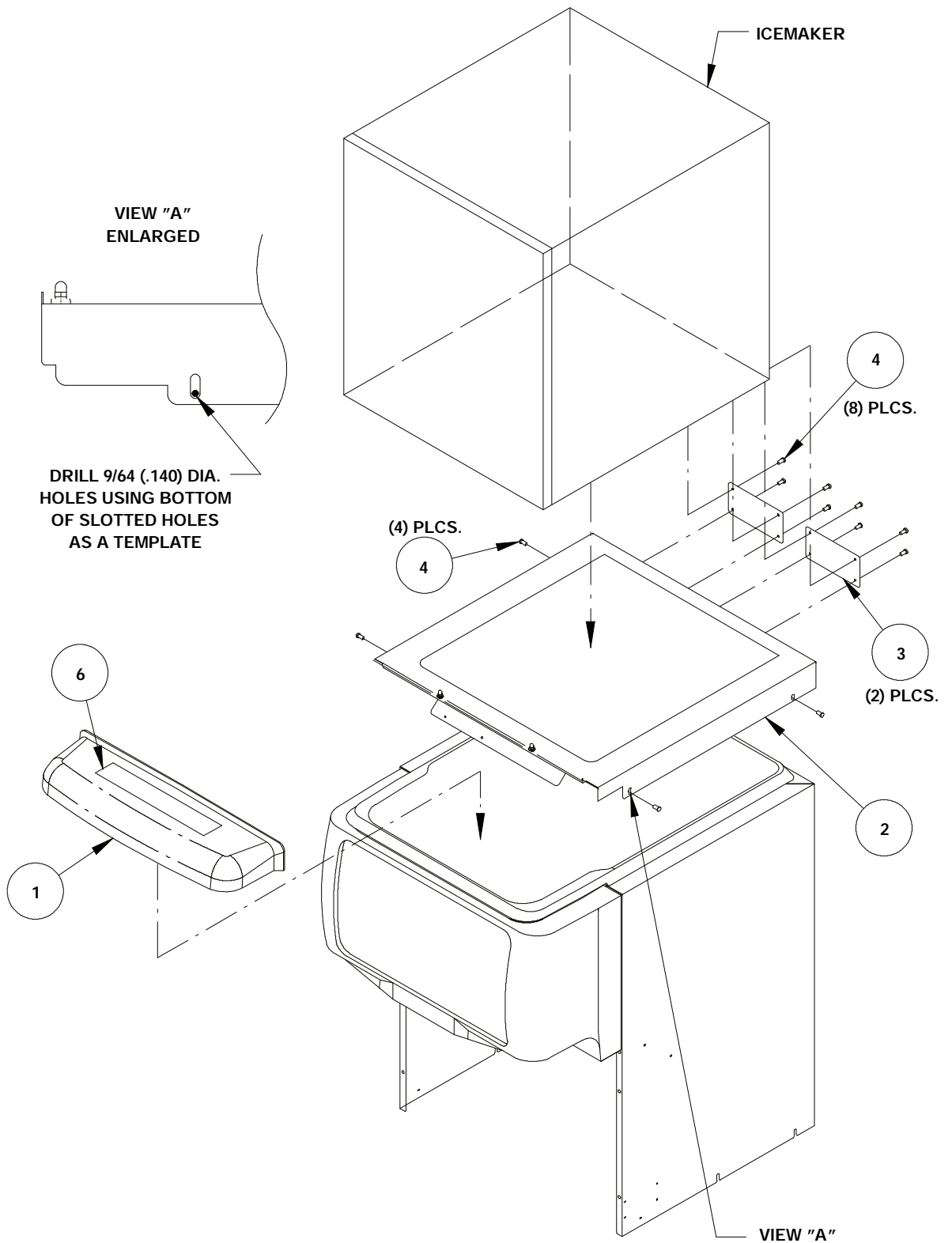
Ice Maker	Width
AC and WC Cornelius 322/522	22-in.

**Table 1. Loose-Shipped Parts**

Item No.	Part No.	Name	Qty.
1	620043511	Cover, Gray	1
	620043512	Cover, Black	1
2	620043506	Lid Assembly	1
3	22127	Bracket	2
4	70217	Screw, No. 8	12
5	50904	RTV	1
6	90221	Label	1
7	620919507	Installation Instruction	1
8	620701902	Acorn Nut, Nylon, 8-32	2
9	620701901	Sealing Washer	2
10	620037007	Ice Baffle, DF/ED150	1
11	621701903	Nylon Washer, #8	2
12	620505804	Insulation Strip	1
13	50456	Nylon Clamp, 1/4-in.	2
14	70171	Screw, Phillips Hd; SS, 8-32 X 3/8 in.	2
15	50377	Nylon Clamp, 1/8-in.	2
16	50309	Vinyl Tubing, 1/8-in. Dia. by 1/2-in. Long	25
17	631500000	Bin Stat Kit	1

1. Unpack kit.
2. Place INSULATION STRIP (Item 12) over studs on the baffle and Insert baffle assembly into the adapter lid.
3. Place two (2) sealing cap washers (item 9) over studs and two (2) NYLON WASHERS (item11), then fasten in place with two (2) ACORN NUTS (item 8).
4. Set ice maker lid on the top of the dispenser.
5. Using the slotted holes in the lid as a template, drill four (4) .140-in. diameter (9/64-in.) holes at the bottom of the slots (see detail A of Figure 1). Use extreme care not to drill into the hopper. Fasten the lid to the dispenser with four (4) #8 sheet metal screws, two on each side.
6. Seal the ice maker to the top of the dispenser as follows:
  - A. Run beads of RTV around the opening in the lid and inside of the perimeter of the ice maker outline so that the ice maker will set on the RTV.
  - B. Set the ice maker onto the lid and position it as required.
  - C. Wipe away the excess RTV.
7. Drill 9/64-in. diameter holes into the ice maker cabinet using the bracket as a template. Use extreme care not to drill into any ice maker components (condenser, tubing, etc.). Secure the brackets using the screws provided
8. Mount BIN STAT KIT (item 17) as instructed except for the bin stat capillary tube mounting.
9. Pull 32-inches of capillary tube out of bottom of the ice maker. Slit and place VINYL TUBING (item 16) over the capillary tube leaving 6-inches of bare capillary tube exposed between capillary "S" bend and vinyl tubing.
10. Assemble two (2) NYLON CLAMPS (item 15) to the back side of the ICE BAFFLE (item 10) with two (2) SCREWS (item 14) and ACORN NUTS (item 8). *Do not overtighten.*
11. Route capillary tube around baffle as shown in Figure 2 and Figure 3.
12. Position two (2) NYLON CLAMPS (item 15) on studs of ICE BAFFLE (item 10) and two (2) NYLON WASHERS (item 11) on studs as shown.
13. Place plastic insulation strip over the studs and insert baffle assembly into the bladder lid.
14. Place two (2) SEALING WASHERS (item 9) over studs and fasten in place with four (2) ACORN NUTS (item 8).
15. Route and form capillary as shown in Figure 2 and Figure 3. Tighten two (2) plastic clamps (8-32 X 3/8-in. screws) to hold capillary tube in place.
16. Turn bin stat adjustment screw to the right (clockwise) until it stops, then, turn adjustment screw to the left (counterclockwise) 1/8 – turn. Verify the bin stat is working by holding ice on the bare capillary tube. The bin stat will allow the ice machine cycle to complete and harvest ice, then the machine will shut down.
17. If the acorn nuts interfere with the positioning of the plastic manual fill cover, it may be necessary to make small notches in the cover to clear the acorn nuts.

**NOTE: Bin Thermostat must not interfere with the agitator rotation.**



**FIGURE 1. DISPENSER ASSEMBLY**

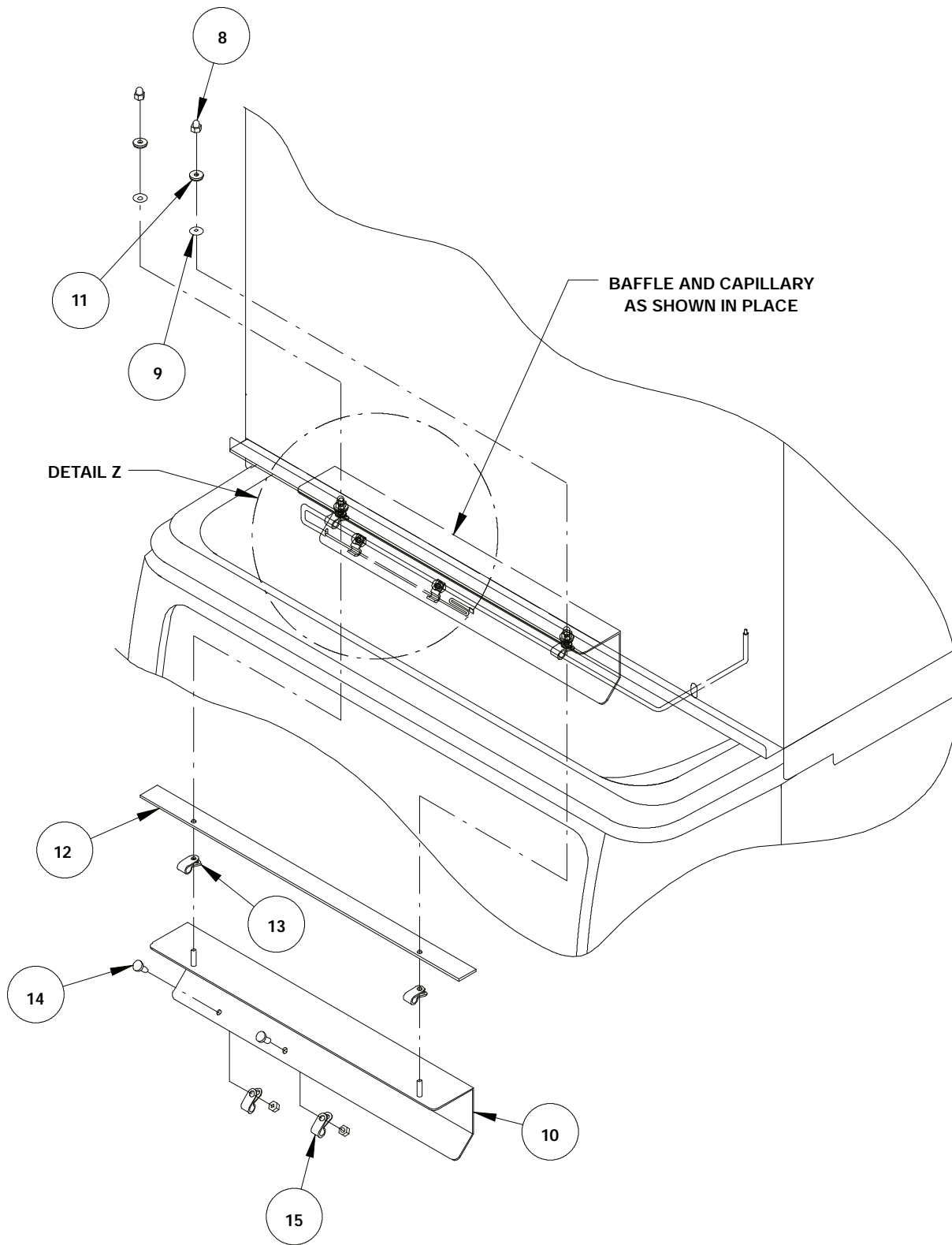


FIGURE 2. BAFFLE

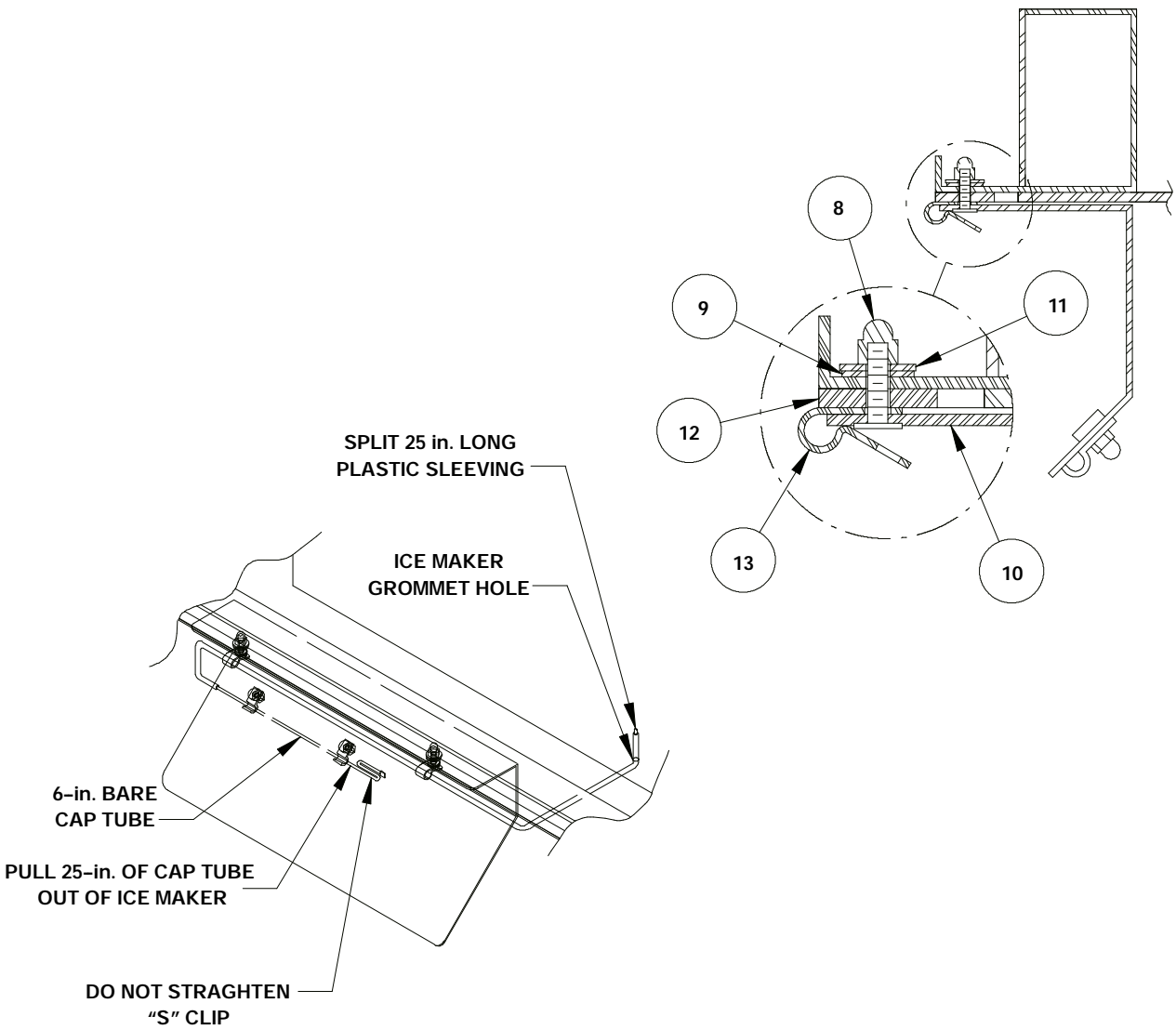
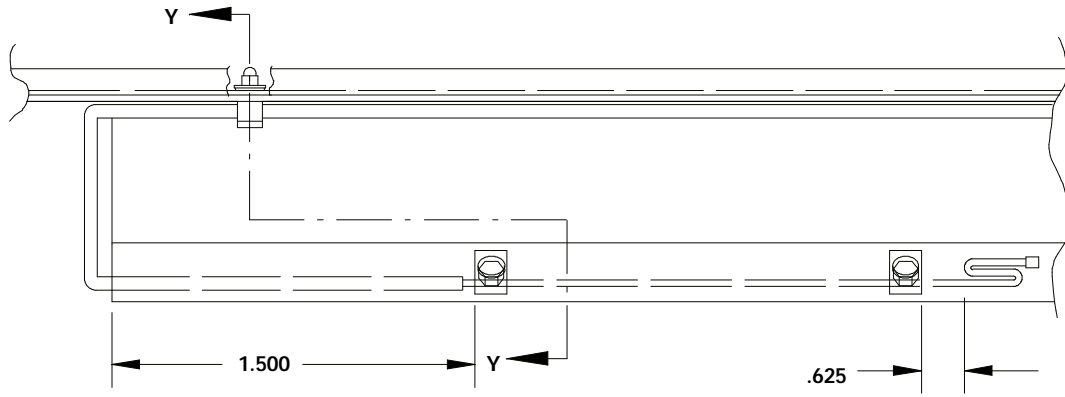


FIGURE 3. CAPILLARY TUBE LOCATION