



IMI CORNELIUS INC.  
[www.cornelius.com](http://www.cornelius.com)

---

**Nordic  
Model CCM1848\*\*\*1 & 2148\*\*\*1  
Service Parts Manual**



Publication Number: 631806064  
Revision Date: November 14, 2008  
Revision: B

Visit the IMI Cornelius web site at [www.cornelius.com](http://www.cornelius.com) for all your Literature needs.



This parts list contains the service parts available for the following icemakers.

**CCM1848\*\*\*1 Water and Remote**

**CCM2148\*\*\*1 Water and Remote**

Check the model number on the data plate and refer to the correct listing for the specific component.

Check carefully that the correct part is identified and ordered.

<b>Table of Contents</b>	<b>Page 1</b>
<b>Exterior Panels</b>	<b>Page 2</b>
<b>Water Cooled</b>	<b>Page 4</b>
<b>Remote</b>	<b>Page 6</b>
<b>Control Box</b>	<b>Page 8</b>
<b>Harvest Assist</b>	<b>Page 10</b>
<b>Water Pump/Float</b>	<b>Page 12</b>
<b>Remote Condenser</b>	<b>Page 14</b>

E-Mail: [tech.service@Cornelius.com](mailto:tech.service@Cornelius.com)

[Website: www.cornelius.com](http://www.cornelius.com)

Telephone Number

800-238-3600 All Departments

The CCM Series Service manual is available separately Part Number 631806061

Note: Model Number Suffix Indicates Machine Voltage As Follows:

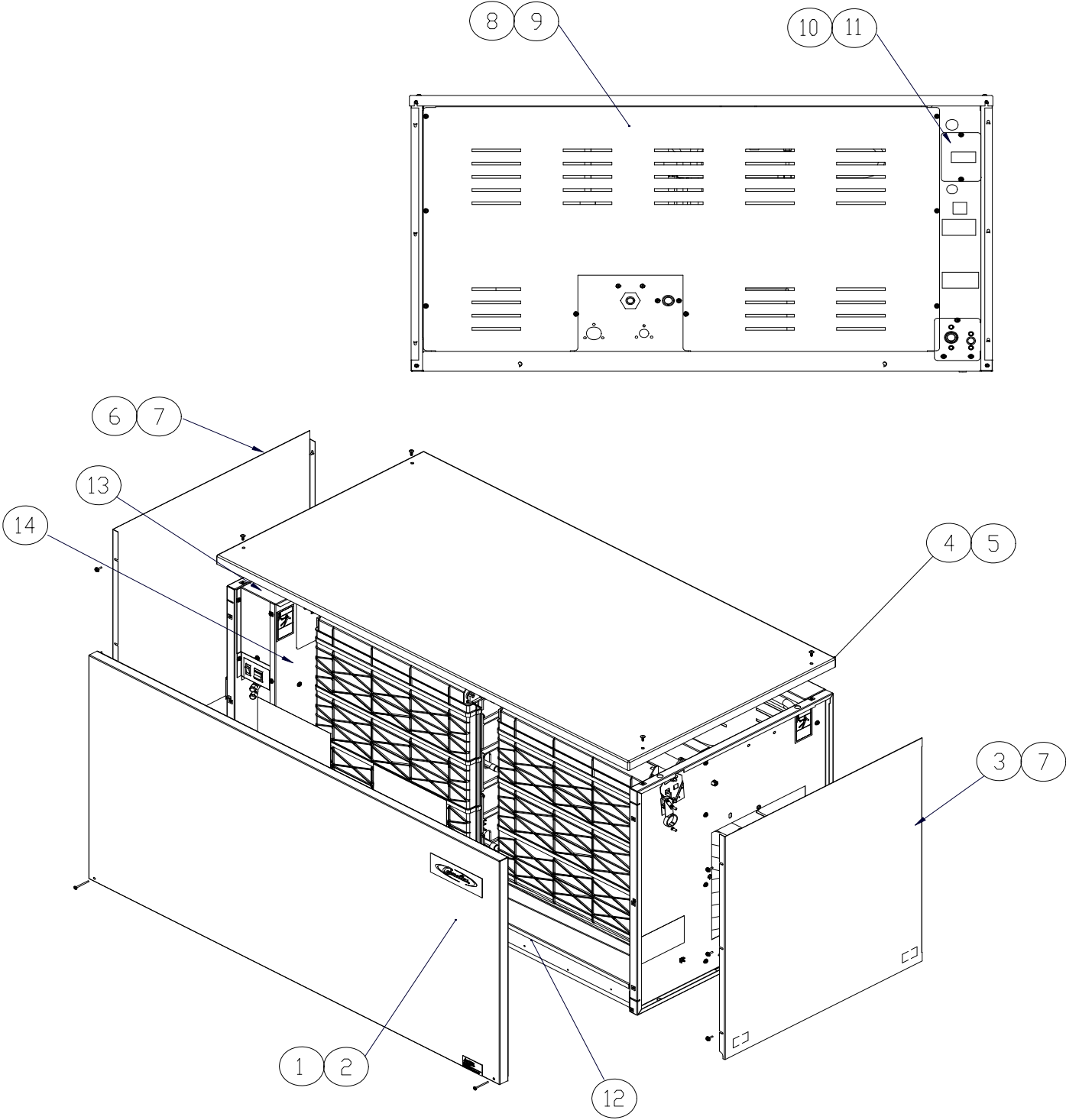
1=115/60/1

2=208-230/60/1

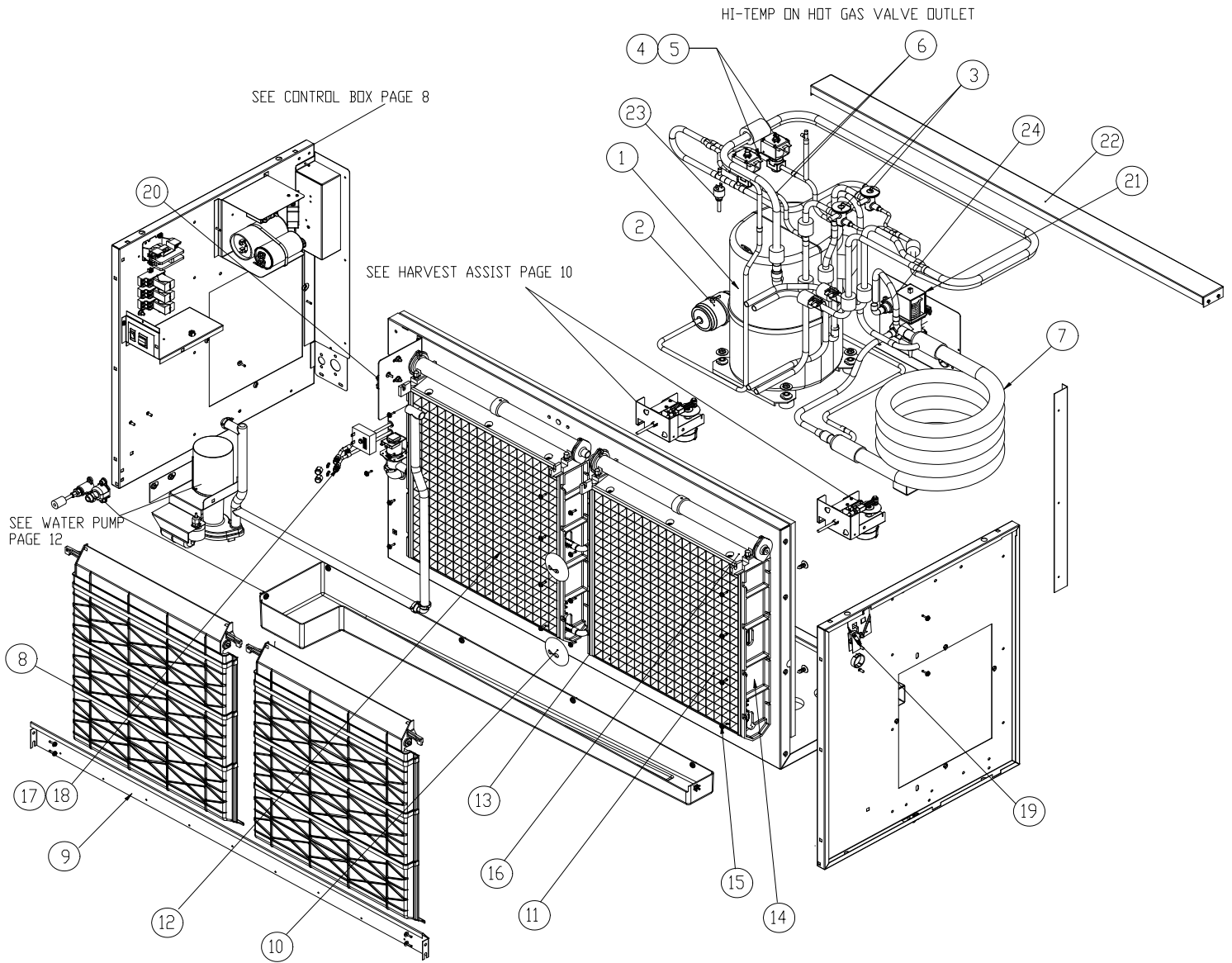
3=208-230/60/3

5=230/50/1

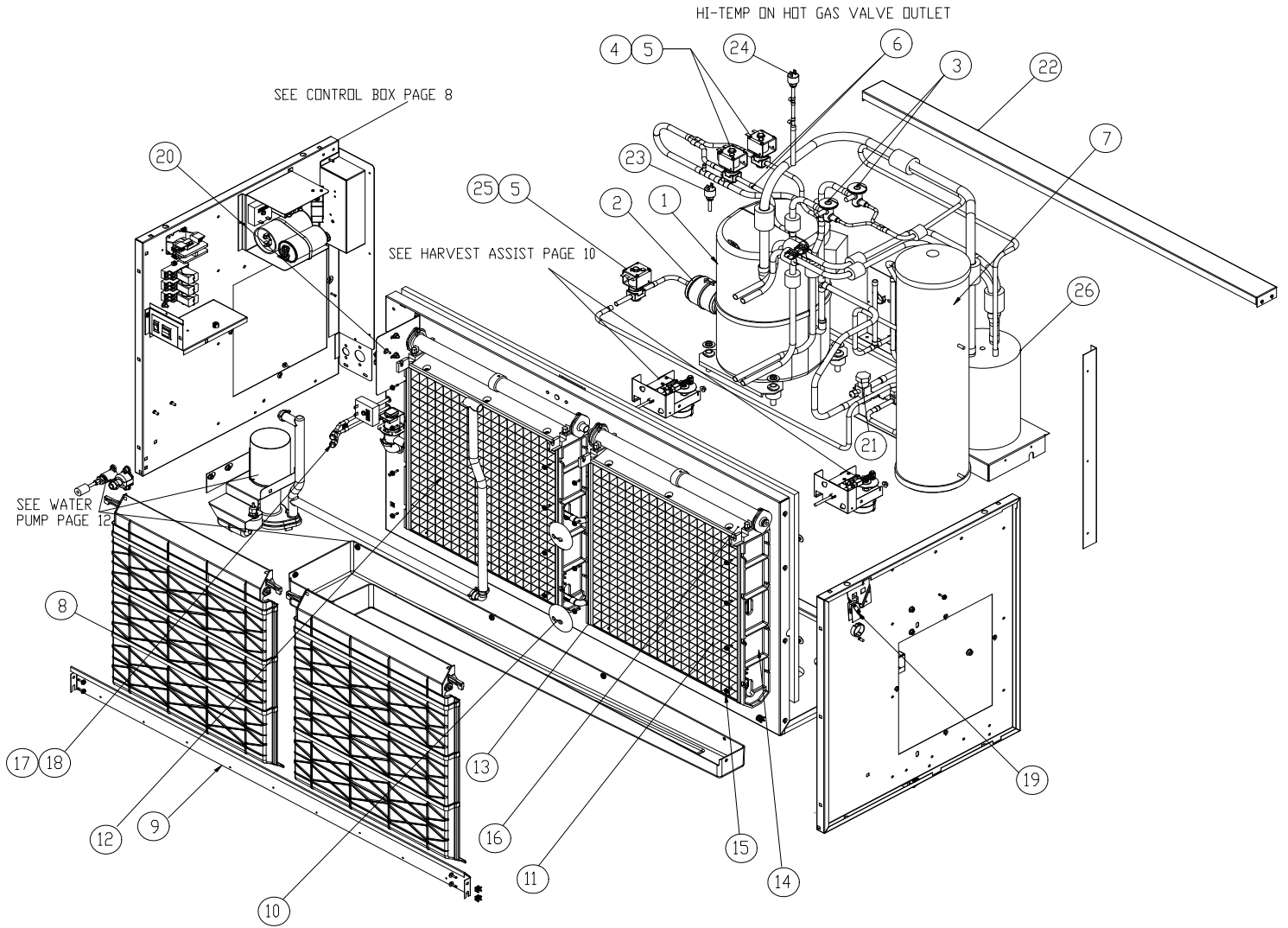
**Engineering Revision Level =1**



Item No.	Model Number				Description
	CCM1848 2	CCM1848 3	CCM2148 2	CCM2148 3	
1	620204773	620204773	620204773	620204773	Front Panel
2	620204774	620204774	620204774	620204774	Front Panel Screws
3	620204859	620204859	620204859	620204859	Right Hand Side Panel-Water Cooled and Remote Only
4	620204772	620204772	620204772	620204772	Top Panel
5	620204444	620204444	620204444	620204444	Top Panel Screws
6	620204858	620204858	620204858	620204858	Left Hand Side Panel-Water Cooled and Remote Only
7	620204442	620204442	620204442	620204442	Side Panel Screw
8	620204868	620204868	620204868	620204868	Rear Panel
9	620204441	620204441	620204441	620204441	Rear Cover Panel Screws
10	620204864	620204864	620204864	620204864	Junction Box Cover
11	620204441	620204441	620204441	620204441	Junction Box Cover Screws
12	620204866	620204866	620204866	620204866	Ice Deflector
13	620204893	620204893	620204893	620204893	Control Box Top Cover
14	620204863	620204863	620204863	620204863	Control Box Side Cover

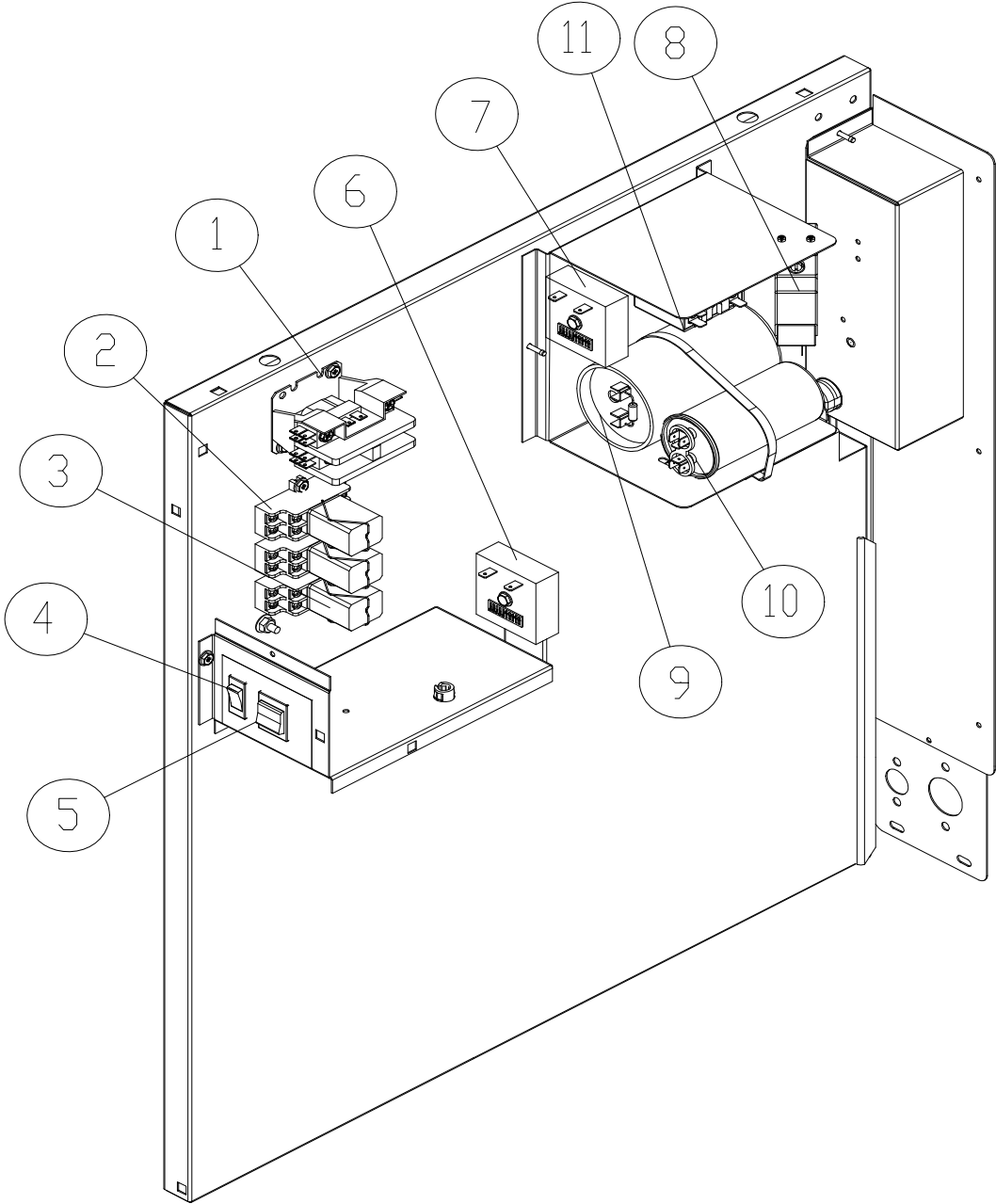


Item No.	Model Number				Description
	CCM1848 2	CCM1848 3	CCM2148 2	CCM2148 3	
1	620204690	620204691	620204878	620204879	Compressor
2	620204602	620204602	620204602	620204602	Filter Drier
3	620204880	620204880	620204880	620204880	Expansion Valve
4	620204612	620204612	620204612	620204612	Hot Gas Valve Body
5	620204614	620204614	620204614	620204614	Hot Gas Valve Coil
6	620204480	620204480	620204480	620204480	High Temperature Safety Control
7	620204597	620204597	620204597	620204597	Water Condenser
8	620204816	620204816	620204816	620204816	Evaporator Splash Curtain
9	620204866	620204866	620204866	620204866	Ice Deflector
10	620204499	620204499	620204499	620204499	Washer Tube
11	620204873	620204873	620204873	620204873	Evaporator <b>Right Side Full Cube</b>
11	620204874	620204874	620204874	620204874	Evaporator <b>Right Side Half Cube</b>
12	620204874	620204874	620204874	620204874	Evapoartor <b>Left Side Full Cube</b>
12	620204875	620204875	620204875	620204875	Evapoartor <b>Left Side Half Cube</b>
13	620204495	620204495	620204495	620204495	Evaporator Left Side Mounting Panel
14	620204494	620204494	620204494	620204494	Evaporator Right Side Mounting Panel
15	620204486	620204486	620204486	620204486	Water return
16	620204709	620204709	620204709	620204709	Spillway
17	620204534	620204534	620204534	620204534	Valve Core
18	620204535	620204535	620204535	620204535	Valve Cap
19	620204552	620204552	620204552	620204552	Bin Switch <b>Right Side (Cut Arm)</b>
20	620204552	620204552	620204552	620204552	Bin Switch <b>Left Side (Cut Arm)</b>
21	620204464	620204464	620204464	620204464	Water Regulating Valve
22	620204867	620204867	620204867	620204867	Rear Brace
23	620204474	620204474	620204474	620204474	High Pressure Control
24	620204529	620204529	620204529	620204529	Condenser Drain Fitting



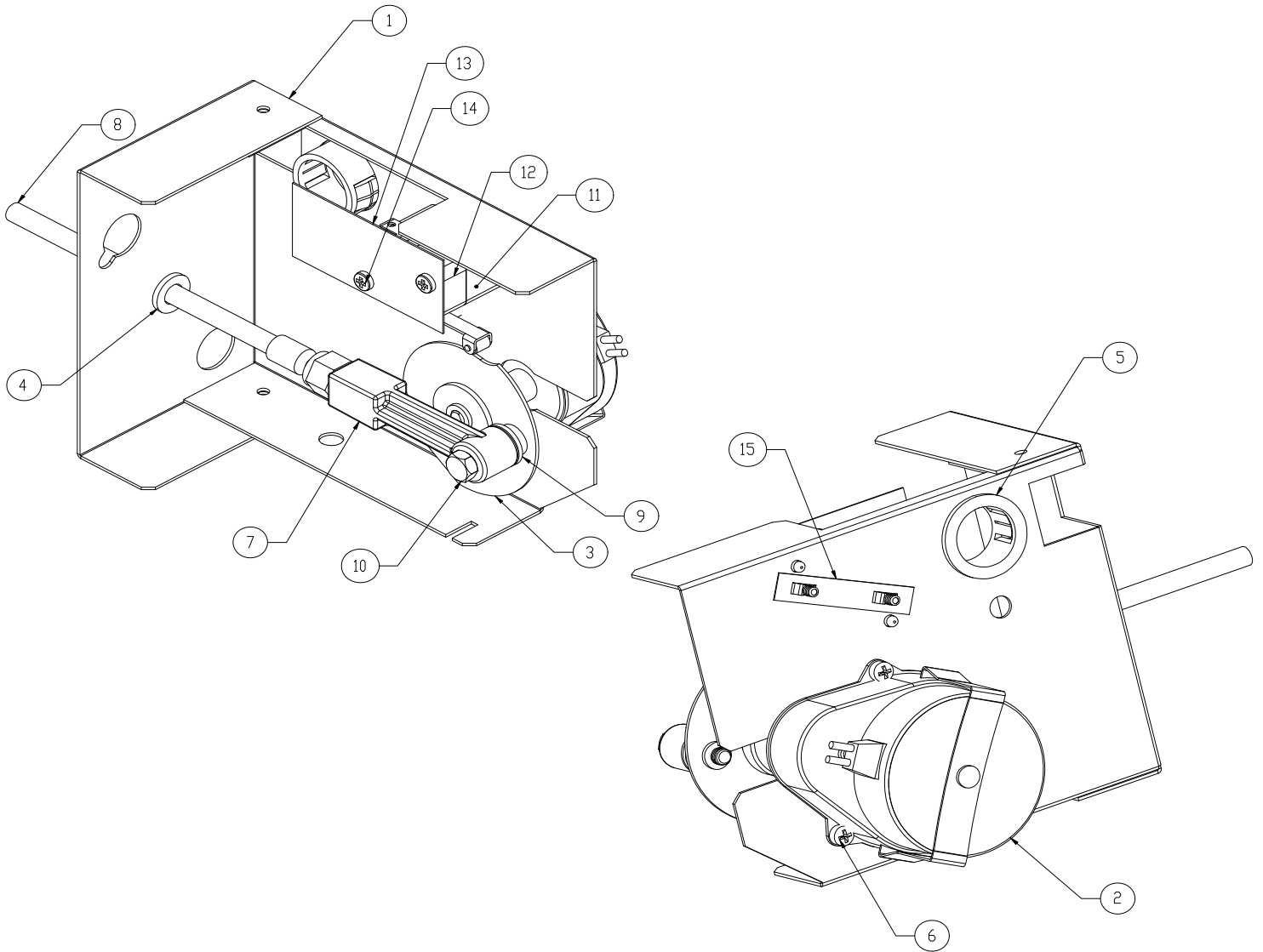


Item No.	Model Number				Description
	CCM1848 2	CCM1848 3	CCM2148 2	CCM2148 3	
1	620204690	620204691	620204878	620204879	Compressor
2	620204602	620204602	620204602	620204602	Filter Drier
3	620204880	620204880	620204880	620204880	Expansion Valve
4	620204612	620204612	620204612	620204612	Hot Gas Valve Body
5	620204614	620204614	620204614	620204614	Hot Gas Valve Coil
6	620204480	620204480	620204480	620204480	High Temperature Safety Control
7	620204609	620204609	620204609	620204609	Receiver
8	620204493	620204493	620204493	620204493	Evaporator Splash Curtain
9	620204866	620204866	620204866	620204866	Ice Deflector
10	620204499	620204499	620204499	620204499	Washer Tube
11	620204873	620204873	620204873	620204873	Evaporator <b>Right Side Full Cube</b>
11	620204874	620204874	620204874	620204874	Evaporator <b>Right Side Half Cube</b>
12	620204874	620204874	620204874	620204874	Evapoartor <b>Left Side Full Cube</b>
12	620204875	620204875	620204875	620204875	Evapoartor <b>Left Side Half Cube</b>
13	620204495	620204495	620204495	620204495	Evaporator Left Side Mounting Panel
14	620204494	620204494	620204494	620204494	Evaporator Right Side Mounting Panel
15	620204486	620204486	620204486	620204486	Water return
16	620204709	620204709	620204709	620204709	Spillway
17	620204534	620204534	620204534	620204534	Valve Core
18	620204535	620204535	620204535	620204535	Valve Cap
19	620204552	620204552	620204552	620204552	Bin Switch <b>Right Side (Cut Arm)</b>
20	620204552	620204552	620204552	620204552	Bin Switch <b>Left Side (Cut Arm)</b>
21	620204855	620204855	620204855	620204855	Remote Shut-Off Valve (Large)
	620204856	620204856	620204856	620204856	Remote Shut-Off Valve (Small)
22	620204867	620204867	620204867	620204867	Rear Brace
23	620204474	620204474	620204474	620204474	High Pressure Control
24	620204475	620204475	620204475	620204475	Pump Down Control
25	620204612	620204612	620204612	620204612	Liquid Line Solenoid
26	620204891	620204891	620204891	620204891	Accumulator Assembly
	620204527	620204527	620204527	620204527	1/2 Inch Coupling (Not Shown)
	620204526	620204526	620204526	620204526	3/8 Inch Coupling (Not Shown)
	620204623	620204623	620204623	620204623	Check Valve (Not Shown)

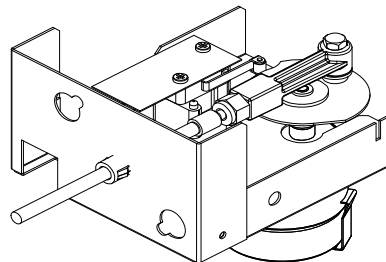
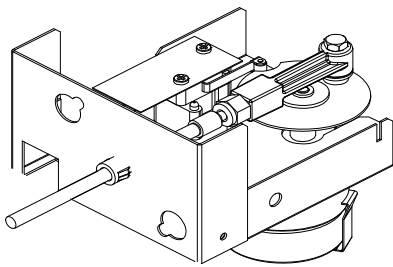


Item No.	Model Number				Description
	CCM1848 2	CCM1848 3	CCM2148 2	CCM2148 3	
1	620204545	620204782	620204545	620204782	Contactora
2	620204548	620204548	620204548	620204548	Relay Base
3	620204551	620204551	620204551	620204551	Relay
4	620204553	620204553	620204553	620204553	Purge Switch
5	620204557	620204557	620204557	620204557	ICE-OFF-WASH Switch
6	620204556	620204556	620204556	620204556	Timer
7	620204556	620204556	620204556	620204556	Timer (6 Minute-Remote only)
8	620204476	620204476	620204476	620204476	Low Pressure Control (Timer Initiate)
9	620204652	N/A	620204652	N/A	Start Capacitor
10	620204674	N/A	620204671	N/A	Run Capacitor
11	620204676	N/A	620204677	N/A	Compressor Relay

CCM1848 2	CCM1848 3	CCM2148 2	CCM2148 3	
620204690	620204691	620204878	620204879	Compressor Kit
620204652	N/A	620204652	N/A	Start Capacitor
620204674	N/A	620204671	N/A	Run Capacitor
620204676	N/A	620204677	N/A	Relay

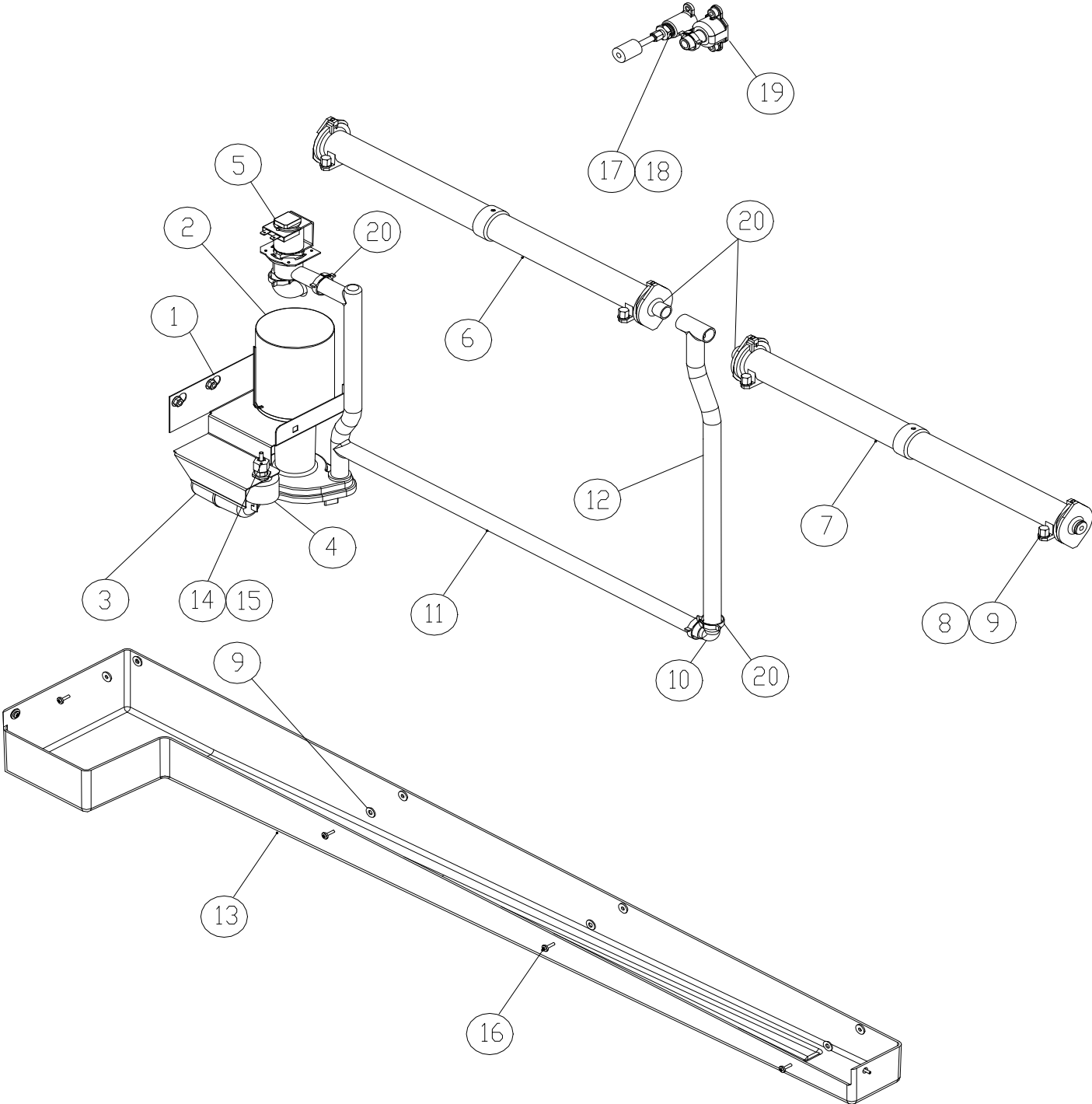


LEFT SIDE HARVIST ASSIST (SECONDARY)

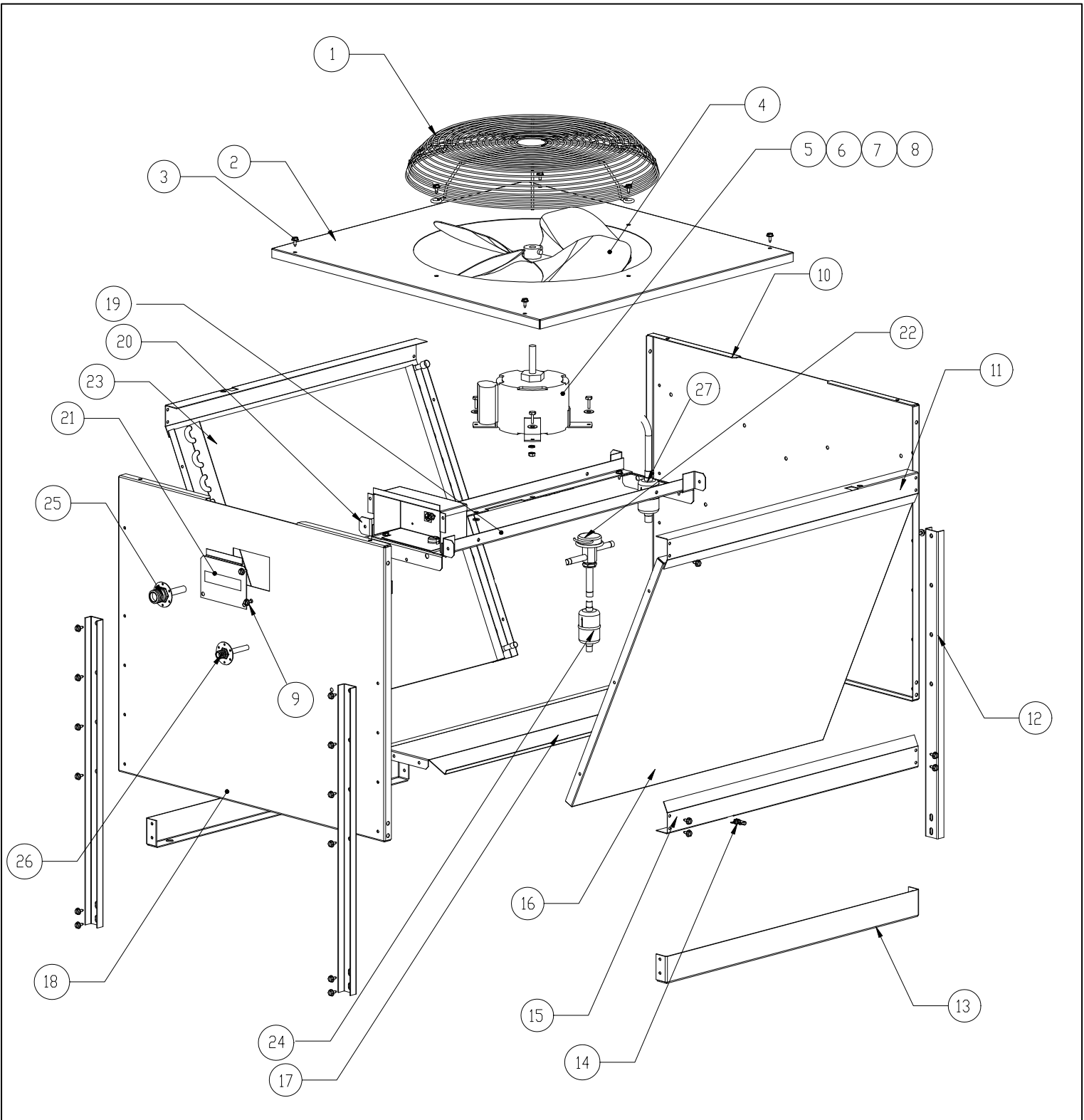


RIGHT SIDE HARVEST ASSIST (PRIMARY)

Item No.	Model Number				Description
	CCM1848 2	CCM1848 3	CCM2148 2	CCM2148 3	
1	620204366	620204366	620204366	620204366	Bracket, Probe Motor
2	620204631	620204631	620204631	620204631	Gear Motor
3	620204569	620204569	620204569	620204569	Clutch Assembly 160 Degree Cam, <b>Right Side</b>
	620204571	620204571	620204571	620204571	Clutch Assembly .312R Cam, <b>Left Side</b>
4	620204483	620204483	620204483	620204483	Snap Bushing
5	620204481	620204481	620204481	620204481	Snap Bushing
6	620204439	620204439	620204439	620204439	#6-32 x 1/2 Fillister Head Screw
7	620204484	620204484	620204484	620204484	Connecting Rod
8	620204424	620204424	620204424	620204424	Probe, Single Length
9	620204427	620204427	620204427	620204427	Plain Flat Washer
10	620204451	620204451	620204451	620204451	Shoulder Screw
11	620204516	620204516	620204516	620204516	Spacer, Cam Switch
12	620204556	620204556	620204556	620204556	Cam Switch
13	620204407	620204407	620204407	620204407	Insulator, Switch
14	620204434	620204434	620204434	620204434	Pan Head Machine Screw
15	620204452	620204452	620204452	620204452	Speed Nut Plate
14	620204312	620204312	620204312	620204312	Complete Assembly-Primary- <b>Right Side</b>
15	620204313	620204313	620204313	620204313	Complete Assembly-Secondary- <b>Left Side</b>



Item No.	Model Number				Description
	CCM1848 2	CCM1848 3	CCM2148 2	CCM2148 3	
1	620204865	620204865	620204865	620204865	Water Pump Bracket
2	620204639	620204639	620204639	620204639	Water Pump
3	620204565	620204565	620204565	620204565	Float
4	620204563	620204563	620204563	620204563	Float Deflector
5	620204467	620204467	620204467	620204467	Purge Valve
6	620204295	620204295	620204295	620204295	Water Distribution Tube Left
7	620204294	620204294	620204294	620204294	Water Distribution Tube Right
8	620204453	620204453	620204453	620204453	Thumb Screw
9	620204429	620204429	620204429	620204429	Washer
10	620204835	620204835	620204835	620204835	Elbow
11	620204832	620204832	620204832	620204832	Water Pump Tube (Water Pump/Purge Valve)
12	620204877	620204877	620204877	620204877	Water Pump Tube (Water Distribution Tube)
13	620204833	620204833	620204833	620204833	Water Trough
14	620204892	620204892	620204892	620204892	Water Inlet Tubing (34.00 inches long)
15	620204532	620204532	620204532	620204532	Sleeve
	620204531	620204531	620204531	620204531	Barrel Fitting
16	620204443	620204443	620204443	620204443	Water Trough Screw
17	620204530	620204530	620204530	620204530	Drop Adapter
18	620204533	620204533	620204533	620204533	Water Inlet Fitting
19	620204813	620204813	620204813	620204813	Drain Fitting
20	620204420	620204420	620204420	620204420	Clamp





CCM0530	CCM0630	CCM0830 CCM1030	CCM1448R1 CCM1530R1	CCM1848R1 CCM2148R1
---------	---------	--------------------	------------------------	------------------------

Item	RC05001	RC06002	RC08002	RC14002C	RC21002C	Description
1	620204581	620204581	620204581	620204581	620204843	Fan Guard
2	620204369	620204369	620204369	620204369	620204838	Top Panel
3	620204436	620204436	620204436	620204436	620204436	¼-20 x 1/2 Screw
4	620204580	620204580	620204580	620204580	620204844	Fan Blade
5	620204647	620204646	620204646	620204646	620204846	Fan Motor
6	620204425	620204425	620204425	620204425	620204425	¼-20 x ¾ Cap Screw
7	620204426	620204426	620204426	620204426	620204426	Flat Washer
8	620204448	620204448	620204448	620204448	620204448	Flanged Lock Nut
9	620204436	620204436	620204436	620204436	620204436	¼-20 x 1/2 Screw
10	620204371	620204371	620204371	620204371	620204371	Rear Panel
11	620204373	620204373	620204373	620204373	620204840	Brace
12	620204374	620204374	620204374	620204374	620204374	Leg
13	620204375	620204375	620204375	620204375	620204841	Leg Brace
14	N/A	N/A	N/A	N/A	N/A	T-Nut-Shipping Only
15	620204373	620204373	620204373	620204373	620204840	Brace
16	620204377	620204377	N/A	N/A	N/A	Cover Panel
17	602204372	602204372	602204372	602204372	620204839	Center Panel
18	620204370	620204370	620204370	620204370	620204370	Front Panel
19	620204379	620204379	620204379	620204379	620204842	Motor Brace
20	620204378	620204378	620204378	620204378	620204378	Motor Brace Support
21	620204376	620204376	620204376	620204376	620204376	Junction Box Cover
22	620204625	620204625	620204625	620204625	620204625	Mixing Valve
23	620204600	620204600	620204600	620204837	620204845	Condenser
24	620204626	620204626	620204626	620204626	620204626	Filter
25	620204527	620204527	620204527	620204527	620204527	1/2 Coupling
26	620204526	620204526	620204526	620204526	620204526	3/8 Coupling
27	620204627	620204627	620204627	620204627	620204627	Filter