



IMI CORNELIUS INC.  
[www.cornelius.com](http://www.cornelius.com)

---

**Nordic  
Model CCM0830 1, 1030 1  
Service Parts Manual  
(Includes 50Hz. Units)**



Publication Number: 631806064  
Revision Date: October 1, 2008  
Revision: A

Visit the IMI Cornelius web site at [www.cornelius.com](http://www.cornelius.com) for all your Literature needs.



This parts list contains the service parts available for the CCM Series icemakers listed below:

**CCM0830\*21 Air, Water and Remote**  
**CCM0830\*51 Air, Water and Remote**

**CCM1030\*21 Air, Water and Remote**  
**CCM1030\*51 Air, Water and Remote**

Check the model number on the data plate and refer to the correct listing for the specific component.

Check carefully that the correct part is identified and ordered.

Table of Contents	Page 1
Cabinet Assembly	Page 2 - 3
Evaporator/Water System	Page 4 - 5
Air Cooled	Page 6 - 7
Water Cooled	Page 8 - 9
Remote	Page 10 - 11
Control Box	Page 12 - 13
Specific Compressor Components	Page 13
Harvest Assist Assembly	Page 14 - 15
Remote Condenser	Page 16 - 17

Telephone Number  
800-238-3600 All Departments

E-Mail: [tech.service@Cornelius.com](mailto:tech.service@Cornelius.com)

Website: [www.cornelius.com](http://www.cornelius.com)

**The CCM Series Service Manual is available separately, Part Number 631806061**

Note: Model Number Suffix Indicates Machine Voltage As Follows

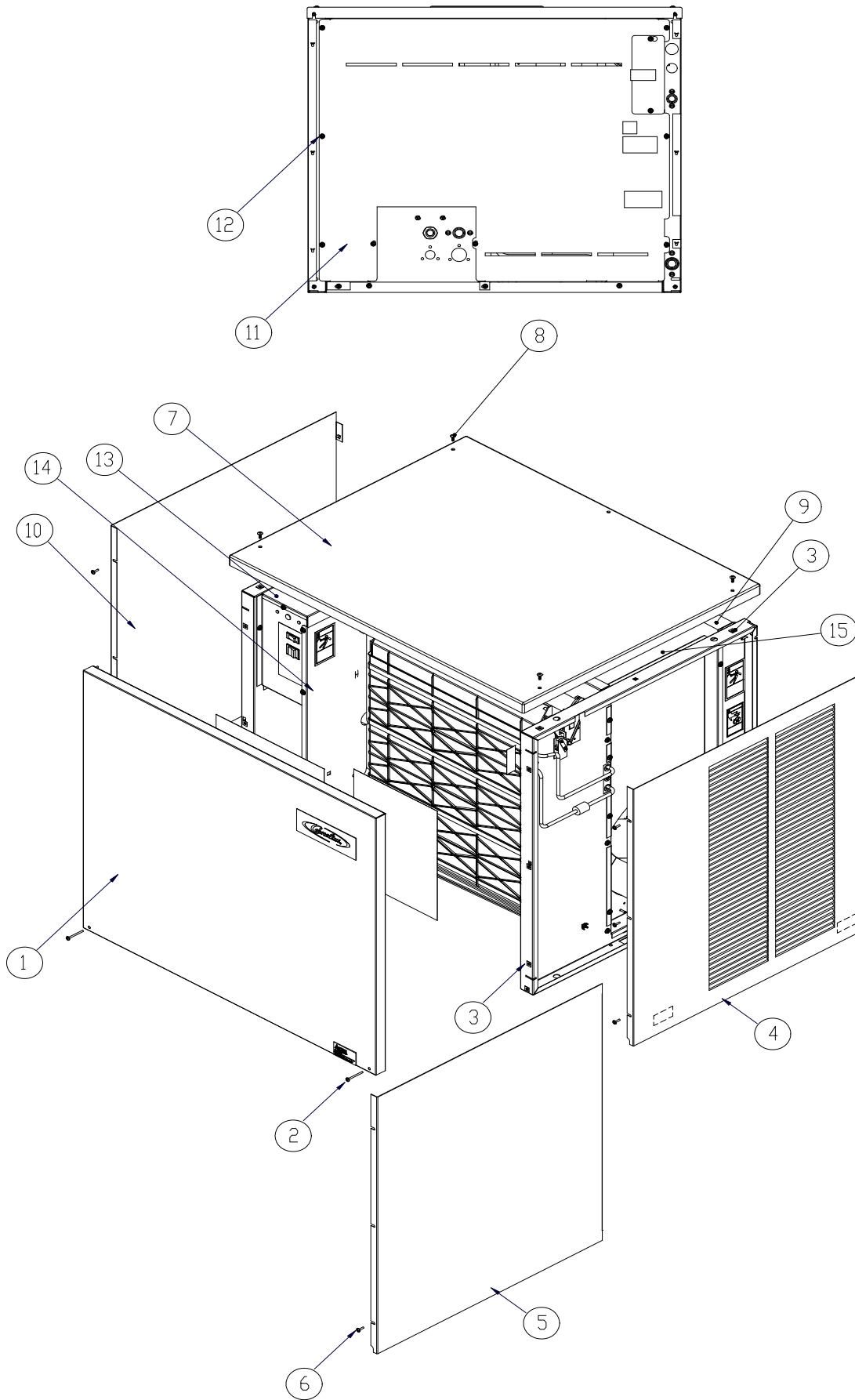
1=115/60/1

2=208-230/60/1

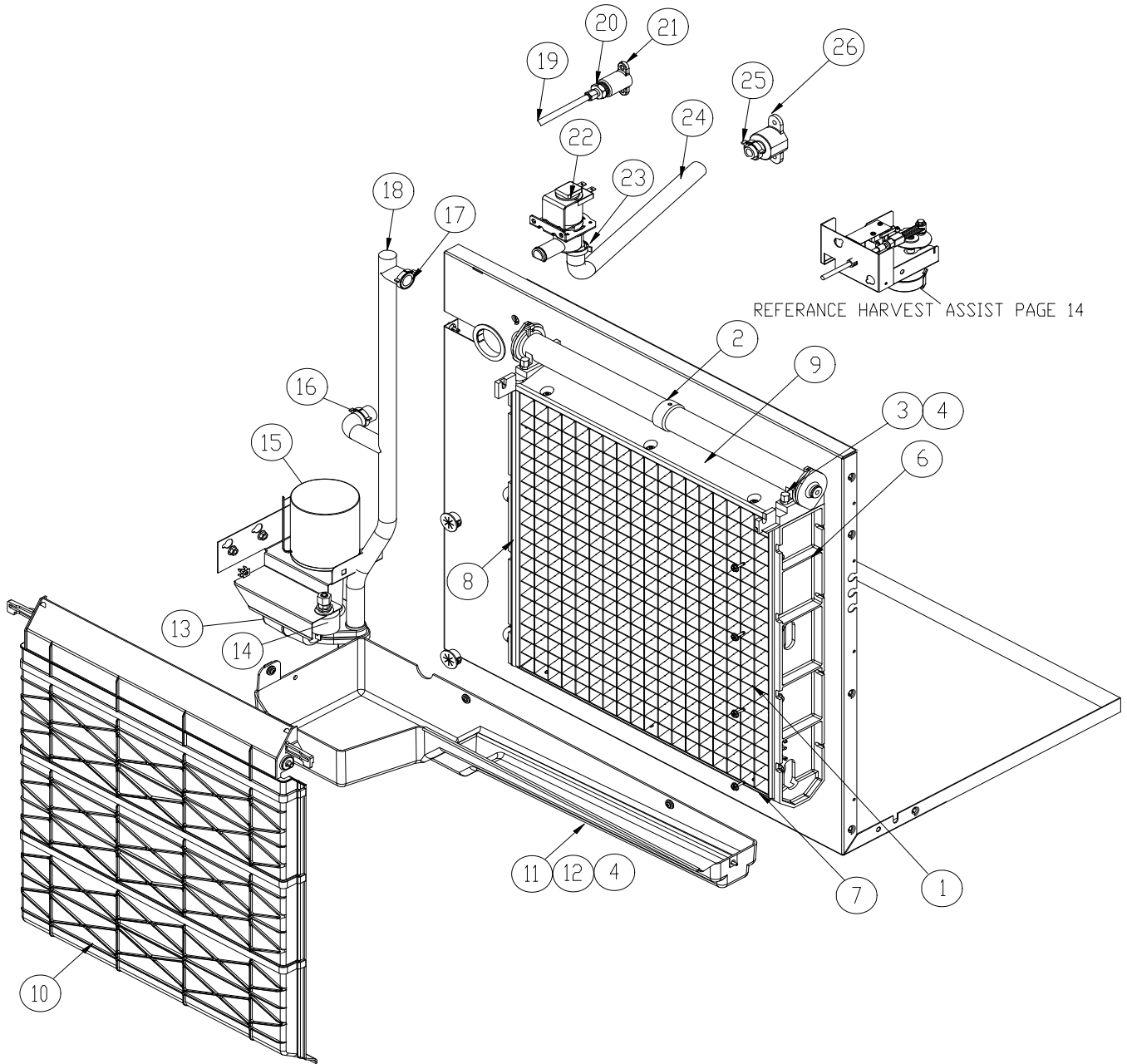
3=208-230/60/3

5=230/50/1

**Engineering Revision Level =1**



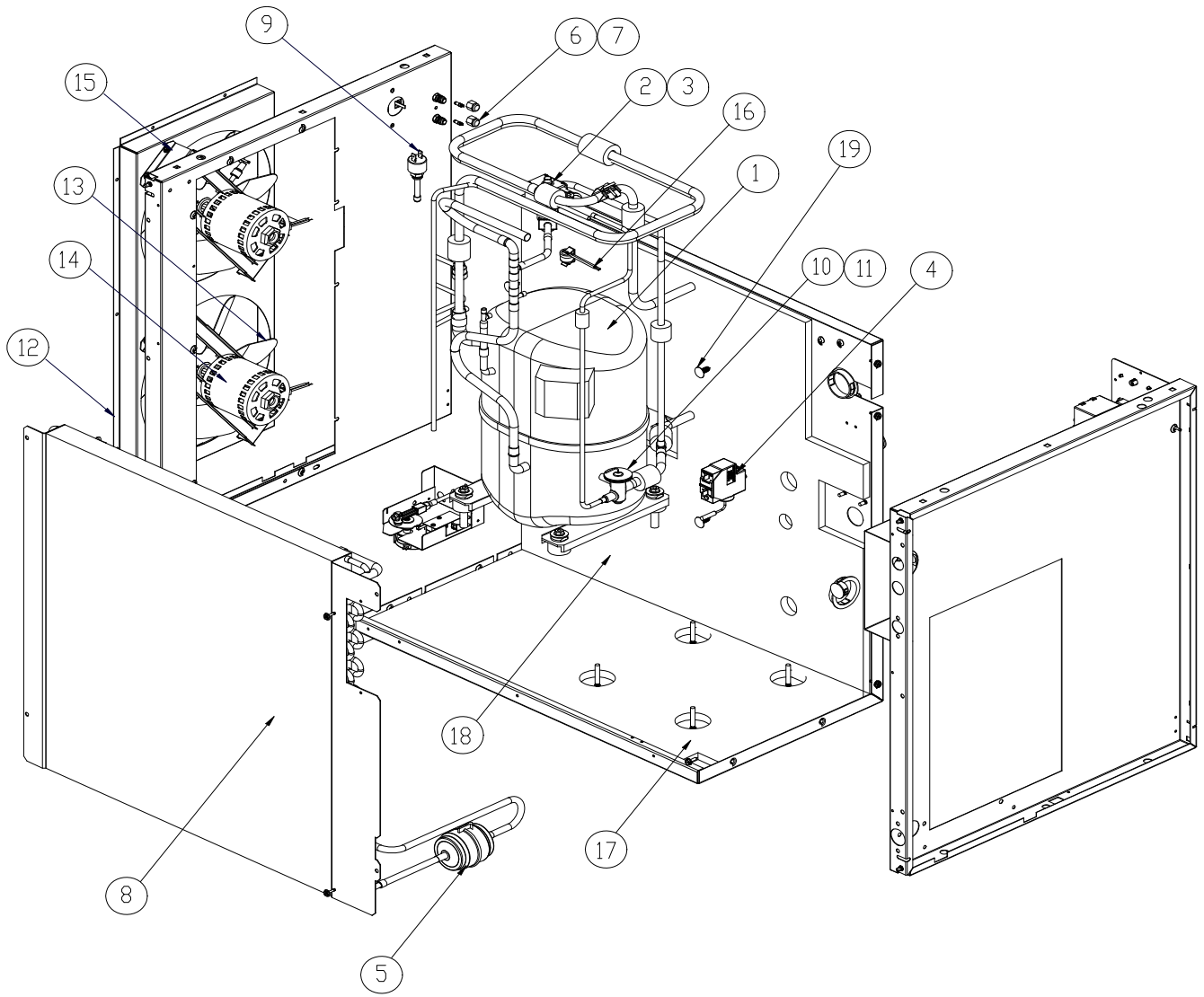
Item No.	Model Number				Description
	CCM0830 5 1	CCM0830 2 1	CCM1030 5 1	CCM1030 2 1	
1	620204811	620204811	620204811	620204811	Front Panel
2	620204774	620204774	620204774	620204774	Front Panel Screws
3	620204457	620204457	620204457	620204457	Plastic Nut
4	620204930	620204930	620204930	620204930	Right Hand Side Panel- <b>Air Cooled</b> Only
5	620204884	620204884	620204884	620204884	Right Hand Side Panel-Water and Remote Only
6	620204776	620204776	620204776	620204776	Side Panel Screws
7	620204809	620204809	620204809	620204809	Top Panel, Air Cooled
	620204810	620204810	620204810	620204810	Top Panel, Water Cooled and Remote
8	620204444	620204444	620204444	620204444	Top Panel Screws
9	620204337	620204337	620204337	620204337	Rear Brace
10	620204885	620204885	620204885	620204885	Left Hand Side Panel
11	620204382	620204382	620204382	620204382	Rear Panel
12	620204441	620204441	620204441	620204441	Rear Panel Screws
13	620204349	620204349	620204349	620204349	Control Box Top Cover
14	620204347	620204347	620204347	620204347	Control Box Side Cover
15	620204929	N/A	620204929	N/A	Machine Compartment Cover



**CCM Series Service Parts**

**Evaporator/Water System**

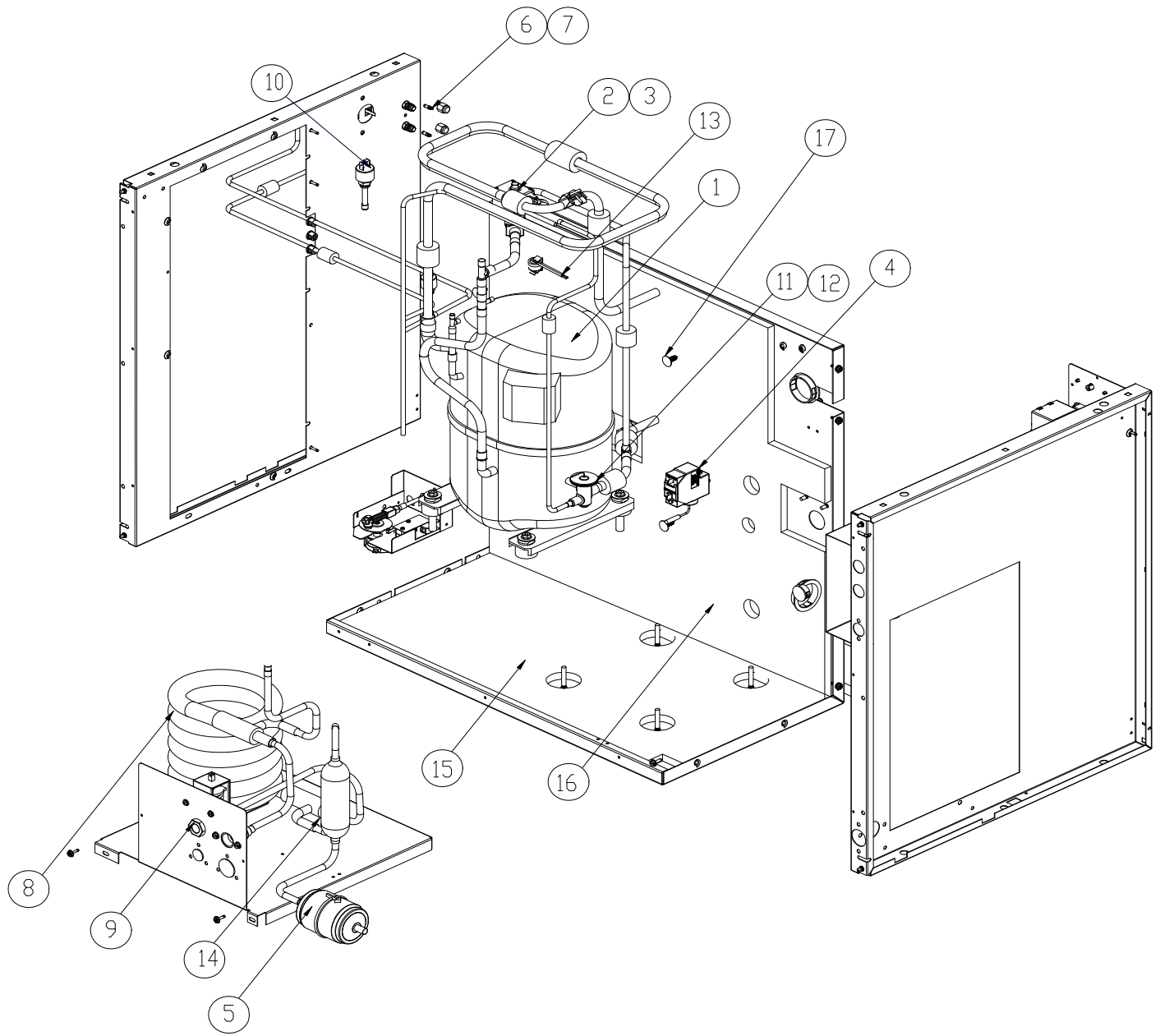
Item	Model Number				
No.	CCM0830 5 1	CCM0830 2 1	CCM1030 5 1	CCM1030 2 1	Description
1	620204873	620204873	620204873	620204873	Evaporator Full Cube
1	620204874	620204874	620204874	620204874	Evaporator Half Cube
2	620204294	620204294	620204294	620204294	Water Distribution Tube
3	620204453	620204453	620204453	620204453	Thumb Screw
4	620204429	620204429	620204429	620204429	Rubber Washer
5	N/A	N/A	N/A	N/A	Curtain Stopper
6	620204494	620204494	620204494	620204494	Evaporator Mounting Panel Right Side
7	620204486	620204486	620204486	620204486	Evaporator Water Return
8	620204495	620204495	620204495	620204495	Evaporator Mounting Panel Left Side
9	620204869	620204869	620204869	620204869	Evaporator Spillway
10	620204493	620204493	620204493	620204493	Evaporator Splash Curtain
11	620204521	620204521	620204521	620204521	Water Return Trough
12	620204443	620204443	620204443	620204443	Water Return Trough Screw
13	620204564	620204564	620204564	620204564	Float
14	620204563	620204563	620204563	620204563	Caplug (Float Deflector)
15	620204638	620204638	620204638	620204638	Water Pump
16	620204420	620204420	620204420	620204420	Clamp
17	620204420	620204420	620204420	620204420	Clamp
18	620204508	620204508	620204508	620204508	Water Pump Tube
19	620204404	620204404	620204404	620204404	Water Float Tubing (26 Inches required)
20	620204533	620204533	620204533	620204533	Water Inlet Fitting
21	620204530	620204530	620204530	620204530	Drop Adapter
22	620204466	620204466	620204466	620204466	Purge Valve
23	620204420	620204420	620204420	620204420	Clamp
24	620204928	620204928	620204928	620204928	Purge Drain Hose
25	620204419	620204419	620204419	620204419	Clamp
26	620204813	620204813	620204813	620204813	Purge Drain Fitting



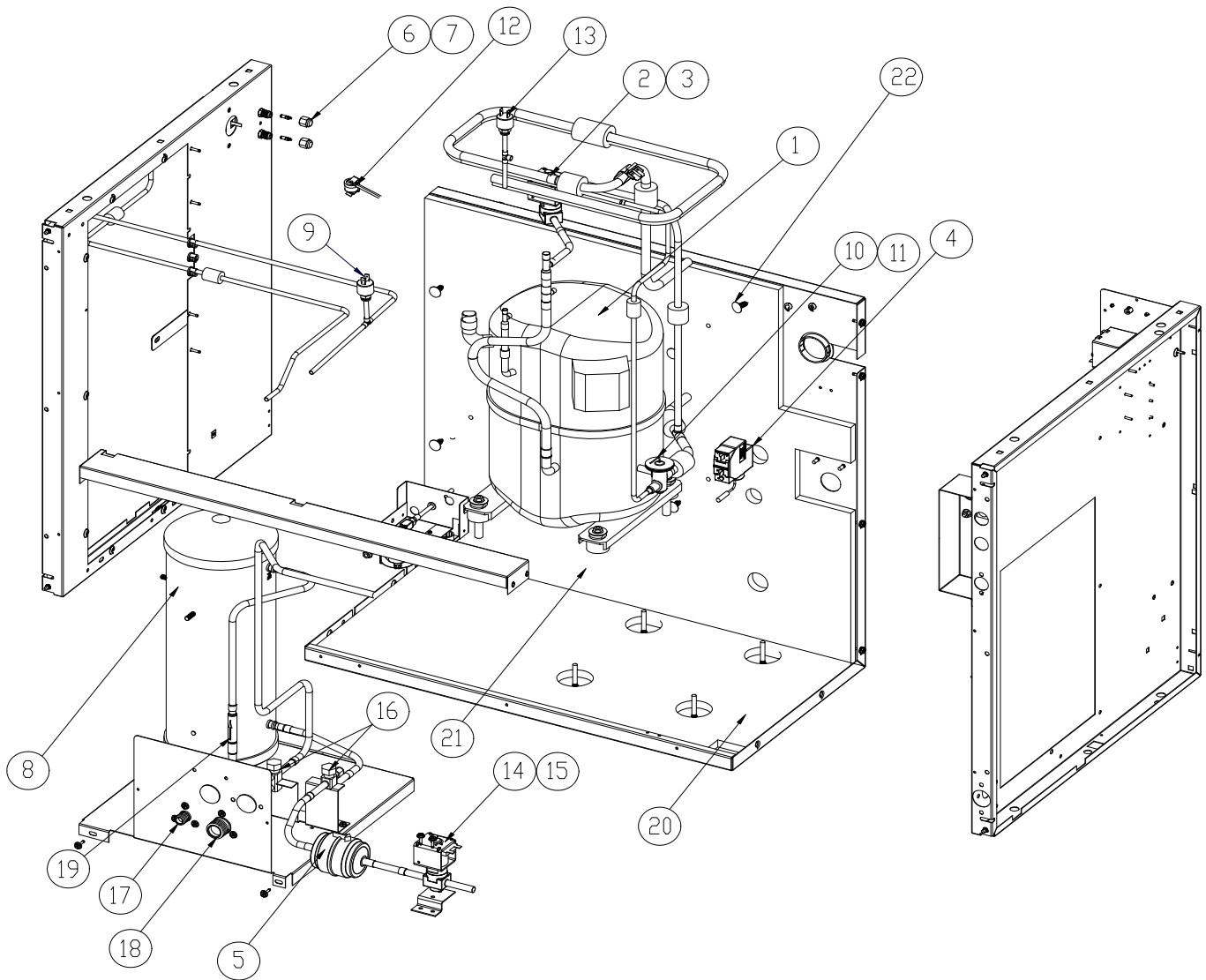


Item	Model Number				Description
	CCM0830 5 1	CCM0830 2 1	CCM1030 5 1	CCM1030 2 1	
1	620204688	620204686	620204685	620204687	Compressor Kit
2	620204612	620204612	620204612	620204612	Hot Gas Valve Body
3	620204614	620204614	620204614	620204614	Hot Gas Valve Coil
4	620204476	620204476	620204476	620204476	Low Pressure Control
5	620204603	620204603	620204603	620204603	Filter Drier
6	620204534	620204534	620204534	620204534	Service Valve Core
7	620204535	620204535	620204535	620204535	Service Valve Cap
8	620204596	620204596	620204596	620204596	Condenser
9	620204478	620204478	620204478	620204478	Fan Control
10	620204882	620204882	620204882	620204882	Expansion Valve
11	620204924	620204924	620204924	620204924	Insulation-Danfoss Expansion Valve
12	620204814	620204814	620204814	620204814	Fan Shroud
13	620204577	620204574	620204577	620204812	Fan Blade
14	620204636	620204641	620204636	620204641	Fan Motor
15	620204286	620204335	620204286	620204335	Fan Motor Bracket
16	620204480	620204480	620204480	620204480	High Temperature Safety Control
17	620204926	620204926	620204926	620204926	Insulation Panel Bottom
18	620204927	620204927	620204927	620204927	Insulation Panel Top Divider
19	620204458	620204458	620204458	620204458	Insulation Clip

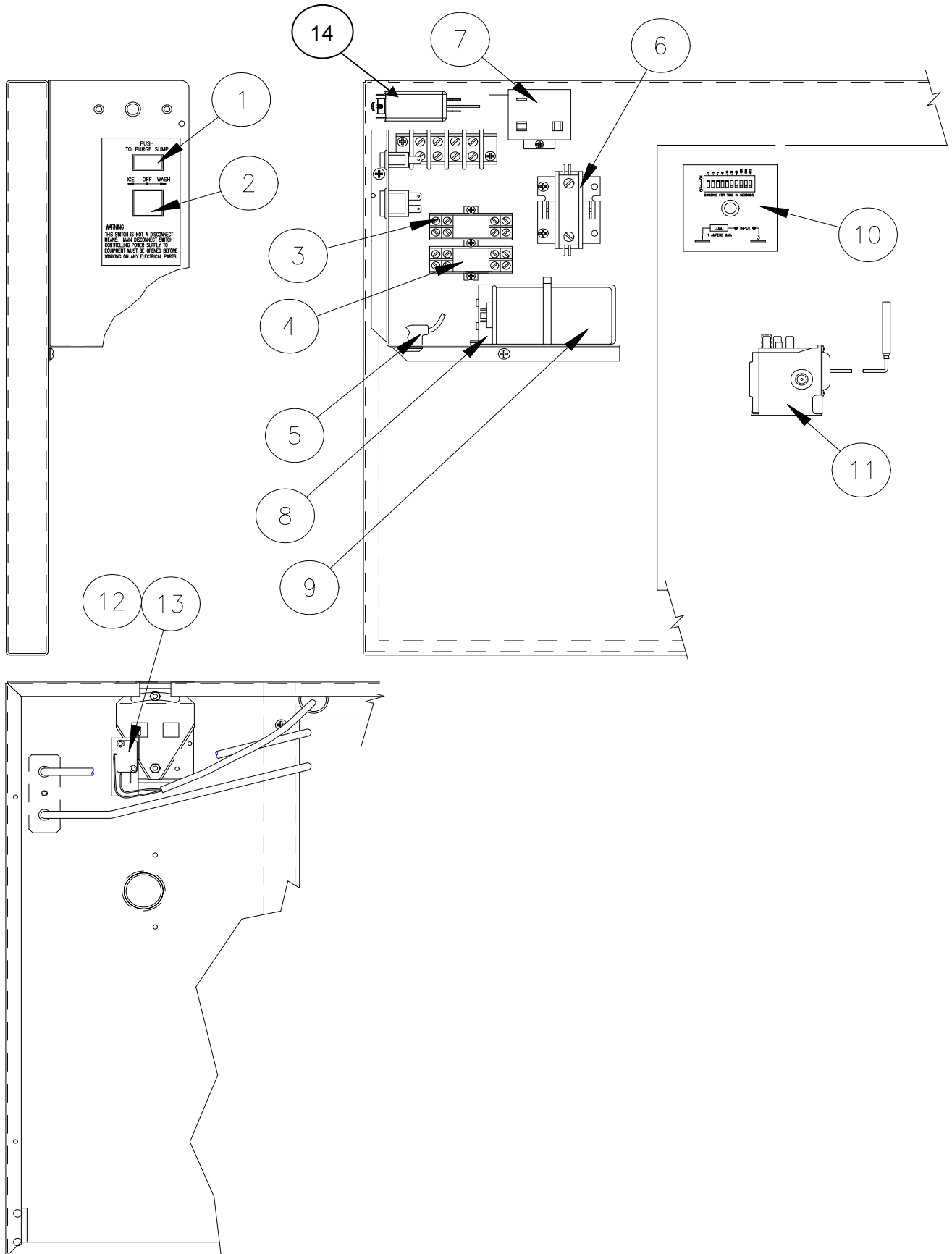
**Note:** The CCM0830 series has 1 fan motor, the CCM1030 series has 2 fan motors.



Item No.	Model Number				Description
	CCM0830 5 1	CCM0830 2 1	CCM1030 5 1	CCM1030 2 1	
1	620204688	620204686	620204685	620204687	Compressor
2	620204883	620204883	620204883	620204883	Hot Gas Valve Body
3	620204614	620204614	620204614	620204614	Hot Gas Valve Coil
4	620204476	620204476	620204476	620204476	Low Pressure Control
5	620204602	620204602	620204602	620204602	Filter Drier
6	620204534	620204534	620204534	620204534	Service Valve Core
7	620204535	620204535	620204535	620204535	Service Valve Cap
8	620204587	620204587	620204587	620204587	Condenser
9	620204465	620204465	620204465	620204465	Water Valve
10	620204474	620204474	620204474	620204474	High Pressure Control
11	620204882	620204882	620204882	620204882	Expansion Valve
12	620204924	620204924	620204924	620204924	Insulation-Danfoss Expansion Valve
13	620204480	620204480	620204480	620204480	High Temperature Safety Control
14	620204925	620204925	620204925	620204925	Receiver
15	620204926	620204926	620204926	620204926	Insulation Panel Bottom
16	620204927	620204927	620204927	620204927	Insulation Panel Top Divider
17	620204458	620204458	620204458	620204458	Insulation Clip



Item No.	Model Number				Description
	CCM0830 5 1	CCM0830 2 1	CCM1030 5 1	CCM1030 2 1	
1	620204688	620204686	620204685	620204815	Compressor
2	620204612	620204612	620204612	620204612	Hot Gas Valve Body
3	620204614	620204614	620204614	620204614	Hot Gas Valve Coil
4	620204476	620204476	620204476	620204476	Low Pressure Control
5	620204603	620204603	620204603	620204603	Filter Drier
6	620204534	620204534	620204534	620204534	Service Valve Core
7	620204535	620204535	620204535	620204535	Service Valve Cap
8	620204606	620204606	620204606	620204606	Receiver
9	620204474	620204474	620204474	620204474	High Pressure Control
10	620204882	620204882	620204882	620204882	Expansion Valve
11	620204924	620204924	620204924	620204924	Insulation Danfoss Expansion Valve
12	620204480	620204480	620204480	620204480	High Temperature Safety Control
13	620204475	620204475	620204475	620204475	Pump Down Control
14	620204612	620204612	620204612	620204612	Liquid Line Solenoid Body
15	620204614	620204614	620204614	620204614	Liquid Line Solenoid Coil
16	620204856	620204856	620204856	620204856	Valve-Shut Off
17	620204526	620204526	620204526	620204526	Remote Fitting 3/8 Male
18	620204527	620204527	620204527	620204527	Remote Fitting 1/2 Male
19	620204623	620204623	620204623	620204623	Check Valve
20	620204926	620204926	620204926	620204926	Insulation Panel Bottom
21	620204927	620204927	620204927	620204927	Insulation Panel Top Divider
22	620204458	620204458	620204458	620204458	Insulation Clip

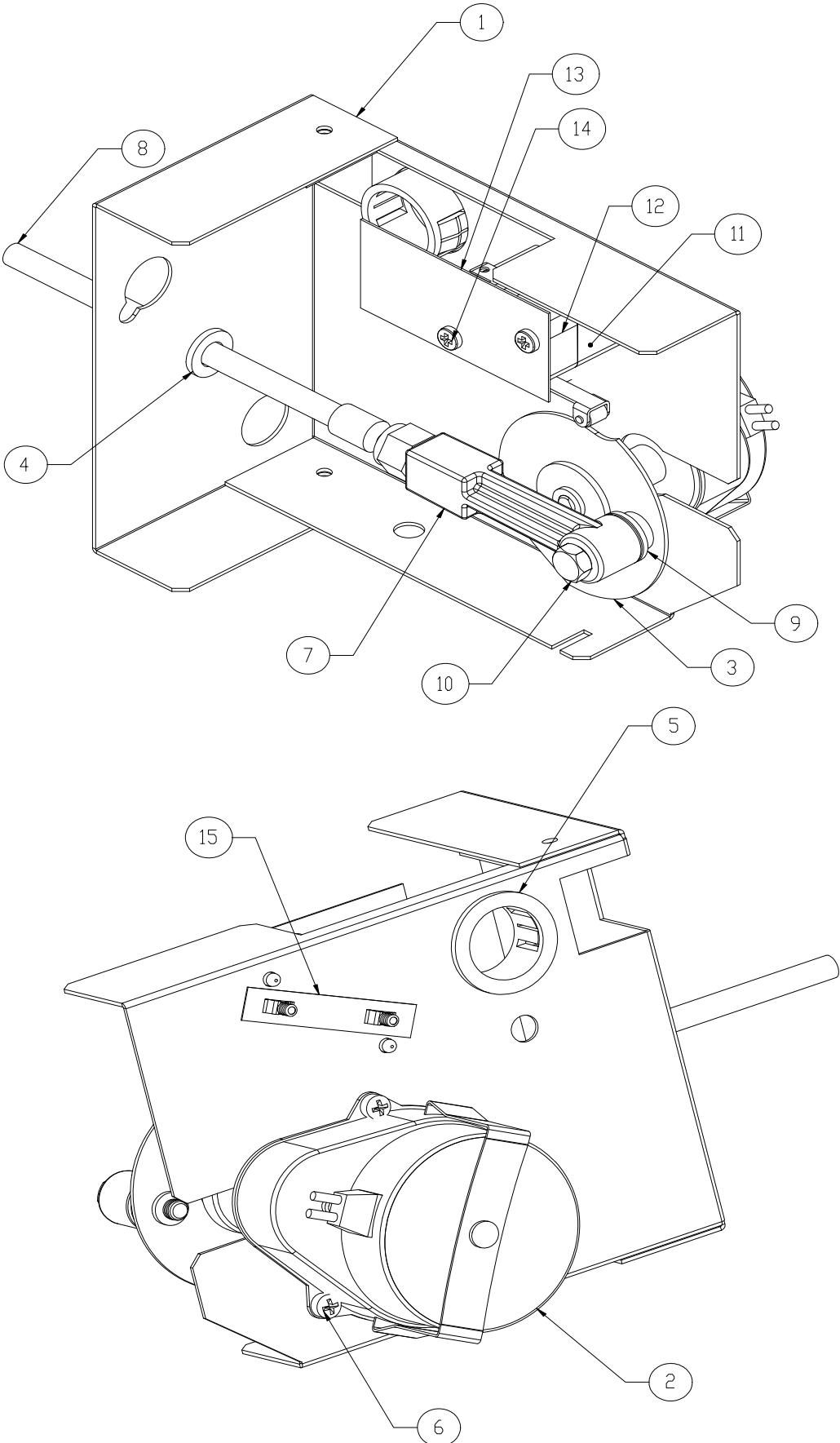


Item No.	Model Number				Description
	CCM0830 5 1	CCM0830 2 1	CCM1030 5 1	CCM1030 2 1	
1	620204553	620204553	620204553	620204553	Purge Switch
2	620204557	620204557	620204557	620204557	ON-OFF-WASH Switch
3	620204548	620204548	620204548	620204548	Relay Socket
4	620204551	620204551	620204551	620204551	Relay
5	620204559	620204559	620204559	620204559	Water Pump Cord
6	620204545	620204545	620204545	620204545	Contactora
7	See Below	See Below	See Below	See Below	Compressor Start Relay
8	See Below	See Below	See Below	See Below	Start Capacitor
9	See Below	See Below	See Below	See Below	Run Capacitor
10	620204555	620204555	620204555	620204555	Timer
11	620204476	620204476	620204476	620204476	Low Pressure Timer Initiate
12	620204310	620204310	620204310	620204310	Curtain Switch Assembly
13	620204552	620204552	620204552	620204552	Curtain Switch
14	N/A	N/A	N/A	N/A	Bin Thermostat

**Compressor Components**

Model Number		
<b>CCM0830 2 A &amp; W</b>	620204686	Compressor
	620204649	Start Capacitor
	620204672	Run Capacitor
	620204678	Relay
<b>CCM0830 2 R AND CCM1030 2 A &amp; W</b>	620204687	Compressor
	620204649	Start Capacitor
	620204672	Run Capacitor
	620204678	Relay
<b>CCM0830 5 A W &amp; R</b>	620204688	Compressor
	620204654	Start Capacitor
	620204672	Run Capacitor
	620204675	Relay
<b>CCM1030 2 R</b>	620204815	Compressor
	620204651	Start Capacitor
	620204670	Run Capacitor
	620204676	Relay
<b>CCM1030 5 A W &amp; R</b>	620204685	Compressor
	620204649	Start Capacitor
	620204670	Run Capacitor
	620204678	Relay

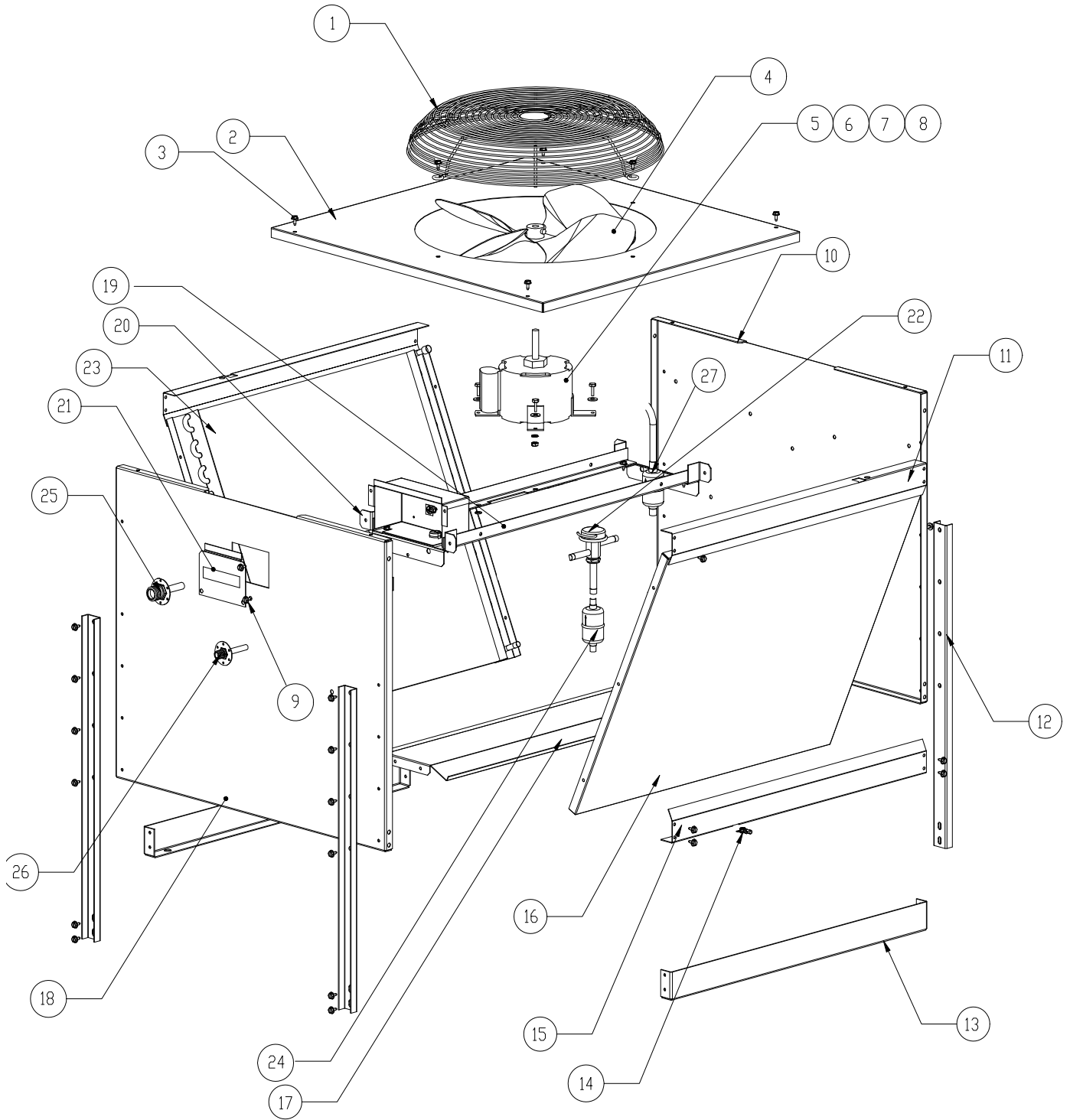
**A = Air Cooled**  
**W= Water Cooled**  
**R= Remote**





## CCM Series Service Parts

Item No.	Model Number				Description
	CCM0830 5 1	CCM0830 2 1	CCM1030 5 1	CCM1030 2 1	
1	620204366	620204366	620204366	620204366	Bracket, Probe Motor
2	620204631	620204631	620204631	620204631	Gear Motor
3	620204569	620204569	620204569	620204569	Clutch Assembly 180 Degree
4	620204483	620204483	620204483	620204483	Snap Bushing
5	620204481	620204481	620204481	620204481	Snap Bushing
6	620204439	620204439	620204439	620204439	#6-32 x 1/2 Fillister Head Screw
7	620204484	620204484	620204484	620204484	Connecting Rod
8	620204424	620204424	620204424	620204424	Probe, Single Length
9	620204427	620204427	620204427	620204427	Plain Flat Washer
10	620204451	620204451	620204451	620204451	Shoulder Screw
11	620204516	620204516	620204516	620204516	Spacer, Cam Switch
12	620204556	620204556	620204556	620204556	Cam Switch
13	620204407	620204407	620204407	620204407	Insulator, Switch
14	620204434	620204434	620204434	620204434	Pan Head Machine Screw
15	620204452	620204452	620204452	620204452	Speed Nut Plate
	620204312	620204312	620204312	620204312	Complete Assembly



<b>CCM0530R</b>	<b>CCM0630R</b>	<b>CCM0830R 1</b>	<b>CCM1448R1</b>	<b>CCM1848R1</b>
		<b>CCM1030R 1</b>	<b>CCM1530R1</b>	<b>CCM2148R1</b>

<b>Item</b>	<b>RC05001</b>	<b>RC06002</b>	<b>RC08002</b>	<b>RC14002C</b>	<b>RC21002C</b>	<b>Description</b>
1	620204581	620204581	620204581	620204581	620204843	Fan Guard
2	620204369	620204369	620204369	620204369	620204838	Top Panel
3	620204436	620204436	620204436	620204436	620204436	¼-20 x 1/2 Screw
4	620204580	620204580	620204580	620204580	620204844	Fan Blade
5	620204647	620204646	620204646	620204646	620204846	Fan Motor
6	620204425	620204425	620204425	620204425	620204425	¼-20 x ¾ Cap Screw
7	620204426	620204426	620204426	620204426	620204426	Flat Washer
8	620204448	620204448	620204448	620204448	620204448	Flanged Lock Nut
9	620204436	620204436	620204436	620204436	620204436	¼-20 x 1/2 Screw
10	620204371	620204371	620204371	620204371	620204371	Rear Panel
11	620204373	620204373	620204373	620204373	620204840	Brace
12	620204374	620204374	620204374	620204374	620204374	Leg
13	620204375	620204375	620204375	620204375	620204841	Leg Brace
14	N/A	N/A	N/A	N/A	N/A	T-Nut-Shipping Only
15	620204373	620204373	620204373	620204373	620204840	Brace
16	620204377	620204377	N/A	N/A	N/A	Cover Panel
17	602204372	602204372	602204372	602204372	620204839	Center Panel
18	620204370	620204370	620204370	620204370	620204370	Front Panel
19	620204379	620204379	620204379	620204379	620204842	Motor Brace
20	620204378	620204378	620204378	620204378	620204378	Motor Brace Support
21	620204376	620204376	620204376	620204376	620204376	Junction Box Cover
22	620204625	620204625	620204625	620204625	620204625	Mixing Valve
23	620204600	620204600	620204600	620204837	620204845	Condenser
24	620204626	620204626	620204626	620204626	620204626	Filter
25	620204527	620204527	620204527	620204527	620204527	1/2 Coupling
26	620204526	620204526	620204526	620204526	620204526	3/8 Coupling
27	620204627	620204627	620204627	620204627	620204627	Filter