



IMI CORNELIUS INC.
Telephone 1-800-238-3600
www.cornelius.com

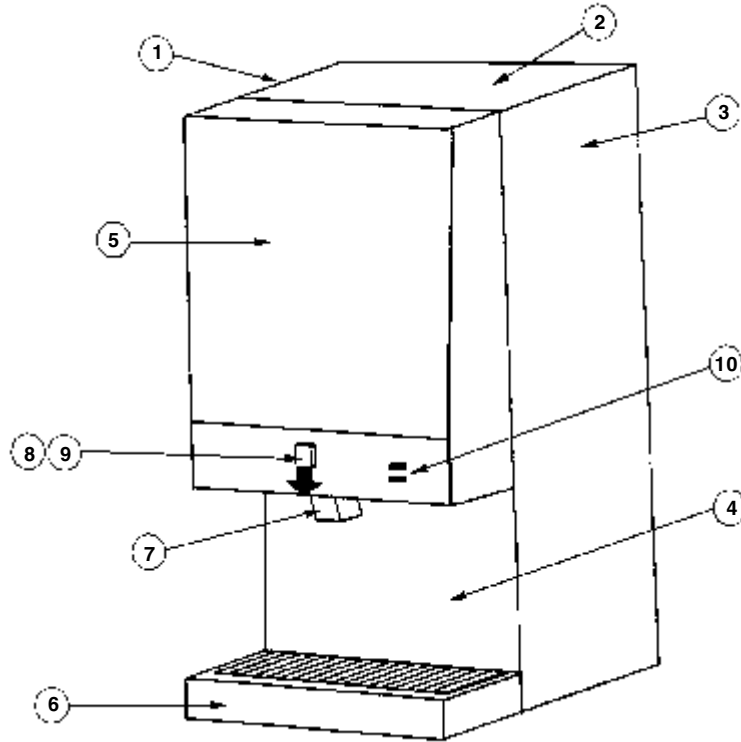
ILLUSTRATED PARTS LIST

COUNTERTOP ICEMAKER IMD SERIES





ILLUSTRATED PARTS LIST



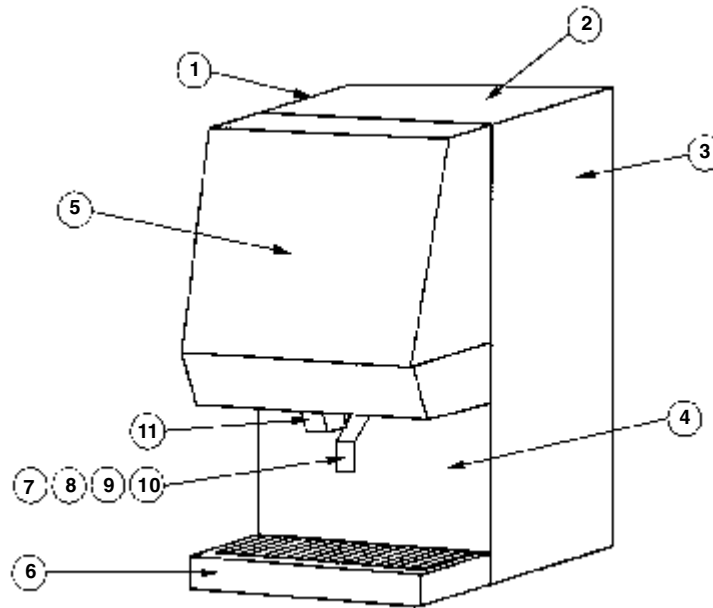
IMD 300-15 CABINET PARTS ASSEMBLY AND PARTS LIST

Item No.	Part No.	Name	Item No.	Part No.	Name
1	638032724	Panel Left Side	7	638032822	Ice Chute
2	638032731	Panel Top	8	638038588	Cover Dispense Switch, Push Button
3	638032721	Panel Right Side	9	638038589	Switch Dispense, Push Button
4	638032768-002 638032768-003	Splash Panel Asmb Push Button Splash Panel Asmb Lever	10	638032785	Switch Rocker
5	638032715-007 638832715-006	Front Panel Push Button Front Panel Lever	*	638032818	Wire Harness Front Cover
6	638032766 638032765 638032729 638032725	Drain Tray Kit (Tray, Grill & Skirt) Drain Tray Assembly Grill Drain Tray Drain Tray Skirt			

* Not Shown



ILLUSTRATED PARTS LIST



IMD 300-30 AND IMD 600-30 CABINET PARTS ASSEMBLY AND PARTS LIST

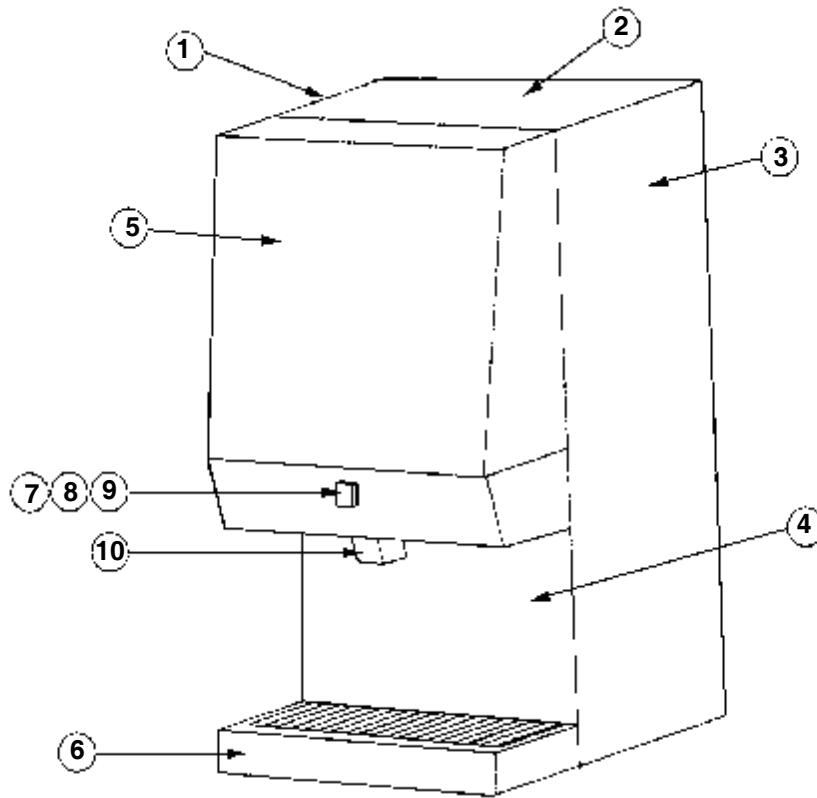
Item No.	Part No.	Name
1	638032037	Panel Left Side
2	638032038	Panel Top
3	638032036	Panel Right Side
4	638032030-002 638032145-006	Splash Panel Lever Actuated Splash Panel Push Button
5	638032025-001 638032025-002	Front Panel Lever Actuated Front Panel Push Button
6	638032050 638032043 638032044 638032041	Drain Tray Kit (Tray, Grill & Skirt) Drain Tray Assembly Grill Drain Tray Drain Tray Skirt
7	638006529	Cover Switch Lever Actuated
8	638008315	Switch Dispense Lever Actuated

Item No.	Part No.	Name
9	638031162	Boot Switch Lever Actuated
10	638009627	Plate Dispense Lever Actuated
*	638032049	Label "Push & Hold for Ice"
*	638038589	Switch Dispense, Push Button
*	638011601	Wire Asm. Switch Dispense (Push Button Actuated)
*	638038588	Cover Dispense Switch, Push Button
*	638011643	Cable Asm. Lever Actuated
11	638032039	Ice Chute

* Not Shown



ILLUSTRATED PARTS LIST

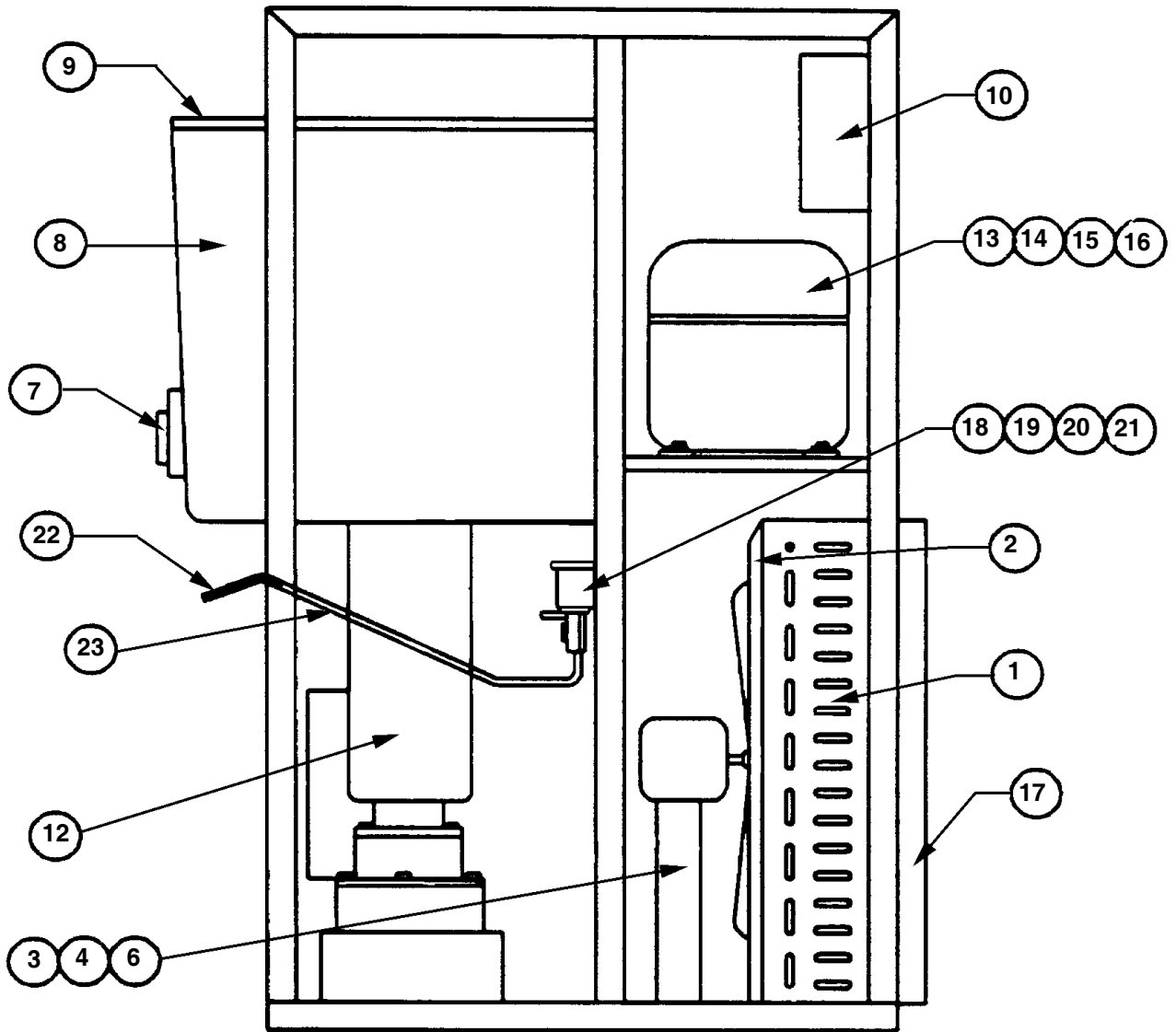


IMD 600-90 CABINET PARTS ASSEMBLY AND PARTS LIST

Item No.	Part No.	Name	Item No.	Part No.	Name
1	638032539	Panel Left Side	7	638038588	Cover Dispense Switch Push Button
2	638032537	Panel Top	*	638006529	Cover Switch, Lever Actuated
3	638032538	Panel Right Side	8	638038589	Switch Dispense Push Button
4	638032040-006	Panel Splash Asm. - Push Button		638011601	Wire Asm Dispense Push Button
			9	638008315	Switch Dispense Lever Actuated
				638011643	Cable Asm Lever Actuated
				638031162	Boot Switch, Lever Actuated
				638009627	Plate Dispense, Lever Actuated
*	638032541-001	Panel Splash Asm. Lever Actuated	10	638032287	Ice Chute
5	638032536-002	Front Cover, Push Button	*		
*	638032536-001	Front Panel Lever Actuated	*		
6	638032548	Drain Tray Kit (Tray, Grill & Skirt)			
	638059270	Drain Tray Assembly			
	638058805	Grill Drain Tray			
	638032531	Drain Tray Skirt			
	638033508	Drain Tray, 8 Valve Drink Front			
	638033509	Grill Drain Tray, 8 Valve Drink Front			
	638032531-001	Drain Tray Skirt, 8 Valve Drink Front			

* Not Shown

ILLUSTRATED PARTS LIST



REFRIGERATION AND FRAME ASSEMBLY IMD 300-15



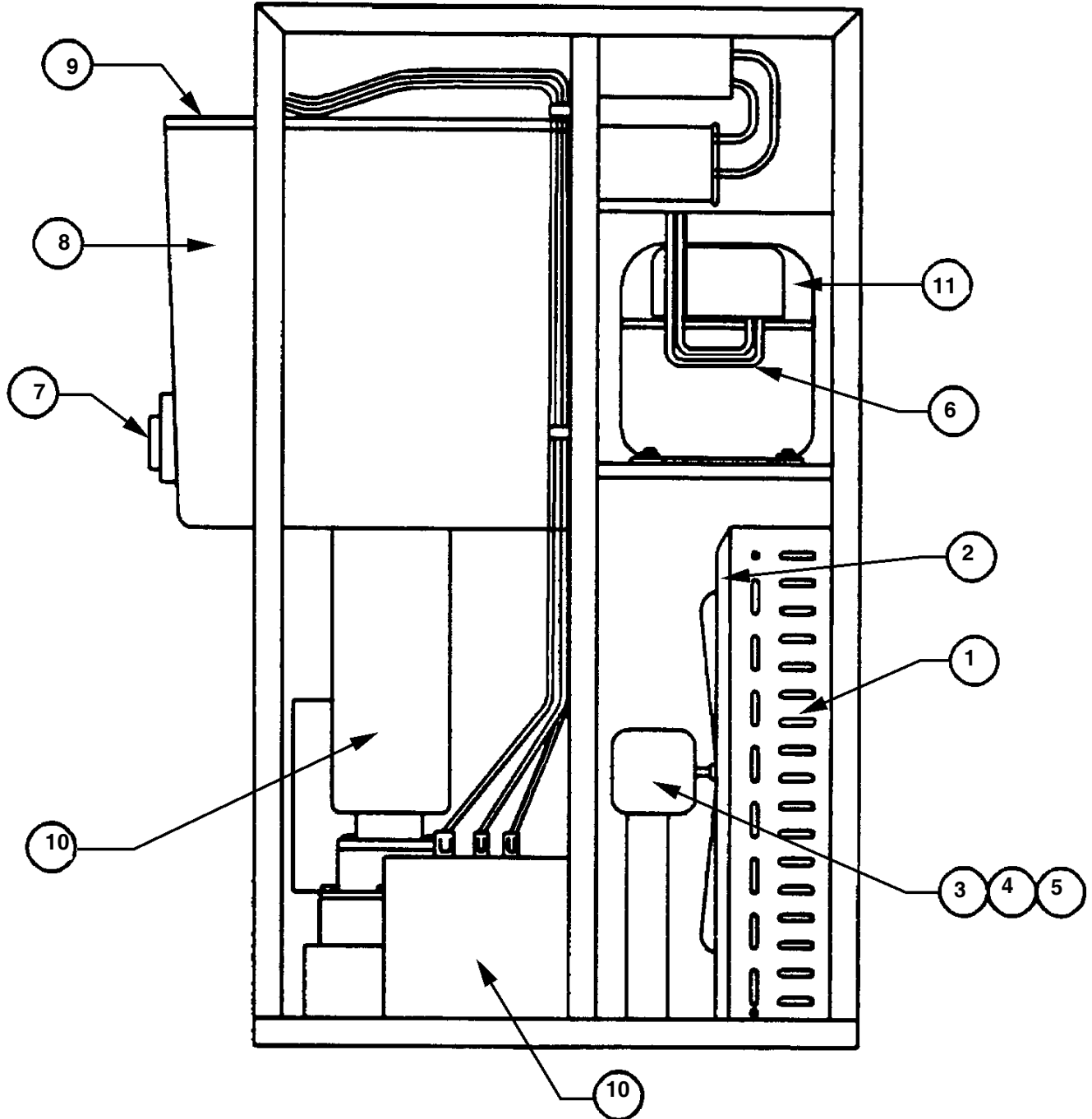
ILLUSTRATED PARTS LIST

REFRIGERATION AND FRAME ASSEMBLY IMD300-15

Item No.	Part No.	Name	Item No.	Part No.	Name
1	638000784	Condenser	*	638004393	Drier
2	638000872	Shroud Fan	*14	638030732 638032845001	Overload 115V Overload 220V
3	638001007	Fan Blade	*15	638030733 638032845002	Relay 115V Relay 220V
4	638003599	Bracket Fan Mounting	*16	638030734 638032845-003	Start Capacitor 115V Start Capacitor 220V
*5	638032843	Water Level Control	17	638032714	Air Filter
6	638000525 638010016	Fan Motor 115V Fan Motor 220V	18	638032762 638032762-002	Water Valve (115V) Water Valve (220V)
7	638031108 638031108-01	Dispense Mechanism (115V) Dispense Mechanism (220V)	19	638032777	Valve Needle 1/4 X 1/4 Female Pipe
8	630000717	Storage Bin Asmb.	20	638032778	1/4 Hose Barb X 1/4 MPT
9	638032770 638032770-002	Ice Level Control (115V) Ice Level Control (220V)	21	638007373	Connector 1/4 ML X 1/4 FPT Brass
10	638032776 638032776-002	Electrical Box Asm. (115V) Electrical Box Asm. (220V)	22	638032815	Water Dispense Tube
*11	638031763-002	Drain Receptacle Asm.	23	638006070	Tube Vinyl
12		See Diagram on Page 17 & Chart on Page 18			
13	638032739 638032845	Compressor 1/3hp R-134a (115V) Compressor 1/3hp R-134a (220V)			

* Not Shown

ILLUSTRATED PARTS LIST



REFRIGERATION AND FRAME ASSEMBLY IMD 300-30 AND IMD 600-30



ILLUSTRATED PARTS LIST

REFRIGERATION AND FRAME ASSEMBLY IMD 300-30 AND IMD 600-30

Item No.	Part No.	Name	Item No.	Part No.	Name
1	638004204 638036383 638036272	Condenser Air Cooled Condenser IMD 300 Water Cooled Condenser IMD 600 Water Cooled	6	638011480-01	Cable Assembly
2	638004285	Shroud Fan	7	638031108 638031496-001 638031108-01	Dispense Mechanism (115V) Dispense Mechanism (208V) Dispense Mechanism (220V)
3	638004387	Fan Blade	8	630000716 630000715	Storage Bin 300-30 Storage Bin 600-30
4	638004391	Bracket Fan Mounting	9	638031494-001 638031494-002	Ice Level Control (115V) Ice Level Control (220V)
			10		See Diagram on Page 17 & Chart on Page 18
*	638004643-04	Water Level Control	*	638031763-002	Drain Receptacle Asm.
5	638008646 638008886-001	Fan Motor (115V) Fan Motor (220V)	*	164980002	Valve Water Regulating (Water Cooled)
*	638008943	Exhaust Fan (Water Cooled Units)	*	638009755	Pressure Switch (Water Cooled)
*	638033058	Mounting Bracket Exhaust Fan	*	638004393	Drier

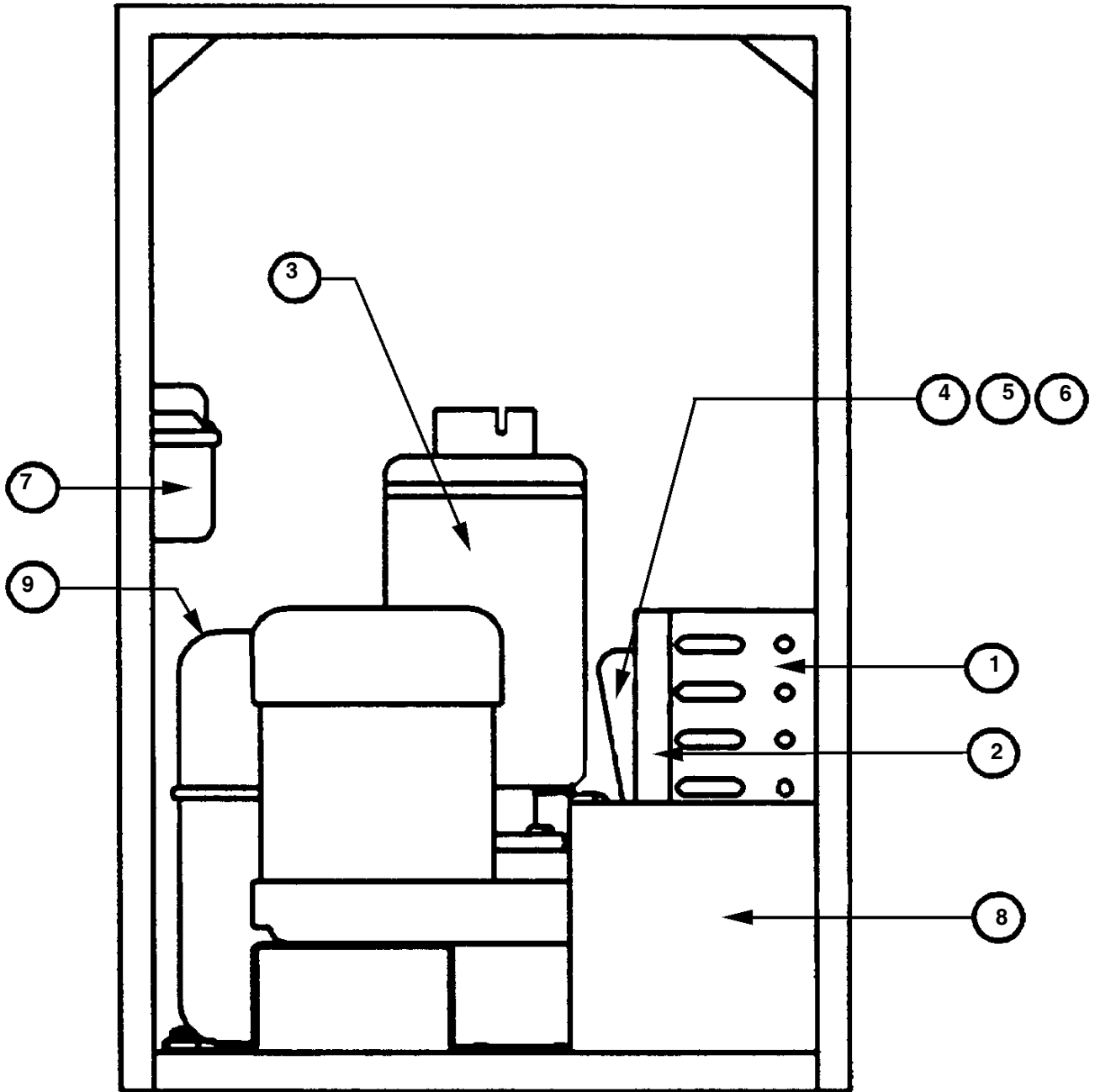
* Not Shown

Item No.	300-30	302-30	600-30	602-30	Description
11	631500016	631500017	631500018	631500019	Compressor Kit
*	638090121	638090131	638090221	162964041	Compressor
*	161998008	161998011	161998009	161998015	Start Relay
*	161165007	161165010	161165008	25335	Start Capacitor
*	638090123		161192004		Run Capacitor
*			638090221-001		Overload

NOTE: Compressor kit includes compressor, start components, and drier.



ILLUSTRATED PARTS LIST



REFRIGERATION AND FRAME ASSEMBLY IMD 600-90



ILLUSTRATED PARTS LIST

REFRIGERATION AND FRAME ASSEMBLY IMD 600-90

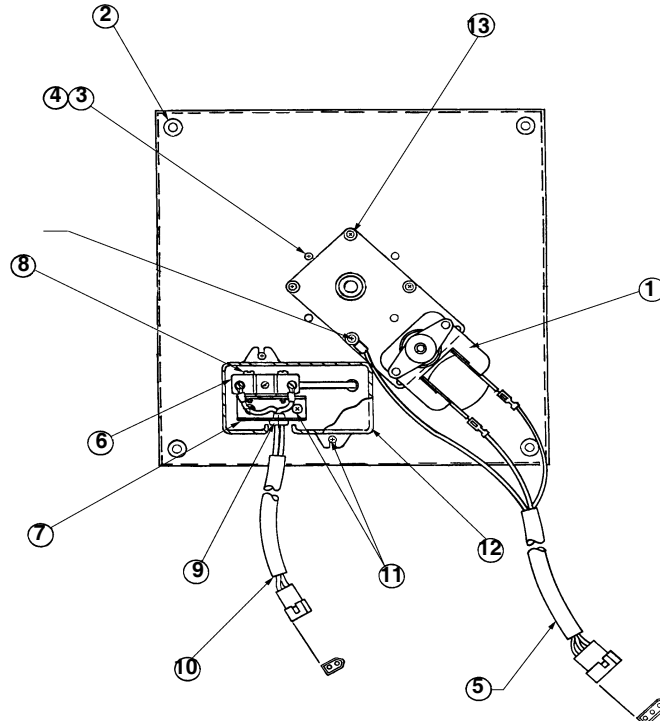
Item No.	Part No.	Name	Item No.	Part No.	Name
1	638036273	Condenser Air Cooled	8	638090625	Electrical Box Asm. (115V)
	638036272	Condenser Water Cooled		638090625-002	Electrical Box Asm. (220V)
2	638090635	Shroud Condenser	*	164980002	Valve Water Regulating Water Cooled
3	638090630	Front End Asm. (115V)	*	638009755	Pressure Switch Water Cooled
	638090630-001	Front End Asm. (208V)			
	638090630-002	Front End Asm. (220V)			
4	638090236	Fan Motor (115V)	*	638008943	Fan Exhaust (115V) Water Cooled
	638090234	Fan Motor (208V)			
	638090233	Fan Motor (220V)			
5	638090009	Bracket Fan Motor	*	638031832	Bracket Exhaust Fan Water Cooled
6	638096723	Fan Blade	*	638031763-00	Drain Receptacle Assembly
7	630900548	Water Level Control Asm.			

* Not Shown

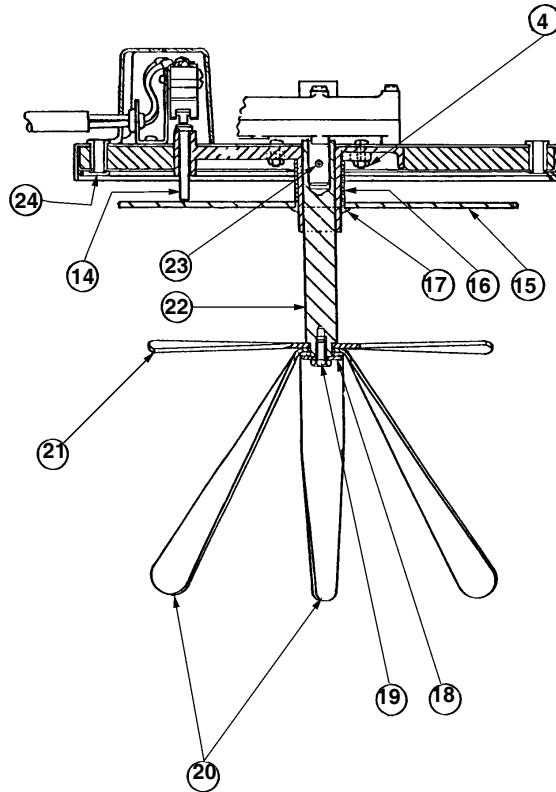
Item No.	600-90	602-90	Description
9	631500018	631500019	Compressor Kit
*	638090221	162964041	Compressor
*	161998009	161998015	Start Relay
*	161165008	25335	Start Capacitor
*	161192004		Run Capacitor
*	638090221-001		Overload

NOTE: Compressor kit includes compressor, start components, and drier.

ILLUSTRATED PARTS LIST



TOP VIEW ICE LEVEL CONTROL ASSEMBLY IMD 300-15



SIDE VIEW ICE LEVEL CONTROL ASSEMBLY IMD 300-15



ILLUSTRATED PARTS LIST

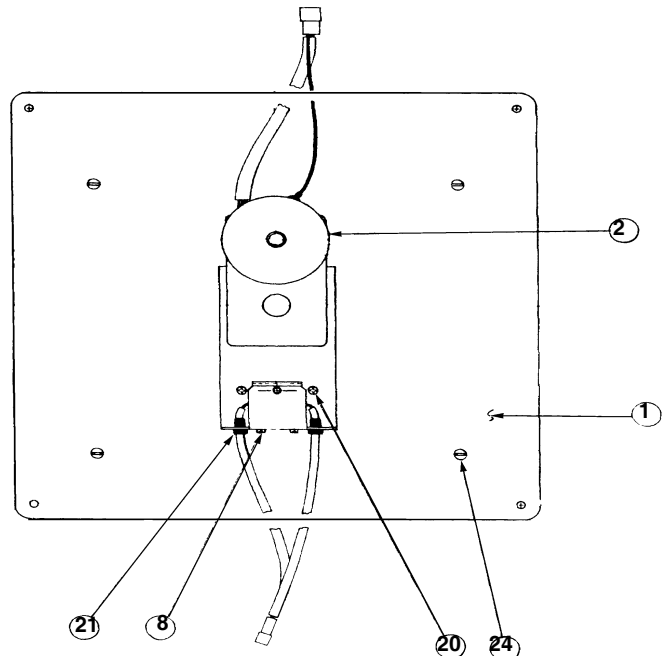
ICE LEVEL CONTROL ASSEMBLY IMD 300-15

Item No.	Part No.	Name
1	638032760 638032760-002	Gear Motor Dispense (115V) Gear Motor Dispense (220V)
2	638032759	Spacer Eyelet
3	638007051-08	Screw No.10-32 X 5/8" Long BHMS
4	638007204-06	Nut No.10-32 Keps Stainless Steel
5	638032748	Cable Gear Motor
6	638003924	Switch
7	638032745	Switch Bracket
8	638007002-12	Screw No.6-32 X 1" Long
9	638007341-10	Strain Relief
10	638032771	Cable Ice Level Control
11	638007009-02	Screw No.6 X 3/8" Long
12	638004001	Cover Switch

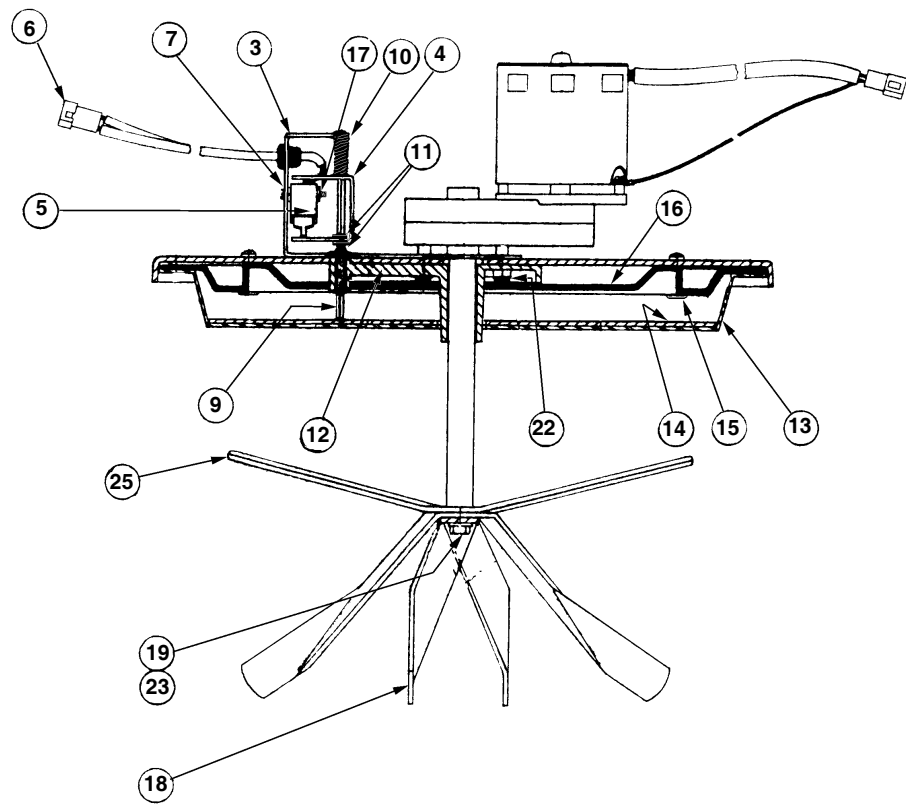
Item No.	Part No.	Name
13	638007026-16	Screw No.8-32 X 1-1/2" Long
14	638032747	Rod Actuator
15	638032750	Ice Level Plate
16	638032754	Spacer
17	638032713	Push On Ring 1" Dia.
18	638007301-18	Washer Plain Flat
19	27103	Screw 1/4-20 X 1/2" Long
20	638032719	Agitator Arm
21	638032718	Upper Agitator Plate
22	638032761	Agitator Shaft
23	638007345-07	Roll Pin .125 Dia. X 3/4" Long
24	638036645	Gasket Strip 4 pieces at 10-3/8" Long



ILLUSTRATED PARTS LIST



**TOP VIEW ICE LEVEL CONTROL ASSEMBLY IMD 300-30 AND 600-30
PART NUMBER 638031494-001 (115V) AND 638031494-002 (220V)**



**SIDE VIEW ICE LEVEL CONTROL ASSEMBLY IMD 300-30 AND 600-30
PART NUMBER 638031494-001 (115V) AND 638031494-002 (220V)**



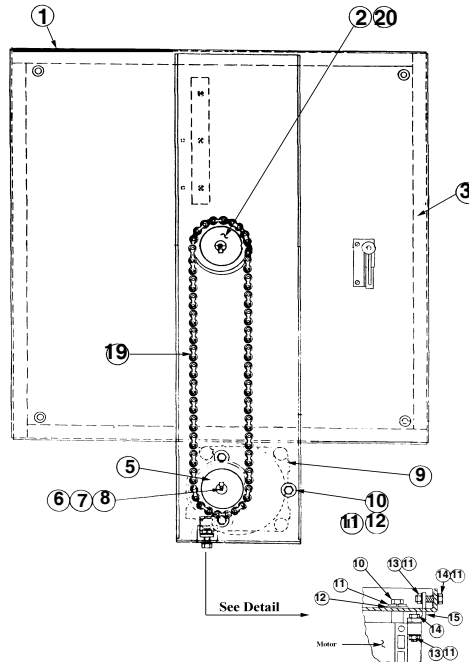
ILLUSTRATED PARTS LIST

ICE CONTROL LEVEL ASSEMBLY IMD 300-30 AND IMD 600-30

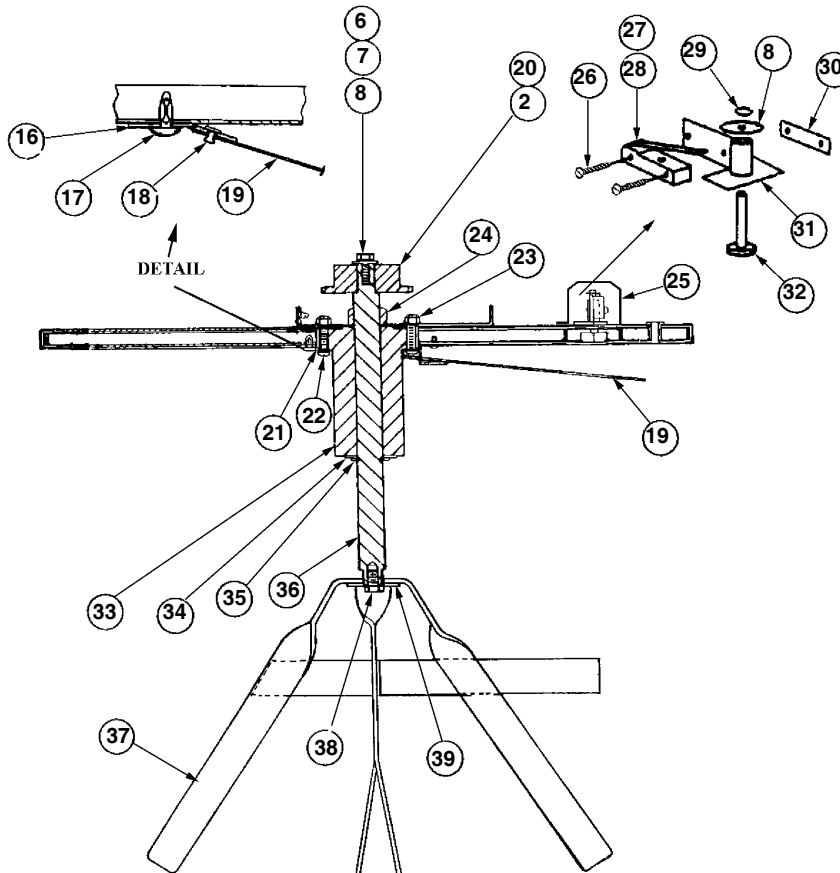
Item No.	Part No.	Name	Item No.	Part No.	Name
1	638031075	Top Cover Outside	14	638031147	Ice Level Plate
2	638031493-001 638031493-002	Dispense Motor Asm. (115V) Dispense Motor Asm. (220V)	15	638031100-06	Rivnut Fastener
3	638031077	Switch Mounting Bracket	16	638031076	Top Cover Inside
4	638031011	Switch Bracket	17	638007264-02	Nut Tinnerman Twin
5	638031156	Ice Level Switch	18	638031078	Agitator Arm
6	638011396	Bin Control Cable	19	27103	Screw 1/4-20 X 1/2" Long
7	638007308-01	Washer Fibre	20	638007002-03	Screw No.6-32 X 3/8" Long
8	638007009-10	Screw No.6-32 X 1-1/4" Long	21	07313	Strain Relief
9	638031010	Rod Actuator	22	70910	Screw No.10-32 X 1-1/4" Long
10	638031014	Spring Return	23	638007301-18	Washer
11	638007337-02	E-Ring	24	07051-07	Screw No.10-32 X 3/8" Long
12	638031146	Motor Mounting Bracket	25	638031159	Upper Agitator Arm
13	638031150	Diaphragm	*	638011620	Main Power Cable

* Not Shown

ILLUSTRATED PARTS LIST



TOP VIEW ICE LEVEL CONTROL ASSEMBLY IMD 600-90



SIDE VIEW ICE LEVEL CONTROL ASSEMBLY IMD 600-90



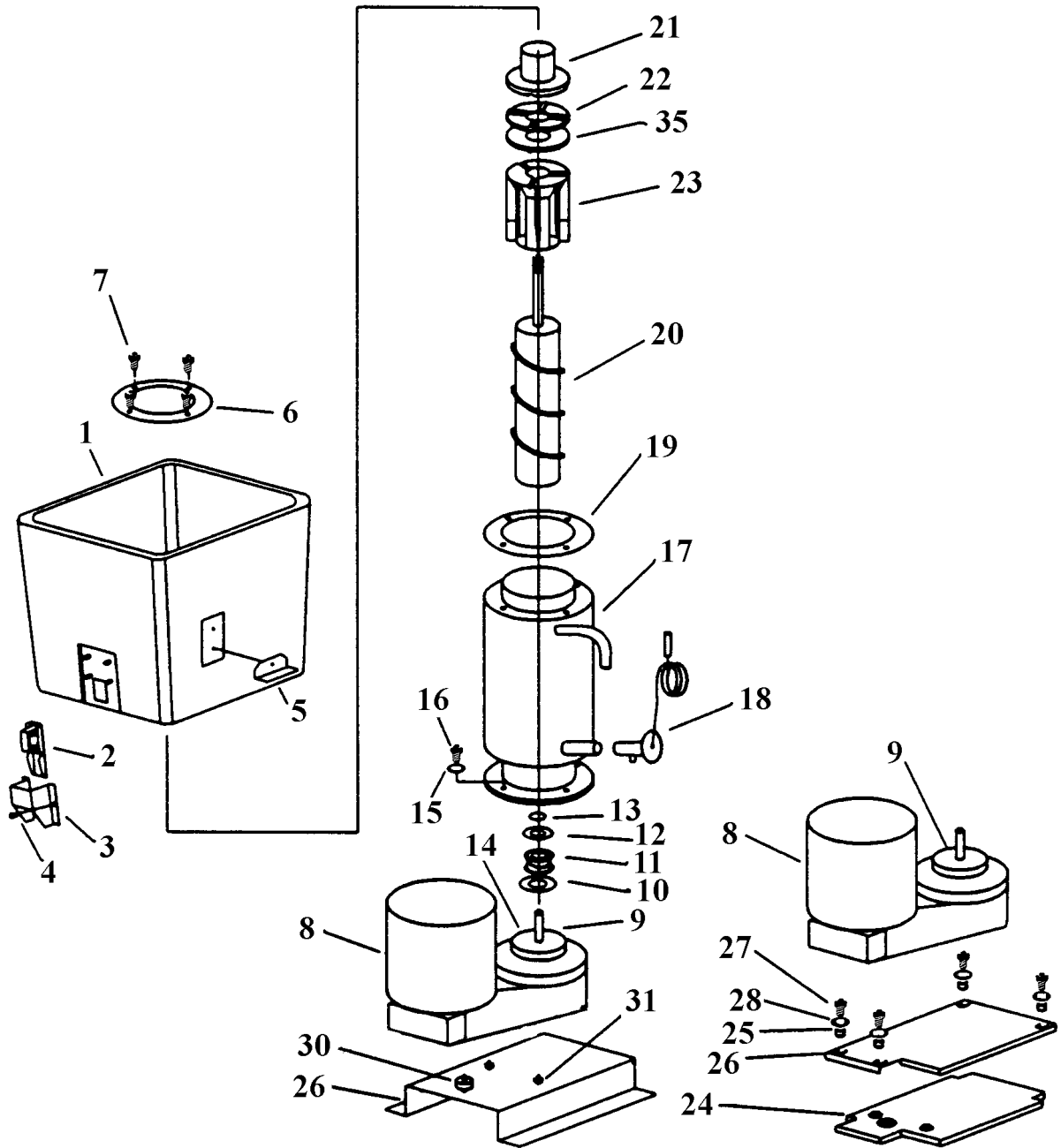
ILLUSTRATED PARTS LIST

ICE LEVEL CONTROL ASSEMBLY IMD 600-90

Item No.	Part No.	Name	Item No.	Part No.	Name
1	638031893	Insulated Bin Cover Asm.	22	70910	Screw No.10-32 X 1-1/4" Long
2	638036605	Sprocket 24T	23	638007201-10	Nut No.10-32
3	638036645	Gasket (underside of bin cover)	24	638047377-001	Collar Shaft .75 I.D.
4	638009062-02	Chain	25	638004001	Switch Cover
5	638036604	Sprocket 20T	26	638007009-10	Screw No.6 X 1-1/8" Long
6	01470	No.10 Lock Washer	27	638003924	Switch
7	638007052-02	Screw No.10-32 X 1/2" Long	28	638001662	Switch Insulator
8	638000845	No.10 Flat Washer	29	638007337-03	E-Ring
9	638036587-01 638031849 638031849	Dispense Motor Asm (115V) Dispense Motor Asm. (208V) Dispense Motor Asm. (220V)	30	638007264-02	Tinnerman Nut Twin
10	638005633	Special Screw 1/4-20 X 9/16" Long	31	638032571	Switch Mounting Bracket
11	00885	Washer 1/4 External Tooth	32	638032567	Actuating Pin Ice Level
12	168833003	Flat Washer	33	638036910	Hub-Agitator Shaft
13	638007206-07	Jam Nut 1/4-20	34	638007301-039	Flat Washer
14	638007088-06	Screw 1/4-20 X 3/4" Long	35	638040033	Retaining Ring
15	638036651	Tension Bracket Motor	36	638033798	Shaft, Agitator
16	638036577	Hinge Ice Control	37	638036923	Agitator Blade Assembly
17	638007108-01	Canoe Clip	38	27103	Screw 1/4-20 X 1/2" Long
18	164005001	Pop Rivet	39	638007301-18	Flat Washer
19	638036938	Plate Ice Control	*	163424000	Strain Relief
20	638036123	Key Square Drive	*	638011665	Jumper Wire Ice Level Switch
21	638036603	Spacer Hub			



ILLUSTRATED PARTS LIST



IMD300-15 & 300-30

IMD 600-30

BIN AND FRONT END ASSEMBLY IMD 300-15, IMD 300-30, AND 600-30



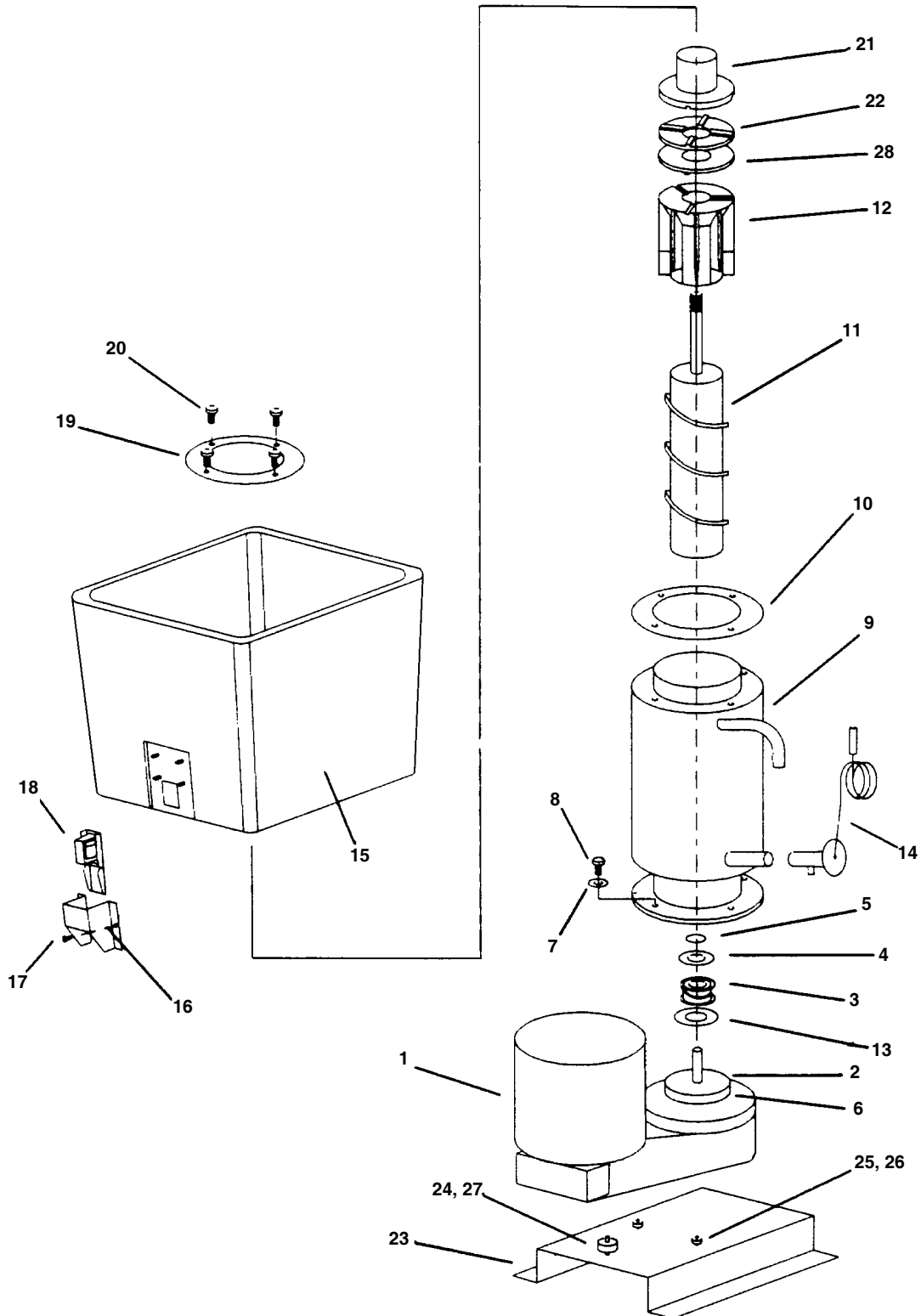
ILLUSTRATED PARTS LIST

BIN AND FRONT END ASSEMBLY IMD 300-15, IMD 300-30 & IMD 600-30

Item No.	300-15 Part No.	300-30 Part No.	600-30 Part No.	Name
1	630000717	630000716	630000715	Storage Bin Assembly
2	638031108	638031108	638031108	Dispense Mechanism (115V)
	638031108-01	638031108-01	638031496-001 638031108-01	Dispense Mechanism (208V/60HZ) Dispense Mechanism (220V/50HZ)
3	638032513	638032039	638032039	Ice Chute, Upper
4	638007201-03	638007201-03	638007201-03	Nut No.8-32 ESNA
5	638032741	638032034	638032034	Clip Retainer
6	630900769	630900769	630900765	Retainer Ring
7	161179001	161179001	161179001	Screw 1/4-20 X 3/4" Long HHMS
8	638090050-002	638090050-002	638090050	Gearmotor (115V) w/items 11, 13, 14
	638090050-003	638090050-003	638090050-004	Gearmotor (208V/60Hz) w/items 11, 13, 14
	638090050-005	638090050-005	638090050-006	Gearmotor (220V/50Hz) w/items 11, 13, 14
*	638032797	638011645	638011645	Cable Assembly, Gearmotor 115V
*	N/A	N/A	638011649	Cable Assembly, Gearmotor 208V
*	638032797-001	638011647	638011647	Cable Assembly, Gearmotor 220V
9	N/A	N/A	638090215	Shaft Seal Mount
10	N/A	N/A	638031027	O-Ring 3/16 X 1-1/2"
11	638090051	638090051	638090051	Seal Shaft Mechanism
12	N/A	N/A	638007301-030	Washer Lower
13	638090053	638090053	638090053	E-Ring
14	638090116	638090116	638090216	Shaft Seal Seat
15	168833000	168833000	168833000	Washer Lock 1/4 Split
16	63807088-06	638007088-06	638007088-06	Screw 1/4-20 X 3/4" Long
17	630000633	630000633	630000650	Evaporator Assembly
18	638032758-001	638090126	638090226	Expansion Valve
19	630900766	630900766	630900764	Gasket, Hopper/Evaporator
20	638090113	638090113	638090213	Auger D-Drive
21	638090111-002	638090111-002	638090211-002	Auger Nut
22	638090119	638090119	638090219	Bearing Nylon
23	638090117	638090117	638090217	Extruding Head Assembly
24	N/A	N/A	6380995111	ISO-Pad
25	N/A	N/A	638004442	Spacer
26	638032723	638031511	638031517	Bracket, Front End Assembly
27	N/A	N/A	638007972-03	Screw No.10 X 3/4" Long Type B
28	N/A	N/A	638000845	Washer Flat
30	638007504	638007504	N/A	Vibration Mount, 5/16-18 Stud
31	6380K1008	6380K1008	N/A	Grommet
32	638007204-07	638007204-07	N/A	Nut-Keps 5/16-18
35	638090120	638090120	638090220	Bearing-Delrin



ILLUSTRATED PARTS LIST



BIN AND FRONT END ASSEMBLY IMD 600-90



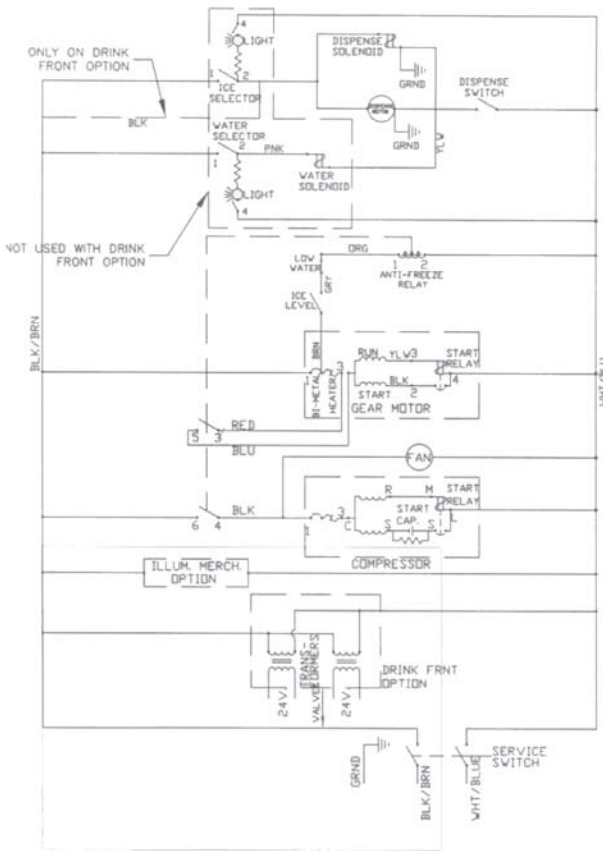
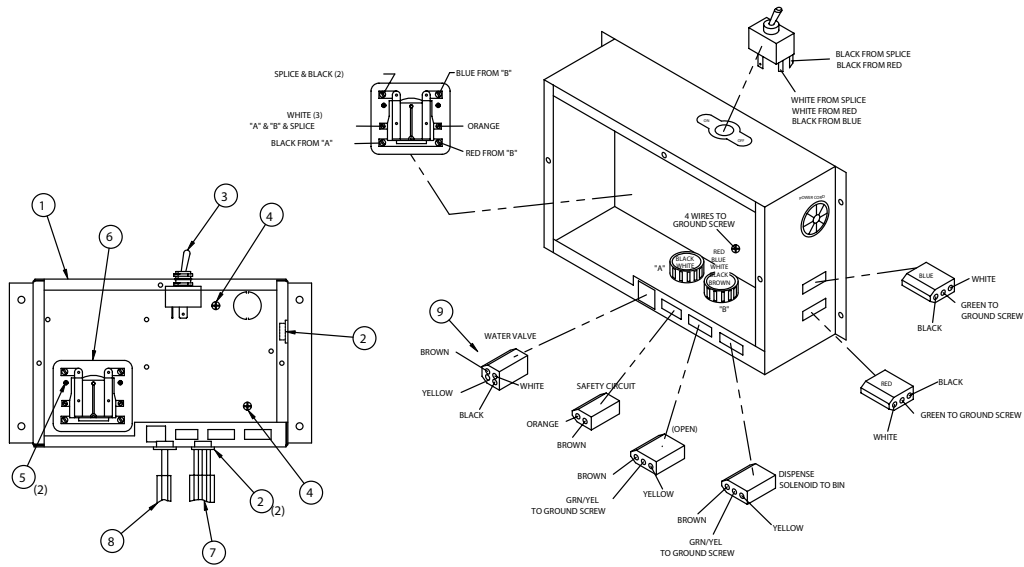
ILLUSTRATED PARTS LIST

BIN AND FRONT END ASSEMBLY IMD 600-90A

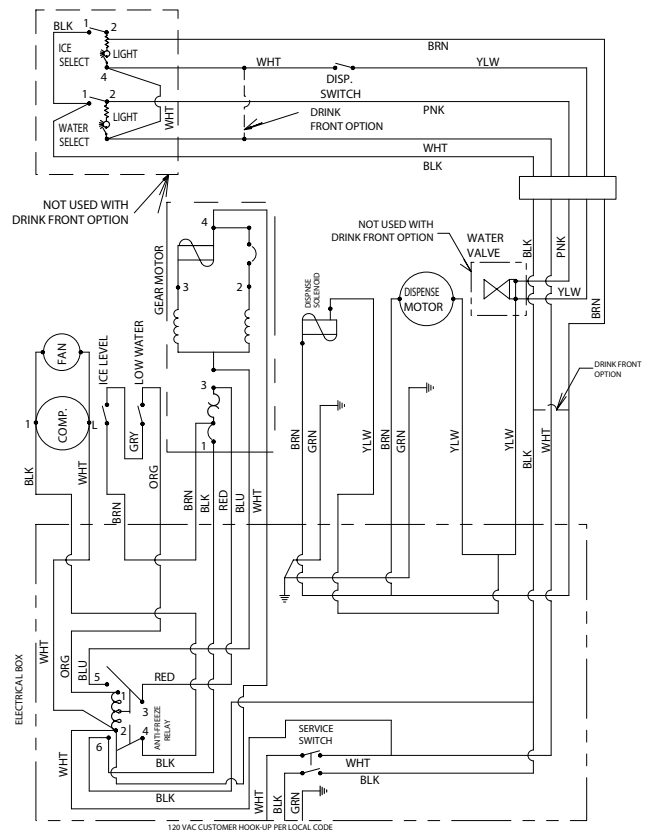
Item No.	Part No.	Name	Item No.	Part No.	Name
1	638090050	Gearmotor (115V) w/items 2-6	14	638090226	Valve Thermal Expansion
	638090050-004	Gearmotor (208V) w/items 2-6			
	638090050-006	Gearmotor (220V) w/items 2-6			
	*	638011645			
*	638011647	Cable Assembly Gearmotor 208V	15	630000714	Storage Bin Assembly
*	638011647	Cable Assembly Gearmotor 220V	16	638032287	Ice Chute
2	638090215	Shaft Seal Mount	17	638007201-03	Nut No.8-32
			18	638031108	Dispense Mechanism Ass'y (115V)
			638031496-001	Dispense Mechanism Ass'y (208V)	
			638031108-01	Dispense Mechanism Ass'y (220V)	
			19	630900765	Retainer Ring Storage Bin
			20	638007088-06	Screw 1/4-20 X 7/8" Long
			21	638090211-002	Auger Nut
			22	638090219	Bearing Nylon
			23	638032514	Bracket Front End Assembly
			24	638007504	Vibration Mount 5/16-18 Stud
			25	6380K1008	Grommet
			26	164083002	Nut-Keps No.10-32
			27	638007204-07	Nut-Keps 5/16-18
28	638090220	Bearing Delrin			
3	638090051	Seal Shaft Mechanism			
4	638007301-030	Washer Lower Bearing			
5	638090053	E-Ring			
6	638090216	Seat Shaft Seal			
7	168833000	Washer Lock 1/4 Split			
8	638007088-06	Screw 1/4-20 X 1/2" Long			
9	630000650	Evaporator Assembly			
10	630900764	Gasket Hopper/Evaporator			
11	638090213	Auger 2-1/2" D-Drive			
12	630600608	Extruding Head Assembly 2-1/2"			
13	638031027	O-Ring 3/16 X 2" I.D.			



ILLUSTRATED PARTS LIST



IMD302-15



IMD300-15

ELECTRICAL BOX ASSEMBLY PART NO. 32776 IMD 300-15 AND 32776-002 IMD 302-15



ILLUSTRATED PARTS LIST

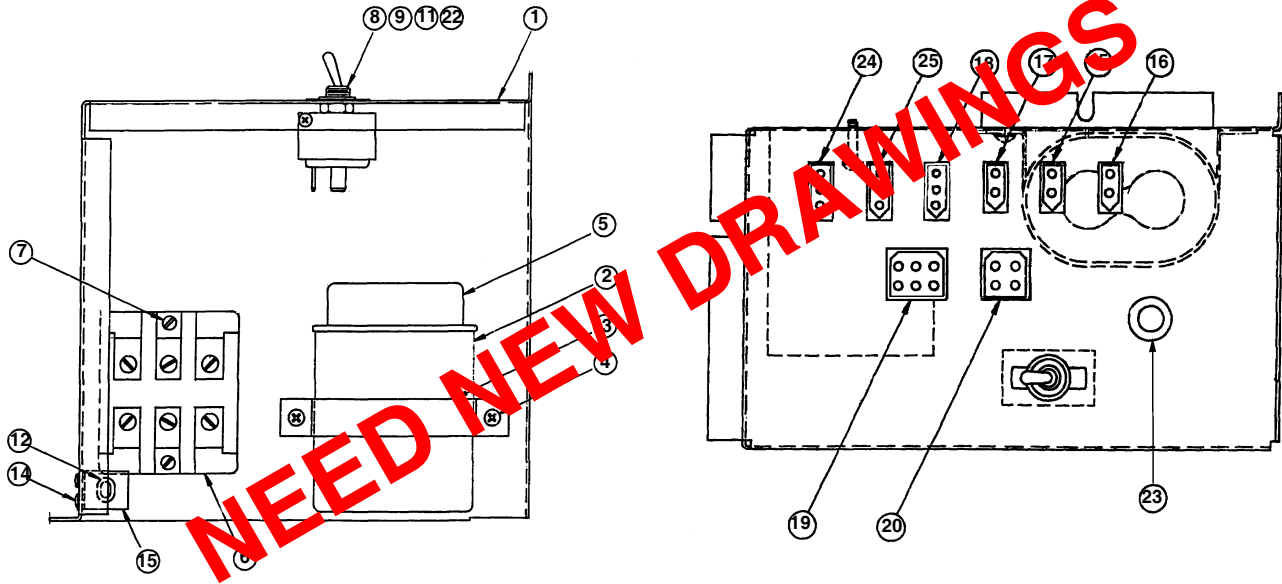
ELECTRICAL BOX ASSEMBLY IMD 300-15 AND IMD 302-15

Item No.	Part No.	Name
1	638032794	Electrical Box
2	163529000	Bushing
3	638004791	Switch Toggle
4	638007051-06	Screw No.10-32 X 3/8"
5	638007030-02	Screw No.8 X 5/8"
6	638004402 638010018	Relay 115V Relay 220V

Item No.	Part No.	Name
7	638032798	Cable, Gearmotor
8	638032820	Cable, Compressor
*	638032820	Cable, Safety Circuit
*	630300242	Main Wire Harness 115V
*	630300294	Main Wire Harness 220V



ILLUSTRATED PARTS LIST



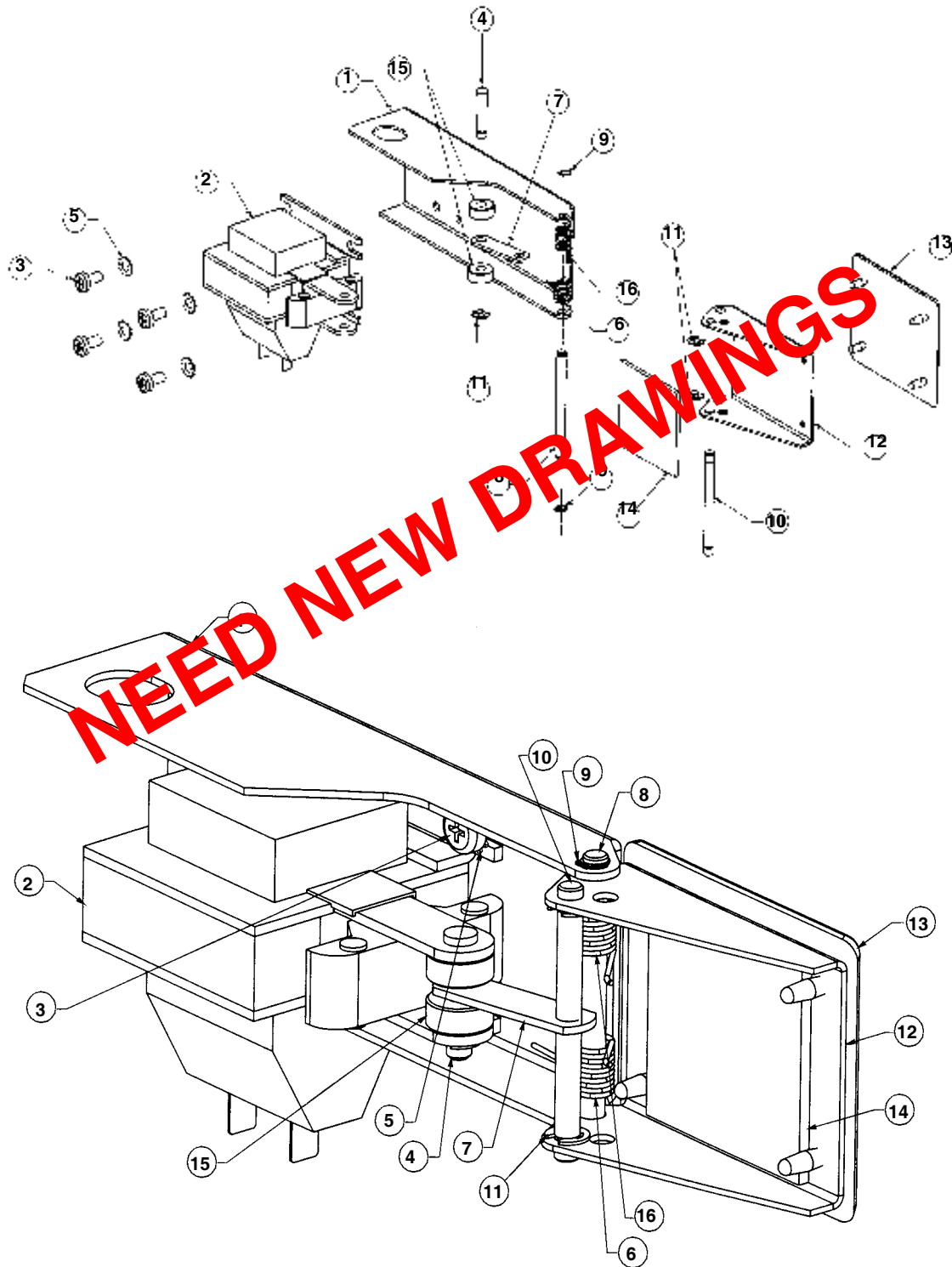
ELECTRICAL BOX ASSEMBLY IMD 300-30, IMD 600-30, AND IMD 600-90 (ALL VOLTAGES)

Item No.	Part No.	Name
1	638031001	Electrical Box
2	638035039	Capacitor Run (IMD600-90 & IMD602-90)
	638031003	Capacitor Run (IMD300-30 & IMD600-30)
	638031205	Capacitor Run (IMD301-30, IMD302-30, IMD601-30, & IMD602-30)
3	630200166	Bracket, Capacitor
4	07578	Screw No. 8-32 X 318"
	09559	Nut, Weld No. 8-32
5	638090052	Contactor 3-Pole (115V/60Hz)
	638090054	Contactor 2-Pole (208V-220V)
6	630900111	Screw No. 8-32 X 314"
7	638004791	Switch Toggle
8	638031498	Timer Auger Delay 60 Sec 115/60HZ
	N/A	N/A on 208V-220V
9	638031796	Cont. Timer Delay (115V/60Hz)
	638031876	Cont. Timer Delay (208V-220V)
10	638007303-04	Washer Lock 15/32 SS
11	163424000	Strain Relief
12	638031129	Bracket Strain Relief
13	164005001	Pop Rivet
14	630900209	Bushing

Item No.	Part No.	Name
15	638011582	Cable Assem. Ice Level (IMD600-90 Series Only)
16	638008483-01	Sw. Reed Assem. (IMD300-30 Series, IMD600-30 Series)
	638008483-03	Sw. Reed Assem. (IMD600-90 Series)
17	638011620	Cable Assem. Main Jumper (IMD300-30 Series, IMD600-30 Series)
	638011584	Cable Assembly Main Jumper (IMD600-90 Series)
18	638011645	Cable Assem. Trans 5 Wire (115V)
	638011647	Cable Assembly Trans 5 Wire (208V-220V)
19	630900209	Bushing
20*	638011657	Cable Assem. Drink Front
21*	638011708	Cable Assem. Merc. Jumper
*	630300210	Wire Harness (115V/60Hz)
	630300254	Wire Harness (208V-220V)
*	638031084	Cover Elect. Box (IMD300-30 & IMD600-30)
	638031738	Cover Elect. Box (IMD600-90)
*	638031877-001	Cover/Timer Control Assem. (115V/60Hz)
	638031877-002	Cover/Timer Control Assem. (208V/220V)
*	638032146	Merchandiser Step Down Transformer
*	638032091	Transformer (for optional drink valves)



ILLUSTRATED PARTS LIST



**DISPENSE MECHANISM ASSEMBLY IMD300-15, IMD300-30, IMD600-30, AND IMD600-90
EXPLODED VIEW**



ILLUSTRATED PARTS LIST

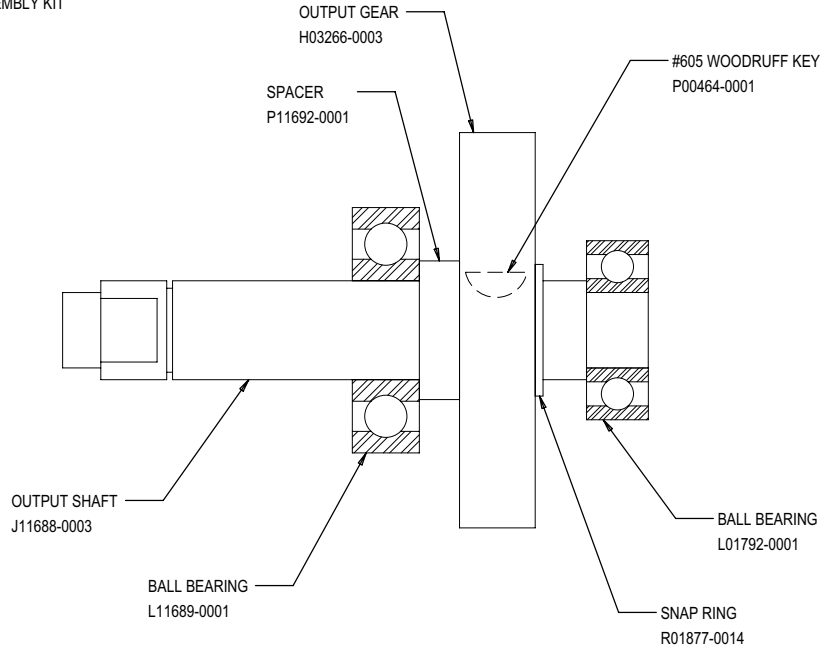
DISPENSE MECHANISM ASSEMBLY IMD 300-15, IMD 300-30, IMD 600-30 & IMD 600-90

Item No.	Part No.	Name
1	638031035	Bracket Solenoid Mounting (115V)
	638031505	Bracket Solenoid Mounting (208V)
2	638010081	Solenoid (115V)
	638031499-001	Solenoid (208V)
	638010019	Solenoid (220V)
3	638007051-02	Screw No. 10-32 X 3/8"
4	638031007	Pin Linkage
5	168833005	Washer SR SS
6	638004443	Spring Torsion Lower
7	638031006	Link Door Mechanism
8	638004416	Pin Pivot
9	638007338-01	Ring Retainer
10	638004417	Pin Drive
11	638007337-02	Retainer E-Ring
12	638031036-001	Door IMD
13	638031002	Gasket Door
14	638000981	Spacer
15	638004418	Spring Torsion Upper

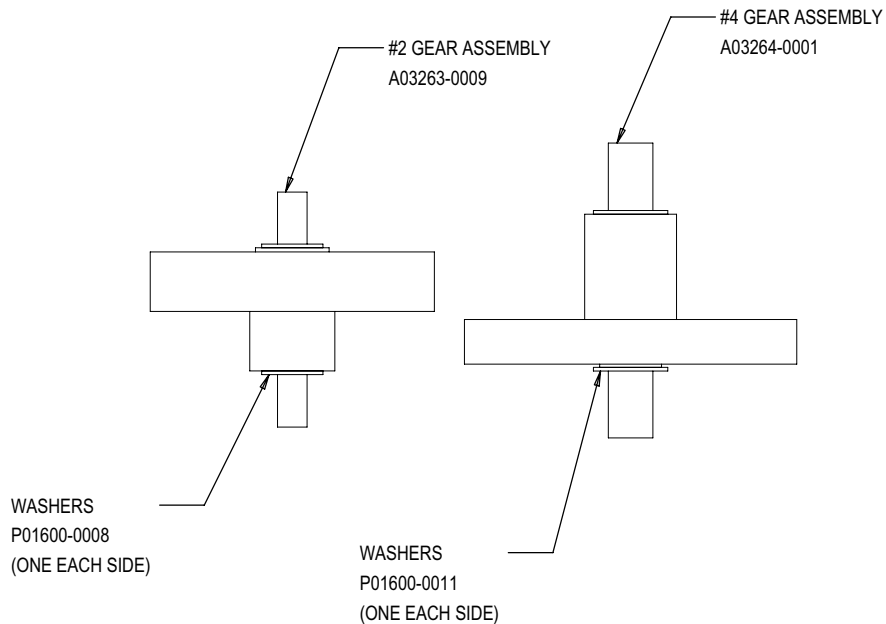


ILLUSTRATED PARTS LIST

90001
 OUTPUT ASSEMBLY KIT



90001
 INTERMEDIATE GEAR ASSEMBLY KIT

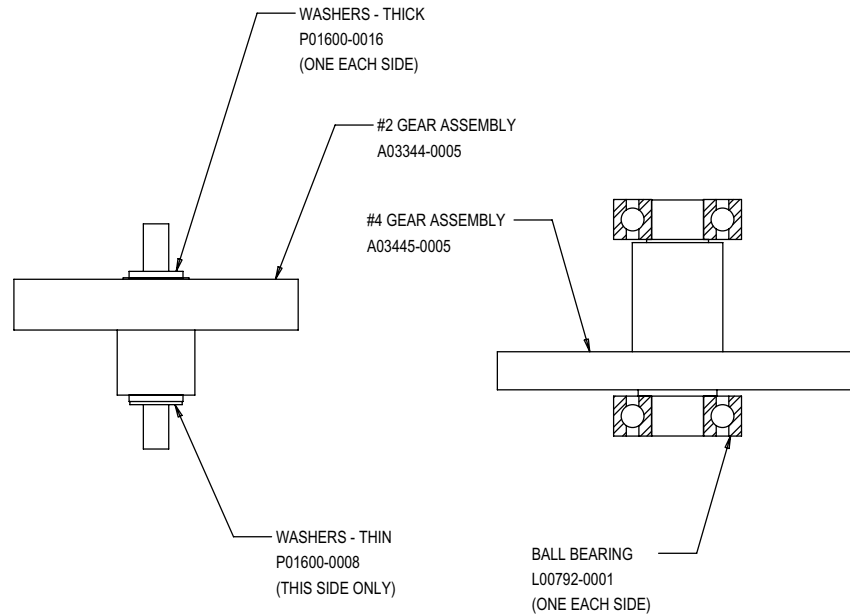


GEAR MOTOR ASSEMBLY

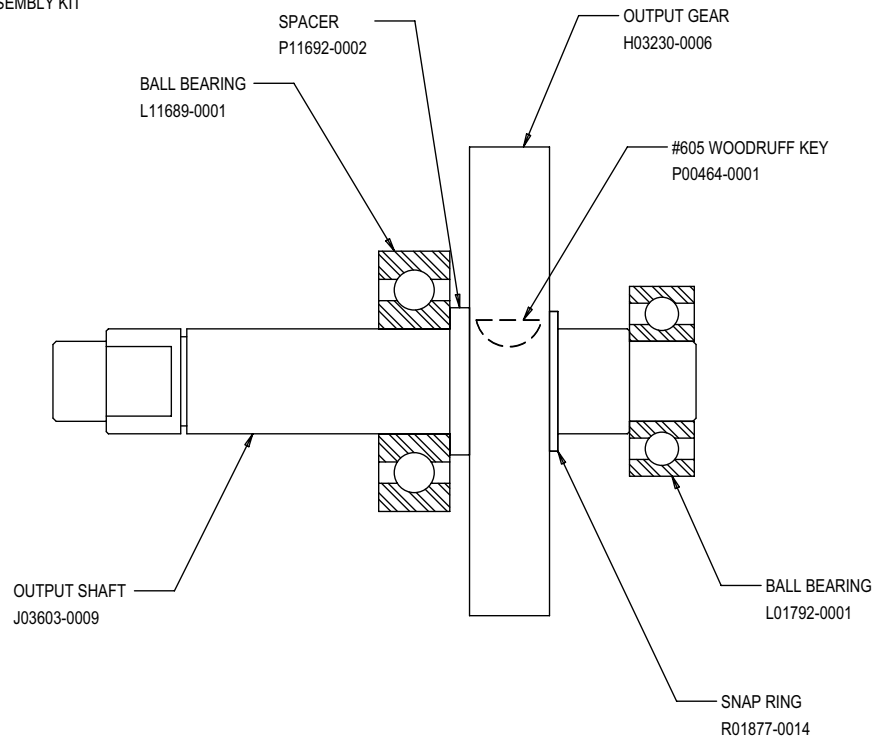


ILLUSTRATED PARTS LIST

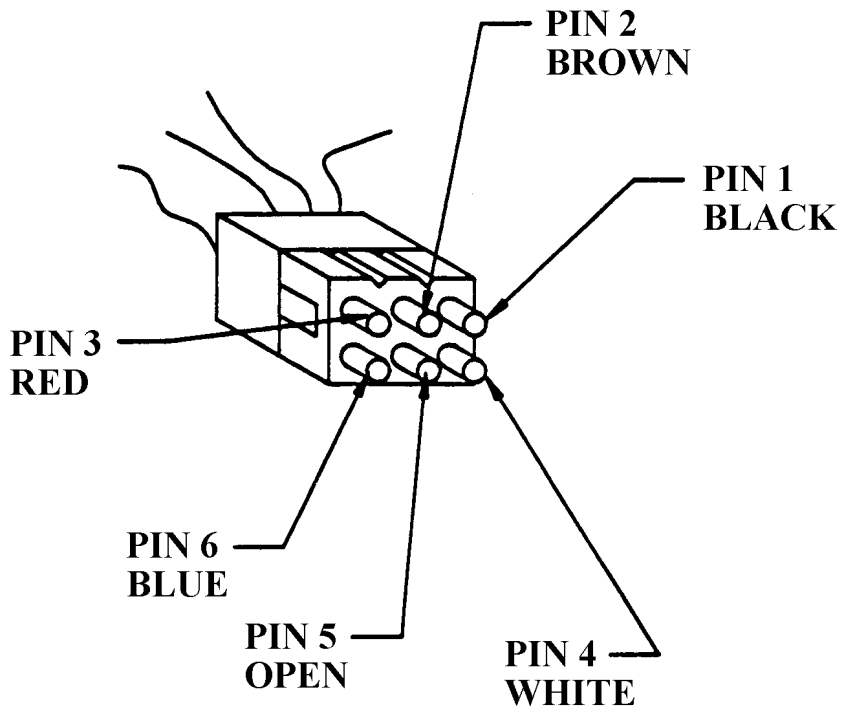
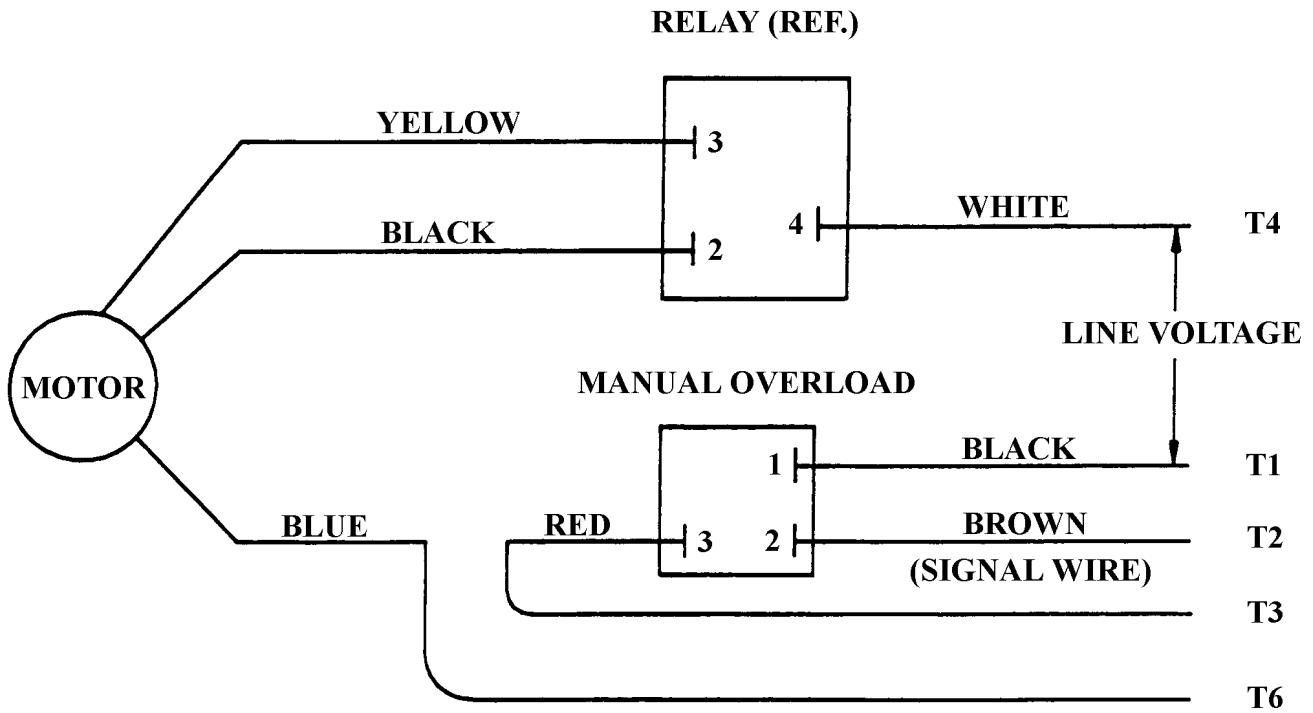
90000-001
INTERMEDIATE GEAR ASSEMBLY KIT



90000-001
OUTPUT ASSEMBLY KIT



ILLUSTRATED PARTS LIST



GEAR MOTOR ASSEMBLY WIRE DIAGRAM (ALL VOLTAGES) EXPLODED VIEW