



IMI CORNELIUS INC.
 One Cornelius Place
 Anoka, MN 55303-6234
 Telephone (800) 238-3600
 Facsimile (763) 422-3246

INSTALLATION INSTRUCTIONS

DF/ED XXX LID KITS FOR THE FOLLOWING ICE MAKERS: CORNELIUS XTREME SERIES

322/522/330/530/630/830/1030/1230

KITS FOR USE WITH CORNELIUS XTREME 322/522 22" SINGLE CURTAIN ICE MAKERS.						
Dispenser	ED 100/150 (Black)	ED 150 (Black)	ED 175 (Black)	ED 2XX (Black)	ED 300 (Black)	
Kit Number	629087940	629087939	629087938	629087937	629087936	
Components						Qty
1. Lid Assembly	620027505	620046012	620046011	15276	15210	1
2. Cover	52934	620043512	620043512	52969	52946	1
3. Ice Baffle	620037007	620037007	620037007	620037003	620042919	1
4. Bin-Stat Kit	631500109	631500109	631500109	631500109	631500116	1
5. Bracket	620027306	22127	22127	22127	22127	2
6. Screw, Mounting	70217	70217	70217	70217	70217	6-8
7. Gasket	620050102	620050102	620050102	620050102	620050102	87"
8. Label	90221	90221	90221	90221	90221	1
9. Acorn Nut, Nylon	620701902	620701902	620701902	620701902	620701902	2-4
10. Sealing Washer	620701901	620701901	620701901	620701901	620701901	2-4
11. Nylon Washer	621701903	621701903	621701903	621701903	621701903	2-4
Dispenser	DF 100/150 (Gray)	DF/ED 150 (Gray)	DF/ED 175 (Gray)	DF/ED 2XX (Gray)	DF/ED 300 (Gray)	
Kit Number	629087935	629087931	629087934	629087933	629087928	
Components						Qty
1. Lid Assembly	620027505	620046012	620046011	15276	15210	1
2. Cover	52933	620043511	620043511	52970	52964	1
3. Ice Baffle	620037007	620037007	620037007	620037003	620042919	1
4. Bin-Stat Kit	631500109	631500109	631500109	631500109	631500116	1
5. Bracket	620027306	22127	22127	22127	22127	2
6. Screw, Mounting	70217	70217	70217	70217	70217	6-8
7. Gasket	620050102	620050102	620050102	620050102	620050102	87"
8. Label	90221	90221	90221	90221	90221	1
9. Acorn Nut, Nylon	620701902	620701902	620701902	620701902	620701902	2-4
10. Sealing Washer	620701901	620701901	620701901	620701901	620701901	2-4
11. Nylon Washer	621701903	621701903	621701903	621701903	621701903	2-4

Dispenser	ED 100/150 (Gray)	ED 150 (Gray)	ED 175 (Gray)	ED 2XX (Gray)	ED 300 (Gray)	
Kit Number	629087932	629087931	929087930	929087929	629087928	
Components						Qty
1. Lid Assembly	620027505	620046012	620046011	15276	15210	1
2. Cover	52994	620043511	620043511	53003	52964	1
3. Ice Baffle	620037007	620037007	620037007	620037003	620042919	
4. Bin Stat Kit	631500109	631500109	631500109	631500109	631500116	1
5. Bracket	620027306	22127	22127	22127	22127	2
6. Screw, Mounting	70217	70217	70217	70217	70217	6-8
7. Gasket	620050102	620050102	620050102	620050102	620050102	87"
8. Label	90221	90221	90221	90221	90221	1
9. Acorn Nut, Nylon	620701902	620701902	620701902	620701902	620701902	2-4
10. Sealing Washer	620701901	620701901	620701901	620701901	620701901	2-4
11. Nylon Washer	621701903	621701903	621701903	621701903	621701903	2-4

KITS FOR USE WITH CORNELIUS XTREME 330/530/630/830 30" SINGLE CURTAIN ICE MAKERS.

Dispenser	ED 2XX (Black)	DF 2XX (Gray)	ED 2XX (Gray)	ED 300 (Black)	DF/ED 300 (Gray)	
Kit Number	629087927	629087925	629087922	629087926	629087924	
Components						Qty
1. Lid Assembly	620027305	620027305	620027305	29505	29505	1
2. Cover	52969	52970	53003	52946	52964	1
3. Ice Baffle	620037003	620037003	620037003	620042919	620042919	1
4. Bin Stat Kit	631500109	631500109	631500109	631500116	631500116	1
5. Bracket	620027306	620027306	620027306	22127	22127	2
6. Screw, Mounting	70217	70217	70217	70217	70217	6-8
7. Gasket	620050102	620050102	620050102	620050102	620050102	103"
8. Label	90221	90221	90221	90221	90221	1
9. Acorn Nut, Nylon	620701902	620701902	620701902	620701902	620701902	2-4
10. Sealing Washer	620701901	620701901	620701901	620701901	620701901	2-4
11. Nylon Washer	621701903	621701903	621701903	621701903	621701903	2-4

KITS FOR USE WITH CORNELIUS XTREME 1030/1230 30" DUAL CURTAIN ICE MAKERS.

Dispenser	ED 2XX (Black)	DF 2XX (Gray)	ED 2XX (Gray)	ED 300 (Black)	DF/ED 300 (Gray)	
Kit Number	629087942	629087945	629087946	629087943	629087944	
Components						Qty
1. Lid Assembly	620027305	620027305	620027305	29505	29505	1
2. Cover	52969	52970	53003	52946	52964	1
3. Ice Baffle	620037003	620037003	620037003	620042919	620042919	1
4. Bin Stat Kit	631500074	631500074	631500074	631500108	631500108	1
5. Bracket	620027306	620027306	620027306	22127	22127	2
6. Screw, Mounting	70217	70217	70217	70217	70217	6-8

7. Gasket	620050102	620050102	620050102	620050102	620050102	103"
8. Label	90221	90221	90221	90221	90221	1
9. Acorn Nut, Nylon	620701902	620701902	620701902	620701902	620701902	2-4
10. Sealing Washer	620701901	620701901	620701901	620701901	620701901	2-4
11. Nylon Washer	621701903	621701903	621701903	621701903	621701903	2-4

IMPORTANT: For DF/ED300 models, adjust the automatic agitation timer located in the dispenser's electrical control box to 5 seconds on, 20 minutes off. Access to the timer is provided by removing the merchandiser/upper front panel.

1. Unpack kit. Refer to Figures 1 and 2 for component detail.
2. Insert the ice baffle (item 3) into the lid assembly (item1) (Figures 1).

IMPORTANT: The baffle prevents ice from over-filling the manual fill area during agitation/dispensing with a full storage bin and forcing the manual fill cover off.

3. Place the sealing washers (item 10) over the studs and flat washers (item 11) then fasten in place with the nylon acorn nuts (item 9).
4. Set the lid assembly onto the dispenser. Using the slotted holes on the side of the lid as a template, drill four (4) 9/64" diameter holes at the bottom of the slots (Figure 2).

Note: Use extreme care not to drill into the hopper. Use a drill stop to ensure that the drill bit does not penetrate deeper than 1/4" past the sheet metal. Failure to do so could result in a hole in the hopper, greatly reducing the efficiency of both the dispenser and ice maker.

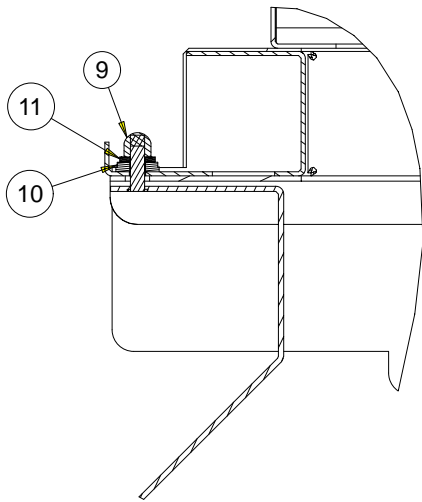
5. Fasten the lid to the dispenser with four (4) #8 sheet metal screws (item 6), two on each side.
6. Seal the ice maker to the top of the dispenser as follows:
 - A. Remove the ice maker front panel.
 - B. Position the ice maker base on the gasket (item 7) located on the lid assembly.

IMPORTANT: Do not slide the ice maker into position on the lid.

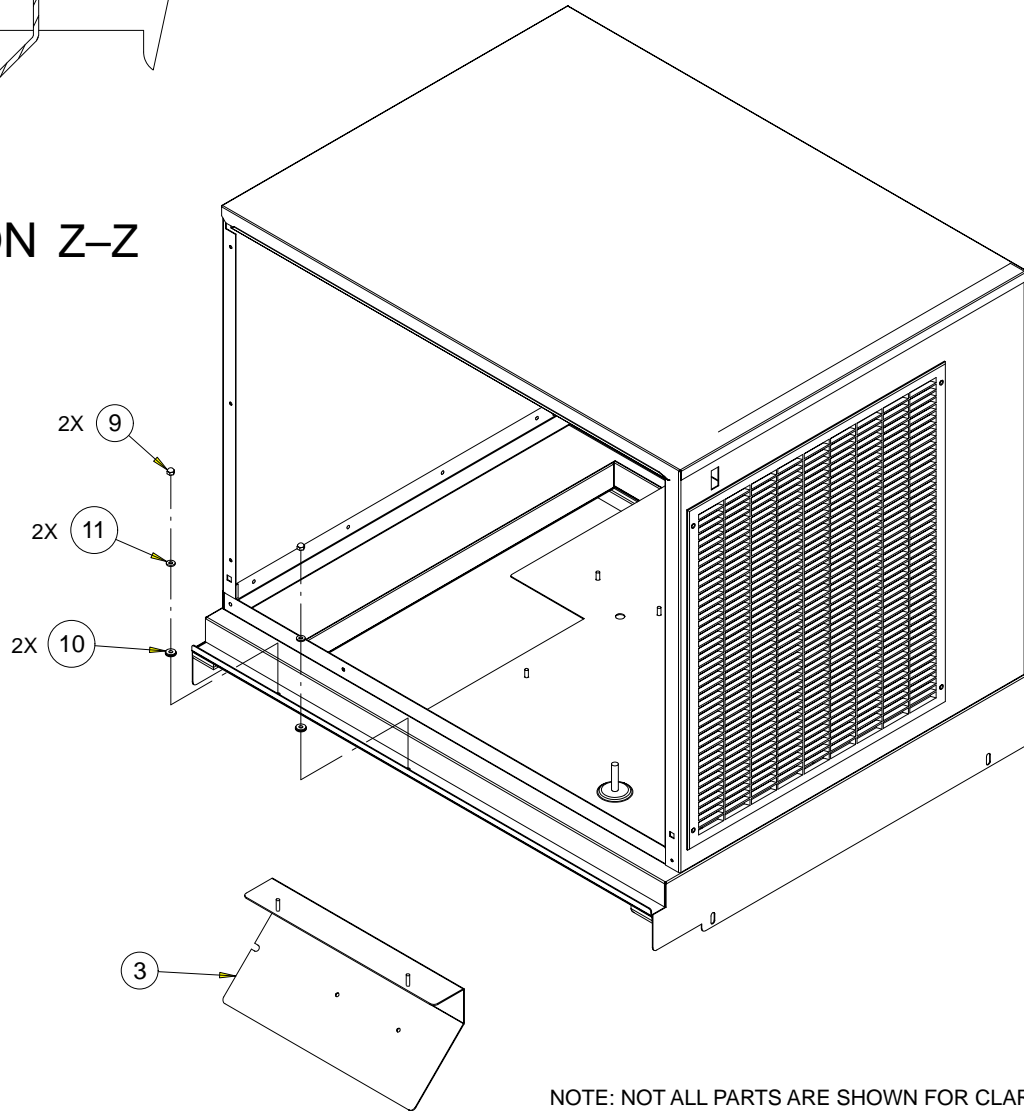
- C. Lift and set the ice maker base onto the lid to avoid damaging the gasket seal.
7. Install the brackets (item 5) on either the rear corners or on the back of the ice maker, using the brackets as a template. Use care not to drill into any ice maker components (condenser, tubing, etc.) or into the ice hopper. Be sure to overlap the lid assembly with the brackets, installing screws in both the lid assembly and ice maker.
8. Install the wireform bracket supplied with the bin-stat kit (item 4) through the 5/8" diameter hole in the bottom of the ice maker, wrapping the eye of the wireform over the stud near the hole in the ice maker and secure with the 8-32 nut provided (Figure 3). Feed the bin-stat cap tube through the hole to the end of the wireform bracket and wrap the tube around the end of the bracket several times, insuring that the tube is secure.

Note: The bin-stat must not interfere with the agitator rotation not be in the path of the ice falling from the ice maker. If so, bend the bracket out of the way.

9. Apply the label (item 8) on the front of the cover.



SECTION Z-Z
SCALE 0.500



NOTE: NOT ALL PARTS ARE SHOWN FOR CLARITY.

FIGURE 1. PARTS

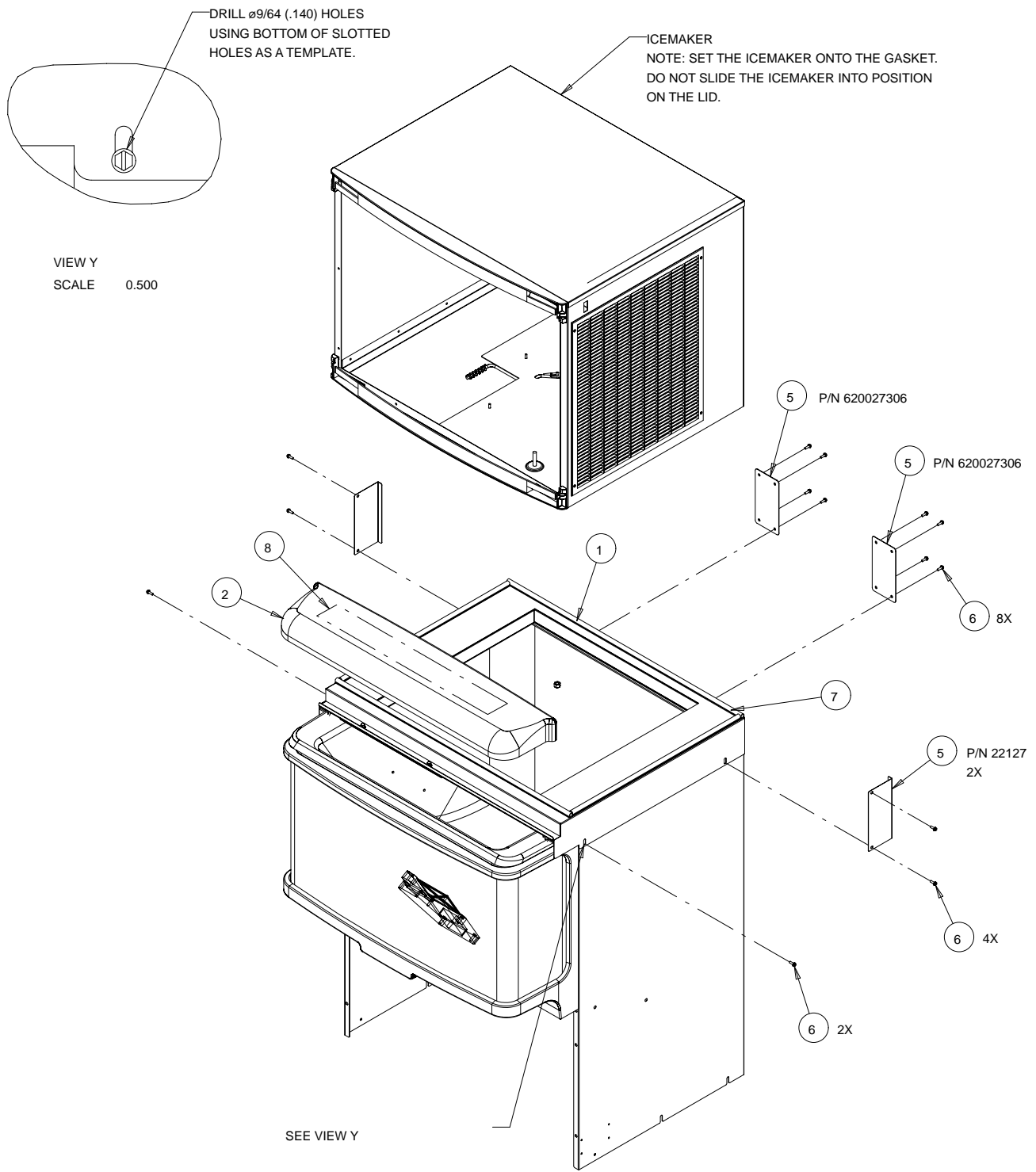


FIGURE 2. DISPENSER ASSEMBLY
NOTE: ITEM 5—USE EITHER P/N 620027306
OR P/N 22127

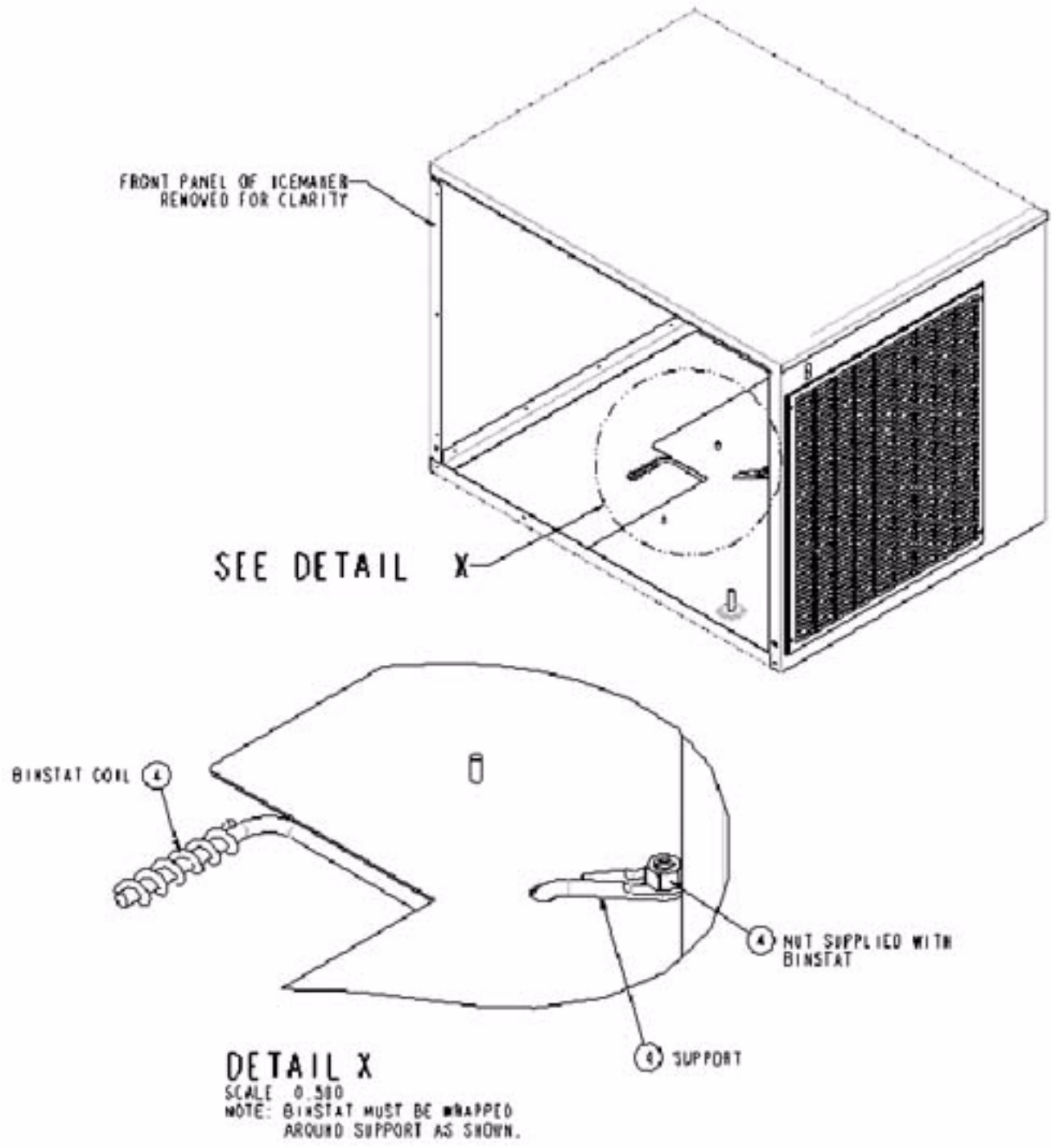


FIGURE 3. BINSTAT LOCATION