



INSTALLATION INSTRUCTIONS

ED2XX 30" CCM330/430/530/630/830/1030 NORDIC BLACK/GRAY STYLE LID KITS

This Nordic style kit applies to the Cornelius 30" wide CCM322/522 ice maker.

Item No.	Part No.	Name	Qty.
1	53003	Cover, Gray	1
	52969	Cover, Black	
2	15537	Lid Assembly	1
3	29565	Bracket	2
4	70217	#8 Screw	6
5	50904	RTV	1
6	90221	Label	1
7	620204731INS	Installation Instructions	1
8	620701902	Acorn Nut, 8--32 Nylon	2
9	620701901	Sealing Washer	2
10	620037003	Baffle, Ice	1
11	621701903	#8 Nylon Washer	2
12	620505802	Insulation Strip	1
13	630500109	Bin Stat	1

CAUTION: Disconnect electrical power to the dispenser before proceeding with the icemaker adapter kit installation.

1. Unpack Kit.
2. Place insulation strip (item 12) over studs on the baffle and insert baffle assembly into the adapter lid.
3. Place (2) sealing washers (item 9) over studs and (2) flat washers (item 11), then fasten in place with (2) plastic acorn nuts (item 8)
4. Set icemaker lid on the top of the dispenser.
5. Using the slotted holes in the lid as a template, drill four (4) .140_ diameter (9/64_) holes at the bottom of the slots (see detail A). Use extreme care not to drill into the hopper. Fasten the lid to the dispenser with four (4) #8 sheet metal screws, two on each side.
6. Seal the icemaker to the top of the dispenser as follows:
 - A. Run beads of RTV around the opening in the lid and inside of the perimeter of the icemaker outline so that the icemaker will set on the RTV.
 - B. Set the icemaker onto the lid and position it as required.
 - C. Wipe away the excess RTV.
7. Drill 9/64" diameter holes into the icemaker cabinet using the bracket as a template. Use extreme care not to drill into any icemaker components (condenser, tubing, etc.). Secure the brackets using the screws provided.
8. Install the wire form bracket, supplied with the bin stat kit (item 4), through the 5/8" diameter hole in the bottom of the ice maker. Wrap the eye of the wireform over the stud near the hole to the end of the wireform bracket and wrap the tube around the end of the bracket several times, insuring the tube is secure.

NOTE: The bin stat must not interfere with the agitator rotation or in the path of ice falling from the icemaker. If it interferes with the agitator or in the path of ice, bend the bracket out of the way.

9. If the plastic acorn nuts interfere with the positioning of the plastic manual fill cover, it may be necessary to make small notches in the back of the cover to clear the acorn nuts.
10. The unit is now ready for operation.

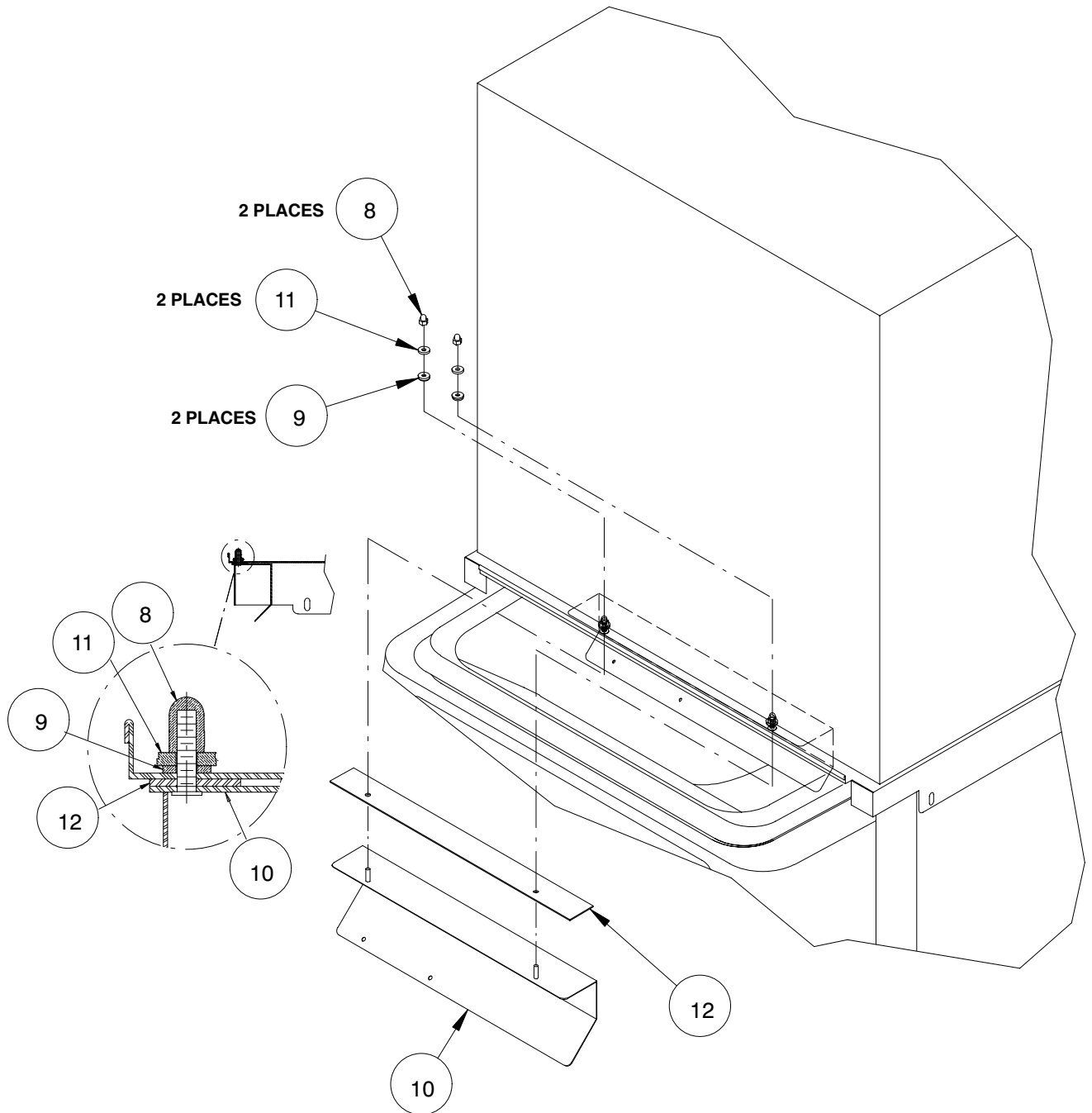


FIGURE 1. ED2XX Kit

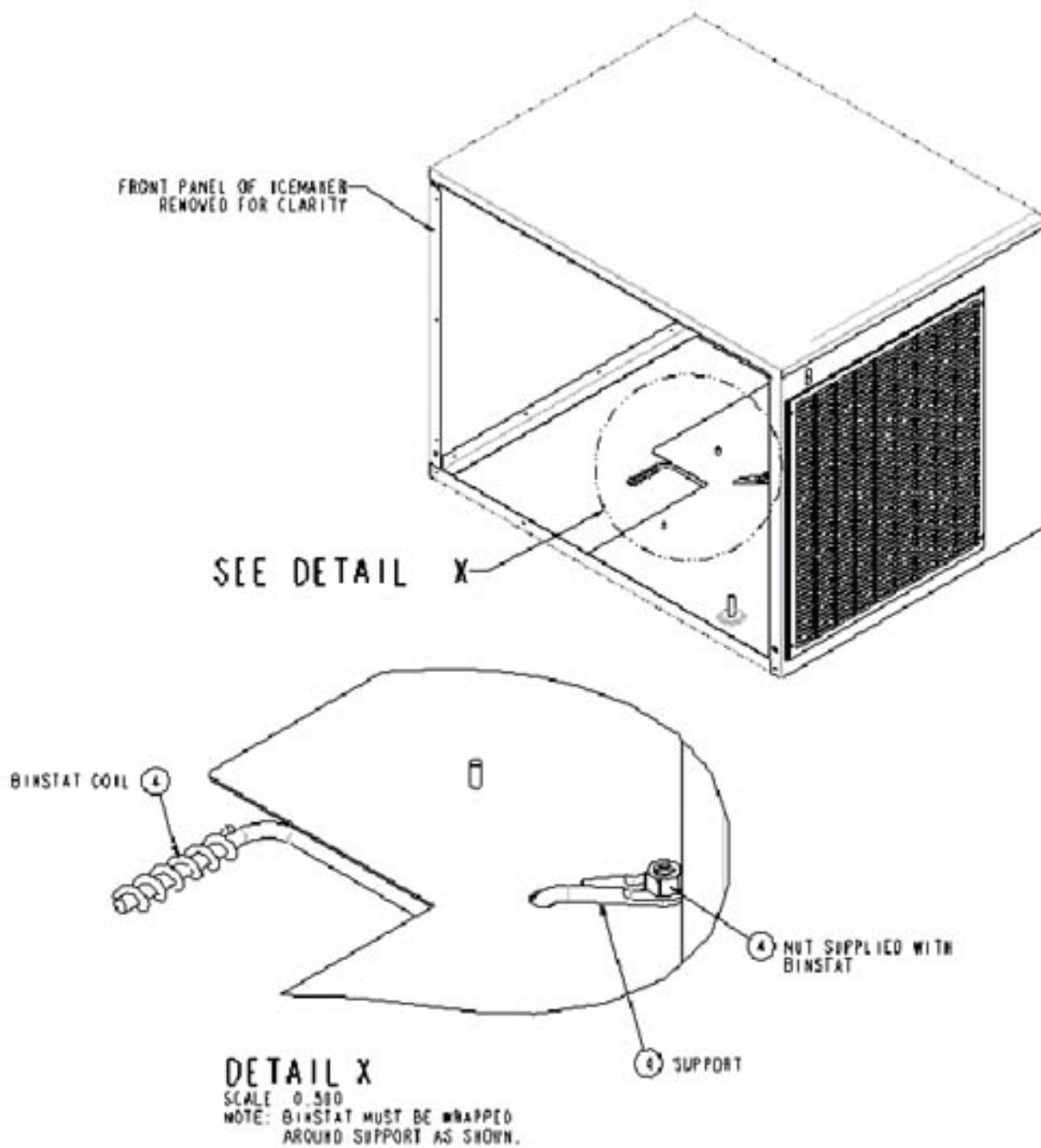


FIGURE 3. Bin Stat