



IMI CORNELIUS INC.  
 One Cornelius Place  
 Anoka, MN 55303-6234  
 Telephone (800) 238-3600  
 Facsimile (763) 422-3246

# INSTALLATION INSTRUCTIONS

## FOR KIT PART NUMBERS 08027 AND 08030

FOR MODEL ED300 DISPENSER AND THE FOLLOWING 30" WIDE ICEMAKER MODEL SERIES:

MANITOWOC QQ1400C, Q-DUAL  
 SCOTSMAN CME 806/865/1002/1056

Table 1. Loose-Shipped Parts

Item No.	Part No.	Name	Qty.
1	29505	Lid Assembly	1
2	22127	Icemaker Mounting Bracket	2
3	50904	RTV. 3Oz Tube	1
4	52946	Manual Ice Fill Cover – Black (08027)	1
	52964	Manual Ice Fill Cover – Gray (08030)	
5	91957	Label, "Disconnect Power Before Cleaning"	1
6	620042919	ED300 Ice Baffle	1
7	620701601	#10 x 1/2" LG. Sheetmetal Screw	12
8	620701902	#8-32 Nylon Acorn Nut	4
9	620701901	Sealing Washer	4
10	620701903	#8 Nylon Washer	4
11	92254	Installation Instructions	1



**WARNING:** The dispenser must be secured with 3/8-16 bolts (6) to the counter before installing this icemaker adapter kit. Refer to the installation manual and figure 2 for the counter mounting template.



**CAUTION:** Disconnect electrical power to the dispenser before proceeding with this installation.

**NOTE:** Adjust the automatic agitation timer located in the dispenser's electrical control box to 5 seconds on, 20 minutes off. Access to the timer is provided by removing the merchandiser/upper front panel.

1. Remove the top plastic bin covers (2) from the dispenser

2. Place the icemaker adapter lid assembly (item 1) on top of the dispenser and position it flush with the rear and sides of the dispenser as shown in Figure 1.
3. Install the ice baffle on the lid assembly as shown in Figure 3.

**IMPORTANT: The baffle prevents ice from over-filling the manual fill area during agitation/dispensing with a full storage bin and forcing the manual fill cover off.**

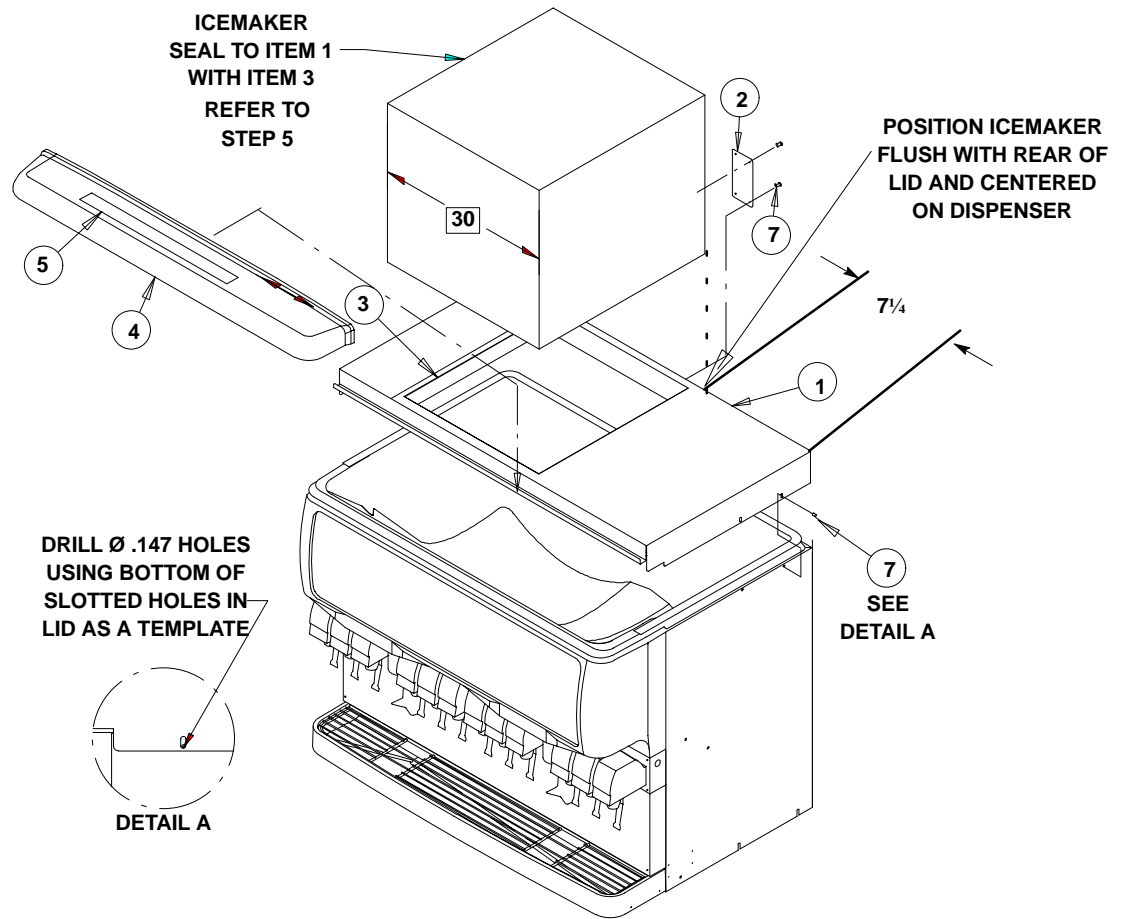
4. Using the slotted holes in the lid as a template, drill (4) .147 diameter holes (#26 drill) at the bottom of the slots (see Figure 1 Detail A). **BE CAREFULLY NOT TO DRILL INTO THE ICE STORAGE BIN.** Secure the lid to the dispenser with (4) #10 sheetmetal screws.
5. Seal the icemaker to the dispenser lid as follows (see Figure 1).
  - A. Run beads of RTV around the opening in the lid and inside of the perimeter of the ice maker outline so that the ice maker will set on the RTV.
  - B. Set the ice maker onto the lid and position it as shown in Figure 1.
  - C. Wipe away the excess RTV.
6. Drill .147 diameter holes into the ice maker cabinet and the dispenser lid using the icemaker mounting brackets as templates. **USE CAUTION SO AS NOT TO DRILL INTO ANY ICEMAKER COMPONENTS (CONDENSER, TUBING, ETC.).** Secure the brackets using the #10 sheetmetal screws provided.
7. Follow the icemaker manufacturer's instructions to complete the installation of the ice maker including the bin thermostat if so equipped or required.

**IMPORTANT: For Scotsman CM series icemakers with sonic ice level control, Bin Thermostat Kit KSB1 must be ordered with the icemaker.**

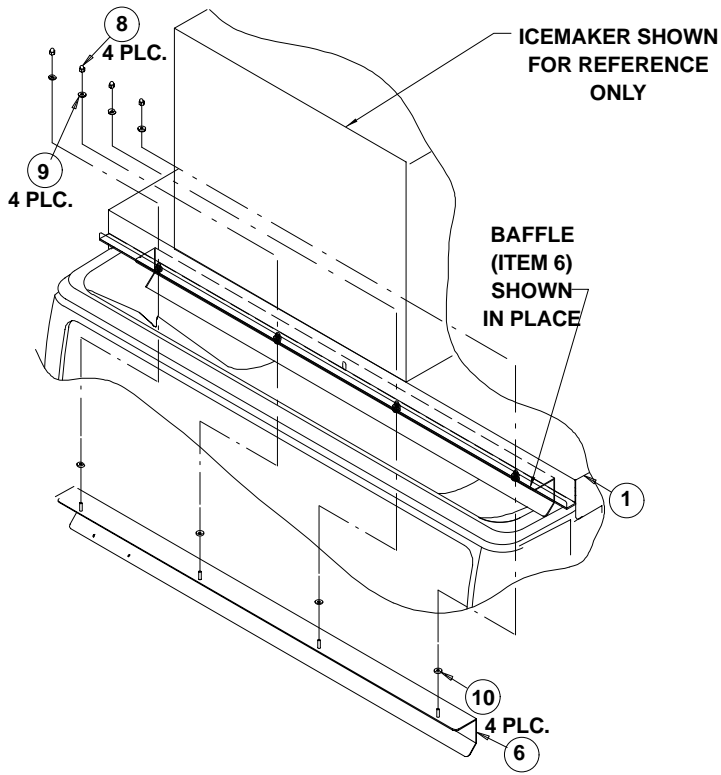


**CAUTION: The bin thermostat location must not interfere with agitator rotation.**

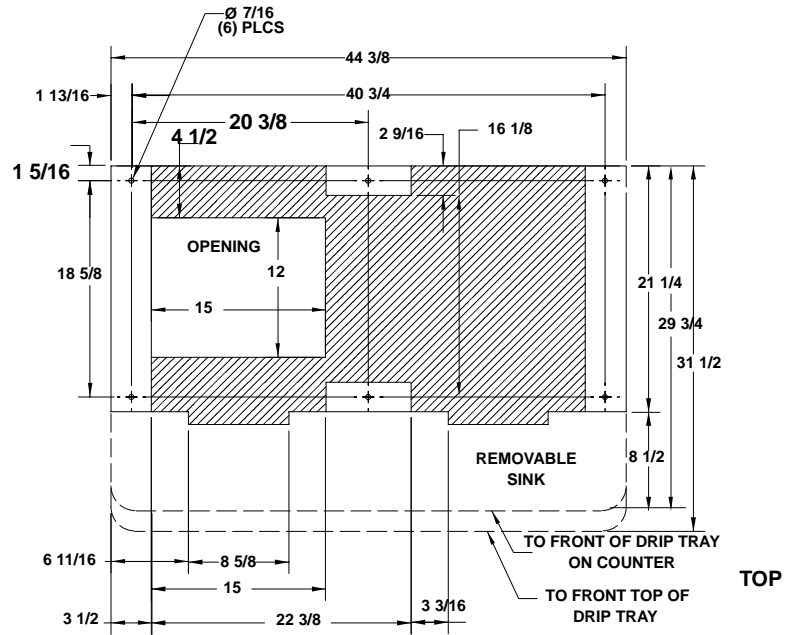
8. Locate the cleaning caution label (item 5) on the manual ice fill cover (item 4) as shown in Figure 1. Place the manual fill cover in position over the flange on the lid assembly and the front access hopper opening.



**FIGURE 1. DISPENSER**



**FIGURE 2. ED300 BAFFLE KIT**



RECOMMENDED COUNTER OPENING SIZE 12" X 15"  
 FOR UTILITIES AND BEVERAGE TUBING. OPENING  
 CAN BE LOCATED ANYWHERE WITHIN THE SHADED  
 AREA.

FIGURE 3. MOUNTING TEMPLATE