

RANGE COMPOSITION

N 900: a range of over 150 models for the professional caterer designed to guarantee the highest level of performance, reliability, energy saving, safety standards and ergonomic operation. These concepts are reflected in the total modularity of the range that ensures innumerable configurations, either free-standing, bridged or cantilever. N900 demonstrates how advanced technology can satisfy the needs of the professional caterer.

The models detailed on this sheet are 23 litre- high productivity fryers in gas version.



Model 200355

N 900

GAS HIGH PRODUCTIVITY FRYERS - 23 LT ZANUSSI PROFESSIONAL

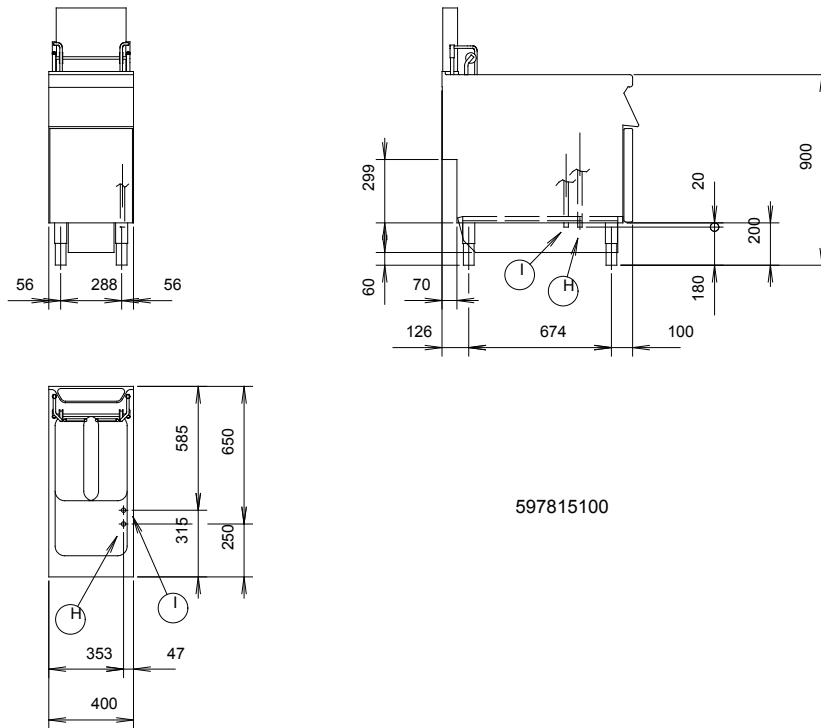
FUNCTIONAL AND CONSTRUCTION FEATURES

- ◆ Burners with optimized combustion, flame failure device and protected pilot light.
- ◆ Working temperature from 110°C to 185°C.
- ◆ Appliances are supplied for use with natural gas, with LPG conversion jets supplied as standard.
- ◆ All models have right-angled side edges to allow flush-fitting joins between units, eliminating gaps and possible dirt traps.
- ◆ Additional overheat safety thermostat.
- ◆ Worktop in 20/10 stainless steel. Front and side panels in stainless steel with Scotch Brite finish.
- ◆ Oil drainage via a tap into a drainage positioned under the well thus simplifying the consumed oil management and guaranteeing the operator safety.
- ◆ Integrated oil filtering system for model NFRG435.
- ◆ Oil circulation through a specific pump for model NFRG435
- ◆ Feet in stainless steel 50 mm adjustables in height.
- ◆ Door with handles in stainless steel.
- ◆ Main connections can be via the base of the unit.

Productivity

- ◆ 45 kg/h of frozen French fries.
- ◆ 30,6 kg/h of defrosted calamari rings.

TECHNICAL DATA		
CHARACTERISTICS	MODELS	
	NFRG430 200351	NFRG435 200355
Power supply	Gas	Gas
External dimensions - mm		
width	400	400
depth	900	900
height	1200	1200
height adjustment	50	50
N° of wells	1	1
Usable well dimensions - mm		
width	340	340
depth	400	400
height	575	575
Thermostatic	●	●
Thermocouple safety valve	●	●
Temperature limiter	●	
Maximum Well Capacity -lt	21, 23	21, 23
Power - kW		
gas	25	25
Power - kW		
installed-electric	0.3	0.3
Net weight - kg.	86	86
Supply voltage	230 V, 1N, 50/60	230 V, 1N, 50/60
Oil filtering system		●
INCLUDED ACCESSORIES		
2 HALF SIZE BASKETS FOR HD FRYERS	1	1
OIL FILTER FOR FRYERS		1
RIGHT SIDE DOOR FOR OPEN BASE CUPBOARD	1	1



LEGEND

	NFRG430 200351	NFRG435 200355
H - Gas connection	3/4"	3/4"
I - Electrical connection	230 V, 1N, 50/60	230 V, 1N, 50/60

OPTIONAL ACCESSORIES

ACCESSORIES	MODELS	
	NFRG430 200351	NFRG435 200355
1 FULL SIZE BASKET FOR HD 900 FRYERS	927226	927226
2 HALF SIZE BASKETS FOR HD FRYERS	927223	927223
2 SIDE COVERING PANELS FOR TOP-D=900MM	206278	206278
2 SIDE COVERING PANELS H=700 D=900	206134	206134
2 SIDE KICKING STRIPS	206180	206180
2 SIDE KICKING STRIPS F.CONCRETE INSTAL.	206157	206157
4 FEET FOR CONCRETE INSTALLATION	206210	206210
CHIMNEY UPSTAND 400MM	206303	206303
DEFLECTOR FOR FLOURED PRODUCTS-23L FRYER	960645	960645
EXTENSION FOR OIL DRAINAGE	206209	206209
FRONT.KICK.STRIP F.CONCRETE INST.1000 MM	206150	206150
FRONT.KICK.STRIP F.CONCRETE INST.1200 MM	206151	206151
FRONT.KICK.STRIP F.CONCRETE INST.1600 MM	206152	206152
FRONT.KICK.STRIP F.CONCRETE INST.200 MM	206146	206146
FRONT.KICK.STRIP F.CONCRETE INST.400 MM	206147	206147
FRONT.KICK.STRIP F.CONCRETE INST.800 MM	206148	206148
FRONTAL HANDRAIL 1200 MM	206191	206191
FRONTAL HANDRAIL 1600 MM	206192	206192
FRONTAL HANDRAIL 400 MM	206166	206166
FRONTAL HANDRAIL 800 MM	206167	206167
FRONTAL KICKING STRIP 1000 MM	206177	206177
FRONTAL KICKING STRIP 1200 MM	206178	206178
FRONTAL KICKING STRIP 1600 MM	206179	206179
FRONTAL KICKING STRIP 200 MM	206174	206174
FRONTAL KICKING STRIP 400 MM	206175	206175
FRONTAL KICKING STRIP 800 MM	206176	206176
FRONTAL KICKING STRIP FOR 23 LT FRYER	206203	
HYGIENIC LID FOR 23 LT FRYERS	206201	206201
JUNCTION SEALING KIT	206086	206086
LARGE HANDRAIL(PORIONING SHELF)400 MM	206185	206185
LARGE HANDRAIL(PORIONING SHELF)800 MM	206186	206186
LEFT SIDE DOOR FOR OPEN BASE CUPBOARD	206195	206195
OIL FILTER FOR FRYERS	206143	206143
PAIR OF COVERING STRIPS FOR END ELEMENTS	206234	206234
PRESSURE REGULATOR FOR GAS UNITS	927225	927225
RIGHT SIDE DOOR FOR OPEN BASE CUPBOARD	206194	206194
SEDIMENT TRAY FOR 23 LT FRYER	206173	206173
SIDE HANDRAIL-RIGHT/LEFT HAND	206165	206165
SUPPORT FOR "BRIDGE" SYSTEM 1000 MM	206138	206138
SUPPORT FOR "BRIDGE" SYSTEM 1200 MM	206139	206139
SUPPORT FOR "BRIDGE" SYSTEM 1400 MM	206140	206140
SUPPORT FOR "BRIDGE" SYSTEM 1600 MM	206141	206141
SUPPORT FOR "BRIDGE" SYSTEM 400 MM	206154	206154
SUPPORT FOR "BRIDGE" SYSTEM 800 MM	206137	206137
UNCLOGGING ROD F.23LT FRYER DRAIN.PIPE	927227	927227



www.zanussiprofessional.com