

RANGE COMPOSITION

N 700: a range of over 100 models for the professional caterer designed to guarantee the highest level of performance, reliability, energy saving, safety standards and ergonomic operation. These concepts are reflected in the total modularity of the range that ensures numerous configurations, either free-standing or bridged. N 700 demonstrates how advanced technology can satisfy the needs of the professional caterer. The models detailed on this sheet are 7 litres fryers in gas version with one or two wells.



178113

N 700

GAS FRYERS - 7 LT ZANUSSI PROFESSIONAL

FUNCTIONAL AND CONSTRUCTION FEATURES

- ◆ Stainless steel burners with optimized combustion, flame failure device and protected pilot light.
- ◆ Working temperature from 105°C to 185°C.
- ◆ Additional overheat safety thermostat.
- ◆ The "V" shaped wells have the burners attached to the outside allowing an increased life of the oil, greater productivity and an easier cleaning.
- ◆ All models have right-angled side edges to allow flush-fitting joins between units, eliminating gaps and possible dirt traps.
- ◆ Worktop in 1,5mm stainless steel. Front panel in stainless steel with Scotch Brite finish.
- ◆ Feet in stainless steel adjustable in height 50mm.
- ◆ Doors with handles in stainless steel.
- ◆ Oil drainage via a tap into a

drainage container positioned under the well thus simplifying the consumed oil management and guaranteeing the operator safety (freestanding models).

TECHNICAL DATA				
CHARACTERISTICS	MODELS			
	KFRG481T 178110	KFRG831T 178111	KFRG481 178112	KFRG831 178113
Power supply	Gas	Gas	Gas	Gas
External dimensions - mm				
width	400	800	400	800
depth	700	700	700	700
height	250	250	850	850
height adjustment			50	50
N° of wells	1	2	1	2
Usable well dimensions - mm				
width	240	240	240	240
depth	380	380	380	380
height	235	235	235	235
Temperature limiter	●	●	●	●
Thermostat range (min-max) - °C	105, 185	105, 185	105, 185	105, 185
Maximum Well Capacity -lt	5.5, 7	5.5, 7	5.5, 7	5.5, 7
Power - kW				
gas	7	14	7	14
Net weight - kg.	30	60	40	50
INCLUDED ACCESSORIES				
BASKET FOR 7 LT FRYERS	1	2	1	2
LEFT SIDE DOOR FOR OPEN BASE CUPBOARD				1
RIGHT SIDE DOOR FOR OPEN BASE CUPBOARD			1	1

- ◆ Oil drainage via tap on front for table-top models.
- ◆ IPX4 water protection.

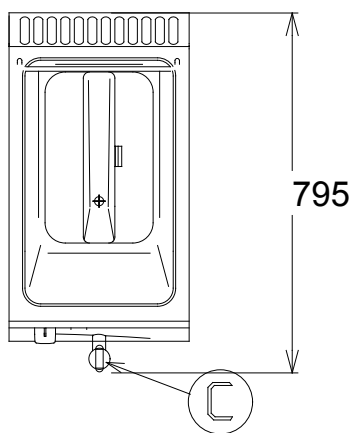
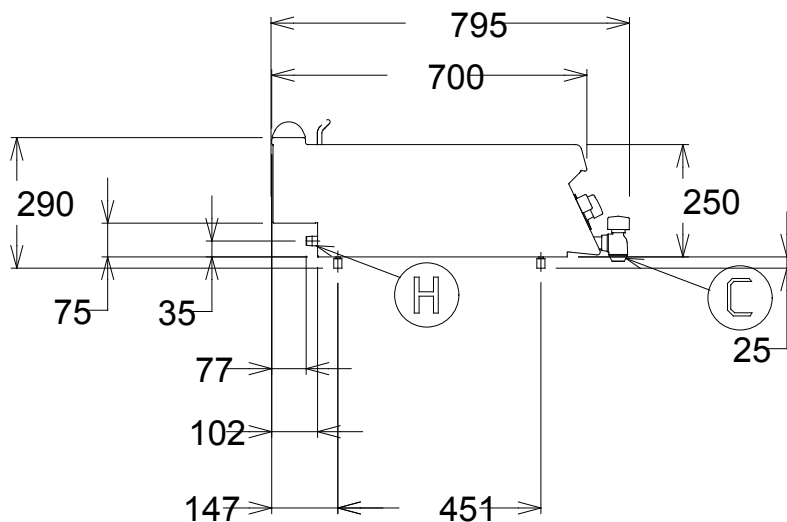
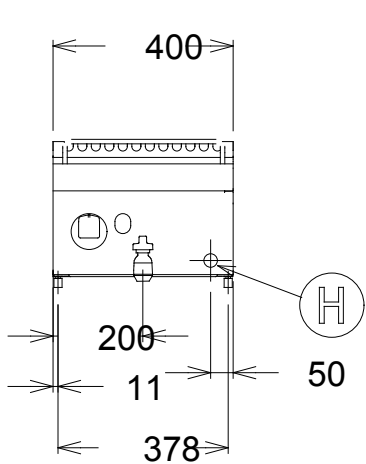
- ◆ Main connections can be via the rear or the base of the unit.
- ◆ All models can be easily mounted on open base cupboards or bridging supports.

- ◆ All top models provided with service duct to facilitate installation.
- ◆ Appliances are supplied for use with natural gas or LPG. Conversion jets supplied as standard.

OPTIONAL ACCESSORIES				
ACCESSORIES	MODELS			
	KFRG481T 178110	KFRG831T 178111	KFRG481 178112	KFRG831 178113
2 SIDE COVERING PANELS FOR TOP-D=700MM	206277	206277	206277	206277
2 SIDE COVERING PANELS H=700 D=700			206000	206000
2 SIDE KICKING STRIPS-CONCRETE INSTALL.			206265	206265
4 FEET FOR CONCRETE INSTALLATION			206210	206210
BASKET FOR 7 LT FRYERS	921608	921608	921608	921608
CHIMNEY COVER 400MM OPEN	206284		206284	
CHIMNEY COVER 800MM OPEN-LARGE CHIMNEY		206273		206273
CHIMNEY UPSTAND 400MM	206303		206303	
CHIMNEY UPSTAND 800MM		206304		206304
DRAUGHT DIVERTER WITH 120 MM DIAMETER				206126
FILTER FOR FRYER OIL COLLECTION BASIN				921693
FLANGED FEET KIT			206136	206136
FLUE CONDENSER				206246
FRONT.KICK.STRIP F.CONCRETE INST.1000 MM			206150	206150
FRONT.KICK.STRIP F.CONCRETE INST.1200 MM			206151	206151
FRONT.KICK.STRIP F.CONCRETE INST.1600 MM			206152	206152
FRONT.KICK.STRIP F.CONCRETE INST.200 MM			206146	206146
FRONT.KICK.STRIP F.CONCRETE INST.400 MM			206147	206147
FRONT.KICK.STRIP F.CONCRETE INST.800 MM			206148	206148
FRONTAL HANDRAIL 1200 MM	206191	206191	206191	206191
FRONTAL HANDRAIL 1600 MM	206192	206192	206192	206192
FRONTAL HANDRAIL 400 MM	206166	206166	206166	206166
FRONTAL HANDRAIL 800 MM	206167	206167	206167	206167
FRONTAL KICKING STRIP 1000 MM			206177	206177
FRONTAL KICKING STRIP 1200 MM			206178	206178
FRONTAL KICKING STRIP 1600 MM			206179	206179
FRONTAL KICKING STRIP 200 MM			206174	206174
FRONTAL KICKING STRIP 400 MM			206175	206175
FRONTAL KICKING STRIP 800 MM			206176	206176
LARGE HANDRAIL(PORTIONING SHELF)400 MM	206185	206185	206185	206185
LARGE HANDRAIL(PORTIONING SHELF)800 MM	206186	206186	206186	206186
LEFT SIDE DOOR FOR OPEN BASE CUPBOARD			206195	
PAIR OF SIDE KICKING STRIPS			206249	206249
PRESSURE REGULATOR FOR GAS UNITS	927225	927225	927225	927225
RIGHT AND LEFT SIDE HANDRAILS	206240	206240	206240	206240
SUPPORT FOR "BRIDGE" SYSTEM 1000 MM	206138	206138		
SUPPORT FOR "BRIDGE" SYSTEM 1200 MM	206139	206139		
SUPPORT FOR "BRIDGE" SYSTEM 1400 MM	206140	206140		
SUPPORT FOR "BRIDGE" SYSTEM 1600 MM	206141	206141		
SUPPORT FOR "BRIDGE" SYSTEM 400 MM	206154	206154		
SUPPORT FOR "BRIDGE" SYSTEM 800 MM	206137	206137		



www.zanussiprofessional.com



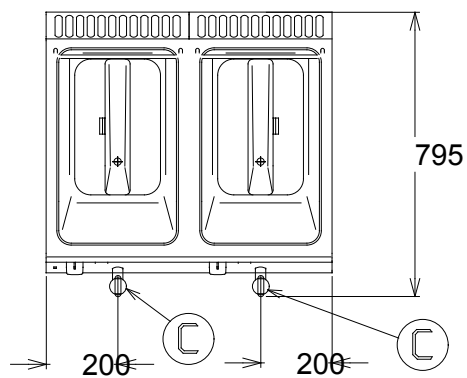
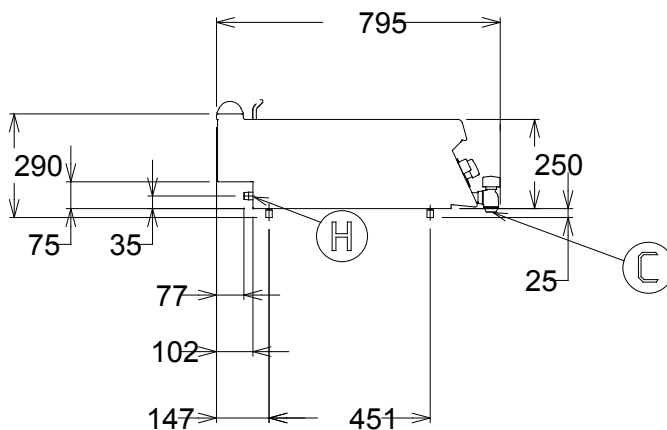
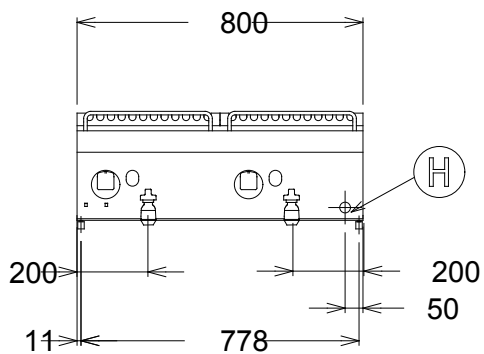
597827600

LEGEND

	KFRG481T 178110
H - Gas connection	1/2"



www.zanussiprofessional.com



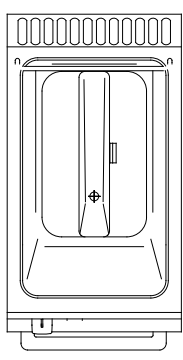
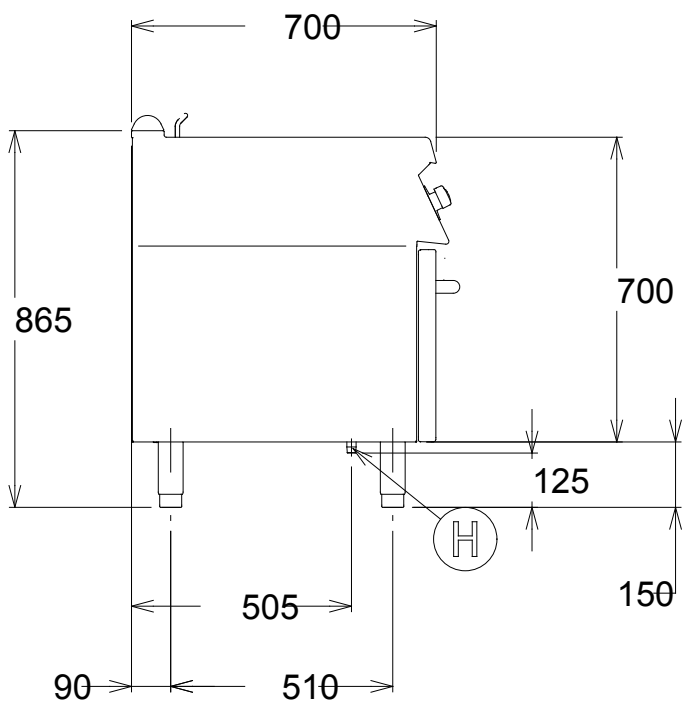
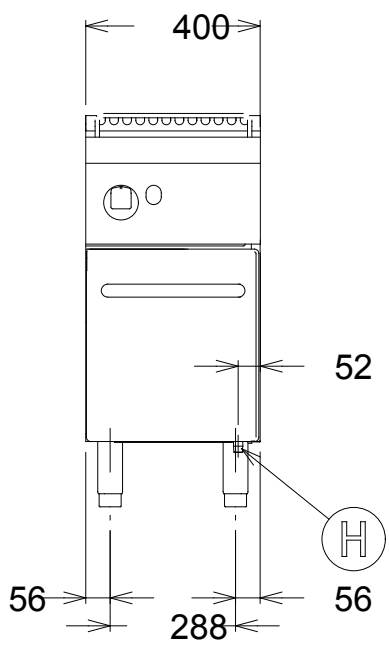
597827700

LEGEND

	KFRG831T 178111
H - Gas connection	1/2"



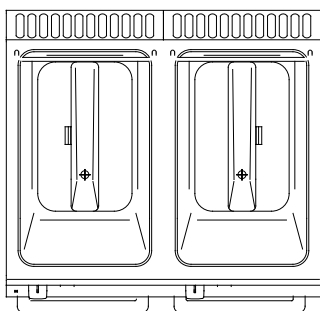
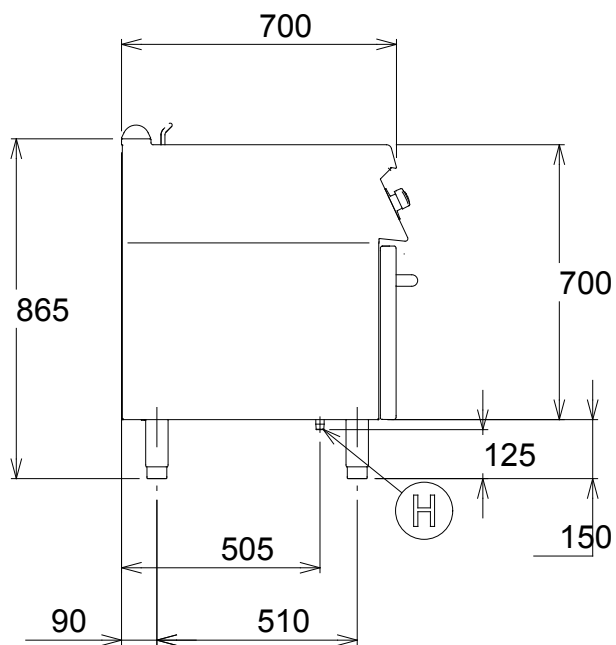
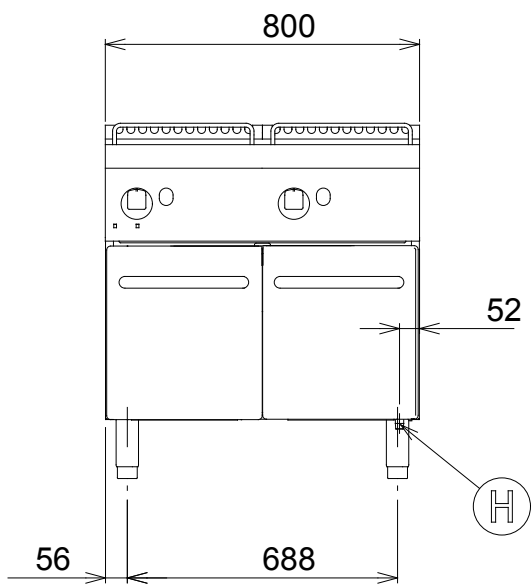
www.zanussiprofessional.com



597827800

LEGEND	
H - Gas connection	KFRG481 178112 1/2"





597827900

LEGEND

H - Gas connection

KFRG831
178113
1/2"



www.zanussiprofessional.com