

RANGE COMPOSITION

N 700: a range of over 100 models for the professional caterer designed to guarantee the highest level of performance, reliability, energy saving, safety standards and ergonomic operation. These concepts are reflected in the total modularity of the range that ensures numerous configurations, either free-standing or bridged. N 700 demonstrates how advanced technology can satisfy the needs of the professional caterer. The models detailed on this sheet are 7 litres electric fryers with one or two wells.



178118

N 700

ELECTRIC FRYERS - 7 LT ZANUSSI PROFESSIONAL

FUNCTIONAL AND CONSTRUCTION FEATURES

- ◆ Infrared high efficiency heating elements.
- ◆ Working temperature from 105°C to 185°C.
- ◆ Additional overheat safety thermostat.
- ◆ The "V" shaped wells have the heating elements attached to the outside allowing an increased life of the oil, greater productivity and an easier cleaning.
- ◆ All models have right-angled side edges to allow flush-fitting joins between units, eliminating gaps and possible dirt traps.
- ◆ Worktop in 1,5mm stainless steel. Front panel in stainless steel with Scotch Brite finish.
- ◆ Feet in stainless steel adjustable in height 50mm.
- ◆ Door with handles in stainless steel.
- ◆ Oil drainage via a tap into a drainage container positioned under

- the well thus simplifying the consumed oil management and guaranteeing the operator safety.
- ◆ Oil drainage via tap on front for

- table-top models.
- ◆ IPX4 water protection.

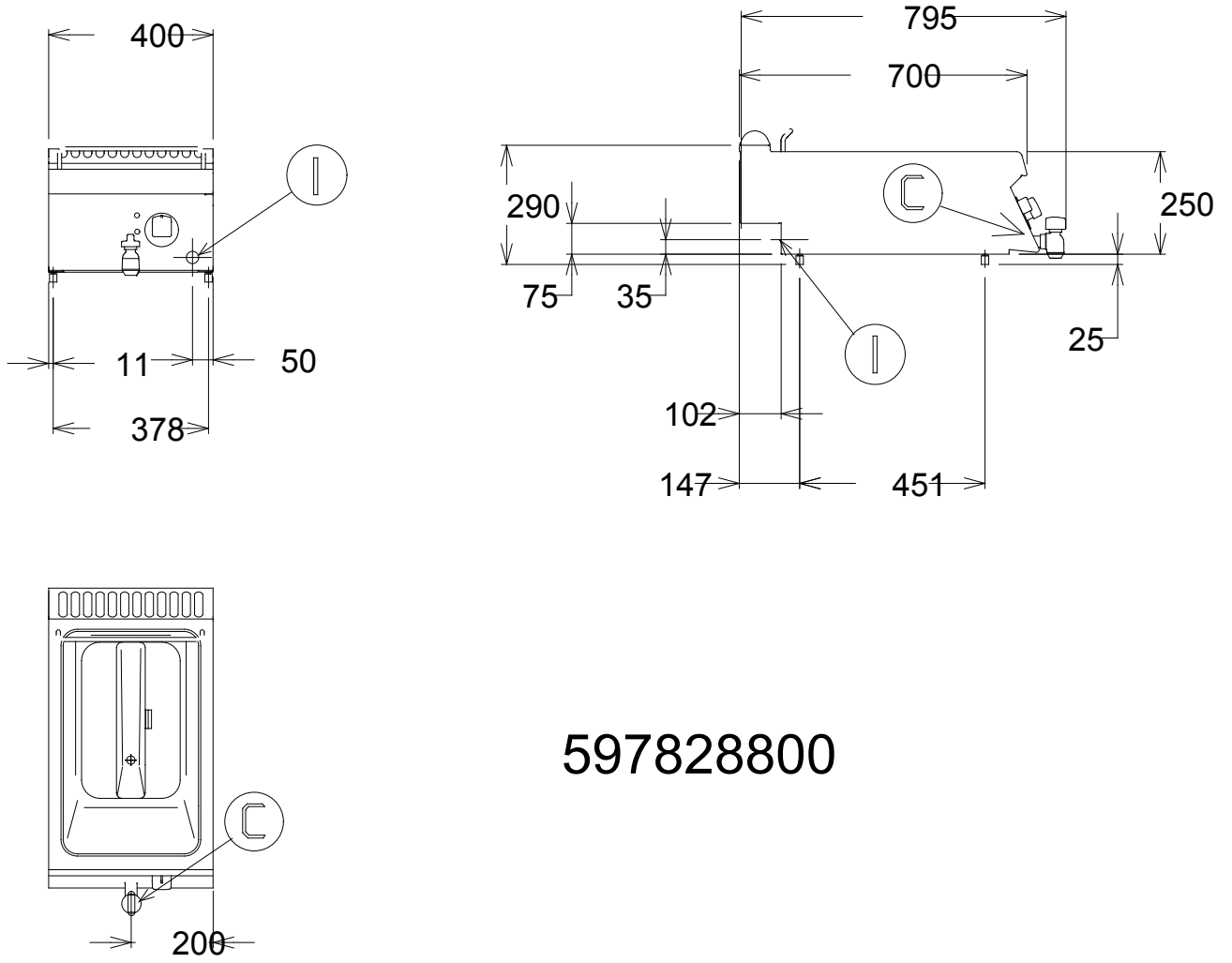
TECHNICAL DATA						
CHARACTERISTICS	MODELS					
	KFRE481T 178118	KFRE481T2 178131	KFRE831T 178119	KFRE481 178120	KFRE831 178121	KFRE831T 178132
Power supply	Electric	Electric	Electric	Electric	Electric	Electric
External dimensions - mm						
width	400	400	800	400	800	800
depth	700	700	700	700	700	700
height	250	250	250	850	850	850
height adjustment				50	50	50
N° of wells	1	1	2	1	2	2
Usable well dimensions - mm						
width	240	240	240	240	240	240
depth	380	380	380	380	380	380
height	235	235	235	235	235	235
Thermostatic	●	●	●	●	●	●
Temperature limiter	●	●	●	●	●	●
Maximum Well Capacity -lt	5.5, 7	5.5, 7	5.5, 7	5.5, 7	5.5, 7	5.5, 7
Power - kW						
installed-electric	5.4	5.4	10.8	5.4	10.8	10.8
Net weight - kg.	30	30	55	40	60	60
Supply voltage	400 V, 3N, 50/60	230 V, 3, 50/60	400 V, 3N, 50/60	400 V, 3N, 50/60	400 V, 3N, 50/60	230 V, 3, 50/60
INCLUDED ACCESSORIES						
BASKET FOR 7 LT FRYERS	1	1	2	1	2	2
LEFT SIDE DOOR FOR OPEN BASE CUPBOARD					1	1
RIGHT SIDE DOOR FOR OPEN BASE CUPBOARD				1	1	1

- ◆ Main connections can be via the rear or the base of the unit.
- ◆ All top models can be easily mounted on open base cupboards or bridging supports.
- ◆ All top models provided with service duct to facilitate installation.

OPTIONAL ACCESSORIES ACCESSORIES	MODELS					
	KFRE481T 178118	KFRE481T2 178131	KFRE831T 178119	KFRE481 178120	KFRE831 178121	KFRE8312 178132
2 SIDE COVERING PANELS FOR TOP-D=700MM	206277	206277	206277	206277	206277	
2 SIDE COVERING PANELS H=700 D=700				206000	206000	206000
2 SIDE KICKING STRIPS-CONCRETE INSTALL.				206265	206265	206265
4 FEET FOR CONCRETE INSTALLATION				206210	206210	206210
BASKET FOR 7 LT FRYERS	921608	921608	921608	921608	921608	921608
CHIMNEY COVER 400MM OPEN	206284	206284		206284		
CHIMNEY COVER 800MM OPEN-LARGE CHIMNEY			206273		206273	206273
CHIMNEY UPSTAND 400MM	206303	206303		206303		
CHIMNEY UPSTAND 800MM			206304		206304	206304
FILTER FOR FRYER OIL COLLECTION BASIN				921693	921693	921693
FLANGED FEET KIT				206136	206136	206136
FRONT.KICK.STRIP F.CONCRETE INST.1000 MM				206150	206150	206150
FRONT.KICK.STRIP F.CONCRETE INST.1200 MM				206151	206151	206151
FRONT.KICK.STRIP F.CONCRETE INST.1600 MM				206152	206152	206152
FRONT.KICK.STRIP F.CONCRETE INST.200 MM				206146	206146	206146
FRONT.KICK.STRIP F.CONCRETE INST.400 MM				206147	206147	206147
FRONT.KICK.STRIP F.CONCRETE INST.800 MM				206148	206148	206148
FRONTAL HANDRAIL 1200 MM	206191	206191	206191	206191	206191	206191
FRONTAL HANDRAIL 1600 MM	206192	206192	206192	206192	206192	206192
FRONTAL HANDRAIL 400 MM	206166	206166	206166	206166	206166	206166
FRONTAL HANDRAIL 800 MM	206167	206167	206167	206167	206167	206167
FRONTAL KICKING STRIP 1000 MM				206177	206177	206177
FRONTAL KICKING STRIP 1200 MM				206178	206178	206178
FRONTAL KICKING STRIP 1600 MM				206179	206179	206179
FRONTAL KICKING STRIP 200 MM				206174	206174	206174
FRONTAL KICKING STRIP 400 MM				206175	206175	206175
FRONTAL KICKING STRIP 800 MM				206176	206176	206176
LARGE HANDRAIL(PORTIONING SHELF)400 MM	206185	206185	206185	206185	206185	206185
LARGE HANDRAIL(PORTIONING SHELF)800 MM	206186	206186	206186	206186	206186	206186
LEFT SIDE DOOR FOR OPEN BASE CUPBOARD				206195		
PAIR OF SIDE KICKING STRIPS				206249	206249	206249
RIGHT AND LEFT SIDE HANDRAILS	206240	206240	206240	206240	206240	206240
SUPPORT FOR "BRIDGE" SYSTEM 1000 MM	206138	206138	206138			
SUPPORT FOR "BRIDGE" SYSTEM 1200 MM	206139	206139	206139			
SUPPORT FOR "BRIDGE" SYSTEM 1400 MM	206140	206140	206140			
SUPPORT FOR "BRIDGE" SYSTEM 1600 MM	206141	206141	206141			
SUPPORT FOR "BRIDGE" SYSTEM 400 MM	206154	206154	206154			
SUPPORT FOR "BRIDGE" SYSTEM 800 MM	206137	206137	206137			



www.zanussiprofessional.com



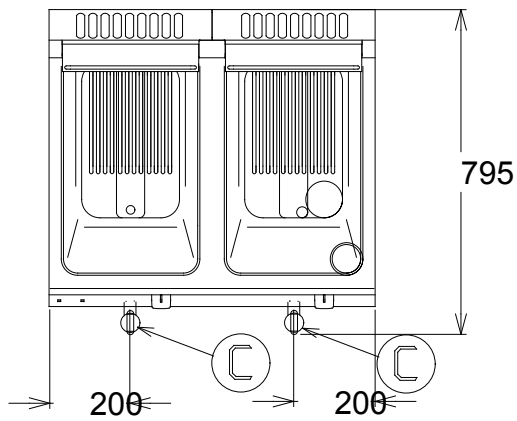
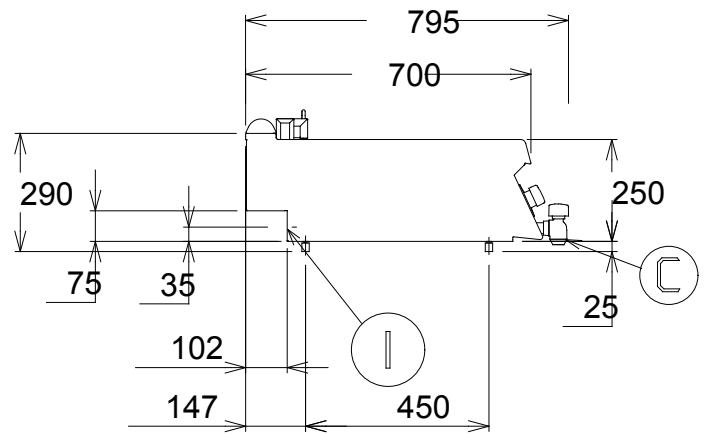
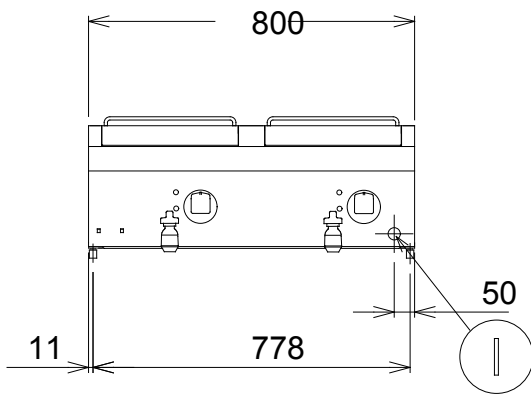
597828800

LEGEND

	KFRE481T 178118	KFRE481T2 178131
I - Electrical connection	400 V, 3N, 50/60	230 V, 3, 50/60



www.zanussiprofessional.com



597828900

LEGEND

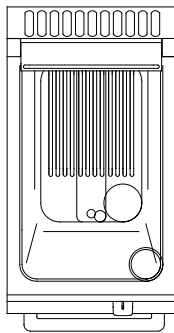
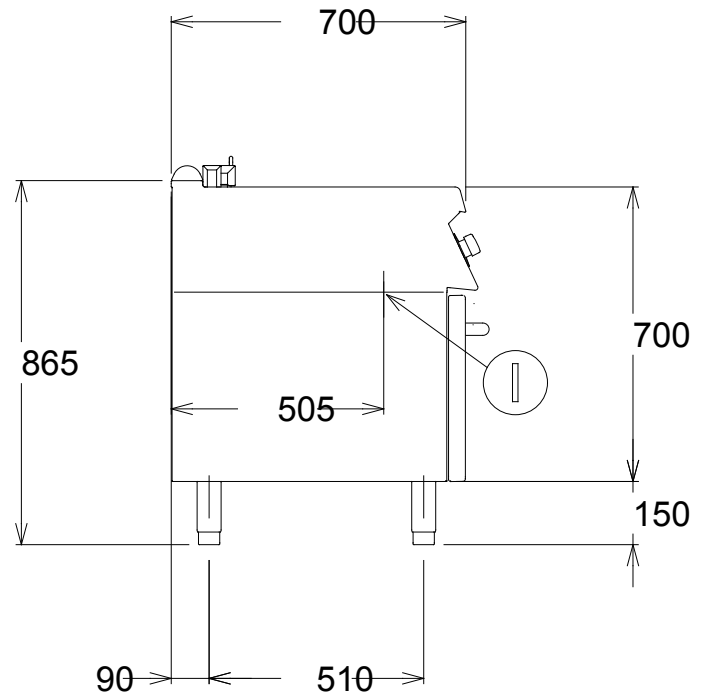
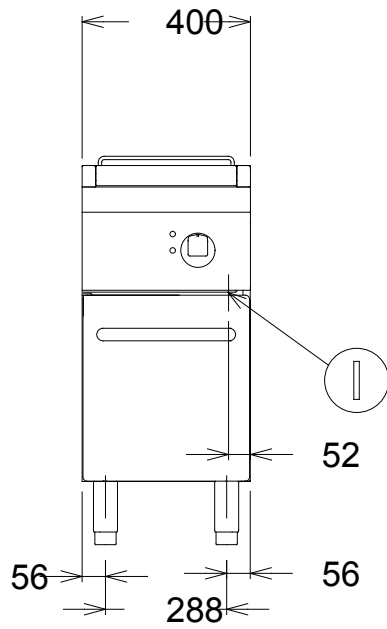
I - Electrical connection

KFRE831T
178119

400 V, 3N, 50/60



www.zanussiprofessional.com



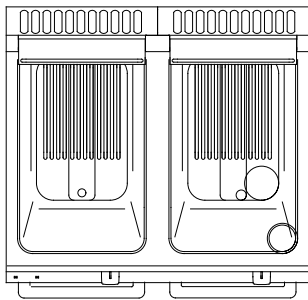
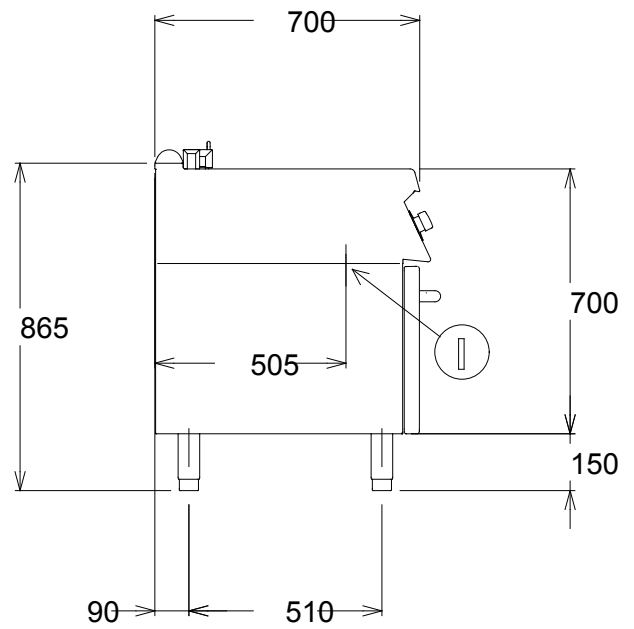
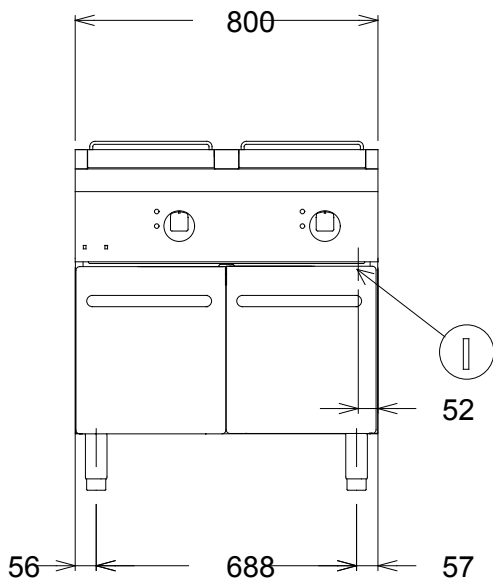
597829000

LEGEND

	KFRE481 178120
I - Electrical connection	400 V, 3N, 50/60



www.zanussiprofessional.com



597829100

LEGEND

	KFRE831 178121	KFRE8312 178132
I - Electrical connection	400 V, 3N, 50/60	230 V, 3, 50/60



www.zanussiprofessional.com