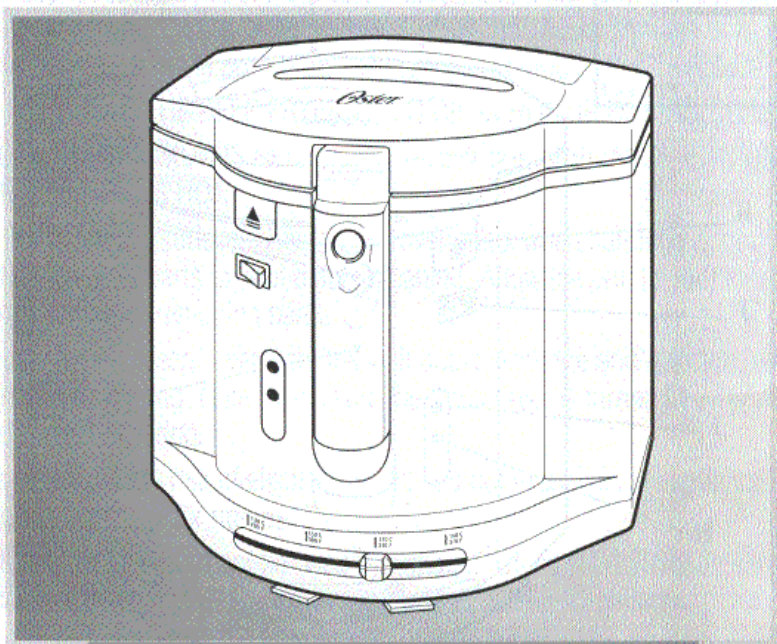


Oster®



MODEL/MODELO **3246**
MODEL/MODELO

**Instruction Manual and Recipe Booklet
FRYRIGHT™ DEEP FRYER**

**Mode d'Emploi et Livret de Recettes
FRITEUSE FRYRIGHT™**

**Manual de Instrucciones y Libro de Recetas
FREIDORA FRYRIGHT™**

**Manual de Instruções e Livro de Receitas
FRITADEIRA FRYRIGHT™**

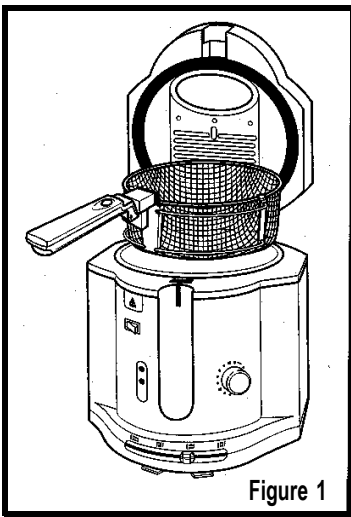
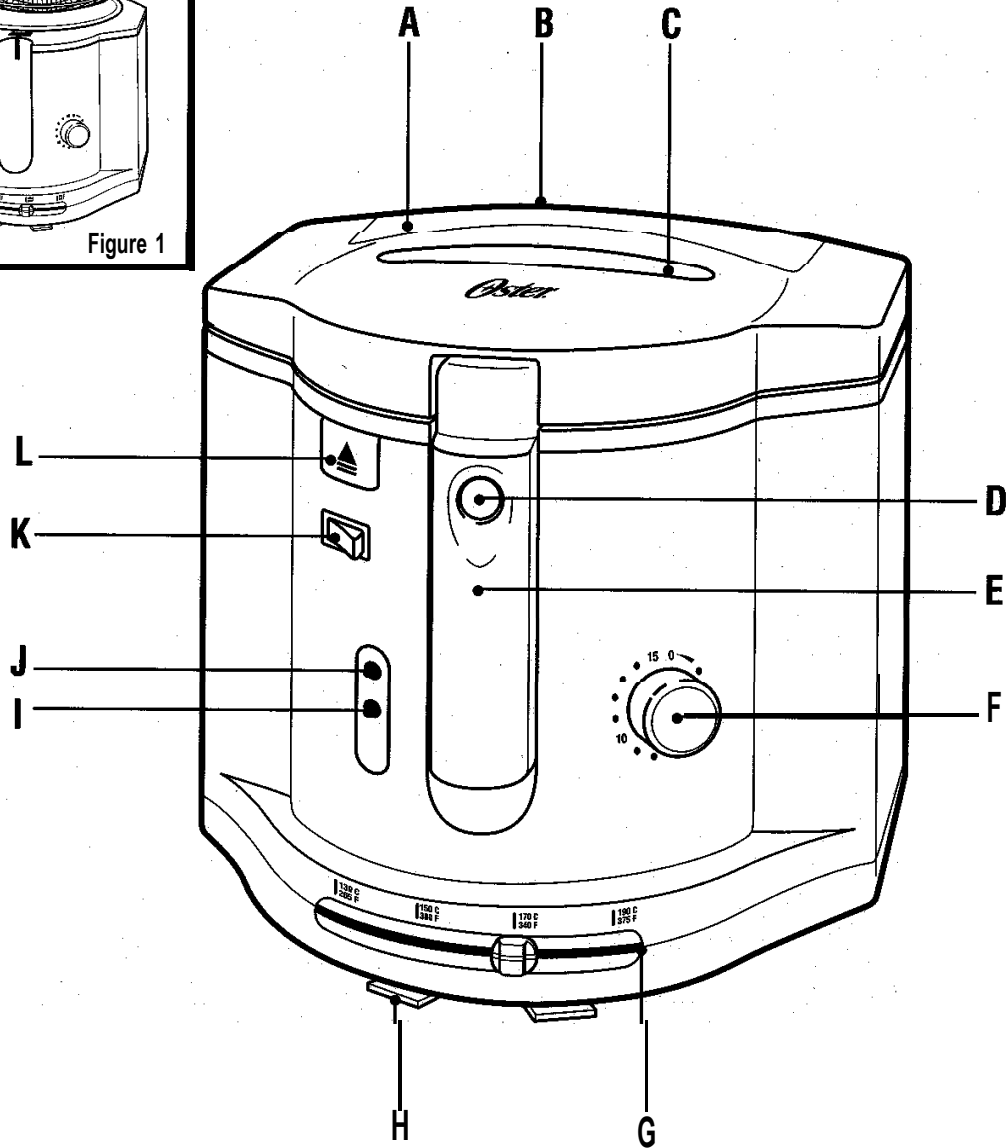


Figure 1



KNOW YOUR OSTER DEEP FRYER

- | | |
|---|--------------------------------|
| A. Double Filtration System | F. Timer |
| B. Condensation Drip Trap
(on back side of unit) | G. Adjustable Thermostat |
| C. Viewing Window | H. Cord Storage Wrap-Cleats |
| D. Basket Lowering Button
(push button when handle is in horizontal,
locked position to lower basket) | I. Temperature Indicator Light |
| E. Basket Control Handle
(lift up to raise basket) | J. Power "On" Light |
| | K. On/Off Switch |
| | L. Open Button |

IMPORTANT SAFEGUARDS

When using electrical appliances, basic safety precautions must always be followed, including the following:

- **READ AND SAVE ALL INSTRUCTIONS.**
- This appliance uses hot oil, it is very important to make sure the unit is placed in a safe place while in use or while the oil is still hot. Make sure the cord is not loose nor presents the possibility of someone tripping over it.
- DO NOT MOVE THE DEEP FRYER WHEN OIL IS HOT OR DURING COOKING.
- CLOSE SUPERVISION IS NECESSARY WHEN THE APPLIANCE IS IN USE OR WHEN THE OIL IS HOT.
- Do not touch hot surfaces. Always use oven mitts when handling hot surfaces; and allow metal parts to cool before cleaning. Allow the unit to cool thoroughly before adding or removing parts.
- Disconnect the Deep Fryer from the wall outlet when the unit is not in use and before cleaning. Note: Make sure the Deep Fryer is turned OFF "O" before disconnecting.
- To protect against risk of electrical shock, do not immerse the appliance or plug in water or other liquids.
- This appliance should not be used by children. Close supervision is always necessary when this or any other appliance is used near children.
- Do not operate this or any appliance with a frayed or damaged cord or plug.
- Do not operate if the appliance malfunctions, is dropped or has been damaged in any manner. Return the appliance to the nearest Authorized Service Station for examination, repair, electrical or mechanical adjustment.
- Do not use attachments not recommended by the manufacturer. They may cause fire, electrical shock or injury.
- Do not use outdoors or for commercial purposes. Do not use this appliance for other than the intended use.
- Do not let the cord hang over the edge of a table or counter, or touch hot surfaces.
- Do not place the appliance near a hot gas or electric burner or in a heated oven.
- Do not place any items on top or next to this appliance at any time. To prevent a fire, keep this appliance clear of contact with any flammable materials including curtains, draperies, walls, plastic materials, etc., at all times.

- Do not place any flammable materials in or close to the Deep Fryer, such as paper, cardboard or plastic.
- Oversized foods must not be inserted into the Deep Fryer as they may create a fire.
- Do not clean with metal scouring pads or any abrasive materials. (Pieces can break off the pad and touch electrical parts resulting in a risk of electrical shock).
- DO NOT USE WITH AN EXTENSION CORD.
- Be sure handles are properly assembled to basket and locked in place. See detailed instructions.

SAVE THESE INSTRUCTIONS

THIS UNIT FOR HOUSEHOLD USE ONLY

FOR PRODUCTS PURCHASED IN U.S. AND CANADA ONLY:

- This appliance has a polarized alternating current plug (one blade is wider than the other). To reduce the risk of electric shock, as a safety feature, this plug will fit in a polarized outlet only one way. If the plug does not insert fully in the outlet, reverse the plug. If it still fails to fit, contact a qualified electrician to replace the obsolete outlet.

DO NOT ATTEMPT DEFEAT THIS SAFETY FEATURE.

GETTING TO KNOW YOUR NEW DEEP FRYER

Before Using Your Deep Fryer for the First Time

- Read all sections of the instruction manual carefully.
- Remove the fryer from the packaging and remove the large peel-away illustrated label on the side of the unit.
- Raise the basket handle to its highest, horizontal position (a click sound will be heard) and then lift the basket out of the fryer.
- Remove all printed documents and any accessories from the basket.
- Clean the frying basket and cooking pot with hot water, a small amount of dishwashing liquid and a non-abrasive sponge or cleaning pad. Never immerse the body of the unit in water. Wipe the inside of the lid and the outer housing with a clean, damp cloth. Dry the unit thoroughly before using.

- A Condensation Drip Tray has been designed into the FryRight™ Deep Fryer and is located on the back side of the unit just below the lid. The lid has been designed to channel condensation that accumulates on the inside of the lid to the back of the unit and into the Condensation Drip Tray. To empty, simply remove the Drip Tray and dispose of the water inside.

USING YOUR DEEP FRYER FOR THE FIRST TIME

- **IMPORTANT:** Never fill the basket more than 1/2 to 2/3 full of food (1/4 to 1/2 is best), since this will cause the temperature of the oil to decrease below the optimal frying temperature and result in foods that are not as light or crispy as they can be.
- Press the OPEN button and open the lid.
- Lift up the handle. Raise the basket to the highest position until a “click” sound is heard.
- Remove the basket.
- Pour oil into the pot, minimum 1.5 L, maximum 2.0 L.
- Use only a good quality vegetable oil, pure corn oil or light olive oil for deep frying. We do not recommend using oils that deteriorate quickly like sunflower oil, lard, or drippings. Deep frying foods in butter or margarine is not recommended because of lower smoking temperatures.
- Wipe the inside of the viewing window with a little oil to prevent condensation
- Place food into the basket. Do not overfill the basket.
- Place food as dry as possible into the basket.
- Do not add water or wet foods to cooking oils. Water will cause oil to splatter.
- Be sure to pat dry all foods before frying.
- Place uniform sized pieces of food into the basket to ensure even cooking.
- Place the basket back into the pot.
- Press the lid gently to close it.
- Insert the plug into appropriate outlet.

- Turn the Main Power to ON. Both the red 'power' and yellow 'temperature' lights will turn on.
- Adjust the sliding thermostat to the desired temperature (270°F/132°C - 380°F/193°C).
- When the desired temperature is reached, the yellow 'temperature' light will turn off. Preheat deep fryer for 15 minutes before the first use; pre-heating is not necessary for consecutive use.
- Press the button on the handle. Lower the basket by gently lowering the handle.
- Rotate the timer knob to desired cooking time (maximum 15 mins.)
- During cooking, you may see steam rising through the filter vent openings in the top of the lid -this is normal; however, avoid this area while frying. Also, use caution when opening the lid, as the steam generated during cooking will escape when the lid is opened.
- When desired cooking time is reached, the timer will ring; indicating that it is time to raise the basket handle to its highest horizontal position (position until a "click" sound is heard), which will raise the basket out of the oil, strain the oil from the food, and keep it in the warming chamber until you are ready for it.
- Press the OPEN button and open the lid.
- Take out the basket and place the food on dishes (or first place on a paper towel to help absorb any excess oil that may remain on the outside of the food).
- Unplug the fryer.
- Oil can be poured out and strained when the fryer has cooled (you may choose to use the frying basket to hold a strainer/filter above your storage container as you pour the oil through it).

FRYING BASKET

- To use the basket, first lock the handle into the basket bracket. You can raise and lower the basket by simply lifting the handle until a click sound is heard; to lower the basket, simply press the button on the handle and slowly lower it to lower the basket. Using this feature you can safely raise and lower the basket into and out of the oil, without even opening the lid.
- With the Basket Control in the "UP" position, the basket can be removed from, and replaced into the Deep Fryer.

SAFETY-LOCKING LID

- To unlock the lid, press the lid release button. This will release hot steam and depressurize the container after cooking. Extreme care should be used to ensure hands are clear of the appliance when steam is released.

DOUBLE FILTER SYSTEM

- The lid is fitted with a double filtration system: one collects drops of oil from the steam as it passes through the filters; the other is carbon-activated and helps minimize odors. After several cooking sessions, the filters should be replaced.

HOW TO REPLACE THE FILTERS

- Unclip and remove the filter cover.
- There are two kinds of filters: The oil filter (white filter) prevents release of oil vapor; the carbon filter (black filter) prevents release of odors. To order additional filters, please call our Customer Service Line at (800) 5975978.
- After cleaning or replacing the filters, always make sure that the white oil filter rests on the metal surface below the carbon activated filter.

COOKING GUIDE

- The frying times given in this chart are only a guide and should be adjusted accordingly to suit the quantity fried.

Food	Degrees C/ F	Approximate Cooking Time (Minutes)
Mushrooms	150° C/302° F	3-4
Breaded Chicken	170° C/338° F	12-15
Chicken strips	180° C/356° F	3-4
Shrimp	130° C/266° F	3-4
Fish cakes or balls	150° C/302° F	4-6
Fish fillets	150° C/302° F	4-5
Fish fillet in batter	180° C/356° F	5-7
French fries, thin	190° C/374° F	2-4
French fries, thick	170° C/338° F	7-10

HINTS

- Select the temperature for frying by taking into account the type and amount of food to be cooked.
- As a general guide, foods that have been pre-cooked in some way need a higher temperature and less cooking time than those foods which are completely raw.

CLEANING THE DEEP FRYER

- Do not immerse the fryer in water.
- Clean the outside with a soft, damp cloth or paper towel.
- Before cleaning the Deep Fryer, always make sure that it is OFF “0” and disconnected from the outlet. Make sure the unit and the oil are completely cool. Oil retains its temperature for a long period of time after use. Do not attempt to move or carry the fryer while it is still hot.
- Empty and clean the condensation tray.
- Oil can be reused several times. Oil should be filtered after each use, however.
- After draining the oil, the fryer should first be wiped down with absorbent paper. Then use a damp cloth and a little mild soap. Finally, use a dry cloth. Do not immerse the unit in water under any circumstances.
- Do not use scrubbing brushes, chemical cleaners or any abrasive materials to clean the unit.
- The basket can be washed in warm soapy water.

CLEANING THE LID

- The lid can be washed with warm, soapy water.
- Be sure to remove both filters before cleaning the lid.
- Do not wash the lid in a dishwasher.

STORING THE DEEP FRYER

- Allow the appliance to cool completely before storing. Store the Deep Fryer in a dry location. The cord can easily be stored by wrapping it around the cord storage cleats on the bottom of the unit. Keep cords out of reach of children.

TROUBLESHOOTING

PROBLEM	POTENTIAL CAUSES	SOLUTION
Release of unpleasant odors.	The charcoal filter is saturated.	Replace the filter (see instructions page).
	The oil is deteriorated.	Change the oil every 10-12 fryings.
	The oil is unsuitable for deep frying.	Use a good quality vegetable oil, sunflower oil, canola oil, or corn oil.
Release of steam from under the edge of the lid.	The lid is not closed properly.	Make sure the lid is fully closed
Food remains soft and is not crispy on outside.	Too much food has been fried at the same time.	Fry food in smaller quantities (especially frozen foods).

RECIPES

DEEP FRIED CHICKEN

1 chicken cut into pieces
1 cup flour
Oil

1/4 tsp chicken seasoning
1-112 tsp salt
1/4 tsp pepper

Season the chicken with salt and pepper. In a plastic bag, pour 1 cup flour, 1-112 tsp. of salt. Place 4 to 5 pieces of chicken into the bag and shake until the pieces are well covered. Preheat the oil in the Deep Fryer. Place the bigger pieces of chicken in the Deep Fryer, followed by the smaller pieces. When chicken is cooked and golden brown, remove from oil and let drip in the frying basket to remove excess oils.

FRENCH FRIED ONION RINGS OR SHOESTRING ONIONS

Skin and cut crosswise into 1/4-inch slices or shred paper thin:

2 large onions

C o m b i n e :

1 cup milk

1 cup water

Soak the onions in this for 1/2 hour. Drain them, spread them on absorbent paper and dredge them with **Fritter Batter for Vegetables** (recipe on page 13). Fry in a deep fryer, preheated to 350°F - 370°F until light brown. Drain on absorbent paper.

YIELD: 4 SERVINGS

POTATOES

DEEP FRIED SWEET POTATOES

Wash then par-boil for 10 minutes:

Large sweet potatoes

Pare and cut them into strips. Fry the sweet potato strips in the deep fat until they are a golden brown, Drain them on absorbent paper. Sprinkle with salt, brown sugar or freshly grated nutmeg.

To flambe, just before serving, put the drained potatoes in a pan. Sprinkle over them:

2 tablespoons warm brandy, applejack or rum. Light and tilt the pan back and forth until the flame burns low,

POTATO PUFFS

Preheat deep fryer to 385°F.

Combine:

1/2 cup sifted flour

1/4 teaspoon salt

1 teaspoon double-acting baking powder

Add and mix:

1 cup mashed potatoes

The potatoes should be soft at room temperature. If they are not, add a little hot milk or water and beat. Add:

1 slightly beaten egg

1 teaspoon minced parsley

Drop by spoonfuls into hot fat. Fry to a golden brown. Drain on absorbent paper.

YIELD: 4 SERVINGS

POTATO OR SARATOGA CHIPS

Using a vegetable slicer, slice as thin as possible:

Peeled Idaho potatoes

Soak the slices in cold water, changing the water twice. Drain and dry well. Heat to 380°F:

Peanut or corn oil

Drop the separated slices into the hot oil in a frying basket. Shake the basket or stir the potatoes several times to prevent the chips from sticking together. Cook until they are golden. Drain and place on absorbent paper to get rid of any excess fat.

DAUPHINE POTATOES

Preheat deep fryer to 350°F.

For every cup:

Freshly Mashed Potatoes

add:

1/3 to 1/2 cup Pate a Choux

seasoned with:

A grating of nutmeg

Shape the potato mixture into 1 to 1-1/2 inch balls or fill into a pastry bag with a large plain tube. Roll in:

White dry bread crumbs

Deep fry for 3 to 4 minutes and allow the heat of the fat to increase to 370°F until the potato balls are golden, Drain on absorbent paper. Add salt and serve at once.

FRIED POTATO BALLS

Preheat deep fryer to 380°F.

Prepare:

2 cups hot Riced Potatoes, 4 medium size potatoes

Add to them:

2 tablespoons butter

2 tablespoons cream

1/2 cup grated cheese

2 beaten egg yolks

1/2 teaspoon salt

1/2 teaspoon any baking powder

a few grains cayenne

Whip these ingredients until they are light. Shape them into balls. Roll the balls in:

F l o u r

then in:

1 egg, diluted and beaten with 2 tablespoons water

and in:

Sifted bread crumbs

Fry the balls in deep fat. Drain them on absorbent paper. Serve at once.

YIELD: 6

DEEP FRIED STUFFED SHRIMP

Shell and de-vein:

10 jumbo-size shrimp

Chop them into a pulp and add:

6 water chestnuts

which have been smashed with a cleaver and finely chopped.

Shell, leaving the tails intact and de-vein:

14 jumbo-size shrimp

Split lengthwise along the de-veined edge but far enough to separate.

Spread them flat and lay along each crevice:

A thin julienne of Prosciutto or Westphalian ham

Spread the shrimp and chestnut mixture in the crevices above the ham and mold it into the form of a wide beveled edge when you partially reclose the shrimp for breading.

Dip into:

Beaten egg

then into:

Flour

Allow to dry on a rack 15 to 20 minutes. Lift the shrimp by the tails and slide them gently into the heated oil.

Fry for about 5 minutes or until golden. Drain on absorbent paper. Serve at once.

YIELD: 2 DOZEN SHRIMP

FRITTERS

Fritters should be cooked from 3 to 7 minutes, depending on size of fritter.

CHURRDS (Fritters)

350 grams (12.25 oz.) flour

2 eggs

3/4 liters (3 cups) of water

Salt

Olive or corn oil

Sugar

Place water and salt in a pot and bring to a boil. Add the flour all at once and mix vigorously with a wooden spoon. Place the dough in a mixing bowl. Mix the eggs one by one, using your Oster® Mixer, until bubbles begin to form. Heat the oil in the Deep Fryer. Using a churro machine, place the dough and start forming churros. Fry the churros in the oil until dark golden brown, Remove from the Deep Fryer and let the fritters drip over paper towels to remove excess oils. Sprinkle with plenty of sugar.

PUREED VEGETABLE FRITTERS

Preheat deep fryer to 375°F

Beat until light:

1 egg

Add and beat well:

1 cup cooked mashed or pureed carrots, parsnips, butter beans, etc.

Stir in:

1/4 teaspoon salt

1-1/2 teaspoons melted butter

1 teaspoon Worcestershire sauce or 2-1/2 teaspoons onion juice

1/2 teaspoon dried herb or 2 tablespoons chopped parsley

1-1/2 teaspoons flour

6 tablespoons milk

Spread these ingredients on a greased platter. When they are cold, shape them into 1 inch balls. Flour and roll in:

Bound Breading (recipe found at end of section).

Fry the balls in oil.

YIELD: 3 SERVINGS

SHRIMP FRITTERS

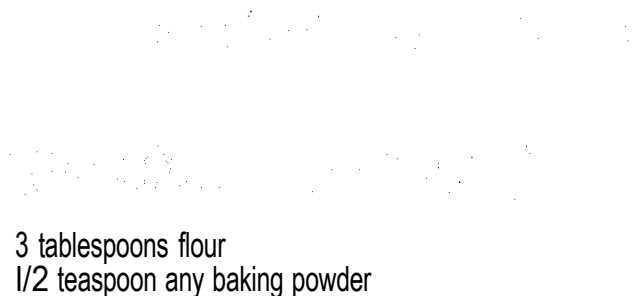
- 1 large ear fresh corn, husked
- 6 ounces uncooked large shrimp, peeled, de-veined, chopped
- 1/2 cup alfalfa sprouts
- 2 garlic cloves, minced
- 1/2 teaspoon salt
- 1/2 teaspoon ground black pepper
- 3 tablespoons canned unsweetened coconut milk
- 1 large egg
- 1/4 cup grated carrots
- 2 tablespoons all purpose flour
- 3 tablespoons vegetable oil

Cook corn in pot of boiling water until crisp and tender (approximately 3 minutes). Drain. Cut kernels from cob. Transfer kernels to large bowl. Mix in shrimp and next 5 ingredients. Whisk coconut milk and egg together. Stir into corn mixture; mix in flour. Heat oil in deep fryer to 160°C. Working in batches, flatten 1/4 cupfuls of mixture into 3 inch rounds and lower into oil. Cook until golden (about 5 minutes). Transfer to paper towels; drain. Serve hot.

YIELD: MAKES 8

EGGPLANT FRITTERS

- Preheat deep fryer to 365°F
- Pare and slice:
 - A small sized eggplant
- Cook it until it is tender in:
 - Boiling water to cover
- Add:
 - 1 teaspoon vinegar
- Drain the eggplant: Mash it. Beat in:
 - 1 egg
 - 1/2 teaspoon salt



Place in deep fryer until light, golden brown

YIELD: 6 SERVINGS

FRITTER BATTER FOR VEGETABLES, MEAT AND FISH

- Put in a bowl and mix well:
 - 1-1/3 cups all purpose flour
 - 1 teaspoon salt
 - 1/4 teaspoon pepper
 - 1 tablespoon melted butter or cooking oil
 - 2 beaten egg yolks
- Add gradually, stirring constantly:
 - 3/4 cup flat beer
- Allow the batter to rest covered and refrigerated 3 to 12 hours.
- Just before using you may add:
 - 2 stiffly beaten egg whites

Bound Breading

- Mix:
 - 1 cup all purpose flour, finely sifted dry bread crumbs or finely crushed corn flakes
 - 1 teaspoon salt
 - 1/4 teaspoon pepper or 1/2 teaspoon paprika

YIELD: ENOUGH TO COAT ABOUT 2 CUPS OF FOOD

DOUGHNUTS

SWEET MILK DOUGHNUTS

Preheat deep fryer to 370°F

Beat:

2 eggs

Add slowly, beating constantly:

1 cup sugar

Stir in:

1 cup milk

4 or 5 teaspoons melted shortening

Sift before measuring:

4 cups all-purpose flour

Resift with:

4 teaspoons double-acting baking powder

1/4 teaspoon cinnamon or 1 teaspoon grated lemon rind

1/2 teaspoon salt

1/4 teaspoon nutmeg

Mix moist and dry ingredients. Cook for 3 minutes.

YIELD: ABOUT 36 DOUGHNUTS

MEATBALLS

SWEET AND SOUR MEATBALLS

500 gr. (17.5 oz.) meat

1 medium sized onion

2 tablespoons sherry

2 tablespoons soy sauce

1 egg yolk

1 cup corn starch

Oil

Salt

SAUCE

1 small can of pineapple chunks

1/2 can of pineapple juice

1 tablespoon soy sauce

5 tablespoons vinegar

3 tablespoons sugar

1/2 tablespoon corn starch

Cut the meat into pieces approximately 2 cm (1") and then ground them with the Oster® Food Processor from Oster®. Chop the onion into very fine pieces in the Oster®. In a bowl, mix the meat with the onion, sherry, soy sauce, salt and egg yolk. Form little meatballs and then roll them in the corn starch. With the Deep Fryer, place the meatballs in the hot oil until they are golden brown. Do not over fry the meatballs. They will finish cooking with the sauce. Place the meatballs in a casserole. Add the pineapple chunks, juice and the remaining sauce ingredients. Mix them with the corn starch. Cook for 10-15 minutes. Accompany the meatballs with white rice made in the Oster® Rice Cooker.

CROQUETTS

All Croquettes should be golden in 2 to 4 minutes.

ABOUT CROQUETTES

Use about 3/4 cup of heavy cream or brown sauce to 2 cups of ground or minced solids, meat or fish and vegetables.

The solids should not be watery-always well drained. You may add to the hot sauce 1 to 2 egg yolks and let them thicken slightly off the heat. Add enough sauce to the solids so that they are well bound, but still of a rather stiff consistency. There is a good deal of leeway in this relationship, provided-after chilling-the mixture can be easily handled. Spread it in a greased pan and chill thoroughly. You may also brush the top of the mixture lightly with butter to avoid crusting. When cool, form into shapes not larger than 1 x 1 x 2-1/2 inches or in small balls or cones. Roll in flour, then coat carefully in a bound breading. Allow them to dry on a rack for an hour, if possible. To avoid bursting, if the mixture is a soft one, you may coat as described. Then dry for about 10 minutes, recoat and dry for 1 hour before frying.

Preheat deep-fat fryer to 375°F to 385°F and immerse the croquettes, not too many at a time, in a basket, so they will have exactly the same amount of cooking time. They will be golden in 2 to 4 minutes, unless otherwise indicated. Drain on absorbent paper. You may hold them briefly before serving on a rack in a 350° oven.

To reheat croquettes, use a 400° oven.

CROQUETTES OF COOKED FOOD

Prepare:

Cream Sauce (see recipe at end of section)

When the sauce is smooth and hot, remove from heat and add:

1 to 2 egg yolks

allowing them to thicken slightly. Add to the sauce until it binds:

2 cups minced solid food: cooked meat, fish or vegetables

1 tablespoon chopped onion

2 tablespoons chopped parsley

Return the pan to very low heat and season the food well with a choice of:

Salt, pepper or paprika

1/2 teaspoon hot pepper sauce.

Freshly grated nutmeg or celery salt

2 teaspoons cooking sherry

2 teaspoons lemon juice

1/2 teaspoon dried herbs

1 teaspoon Worcestershire sauce

1/2 teaspoon curry powder

Cool and, in shaping, place in the center of each croquette either:

A sauteed mushroom

A piece cooked chicken liver

A pimiento olive

A well drained, seasoned or marinated oyster

Bread, dry and deep-fat fry the croquettes as directed in **About Croquettes** at beginning of section above.

Drain on absorbent paper.

YIELD: ABOUT 12 CROQUETTES

RICE CROQUETTES

Place in a double boiler:

2 cups cooked rice

Soften with:

2 or 3 tablespoons hot milk

Add:

2 tablespoons butter

1/4 teaspoon nutmeg

1 or 2 beaten eggs

(1-1/2 tablespoons chopped parsley)

Correct the seasoning

Cook and stir the rice until the egg thickens. Cool the mixture. In shaping, imbed in center:

Small pieces of ham or cheese

Bread, dry and deep-fat fry as directed in **About Croquettes** at beginning of section above.

Drain on absorbent paper and serve.

YIELD: ABOUT 8 CROQUETTES

CHEESE AND RICE CROQUETTES

Combine:

2 cups boiled rice

1/2 cup grated sharp cheese

1/2 cup **Cream Sauce** (recipe at end of section)

1 tablespoon chopped parsley

1/2 teaspoon paprika

a few grains of cayenne

salt

Cool and shape these ingredients into cones or croquette balls. Bread, dry and deep-fat fry as directed in **About Croquettes** at beginning of section above. Drain on absorbent paper and serve at once.

YIELD: ABOUT 10 CROQUETTES

CHICKEN AND CHEESE CROQUETTES

500 grams (17.5 oz.) cooked chicken meat

100 grams (3.5 oz.) shredded Parmesan cheese

2 **eggs**

1 garlic clove

1 cup shredded bread

Pinch of nutmeg

Salt and pepper as desired

Grind chicken and garlic in the Oster® Food Processor. Mix in egg whites. Quickly add the Parmesan cheese, nutmeg, egg yolks, salt and pepper. Combine with the meat mixture. Form little balls and cover them with the shredded bread. Place the rolls into the Deep Fryer and cook until golden brown. Serve with mayonnaise covered asparagus.

CHEESE CROQUETTES

Melt:

1/4 cup butter

Stir in:

5 tablespoons flour

Stir in gradually until thickened:

1 cup milk

1/3 cup cream

Stir in, over low heat:

1/2 lb. grated Swiss cheese

Cool slightly. Stir in:

3 beaten egg yolks

1/8 teaspoon paprika

3/4 teaspoon salt

Pour the custard into a well-greased pan, about 6 x 9 inches. Chill well. When ready to use, immerse pan for a moment in hot water, reverse it and turn the custard onto a flat surface. Cut into shapes. Bread and dry twice and deep-fat fry. Drain on absorbent paper.

YIELD: 12 CROQUETTES

CHICKEN OR VEAL CROQUETTES

Combine:

1-1/2 cups minced chicken or veal

with:

1/2 cup sauteed mushrooms, minced celery or minced nuts

Add, until these ingredients are well bound:

about 3/4 cup hot **Veloute Sauce** (recipe at end of section)

Cool, shape, bread, dry and deep-fat fry the croquettes as directed in **About Croquettes** at beginning of section above. Drain on absorbent paper.

OYSTER AND CHICKEN CROQUETTES

Heat in juice until plump:

1 pint oysters

Drain them. Reserve the juice. Dry them.

Melt:

2 tablespoons butter

Saute slowly in the butter until golden:

3 tablespoons minced onion

Stir in, until blended:

1/4 cup flour

Slowly add:

1 cup oyster juice and **Chicken Stock** (recipe at end)

correct the seasoning

and add:

a few grains cayenne

a few grains nutmeg

Stir in:

1/2 cup cooked minced chicken

Reduce the heat and add:

3 beaten egg yolks

1 tablespoon minced parsley

Allow mixture to thicken. Whip until stiff and fold into the chicken mixture:

1/2 cup heavy cream

Spread the mixture on a platter. Cool. Dip the oysters one at a time in the chicken mixture until they are well coated. Shape, bread, dry and fry the croquettes as directed in **About Croquettes** at beginning of section above. Drain them on absorbent paper. Garnish with lemon slices, parsley or watercress.

YIELD: ABOUT 12 CROQUETTES

CREAM SAUCE FOR CROQUETTES

Melt over low heat:

3 tablespoons butter

Add and blend over low heat for 3 to 5 minutes:

3 tablespoons flour

Stir in slowly:

1 cup milk

Add:

1 small onion studded with 2 or 3 whole cloves

1/2 small bay leaf

Cook and stir the sauce with a wire whisk or wooden spoon until thickened and smooth. Place in a 350° oven for 20 minutes to cook slowly. Strain the sauce and serve.

YIELD: 1 CUP

VELOUTE SAUCE FOR CROQUETTES

Melt in the top of a double boiler:

2 tablespoons butter

Stir in:

2 tablespoons flour

When blended, add gradually:

2 cups chicken, veal or fish stock

and stir over low heat until well combined and thickened. Add:

1/4 cup mushroom peelings

Place in the double boiler and simmer over-not in-hot water for about 1 hour, stirring occasionally.

Strain and add:

a pinch of nutmeg

correct the seasoning

and stir occasionally during the cooling process to prevent a crust from forming.

YIELD: 1-1/2 CUPS

CHICKEN STOCK FOR CROQUETTES

Blanch:

4 lbs. chicken backs, necks, wings and feet

Drain, discard water and bring the chicken slowly to a boil in:

4 quarts cold water

with:

8 white peppercorns

1 bay leaf

1 teaspoon thyme

6 whole cloves

6 parsley stems

1 medium diced onion

3 diced stalks celery

1 medium diced carrot

Reduce the heat at once and simmer 2-1/2 to 3 hours or until reduced by half.

Strain stock. Cool uncovered and refrigerate until ready to use.

YIELD: 2-QUARTS

1 YEAR LIMITED WARRANTY

Sunbeam Products Inc. warrants to the original purchaser, subject to the limitations and exclusions set forth below, that this product shall be free, in all material respects, of mechanical and electrical defects in material and workmanship from the date of purchase for one year. This warranty does not cover normal wear of parts or damage resulting from any of the following: negligent use or misuse of the product, use on improper voltage or current, use contrary to operating instructions or disassembly, repair or alteration by any person other than an authorized service center.

Our obligation hereunder is limited to repair or replacement, at manufacturer's option, of the product during the warranty period, provided that the product, along with the model number and original dated proof of purchase, is sent postage prepaid, directly to the following address:

For products purchased in the United States:

**SUNBEAM APPLIANCE SERVICE STATION
117 Central Industrial Row
Purvis, MS 39475**

For products purchased in Canada:

**SUNBEAM APPLIANCE SERVICE STATION (KND)
Please call 1-800667-8623 or email us at
consumeraffairs@consumer.sunbeam.com**

Do not return this product to the place of purchase or to the manufacturer; doing so may delay the processing of your warranty claim:

Answers to questions regarding this warranty or for your nearest authorized service location may be obtained by calling toll-free 1-800-597-5978 or by writing to Sunbeam – Consumer Affairs, at P.O. Box 948389, Maitland, FL 32794-8389. Answers to questions regarding this warranty or for your nearest Canadian authorized service location may be obtained by calling toll-free in Canada 1-800-667-8623. For warranty information or for an authorized service location outside of the United States and Canada, please see the warranty service card inserted in the product packaging.

DISCLAIMER

Product repair or replacement as provided under this warranty is your exclusive remedy.

SUNBEAM PRODUCTS, INC. SHALL NOT BE LIABLE FOR ANY INCIDENTAL OR CONSEQUENTIAL DAMAGES FOR BREACH OF ANY EXPRESS OR IMPLIED WARRANTY ON THIS PRODUCT OR ANY PART THEREOF. EXCEPT TO THE EXTENT PROHIBITED BY APPLICABLE LAW, SUNBEAM PRODUCTS, INC. DISCLAIMS ANY IMPLIED WARRANTY OF MERCHANTABILITY OR FITNESS FOR A PARTICULAR PURPOSE OF THIS PRODUCT OR ANY PART THEREOF. Some states and provinces do not allow the exclusion or limitation of incidental or consequential damages, or allow limitations on how long an implied warranty lasts, so the above limitations or exclusions may not apply to you. This warranty gives you specific legal rights, and you may also have other rights, which vary from State to State or Province to Province.

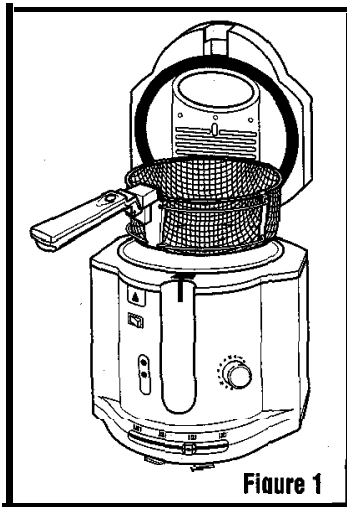
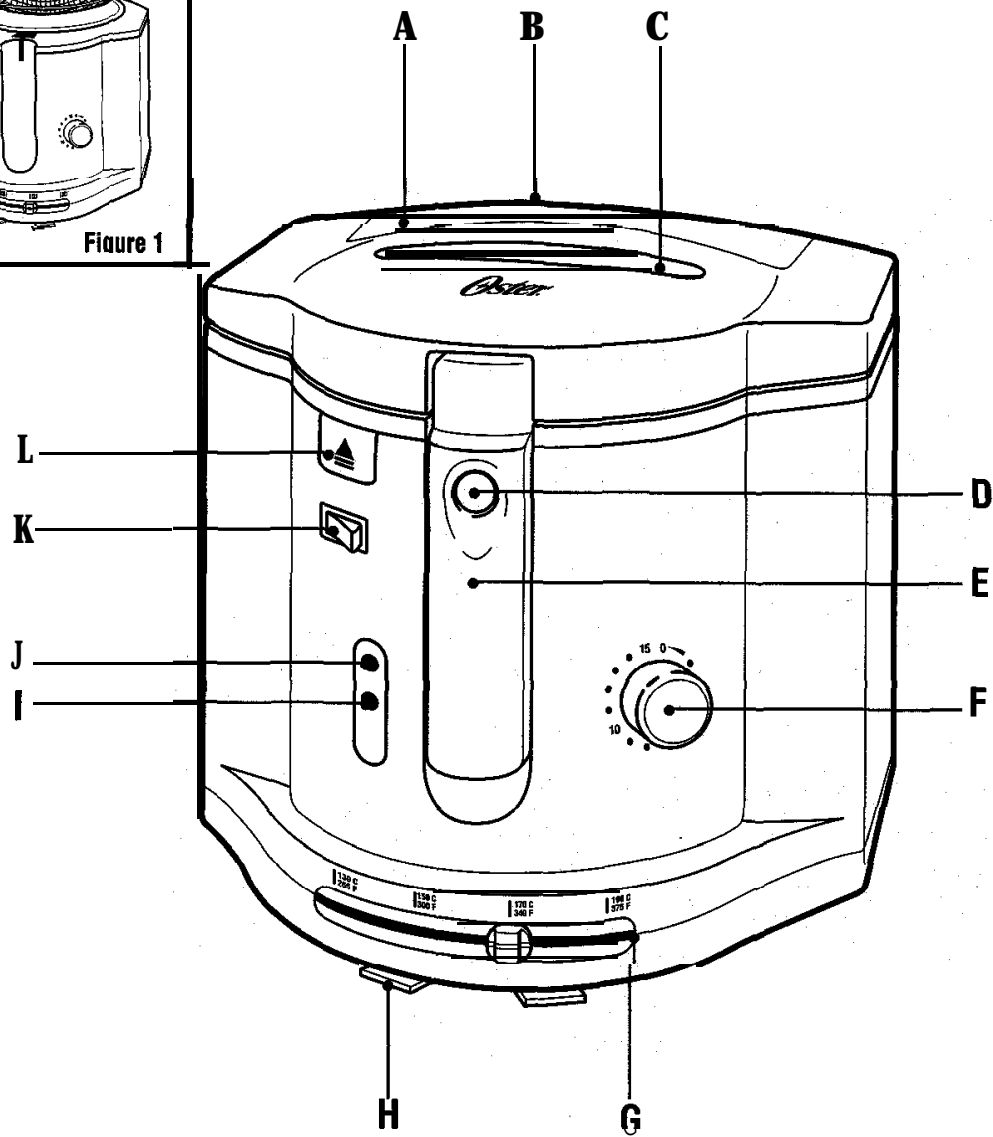


Figure 1



DESCRIPTION DE LA FRITEUSE OSTER®

- | | |
|---|--|
| <p>A. Système de Filtrage Double</p> <p>B. Cuvette à Condensats (à l'arrière de l'appareil)</p> <p>C. Hublot</p> <p>D. Bouton de Crémaillère (<i>appuyer sur ce bouton pour abaisser le panier lorsque la poignée en position verrouillée horizontale</i>)</p> <p>E. Poignée de la Crémaillère (<i>pousser vers le haut pour relever le panier</i>)</p> | <p>F. Minuterie</p> <p>G. Thermostat Réglable</p> <p>H. Taquets d'Enroulement du Cordon</p> <p>I. Voyant de Température</p> <p>J. Voyant de Marche</p> <p>K. Interrupteur d'Alimentation</p> <p>L. Bouton d'ouverture du Couvercle</p> |
|---|--|

PRÉCAUTIONS IMPORTANTES

Lors de l'utilisation d'appareils électriques, toujours prendre les précautions nécessaires, et en particulier:

1. **LIRE ET CONSERVER CES INSTRUCTIONS.**
2. Cet appareil utilise de l'huile bouillante, c'est pourquoi il est très important de veiller à le placer dans un endroit sûr durant son utilisation ou aussi longtemps que l'huile est chaude. S'assurer que le cordon n'est pas lâche ou ne risque pas de provoquer de trébuchement.
3. NE PAS DÉPLACER LA FRITEUSE LORSQUE L'HUILE EST CHAUDE OU DURANT LA CUISSON.
4. FAIRE PREUVE D'UNE ATTENTION PARTICULIÈRE LORSQUE L'APPAREIL EST EN MARCHÉ OU QUE L'HUILE EST CHAUDE.
5. Éviter de toucher les surfaces chaudes. Utilisez toujours des gants isolants pour manipuler du matériel brûlant. Laissez refroidir les parties métalliques avant de les nettoyer. Bien laisser refroidir la rôtissoire avant de remonter ou démonter des pièces.
6. Débrancher la friteuse de la prise murale lorsqu'elle n'est **pas** utilisée ou avant de la nettoyer. Remarque : Vérifier que la friteuse est sur ARRÊT «0» avant de la débrancher.
7. Pour vous protéger des risques d'électrocution, ne plongez jamais le cordon, ou l'appareil dans l'eau ou tout autre liquide.
8. Cet appareil ne doit pas être utilisé par des enfants. Faites particulièrement attention lorsque l'appareil est utilisé par, ou en présence d'enfants ou d'invalides.
9. Ne pas utiliser la friteuse ou tout autre appareil électroménager si le cordon ou la fiche d'alimentation sont endommagés.
10. Ne pas utiliser un appareil électrique dont le cordon ou la fiche électrique sont endommagés, ni un appareil qui présente des problèmes de fonctionnement ou qui a subi une chute ou a été endommagé de quelque autre manière que ce soit. Retourner l'appareil au Centre de Service Autorisé le plus près aux fins d'inspection, de réparation, de réglage électrique ou mécanique.
11. L'utilisation d'accessoires non conseillés ou vendus par le fabricant présente des risques d'incendie, d'électrocution ou de blessure.
12. Ne pas utiliser à l'extérieur ou à des fins commerciales. Ne pas utiliser l'appareil à des fins autres que celles pour lesquelles il est destiné.
13. Ne laissez pas que le cordon pendre du bord d'une table ou d'un meuble; ne le laissez pas non plus entrer en contact avec des surfaces chaudes.
14. Ne pas placer sur ou près d'un brûleur à gaz ou électrique, ou dans un four chaud.
15. Ne placer aucun objet sur ou à proximité de cet appareil. Pour écarter les risques d'incendie, éviter tout contact avec des matériaux inflammables, notamment rideaux, tentures, cloisons, matières plastiques, etc.

16. Ne pas placer de matériaux inflammables, notamment papier, carton ou plastique, dans ou à proximité de la friteuse.
17. Pour écarter les risques **d'incendie**, ne pas placer d'aliments de trop grande taille dans la friteuse.
18. Ne pas utiliser de tampons métalliques ou autres produits abrasifs pour le nettoyage (un tampon métallique peut perdre des morceaux susceptibles de venir au contact d'éléments sous tension et de créer un risque d'électrocution).
19. **NE PAS UTILISER AVEC UNE RALLONGE ÉLECTRIQUE.**
20. Vérifier que les poignées sont correctement fixées au panier et verrouillées dans la bonne position. Consulter les instructions détaillées.

CONSERVER CES INSTRUCTIONS

POUR USAGE DOMESTIQUE SEULEMENT

PRODUITS ACHETÉS AUX ÉTATS-UNIS ET AU CANADA UNIQUEMENT:

- Cet appareil comporte une fiche polarisée pour courant alternatif (une broche est plus large que l'autre). Pour réduire le risque de choc électrique, cette fiche ne va que dans un sens seulement sur une prise de courant polarisée. Si la fiche ne s'enfonce pas complètement dans la prise, la retourne et essayer de nouveau. Si elle ne s'adapte toujours pas à fond, contacter un électricien agréé pour remplacer une prise de courant obsolète.

VEILLEZ À RESPECTER LES MESURES DE SÉCURITÉ DE LA PRISE POLARISÉE.

CONNAÎTRE LA NOUVELLE FRITEUSE

AVANT D'UTILISER LA FRITEUSE POUR LA PREMIÈRE FOIS

- Lire avec attention tous les chapitres du mode d'emploi.
- Sortir la friteuse de son emballage et décoller la grande étiquette apposée sur le côté de l'appareil.
- **Faire** monter la crémaillère jusqu'à sa position horizontale la plus haute (jusqu'au déclic) puis extraire le panier de la friteuse.
- Sortir tous les documents et accessoires du panier.
- Nettoyer le panier et le récipient avec de l'eau chaude et une petite quantité de produit vaisselle, en utilisant une éponge ou un tampon non abrasif. Ne jamais immerger le corps de la friteuse dans l'eau. Essuyer l'intérieur du couvercle et l'extérieur du corps avec un chiffon propre et humide. Bien sécher la friteuse avant de l'utiliser.

- La Friteuse FryRight™ comporte une Cuvette à Condensats située sur l'arrière de l'appareil, directement sous le couvercle. Le couvercle est conçu pour canaliser la condensation interne vers l'arrière de l'appareil et vers la Cuvette à Condensats. Pour vider la cuvette, il suffit de la sortir et de verser l'eau qu'elle contient.

PREMIERE UTILISATION DE LA FRITEUSE

- **IMPORTANT:** Ne jamais remplir le panier d'aliments à plus de la moitié de sa capacité (de préférence entre le quart et la moitié). Un panier trop plein fait baisser la température de l'huile en dessous de la température de friture optimale et les aliments ne sont pas aussi légers et croustillants qu'ils devraient l'être.
- Appuyer sur le bouton d'ouverture pour ouvrir le couvercle.
- Relever la crémaillère. Amener le panier à sa position la plus haute jusqu'au déclic.
- Extraire le panier.
- Verser entre 1.5 L et 2.0 L d'huile dans le récipient de cuisson.
- Pour la friture, utiliser exclusivement de l'huile végétale de bonne qualité, de l'huile de maïs pure ou de l'huile d'olive légère. Il est déconseillé d'utiliser des huiles qui s'altèrent rapidement, notamment huile de tournesol, saindoux ou graisses de cuisson. Il n'est pas conseillé de faire frire dans du beurre ou de la margarine en raison de la faible température d'apparition des fumées.
- Essuyer l'intérieur du hublot avec un peu d'huile pour empêcher la condensation,
- Placer les aliments dans le panier. Ne pas remplir le panier au-delà de sa capacité.
- Placer des aliments aussi secs que possible dans le panier.
- Ne pas ajouter d'eau ou d'aliments mouillés dans l'huile de friture. L'eau provoque des **éclaboussements** de l'huile.
- Veiller à bien tamponner les aliments pour les sécher avant de les frire.
- Pour obtenir une cuisson uniforme, remplir le panier de morceaux d'aliments de taille semblable.
- Remettre le panier dans le récipient à huile.
- Appuyer doucement sur le couvercle pour le fermer.
- Introduire la fiche d'alimentation dans une prise adéquate.
- Mettre l'interrupteur d'alimentation en position de marche. Le voyant de marche rouge et le voyant de chauffage orange s'allument tous les deux.

- Régler le thermostat sur la température désirée entre (270°F/132°C à 380°F/193°C).
- Lorsque la température choisie est atteinte, le voyant de température orange s'éteint. Préchauffer la bassine à frire 15 minutes avant de l'utiliser la première fois. Le préchauffage n'est pas nécessaire pour les utilisations ultérieures.
- Enfoncer le bouton de la crémaillère. Abaisser lentement le panier en appuyant sur la poignée de crémaillère.
- Faire tourner le bouton de minuterie jusqu'à la durée de cuisson désirée (15 min maximum).
- Durant la cuisson, il est possible que de la vapeur s'échappe de l'évent du filtre au sommet du couvercle; ceci est parfaitement normal mais il est préférable de rester à l'écart de cette zone durant la cuisson. Faire également preuve de prudence en ouvrant le couvercle en raison du dégagement de la vapeur produite durant la cuisson.
- Une fois que la durée de cuisson choisie est écoulée, la minuterie sonne (en mode séquentiel, le panier se relève automatiquement hors du bain pour permettre à l'huile de s'égoutter des aliments).
- Relever la poignée; amener le panier à sa position la plus haute, jusqu'au déclic.
- Appuyer sur le bouton d'ouverture pour ouvrir le couvercle.
- Sortir le panier et placer les aliments dans des plats (ou les poser d'abord sur une serviette en papier pour absorber tout excès **d'huile** à leur surface).
- Débrancher la friteuse.
- **L'huile** peut être vidée et filtrée une fois que la friteuse a refroidi (il est possible d'utiliser le panier de la friteuse pour tenir une passoire ou un filtre au-dessus du récipient dans lequel l'huile est versée pour y être conservée).

LE PANIER A FRITURE

- Pour utiliser le panier, bloquer d'abord la poignée de crémaillère dans l'attache du panier. Pour lever le panier, il suffit de pousser la poignée vers le haut jusqu'au déclic; pour l'abaisser, enfoncer le bouton de la poignée puis pousser lentement la poignée vers le bas. Ce dispositif permet de lever et d'abaisser le panier dans le bain sans qu'il soit nécessaire d'ouvrir le couvercle.
- Lorsque la commande du panier est en position «**haut**», le panier peut être extrait ou remis en place dans la Friteuse.

LE COUVERCLE A VERROUILLAGE

- Pour déverrouiller le couvercle, appuyer sur le bouton de déblocage. Ceci a pour effet de libérer la vapeur d'eau et de décompresser le récipient après cuisson. Prendre particulièrement garde à garder les mains à l'écart de l'appareil lorsque la vapeur chaude s'en dégage.

LE SYSTÈME A FILTRE DOUBLE

- Le couvercle contient un système de filtrage double: le premier niveau prélève les gouttelettes d'huile de la vapeur d'eau sur son passage, le second est un filtre à charbon actif qui permet de minimiser les odeurs. Ces filtres devront être changés au bout d'un certain nombre d'utilisations de la friteuse.

REPLACEMENT des FILTRES

- Détacher et enlever le capot du filtre.
- Il y a deux types de filtres: le filtre à huile (filtre blanc) empêche le dégagement de vapeurs d'huile; le filtre au charbon (filtre noir) empêche le dégagement d'odeurs. Pour commander des filtres de rechange, contacter le Service à la clientèle au (800) 597-5978.
- Après nettoyage ou remplacement des filtres, toujours vérifier que le filtre à huile blanc repose sur la surface en métal sous le filtre à charbon actif.

GUIDE DE CUISSON

- Les temps de bain figurant dans ce tableau sont fournis à titre indicatif et devront être adaptés en fonction de la quantité à frire.

ALIMENT	TEMPÉRATURE (°C)	TEMPS DE CUISSON APPRDX. (MIN)
Champignons	150°C/ 302°F	3 à 4
Poulet pané	170°C/ 338°F	12 à 15
Bouchées de poulet	180°C/ 356°F	3 à 4
Crevettes	130°C/ 266°F	3 à 4
Boulettes de poisson	150°C/ 302°F	4 à 6
Filets de poisson	150°C/ 302°F	4 à 5
Filets de poisson dans pâte à frire	180°C/ 356°F	5 à 7
Pommes frites fines	190°C/ 374°F	2 à 4
Pommes frites épaisses	170°C/ 338°F	7 à 10

CONSEILS UTILES

- Choisir la température du bain en tenant compte de la nature et de la quantité des aliments à frire.
- En règle générale, les aliments **précuits** d'une manière ou d'une autre nécessitent une température plus élevée et une durée de bain moindre que les aliments totalement crus.

NETTOYAGE DE LA FRITEUSE

- Ne pas immerger la friteuse dans l'eau.
- Nettoyer l'extérieur à l'aide d'un chiffon doux humide ou d'une serviette en papier.
- Avant de nettoyer la Friteuse, toujours vérifier qu'elle est en position ARRÊT «0» et débranchée de la prise de courant. S'assurer que l'appareil et l'huile sont complètement froids. L'huile retient la chaleur pendant une longue durée après utilisation. Ne pas tenter de déplacer ou porter la friteuse alors qu'elle est encore chaude.
- Vider et nettoyer la cuvette à **condensats**.
- L'huile peut être réutilisée un certain nombre de fois. Toutefois, il est conseillé de la filtrer après chaque utilisation.
- Après avoir vidé l'huile, essuyer la friteuse avec du papier absorbant. Puis utiliser un chiffon humide et un peu de détergent doux. Pour finir, l'essuyer avec un torchon sec. N'immerger l'appareil dans l'eau sous aucune circonstance.
- Ne pas utiliser de brosse à récurer, de produit chimique ou de matériaux abrasifs pour nettoyer l'appareil.
- Le panier se lave à l'eau chaude savonneuse.

NETTOYAGE DU COUVERCLE

- Le couvercle se lave à l'eau chaude savonneuse.
- Veiller à sortir les deux filtres avant de nettoyer le couvercle.
- Ne pas laver le couvercle au lave-vaisselle.

RANGEMENT DE LA FRITEUSE

- Laisser la friteuse refroidir complètement avant de la ranger. L'entreposer dans un endroit sec. Le cordon d'alimentation se range facilement en l'enroulant autour des taquets prévus à cet effet à la base de l'appareil. Garder le cordon d'alimentation hors de portée des enfants.

PROBLÈME	DÉPANNAGE CAUSES POSSIBLES	SOLUTION
Dégagement d'odeurs désagréables	Le filtre à charbon actif est saturé	Changer le filtre (voir mode d'emploi)
	L'huile est altérée	Changer l'huile toutes les 10 ou 12 utilisations
	L'huile utilisée n'est pas adaptée à la friture	Utiliser une huile végétale de qualité, une huile de tournesol, une huile de colza ou une huile de maïs
Dégagement de vapeur d'eau en dessous du couvercle	Le couvercle n'est pas correctement fermé	Vérifier que le couvercle est correctement fermé
Les aliments restent mous et ne sont pas croustillants à l'extérieur	La quantité d'aliments frits en même temps est trop importante	Frire les aliments par plus petites quantités (en particulier les surgelés)

RECETTES

POULET FRIT

1 poulet découpé en morceaux
1 tasse de farine
Huile

1/4 c. à thé d'assaisonnement de volaille
1-1/2 c. à thé de sel
1/4 c. à thé de poivre

Saler et poivrer le poulet. Dans un sac en plastique, mélanger la farine à 1-1/2 c. à thé de sel. Placer 4 à 5 morceaux de poulet dans le sac et remuer jusqu'à ce que les morceaux soient bien recouverts. Faire chauffer l'huile dans la friteuse. Placer les plus gros morceaux dans la friteuse, puis les plus petits. Lorsque le poulet est cuit et dore, le sortir de l'huile et le laisser égoutter dans le panier pour **éliminer l'excès** d'huile.

ANNEAUX OU LANIÈRES D'OIGNONS FRITS

Éplucher et couper en rondelles de 6 mm ou râper finement:

2 gros oignons

Mélanger:

1 tasse de lait

1 tasse d'eau

Y faire tremper l'oignon pendant une demi-heure. Égoutter, étaler sur du papier absorbant puis enrober de pâte à frire pour légumes (recette p. 13). Frire dans la friteuse préchauffée à **175-188° C/ 350°-370°F** jusqu'à obtenir une couleur **dorée**. Egoutter sur du papier absorbant.

POUR 4 PERSONNES

POMMES DE TERRE

PATATES DOUCES FRITES

Laver puis faire bouillir pendant 10 minutes:

De grosses patates douces

Éplucher et couper en fines lamelles. Frire les croustilles de patates à la friteuse jusqu'à ce qu'elles soient dorées. Égoutter sur du papier absorbant. Saupoudrer de sel, de sucre brun ou de noix de muscade fraîchement râpée.

Pour flamber les croustilles, juste avant de servir, les placer dans une poêle **après** les avoir égouttées.

Les arroser de:

2 cuillerées à soupe de brandy, d'eau-de-vie de pomme ou de rhum chauffé.

Allumer et balancer la poêle d'avant en arrière jusqu'à ce que le liquide ait totalement brûlé.

CROUSTILLES DE POMMES DE TERRE OU SARATOGA

À l'aide d'un coupe-légumes, trancher aussi fin que possible:

Des pommes de terre Idaho épluchées

Tremper les tranches dans l'eau froide, en changeant l'eau deux fois. Égoutter et bien sécher.

Faire chauffer à **195°C/300°F**:

Huile d'arachide ou de maïs.

Plonger les tranches individuelles dans le bain d'huile chaude. Remuer le panier ou les croustilles plusieurs **fois** pendant la cuisson pour leur **éviter** de coller les unes aux autres. Cuire jusqu'à ce qu'elles soient dorées. Égoutter et poser sur du papier absorbant pour éliminer tout **excès** d'huile.

POMMES DAUPHINE

Faire préchauffer la friteuse à **175°C/350°F**.

Pour chaque tasse de:

Purée de pommes de terre fraîche

ajouter:

1/3 à 1/2 tasse de pâte à choux

assaisonnée de:

Une pincée de noix de muscade **râpée**

Former des boulettes de 25 à 40 mm 1 **à 1/2** po. de diamètre ou en remplir une poche munie d'une grosse douille lisse. Rouler dans:

Chapelure de pain blanc

Faire frire pendant 3 **à 4** minutes et faire monter la température du bain jusqu'à **188" C/ 370°F**, jusqu'à ce que les croquettes soient **dorées**. Égoutter sur du papier absorbant. Saler et servir **immédiatement**.

BOULETTES DE POMMES DE TERRE FRITES

Faire chauffer la friteuse à **195°C/380°F**.

Préparer:

2 tasses de pommes de terre en **purée**, 4 pommes de terre moyennes

Ajouter:

2 cuillerées à soupe de beurre

2 cuillerées à soupe de **crème**

1/2 tasse de fromage râpé

2 jaunes d'œuf battus

1/2 cuillerée à thé de sel

1/2 cuillerée à thé de levure chimique

Quelques grains de poivre de Cayenne

Bien fouetter ces ingrédients. Former des boulettes. Les rouler dans:

Farine

puis dans:

1 œuf, dilué et battu avec 2 cuillerées a. soupe d'eau

et dans:

Chapelure **tamisée**

Frire les boulettes à la friteuse. Égoutter sur du papier absorbant. Servir immédiatement.

POUR 6 **PERSONNES**

POISSONS ET FRUITS DE MER

POISSON FRIT

Chauffer la friteuse à **188°C/370°F**

Nettoyer et préparer pour la cuisson:

de petits morceaux de poisson de **2,5 cm/1 po.** d'épaisseur maximum

Tremper dans la:

Pâte à frire pour poisson (voir recette dans la section Beignets)

Faire frire pendant 5 **à 8** minutes ou jusqu'à ce qu'ils soient dorés. Le poisson remonte **à** la surface lorsqu'il est prêt. Égoutter sur du papier absorbant. Servir très chaud avec des quartiers de citron ou de la sauce tartare.

ENVIRON 500g/1/2LB. POUR PERSONNE

POISSON MARINÉ FRIT

Chauffer la friteuse à **188°C/ 370°F**.

Enlever le peau et couper en morceaux:

650 g de dames de poisson

Mariner pendant 30 min dans:

6 **cuillerées à soupe** de vin blanc sec ou

2 **cuillerées à soupe** de jus de citron

Bien **égoutter** et plonger chaque morceau séparément dans:

6 cuillerées à soupe de crème

puis dans de la:

Farine

Faire frire le poisson à la friteuse pendant environ 7 minutes. Servir avec de la sauce tartare.

POUR **3** PERSONNES

BEIGNETS DE POISSON ET FRITES

Chauffer la friteuse à **190°C/375°C**.

Couper en **bouchées** uniformes:

650 **g/ 1-1/2** lb. de filet de plie

Tremper dans **la pâte à frire pour poisson** (voir recette dans la section Beignets).

Couper en gros bâtonnets, **légèrement** plus épais que pour les frites à la française:

650 **g/ 1-1/2** lb. de pommes de terre à cuire

Plonger dans l'eau froide pendant 30 min. Égoutter et bien sécher. Frire **à l'huile jusqu'à** ce qu'elles soient dorées. Sortir du bain, égoutter et garder au chaud. Faire frire le poisson jusqu'à ce qu'il soit doré. Disposer les pommes de terre et le poisson sur un plateau et servir avec:

Vinaigre de cidre chaud

POUR **4** PERSONNES

HUÎTRES FRITES

Chauffer la friteuse à **190°C/ 375°F**.

Faire égoutter:

12 grosses huîtres sorties de leur coquille

Bien les sécher entre des serviettes. Battre:

1 œuf

2 cuillerées à soupe d'eau

En plantant une fourchette dans le muscle des huîtres, les tremper dans l'œuf, puis dans de la:

Chapelure assaisonnée, une nouvelle fois dans l'œuf puis **à nouveau** dans la chapelure.

Laisser **sécher** les huîtres sur une grille pendant 30 min. Les frire pendant 4 minutes environ.

POUR **2** PERSONNES

CREVETTES FARCIES FRITES

Décortiquer et déveiner:

10 crevettes **géantes**

En faire un hachis et ajouter:

6 châtaignes d'eau

qui auront été finement hachées au couperet.

Décortiquer en laissant les queues intactes et déveiner:

14 crevettes **géantes**

Fendre dans le sens de la longueur suivant le côté **déveiné**, sans séparer les deux moitiés.

Les poser à plat et placer au creux de chaque crevette:

Une fine julienne de prosciutto ou de jambon de Westphalie

Étaler la préparation de crevettes et châtaignes d'eau dans chaque crevette avec le jambon puis refermer partiellement la crevette avant de la paner.

Tremper dans un:

Œuf battu

puis dans de la:

Farine

Laisser sécher sur une grille pendant 15 à 20 minutes. Saisir les crevettes **par la** queue et les plonger délicatement dans l'huile chaude. Frire pendant environ 5 minutes ou jusqu'à ce-qu'elles soient dorées. Égoutter sur du papier absorbant. Servir **immédiatement**.

BEIGNETS

Cuire les Beignets pendant 3 à 7 minutes, en fonction de leur taille.

CHURROS (BEIGNETS)

350 g/ 12.25 oz de farine

2 **œufs**

75 cl (3 tasses) d'eau .

Sel

Huile d'olive ou de maïs

Sucre

Porter l'eau salée à ébullition. Ajouter la farine en une fois et **mélanger** vigoureusement à l'aide d'une cuillere en bois. Placer cette pâte dans un bol à mélanger, Incorporer les **œufs** l'un après l'autre à l'aide du batteur **Oster®** et battre jusqu'à obtenir une mélange moussieux. **Faire chauffer** l'huile dans la friteuse. À l'aide d'une machine à churro, former des churros avec la pâte. Les faire frire dans l'huile jusqu'à ce qu'ils soient doré foncé. Les sortir de la friteuse et les laisser égoutter sur des serviettes en papier pour **éliminer** l'excès d'huile. Saupoudrer abondamment de sucre.

BEIGNETS DECREVETTES

1 gros épi de maïs décortiqué

170 g/ 6 oz de grosses crevettes crues

déveinées, hachées

1/2 tasse de germes de luzerne

2 gousses d'ail hachées menu

1/2 cuillerée à thé de sel

1/2 cuillerée à thé de poivre noir moulu

3 cuillerées à soupe de lait de coco non sucré en décortiquées, boîte

1 gros œuf

1/4 tasse de carottes râpées

2 cuillerées à soupe de farine ordinaire

3 cuillerées à soupe d'huile végétale.

Cuire le maïs dans l'eau bouillante jusqu'à ce qu'il soit tendre et **croquant** (3 minutes environ). Égoutter.

Détacher les grains de l'épi et les placer dans un grand bol. Ajouter les crevettes et les cinq ingrédients suivants. Fouetter le lait de coco avec l'œuf. Incorporer dans le maïs; ajouter la farine.

Faire chauffer l'huile dans la friteuse à **180°C/356°F**. En travaillant par lot, former des galettes de **7,5 cm de diamètre** à partir de 4 cuillerées à soupe de préparation chacune et les plonger dans l'huile. Les faire dorer (5 minutes environ). Les poser sur des serviettes en papier; égoutter. Servir chaud.

BEIGNETS D'AUBERGINES

Faire chauffer la friteuse à 185°C/ 365°F.

Éplucher et couper en tranches:

Une petite aubergine

Cuire jusqu'à ce qu'elle soit tendre dans:

de l'eau bouillante à couvert.

Ajouter:

1 cuillerée à thé de vinaigre

Égoutter l'aubergine. Passer en purée. Incorporer:

1 œuf

3 cuillerées à soupe de farine

1/2 cuillerée à thé de sel

1/2 cuillerée à thé de levure chimique

Plonger les beignets dans la friteuse jusqu'à ce qu'ils soient légèrement dorés

POUR 6 PERSONNES

PÂTE À FRIRE POUR LÉGUMES, VIANDE ET POISSON

Bien mélanger dans un bol:

1-1/3 tasse (170 g) de farine ordinaire

1 cuillerée à soupe de beurre fondu ou d'huile de cuisine

1 cuillerée à thé de sel

2 jaunes d'œuf battus

1/4 cuillerée à thé de poivre

Ajouter progressivement, sans cesser de remuer:

180 ml (3/4 tasse) de bière éventée

Laisser la pâte reposer à couvert au réfrigérateur pendant 3 à 12 heures.

Juste avant utilisation, il est possible d'ajouter:

2 blancs d'œuf battus en neige ferme

Panure

Mélanger:

125 g (1 tasse) de farine ordinaire, de chapelure tamisée ou de flocons de maïs finement broyés

1 cuillerée à thé de sel

1/4 cuillerée à thé de poivre ou 1/2 cuillerée à thé de paprika

BEIGNES

BEIGNES AU LAIT SUCRÉS

Faire chauffer la friteuse à 188°C/370°C.

Battre:

2 œufs

Ajouter doucement sans cesser de battre:

250 g (1 tasse) de sucre

Incorporer:

240 ml (1 tasse) de lait

4 à 5 cuillerées à thé de shortening fondu

Tamiser avant de mesurer:

500 g (4 tasses) de farine ordinaire

Tamiser une nouvelle fois avec:

4 cuillerées à thé de levure chimique à double action

1/4 cuillerée à thé de cannelle ou 1 cuillerée à thé de zest de citron râpé

1/2 cuillerée à thé de sel

1/4 cuillerée à thé de noix de muscade

Mélanger tous les ingrédients, Cuire pendant 3 minutes.

POUR ENVIRON 16 BEIGNES

BOULETTES DE VIANDE

BOULETTES DE VIANDE À L'AIGRE-DOUX

500 g (17 oz.) de viande	1 jaune d'œuf
1 oignon moyen	125 g (1 tasse) d'amidon de maïs
2 cuillerées à soupe de xérès	Huile
2 cuillerées à soupe de sauce soja	Sel

SAUCE

1 petite boîte d'ananas en morceaux	5 cuillerées à soupe de vinaigre
1/2 boîte de jus d'ananas	3 cuillerées à soupe de sucre
1 cuillerée à soupe de sauce soja	1/2 cuillerée à soupe d'amidon de maïs

Couper le viande en morceaux d'environ 2 cm, puis les hacher à l'aide du Robot de Cuisine Oster®. Détailler l'oignon en tranches fines à l'aide du robot Oster®. Dans un bol, mélanger la viande avec l'oignon, le xérès, la sauce soja, le sel et le jaune d'œuf. Former de petites boulettes de viande puis les rouler dans l'amidon de maïs. Placer les boulettes dans l'huile chaude dans la Friteuse jusqu'à ce qu'elles soient dorées. Ne pas les frire trop longtemps. Elles finiront de cuire dans la sauce. Placer les boulettes de viande dans une casserole. Ajouter les morceaux et le jus d'ananas ainsi que les ingrédients d'assaisonnement de la sauce. Mélanger avec l'amidon de maïs. Cuire pendant 10 à 15 minutes. Servir les boulettes de viande avec du riz blanc préparé dans le Cuiseur Oster®.

CROQUETTES

Les croquettes se dorent pendant 2 à 4 minutes

AUSUJETDESCROQUETTES

Utiliser environ 180 ml (3/4 tasse) de crème épaisse ou de sauce brune pour 500 g (2 tasses) d'ingrédients solides, viande, poisson ou légumes, hachés à la main ou à la machine.

Les ingrédients solides devront toujours être bien égouttés pour les débarasser de leur eau. La sauce chaude peut être complétée de 1 ou 2 jaunes d'œuf puis laissée à épaissir légèrement hors du feu. Ajouter suffisamment de sauce chaude aux ingrédients secs pour bien les lier, tout en conservant une consistance assez ferme. À cet égard, il n'y a pas de règle stricte, l'essentiel étant que la préparation, après réfrigération, se manipule aisément. Étaler dans un plat graissé et bien réfrigérer. Il est également possible de légèrement badigeonner le dessus de beurre pour éviter le dessèchement. Après refroidissement, former des quenelles de 2,5 cm x 2,5 cm x 6 cm/ 1 x 1 x 2-1/2 po. maximum ou de petits cônes ou boulettes. Rouler dans la farine, puis enrober soigneusement de panure. Laisser sécher sur une grille pendant environ 10 minutes, paner une nouvelle fois puis laisser sécher pendant 1 heure avant de frire.

Faire chauffer la friteuse sur 190°C ou 195°C/ 375° ou 385°F puis plonger les croquettes dans l'huile, un petit nombre à la fois, en utilisant le panier (sauf indications contraires). Faire égoutter sur du papier absorbant. Il est possible de les passer brièvement au four à 175°C/ 350°C avant de servir.

Pour réchauffer les croquettes, utiliser un four à 200°C/400°F.

CROQUETTES D' ALIMENTSCUITS

Préparer:

Sauce crème (recette a la fin de cette section)

Une fois que la sauce est chaude et onctueuse, la retirer du feu et ajouter:

1 ou 2 jaunes d'œuf

et laisser épaissir légèrement. Ajouter à la sauce pour la lier:

2 tasses d'aliments solides hachés menus: viande, poisson ou légumes cuits

1 cuillerée à soupe d'oignons hachés

2 cuillerées à soupe de persil haché

Remettre la casserole sur la **cuisinière** à feu très doux et bien assaisonner avec, au choix:

Sel, poivre ou paprika

1/2 cuillerée à thé de sauce au piment

Noix de muscade fraîche râpée ou sel de céleri

2 cuillerées à thé de xérès de cuisine

2 cuillerées à thé de jus de citron

1/2 cuillerée à thé de fines herbes séchées

1 cuillerée à thé de sauce Worcestershire

1/2 cuillerée à thé de poudre de cari

Faire refroidir et, pendant sa préparation, placer au centre de chaque boulette, au choix:

Un champignon sauté

Un morceau de foie de volaille cuit.

Une olive farcie au piment doux

Un huître bien égouttée, assaisonnée ou marinée

Paner, sécher et faire frire les croquettes comme indiqué dans le paragraphe **Au sujet des croquettes** ci-dessus. Égoutter sur du papier absorbant.

POUR 12 CROQUETTES ENVIRON

CROQUETTES ' DERI ZAUFROMAGE

Combiner:

350 g (2 tasses) de riz cuit à l'eau

1/2 cuillerée à thé de paprika

1/2 tasse de fromage fort râpé

quelques grains de poivre de Cayenne

1/2 tasse de **sauce crème** (recette plus loin) sel

1 cuillerée à soupe de persil haché

Faire refroidir cette préparation et former des cônes ou des boulettes. Paner, sécher et faire frire comme indiqué dans le paragraphe **Au sujet des croquettes** ci-dessus, Égoutter sur du papier absorbant et servir immédiatement.

POUR 10 CROQUETTES ENVIRON

CROQUETTES DEVOLAILLEAU FROMAGE

500 g (17oz) de chair de poulet cuite

1 tasse de pain râpé

100 g (3.5oz) de parmesan râpé

Une pincée de noix de muscade

2 œufs

Sel et poivre au goût

1 gousse d'ail

Hacher le poulet et l'ail à l'aide du Robot de Cuisine **Oster®**. Y **mélanger** les blancs d'œuf. Incorporer rapidement le parmesan, la muscade, les jaunes d'œuf, le sel et le poivre. Bien mélanger avec la viande. Former des boulettes et les enrober de pain râpé. Placer dans la friteuse et faire dorer. Servir avec des asperges nappées de mayonnaise.

CROQUETTES AU FROMAGE

Faire fondre:

60 g (4 cuillerées à soupe) de beurre.

Incorporer:

5 cuillerées à soupe de farine

Incorporer progressivement jusqu'à épaississement:

240 ml (1 tasse) de lait

80 ml (1/3 tasse) de crème

Ajouter, à feu doux:

220 g de gruyère râpé

Laisser **légèrement** refroidir. Ajouter:

3 jaunes d'œuf battus

1/3 cuillerée à thé de paprika

3/4 cuillerée à thé de sel

Verser cette sauce épaisse dans un plat bien graissé de 15 cm x 22 cm/ 6 x 9 po. environ. Bien refroidir.

Avant utilisation, immerger le plat pendant quelques instants dans de l'eau chaude puis le retourner pour poser la préparation sur une surface plane. Découper dans la forme désirée. Paner et sécher puis faire frire dans l'huile. Egoutter sur du papier absorbant.

POUR 1 CROQUETTES

CROQUETTES DE VOLAILLE OU DE VEAU

Combiner:

200 g (1-1/2 tasse) de poulet ou de veau hache

avec:

50 g (1/2 tasse) de champignons sautés, céleri haché ou noix hachées

Ajouter, pour bien lier les ingrédients:

180 ml (3/4 tasse) environ de sauce veloutée (recette plus loin)

Laisser refroidir, former les croquettes, paner, sécher et faire frire comme indiqué dans le paragraphe

Au sujet des croquettes ci-dessus. Egoutter sur du papier absorbant.

SAUCE CRÈME POUR CROQUETTES

Faire fondre à feu doux:

3 cuillerées à soupe de beurre

Ajouter et remuer à feu doux pendant 3 à 5 minutes:

3 cuillerées à soupe de farine

Incorporer lentement:

1 tasse de lait

Ajouter:

1 petit oignon piqué de 2 ou 3 clous de girofle

1/2 petite feuille de laurier

Faire cuire et remuer la sauce au fouet ou à la cuiller en bois jusqu'à ce qu'elle soit épaisse et onctueuse. La mettre au four à **175°C/ 350°F** pendant 20 minutes pour cuire lentement. Passer la sauce au chinois et servir.

SAUCE VELOUTÉE POUR CROQUETTES

Faire fondre au bain-marie:

30 g (2 cuillerées à soupe) de beurre

incorporer:

2 cuillerées à soupe de farine

Bien **mélanger** puis ajouter lentement:

500 ml (2 tasses) de bouillon de volaille, de veau ou de poisson

et remuer à feu doux jusqu'à ce que la sauce soit **épaisse** et homogène. Ajouter:

1/4 tasse d'épluchures de champignons.

Remettre au bain-marie et laisser mijoter au-dessus de (pas dans) l'eau chaude pendant 1 heure environ, en remuant occasionnellement. Passer au chinois et ajouter:

un pincée de noix de muscade

rectifier l'assaisonnement

puis remuer occasionnellement durant le refroidissement pour éviter la formation d'une pellicule à la surface.

POUR 350 ML (1-1/2 TASSE) ENVIRON

"BOUILLON DE VOLAILLE POUR CROQUETTES

Faire blanchir:

2 kg/ 4 lb. de dos, cous, ailes et pattes de poulet

Égoutter, éliminer l'eau et amener lentement le poulet à **ébullition** dans:

4 litres d'eau froide

avec:

6 grains de poivre blanc

1 feuille de laurier

1 cuillerée **à thé** de thym

6 clous de girofle entiers

6 branches de persil

1 oignon moyen en dés

3 côtes de céleri en dés

1 carotte moyenne en dés

Réduire le feu et laisser mijoter pendant 2 h 30 min à 3 h ou jusqu'à **réduction** de moitié. Passer au chinois.

Laisser refroidir sans couvrir puis réfrigérer jusqu'à utilisation.

POUR 2 LITRES

GARANTIE LIMITÉE 1 AN

Sunbeam Products Inc. garantit à l'acheteur initial, sous couvert des limitations et exclusions stipulées ci-après, que ce produit est exempt, sous tous les aspects matériels, de tout défaut mécanique et électrique de matériel ou de fabrication pendant un an à compter de la date d'achat. Cette garantie ne couvre pas l'usure normale des pièces ni les dommages résultant des situations suivantes: usage négligent ou abusif du produit, courant ou tension d'alimentation inadaptés, utilisation en contradiction avec le mode d'emploi ou démontage, réparation ou modification par toute personne autre que le personnel d'un centre de réparation agréé.

Nos obligations dans le cadre de cette garantie se limitent à la réparation et au remplacement, au choix du fabricant, du produit pendant la durée de la garantie, à condition que le produit soit renvoyé en port payé, accompagné de son numéro de modèle et de l'original du justificatif d'achat daté, à l'adresse suivante:

Produits achetés aux États-Unis:

SUNBEAM APPLIANCE SERVICE STATION
117 Central Industrial Row
Purvis, MS 39475

Produits achetés au Canada:

SUNBEAM APPLIANCE SERVICE STATION (KND)
S'il vous plaît 'appel 1-800-663-8623 ou email nous
consumeraffairs@consumer.sunbeam.com

Ne pas renvoyer l'appareil au revendeur ou au fabricant ; ceci aurait pour effet de retarder le traitement de la demande de garantie.

Pour toute question relative à cette garantie ou pour obtenir l'adresse du centre de réparation agréé le plus proche, appeler sans frais le 1-800-597-5978 ou écrire au Sunbeam – Consumer Affairs, P.O. Box 948389, Maitland, FL 32794-8389.

Au Canada, pour toute question relative à cette garantie ou pour obtenir l'adresse du centre de réparation agréé canadien le plus proche, appeler sans frais le 1-800-667-8623. Pour toute question relative à cette garantie ou pour obtenir l'adresse du centre de réparation agréé le plus proche en-dehors des États-Unis et du Canada, consulter la carte de service de la garantie jointe à l'emballage du produit.

AVERTISSEMENT

La réparation ou le remplacement du produit suivant les termes de cette garantie constituent votre unique recours. **SUNBEAM PRODUCTS, INC. NE POURRA ÊTRE TENUE RESPONSABLE DE DOMMAGES ACCESSOIRES OU INDIRECTS POUR RUPTURE D'UNE QUELCONQUE GARANTIE EXPRESSE OU IMPLICITE CONCERNANT CE PRODUIT OU UNE PARTIE DE CE PRODUIT. DANS LES LIMITES DE LA RÉGLEMENTATION EN VIGUEUR, SUNBEAM PRODUCTS, INC. N'OFFRE AUCUNE GARANTIE IMPLICITE QUANT À L'ADÉQUATION DE CE PRODUIT OU D'UNE PARTIE DE CE PRODUIT À UN USAGE PARTICULIER OU À LA COMMERCIALISATION.** Certains états ou provinces n'autorisant pas l'exclusion ou la limitation des dommages accessoires ou indirects ou autorisant uniquement des limitations sur la durée de validité d'une garantie implicite, les limitations et exclusions ci-dessus peuvent ne pas s'appliquer à votre situation. Cette garantie vous accorde des droits juridiques particuliers et il est possible que vous ayez d'autres droits, différents d'un état ou d'une province à l'autre.

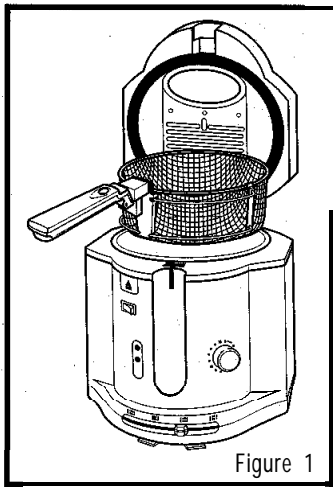
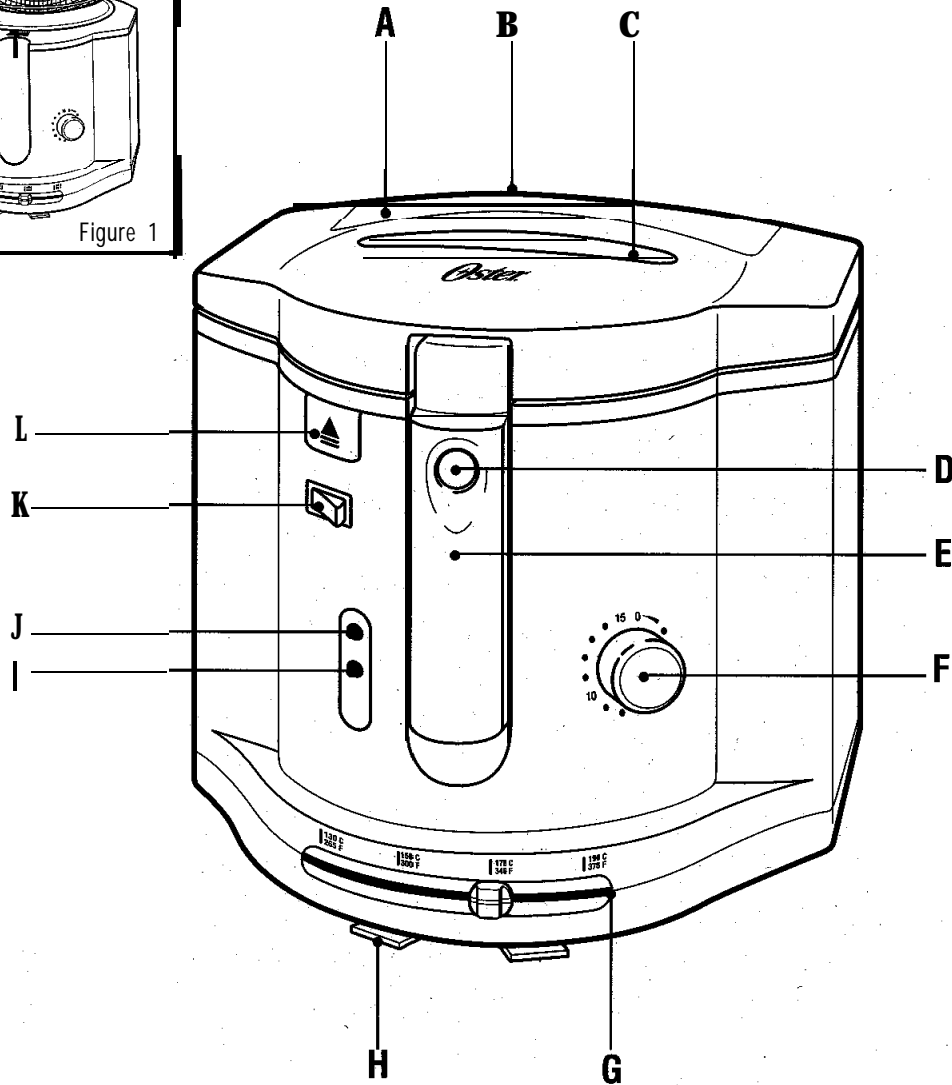


Figure 1



CONOCIENDO SU FREIDORA OSTER

- | | |
|--|--------------------------------------|
| A. Sistema de Doble Filtración | F. Cronómetro |
| B. Bandeja Recolectora de Condensación
(en la parte trasera de la unidad) | G. Termostato Ajustable |
| C. Ventana para Visibilidad | H. Abrazaderas para Enredar el Cable |
| D. Botón para Bajar la Canasta (presione el
botón cuando el asa esté localizada en
posición horizontal para bajarla) | I. Luz Indicadora Templada |
| E. Asa Control de la Canasta | J. Luz de Encendido "On" |
| | K. Interruptor Encendido/Apagado |
| | L. Botón para Abrir |

PRECAUCIONES IMPORTANTES

Cuando use aparatos eléctricos, siempre debe de seguir algunas precauciones básicas de seguridad, incluyendo las siguientes:

1. **. LEA Y GUARDE TODAS LAS INSTRUCCIONES.**
2. Este aparato usa aceite caliente, es muy importante asegurarse de que esté colocado en un lugar seguro mientras está en operación O mientras el aceite está caliente. Verifique que el cordón eléctrico no esté mal colocado o presente la posibilidad de que alguna persona se enrede o tropiece con él.
3. NO MUEVA LA FREIDORA CUANDO EL ACEITE ESTÉ CALIENTE O DURANTE LA COCCIÓN .
4. SUPERVISIÓN CERCANA ES NECESARIA CUANDO EL APARATO ESTÁ EN USO O CUANDO EL ACEITE ESTÁ CALIENTE.
5. No toque las superficies calientes. Siempre use guantes de cocina y permita que las partes de metal se enfrien antes de limpiarlas. Permita que la unidad se enfrie completamente antes de agregar o remover partes.
6. **Desconecte** la Freidora de la toma de corriente cuando la unidad no esté en uso y antes de limpiar. Nota: Asegúrese de que la Freidora se encuentre en la posición de **APAGADO/OFF "0"** antes de desconectar.
7. Para protegerse de una descarga eléctrica, no sumerja el aparato o el enchufe en agua o en otros líquidos
8. Este aparato no debe ser utilizado por niños. Es necesaria una supervisión cercana cuando éste o algún otro aparato sea utilizado cerca de niños.
9. No opere éste o algún aparato con un cordón o enchufe que esté dañado o quemado.
10. No opere ningún aparato si el cable o el enchufe están dañados o después de que ha funcionado mal, se ha caído o tenga algún daño cualquiera que éste sea. Regrese el aparato a la Estación de Servicio Oster más cercana **para** su examinación, reparación o ajuste eléctrico O mecánico.
11. No utilice **accesorios** no recomendados por el fabricante. Pueden causar incendio, descarga eléctrica o lesiones personales.
12. No use en exteriores o con propósitos comerciales. Use este aparato sólo para, lo que está diseñado.
13. No permita que el cable cuelgue del mostrador o de la mesa, o toque superficies calientes.
14. No coloque el aparato sobre o cerca de la llama de una estufa de gas, eléctrica, dentro **de** un horno caliente.
15. No coloque ningún objeto por encima o cerca de este aparato en ningún momento. Para prevenir un incendio, mantenga este aparato alejado del contacto con cualquier material flamable como: cortinas, telones, paredes, materiales plásticos, etc. en todo momento.

16. No coloque materiales inflamables adentro o cerca de la Freidora, como papel, cartones o plásticos.
17. Alimentos o comida demasiado grandes, no deben ser introducidos dentro de la Freidora, ya que esto puede ocasionar incendios.
18. No limpie el aparato con esponjas metálicas o de materiales abrasivos. (Se pueden desprender pequeñas partes de la esponja y tocar partes eléctricas resultando esto en un riesgo de descarga eléctrica).
19. NO USE CON UN CORDÓN DE EXTENSIÓN.
20. Asegúrese de que las asas estén correctamente ensambladas a la canasta y seguras en su lugar. Vea las instrucciones detalladas.

GUARDE ESTAS INSTRUCCIONES

PARA USO DOMÉSTICO SOLAMENTE

PARA PRODUCTOS COMPRADOS EN ESTADOS UNIDOS Y CANADÁ SOLAMENTE:

- Este aparato tiene una clavija polarizada de corriente alterna (una de las patas es más ancha que la otra). Para reducir el riesgo de descarga eléctrica, como una medida de seguridad, esta clavija entra sólo de una manera en una toma de corriente. Si la clavija no encaja en la toma de corriente, simplemente colóquela al revés. Si aún así no encaja, **contacte** un electricista calificado para reemplazar la toma de corriente obsoleta.

DE NINGUNA MANERA INTENTE MODIFICAR ESTA MEDIDA DE SEGURIDAD.

CONOCIENDO SU NUEVA FREIDORA ANTES DE USAR SU FREIDORA POR PRIMERA VEZ

- Lea todas las secciones del manual de instrucciones con atención
- Saque la **freidora** del empaque y remueva todas las etiquetas grandes que se desprendan fácilmente y que están en la parte lateral de la unidad.
- Eleve el asa de la canasta a su nivel más alto, en posición horizontal (usted escuchará un sonido "click") y después levante la canasta y sáquela de la freidora.
- Remueva todos los documentos impresos y cualquier accesorio que esté en la canasta.
- Limpie la canasta para freír y la cacerola de cocción con agua caliente, una pequeña cantidad de jabón líquido para limpiar platos y una esponja no abrasiva. Nunca sumerja el cuerpo de la unidad en agua. Limpie bien el interior de la tapa y la parte exterior del aparato con un trapo húmedo y limpio. Seque bien la unidad antes de usarla.

- Una Bandeja Recolectora de Condensación ha sido diseñada en la Freidora y está localizada en la parte trasera de la unidad abajo de la tapa. La tapa ha sido diseñada para canalizar la condensación que se acumula adentro de la tapa y enviarla a la parte trasera de la unidad a la Bandeja Recolectora de Condensación. Para vaciarla, simplemente remueva la Bandeja y deseche el agua que se haya acumulado.

USANDO su FREIDORA POR PRIMERA VEZ

- **IMPORTANTE:** Nunca llene la canasta a más de la mitad con alimentos (1/4 o 1/2 a lo máximo), ya que esto puede causar que la temperatura del aceite baje más allá de la temperatura óptima para freír y los alimentos no quedarán ligeros y crujientes como debe ser.
- Presione el botón **OPEN/ABRIR** y abra la tapa
- Levante el asa. Levante la canasta al punto más alto hasta que escuche el sonido de un "click".
- Remueva la canasta.
- Vacíe el aceite en la cacerola, necesita un mínimo de 1.5 L o un máximo de 2.0 L.
- Para freír use únicamente aceite vegetal de buena calidad, aceite puro de maíz o aceite de olivo. No recomendamos usar aceites que se deterioran rápidamente como el aceite de semillas de girasol, manteca o grasa de carnes. Los alimentos fritos en mantequilla o margarina no son recomendados porque humean a bajas temperaturas.
- Limpie el interior de la ventana para visibilidad con un poco de aceite para prevenir la condensación.
- Coloque los alimentos en la canasta (máximo 500 gr. si se utiliza la función de ciclos). No llene de más la canasta.
- Coloque los alimentos tan secos como sean posibles dentro de la canasta.
- No agregue agua o alimentos mojados o húmedos al aceite de cocción. El agua ocasionará que el aceite salpique.
- Asegúrese de secar bien los alimentos antes de freír.
- Coloque piezas de tamaños uniformes de alimentos en la canasta para asegurar una cocción uniforme.
- Coloque la canasta en la cacerola nuevamente.
- Presione la tapa suavemente sobre la cacerola.
- Conecte el enchufe en la toma de corriente adecuada.

- Encienda la unidad en **ENCENDIDO/ON**. La luz roja de "encendido" y la luz amarilla de "temperatura" brillarán.
- Ajuste el termostato deslizable a la temperatura deseada (**270°F/132°C - 380°F/193°C**).
- Cuando la temperatura deseada se ha alcanzado, la luz amarilla de "temperatura" se apagará. Caliente previamente la freidora por 15 minutos antes de usar por primera vez; para los siguientes usos, no es necesario el calentamiento previo del aparato.
- Presione el botón en el asa. Baje la canasta suavemente empujando hacia abajo el asa.
- Gire la perilla del cronómetro al tiempo deseado de cocción (máximo 15 minutos).
- Durante la cocción, usted puede observar un poco de vapor saliendo por los orificios de la ventila del filtro en la parte superior de la tapa - esto es normal; sin embargo, evite tocar o estar cerca de ésta zona mientras se está freiendo. También tenga cuidado cuando abra la tapa, ya que el vapor generado durante la cocción puede escapar mientras la tapa está abierta.
- Cuando el tiempo de cocción deseado sea ha alcanzado, el cronómetro emitirá un sonido de aviso (si usa la función de ciclos, la canasta automáticamente se elevará fuera del aceite y escurrirá el aceite de los alimentos).
- Levante el asa, eleve la canasta al punto más alto hasta que escuche el sonido de un "click".
- Saque la canasta y coloque los alimentos en platos (o primero colóquelos sobre toallas de papel para ayudara absorber cualquier exceso de aceite que haya quedado en el exterior de los alimentos).
- Desconecte la freidora.
- El aceite se puede vertir en un contenedor cuando la freidora se ha enfriado (usted puede usar la canasta para freír como **coladera/filtro** usándola sobre-el contenedor donde almacene el aceite, mientras vacía éste al contenedor).

CANASTA PARA FREÍR

- Para usar la canasta para freír, primero asegure el asa en el freno de la canasta. Usted puede elevar y bajar la canasta, simplemente al levantar el asa hasta que se escuche el sonido de un "click". Para bajar la canasta, simplemente presione el botón en el asa y lentamente baje la canasta. Usando esta función usted puede subir y bajar la canasta de una forma segura dentro y fuera del aceite, sin ni siquiera abrir la tapa.
- Con el Control de la Canasta en la posición "UP /ARRIBA", la canasta puede ser removida y remplazada en la freidora.

TAPA CON CIERRE DE SEGURIDAD

- Para quitar el seguro de la tapa, presione el botón que libera la tapa. Esto dejará salir mucho vapor y despresurizará el contenedor después de la cocción. Debe tener cuidado extremo para asegurarse que las manos no estén sobre el aparato cuando se libera el vapor.

SISTEMA DE DOS FILTROS

- La tapa tiene un sistema de doble filtración: uno recolecta las gotas de aceite del vapor y pasa por los filtros, el otro está activado por carbono que ayuda a minimizar los olores. Después de varias sesiones de cocina, los filtros deben ser reemplazados.

COMO REEMPLAZAR LOS FIITROS

- Remueva el seguro y saque la cubierta del filtro.
- Hay dos tipos de filtros: El filtro del **aceite**(filtro color blanco) previene que salga vapor del aceite, el filtro de carbono (filtro negro) previene que se liberen olores. Para ordenar filtros adicionales, por favor llame a nuestra Línea de Servicio al Cliente al (800) 597-5978.
- Después de limpiar o reemplazar los filtros, siempre revise que el filtro blanco esté colocado sobre la superficie de metal abajo del filtro activado por carbono.

GUÍA PARA COCINAR

- Los tiempos para freír que se indican en la siguiente tabla son sólo una guía y deben de ajustarse de acuerdo a la cantidad de **alimento** que se va a freír.

ALIMENTO	TEMPERATURA (°C/°F)	TIEMPO APROXIMADO DE COCCIÓN (MINUTOS)
Champiñones	150°C/ 302°F	3 - 4
Pollo Empanizado	170°C/ 338°F	12 - 15
Tiras de Pollo	180°C/ 356°F	3 - 4
Camarones	130°C/ 266°F	3 - 4
Pescado Empanizado	150°C/ 302°F	4 - 6
Filete de Pescado	150°C/ 302°F	4 - 5
Pescado Capeado	180°C/ 356 ° F	5 - 7
Papas Fritas, delgadas	190°C/ 374°F	2 - 4
Papas Fritas, gruesas	170°C/ 338°F	7 - 10

SUGERENCIAS

- Seleccione la temperatura para freír tomando en cuenta el tipo y la cantidad de alimento que va a cocinar.
- Como una guía general, los alimentos que han sido **precocidos** de cualquier manera, pueden necesitar una temperatura más alta y menos tiempo de cocción que aquellos alimentos que están completamente crudos.

LIMPIANDO LA FREIDORA

- No sumerja la freidora en agua.
- Limpie el exterior con un trapo seco y húmedo o con toallas de papel.
- Antes de limpiar la Freidora, siempre asegúrese que este en la posición de **APAGADO/OFF "0"** y que esté desconectada de la toma de corriente. También verifique que la unidad y el aceite estén completamente fríos. El aceite retiene su temperatura por un periodo más largo después de usarse. No intente mover o cargar la freidora mientras esté caliente todavía.
- Vacíe y limpie la bandeja de condensación.
- El aceite puede ser usado varias ocasiones. Sin embargo, debe de ser filtrado después de cada uso.
- Después de escurrir el aceite, la freidora debe ser limpiada primero con papel absorbente. Después use un paño húmedo y un poco de jabón. Finalmente, use un paño seco. No sumerja la unidad en agua bajo ninguna circunstancia.
- No use cepillos, limpiadores químicos o materiales abrasivos para limpiar la unidad.
- La canasta puede ser lavada en agua jabonosa.

LIMPIANDO LA TAPA

- La tapa puede ser lavada en agua tibia y con jabón.
- Asegúrese de remover ambos filtros antes de limpiar la tapa.
- No lave la tapa en lavavajillas.

ALMACENANDO LA FREIDORA

- Permita que el aparato se enfríe completamente antes de almacenarlo. Guarde la Freidora en un lugar seco. El cordón eléctrico puede ser fácilmente almacenado al enredarlo alrededor del espacio para guardar el cable, que está abajo de la unidad. mantenga el cordón alejado del alcance de los niños.

SOLUCIONANDO PROBLEMAS

PROBLEMA	CAUSAS POTENCIALES	SOLUCIÓN
Liberar los Olores no agradables.	El filtro de carbón está saturado.	Reemplace el filtro <i>(vea la pagina de instrucciones).</i>
	El aceite está deteriorado.	Cambie el aceite cada 10-12 veces que use la freidora.
	El aceite no es el adecuado para freír.	Use aceite vegetal de buena calidad, aceite de semillas de girasol, aceite de maíz.
Liberar el vapor que está bajo la orilla de la tapa..	La tapa no está bien cerrada.	Asegúrese de que la tapa esté bien cerrada..
Los alimentos están suaves y no están crujientes en el exterior.	Demasiada comida ha sido frita al mismo tiempo.	Fría la comida en cantidades más pequeñas (<i>especialmente cuando fría alimentos congelados</i>).

RECETAS

POLLO FRITO

1 Pollo cortado en piezas
1 taza de harina
Aceite

1/4 de cucharada de sazónador de pollo
1-1/2 cucharadas de sal
1/4 de cucharada de pimienta

Sazone el pollo con sal y pimienta. En una bolsa de plástico, vacíe 1 taza de harina, 1-1/2 cucharada de sal. Coloque de 4 a 5 piezas de pollo dentro de la bolsa y sacúdala hasta que las piezas estén bien cubiertas. Precaliente el aceite en la Freidora. Coloque primero las piezas más grandes de pollo en la Freidora, y después las más pequeñas. Cuando el pollo esté cocinado y dorado, saque del aceite y deje escurrir en la canasta para freír para remover el exceso de aceite.

AROS DE CEBOLLA A LA FRANCESA

2 cebollas grandes cortadas en aros de 1/4 pulg./0.6 cm. de ancho o rebinadas delgadas
Combine:
1 taza de leche

1 taza de agua

Remoje las cebollas en la mezcla de leche y agua por 1/2 hora. Escúrralas y colóquelas sobre papel absorbente, cúbrala con la Mezcla para Freír Vegetales (receta en la sección de Frituras). Fría en el aparato precalentado a 350° F - 370° F / 176° C - 187° C hasta que esté dorado. Escorra en papel absorbente.

CAMOTE

Lave y hierva por 10 minutos: camotes grandes

Pele y corte el camote en tiras. Fría las tiras de camote en la freidora hasta que estén doradas. Escúrralas sobre papel absorbente. Rocíelas con sal, azúcar morena y con nuez moscada recién rallada.

Para flamearlas, antes de servir coloque el camote en una cacerola. Rocíe sobre ellas: 2 cucharadas de brandy tibio, ron o aguardiente de manzana. Encienda e incline el sartén hacia atrás hasta que la llama se apague.

RINDE: 4 PORCIONES

PESCADOS Y MARISCOS

PESCADO FRITO

Precaliente la freidora a 370° F / 187° C

Limpie y prepare para cocinar:

Pequeñas piezas de pescado de un ancho de 1 pulg./2.54 cm.

Sumérjalos en:

La Mezcla para Freír Pescado (receta en sección de Frituras)

Fría por un tiempo de 5 a 8 minutos, o hasta que esté dorado. El pescado se elevará a la superficie cuando esté listo.

Escorra sobre un papel absorbente. Sirva muy caliente con rodajas de limón o salsa tártara.

RINDE: FRÍA 1/2 LB./450 GR.

CADA VEZ

PESCADO Y PAPAS

Precaliente la freidora a **375° F /190° C**

Corte en piezas de tamaño uniforme para servir:

1-1/2 lbs./ 680 gr. de filete de lenguado cúbrala con la Mezcla para Freír Pescado (receta en sección de Frituras)

Corte en tiras uniformes, ligeramente más grandes que papas fritas:

1-1/2 lbs. / 680 gr. de papas para hornear maduras.

Remoje en agua fría por **1/2 hora**. Escurra y seque bien. Fría en aceite caliente hasta que **estén** doradas. Sáquelas, escurra y **manténgalas** calientes. Sumerja en el aceite el pescado empanizado hasta que el exterior **esté** dorado. Coloque el pescado y las papas fritas en un plato y sirva como dip: vinagre de manzana..

RINDE: 4 **PORCIONES**

FRITURAS

Las frituras deben cocinarse de 3 a 7 minutos, **dependiendo** del tamaño de la pieza

CHURROS (FRITURAS) ,

12.25 oz/**350** gr. de harina

2 huevos

3 tazas de agua (750 ml.)

Sal

Aceite de oliva o de maíz

Azúcar

Coloque agua sal en una cacerola y hierva. Agregue toda el harina al mismo tiempo y mezcle vigorosamente con una cuchara de madera. Coloque la masa en un tazón para mezclar. Mezcle los huevos uno por uno, usando su Batidora **Oster®** hasta que se empiecen a formar burbujas. Caliente el aceite en la Freidora. Usando una máquina para churros, coloque la masa y empiece a formar los churros. Fría los churros en el aceite hasta que **esté** de un color dorado oscuro. Sáquelos de la Freidora permita que escurran el aceite sobre las toallas de papel para remover el exceso de aceite. Espolvoree mucha azúcar sobre los churros.

MEZCLA PARA **FREÍR** VEGETALES, CARNES Y PESCADOS

Coloque en un tazón y mezcle bien:

1-1/3 tazas de harina

1 cucharada de sal

1/4 cucharadita de pimienta

Agregue gradualmente, revolviendo constantemente;

3/4 taza de levadura de cerveza

Permita que la mezcla permanezca cubierta en el refrigerador por 3 ó 12 horas.

Antes de usarla agregue 2 yemas de huevo batidas a punto de turrón

Uniando la Mezcla

Mezcle:

1 taza de harina, pan finamente rallado y tamizado o hojuelas de maíz finamente molido

1 cucharadita de sal

1/4 cucharadita de pimienta o **1/4** de cucharadita de pimentón

RINDE: **SUFICIENTE PARA** CUBRIR 2 **TAZAS** DE ALIMENTOS

GARANTÍA DE 1 AÑO

Sunbeam Products Inc. garantiza al comprador original, sujeto a limitaciones y exclusiones que se estipulan en seguida, que este producto estará libre de defectos mecánicos y eléctricos en el material y en la mano de obra durante un año a partir de la fecha de compra. Esta garantía no cubre el desgaste de partes o daños resultantes de cualquiera de lo siguiente: uso negligente o mala utilización del producto, uso con un voltaje o corriente no adecuado, uso contrario a las instrucciones de operación, desensamble, reparaciones o alteraciones hechas por cualquier persona que no sea de un centro de servicio autorizado.

Nuestra obligación está limitada a la reparación o a la reposición, bajo la opinión del fabricante, de este producto durante el período de la garantía, si el producto se envía gastos previamente pagados, con el número de modelo y la fecha original de compra, directamente a la siguiente dirección:

Para productos comprados en Estados Unidos:

SUNBEAM APPLIANCE SERVICE STATION
117 Central Industrial Row
Purvis, MS 39475

Para productos comprados en Canadá:

SUNBEAM APPLIANCE SERVICE STATION(KND)
Por favor llámenos al 1-800-663-8623 o envíenos un email a
consumeraffairs@consumer.sunbeam.com

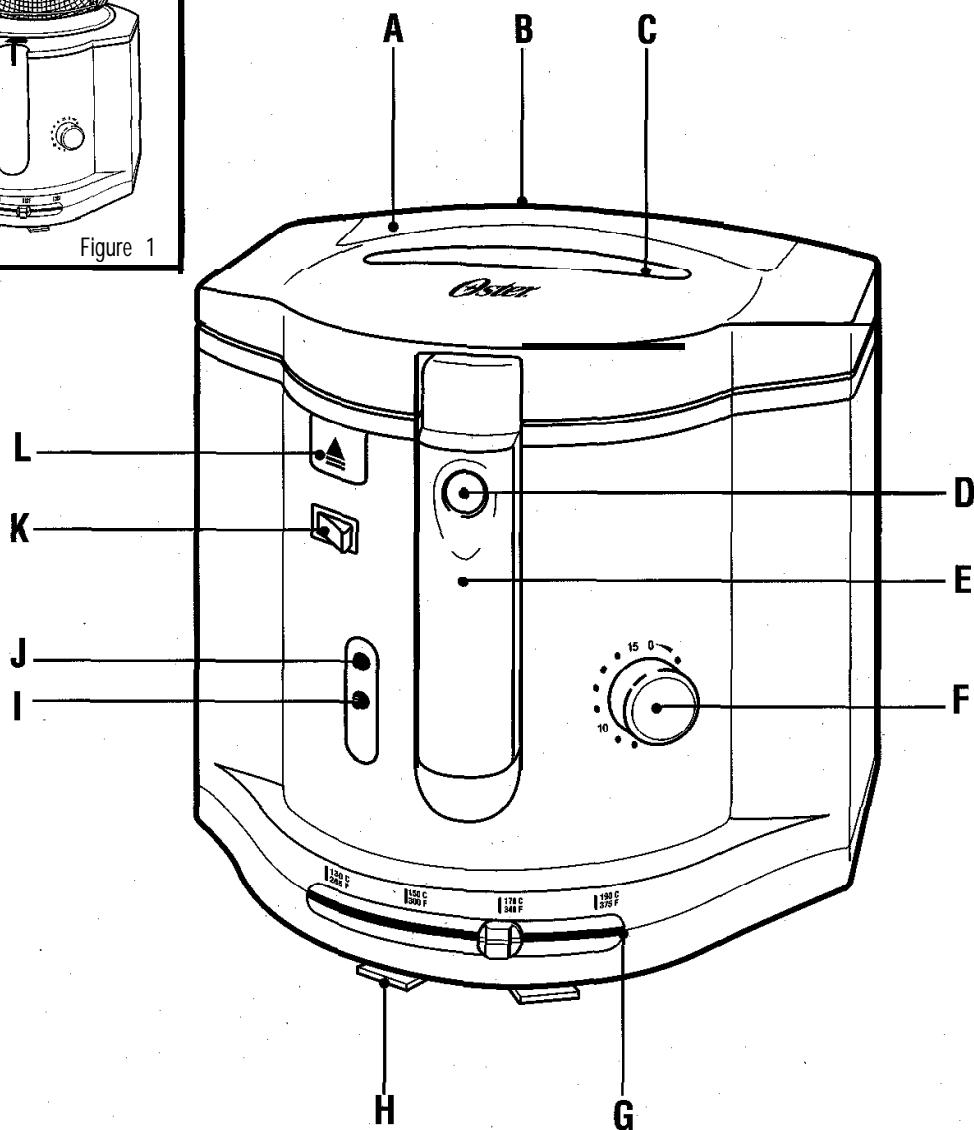
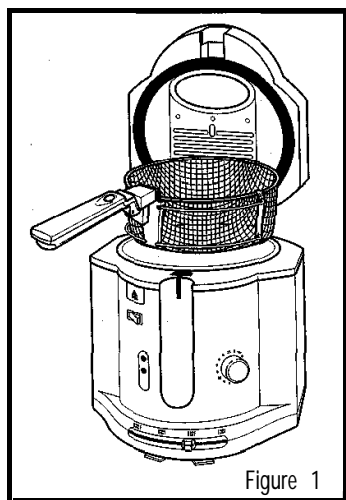
No regrese este producto al lugar de compra o al fabricante; al hacer esto retrasará el proceso del reclamo de su garantía.

Respuestas a sus preguntas sobre esta garantía o sobre la estación de servicio autorizado más cercano se pueden obtener llamando sin costo al 1-800-597-5978 o escriba a Sunbeam - Consumer Affairs, al P.O. Box 948389, Maitland, FL 32794-8389. Respuestas a preguntas sobre esta o sobre la estación de servicio autorizado canadiense más cercano se pueden obtener llamando sin costo al 1-800-667-8623. Para información sobre la garantía o sobre la localización de un centro de servicio autorizado fuera de los Estados Unidos y Canadá, por favor revise la tarjeta garantía del servicio que se incluye en el empaque del producto.

RECHAZO DE RESPONSABILIDADES

Reparación de productos o reposiciones como se ofrecen en esta garantía es su único remedio. SUNBEAM PRODUCTS, INC. NO SE HACE RESPONSABLE POR **CUALQUIER** DAÑO INCIDENTAL O CONSECUENTE QUE OCURRA POR LA VIOLACIÓN DE LOS TÉRMINOS **EXPLÍCITOS** O **IMPLÍCITOS** DE LA **GARANTÍA** DE ESTE PRODUCTO O DE CUALQUIER PARTE DE ESTE. A EXCEPCIÓN DEL ALCANCE PROHIBIDO POR LA LEY APLICABLE, SUNBEAM PRODUCTS, INC. RECHAZA TODA RESPONSABILIDAD DE CUALQUIER **GARANTÍA IMPLÍCITA** O COMERCIAL, O AJUSTES HECHOS PARA UN PROPÓSITO EN PARTICULAR SOBRE ESTE PRODUCTO O CUALQUIER PARTE DE ESTE.

Algunos estados y provincias no permiten la exclusión o limitación de daños imprevistos o consecuentes, o permiten limitación en la duración de una garantía implícita, así que las limitaciones o exclusiones arriba mencionadas pueden no ser aplicables para usted. Esta garantía le da a usted derechos legales específicos, y puede también tener otros derechos que pueden variar de estado a estado o de provincia a provincia.



CONHEÇA A SUA FRITADEIRA OSTER®

- | | |
|---|---|
| A. Sistema Duplo de Filtração | F. Timer |
| B. Cesta Coletora de Condensação
(na parte da trás da unidade) | G. Termostato Ajustáveis |
| C. Janela para Observação | H. Compartimento para Guardar o Fio Elétrico |
| D. Botão para Abaixar a Cesta (aperte o botão quando a alça estiver na horizontal, trancado para abaixar a cesta) | I. Luz Indicadora da Temperatura |
| E. Alças de Controle da Cesta (Levanta a cesta) | J. Luz Indicadora de Quando o Aparelho estiver "Ligado" |
| | K. Botão Ligado/Desligado |
| | L. Botão para Abrir |

PRECAUÇÕES IMPORTANTES

Sempre que utilizar eletrodomésticos, você deve tomar algumas medidas básicas de segurança, como as que seguem:

1. **LEIA E GUARDE TODAS AS INSTRUÇÕES.**
2. Este aparelho utiliza óleo muito quente, e é importante ter certeza que a **unidade** está em um lugar seguro enquanto estiver em uso **OU** enquanto o óleo estiver quente. Certifique-se que o fio não **esteja** solto **OU** apresente o perigo de alguém **tropeçar**.
3. **NÃO** MOVA A FRITADEIRA ENQUANTO O ÓLEO ESTIVER QUENTE **OU** DURANTE O COZIMENTO.
4. **É** NECESSÁRIO UMA SUPERVISÃO CONSTANTE QUANDO O ELETRODOMÉSTICO ESTIVER EM USO **OU** QUANDO O ÓLEO ESTIVER QUENTE.
5. Não toque **as superfícies** quentes. Sempre use luvas para o forno quando estiver **lidando** com materiais quentes. Deixe que a **unidade** esfrie completamente antes de limpar **OU** guardar.
6. **Desconecte** a fritadeira da tomada quando a **unidade** não estiver em uso e antes da limpeza. Nota: Certifique-se de que a Fritadeira está DESLIGADA "0" antes de desconectá-la.
7. Para evitar risco de choque elétrico, não submerja o fio, o tomada **OU** o aparelho em água **OU** qualquer outro líquido.
8. Este aparelho não **deve** ser utilizado por **crianças**. É necessário manter uma supervisão muito próxima quando este aparelho for usado por, em **OU** perto de **crianças**.
9. Não use este aparelho **OU** qualquer outro que **tenha** o fio **OU** a tomada **danificadas**.
10. Não opere este aparelho **OU** qualquer outro que **tenha** o fio elétrico **OU** tomada **danificados** **OU** quando o **eletrodoméstico** não funcionar devidamente, **OU** quando este for deixado **cair** **OU** que **tenha** sido **danificado** de qualquer maneira. Leve o aparelho para o Centro de **Serviços de Eletrodomésticos** para revisão **OU** **conserto**.
11. O uso de peças de **reposição** não recomendadas pelo fabricante **deste** aparelho podem causar ferimentos.
12. Não use o aparelho **ao** ar livre **OU** **comercialmente**. Não use o aparelho de outra forma que não seja a que **foi** desenhado
13. Não deixe que o fio fique pendurado **na** borda da mesa **OU** balcão **OU** que **encoste** em **superfícies** quentes.
14. Não coloque o aparelho perto de gás, do fogão **OU** dentro do forno quente.
15. Em nenhum momento, não coloque nada em cima **OU** perto do aparelho. Para prevenir fogo deixe este aparelho longe do **contato** com produtos inflamáveis **incluindo** cortinas, paredes, materiais plásticos, etc.

16. Não deixe nenhum produto inflamável perto da Fritadeira já que eles podem iniciar fogo.
17. Alimentos grandes não devem ser colocados **na sua** Fritadeira já que **estes** podem iniciar fogo.
18. Não **limpe** a Fritadeira com esponjas de **aço ou** materiais abrasivos. (**Pedaços** da esponja podem quebrar e tocar as partes elétricas resultando no risco de descarga elétrica).
19. **NÃO** UTILIZE UMA EXTENSÃO.
20. Certifique-se que as **alças estão** devidamente montadas **na** cesta e trancadas no **seu** lugar. Veja as **instruções** detalhadas.

GUARDE ESTAS INSTRUÇÕES

ESTE APARELHO É SOMENTE PARA USO DOMÉSTICO

PARA PRODUTOS COMPRADOS SOMENTE NOS ESTADOS UNIDOS & CANADÁ:

Para evitar risco de choque elétrico, este aparelho conta com um plug polarizado (um dos contatos é mais largo do que o outro). Como recurso de **segurança**, este plug encaixa-se somente em um plug unidirecional polarizado. Se o plug não se encaixar totalmente dentro da tomada, inverta o mesmo. Se ainda assim não encaixar, contate um electricista competente. **NÃO TENHA DESATIVAR ESTE RECURSO DE SEGURANÇA.**

CONGECENDO A SUA NOVA **FRITEIDEIRA** ANTES DE USAR A SUA FRITADEIRA PELA PRIMEIRA VEZ

- Leia cuidadosamente todas as **seções** do manual de **instruções**.
- Retire a fritadeira do empacotamento e **remova** todas as etiquetas **na** parte lateral da **unidade**.
- Eleve a cesta em seu nível mais alto, na **posição** horizontal (**você** escutará um "Click") e depois levante a cesta para fora da fritadeira.
- Remova todos os documentos impressos e qualquer acessórios da cesta.
- Limpe a cesta para fritar e a panela para cozinhar com água quente, urna pequena **porção** de detergente e urna esponja não abrasiva. Nunca submersa o **corpo** da unidade em água. Limpe o lado de dentro da tampa e a superfície exterior com um pano limpo e úmido. Seque minuciosamente antes de usar.

- A cesta Coletora de **Condensação** foi desenhada dentro da Madeira FryRight™ e está localizada na parte de trás da unidade embaixo da tampa. A tampa foi desenhada para canalizar a **condensação** acumulada na parte de dentro da tampa, na parte de trás da unidade e dentro da Bandeja Coletora. Para esvaziar, simplesmente remova a Bandeja Coletora e jogue a água acumulada fora.

USANDO A SUA FRITADEIRA PELA PRIMEIRA VEZ

- **IMPORTANTE:** Nunca encha a cesta mais da metade de alimentos (1/4 a 1/2 é melhor), já que isto fará com que a temperatura do óleo diminua para mais baixo que a temperatura ideal para fritura e causará que o alimento não fique leve e crocante.
- Pressione o botão OPEN/ABRIR para abrir a tampa.
- Levante a **alça**. Eleve a cesta para a sua **posição** mais alta até que se **ouça** um "click".
- Remova a cesta.
- Despeje o óleo dentro da panela, no mínimo 1.5 L e no máximo 2.0 L.
- Use somente óleo vegetal de boa qualidade, óleo de milho puro ou azeite leve para frituras mais profundas. Nós não recomendamos usar óleos que deteriorizam rapidamente como óleo de girassol. Fritar alimentos em manteiga ou margarina não é recomendado porque criam **fumaça** em baixas temperaturas.
- Limpe o interior da janela de **observação** com um pouco de óleo para prevenir a **condensação**.
- Coloque o alimento dentro da cesta. Não encha a cesta.
- Coloque o alimento o mais seco possível dentro da cesta.
- Não adicione água ou alimentos molhados para serem cozinhados em óleo. A água fará com que o óleo espirre.
- Certifique-se de secar bem os alimentos antes de fritá-los.
- Coloque **pedaços** de alimentos uniformes dentro da cesta para ter um cozimento mais homogêneo.
- Coloque a cesta dentro da panela.
- Pressione a tampa levemente para fechar a panela.
- Insira o plug na tomada adequada.
- LIGUE a unidade. Ambas as luzes vermelha "ligado" e a amarela "temperatura" acenderão.
- Ajuste o termostato para na temperatura desejada. (270°F/132°C a 380°F/193°C).

- Quando a temperatura desejada seja atingida, a luz amarela "temperatura" irá apagar. Ao usar pela primeira vez, **aqueça** antes o aparelho durante 15 minutos; não é necessário **aquecer** antes nas outras vezes.
- Pressione o botão na alça. Abaixar a cesta delicadamente abaixando a alça.
- Gire o botão do Timer para o tempo de cozimento desejado (máximo 15 minutos).
- Durante o cozimento, VO& poderá ver saída vapor através das aberturas da **ventilação** do filtro na parte de cima da tampa - isto é normal, entretanto, evite esta área durante a fritura. Também, tenha cuidado quando abrir a tampa, uma vez que o vapor produzido pelo cozimento será liberado no momento em que a tampa for aberta.
- Quando o tempo de cozimento desejado seja atingido, o Timer irá tocar (caso **você** esteja usando a **função** de ciclos, a cesta será elevada automaticamente para for a do alcance do óleo e irá escorrer o excesso de óleo dos alimentos.
- Levante a **alça**, eleve a cesta para a **posição** mais alta até que se possa ouvir um "click".~
- Pressione o botão OPEN/ABERTO para abrir a tampa.
- Retire a cesta e coloque o alimento em pratos (ou primeiro coloque-os em papel toalha para absorver qualquer excesso de óleo que esteja na parte exterior do alimento).
- Desconecte a fritadeira.
- O óleo pode ser despejado e drenado quando a fritadeira estiver esfriado (você pode usar a cesta para fritar para segurar como escorredor/filtro acima do recipiente de **armazenamento** enquanto você despeja o óleo para o recipiente).

CESTA PARA FRITAR

- Para usar a cesta, primeiro tranque a **alça** na cesta. Você pode elevar a abaixar a cesta simplesmente levantando a **alça** até que **você** escute um "click"; para abaixar a cesta, simplesmente pressione o botão na **alça** e abaixe a cesta lentamente. Usando essa característica você pode elevar e abaixar a cesta com **segurança** dentro e fora do óleo sem ter que abrir a tampa.
- **Com** o Controle da Cesta para a **posição** UP/ACIMA, a cesta pode ser removida e colocada novamente dentro da Fritadeira.

TAMPA COM TRANCA PARA SEGURANÇA

- Para destrancar a tampa, pressione o botão de **liberação** da tampa. Isto irá liberar o vapor quente e despressurizar o recipiente depois do cozimento. **Muito** cuidado deve ser tomado assegurar que as mãos **estão** longe do aparelho quando o vapor estiver sendo liberado.

SISTEMA DE FILTRO DUPLO

- A tampa tem um sistema de filtro duplo: um recolhe as gotas de óleo do vapor que passa pelos filtros, o outro é ativado por carbono que ajuda a minimizar os odores. Depois de vários cozimentos, os filtro devem ser trocados.

COMO TROCAR OS FILTROS

- Remova a cobertura do filtro.
- Há dois tipos de filtros: O filtro do óleo (filtro branco) previne que o óleo do vapor seja liberado, e o filtro de carbono (filtro preto) previne a **liberação** de odores. Para encomendar filtros adicionais por favor ligue para o nosso Linha de **Serviço** ao Consumidor no **número** (800) 597-5978.
- Depois de limpar e trocar os filtros, certifique-se de que o filtro branco esteja colocado na superfície de metal embaixo do filtro ativado por carbono.

GUIA DE COZIMENTO

- Os tempos de fritura indicados nessa tabela são apenas sugestões e devem ser ajustados de **acordo** com a quantidade de alimentos a serem fritos.

ALIMENTO	TEMPERATURA (° C/°F)	TEMPO APROXIMADO DE COZIMENTO (MINUTOS)
<i>Champion</i>	150° C/302° F	3 a 4
Frango à milanesa	170° C/338° F	12 a 15
Frango em fatias	180° C/356° F	3 a 4
Camarão	130° C/266° F	3 a 4
Peixe empanado	150° C/302° F	4 a 6
Filet de Peixe à milanesa	150° C/302° F	4 a 5
Filet de Peixe	180° C/356° F	5 a 7
Batata Frita fina	190° C/374° F	2 a 4
Batata Frita grossa	170° C/338° F	7 a 10

DICAS

- Selecione a temperatura para fritura tendo em **consideração** o tipo e a quantidade de alimento a ser frito.
- Como um guia geral, os alimentos que já foram pré-cozidos de qualquer forma pode necessitar de uma temperatura mais elevada e menos tempo de cozimento que os outros alimento que está0 completamente crus.

LIMPANDO A SUA FRITADEIRA

- Não submersa a fritadeira em água.
- Limpe o lado exterior com um pano macio e úmido ou papel toalha.
- Antes de **limpar** a fritadeira, certifique-se sempre que ela esteja **DESLIGADA/OFF "0"** e desconectada da tomada. Certifique-se que a unidade e o óleo estejam completamente frios. O óleo retém a sua temperatura por um período mais longo. Não tente mover ou carregar a fritadeira enquanto ela estiver quente.
- Esvazie e limpe a **Bandeja** Coletora de **Condensação**.
- O óleo pode ser usado novamente. Entretanto o óleo deve ser filtrado depois de cada vez que tenha sido usado.
- Depois de escorrer o óleo a fritadeira deve primeiro ser limpa com um papel para absorver o óleo. Depois use um pano úmido com um pouco de sabão. Finalmente, use um pano seco. Não submersa a unidade em água em nenhuma circunstância.
- Não use **escovas**, produtos químicos para limpeza ou qualquer material abrasivo para limpar a unidade.
- A cesta pode ser lavada em água morna e sabão.

LIMPANDO A TAMPA

- A tampa pode ser lavada em água morna e **sabão**.
- Certifique-se de tirar os filtro antes de limpar a cesta.
- Não lave a tampa em máquina de lavar **louças**.

GUARDANDO A SUA FRITADEIRA

- Permita que o aparelho esfrie completamente antes de guardá-lo. Armazene a Fritadeira em um local seco. O fio pode ser facilmente guardado enrolando-o ao redor do **espaço** para guardar o fio localizado na parte de baixo da unidade. Mantenha o fio longe do alcance de **crianças**.

SOLUCIONANDO PROBLEMAS

PROBLEMAS	CAUSAS POTENCIAIS	SOLUÇÃO
Liberação de odores indesejáveis.	O filtro de carbono está saturado. O óleo está deteriorado. O óleo não é adequado para frituras.	Troque o filtro (veja a página de <i>instruções</i>). Troque o óleo a cada 10 a 12 frituras. Use um óleo vegetal de boa qualidade, óleo de girassol, óleo de canola ou óleo de milho .
Libera vapor por baixo da borda da tampa.	A tampa não foi fechada devidamente .	Certifique-se que a tampa está completamente fechada..
O alimento não está crocante no lado exterior.	Uma quantidade demasiada de alimento foi colocada ao mesmo tempo.	Frite menores quantidades de alimentos (<i>especialmente alimentos congelados</i>).

RECEITAS

GALINHA FRITA

1 galinha cortada em pedacos
1 copo de farinha de trigo
óleo
1/4 colher de chá de condimentos para galinha
1-1/2 colheres de chá de sal
1/4 colher de mesa de **pimenta**

Tempere a **galinha** com sal e **pimenta**. Em um saco plástico, despeje 1 copo de farinha de trigo, 1-1/2 colheres de chá de sal. Coloque 4 a 5 pedacos de galinha dentro do saco plástico e sacuda até que os pedacos estejam **cobertos** de farinha. **Aqueça** o óleo **na** Fritadeira. Coloque os **pedaços** maiores de galinha **na** Fritadeira seguido dos pedacos menores. Quando a galinha estiver **cozida** e dourada, retire do óleo e deixe **escorres** dentro da cesta para fritar para retirar o **excesso** de óleo.

ANÉIS DE **CEBOLA** FRITOS **À** FRANCESA

Tire a pele e corte a **cebola** em fatias de 1/4 de **polegada**/ 0.6 cm. e separe-os.
2 **cebolas** grandes

Junte:

1 copo de **leite**
1 copo d'água

Deixe as **cebolas** de molho por meia hora. **Escorra**, espalhe-as em um papel absorvente e coloque-as **na** massa para Verduras Fritas (veja a **receita** na página 13). Frite **na** fritadeira, **pré-aqueça** a **uma** temperatura de **350°** a **370°/ 176°C**- 187% até a **cebola** ficar dourada. **Escorra** em papel absorvente.

BATATAS

BATATA DOCE FRITA

Lave e ferva as batatas por 10 minutos:

Batatas Doces Grandes

Corte as batatas em fatias. Frite as batatas doce **na** fritadeira até que **elas** fiquem douradas. Deixe-as **escorrer** em papel absorvente. Salpique o sal, **açúcar mascavo** ou nós moscada moída.

Para flambe, antes de servir coloque as batatas escorridas em urna lata. Salpique 2 colheres de mesa de conhaque, **ou** rum. **Acenda** e levante mexa a panela até que a chama se apague

FRUTOS DO MAR

PEIXE FRITO

Pré-aqueça a fritadeira a urna temperatura de **370°F/187°C**

Limpe e prepare o peixe para cozinhar:

Pedaços pequenos de peixe que não sejam mais **grossos** que 1 polegada.

Molho para mergulhar o peixe:

Massa para Peixe Frito (**receita** encontra-se **na seção** de Massas para Frituras)

Frite por 5 a 8 minutos **ou** até que atinja uma cor dourada. O peixe elevará até a **superfície** quando estiver pronto. Deixe **escorrer** em papel absorvente Sirva bem quente com gotas de **limão** ou molho tártaro.

PEIXE COM BATATA FRITA

Pré-**aqueça** a fritadeira a uma temperatura de 375°F/190°C

Corte em **pedaços** uniformes:

1 -/2 lbs. De **Filet** de Linguado

Cubra com Massa para Peixe Frito (**receita** encontra-se na **seção** de Massas para Frituras)

Corte em fatias uniforme, um **apouco** maior que as batatas fritas:

1-1/2 lbs de batatas

Deixe de molho por meia hora. **Escorra** e seque minuciosamente. Frite em óleo quente até que fique dourado. Retire, **escorra** e deixe esquentando. Frite o peixe até que fique dourado. Arrume as batatas e o peixe em uma travessa e sirva com molho.

VINAGRE QUENTE

BOLINGO FRITO

Os bolinhos fritos devem ser **cozidos** de 3 a 7 minutos dependendo do tamanho

CHURROS (BOLINHO FRITO)

350 gramas (12.25 oz.) de farinha de trigo

2 ovos

3/4 litros (3 copos) d'água

sal

Azeite **ou** óleo de milho

Açúcar

Coloque a água e o sal em uma panela e deixe ferver. Adicione a farinha de uma vez **só** e mexa rapidamente com uma colher de pau. Coloque a massa em uma tigela. Adicione os ovos um de cada vez usando a **sua** Batedeira **Oster®**, até que **bolhas** se formem. **Aqueça** o óleo na Fritadeira. Usando uma máquina para fazer churros coloque a massa e **comece** a formar os churros. Frite os churros até que eles fiquem dourados. Retire da fritadeira e deixe-os sobre uma toalha de papel para **escorrer** o **excesso** de óleo. Salpique com bastante **açúcar**.

MASSA PARA VERDURAS, CARNES E PEIXE FRITOS

Coloque em uma tigela e mexa bem:

1-1/3 copos de farinha de trigo

1 colher de chá de sal

1/4 colher de chá de **pimenta**

1 colher de mesa de manteiga derretida **ou** óleo de cozinhar

2 gemas de ovo batidas

Adicione gradualmente, mexendo constantemente:

3/4 copo de **cerveja** sem gás

Deixe a massa **coberta** descansar dentro da geladeira de 3 a 12 horas.

Antes de usar você pode adicionar :

2 claras em neve

Unindo a massa.

Mistura:

1 copo de farinha de trigo, farinha de rosca **ou** **flocos** de milho moídos

1 colher de chá de sal

1/4 colher de chá de **pimenta** **ou** 1/2 colher de chá de páprica

GARANTIA LIMITADA DE 1 ANO

A Sunbeam Products Inc. concede garantia ao comprador original, sujeita às limitações e exclusões estipuladas abaixo, de que este produto não apresentará fisicamente defeitos mecânicos e elétricos devido ao material ou mão de obra, durante um ano a partir da data de compra. Esta garantia não cobre o gasto normal das peças ou os danos devidos às seguintes causas: uso negligente ou inadequado do produto, uso de voltagem ou corrente inapropriada, uso que contrarie as instruções operacionais, ou desmontagem, reparo ou alteração realizada por pessoa que não pertença ao quadro de profissionais do centro de assistência técnica autorizada.

Nossa responsabilidade! pelo presente se limita ao reparo ou substituição, a critério do fabricante, do produto durante o período de garantia, contanto que o produto, acompanhado do número de modelo e do comprovante de compra com adata original, seja enviado com porte postal pago, diretamente ao seguinte endereço:

Para produtos comprados nos Estados Unidos:

SUNBEAM APPLIANCE SERVICE STATION
117 Central Industrial Row
Purvis, MS 39475

Para produtos comprados no Canadá:

SUNBEAM APPLIANCE SERVICE STATION (KND)
Por chamado de favor 1-800-663-8623 ou email nos
consumeraffairs@consumer.sunbeam.com

Não devolva o produto ao local de compra ou ao fabricante; se o fizer poderá atrasar o seu processo de reivindicação de garantia.

No caso de dúvidas sobre a garantia ou para saber o local do nosso serviço autorizado mais próximo poderá ligar grátis para 1-800-597-5978 ou escrever para: Sunbeam - Consumer Affairs, P.O. Box 948389, Maitland, FL 32794-8389. No caso de dúvidas sobre a garantia ou para saber o local do nosso serviço autorizado mais próximo no Canadá poderá ligar grátis dentro do Canadá para 1-800-667-8623. Para informação sobre garantia fora dos Estados Unidos ou do Canadá queira procurar o telefone e endereço no cartão de serviço de garantia incluído na embalagem do produto.

EXONERAÇÃO DE RESPONSABILIDADE

De acordo com esta garantia, o cliente tem como único recurso jurídico o reparo ou a substituição do produto. A SUNBEAM PRODUCTS INC. NÃO SERÁ RESPONSÁVEL POR QUALQUER DANO INCIDENTAL OU QUE OCORRA COMO CONSEQUÊNCIA DA VIOLAÇÃO DOS TERMOS EXPLÍCITOS OU IMPLÍCITOS DA GARANTIA OESTE PRODUTO OU DE QUALQUER PARTE OESTE. SALVO NO QUE FOR PROIBIDO PELA LEI PERTINENTE, A SUNBEAM PRODUCTS, INC. EXONERA-SE DA RESPONSABILIDADE DE QUAISQUER GARANTIAS IMPLÍCITAS DE PODER DE VENDA OU DE ADEQUAÇÃO PARA UM DETERMINADO FIM OESTE PRODUTO OU DE QUALQUER PARTE OESTE. Alguns estados e províncias não permitem a exclusão ou limitação de danos incidentais ou consequenciais, nem permitem limitações sobre o tempo de duração de uma garantia implícita, portanto as limitações ou exclusões citadas acima poderão não ser pertinentes ao caso do cliente. Esta garantia concede direitos jurídicos específicos ao cliente, entretanto este poderá ter outros direitos que poderão variar de acordo com o estado e a província em questão.

NOTES/NOTAS

NOTES/NOTAS

NOTES/NOTAS

Oster®

©1997 Sunbeam Corporation or its affiliated companies. All rights reserved.
Oster® and **FryRight™** are trademarks of Sunbeam Corporation or its affiliated companies.
Distributed by Sunbeam Products Inc., Delray Beach, Florida 33445.

©1997 Sunbeam Corporation ou ses sociétés apparentées. Tous droits réservés.
Oster® et **FryRight™** sont marques de commerce de Sunbeam Corporation ou de ses sociétés apparentées.
Distribué par Sunbeam Products Inc., Delray Beach, Florida 33445.

©1997 Sunbeam Products Inc. o sus corporaciones afiliadas. Todos los derechos reservados.
Oster® y **FryRight™** son marcas comerciales de Sunbeam Corporation o de sus corporaciones afiliadas.
Distribuido por Sunbeam Products Inc., Delray Beach, Florida 33445.

©1997 Sunbeam Products Inc. ou suas empresas afiliadas. Todos os direitos reservados.
Oster® e **FryRight™** são marcas comerciais da Sunbeam Corporation, ou de suas empresas afiliadas.
Distribuído pela Sunbeam Products Inc., Delray Beach, Florida 33445.