

"Serving Those Who Serve The Very Best"®

- **167,500 BTU input for cooking up to 200 lbs. of frozen french fries per hour**
- **Instant Recovery® Fryer now even more efficient using less energy with our newly patented Wing Turbulators®**
- **Stainless Steel cabinet**
- **Polished Stainless Steel fryer vessel**
- **Cold Zone 27% of fryer vessel**
- **Save on oil costs/cooks at lower temperatures**
- **Indicating lights**
- **Melt cycle standard**

The 24 BB Fryer is ideal for multi-product use. The 24 BB allows you to cook up to 200 lbs. of frozen french fries or 250 lbs. of chicken per hour with an input of 167,500 BTU.

KEATING SAVES OIL COSTS IN THREE WAYS:

BETTER FRY POT DESIGN
LARGER COLD ZONE
INSTANT RECOVERY®

1. You shouldn't have to wait on the fryer. A properly designed fry pot ensures that the fryer has recovered its temperature before the end of the cooking cycle. Keating "INSTANT RECOVERY"® means continuous performance.
2. The Keating frying vessel is 27% Cold Zone, the food particles collected in the cold zone are unheated and therefore do not carbonize and contribute to premature shortening breakdown.
3. Keating's "INSTANT RECOVERY"® feature means frying at lower temperatures (325° - 335°F) extending oil life while enhancing product quality.



Casters Optional

EASY TO CLEAN

Keating uses only 304 stainless steel in its frying vessel design and polishes each vessel. The smoother the surface, the less carbon build-up occurs, making cleaning easier. A full 1 1/4" front drain allows easy draining of oil.

SAFETY CONTROLS ENSURE SAFE AND ACCURATE COOKING

The patented and precise thermostat controls cooking temperatures to ± 3°F. Hi-Limit control protects against the oil and fryer overheating. Each fryer goes through a rigorous 100% test before shipping with every component carefully checked. The actual temperature test chart is included with each fryer.

SPECIAL ORDER OPTIONS

Keating gives you the widest range of options to ensure your fryer is exactly suited to your needs.

DESCRIPTION

The Keating Instant Recovery® 24 BB Fryer consists of a frying vessel 24" sq., having a splash deck and a splash back installed in a cabinet equipped with gas burners and an automatic temperature control mechanism, all arranged and designed for the proper frying of food.

SPECIFICATIONS

Frying Vessel: shall be constructed from 18 gauge stainless steel, shall have a shortening capacity of 130 pounds, shall be equipped with five 18 gauge horizontal heat transfer tubes spaced above the bottom of the vessel so that the bottom is unheated and the food particles collecting in this bottom zone are unheated and therefore do not carbonize. The frying vessel shall be polished to inhibit carbon build-up and facilitate easy clean-up. The heat transfer tubes shall be 3" wide and 5" high. The bottom of the vessel shall slope toward the front where it shall be equipped with a 1 1/4" Teflon core 1/4 turn, drain valve, so arranged that the shortening can be drained into a receiving vessel placed in front of the fryer.

Splashdeck shall slope toward the shortening containing vessel. **The splash deck shall be made of 16 gauge 304 stainless steel.**

Splashback shall be made of 18 gauge 304 stainless steel, shall completely cover the sides of the flue.

Cabinet: shall be made of 18 gauge stainless steel. The cabinet shall be rigid in construction and shall have four 8" adjustable legs. A door made of 22 gauge 304 stainless steel shall cover the front of the cabinet and shall extend from the bottom of the fryer to the panel, and above the panel shall be a canopy. The door shall be the full width of the cabinet. No additional space is required for the door to open a full 90 degrees. A stainless steel flue deflector is provided for installing onto the flue back.

Heat Transfer Tubes to be five, made of stainless steel polished to a #7 mirror finish.

Thermostat shall be close range, hydraulic type and be accurate to ±3°F from 300° to 350°F with stainless steel bulb. Application of this thermostat is patented by Keating.

Hi-Limit Control shall be manually resettable type with stainless steel bulb.

100% Safety Shut Off shall be flame switch type with combination control gas valve.

Melt Cycle to be standard on "BB" fryers, allowing the safe melting of solid shortening. Fryer is to be left in the Melt Cycle mode until oil completely covers heat transfer tubes.

Indicating Lights & Switches Power on switch, power on light, push to light switch, pilot on light, fry off melt switch.

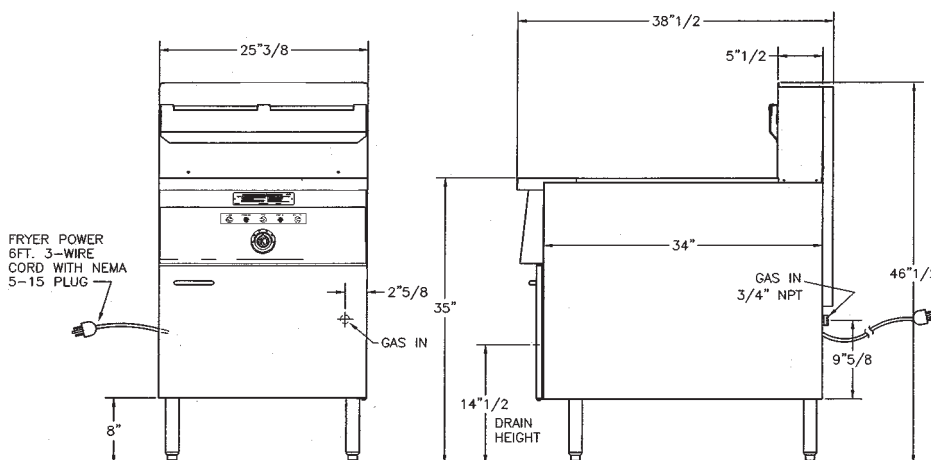
Standard Accessories to include one pair 4 mesh baskets, grid screen over heat transfer tubes, drain clean out rod and sample of Keating Klenzer and Sea Powder.

Electrical Requirements: Supply Voltage 120V 60Hz. Control Voltage 24V 60Hz. 120 VAC 9ft. (1.5 m) grounded cord set provided.

Gas Requirements to install are 3/4" male NPT connection and 4" water column pressures natural and 10" for LP gas at the fryer burner manifold. Supply pressure to fryers must be 7" (natural gas) and 11" (LP) water column.

Special Order Options may include battery, common manifold, rear drain, casters, cover, thermostat seal, portable filter, central filter (CF24SE or above), Safe & Easy® filter, full or triple size baskets, spark ignition, 2" drain valve (not available on SE).

Model No. and Description	Oil Capacity	BTU Input	Height	Depth	Width	Ship Wt.
24 BB Nat Gas	130 lbs.	167,500	46 1/2"	38 1/2"	25 3/8"	340 lbs.
24 BB LP Gas	130 lbs.	165,000	46 1/2"	38 1/2"	25 3/8"	340 lbs.
24 Safe & Easy	-	-	46 1/2"	42 3/8"	25 3/8"	-



KEATING OF CHICAGO, INC.
Toll Free 1-800-KEATING
www.keatingofchicago.com

As continuous product improvement occurs, specifications may be changed without notice.