



# CATALOG OF REPLACEMENT PARTS

## 1HF85CF STAND ALONE FRYER

ML-136819

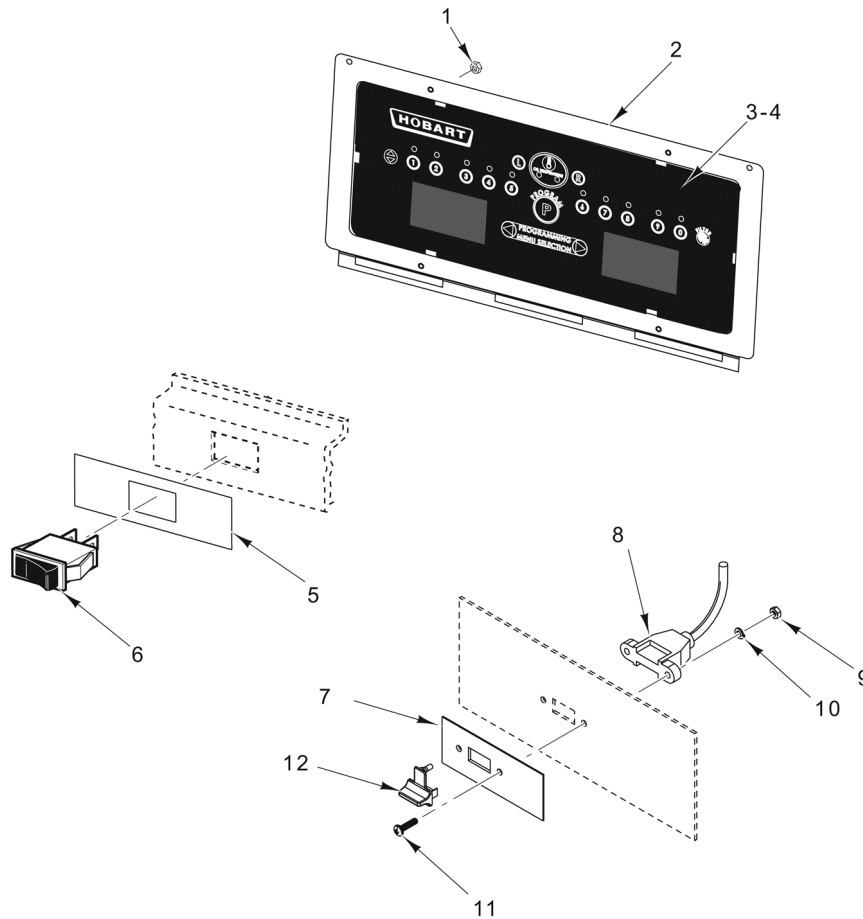
1HF85CF





**Table of Contents**

5	CONTROL PANEL
7	POWER SUPPLY BOX
9	BODY ASSEMBLY
11	HEATING ELEMENT ASSEMBLY
13	TANK AND DRAIN
15	OIL RETURN
17	FILTER ASSEMBLY
19	BASKETLIFT COMPONENTS

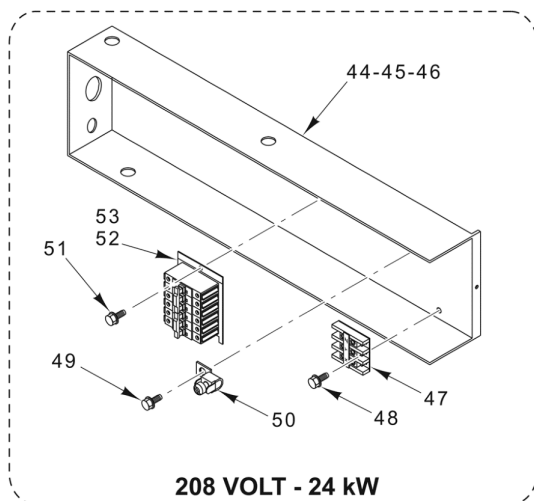
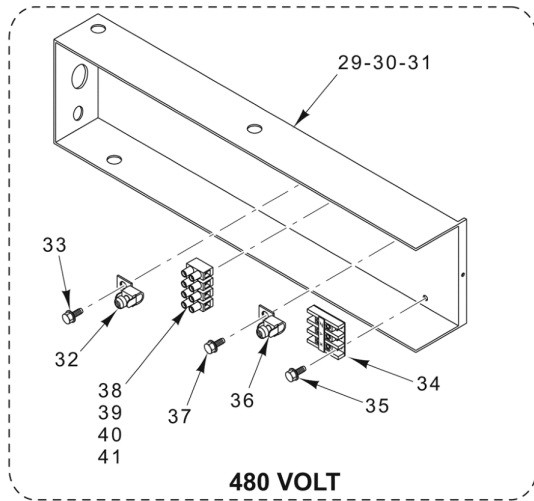
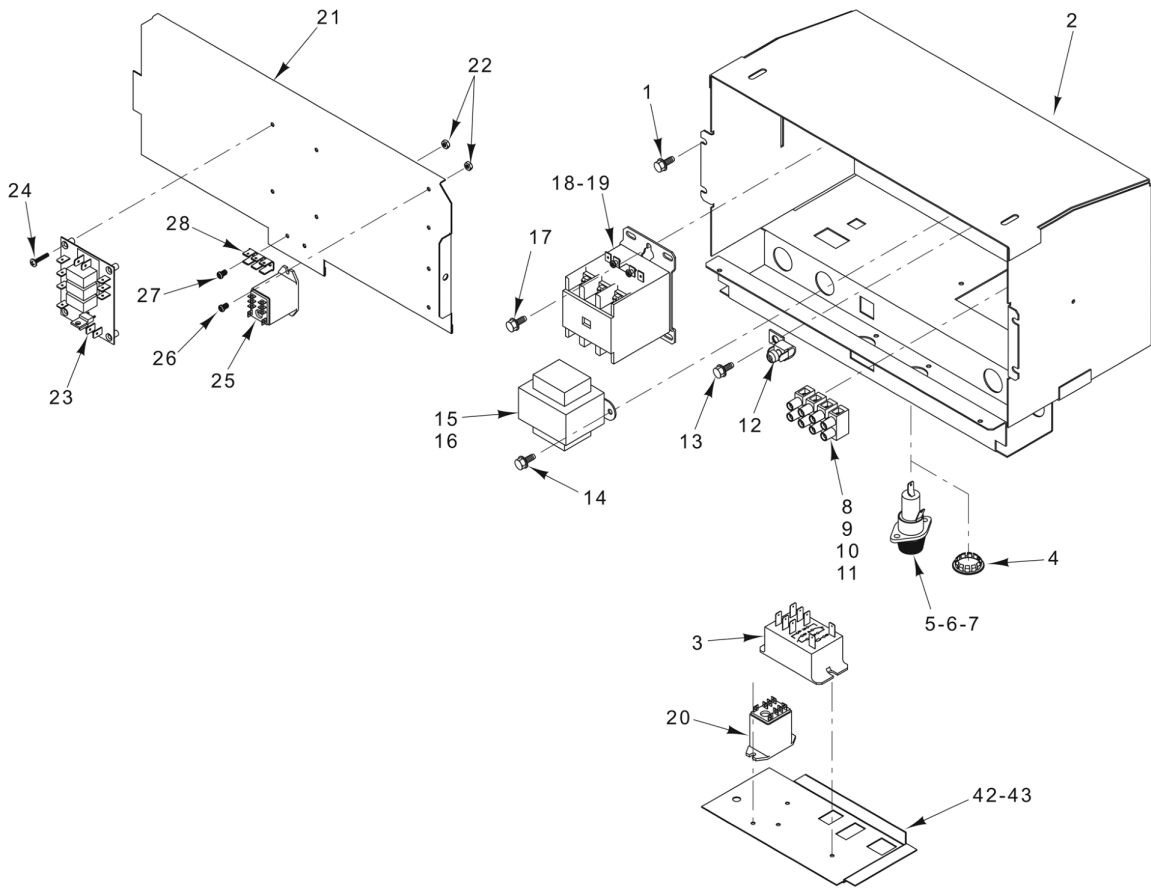


PL-60008

### CONTROL PANEL

**CONTROL PANEL**

<b>ILLUS.</b>	<b>PART NO.</b>	<b>NAME OF PART</b>	<b>AMT.</b>
<b>PL-60008</b>			
1	NS-046-89	Nut Assy. 6-32 Hex.....	4
2	00-426815-000G2	Plate Assy. - Mounting.....	1
3	00-913012-00004	Computer Cooking Assy. (Filter Button) (Incls. Item 4).....	1
4	00-958621-00001	Overlay - Hobart (Filter Button).....	1
5	00-428906-00001	Overlay - Power.....	1
6	00-427755-000G1	Rocker Switch Assy.....	1
7	00-428906-00004	Overlay (USB Port).....	1
8	00-959000-000G1	Cable Assy. (USB) (1 Ft.) (Incls. Items 9 thru 12).....	1
9		Nut 4-40 Hex.....	2
10		Lockwasher #4.....	2
11		Screw 4-40 x 1/2.....	2
12	00-959000-00002	Cap (USB).....	1

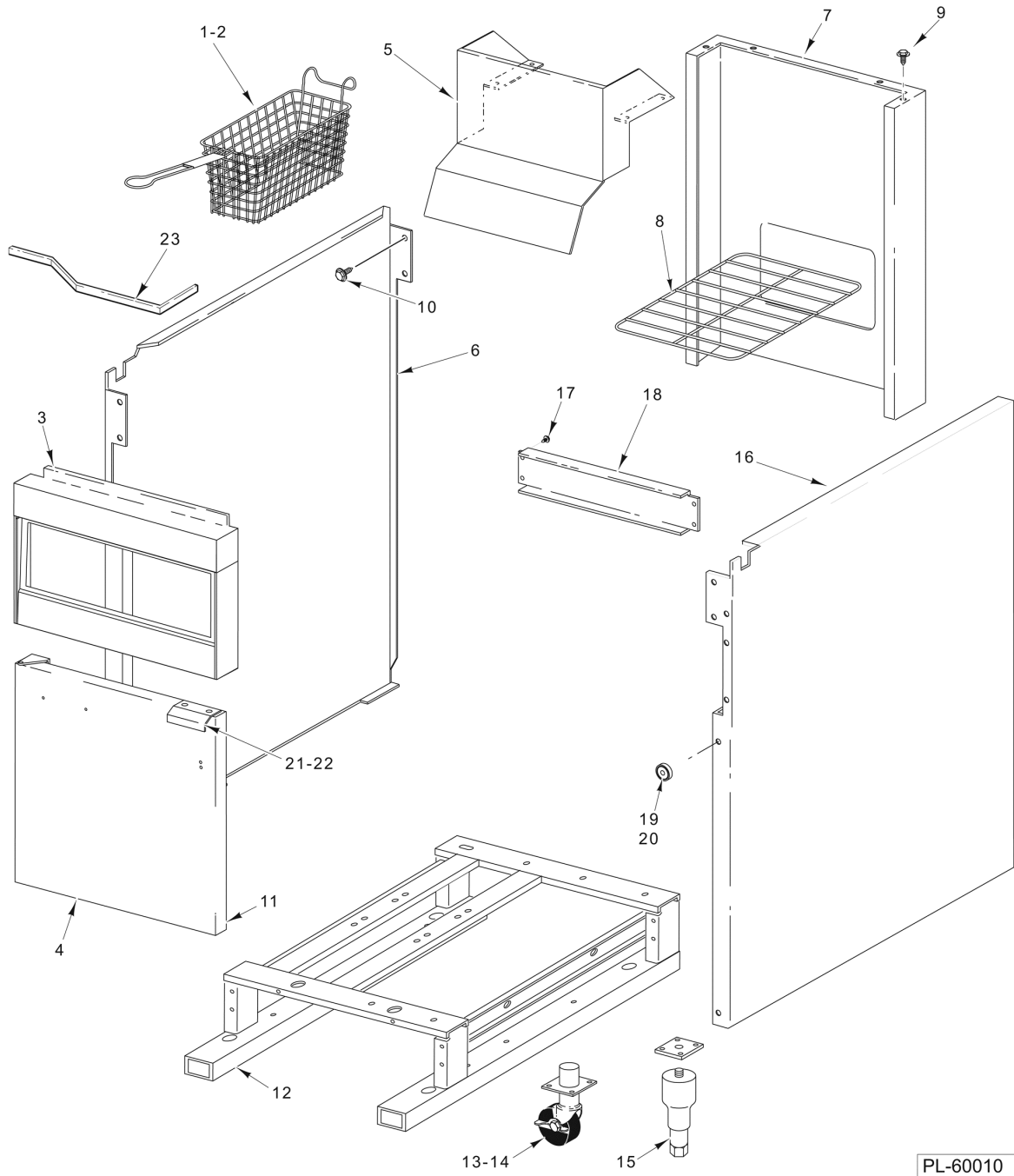


PL-60009

**POWER SUPPLY BOX**

## POWER SUPPLY BOX

ILLUS.	PART NO.	NAME OF PART	AMT.
	PL-60009		
1	SD-036-80	Self-Tapping Screw 8-32 x 3/8 Hex Washer Hd., Type TT.....	4
2	00-497095-00002	Box - Power Supply.....	1
3	00-428864-00001	Relay (Filter).....	1
4	PB-002-26	Plug - Button.....	AR
5	SD-036-80	Self-Tapping Screw 8-32 x 3/8 Hex Washer Hd., Type TT.....	4
6	FE-019-40	Fuse (15 Amp., 300 V.).....	2
7	FE-023-55	Holder - Fuse (15 Amp., 300 V.).....	2
8	00-414208-00002	Barrier - Terminal.....	1
9	NS-009-07	Nut 6-32 Hex.....	2
10	SC-119-90	Mach. Screw 6-32 x 1 Slotted Pan Hd.....	2
11	WL-004-40	Lockwasher #10 Helical.....	2
12	00-417856-00001	Lug - Grounding (With Set Screw).....	1
13	SD-032-07	Self-Tapping Screw 10-24 x 1/2 Hex Washer Hd., Type TT.....	1
14	SD-032-07	Self-Tapping Screw 10-24 x 1/2 Hex Washer Hd., Type TT.....	2
15	00-411500-00012	Transformer (120 VAC, 28 V., 40 VA).....	1
16	00-411500-00013	Transformer (200-240 VAC, 28 V., 20 VA).....	1
17	SD-036-96	Self-Tapping Screw 8-18 x 3/4 Hex Hd., Type AB.....	8
18	00-411497-000C5	Contactactor (3-Pole) (40 Amp., 230 V.).....	4
19	00-411497-000C3	Contactactor (3-Pole) (40 Amp., 120 V.).....	4
20	00-416535-00004	Switch - Relay (24 V.).....	1
21	00-497096-00002	Plate - Temperature Board.....	1
22	NS-009-02	Nut 4-40 Hex.....	4
23	00-427759-00001	Control - Interface.....	1
24	SD-024-40	Self-Tapping Screw 6-32 x 5/8 Phil. Pan Hd., Type TT.....	4
25	00-416535-00004	Switch - Relay (24 V.).....	1
26	SC-060-23	Mach. Screw 4-40 x 1/4 Slotted Rd. Hd.....	2
27	SC-060-23	Mach. Screw 4-40 x 1/4 Slotted Rd. Hd.....	2
28	00-419317	Terminal - Stationary.....	1
29	00-497266-000G4	Box - Power Supply (480 V.) (Incls. Items 30 thru 41).....	1
30	00-428270-000G3	Box - Breaker.....	1
31	00-428271-00005	Lid - Breaker Box Small.....	1
32	00-417856-00001	Lug - Grounding (With Set Screw).....	1
33	SD-036-96	Self-Tapping Screw 8-18 x 3/4 Hex Hd., Type AB.....	1
34	00-410472-00008	Block - Terminal (3-Pole).....	1
35	SD-036-96	Self-Tapping Screw 8-18 x 3/4 Hex Hd., Type AB.....	1
36	00-417856-00001	Lug - Grounding (With Set Screw).....	1
37	SD-036-96	Self-Tapping Screw 8-18 x 3/4 Hex Hd., Type AB.....	1
38	00-414208-00002	Barrier - Terminal.....	1
39	NS-009-07	Nut 6-32 Hex.....	2
40	SC-119-90	Mach. Screw 6-32 x 1 Slotted Pan Hd.....	2
41	WL-004-40	Lockwasher #10 Helical.....	2
42	00-499219-000G1	Plate - Control Mounting (Incls. Items 3, 20, & 43).....	1
43	00-499219-00001	Plate - Control Mount.....	1
44	00-497266-000G2	Box - Power Supply (208 V.) (Incls. Items 45 thru 53).....	1
45	00-428270-000G2	Box - Breaker.....	1
46	00-428271-00004	Lid Breaker Box With Breakers.....	1
47	00-410472-00008	Block - Terminal (3-Pole).....	1
48	SD-036-96	Self-Tapping Screw 8-18 x 3/4 Hex Hd., Type AB.....	2
49	SD-036-96	Self-Tapping Screw 8-18 x 3/4 Hex Hd., Type AB.....	1
50	00-417856-00001	Lug - Grounding (With Set Screw).....	1
51	SD-036-96	Self-Tapping Screw 8-18 x 3/4 Hex Hd., Type AB.....	2
52	00-497265-00001	Breaker (3-Pole) (208 V.).....	2
53	00-497361-00002	Stand - Breaker.....	1
	00-497096-00003	Control Panel Extension.....	1

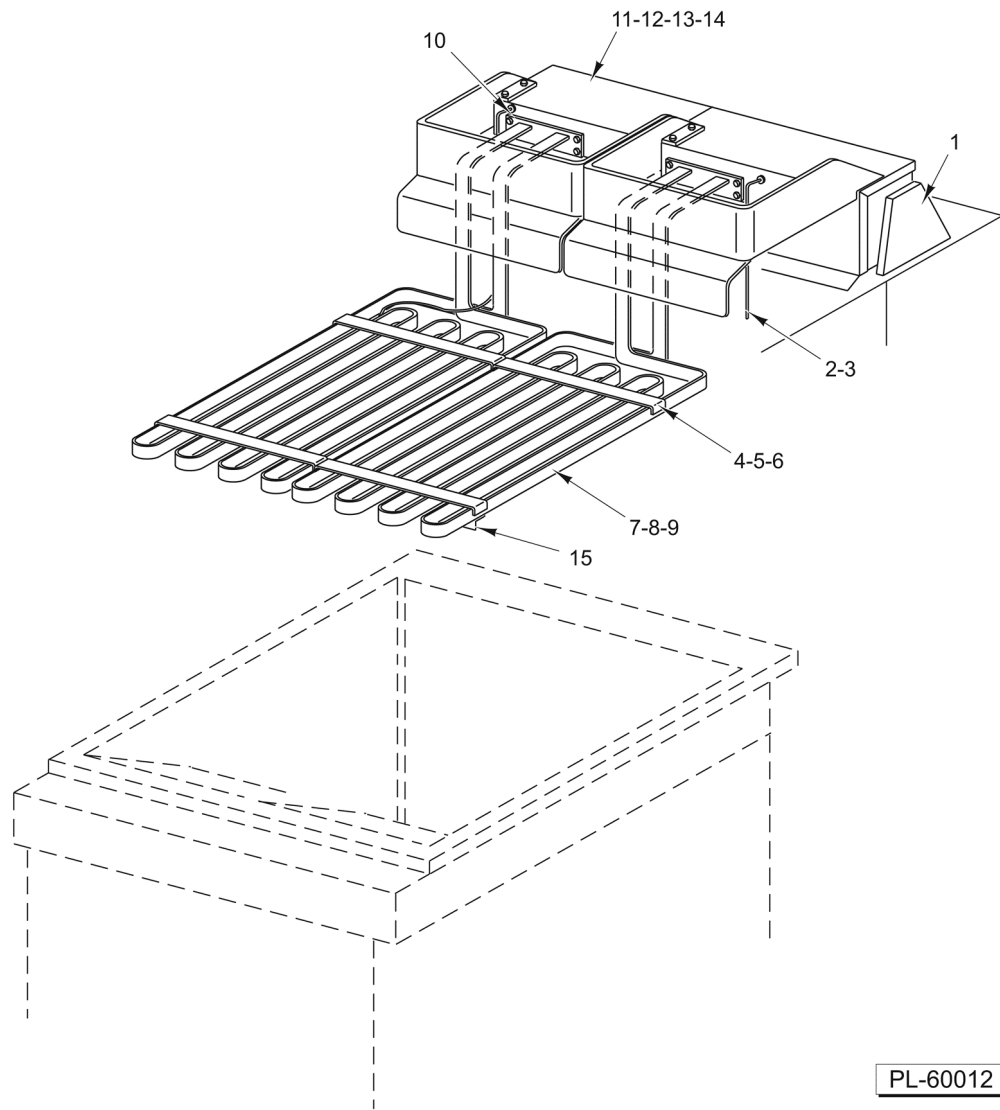


**BODY ASSEMBLY**



**BODY ASSEMBLY**

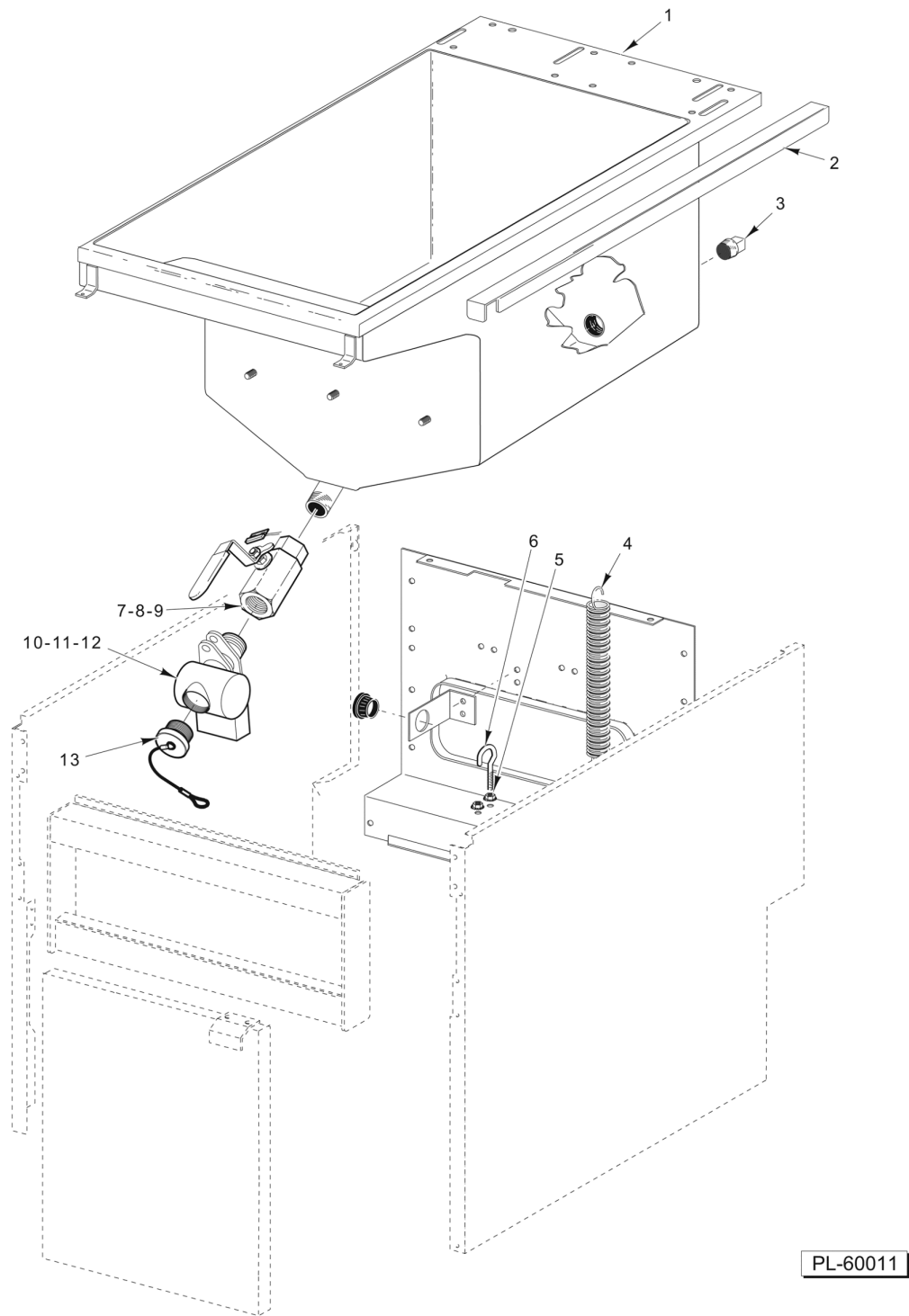
ILLUS.	PART NO.	NAME OF PART	AMT.
PL-60010			
1	00-499223-00004	Basket - Twin.....	AR
2	00-499223-00011	Basket - Single.....	AR
3	00-426806-000G4	Frame - Front Assy.....	1
4	00-499487-000G7	Door Assy. (LH) (With Hinge) (SST).....	1
5	00-421912-000G1	Hanger - Single Basket.....	1
6	00-419777-00003	Body - LH Side (SST).....	1
7	00-422020-000G4	Flue Wrap (SST).....	1
8	00-427883-00004	Screen - Basket Support.....	1
9	SD-032-07	Self-Tapping Screw 10-24 x 1/2 Hex Washer Hd., Type TT.....	2
10	SD-032-07	Self-Tapping Screw 10-24 x 1/2 Hex Washer Hd., Type TT.....	8
11	00-420769-00001	Bumper - Rubber.....	1
12	00-956906-000G4	Body - Bottom Frame.....	1
13	00-418907-00001	Caster - Swivel Assy. (Adjustable).....	2
14	00-418907-00003	Caster.....	2
15	00-413112-00007	Leg (6-1/4 In.) (SST).....	4
16	00-419777-00004	Body - RH Side (SST).....	1
17	SD-032-07	Self-Tapping Screw 10-24 x 1/2 Hex Washer Hd., Type TT.....	10
18	00-418320-00001	Bracket - Rear Support.....	1
19	RS-032-96	Rivet - Pop.....	1
20	00-497296-000G1	Magnet Assy.....	1
21	00-419653	Handle.....	1
22	RS-032-96	Rivet - Pop.....	2
23	00-409300-00005	Rod - Clean-Out.....	1
	00-421756-00001	Brush - Fryer Cleaning.....	1



**HEATING ELEMENT ASSEMBLY**

## HEATING ELEMENT ASSEMBLY

ILLUS.	PART NO.	NAME OF PART	AMT.
PL-60012			
1	00-422415-000G1	Wire Chase Assy.....	1
2	00-422737-00001	Probe - Thermistor.....	1
3	00-419592-00001	Clip - Thermistor Probe.....	AR
4	00-416782-00001	Bracket - Hi-Limit.....	AR
5	00-422380-00001	Clamp - Rear Lower Element.....	1
6	00-422381-000G1	Clamp - Top Element Assy.....	4
7	00-421892-000G1	Element Assy. (208 V., 12000 kW).....	2
8	00-421892-000G4	Element Assy. (480 V., 12000 kW).....	2
9	00-421892-000G3	Element Assy. (240 V., 12000 kW).....	2
10	00-414305-00001	Gasket - Wire Chase.....	2
11	00-421829-000G1	Element Head Assy.....	1
12	00-426801-00001	Switch - Wired.....	1
13	00-414146-00002	Thermostat Hi-Limit.....	1
14	00-426801-00002	Magnet - Switch Element Head.....	1
15	00-422414-00001	Clamp - Front Lower Element.....	1

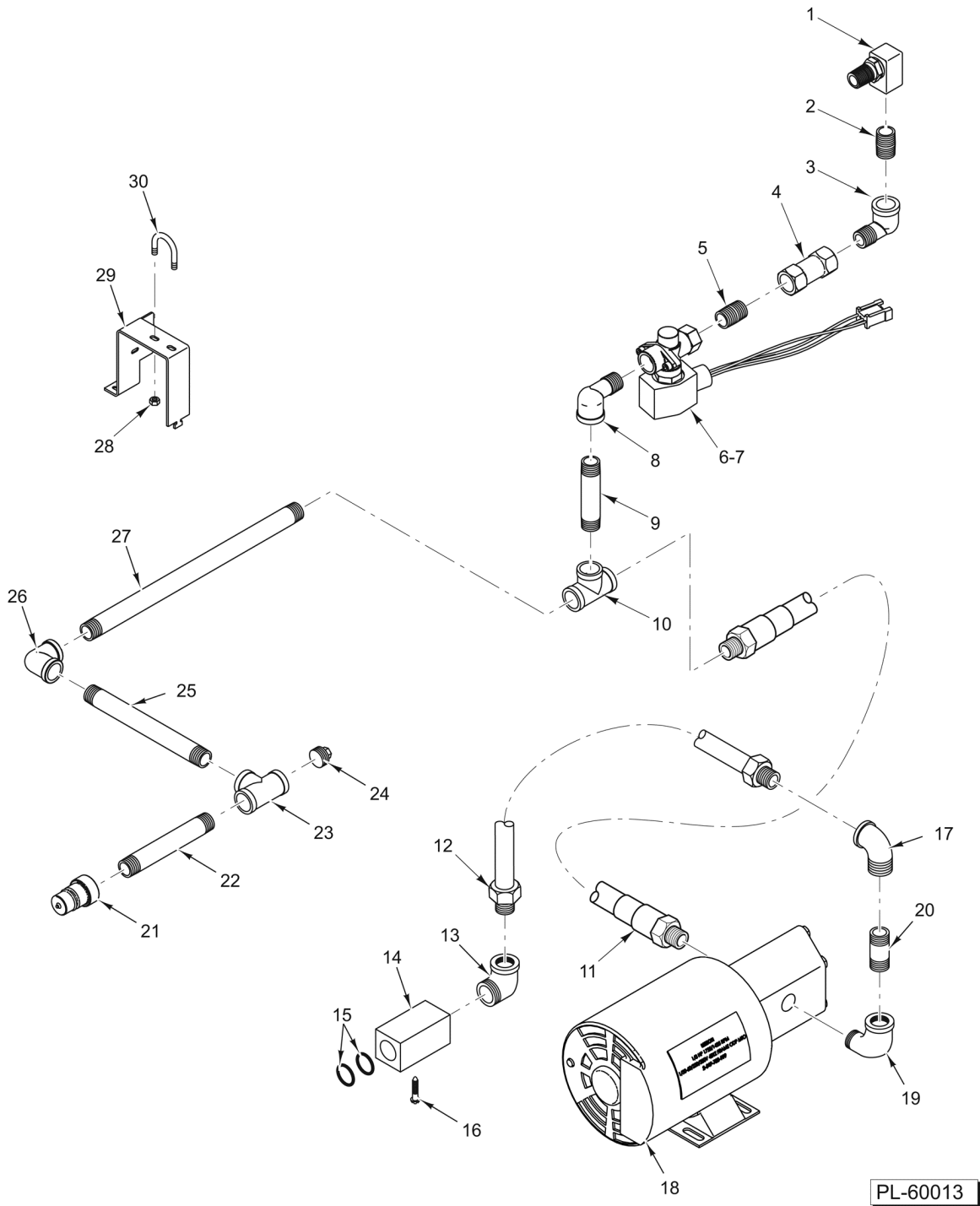


PL-60011

### TANK AND DRAIN

## TANK AND DRAIN

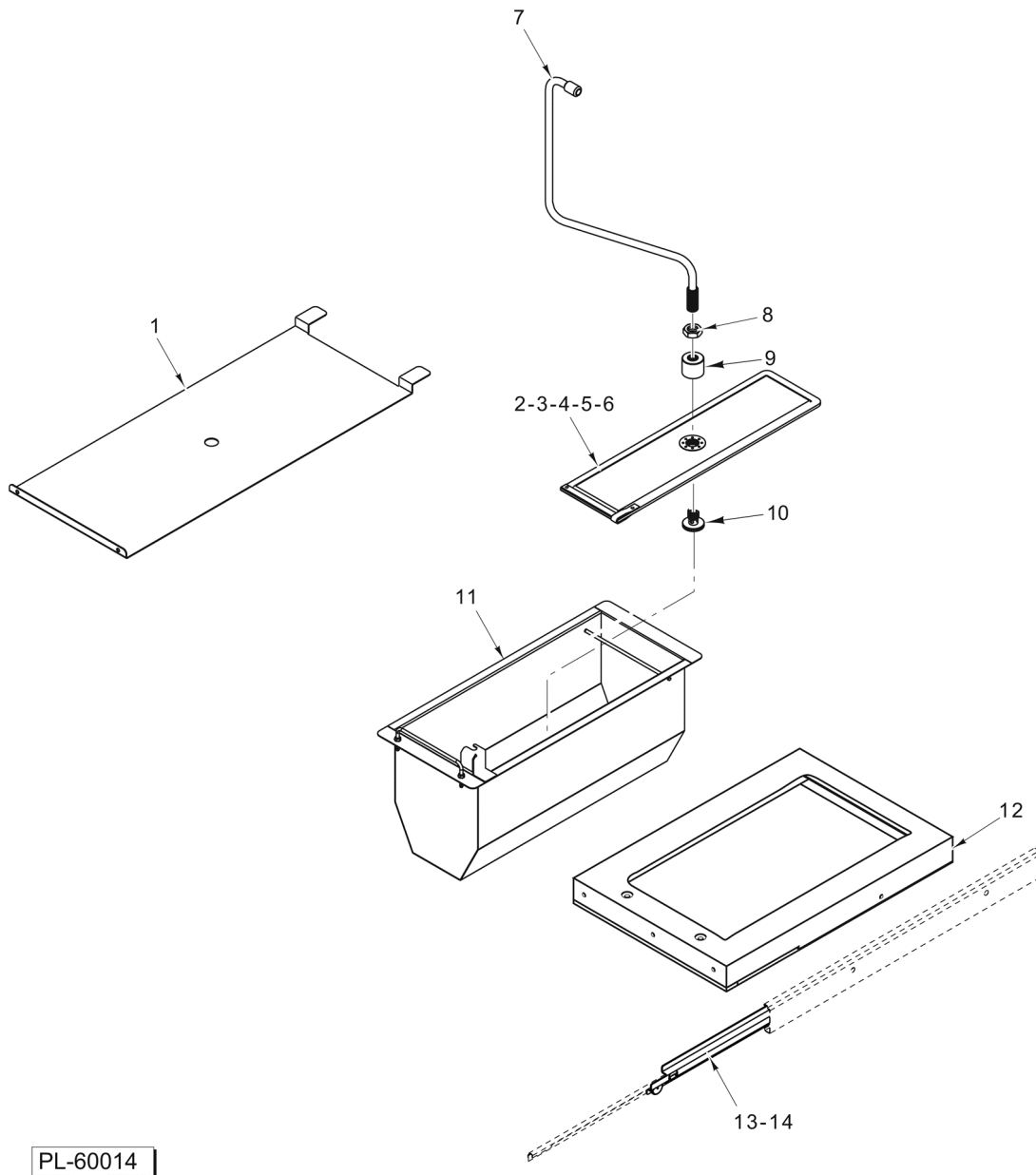
ILLUS.	PART NO.	NAME OF PART	AMT.
PL-60011			
1	00-421842-000G3	Tank Assy.....	1
2	00-410863-00007	Channel - Grease.....	1
3	FP-028-14	Pipe - Plug 1/2 Sq. Hd.....	AR
4	00-406363-00001	Spring.....	AR
5	NS-047-69	Lock Nut 6-32 Hex.....	AR
6	00-402570-00003	Eye Bolt.....	AR
7	00-426803-000G8	Valve Assy. (Incls. Items 8 & 9).....	1
8	00-426805-000G1	Switch Assy.....	1
9	00-426801-00002	Magnet - Switch Element Head.....	1
10	00-956829-000G2	Pipe - Drain.....	1
11	00-420726-00003	Flange - Pipe (1-1/4).....	1
12	00-420553-00002	Gasket - Silicone.....	1
13	00-497571-000G1	Plug - Drain.....	1
	00-422377-000G1	Brace - Spring Retainer.....	1
	00-497572-000G2	Pipe - Boil Out Bypass.....	1
	00-958043	Guide - Suction Block.....	1



### OIL RETURN

## OIL RETURN

ILLUS.	PART NO.	NAME OF PART	AMT.
PL-60013			
1	00-419251-00001	Fitting - 90 Deg. Swivel.....	1
2	FP-035-95	Pipe 1/2 x 2 TBE.....	1
3	FP-013-17	Elbow - Street 1/2 x 90 Deg.....	1
4	00-418786-00001	Valve - Check.....	1
5	FP-035-91	Pipe 1/2 x 1-1/8 TBE.....	1
6	00-428691-00002	Valve - Solenoid (120 V.).....	1
7	00-428691-00003	Valve - Solenoid (208 V.).....	1
8	FP-013-17	Elbow - Street 1/2 x 90 Deg.....	1
9	FP-059-18	Pipe 1/2 x 3-1/2 TBE.....	1
10	FP-019-25	Tee 1/2 x 1/2 x 1/2.....	1
11	00-426602-00001	Tube - Flex (12 In.).....	1
12	00-426602-00004	Tube - Flex (19 In.).....	1
13	FP-013-17	Elbow - Street 1/2 x 90 Deg.....	1
14	00-426567-00003	Receptacle - Oil Suction.....	1
15	00-426567-00002	O-Ring (Viton).....	2
16	SC-114-01	Mach. Screw 10-32 x 3/8 Hex Washer Hd.....	2
17	FP-077-68	Elbow 1/2 x 90 Deg.....	1
18	00-417792-00008	Pump Motor Assy. (115 V., 60 Hz.) (8 G.P.M.).....	1
19	FP-077-68	Elbow 1/2 x 90 Deg.....	1
20	FP-035-95	Pipe 1/2 x 2 TBE.....	1
21	00-418781-00001	Quick Disconnect.....	1
22	FP-059-12	Pipe 1/2 x 4 TBE.....	1
23	FP-019-25	Tee 1/2 x 1/2 x 1/2.....	1
24	FP-089-97	Plug - Pipe 1/2 Sq. Hd.....	1
25	FP-067-06	Pipe 1/2 x 6-3/4 TBE.....	1
26	FP-077-68	Elbow 1/2 x 90 Deg.....	1
27	FP-090-81	Pipe 1/2 x 13-1/2 TBE.....	1
28	NS-046-52	Nut Assy. 1/4-20 Hex.....	2
29	00-956905-00001	Bracket - Oil Return.....	1
30	00-521820	U-Bolt.....	1



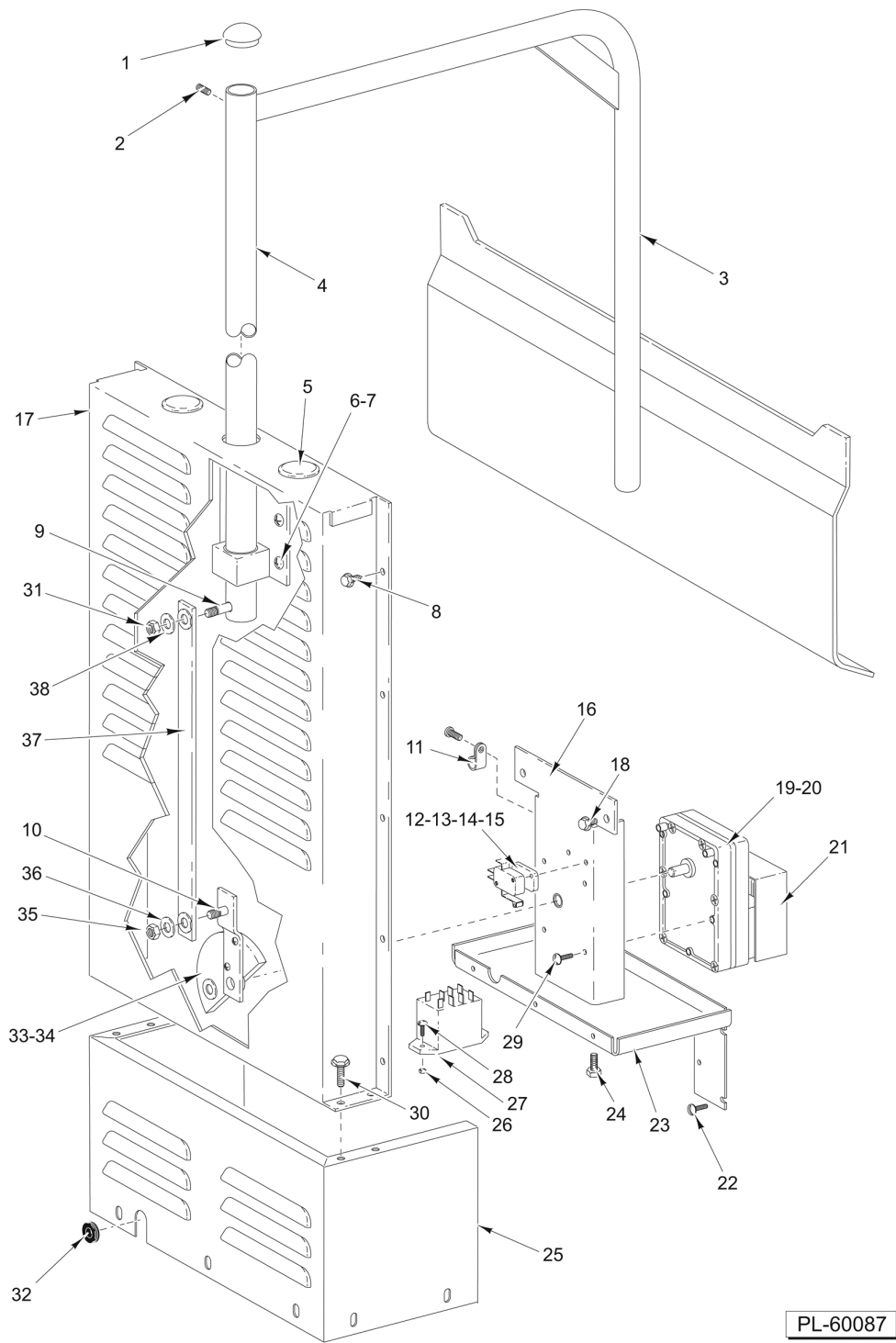
PL-60014

**FILTER ASSEMBLY**



### FILTER ASSEMBLY

ILLUS.	PART NO.	NAME OF PART	AMT.
1	00-956904-00002	Splash Guard.....	1
2	00-499087-00004	Screen - Fine Mesh Filter.....	1
3	00-499085-00006	Insert - Filter Screen.....	1
4	00-499085-00007	Insert - Envelope.....	1
5	00-499086-000G3	Filter - Envelope (6 Pk Hobart).....	1
6	00-499089-00003	Clip - Filter.....	1
7	00-499081-000G8	Tube - Suction.....	1
8	NS-017-49	Jam Nut 3/4-16 Hex.....	1
9	00-499083-00002	Coupling - Suction.....	1
10	00-499084-00002	Port - Suction.....	1
11	00-958000-000G8	Pan Assy. - Filter.....	1
12	00-956907-000G4	Top - Counter Assy.....	1
13	00-913142-00002	Guide Roller Assy. (RH) (27-1/2 In.).....	1
14	00-913142-00001	Guide Roller Assy. (LH) (27-1/2 In.).....	1
	00-413927-00001	Grommet - Rubber.....	AR



**BASKETLIFT COMPONENTS**

## BASKETLIFT COMPONENTS

ILLUS. PL-60087	PART NO.	NAME OF PART	AMT.
1	PB-004-04	Plug Button (1-1/4).....	1
2	SC-088-40	Set Screw 5/16-24 x 1/4 Hex Hdls., Cup Pt.....	2
3	00-956914-000G6	Lift Assy.....	1
4	00-418503-00002	Tube.....	1
5	PB-004-04	Plug Button (1-1/4).....	2
6	SD-037-80	Self-Tapping Screw 10-24 x 1/2 Hex Washer Hd., Type TT.....	6
7	00-422247-000G1	Bearing Support Assy.....	1
8	SD-036-03	Self-Tapping Screw 8-18 x 3/8 Hex Washer Hd., Type AB.....	10
9	SC-101-06	Shoulder Screw 3/8 Dia. x 1-1/4 Lg. 5/16-18 Hex Socket Hd.....	1
10	SC-086-06	Shoulder Screw 3/8 Dia. x 1/4 Lg. 5/16-18 Hex Socket Hd.....	1
11	00-078752-00012	Clamp - Cable.....	1
12	00-418159-00001	Block - Cam Switch.....	1
13	00-411496-000F3	Microswitch.....	1
14	SC-112-90	Mach. Screw 4-40 x 1 Slotted Pan Hd.....	2
15	NS-009-12	Nut 8-32 Hex.....	2
16	00-418123-000G1	Plate - Motor.....	1
17	00-422018-00001	Wrap - Top.....	1
18	SD-037-80	Self-Tapping Screw 10-24 x 1/2 Hex Washer Hd., Type TT.....	6
19	00-418156-00001	Gear - Motor (115 V., 60 Hz.).....	1
20	00-418156-00002	Gear - Motor (230 V., 50/60 Hz.).....	1
21	00-418517-00001	Shroud - Motor.....	1
22	SD-032-07	Self-Tapping Screw 10-24 x 1/2 Hex Washer Hd., Type TT.....	4
23	00-418513-00001	Base - Motor Mounting.....	1
24	SC-037-80	Mach. Screw 10-24 x 1/2 Hex Hd.....	2
25	00-418510-00001	Wrap - Bottom.....	1
26	NS-009-07	Nut 6-32 Hex.....	2
27	00-416535-00004	Relay S.P.D.T. (24 V. Coil).....	1
28	SC-109-10	Mach. Screw 6-32 x 3/8 Slotted Pan Hd. (SST).....	2
29	SC-018-47	Mach. Screw 10-32 x 3/4 Slotted Pan Hd.....	4
30	SD-036-03	Self-Tapping Screw 8-18 x 3/8 Hex Washer Hd., Type AB.....	14
31	NS-047-73	Lock Nut 5/16-18 Hex.....	1
32	00-418482-00001	Grommet.....	1
33	00-418475-000G1	Crank - Arm Assy.....	1
34	SC-055-02	Set Screw 1/4-20 x 1/4 Hdls., Cup Pt. (SST).....	2
35	NS-047-73	Lock Nut 5/16-18 Hex.....	1
36	WS-004-33	Washer.....	1
37	00-418477-000G2	Coupler Assy.....	1
38	WS-004-33	Washer.....	1

