

SECTION 2. INSTALLATION

2-1. INTRODUCTION

This section provides the installation instructions for the Henny Penny Open Fryer.

NOTICE

Installation of the unit should be performed only by a qualified service technician.



Do not puncture the unit with any objects such as drills or screws as component damage or electrical shock could result.

2-2. UNPACKING

The Henny Penny Open Fryer has been tested, inspected, and expertly packed to ensure arrival at its destination in the best possible condition. The unit is banded to a wooden skid and then packed inside a heavy cardboard carton with sufficient padding to withstand normal shipping treatment.

NOTICE

Any shipping damage should be noted in the presence of the delivery agent and signed prior to his or her departure.

1. Carefully cut bands from cardboard carton.
2. Lift carton from the unit.
3. Cut and remove the metal bands holding the fryer to the pallet.
4. Remove the fryer from the pallet.



Take care when moving the fryer to prevent personal injury. The fryer can weigh between 305 lbs. (138 kg) and 616 lbs. (279 kg).

2-3. SELECTING THE LOCATION

The proper location of the open fryer is very important for the duration, speed, and convenience. The location of the open fryer should allow clearances for servicing and proper operation. Choose a location which will provide easy loading and unloading without interfering with the final assembly of food orders. Operators have found that frying from raw to finish, and holding the product in warmers provides fast continuous service. Keep in mind, the best efficiency will be obtained by a straight line operation, i.e., raw in one side and finished out the other side. Order assembly can be moved away with only a slight loss of efficiency.



To prevent severe burns from splashing hot shortening, position and install fryer to prevent tipping or movement. Restraining ties may be used for stabilization.



To avoid fire, install the open fryer with minimum clearance from all combustible and noncombustible materials, 4 inches (10.16 cm) from the side and 4 inches (10.16 cm) from the back. If installed properly, the open fryer is designed for operation on combustible floors and adjacent to combustible walls.

Do not spray aerosols in the vicinity of this appliance while it is in operation.

2-4. LEVELING THE OPEN FRYER

For proper operation, the open fryer should be level from side to side and front to back. Using a level placed on the flat areas around the frypot collar, on the middle well, adjust the casters until the unit is level.

2-5. VENTILATION OF OPEN FRYER

The open fryer should be located with provision for venting into an adequate exhaust hood or ventilation system. This is essential to permit efficient removal of the steam exhaust and frying odors. Special precaution must be taken in designing an exhaust canopy to avoid interference with the operation of the open fryer. We recommend you consult a local ventilation or heating company to help in designing an adequate system.

**2-5. VENTILATION OF OPEN
FRYER
(Continued)**



Ventilation must conform to local, state, and national codes. Consult your local fire department or building authorities.



When installing the gas open fryer, do not attach an extension to the gas flue exhaust stack. This may impair proper operation of the burner, causing malfunctions and possible negative back draft.

2-6. GAS SUPPLY

The gas open fryer is factory available for either natural or propane gas. Check the data plate inside the front door of the cabinet to determine the proper gas supply requirements. The minimum supply for natural gas is 7 inches water column (1.7 kPa), and 10 inches water column (2.49 kPa) for propane.



Do not attempt to use any gas other than that specified on the data plate. Incorrect gas supply could cause a fire or explosion resulting in severe injuries and/or property damage.

Please refer below for the recommended hookup of the fryer to main gas line supply.



To avoid possible serious personal injury:

- **Installation must conform with local, state, and national codes, the American National Standard Z223.1-(the latest edition) National Fuel Gas Code, and the local municipal building codes. In Canada, installation must be in accordance with Standard CAN/CSA B 149.1 & Installation Codes - Gas Burning Appliances and local codes. In Australia, in accordance with Australian Gas Authority rules AG601-2000, section AS5601.**

2-6. GAS SUPPLY
(Continued)

- **The fryer and its manual shutoff valve must be disconnected from the gas supply piping system during any pressure testing of that system at test pressures in excess of ½ PSIG (3.45 kPa) (34.5 mbar).**
- **The fryer must be isolated from the gas supply piping system by closing its individual manual shutoff valve during any pressure testing of the gas supply piping system at test pressures equal to or less than ½ PSIG (3.45 kPa) (34.5 mbar).**
- **A standard one inch (2.54 cm), black steel pipe and malleable fittings should be used for gas service connections for 3 well open fryers, ¾ inch (1.91 cm) for 2 wells, and ½ inch (1.27 cm) for single wells.**
- **Do not use cast iron fittings.**
- **Although one inch (2.54 cm) size pipe is recommended for 3 wells, ¾ inch (1.91 cm) for 2 wells, and ½ inch (1.27 cm) for single wells, piping should be of adequate size and installed to provide a supply of gas sufficient to meet the maximum demand without undue loss of pressure between the meter and the open fryer. The pressure loss in the piping system should not exceed 0.3 in. water column (0.747 mbar).**

Provisions should be made for moving the open fryer for cleaning and servicing. This may be accomplished by:

1. Installing a manual gas shut off valve and a disconnect union, or
2. Installing a heavy-duty design A.G.A. certified connector. In order to be able to service this appliance, which is provided with casters, a connector complying with ANSI Z21.69 or CAN 1-6.10m88 and a quick-disconnect device, complying with ANSI Z21.41 or CAN 1-6.9m70, must be installed. It must also be installed with restraining means to guard against transmission of strain to the connector as specified in the appliance manufacturer's instruction.
3. See the illustration on the following page for the proper connection of flexible gas line and cable restraint.

NOTICE

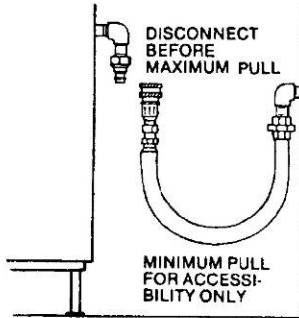
The cable restraint limits the distance the open fryer can be pulled from the wall. For cleaning and servicing the unit, the cable must be unsnapped from the open fryer and the flexible gas line disconnected. This will allow better access to all sides of the open fryer. The gas line and cable restraint must be reconnected once the cleaning or servicing is complete.

2-6. GAS SUPPLY
(Continued)

GAS PIPING

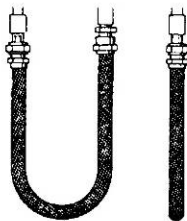
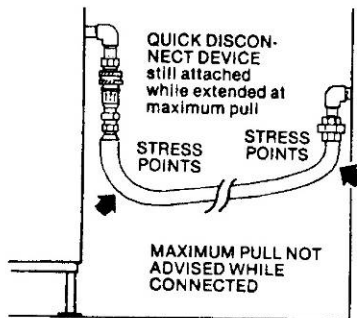
RIGHT

MINIMUM PULL of equipment away from wall permissible for accessibility to Quick Disconnect Device.



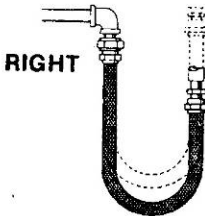
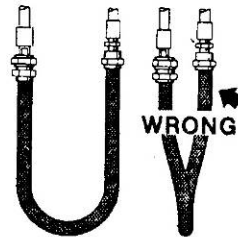
WRONG

AVOID SHARP BENDS AND KINKS when pulling equipment away from wall. (Maximum pull will kink ends, even if installed properly, and reduce Connector life.)



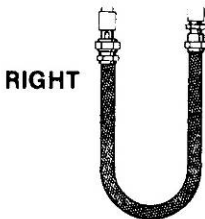
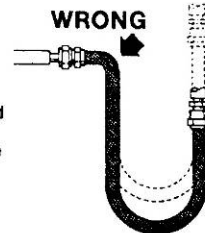
RIGHT

Couplings and hose should be installed in the same plane as shown at left. **DO NOT OFFSET COUPLINGS**—this causes torsional twisting and undue strain causing premature failure.



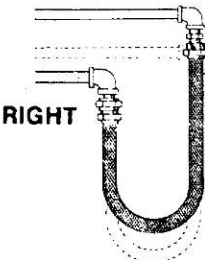
RIGHT

This is the correct way to install metal hose for vertical traverse. Note the single, natural loop. Allowing a sharp bend, as shown at right, strains and twists the metal hose to a point of early failure at the coupling.



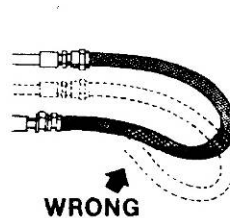
RIGHT

Maintain the minimum or larger bending diameter between the couplings for longest life. Closing in the diameter at the couplings, as shown at right, creates double bends causing work fatigue failure of the fittings.



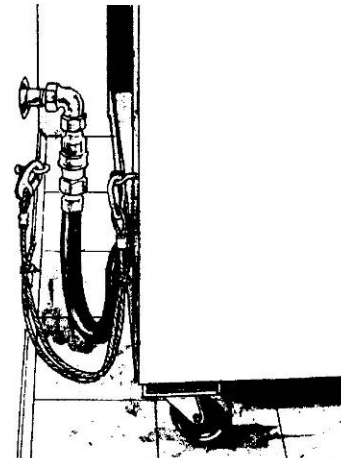
RIGHT

In all installations where "self-draining" is not necessary, connect metal hose in a vertical loop. **DO NOT CONNECT METAL HOSE HORIZONTALLY**... unless "self-draining" is necessary, then use support on lower plane as shown at left.



CABLE RESTRAINT

Please refer to the illustration below when installing cable restraint on all moveable gas fryers.



I-bolt is to be secured to the building using acceptable building construction practices.

CAUTION

DRY WALL CONSTRUCTION

Secure I-bolt to a building stud. Do not attach to dry wall only. Also, locate the I-bolt at the same height as the gas service. Preferred installation is approximately six inches to either side of service. Cable restraint must be at least six inches shorter than flexible gas line.

CAUTION

Utilize elbows when necessary to avoid sharp kinks or excessive bending. For ease of movement, install with a "lazy" loop. Gas appliance must be disconnected prior to maximum movement. (Minimum movement is permissible for hose disconnection).

2-7. GAS LEAK TEST

NOTICE

Prior to turning the gas supply on, be sure the gas valve knob on the gas control valve is in the OFF position.

Upon initial installation, and after moving the unit, the piping and fittings should be checked for gas leaks. A simple checking method is to turn on the gas and brush all connections with a soap solution. If bubbles occur, it indicates escaping gas. In this event, the piping connection must be redone.



To avoid fire or explosion, never use a lighted match or open flame to test for gas leaks. Ignited gas could result in severe personal injury and/or property damage.

2-8. GAS PRESSURE REGULATOR SETTING

The gas pressure regulator on the gas control valve is factory set as follows:

- Natural: 3.5 inches water column (0.87 mbar).
- Propane 10.0 inches water column (2.49 mbar).

NOTICE

The gas pressure regulator has been set by Henny Penny and is not to be adjusted by the user.

2-9. ELECTRICAL REQUIREMENTS OFG-320 SERIES

- 120 V, 50/60 Hz., 1 PH, 12 A
- 230 V, 50 Hz., 1 PH, 6 A

The 120 V gas open fryer requires a 3 wire grounded (earthed) service and is supplied with a grounded cord and plug. Any 230 volt plug used on the 230 volt unit must conform to all local, state, and national codes.



To avoid electrical shock, this appliance must be equipped with an external circuit breaker which incorporates a 3mm disconnection in all ungrounded (unearthed) conductors. The main power switch on this appliance does not disconnect all line conductors.

2-9. ELECTRICAL REQUIREMENTS
OFG-320 SERIES (Continued)

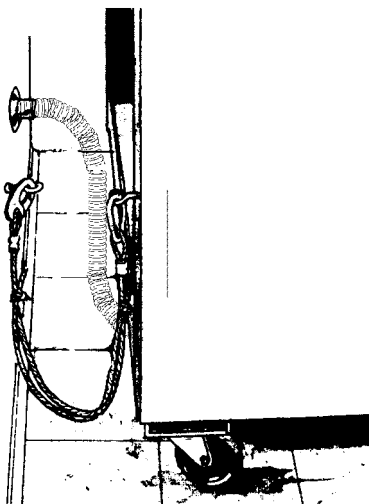


To avoid electrical shock, do not disconnect the ground (earth) plug. This fryer must be adequately and safely grounded (earthed). Refer to local electrical codes for correct grounding (earthing) procedures or in absence of local codes, with The National Electrical Code, ANSI/NFPA No. 70-(the current edition). In Canada, all electrical connections are to be made in accordance with CSA C22.1, Canadian Electrical Code Part 1, and/or local codes.

2-10. ELECTRICAL REQUIREMENTS
OFE-320 SERIES

Refer to the table below for supply wiring and fusing.

CABLE RESTRAINT



I-bolt is to be secured to the building using acceptable building construction practices.



DRYWALL CONSTRUCTION
Secure I-bolt to a building stud. Do not attach to drywall only. Preferred installation is approximately six inches to either side of service. Cable restraint must be at least six inches shorter than flexible conduit.

(Per Well)

Volts	Phase	Kw	Amps
200-208	3	14.4	40
220/240	3	14.4	40
440-480	3	14.4	17
380-415	3	14.4	20



To avoid electrical shock, this appliance must be equipped with an external circuit breaker which will disconnect all ungrounded (unearthed) conductors. The main power switch on this appliance does not disconnect all line conductors.

To avoid electrical shock, this fryer must be adequately and safely grounded (earthed). Refer to local electrical codes for correct grounding (earthing) procedures or in absence of local codes, with The National Electrical Code, ANSI/NFPA No. 70-(the current edition). In Canada, all electrical connections are to be made in accordance with CSA C22.1, Canadian Electrical Code Part 1, and/or local codes.



CE units require a minimum wire size of 6 mm to be wired to the terminal block.

Permanently connected electric fryers with casters must be installed with flexible conduit and a cable restraint, when installed in the United States. See illustration at left. Holes are available in the rear fryer frame for securing the cable restraint to the fryer. The cable restraint does not prevent the fryer from tipping.

2-11. TESTING THE FRYER

Each Henny Penny pressure fryer was completely checked and tested prior to shipment. However, it is good practice to check the unit for proper operation.

2-12. JOINING INSTRUCTIONS

The following instructions are for joining two units together. The instructions have part numbers in them. Please refer to figure 2-1 on the following page to visually match the numbers in the instructions below to the illustration.

1. Remove all hardware from the sides of the two open fryers.
2. Remove the right control panel assembly from the left unit and the left control panel assembly from the right unit.
3. Move the two units side by side with minimal gap.
4. Remove the right front caster from the left unit and the left rear caster from the right unit. Fasten both casters to the rear of the unit with wire ties (EF02-041).
5. Position the two open fryers by inserting bolts (SC01-227) thru the holes in top cover and the pot sides. Use washer (WA01-017) on both sides of the bolt when installing. **DO NOT TIGHTEN!**
6. Position front spacer (60554) between the front of the two open fryers. Place bolt (SC01-231), backed by washers (55350 & WA01-016), thru three holes in the frame capturing the spacer between the frames. Place washers (55350 & WA01-016) on bolt before installing nuts (NS02-010). **DO NOT TIGHTEN!**
7. Repeat with rear spacer (60555).
8. Tighten all fasteners securely.
9. Place cover (60593) over gap between open fryers.
10. Drill out dimples on rear shroud to 0.250 diameter holes.
11. Apply silicon around edge of unfinished side of rear cover (60599). Install rear cover (60599) with #8 nuts (NS02-007).

2-12. JOINING INSTRUCTIONS
(Continued)

12. Apply silicon around edge of unfinished side of top cover (60590) and basket rest cover (60591). Position top cover (60590) on open fryer top cover and install basket rest cover (60591) using #10 screws and nuts (SC01-074 & 60795).

13. Apply silicon to any gaps that may be left.

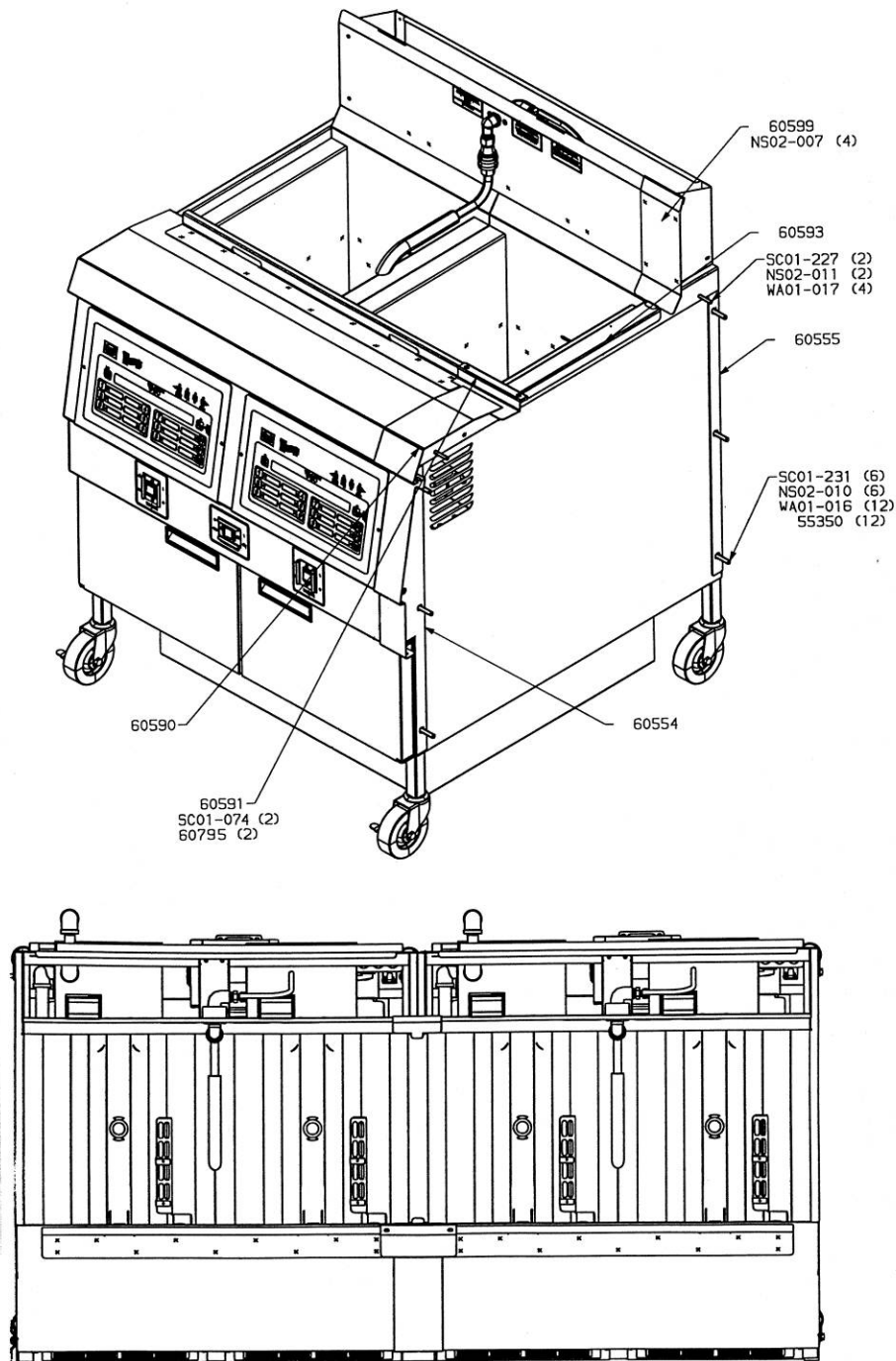
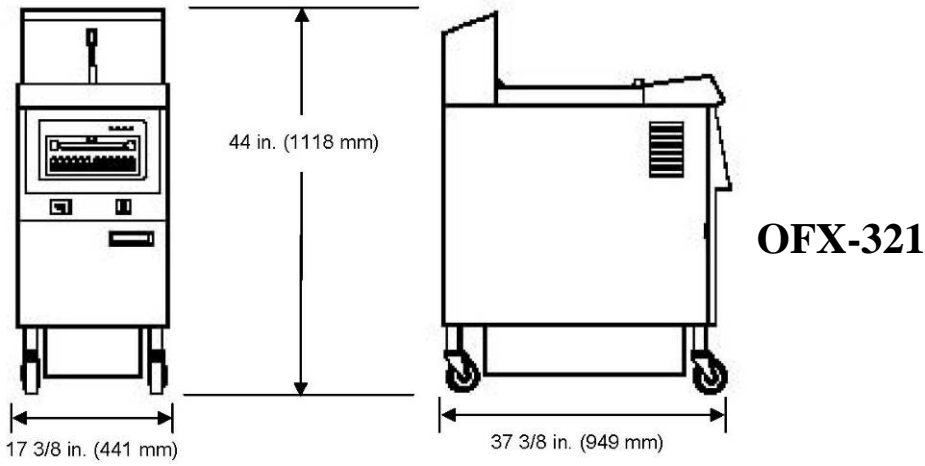
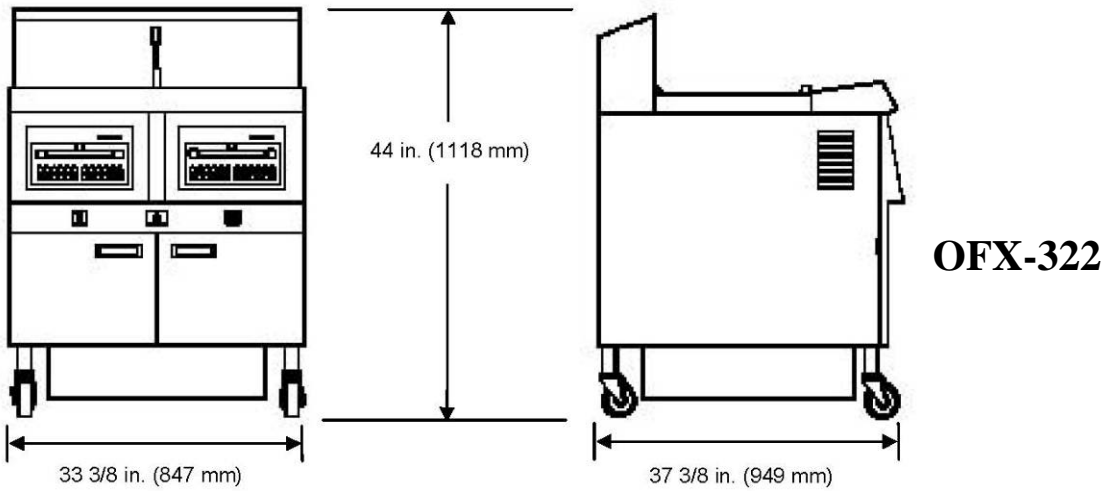


Figure 2-1

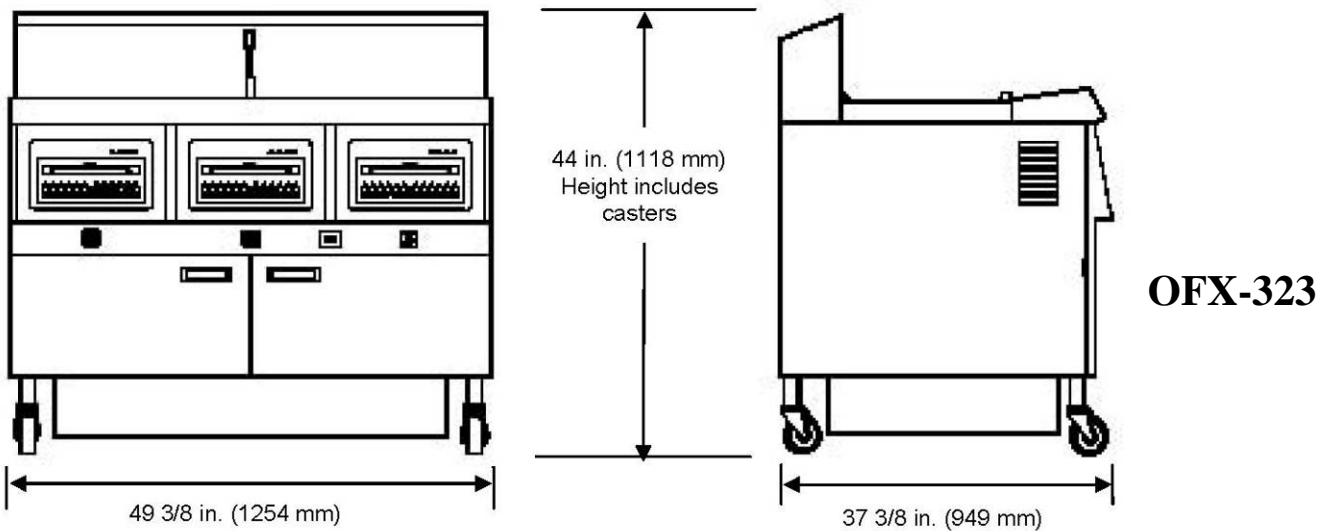
2-13. DIMENSIONS



OFX-321



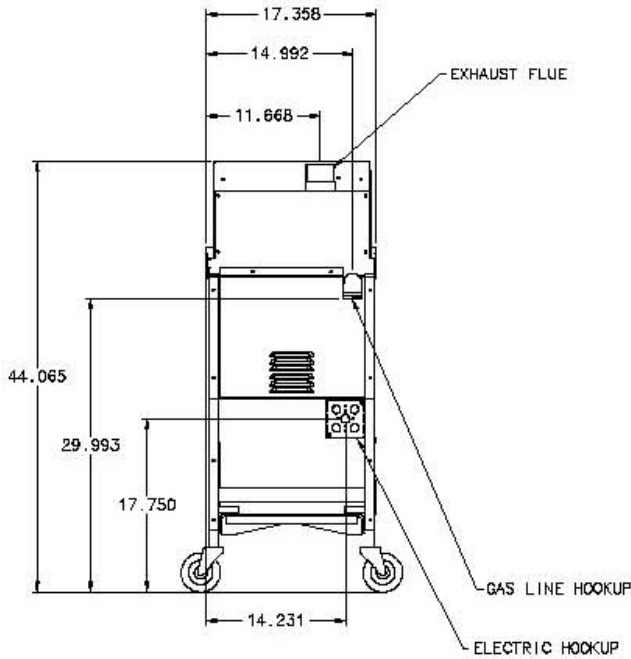
OFX-322



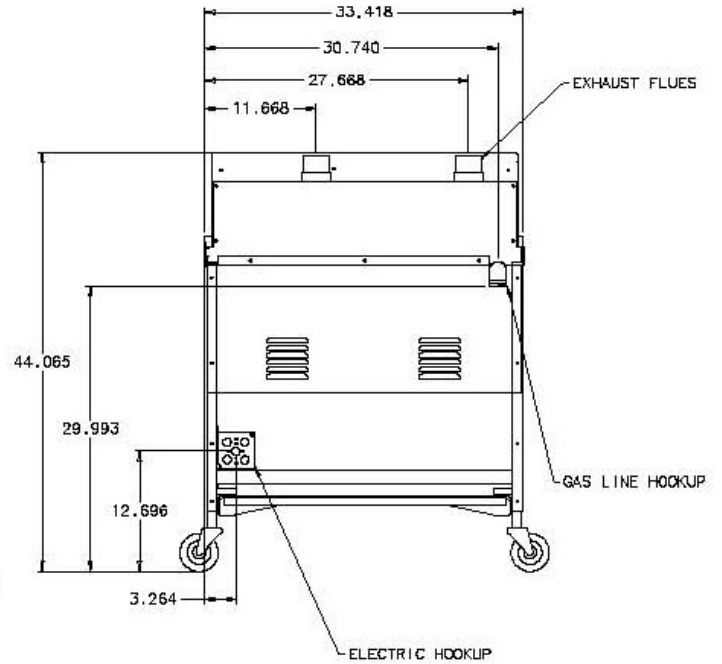
OFX-323

2-13. DIMENSIONS (Continued)

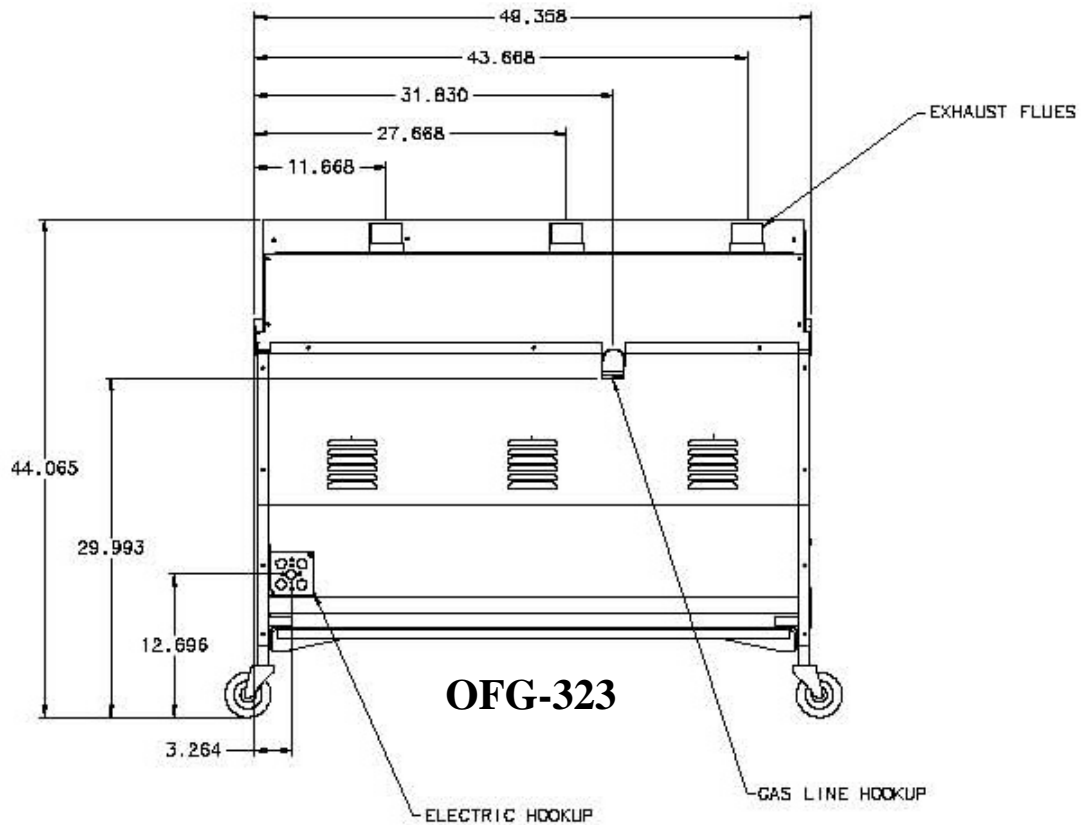
OFG-32X Flue & Gas Line Dimensions
(All views are from rear of fryers)



OFG-321



OFG-322



OFG-323