

## RANGE COMPOSITION

N 700: a range of over 100 models for the professional caterer designed to guarantee the highest level of performance, reliability, energy saving, safety standards and ergonomic operation. These concepts are reflected in the total modularity of the range that ensures numerous configurations, either free-standing or bridged. N 700 demonstrates how advanced technology can satisfy the needs of the professional caterer. The models detailed on this sheet are 12 litres electric fryers with one or two wells.



178123

# N 700

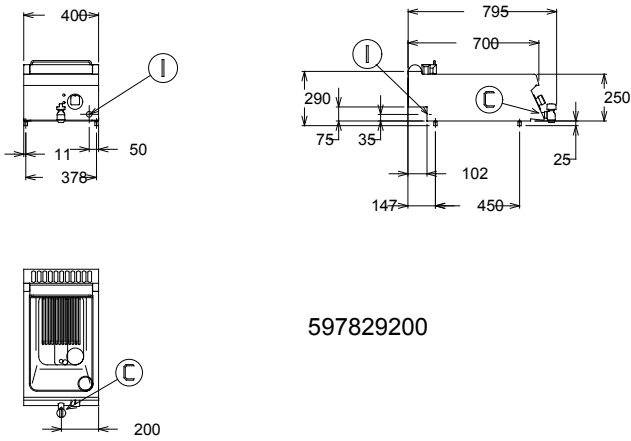
## ELECTRIC FRYERS - 12 LT ZANUSSI PROFESSIONAL

### FUNCTIONAL AND CONSTRUCTION FEATURES

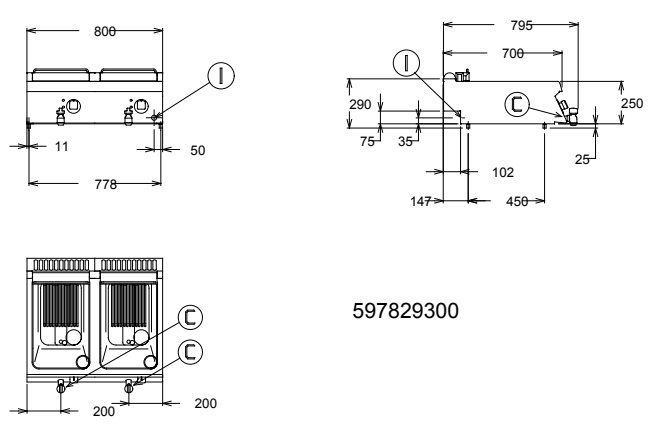
- ◆ Incoloy armoured high efficiency heating elements.
- ◆ Working temperature from 105°C to 185°C.
- ◆ Additional overheat safety thermostat.
- ◆ Heating elements inside the well.
- ◆ All models have right-angled side edges to allow flush-fitting joins between units, eliminating gaps and possible dirt traps.
- ◆ Worktop in 1,5mm stainless steel. Front panel in stainless steel with Scotch Brite finish.
- ◆ IPX4 water protection.
- ◆ Oil drainage via tap on front for table-top models.
- ◆ Main connections can be via the rear or the base of the unit.

- ◆ All models can easily be mounted on open base cupboards or bridging supports.
- ◆ All top models provided with service duct to facilitate installation.

TECHNICAL DATA				
CHARACTERISTICS	MODELS			
	KFRE400T 178122	KFRE400T2 178129	KFRE800T 178123	KFRE800T2 178130
Power supply	Electric	Electric	Electric	Electric
External dimensions - mm				
width	400	400	800	800
depth	700	700	700	700
height	250	250	250	250
N° of wells	1	1	2	2
Usable well dimensions - mm				
width	240	240	240	240
depth	420	420	420	420
height	235	235	235	235
Thermostatic	●	●	●	●
Temperature limiter	●	●	●	●
Maximum Well Capacity -lt	10, 12	10, 12	10, 12	10, 12
Power - kW				
installed-electric	8.7	8.7	17.4	17.4
Net weight - kg.	25	25	45	45
Supply voltage	400 V, 3N, 50/60	230 V, 3, 50/60	400 V, 3N, 50/60	230 V, 3, 50/60
<b>INCLUDED ACCESSORIES</b>				
BASKET FOR 12 LT ELECTRIC FRYER TOPS	1	1	2	2



597829200



597829300

**LEGEND**

	<b>KFRE400T 178122</b>	<b>KFRE400T2 178129</b>	<b>KFRE800T 178123</b>	<b>KFRE800T2 178130</b>
I - Electrical connection	400 V, 3N, 50/60	230 V, 3, 50/60	400 V, 3N, 50/60	230 V, 3, 50/60

**OPTIONAL ACCESSORIES**

ACCESSORIES	MODELS			
	KFRE400T 178122	KFRE400T2 178129	KFRE800T 178123	KFRE800T2 178130
2 SIDE COVERING PANELS FOR TOP-D=700MM	206277	206277	206277	206277
BASKET FOR 12 LT ELECTRIC FRYER TOPS	921629	921629	921629	921629
CHIMNEY UPSTAND 400MM	206303	206303		
CHIMNEY UPSTAND 800MM			206304	206304
FRONTAL HANDRAIL 1200 MM	206191	206191	206191	206191
FRONTAL HANDRAIL 1600 MM	206192	206192	206192	206192
FRONTAL HANDRAIL 400 MM	206166	206166	206166	206166
FRONTAL HANDRAIL 800 MM	206167	206167	206167	206167
LARGE HANDRAIL(PORTIONING SHELF)400 MM	206185	206185	206185	206185
LARGE HANDRAIL(PORTIONING SHELF)800 MM	206186	206186	206186	206186
RIGHT AND LEFT SIDE HANDRAILS	206240	206240	206240	206240
SUPPORT FOR "BRIDGE" SYSTEM 1000 MM	206138	206138	206138	206138
SUPPORT FOR "BRIDGE" SYSTEM 1200 MM	206139	206139	206139	206139
SUPPORT FOR "BRIDGE" SYSTEM 1400 MM	206140	206140	206140	206140
SUPPORT FOR "BRIDGE" SYSTEM 1600 MM	206141	206141	206141	206141
SUPPORT FOR "BRIDGE" SYSTEM 400 MM	206154	206154	206154	206154
SUPPORT FOR "BRIDGE" SYSTEM 800 MM	206137	206137	206137	206137



www.zanussiprofessional.com