

*Parts Manual for*  
**SNAPPER®**

**30" STANDARD DECK  
REAR ENGINE RIDER  
SERIES 23**

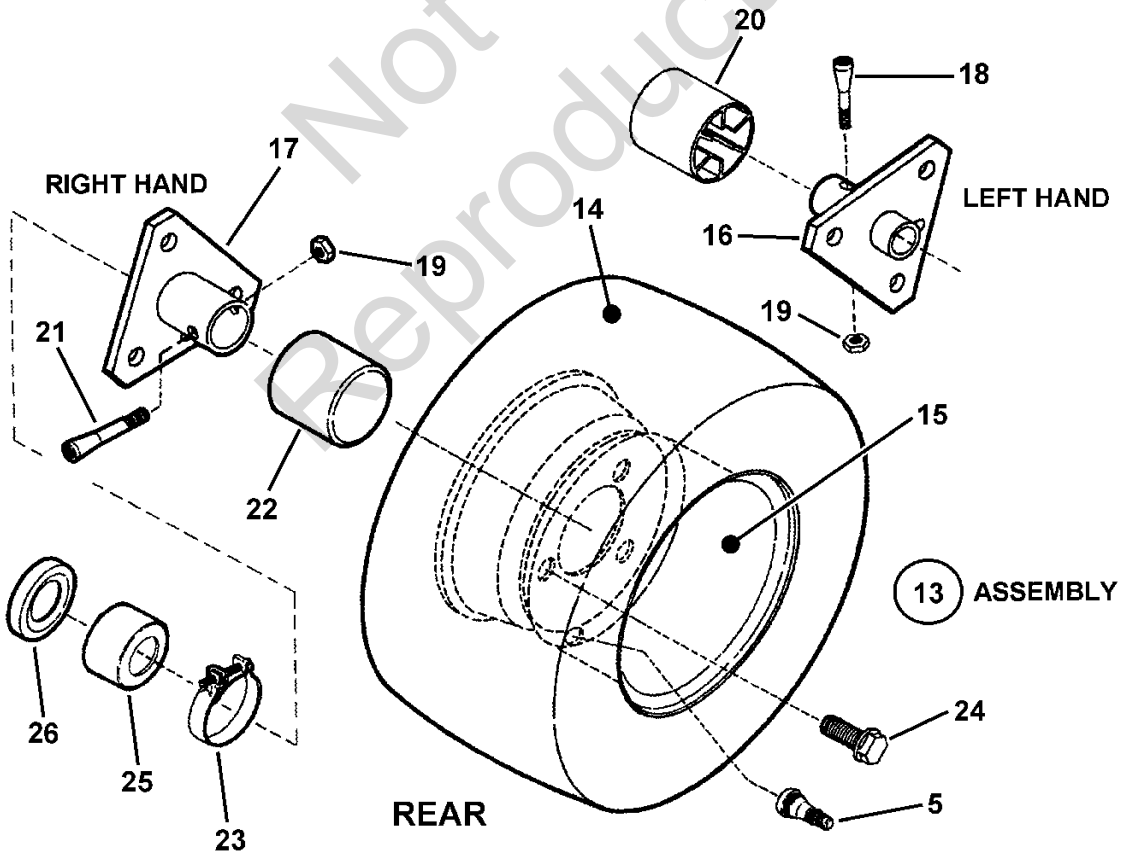
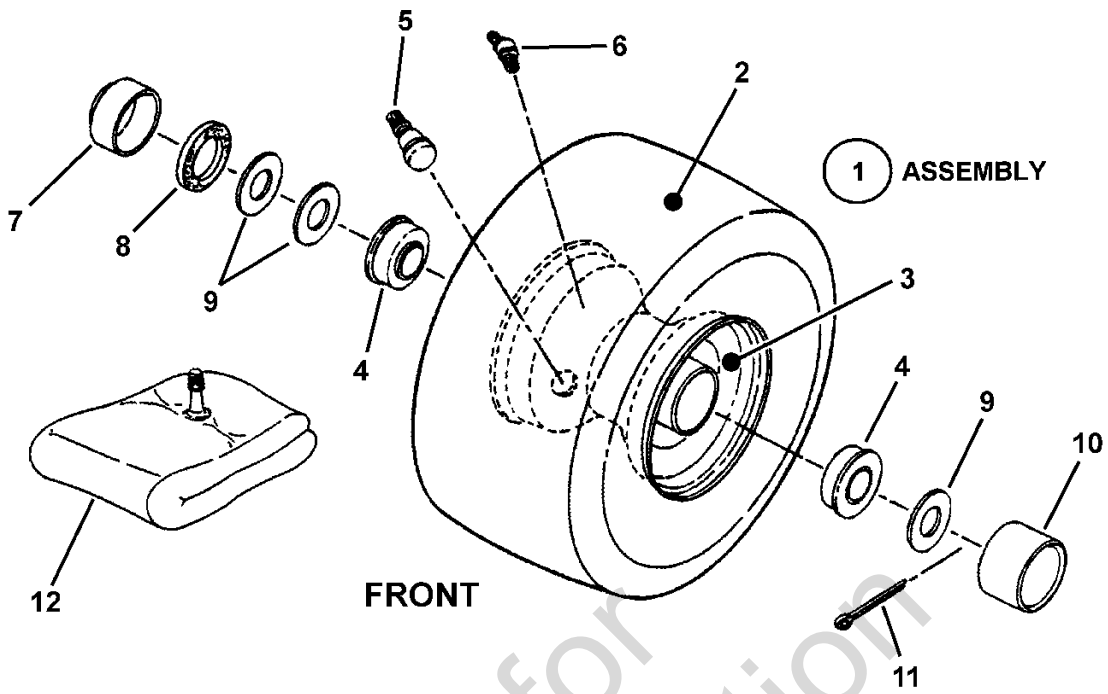


3013523BVE Shown

<i>Model No.</i>	<i>Description</i>
84873	301123BV
84875	301123BVE
7084941	3011523BV
7800103	3011523BV
7800648	3011523BV
84941	3011523BV
7085623	3012523BVE
7800105	3012523BVE
7800650	3012523BVE
85623	3012523BVE
84877	301323BVE
7085625	3013523BVE
7800697	3013523BVE
85625	3013523BVE
84882	W301023BVE

Not for  
Reproduction

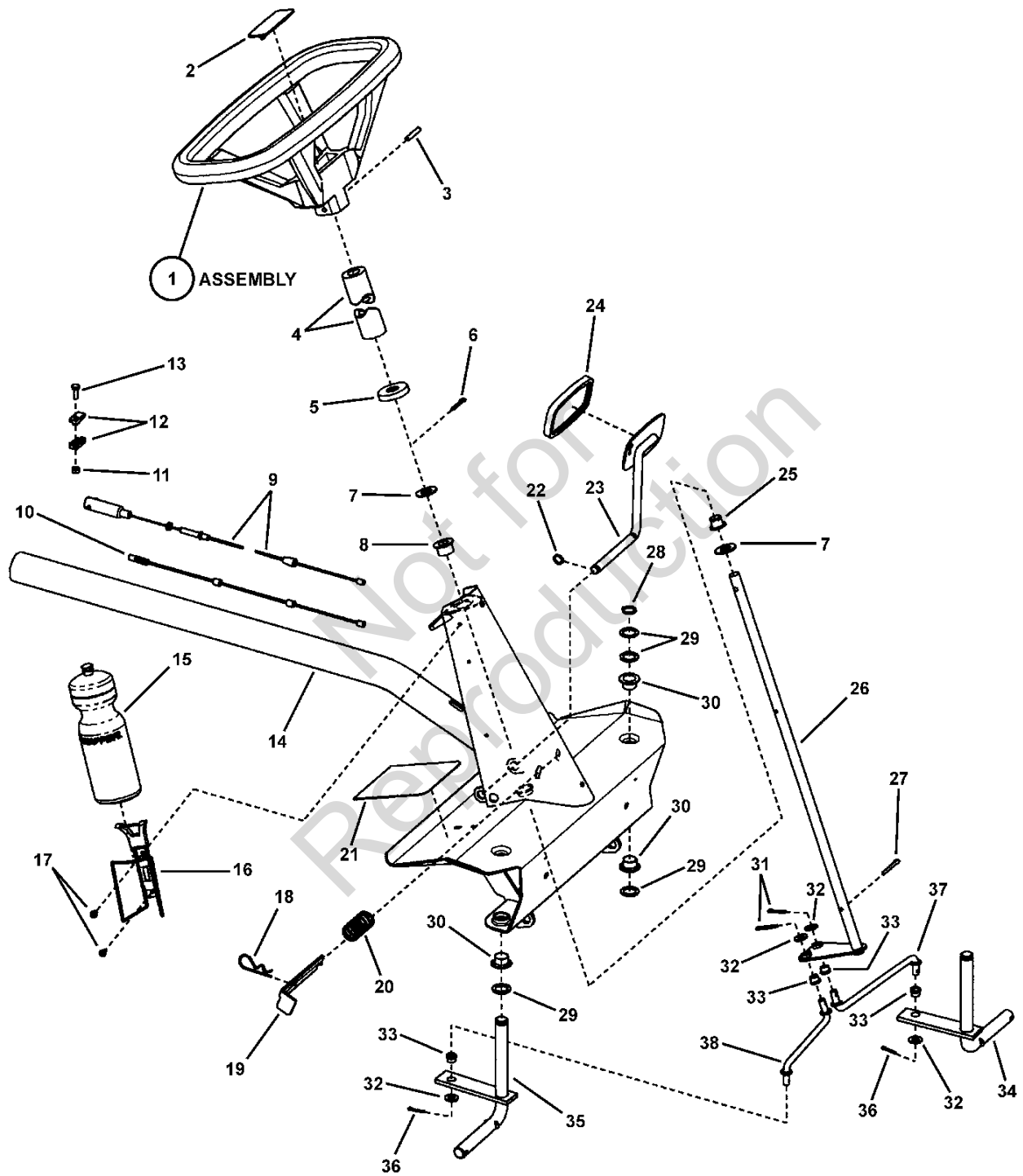
<b>PAGE</b>	<b>GROUP</b>
4	Wheels - Front & Rear
6	Front End, Steering
8	Main Case & L.H. Fender
10	Left Hand Fender & Bearing
12	Differential & R.H. Fender
14	Yoke Lift Components
16	Primary Chain Case & Smooth Clutch
18	Gear Shifter Assembly
20	Fuel Tank & Seat
22	Engine, Muffler & Drive Disc
24	30" Cutting Deck & Deflector
26	30" Deck Recycling Components
28	Belt, Brake & Interlock
30	Rails, Lift Arms & Cam Lift
32	Blade Stop Pedals
34	Spindle
36	Decals
38	Electrical System (Briggs magneto Ground)
40	Electrical System (10, 11 & 12.5HP Briggs)
42	Electrical System (11 & 11.5HP Briggs Recoil Start)
44	Electrical System (13 & 13.5HP Briggs)
46	Wiring Schematic (10, 11 & 12.5HP Briggs)
48	Wiring Schematic (11 & 11.5HP Briggs Recoil Start)
50	Wiring Schematic (13HP Briggs)
52	Wiring Schematic (13.5HP Briggs)



## Wheels - Front & Rear

Item	Part No	Qty	Description
1	7058943	2	ASSEMBLY, Front Tire & Rim (11.0") (Complete) (Includes items 2, 3, 4, 5 & 6)
2	7073563	1	TIRE, 11 x 4.00-4 (Kenda)
3	7017146	1	RIM (For 11.0 x 4.0 x 4 Tire)
4	7011807	2	BALL BEARING, Flange (3/4" I.D.)
5	7012234	1	VALVE STEM, Snap In
6	7014669	1	LUBE Fitting
7	7031038	2	CAP, Dust
8	7011032	2	SEAL, Felt
9	7010935	8	WASHER, .77 x 1.13 x .06 Flat
10	7011022	2	HUB CAP
11	7091516	2	COTTER PIN, 5/32 x 1"
12	7010821	2	INNER TUBE (For 4.10/3.50 x 4 Tire)
13	7058951	2	ASSEMBLY, Rear Tire & Rim (Includes Items 5, 14 & 15)
14	7073584	1	TIRE, 16 x 6.50-8 (Kenda)
15	7017147	1	RIM, Extra Wide (For 16/7.50 x 8 Tire)
16	7040434	1	HUB, Rear Wheel LH, 3 Hole 3/4" ID
17	7040433	1	HUB, Rear Wheel RH, 3 Hole 1" ID
18	7011035	1	AXLE BOLT, 5/16-24 x 1-5/8" Tapered (Left Hand)
19	7011201	2	NUT, Wheel Bolt 5/16-24 Hex Center Lock
20	7023522	1	CAP, Hub, L. H. (Long Axle)
21	7011013	1	WHEEL BOLT, 5/16-24 x 2" Tapered (Right Hand)
22	7023895	1	CAP, Hub
23	7012332	4	CLAMP, Right Hand (for 2" Hose)
24	7091502	6	BOLT, 1/2-20 x 3/4" Lug, GR 5
25	7031732	1	CAP, Seal RH 1.0" ID x 1.67" OD (8 & 10 HP)
26	7011817	1	SEAL, 1.22" ID x 1.875" OD

### Footnotes:

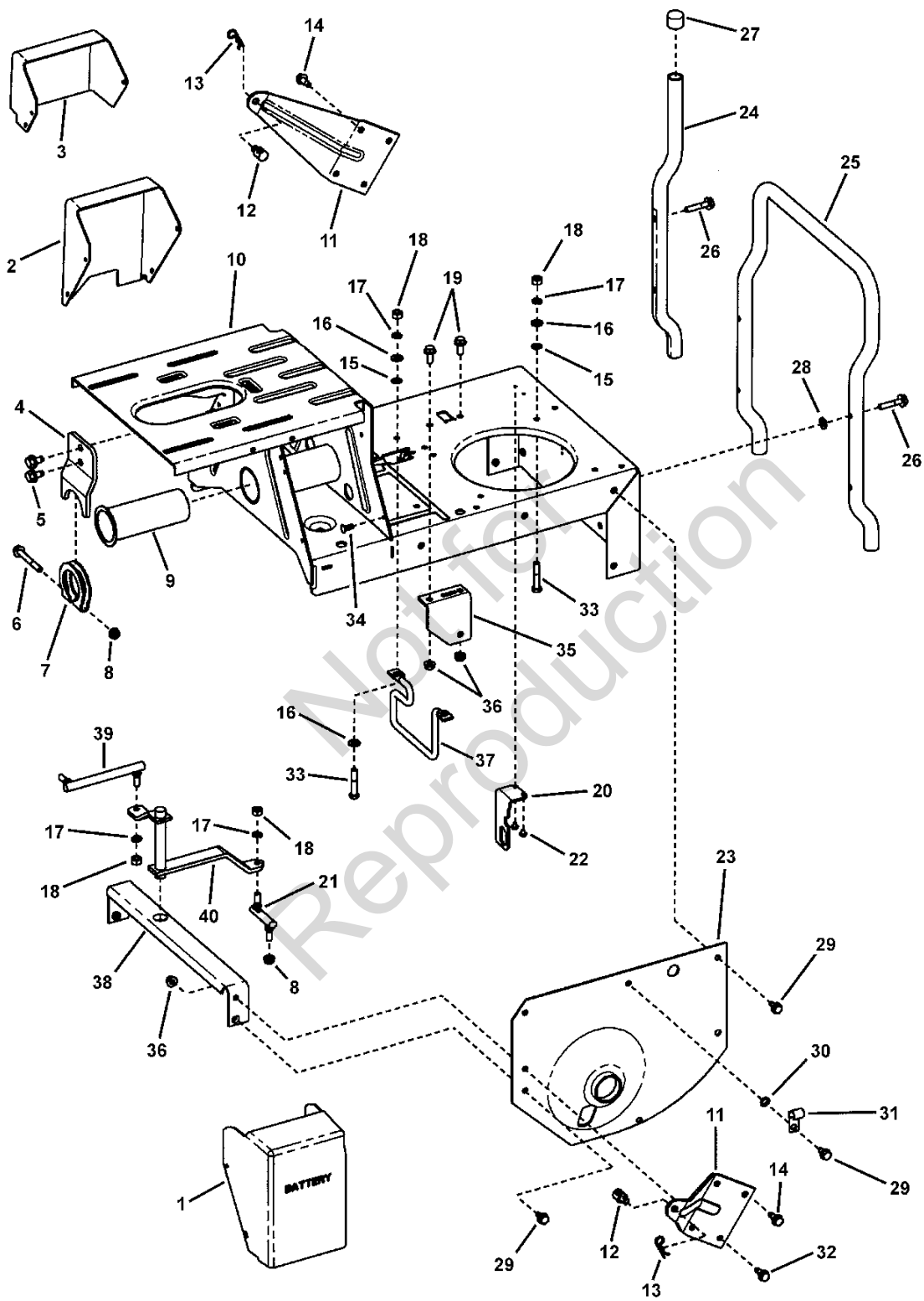


## Front End, Steering

Item	Part No	Qty	Description
1	7058030	1	ASSEMBLY, Steering Wheel (for 5/8" shaft) Includes item 2
2	7023781	1	LOGO, Steering Wheel
3	7013862	1	ROLL PIN, 1/4 x 1-1/2"
4	7023667	1	FOAM COVER, Steering Shaft
5	7023671	1	COVER, Steering Shaft
6	7090296	1	PIN, 3/16 x 1" Cotter
7	7090183	2	WASHER, .66 x 1.31 x .09 Flat
8	7046158	1	BUSHING, Nylon
9	7101192	1	CABLE, Brake (29" long)
10	7022449	1	CABLE, Clutch/Brake (54.32" long)
11	7090372	1	NUT, 1/4-20 Hex Center Lock, GR 5 or B
12	7034174	2	CONNECTOR, Cable
13	7091495	1	SCREW, 1/4-20 x 3/4" Hex Head Cap, GR 5
14	7054378	1	WELDMENT, Front Axle, Narrow
15	7074561	1	BOTTLE, Water
16	7074560	1	HOLDER, Bottle (Wire)
17	7090913	2	SCREW, #10-24 x 1/2" Hex Washer Self-Tap (Torx)
18	7011714	1	HAIR PIN 2-1/4"
19	7038243D	1	LATCH, Parking Brake
20	7015444	1	SPRING, Parking Brake Latch
21	7014049	2	FOOT PAD, Short (5.5" x 4.7")
22	7010776	1	RING, 1/2" External Retaining (Heavy Duty)
23	7047888BM	1	WELDMENT, Clutch/Brake Pedal
24	7011815	1	PAD, Pedal
25	7010694	1	BUSHING, Nylon
26	7046232	1	WELDMENT, Steering Shaft
27	7091515	1	PIN, 3/16 x 1-1/2" Cotter or 7090753
28	7010746	2	RING, 3/4" External Retaining
29	7010935	6	WASHER, .77 x 1.13 x .06 Flat
30	7010986	4	BEARING, Nylon
31	7091516	2	PIN, 5/32 x 1" Cotter or 7090364
32	7090122	4	WASHER, 3/8" Flat or 7091514
33	7013321	4	BUSHING, Tie Rod
34	7041687	1	KING PIN Weldment, Left Hand
35	7041688	1	KING PIN Weldment, Right Hand
36	7091598	2	PIN, 1/8 x 3/4" Cotter or 7090365
37	7013023	1	TIE ROD, Left Hand (7.41" long)
38	7012933	1	TIE ROD, Right Hand (7.41" long)

### Footnotes:

Main Case & L.H. Fender



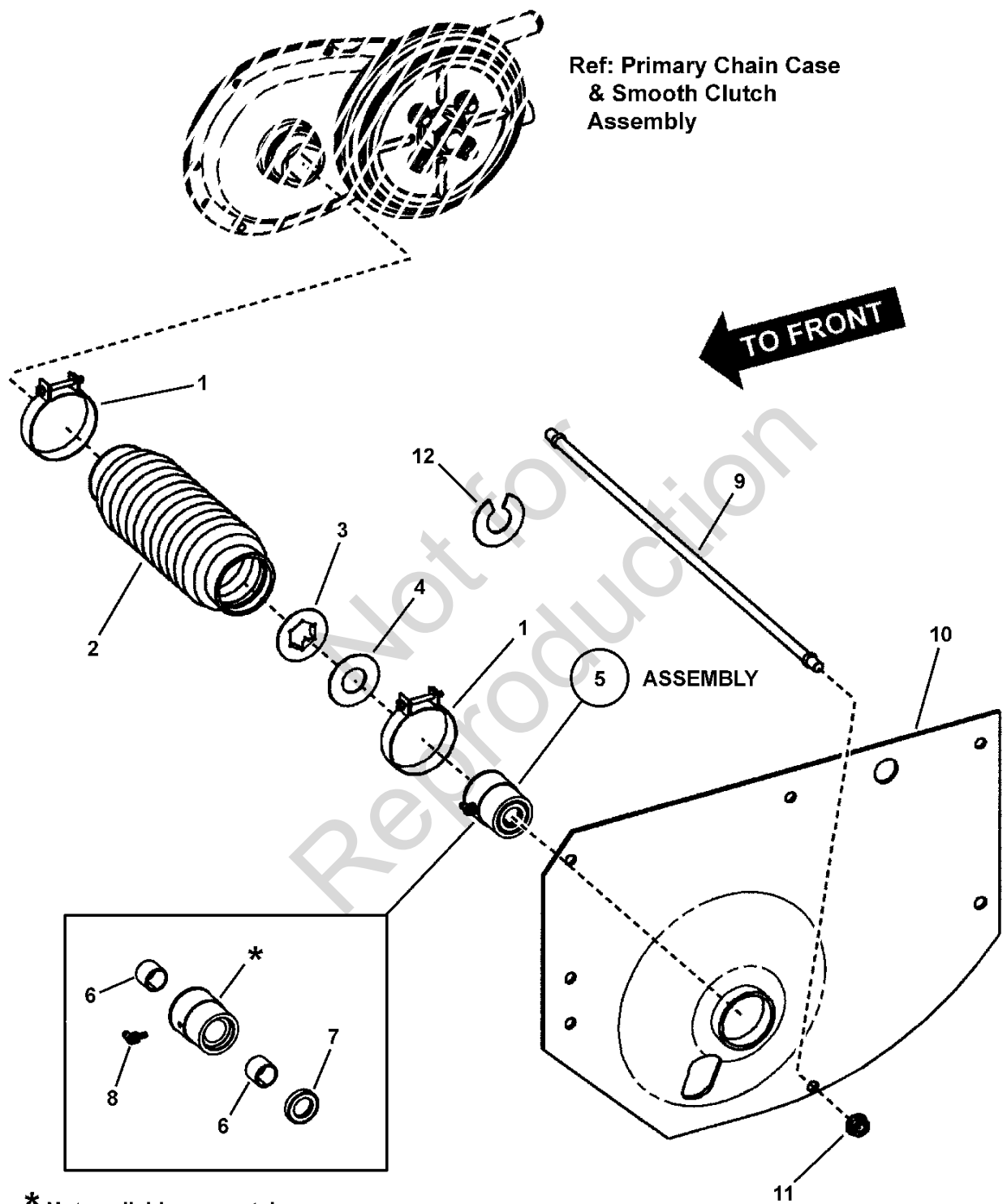


## Main Case & L.H. Fender

Item	Part No	Qty	Description
1	7028990	1	COVER, Battery
2	7028989	1	COVER, Switch
3	7073268	1	COVER, Solenoid
4	7074210	1	BRACKET, Belt Adjuster
5	7091198	2	SCREW, 3/8-16 x 5/8" Hex Washer Self-Tap
6	7090358	1	SCREW, 5/16-24 x 2-1/2" Hex Head Cap, GR 8
7	7031100	1	TUBE CLAMP
8	7010969	2	NUT, 5/16-24 Flange Lock (Large)
9	7074650	1	BUSHING, Pivot
10	7053697	1	WELDMENT, Main Case (Standard)
11	7034299	2	WING, Rear
12	7028200	2	SWIVEL, Adjustable
13	7091503	2	HAIR PIN, 3/32 x 1-1/2"
14	7090793	2	SCREW, 5/16-18 x 3/4" Hex Washer Self-Tap
15	7011791	4	RETAINER, 5/16" Bolt
16	7090188	4	WASHER, 34 x .69 x .08 Flat
17	7091315	7	WASHER, .32 x .58 x .08 Split Lock
18	7091297	7	NUT, 5/16-24 Hex, GR 5
19	7090595	2	BOLT, 5/16-18 x 3/4" Hex Flange Lock, GR 5
20	7073735	1	BRACKET, Switch
21	7011018	1	SHIFT LINK, Short (5/16-24 thread)
22	7090981	2	SCREW, #10-32 x 1/4" Hex Washer Self-Tap
23	7037285	1	FENDER, Left Hand (1.628" I. D. Hole)
24	7030798	2	BUMPER, Rear
25	7036367	1	BUMPER (1-Piece)
26	7091506	4	SCREW, 5/16-18 x 1-1/2" Hex Washer Self-Tap
27	7010153	2	CAP, Bumper
28	7090188	2	WASHER, 34 x .69 x .08 Flat
29	7091867	14	SCREW, 5/16-18 x 5/8" Hex Washer Self-Tap
30	7090391	1	WASHER, 5/16" Internal Tooth Lock
31	7012652	2	CLIP, Wire
32	7090206	1	SCREW, 5/16-18 x 3/4" Hex Head Cap, GR 5
33	7091513	4	SCREW, 5/16-24 x 1-3/4" Hex Head Cap, GR 5
34	7091272	7	FASTENER, 1/4" Ratchet
35	7047189	1	BRACKET, Drive Support
36	7090585	6	NUT, 5/16-18 Hex Flange Lock, GR 5
37	7017653	1	BELT GUIDE
38	7033799	1	CROSS BRACE
39	7023676	1	SHIFT LINK, Long (5/16-24 both ends)
40	7041384	1	WELDMENT, Shift Arm

### Footnotes:

**Left Hand Fender & Bearing**



\* Not available separately,  
order 7052827 (Assembly, DX Bearing)

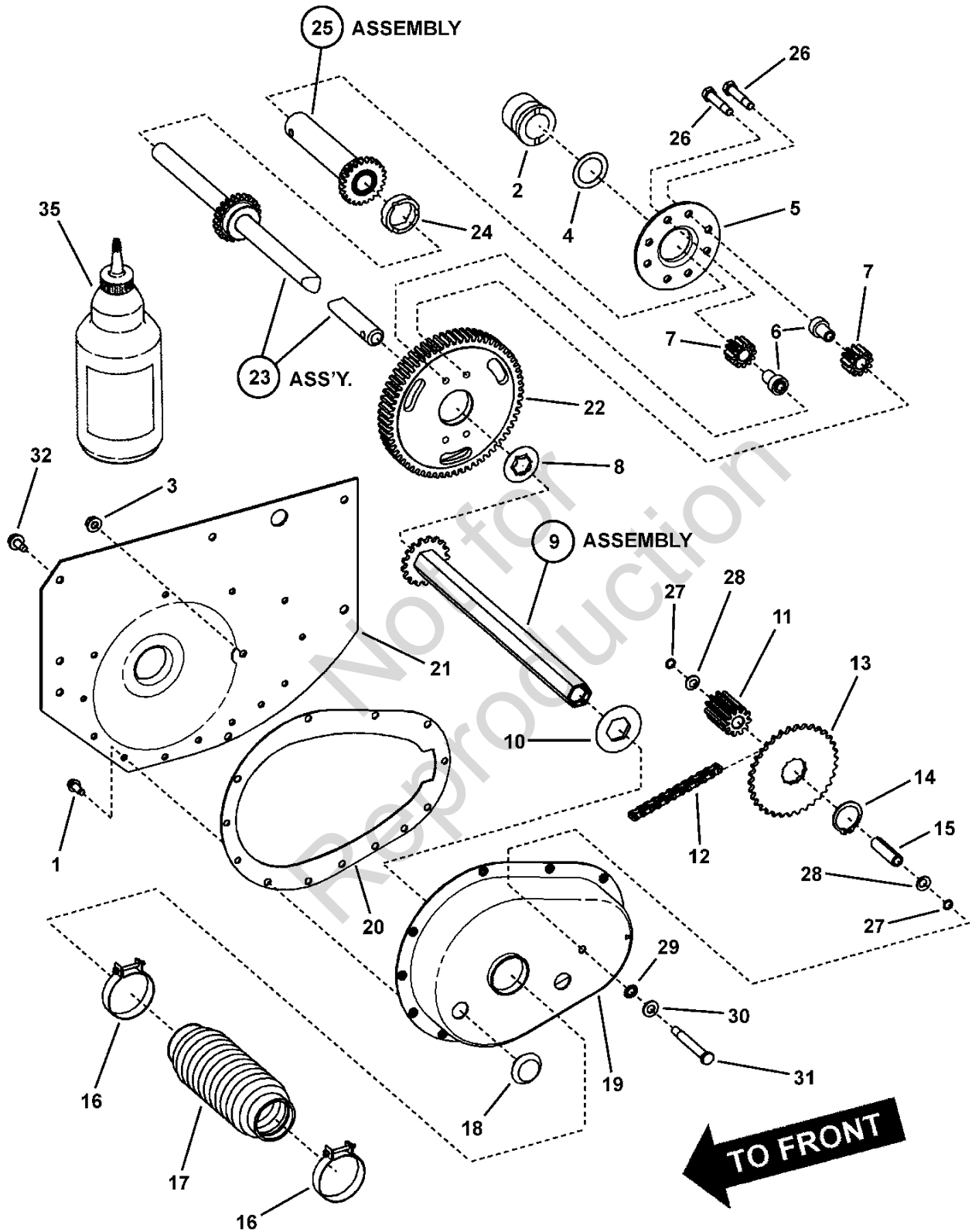
## Left Hand Fender & Bearing

---

Item	Part No	Qty	Description
1	7012332	2	CLAMP, 2" ID
2	7075115	1	BOOT, Rear Axle, Thick Flange
3	7011072	1	WASHER, Thrust
4	7011071	1	THRUST WASHER
5	7052827	1	ASSEMBLY, DX Bearing
6	7074182	2	BEARING, 3/4" I.D. DX
7	7074500	1	SEAL, .750 x 1.250 x .250 (Dust/Grease)
8	7075848	1	FITTING, Lube, 45 Degree, 3/16" w/Hex (long shank) or 7013324
9	7011070	1	TIE ROD, (5/16-24 thread- both ends)
10	7037285	1	FENDER, Left Hand (1.628" I. D. Hole)
11	7010969	1	NUT, 5/16-24 Flange Lock (Large)
12	7012271	1	WASHER, Shim or quantity as required

Not for  
Reproduction

### Footnotes:



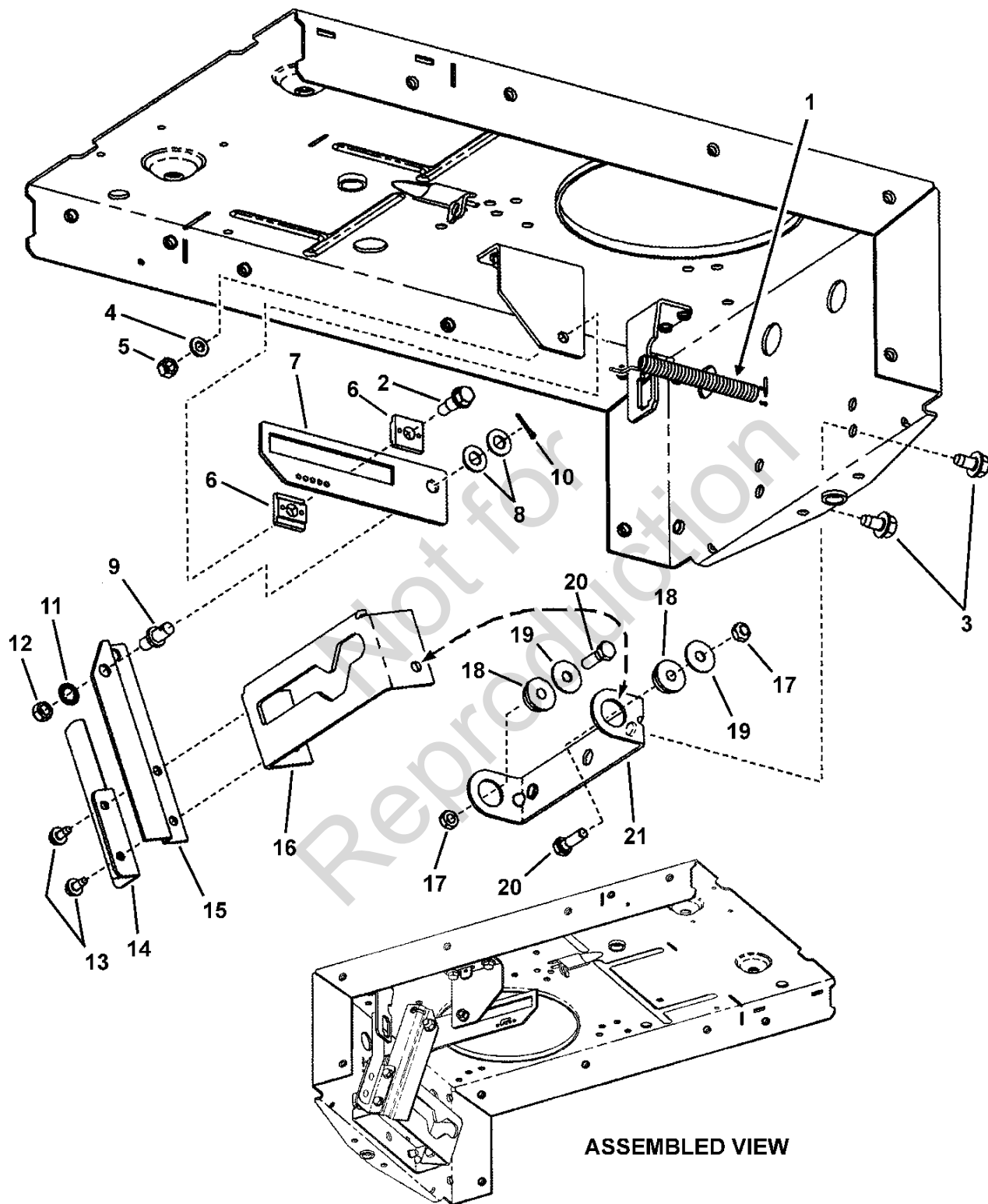
## Differential & R.H. Fender

Item	Part No	Qty	Description
1	7090362	13	SCREW, 1/4-20 x 5/8" Hex Washer Head Self-Tap
2	7012296	1	BEARING, Axle (R. H. Fender)
3	7010969	1	NUT, 5/16-24 Flange Lock (Large)
4	7031079	1	WASHER, Thrust
5	7038067	1	PLATE, Differential
6	7022115	4	SPACER, Pinion
7	7021127	4	GEAR, Differential Pinion (12T 12P)
8	7011072	1	WASHER, Thrust
9	7051584	1	* ASSEMBLY, Drive Hex Tube
10	7010988	1	WASHER, Nylon
11	7200128	1	GEAR, 11 Tooth, 10 Pitch
12	7010941	1	CHAIN, 46 Pitch (#35 Endless)
13	7021129	1	SPROCKET, 34T, 3/8P
14	7010965	1	RING, 1-3/16" External Retaining
15	7021128	1	SPACER, Differential Case
16	7012332	2	CLAMP, 2" ID
17	7075115	1	BOOT, Rear Axle, Thick Flange
18	7011024	1	PLUG, 1/2" Cup Insert
19	7037279	1	CASE, Transmission
20	7028762	1	GASKET, Transmission Case
21	7037280	1	FENDER, Right Hand (1.62" Dia. Hole)
22	7021158	1	GEAR, 63 Tooth 10 Pitch
23	7075479	1	ASSEMBLY, Long Axle (Includes 23T Gear)
24	7074431	1	SPACER, Differential Case
25	7057398	1	ASSEMBLY, Short Axle (Includes 23T Gear)
26	7012333	4	BOLT, 5/16-24 x 1-5/8" Hex Special Lock (Vibresist)
27	7011156	2	5/16" O-RING
28	7011782	2	WASHER, 5/16" Belleville
29	7090395	1	WASHER, 5/16" External Tooth Lock
30	7090188	1	WASHER, 34 x .69 x .08 Flat
31	7011042	1	SCREW, 5/16-24 x 2-5/8" Hex Head Cap
32	7090361	11	SCREW, 5/16-18 x 5/8" Hex Washer Self-Tap
35	7061017		GREASE, "00" Transmission (24 oz. Required)
--	7060411	1	KIT, Differential (4 Pinion) (Not Shown)
--	7060662	1	KIT, Differential (8 Pinion w/DX Bearing) (Not Shown)
--	7060412	1	KIT, Long & Short Axle (Includes items 23, 24 & 25) (Not Shown)

### Footnotes:

NOTE: \* Assembly includes two bearings inside hex tube (p/n 7015140, not shown) & one nylon washer (p/n 7010988, item 10).

# Yoke Lift Components



## Yoke Lift Components

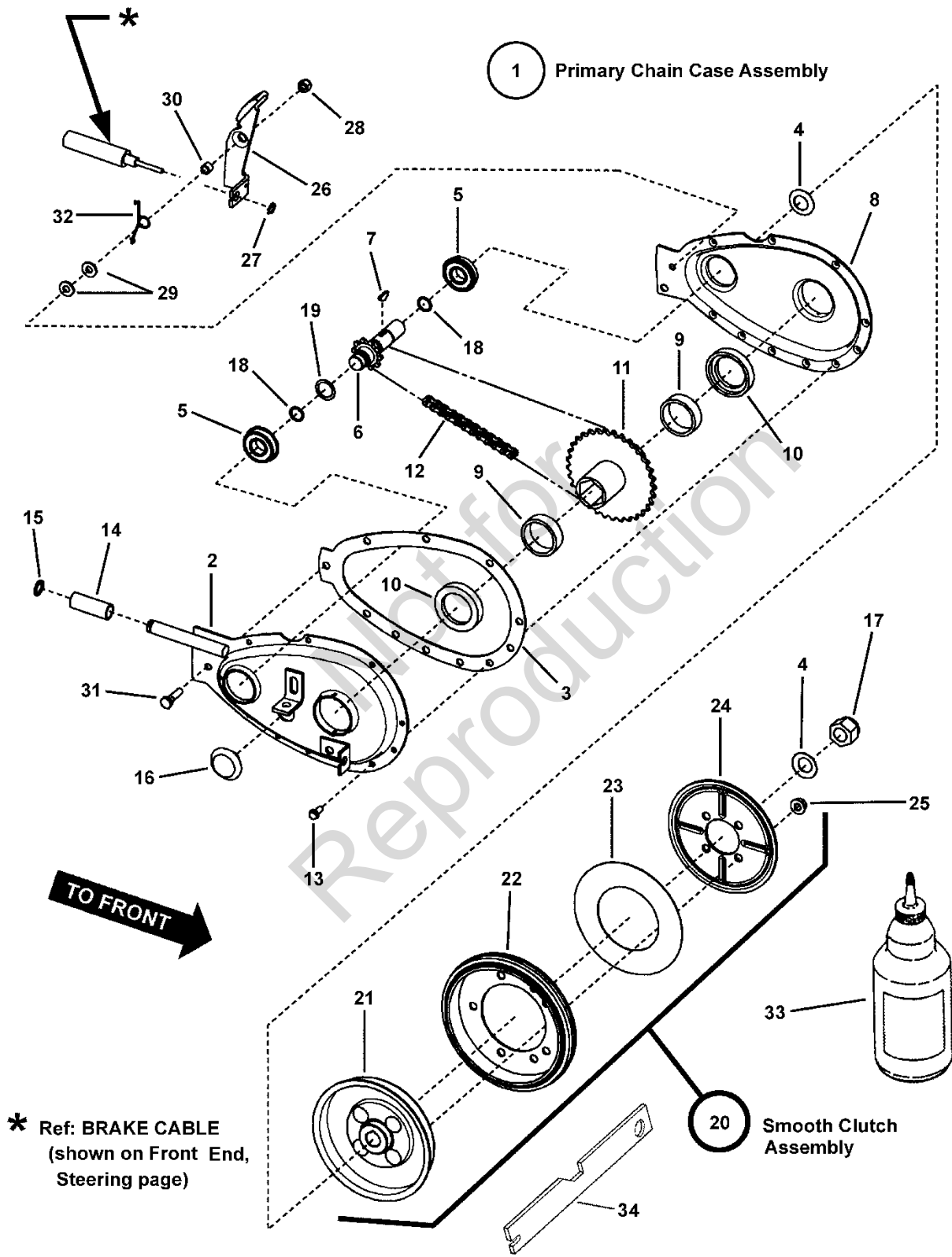
---

Item	Part No	Qty	Description
1	7013885	1	SPRING, Clutch & Brake
2	7014664	1	BOLT, 5/16-18 Shoulder
3	7091198	2	SCREW, 3/8-16 x 5/8" Hex Washer Self-Tap
4	7090187	1	WASHER, 5/16" Split Lock
5	7090196	1	NUT, 5/16-18 Hex, GR 5 or B
6	7014663	2	SLIDE HALF
7	7047190	1	BRACKET, Slide
8	7090122	2	WASHER, 3/8" Flat
9	7015464	1	STUD, Clutch Link (3/8-24 thread)
10	7091597	1	PIN, 3/32 x 3/4" Cotter
11	7090390	1	WASHER, 3/8" Internal Tooth Lock
12	7090155	1	NUT, 3/8-24 Hex, GR 5 or B
13	7090539	2	SCREW, 1/4-20 x 1/2" Hex Washer Self-Tap
14	7059068	1	ASSEMBLY, Leaf Spring
15	7073733	1	ARM, Yoke
16	7046162	1	LIFT, Yoke
17	7011201	2	NUT, Wheel Bolt 5/16-24 Hex Center Lock
18	7011048	2	BEARING, Yoke
19	7011763	2	FENDER WASHER, 5/16"
20	7090238	2	SCREW, 5/16-24 x 1" Hex Head Cap, GR 5
21	7033291	1	COLLAR, Yoke

Not for  
Reproduction

### Footnotes:

# Primary Chain Case & Smooth Clutch



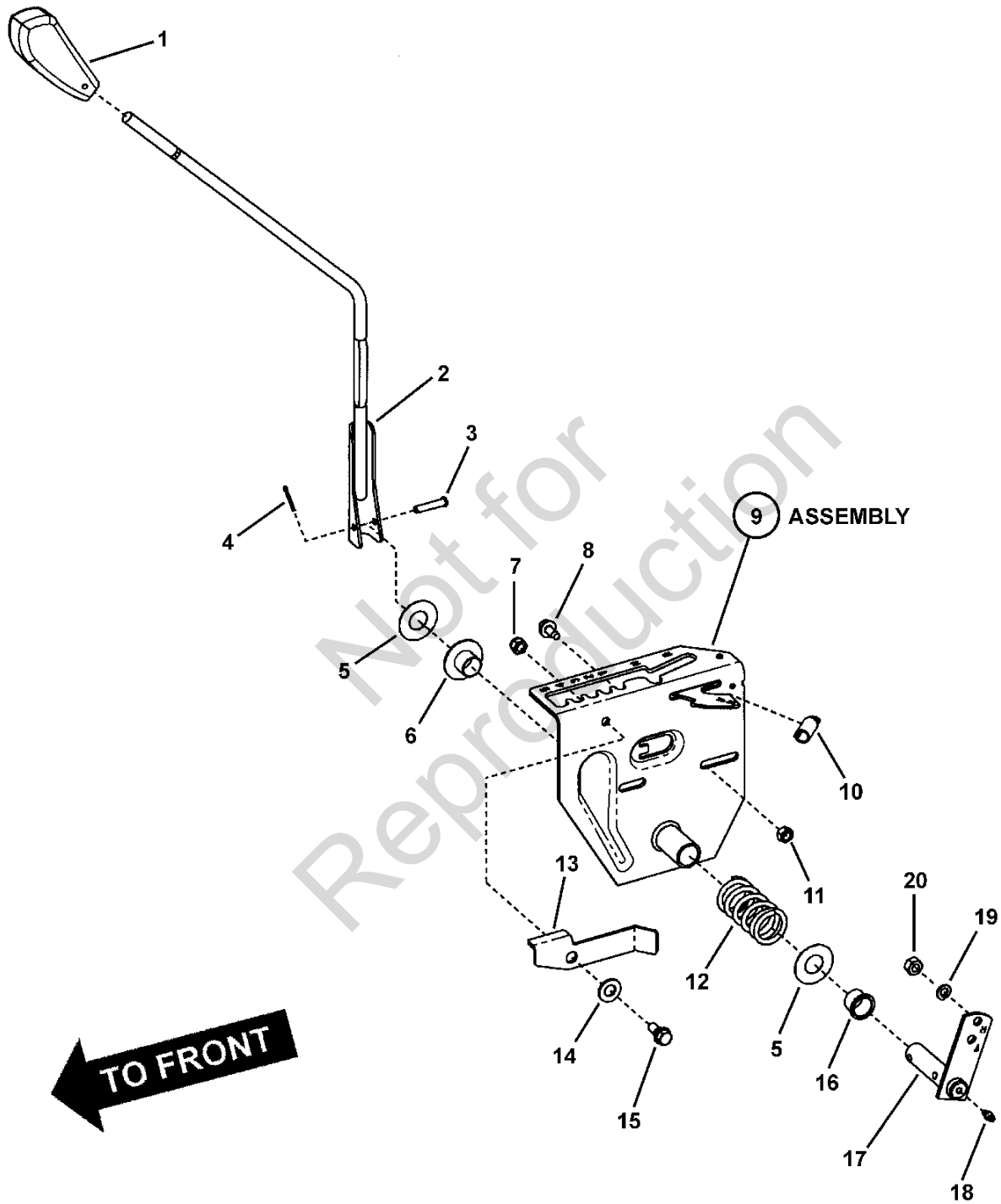


## Primary Chain Case & Smooth Clutch

Item	Part No	Qty	Description
1	7052683	1	ASSEMBLY, Primary Chain Case (Includes the following 16 items)
2	7041136	1	WELDMENT, Primary Chain Case Half, Right Hand
3	7028761	1	GASKET, Primary Chain Case
4	7011121	2	WASHER, 5/8" Belleville
5	7010756	2	BEARING, .625 x 1.37 x .435
6	7018963	1	WELDMENT, Sprocket & Shaft
7	7010614	1	KEY, #5 Woodruff
8	7039778	1	PRIMARY CHAIN CASE HALF, Left Hand
9	7010942	2	BEARING, Needle 1.355" ID x 1.6245" OD x .5" Wide
10	7011086	2	THRUST WASHER, Nylon
11	7040355	1	WELDMENT, Hub & Sprocket
12	7010941	1	CHAIN, 46 Pitch (#35 Endless)
13	7090307	10	SCREW, 10-24 x 1/2" Hex Washer Self-Tap
14	7022785	1	ROLLER, 1-3/8 Long
15	7010776	1	RING, 1/2" External Retaining (Heavy Duty)
16	7011024	1	PLUG, 1/2" Cup Insert
17	7091505	1	NUT, 5/8-18 Hex Nyloc
18	7019260	2	O-RING, 1/2 x 5/8"
19	7027981	1	WASHER, Shim .625 x .875
20	7053114	1	ASSEMBLY, Smooth Clutch (non-asbestos) (Includes the following 5 items)
21	7059443	1	HUB, Driven Disc (assembly) replaces 7054243 (voided)
22	7053103	1	DISC, Driven (rubber tire bonded to rim)
23	7014523	1	THRUST WASHER
24	7032331	1	PLATE, Drive Disc
25	7092081	4	NUT, 5/16-24 Hex Flange Lock or 7090480, center lock flange nut
26	7052497	1	ASSEMBLY, Brake Lever (Includes brake pad & rivet)
27	7012313	1	RING, 3/8" External Retaining
28	7090303	1	NUT, 1/4-28 Hex Top Lock
29	7091294	2	WASHER, .28 x .63 x .06 Flat, GR 5
30	7072593	1	SPACER, Brake Arm Pivot (.418/.403 long)
31	7091504	1	SCREW, 1/4-28 x 1" Hex Head Cap, (Washer Face) GR 5
32	7072406	1	SPRING, Torsional Brake Return
33	7061017		GREASE, "00" Transmission (Use 2 oz. maximum)
34	7032392	1	TOOL, Smooth Start Clutch (Recommended for Rubber Disc replacement & Drive Disc adjustment)

### Footnotes:

**Gear Shifter Assembly**



## Gear Shifter Assembly

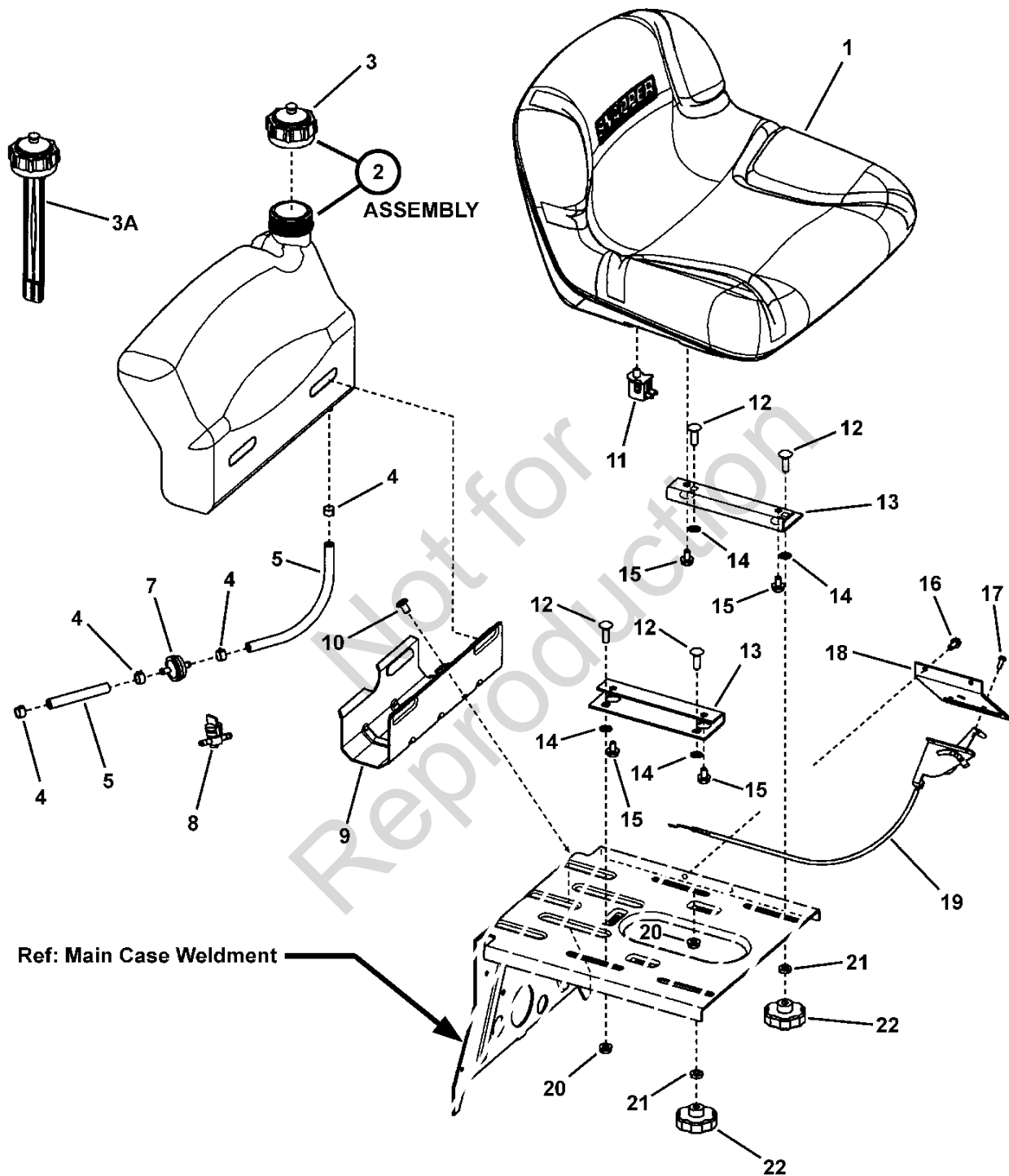
---

Item	Part No	Qty	Description
1	7023656	1	GRIP, Shift Handle
2	7059212	1	WELDMENT, Shift Handle
3	7023914	1	PIN, 1/4 x 1-3/4" Tapered Clevis
4	7090037	1	PIN, 3/32 x 3/4" Cotter
5	7031036	2	WASHER, Thrust
6	7019245	1	BUSHING, 3/4 x 1.62 Flange (Nylon)
7	7091298	1	NUT, 5/16-18 Hex Nyloc
8	7090361	1	SCREW, 5/16-18 x 5/8" Hex Washer Self-Tap
9	7058763	1	* ASSEMBLY, Speed Adjustment Latch
10	7026292	1	SPRING, Extension .055 WD, 8 # Rate, 2 IT, 2 FL
11	7090196	1	NUT, 5/16-18 Hex, GR 5 or B
12	7010754	1	SPRING, Shift Detent
13	7073289	1	LEVER, Over-Ride
14	7091595	1	WASHER, .47 x .92 x .065 Flat
15	7015761	1	SHOULDER BOLT, 5/16-18
16	7019246	1	BUSHING, 3/4, 1" Flange (Nylon)
17	7043201	1	WELDMENT, Arm, Shift Handle (w/grease ftg. Hole)
18	7010817	1	LUBE FITTING, 3/16" Press-In
19	7091315	1	WASHER, .32 x .58 x .08 Split Lock
20	7091297	1	NUT, 5/16-24 Hex, GR 5

Not for  
Reproduction

### Footnotes:

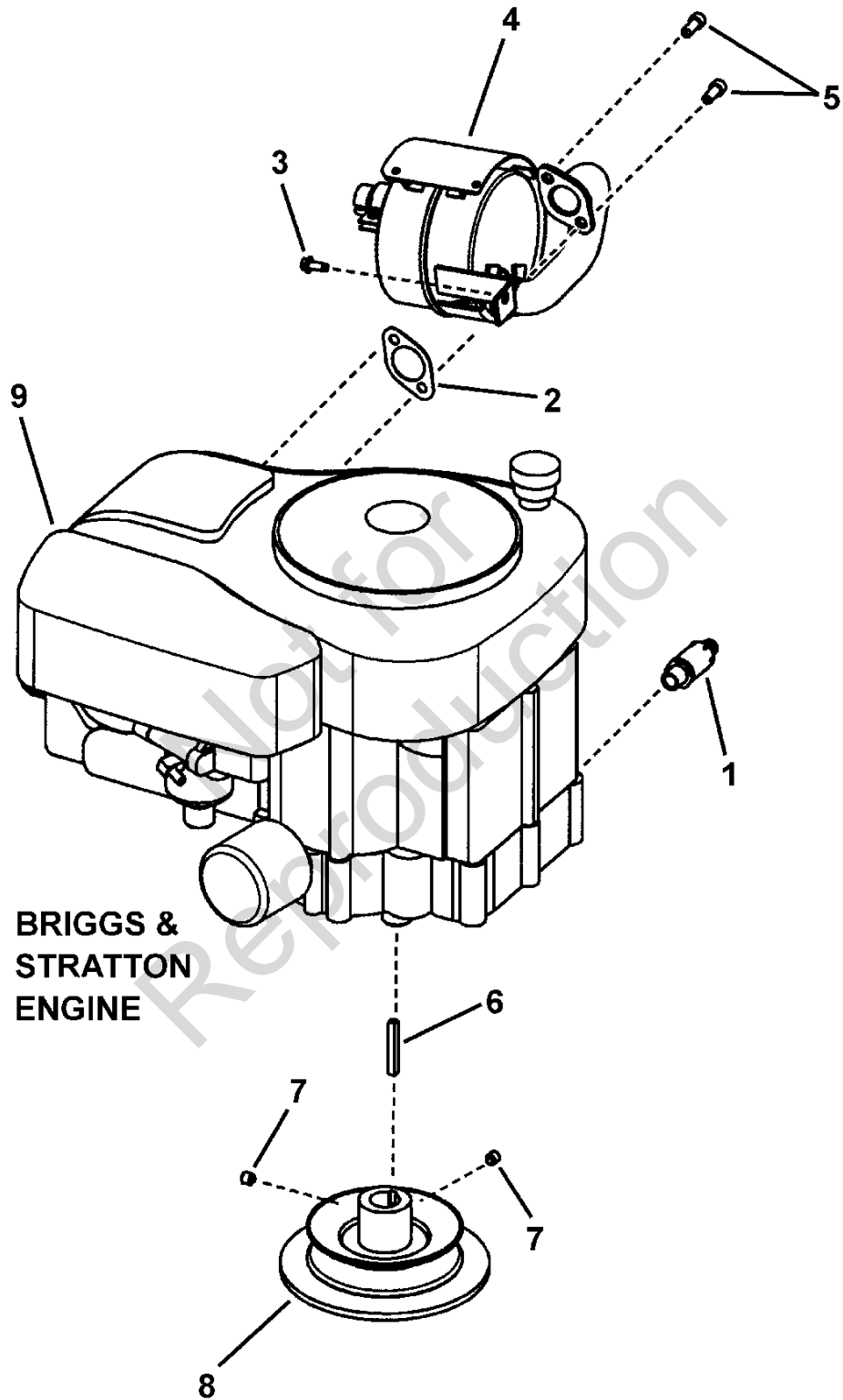
NOTE: \* Assembly is comprised of: Shift Detent Weldment (7041232), Shoulder Rivet (7029022), Reverse Stop (7073218) & item 10.



## Fuel Tank & Seat

Item	Part No	Qty	Description
1	7075071	1	SEAT, Operator (11.58" tall) (shown) (Michigan V-2400 Series)
1	7075376	1	SEAT, Operator (9.30" tall) (Michigan V-2300 Series)
2	7051905	1	ASSEMBLY, Fuel Tank (Includes item 3)
2	7052435	1	ASSEMBLY, Fuel Tank with Gauge (Includes item 3A)
3	7012515	1	CAP, Fuel Tank
3A	7019377	1	CAP, Fuel Tank w/Gauge
4	7029900	4	CLAMP, Fuel Line
5	1734994	2	HOSE, Fuel (1/4" I.D. x 8-1/2" long)
7	7014359	1	FILTER, Fuel (In-Line)
8	7024507	1	VALVE, Fuel Shut-Off (Accessory)
9	7033377	1	BRACKET, Fuel Tank (Rear)
10	7091542	2	SCREW, 5/16-18 x 1/2" Pan Head Self-Tap (Torx #T-40)
11	7023354	1	SWITCH, Seat (NC)
12	7091303	4	BOLT, 5/16-18 x 1" Square Neck Carriage, GR 5 YZ was 7091714
13	7075018	2	BRACKET, Seat
14	7011791	4	RETAINER, 5/16" Bolt
15	7091038	2	BOLT, 5/16-18 x 1/2" Hex Flange Nyloc
16	7090539	2	SCREW, 1/4-20 x 1/2" Hex Washer Self-Tap
17	7090913	2	SCREW, #10-24 x 1/2" Hex Washer Self-Tap (Torx)
18	7033470	1	PLATE, Throttle Control
19	7022751	1	CONTROL, Throttle (23.6" long) (Briggs Engines)
20	7090951	2	NUT, 5/16-18 Large Flange Center Lock
21	7013849	2	SPACER, .33 x .63 x .156
22	7023735	2	KNOB, Fluted, 5/16-18 internal thread (2.15 O.D.)

### Footnotes:



## Engine, Muffler & Drive Disc

---

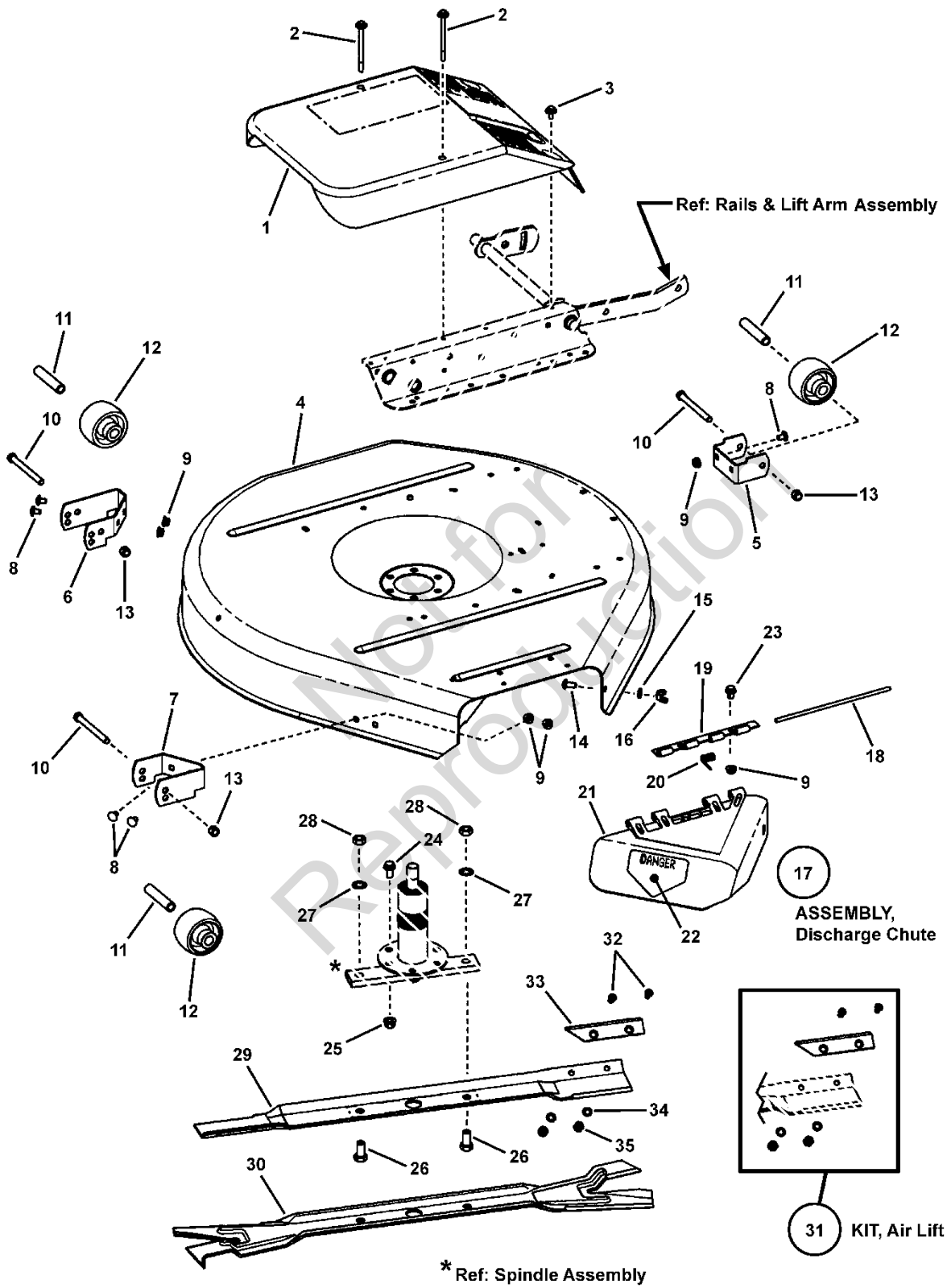
Item	Part No	Qty	Description
1	7027972	1	ASSEMBLY, Oil Valve
2	7015352	1	GASKET, Exhaust
3	7090362	2	SCREW, 1/4-20 x 5/8" Hex Washer Head Self-Tap
4	7074453	1	MUFFLER, w/Heat Shield
5	7091738	2	SET SCREW, 5/16-18 x 3/4" Socket Head, GR8
6	7010210	1	KEY, 1/4" Square x 2" Long
7	7090132	2	SET SCREW, HRSS, 3/8-16 x 3/8"
8	7072658	1	WELDMENT, Drive Disc 5.75" O.D.
9	214707-0113-E1	1	* ENGINE, 10 HP B&S Powerbuilt OHV - E.S. used on 7084882 model
9	21A902-0127-E1	1	* ENGINE, 11 HP B&S Intek OHV w/Avs, Recoil used on 7084873 model
9	21A907-0124-E1	1	* ENGINE, 11 HP B&S Intek OHV E.S. w/Avs used on 7084875 model
9	217802-0113-B1	1	* ENGINE, 11.5 HP B&S I/C w/Avs, Recoil used on 7084941 & 7800103 models
9	217802-0113-B1	1	* ENGINE, 11.5 B&S I/C w/AVS used on 7800648 model
9	219907-0131-B1	1	* ENGINE, 12.5 HP B&S Intek OHV, E.S. used on 7085623 & 7800105 models
9	219977-0174-B1	1	* ENGINE, 12.5 HP B&S w/oil filter used on 7800650 model
9	21A907-0128-E1	1	* ENGINE, 13 HP B&S Intek OHV - E.S. used on 7084877 model
9	21B907-0137-E1	1	* ENGINE, 13.5 HP B&S Intek OHV, E.S. used on 7085625 model
9	21B977-0161-B1	1	* ENGINE, 13.5 HP B&S Intek OHV, E.S. used on 7800697 model

Not for  
Reproduction

### Footnotes:

NOTE: \* Purchase engine parts from engine manufacture dealer.

30" Cutting Deck & Deflector





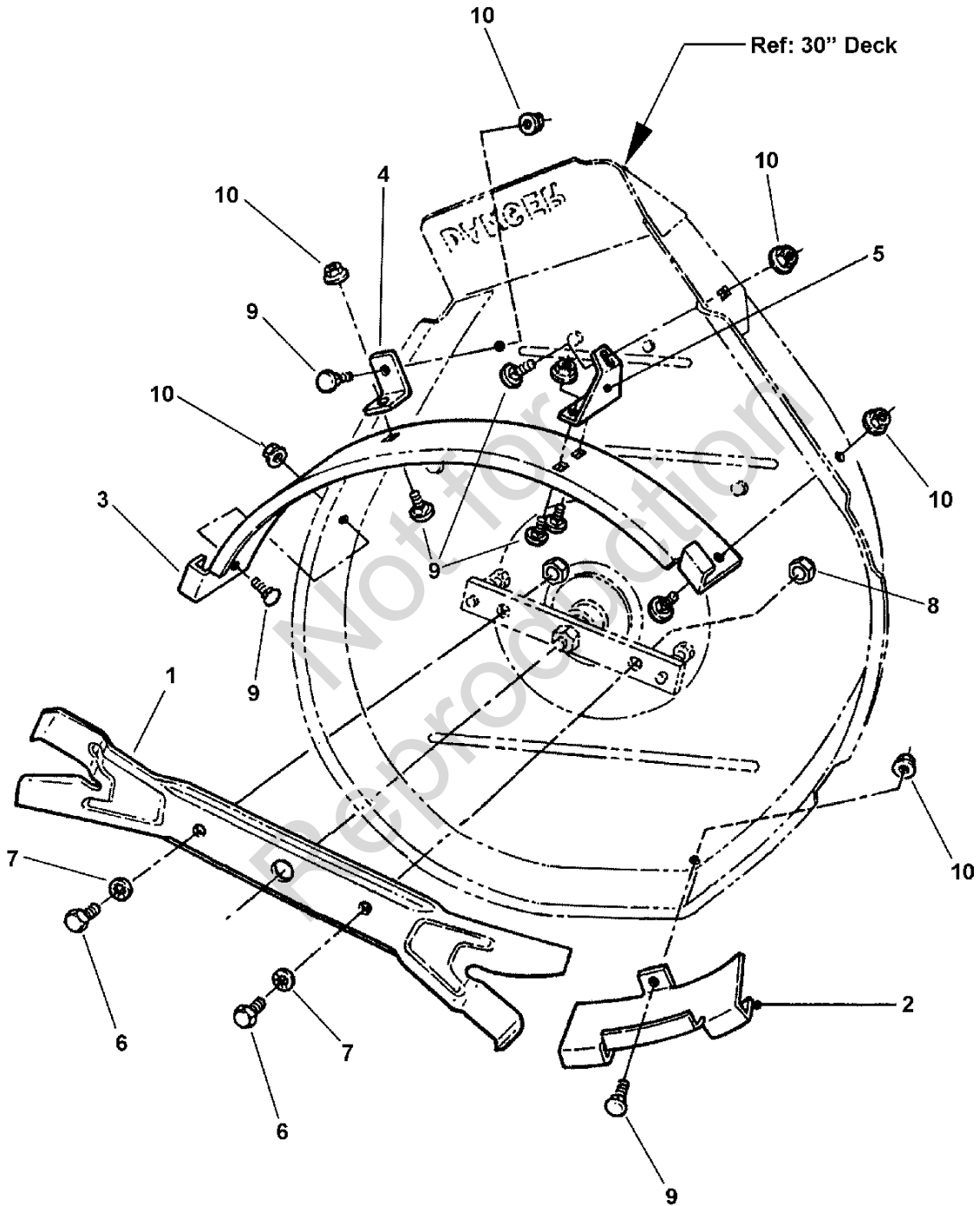
## 30" Cutting Deck & Deflector

Item	Part No	Qty	Description
1	7073434	1	COVER, Spindle
2	7091015	2	SCREW, 1/4-20 x 3-1/2" Hex Head w/Free Spinning Washer
3	7091016	4	SCREW, 1/4-20 x 5/8" Hex Head w/Free Spinning Washer
4	7061971	1	DECK, 30" Replacement (Painted deck with decals)
5	7034024	1	* BRACKET, Front Anti-Scalp
6	7034026	1	* BRACKET, Anti-Scalp, 30" L.H. Rear
7	7034025	1	* BRACKET, Anti-Scalp, 30" R.H. Rear
8	7090731	6	* BOLT, 5/16-18 x 1/2" Short Neck Carriage, GR 5
9	7091070	6	* NUT, 5/16-18 Hex Flange Lock, GR 5
10	7090859	3	* SCREW, 3/8-24 x 3-3/4" Hex Head Cap, GR 5
11	7015272	3	* SPACER, 3"
12	7019190	3	* WHEEL, Gage
13	7090289	3	* NUT, 3/8-24 Hex Center Lock
14	7091508	2	BOLT, 5/16-18 x 3/4" Short Neck Carriage, GR 5
15	7091296	2	WASHER, 5/16" Flat
16	7090492	2	NUT, 5/16-18 Wing
17	7052553	1	ASS'Y, Discharge Chute (incl. items 18 thru 22)
18	7026846	1	PIN, Hinge 6mm x 8.875
19	7024569	1	HINGE HALF
20	7016428	1	SPRING, Torsion, Deflector
21	7025047	1	DEFLECTOR, 30"
22	7013010	1	DECAL, Danger (Cut Finger)
23	7090606	3	BOLT, 5/16-18 x 5/8" Hex Flange Lock, GR 5
24	7090612	3	BOLT, 3/8-16 x 3/4" Hex Flange Lock
25	7090613	9	NUT, 3/8-16 Hex Flange Lock
26	7090491	2	SCREW, 1/2-20 x 1-1/4" Hex Head Cap, GR 5
27	7090509	2	WASHER, 1/2" Internal Tooth Lock
28	7091939	2	NUT, 1/2-20 Hex, GR 5
29	7018069	1	BLADE, 30" LC
30	7026565	1	BLADE, Ninja, 30"
31	7060735	1	KIT, Air Lift (Includes items 32 thru 35) Instruction Sheet #7015229
32	7090228	4	SCREW, 5/16-24 x 11/16" Oval Head Machine
33	7031724	2	AIR-LIFT, (30" Deck)
34	7090391	4	WASHER, 5/16" Internal Tooth Lock
35	7091297	4	NUT, 5/16-24

### Footnotes:

Note: \* These parts comprise # 7061157 (Gage Wheel Kit for 30" Snapper Decks)

30" Deck Recycling Components



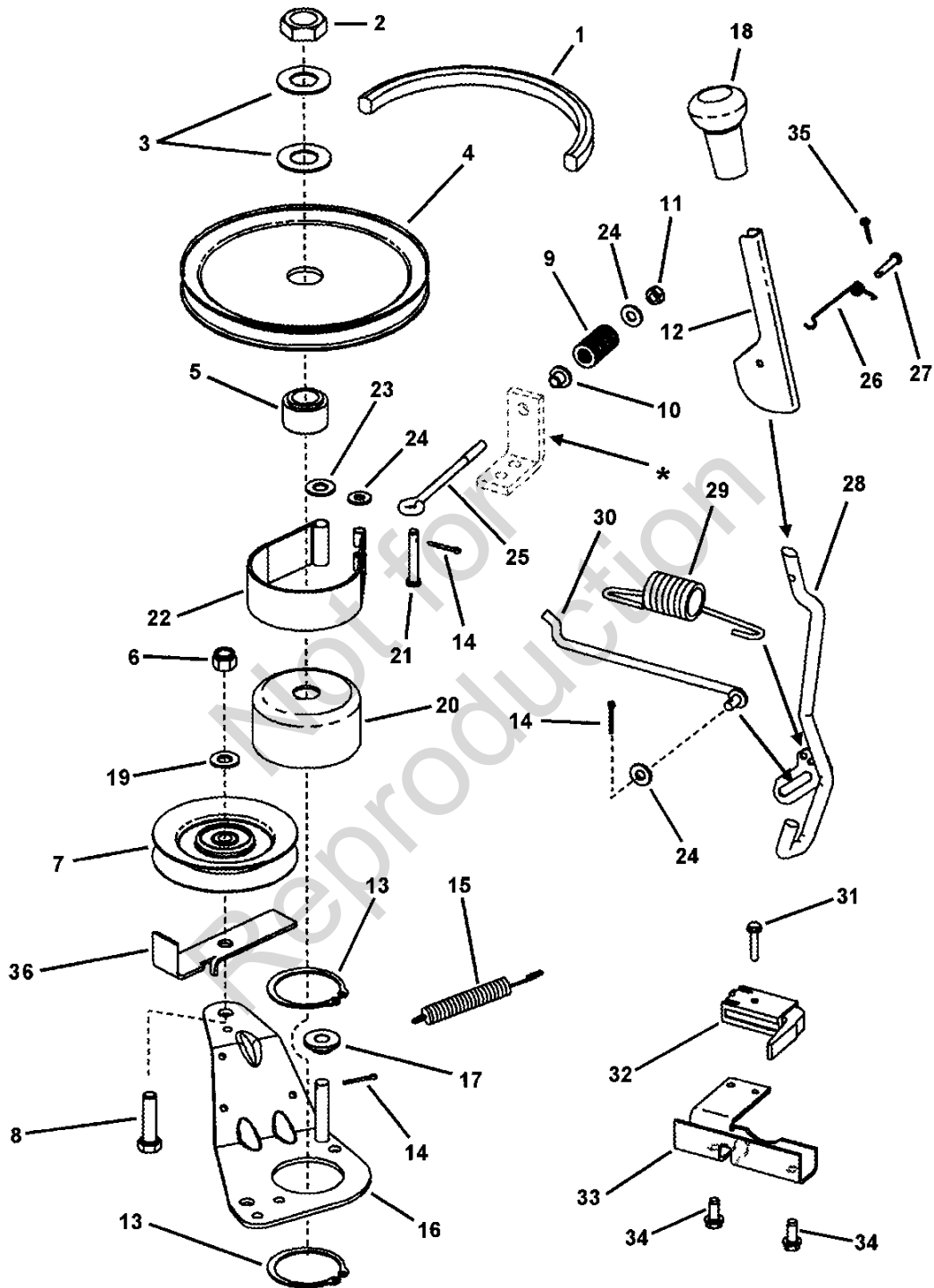
### 30" Deck Recycling Components

---

Item	Part No	Qty	Description
1	7026565	1	BLADE, Ninja, 30" Ref: 30" Deck Recycling Kit (p/n 7061254)
2	7033996	1	BAFFLE, 30" Deck (small)
3	7033999	1	BAFFLE, 30" Deck (large)
4	7033998	1	ANGLE, Brace, 30" Deck
5	7033997	1	ANGLE, Brace, 30" Deck
6	7090491	2	SCREW, 1/2-20 x 1-1/4" Hex Head Cap, GR 5
7	7090509	2	WASHER, 1/2" Internal Tooth Lock
8	7091939	2	NUT, 1/2-20 Hex, GR 5
9	1091026	8	BOLT, 5/16-18 x 5/8" Short Square Neck Carriage, GR 5
10	7091070	8	NUT, 5/16-18 Hex Flange Lock, GR 5

Not for  
Reproduction

**Footnotes:**



\* Ref: RAILS, LIFT ARMS, CAM LIFT page, item # 38

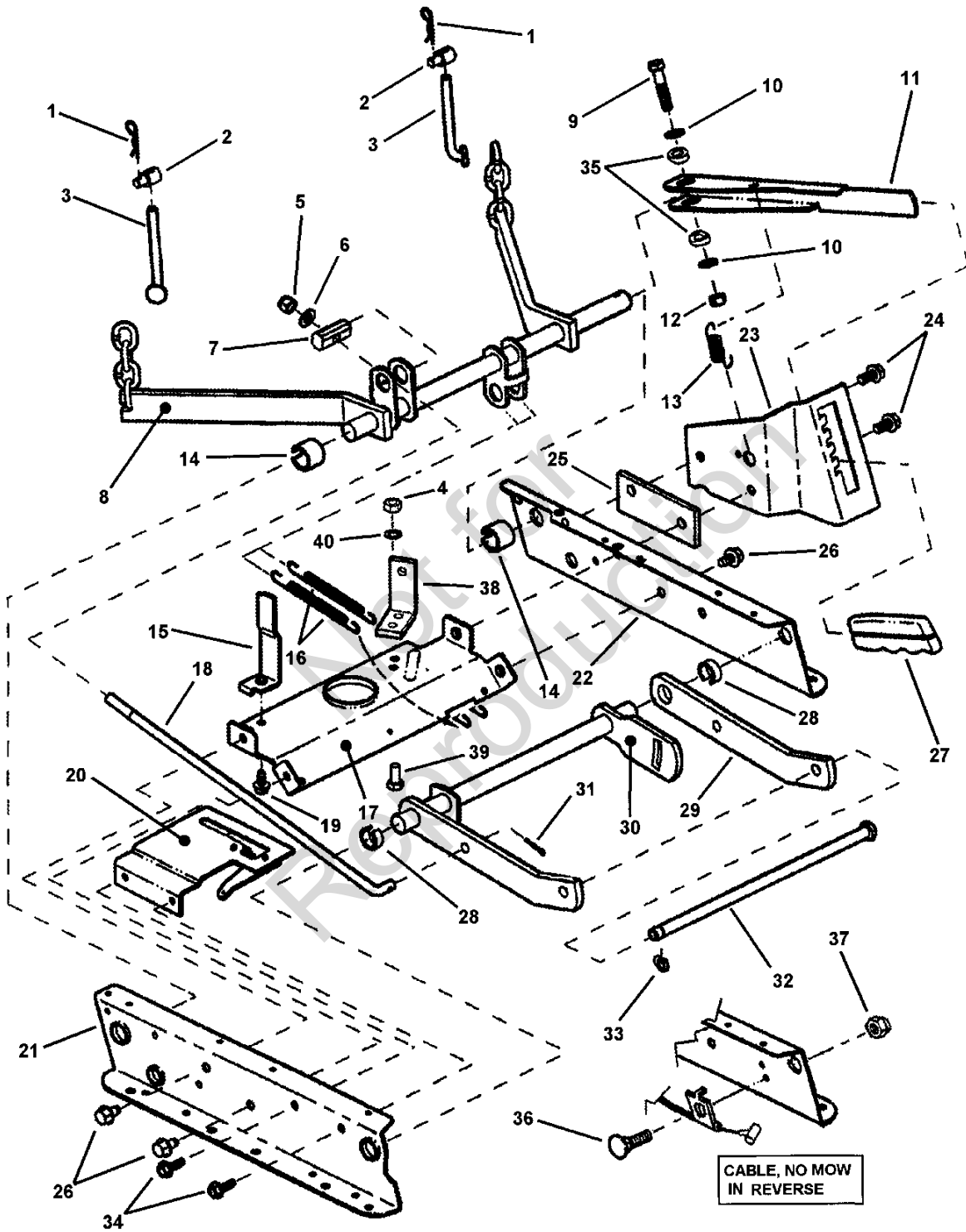
## Belt, Brake & Interlock

Item	Part No	Qty	Description
1	7022252	1	* BELT, Drive (72.75" AA Section)
2	7074467	1	NUT, 3/4-16 Hex Jam, GR 8
3	7032027	2	WASHER, 49/64" I.D. x 1-1/2" O.D. Flat
4	7018781	1	PULLEY, Deck
5	7015290	1	PULLEY, Hub (Powdered Metal)
6	7091299	1	NUT, 3/8-16 Hex Nyloc
7	7029624	1	IDLER PULLEY, 4" Idler
8	7091497	1	SCREW, 3/8-16 x 1-1/2" Hex Head Cap, GR 5
9	7046782	1	SPRING, Rectangular Wire Die, Blue
10	7014343	1	BUSHING, Flange .27 x .35 x .4
11	7090761	1	NUT, 1/4-20 Hex Top Lock
12	7046567	1	HANDLE, Blade Engagement (Flip)
13	7010740	2	RING, 2" External Retaining
14	7090037	3	PIN, 3/32 x 3/4" Cotter
15	7036521	1	SPRING, Extension, 4" x 1/2" Diameter
16	7047787	1	WELDMENT, Idler Arm
17	7014314	1	SPACER, .39 x 1.0 x .31 Nylon
18	7046874	1	GRIP, Handle
19	7091514	1	WASHER, 3/8" Flat
20	7035378	1	DRUM, Brake Spindle
21	7014304	1	PIN, 1/4 x 1-5/8" Clevis
22	7034852	1	BAND, Brake (Formed)
23	7090122	2	WASHER, 3/8" Flat
24	7090055	4	WASHER, 1/4" Flat
25	7046677	1	EYE-BOLT, 1/4-20 x 4"
26	7046648	1	SPRING, Torsion, Flip Handle
27	7091974	1	PIN, 3/16 x 1" Clevis
28	7059254	1	WELDMENT, Blade Engagement Handle
29	7014168	1	SPRING, Blade Handle
30	7012055	1	ROD, Idler Control
31	7090299	1	SCREW, #10-32 x 1" Hex Washer Head Self-Tap
32	7018524	1	SWITCH, Deck Interlock (NO)
33	7038021	1	MOUNT, Handle/Switch
34	7090362	2	SCREW, 1/4-20 x 5/8" Hex Washer Head Self-Tap
35	7090555	1	PIN, 3/32 x 1/2" Cotter
36	7032111	1	RESTRICTOR, Belt

### Footnotes:

Note: \* Belt part number is printed on belt.

# Rails, Lift Arms & Cam Lift

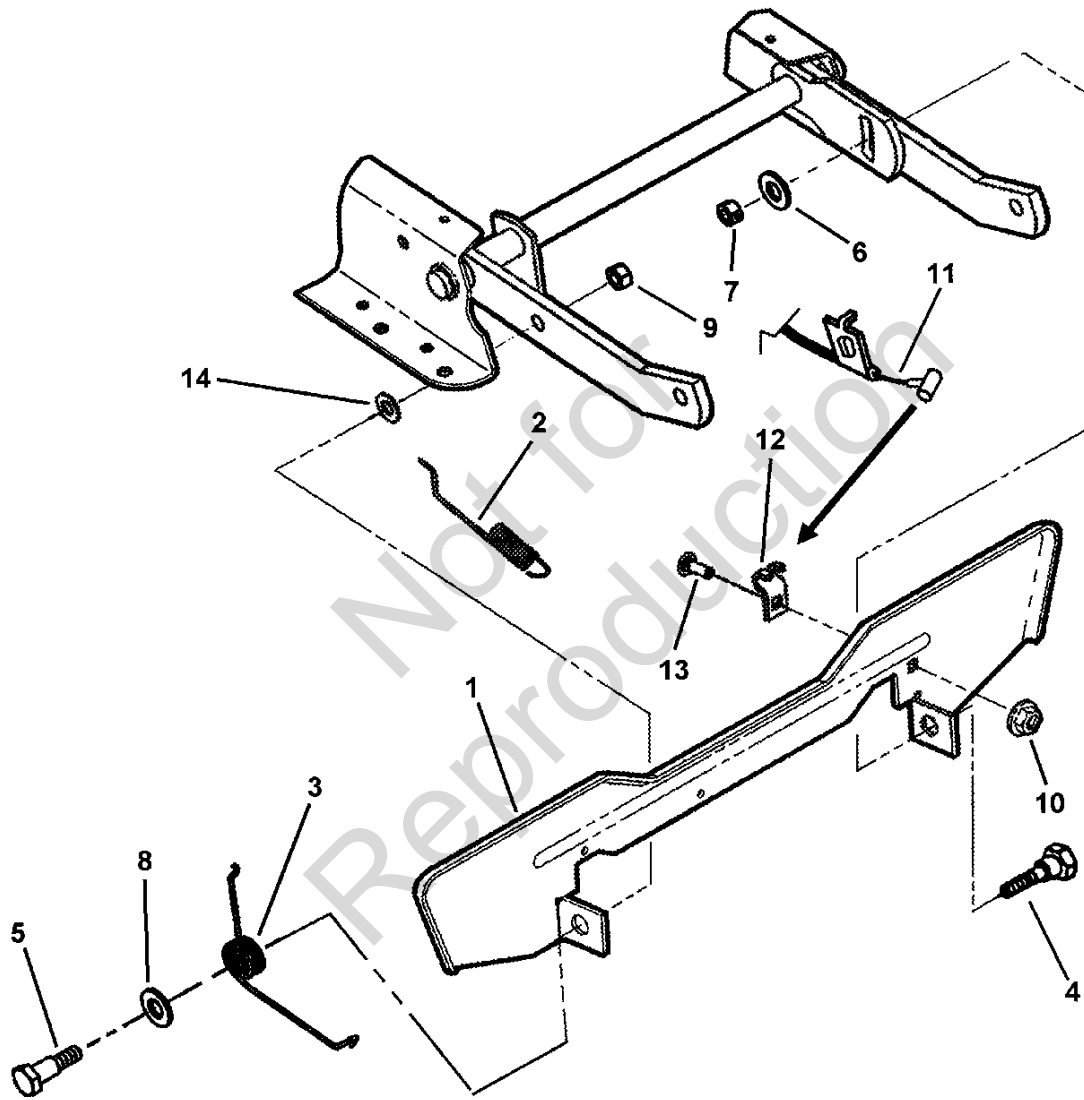


## Rails, Lift Arms & Cam Lift

Item	Part No	Qty	Description
1	7091503	2	HAIR PIN, 3/32 x 1-1/2"
2	7028200	2	SWIVEL, Adjustable
3	7028728	2	ADJUSTER, Chain (5/16-18 thread)
4	7091297	2	NUT, 5/16-24 Hex, GR 5
5	7090854	1	NUT, 3/8-24 Hex Nyloc
6	7090122	1	WASHER, 3/8" Flat
7	7034213	1	PIVOT, Leveling
8	7059324	1	WELDMENT, Rear Lift Arm
9	7090483	1	SCREW, 3/8-24 x 1-3/4" Hex Head Cap, GR 5
10	7032030	2	WASHER, 13/32 x 1-1/4" Flat
11	7046155	1	LEVER, Height of Cut
12	7090289	1	NUT, 3/8-24 Hex Center Lock
13	7046159	1	SPRING, Lever
14	7012068	2	RING, Rear Lift Arm (Blue)
15	7031855	1	GUIDE, Belt
16	7046163	2	SPRING, Assist
17	7031838	1	BRACE, Top
18	7016122	1	ROD, Leveling (3/4-24 thread)
19	7090361	1	SCREW, 5/16-18 x 5/8" Hex Washer Self-Tap
20	7058969	1	ASSEMBLY, Clutch Plate
21	7043848	1	RAIL, Deck Lift, Right Hand
22	7073269	1	RAIL, Deck Lift, Left Hand
23	7046157	1	DETENT, Height Adjust
24	7090324	2	SCREW, 3/8-16 x 1" Hex Washer Self-Tap
25	7046217	1	SPACER, Detent
26	7091198	3	SCREW, 3/8-16 x 5/8" Hex Washer Self-Tap
27	7026420	1	GRIP, Height Adjustment Lever
28	7012067	2	RING, Front Lift Arm (Red)
29	7032997	1	ARM, Front Lift
30	7058041	1	WELDMENT, Front Lift Arm
31	7090365	1	PIN, 1/8 x 3/4" Cotter
32	7022717	1	ROD, Deck Support (Front Lift Arm to Front End)
33	7017847	1	RING, .438 External Retaining
34	7090858	2	SCREW, 5/16-18 x 1/2" Hex Washer Self-Tap
35	7071920	2	SPACER, Deck Lift
36	7092051	1	BOLT, #10-24 x 1" Flat Head Square Neck
37	7091290	1	NUT, #10-24 Hex Nyloc
38	7032243	1	ANCHOR
39	7090233	2	SCREW, 5/16-24 x 3/4" Hex Head Cap, GR 5
40	7090391	2	WASHER, 5/16" Internal Tooth Lock

### Footnotes:

# Blade Stop Pedals





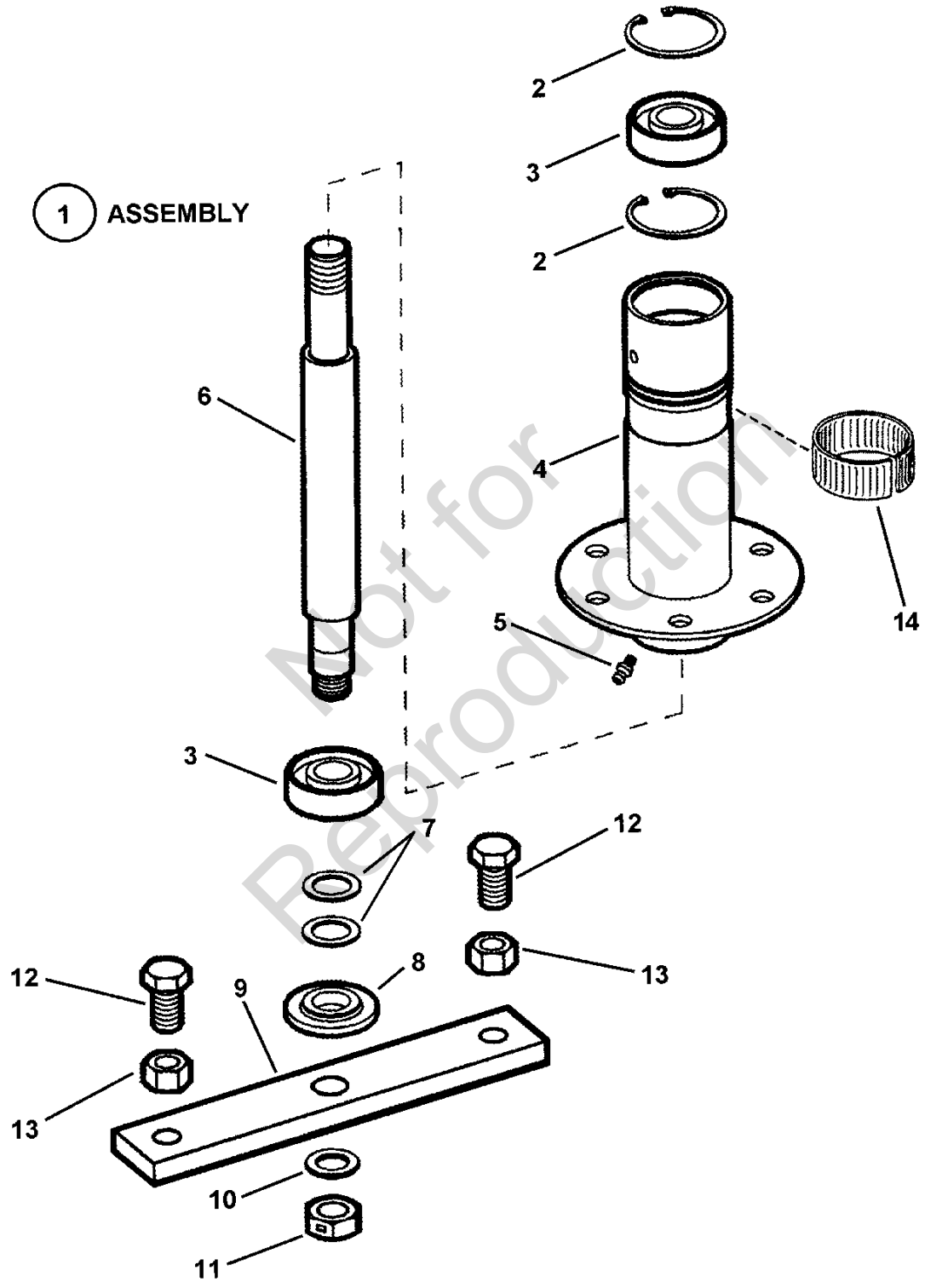
## Blade Stop Pedals

---

Item	Part No	Qty	Description
1	7073267	1	FOOT PEDAL, Blade Stop Control
2	7074649	1	SPRING, Latch, .072 DIA.
3	7015448	1	SPRING, Pedal
4	7015495	1	SHOULDER BOLT, 3/8-24 w/Nylon Patch, GR 5
5	7015446	1	SHOULDER BOLT, 3/8-24 x 9/16"
6	7032030	1	WASHER, 13/32 x 1-1/4" Flat
7	7090155	1	NUT, 3/8-24 Hex, GR 5 or B
8	7090250	2	WASHER, 1/2" Flat SAE
9	7090289	1	NUT, 3/8-24 Hex Center Lock
10	7091584	1	NUT, 1/4-20 Hex Flange Lock, GR 5
11	7073216	1	CABLE ASSEMBLY, No Reverse in Mow
12	7073217	1	CLIP, Cable
13	7091776	1	BOLT, 1/4-20 x 3/4" Square Neck Carriage, GR 5
14	7090122	1	WASHER, 3/8" Flat

Not for  
Reproduction

### Footnotes:



## Spindle

---

Item	Part No	Qty	Description
1	7058049	1	ASSEMBLY, Spindle
2	7012491	2	RING, 1.85" Internal Retaining
3	7013313	2	BEARING, Spindle
4	7050696	1	WELDMENT, Spindle Housing (includes item #5)
5	7010817	1	LUBE FITTING, 3/16" Press-In
6	7044785	1	SPINDLE, Rider (10.327" overall length)
7	7010935	1	WASHER, .77 x 1.13 x .06 Flat
8	7014407	1	WASHER, Spindle
9	7031184	1	HOLDER, Blade (25" decks)
10	7044782	1	SPACER, Blade Centering
11	7090356	1	NUT, 5/8-18 Hex Center Lock Jam
12	7090491	2	SCREW, 1/2-20 x 1-1/4" Hex Head Cap, GR 5
13	7091939	2	NUT, 1/2-20 Hex, GR 5
14	7012670	1	RING, Tolerance

Not for  
Reproduction

### Footnotes:

**1 SNAPPER**

**2**

**3 TO STAND ON END: CLOSE CAP VENT AND REMOVE TANK IF FUEL IS OVER 3/4 FULL.**

**4 DANGER KEEP HANDS and FEET AWAY**

**5 30 INCH**

**6**

**7**

**8**

**9**

**10**

**11**

**12**

**13**

**14**

**15**

**16**

**BEFORE STARTING ENGINE OR DISMOUNTING MOWER**

- PRESS CLUTCH/BRAKE PEDAL FULLY
- ENGAGE PARKING BRAKE
- BLADE LEVER MUST BE "OFF"
- MOVE SHIFT LEVER TO "N" NEUTRAL

**WARNING**

**AVOID SERIOUS INJURY OR DEATH**

- READ ALL MANUALS AND INSTRUCTIONS FURNISHED WITH THE MACHINE.
- MAKE SURE THAT SHIELDS, GUARDS, SWITCHES, AND OTHER SAFETY DEVICES ARE IN PROPER POSITION AND FUNCTIONAL.
- CLEAR MOWING AREA OF WIRE, ROCKS AND OTHER OBJECTS THAT COULD CAUSE INJURY IF THROWN BY BLADE.
- DO NOT ALLOW CHILDREN (PRE-TEENAGERS) ON MACHINE (EVEN WITH BLADE OFF) OR IN YARD WHEN MOWING. KEEP OTHERS SAFELY AWAY FROM THE OPERATING AREA.
- LOOK DOWN AND BEHIND MACHINE BEFORE AND WHILE BACKING.
- DO NOT MOW ON SLOPES, OR IN ANY AREA WHERE STABILITY OR TRACTION IS IN DOUBT. IF YOU CAN NOT BACK UP A SLOPE, DO NOT MOW ON IT.
- DO NOT MOW ACROSS FACE OF SLOPES. REDUCE SPEED AND AVOID SHARP TURNS ON SLOPES.
- AVOID UP HILL STARTS. IF THE MACHINE IS STOPPED GOING UP A SLOPE, TURN BLADE OFF AND BACK DOWN THE SLOPE.
- STOP BLADE BEFORE PUTTING FOOT ON GROUND OR LEAVING SEAT.
- AVOID SUDDEN TURNS.

**MOWER BELTS AND BLADES**

28" MOWER	
MOWER BELT	22252
MOWER BLADE	33635
30" MOWER	
MOWER BELT	22252
MOWER BLADE	18069
33" MOWER	
MOWER BELT	43844
MOWER BLADE	34168
42" MOWER	
MOWER BELT	28784
MOWER BLADE	26591

**USE ONLY GENUINE SNAPPER REPLACEMENT PARTS TO ASSURE THAT ORIGINAL STANDARDS ARE MAINTAINED.**

75667

**NOTICE**

Remove battery before standing mower on end for more than 2 hours.

759119

**WARNING**

**GUARD OR ENTIRE GRASS CATCHER MUST BE INSTALLED BEFORE OPERATING MOWER**

7046720

**CAUTION**

**Explosion hazard**

- Positive (+) battery post must be to rear to prevent arcing.
- Use only Snapper replacement battery to avoid acid damage.

7401104

**CAUTION**

**Fire hazard**

Before standing unit on end

- Close cap vent
- Remove tank if over 3/4 full.

728107

**DANGER**

**Amputation and thrown objects hazard**

- Keep hands and feet away from deck.
- Do not operate mower unless discharge chute or entire grass catcher is in its proper place.

70419

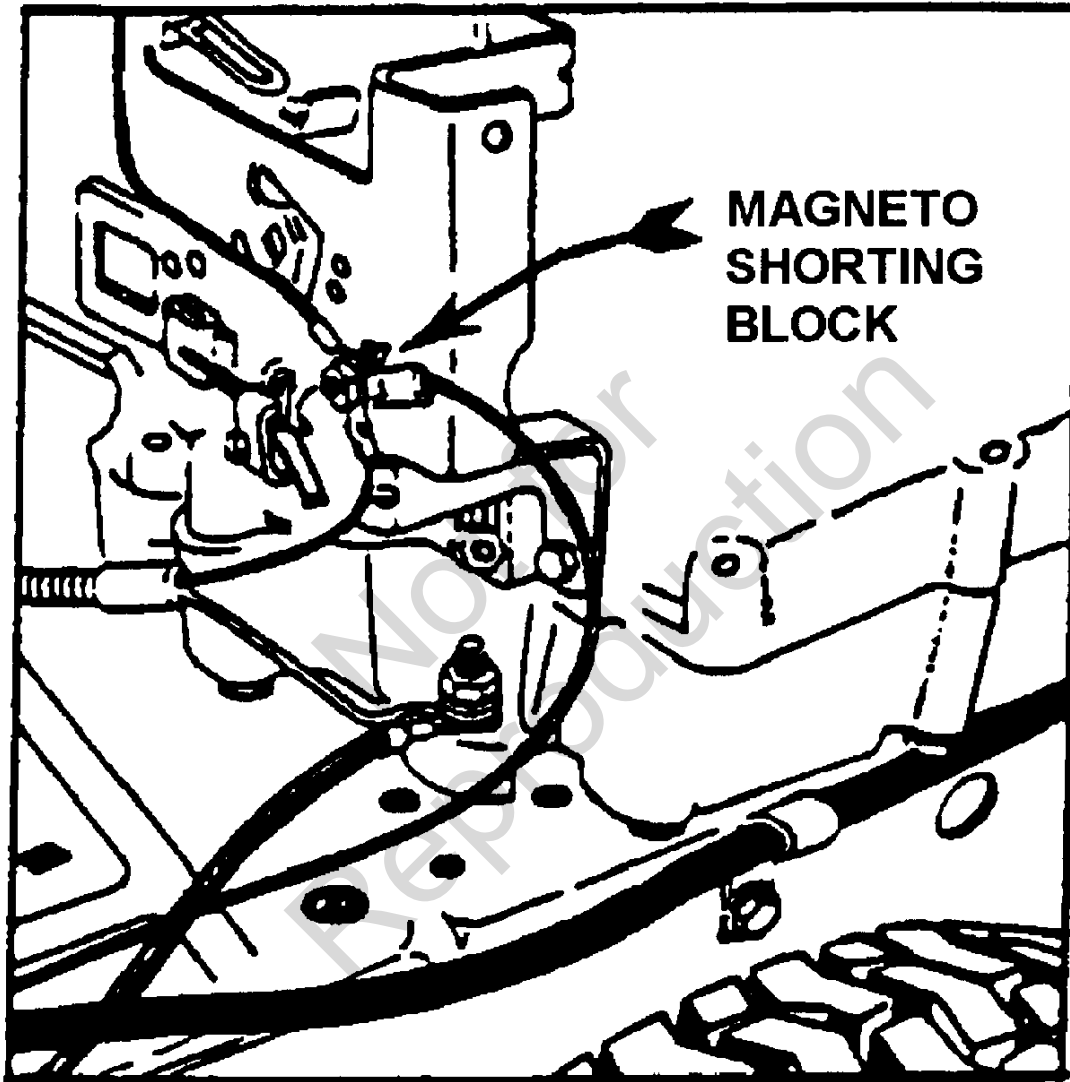
## Decals

---

Item	Part No	Qty	Description
1	7071916	1	DECAL, SNAPPER
2	7046218	1	DECAL, Height of Cut
3	7029113	1	DECAL, Caution, Fuel Leakage (English)
4	7013010	1	DECAL, Danger, Cut Finger
5	7023997	1	DECAL, 30" Deck
6	7074481	1	DECAL, No Mow in Reverse
7	7101111	1	DECAL, Warning, Safety Panel
8	7046440	1	DECAL, Safety Instructions
9	7075607	1	DECAL, Service Parts, RER Domestic
10	7101112	1	DECAL, Danger, Safety Panel
11	7101107	1	DECAL, Caution, Fuel
12	7101110	2	DECAL, Danger, Deck
13	7046720	1	DECAL, Chute/Deflector
14	7101109	1	DECAL, Battery
15	7101108	1	DECAL, Caution, Battery
16	7015691	1	DECAL, Battery Caution

Not for  
Reproduction

### Footnotes:



## Electrical System (Briggs magneto Ground)

---

Item	Part No	Qty	Description
------	---------	-----	-------------

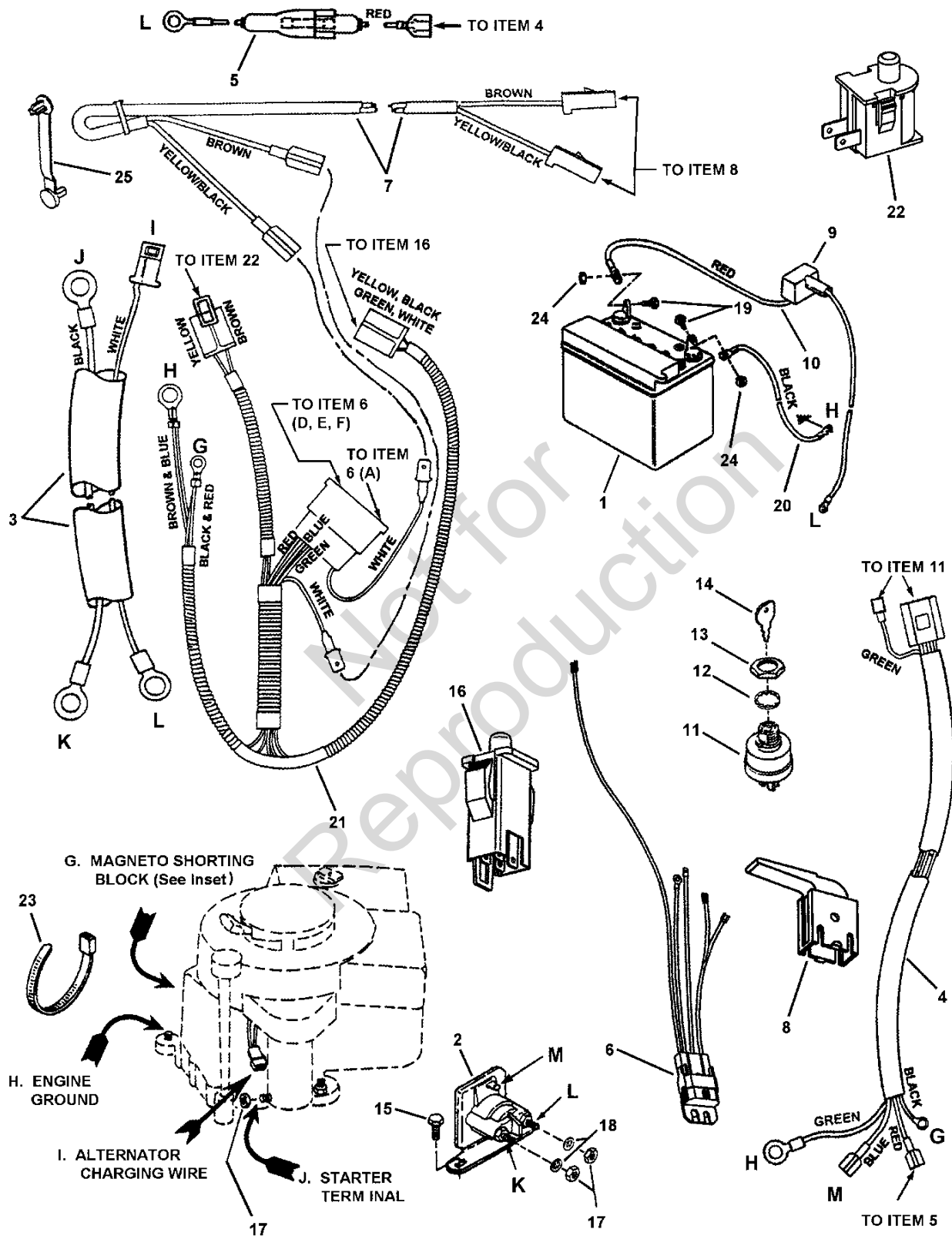
---

View shows engine magneto ground connection on throttle plate.

Not for  
Reproduction

Footnotes:

# Electrical System (10, 11 & 12.5HP Briggs)



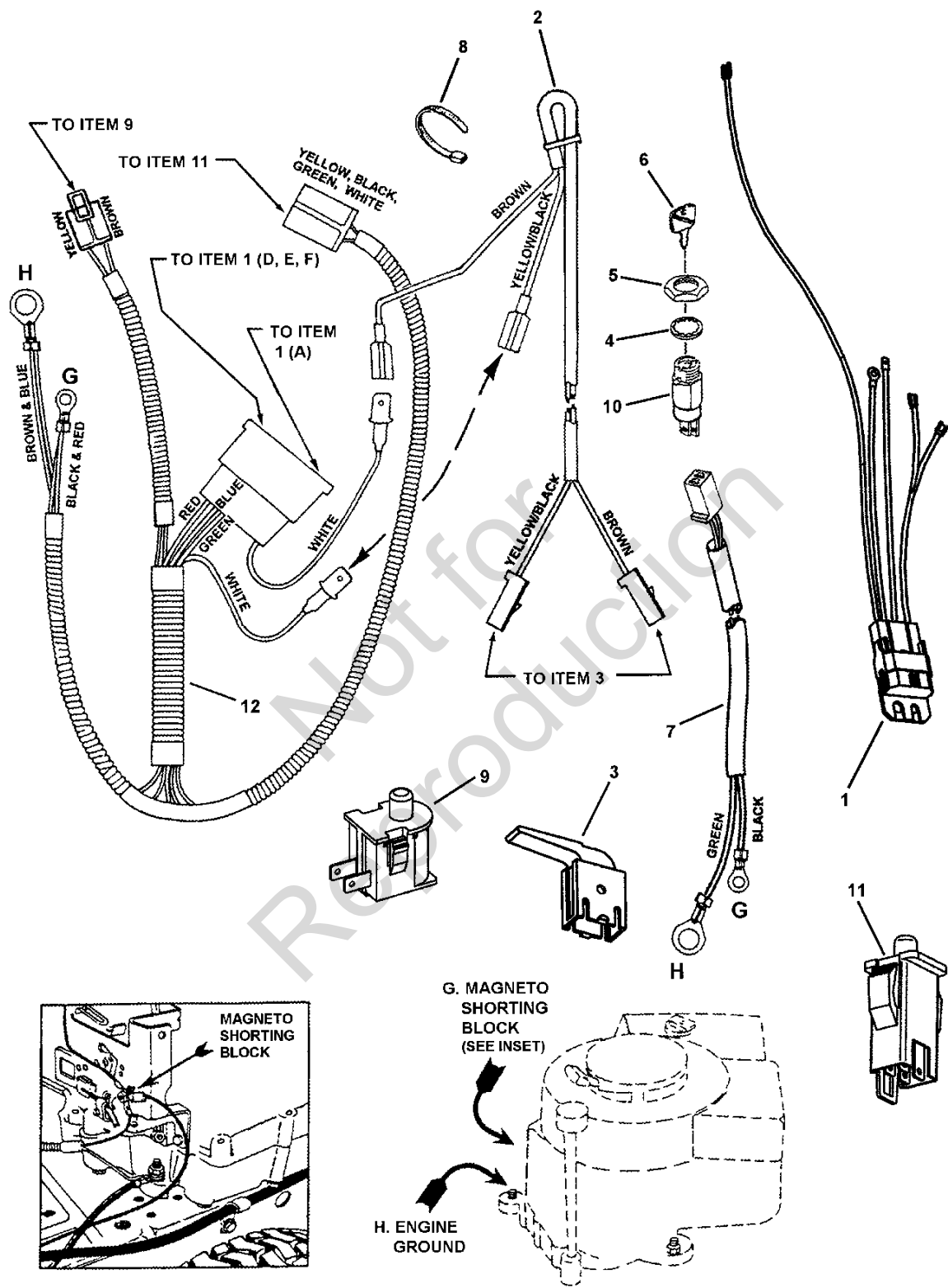


## Electrical System (10, 11 & 12.5HP Briggs)

Item	Part No	Qty	Description
1	7060753	1	KIT, Battery, 12V, U-1-7RS, 220CCA Dry Charge Snapper No Spill
2	7075671	1	SOLENOID, Super-Trombetta
3	7022788	1	HARNESS, Starter Wiring (Briggs Engines)
4	7073715	1	HARNESS, Ignition Wiring (Briggs Engines)
5	7016168	1	HOLDER, Fuse (Includes Fuse)
	7016169	1	FUSE, 10 Amp (Not Shown)
6	7028606	1	INTERLOCK MODULE, Briggs Ref: 7063064 (KIT, Briggs RER Module)
7	7028386	1	HARNESS, (Deck Interlock Wiring)
8	7018524	1	SWITCH, Deck Interlock (NO)
9	7012444	1	COVER, Battery Cable
10	7019326	1	WIRE, Positive (Red, 17" long)
11	7073797	1	SWITCH, Ignition, 4 Terminal, Indak
12	7090880	1	WASHER, 5/8" Internal Tooth Lock
13	7015438	1	NUT, 5/8-32 Hex
14	1737836	1	KEYS, Blister Pk (KIDS+MWRS DON'T MIX) English/Spanish (set of two, one coated) (or 7011138)
15	7090539	3	SCREW, 1/4-20 x 1/2" Hex Washer Self-Tap
16	7022886	1	SWITCH, Operator Presence Control (OPC) Traction (NC/NO)
17	7091576	5	NUT, 1/4-20 Hex, GR 5 or B
18	7090053	2	WASHER, 1/4" Internal Tooth Lock
19	7027172	2	SCREW, 1/4-20 x 5/8" Hex Head Cap GR 5
20	7028027	1	WIRE, Negative, Black (15" long)
21	7028607	1	HARNESS, Operator Presence Control (OPC) Wire
22	7023354	1	SWITCH, Seat (NC)
23	7012080	2	CABLE TIE, 7"
24	7090372	2	NUT, 1/4-20 Hex Center Lock, GR 5 or B
25	7014451	1	CABLE TIE, 7"

### Footnotes:

**Electrical System (11 & 11.5HP Briggs Recoil Start)**



## Electrical System (11 & 11.5HP Briggs Recoil Start)

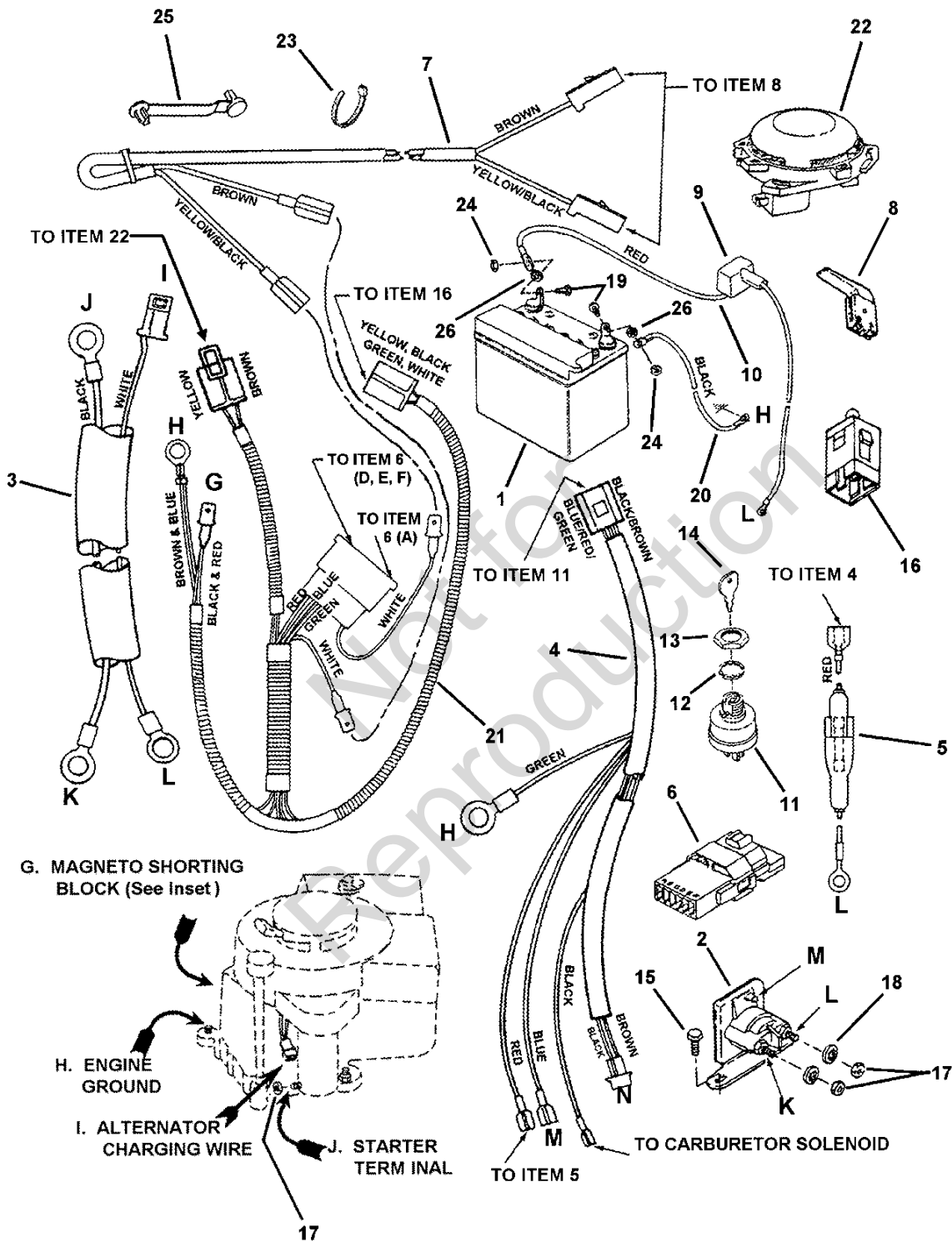
---

Item	Part No	Qty	Description
1	7028606	1	INTERLOCK MODULE, Briggs Ref: 7063064 (KIT, Briggs RER Module)
2	7028386	1	HARNESS, (Deck Interlock Wiring)
3	7018524	1	SWITCH, Deck Interlock (NO)
4	7090880	1	WASHER, 5/8" Internal Tooth Lock
5	7015438	1	NUT, 5/8-32 Hex
6	1737836	1	KEYS, Blister Pk (KIDS+MWRS DON'T MIX) English/Spanish (set of two, one coated) (or 7011138)
7	7073714	1	HARNESS, Ground (Recoil Start)
8	7012080	3	CABLE TIE, 7"
9	7023354	1	SWITCH, Seat (NC)
10	7017817	1	SWITCH, Ignition (2-pole) (Recoil Start)
11	7022886	1	SWITCH, Operator Presence Control (OPC) Traction (NC/NO)
12	7028607	1	HARNESS, Operator Presence Control (OPC) Wire

Not for  
Reproduction

### Footnotes:

# Electrical System (13 & 13.5HP Briggs)

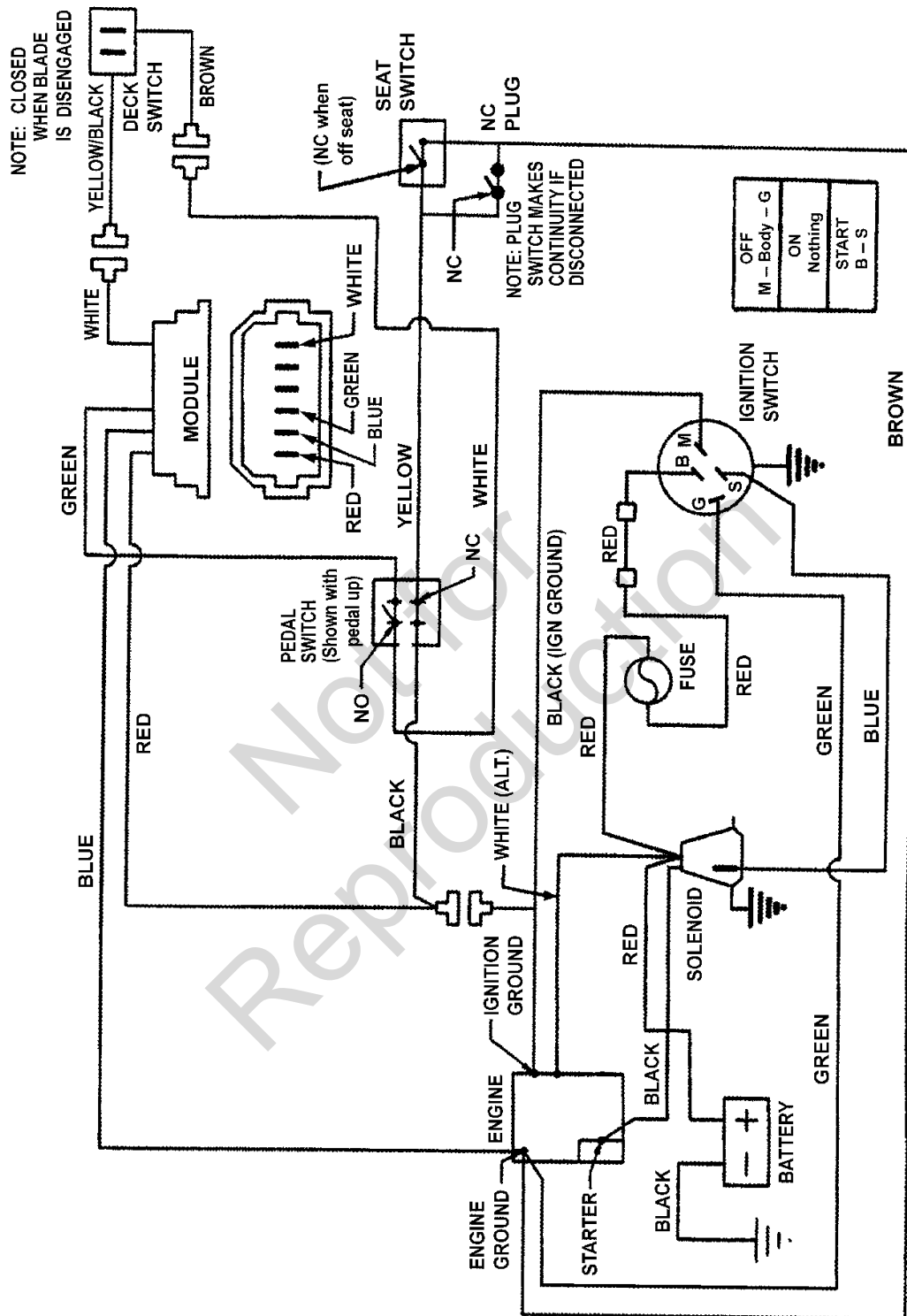


## Electrical System (13 & 13.5HP Briggs)

Item	Part No	Qty	Description
1	7060753	1	KIT, Battery, 12V, U-1-7RS, 220CCA Dry Charge Snapper No Spill
2	7075671	1	SOLENOID, Super-Trombetta
3	7022788	1	HARNESS, Starter Wiring (Briggs Engines)
4	7074406	1	HARNESS, Ignition Wiring (Briggs)
5	7016168	1	HOLDER, Fuse (Includes Fuse)
	7016169	1	FUSE, 10 Amp (Not Shown)
6	7028606	1	INTERLOCK MODULE, Briggs Ref: 7063064 (KIT, Briggs RER Module)
7	7028386	1	HARNESS, (Deck Interlock Wiring)
8	7018524	1	SWITCH, Deck Interlock (NO)
9	7012444	1	COVER, Battery Cable
10	7019326	1	WIRE, Positive (Red, 17" long)
11	7026343	1	SWITCH, Ignition-Afterfire Solenoid
12	7090880	1	WASHER, 5/8" Internal Tooth Lock
13	7015438	1	NUT, 5/8-32 Hex
14	1737836	1	KEYS, Blister Pk (KIDS+MWRS DON'T MIX) English/Spanish (set of two, one coated) (or 7011138)
15	7090539	3	SCREW, 1/4-20 x 1/2" Hex Washer Self-Tap
16	7022886	1	SWITCH, Operator Presence Control (OPC) Traction (NC/NO)
17	7091576	8	NUT, 1/4-20 Hex, GR 5 or B
18	7090053	2	WASHER, 1/4" Internal Tooth Lock
19	7027172	2	SCREW, 1/4-20 x 5/8" Hex Head Cap GR 5
20	7028027	1	WIRE, Negative, Black (15" long)
21	7028675	1	HARNESS WIRE, Operator Presence Control (OPC)
22	7023354	1	SWITCH, Seat (NC)
23	7012080	2	CABLE TIE, 7"
24	7090372	2	NUT, 1/4-20 Hex Center Lock, GR 5 or B
25	7014451	1	CABLE TIE, 7"
26	7012485	2	RETAINER, 1/4" Bolt

### Footnotes:

Wiring Schematic (10, 11 & 12.5HP Briggs)



WIRING SCHEMATIC FOR 10 & 12.5 HP Briggs Engines

**Wiring Schematic (10, 11 & 12.5HP Briggs)**

---

<b>Item</b>	<b>Part No</b>	<b>Qty</b>	<b>Description</b>
-------------	----------------	------------	--------------------

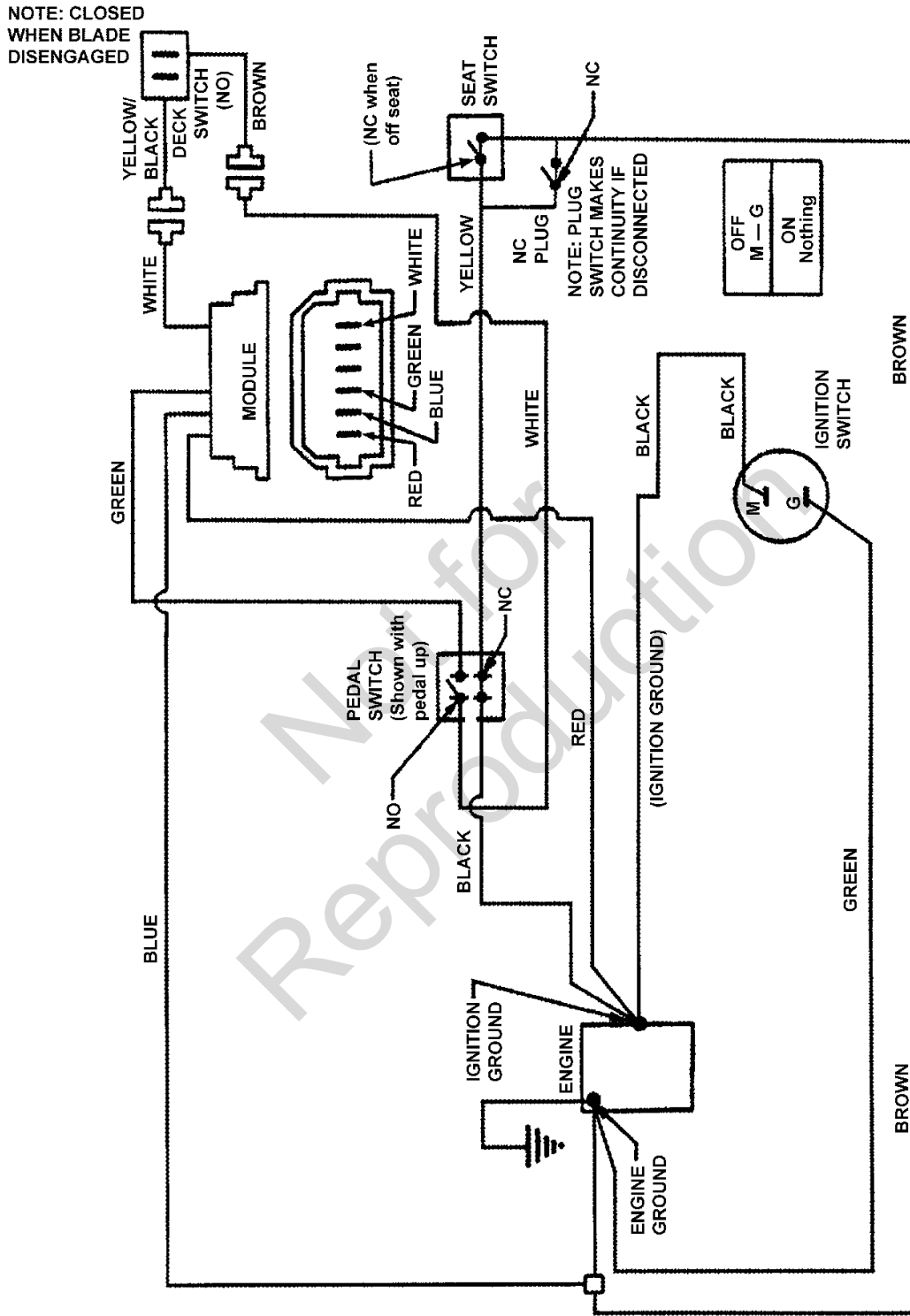
---

Wiring Schematic incl. harness #'s 7022788, 7073715 & 7028607

Not for  
Reproduction

Footnotes:

**Wiring Schematic (11 & 11.5HP Briggs Recoil Start)**



**WIRING SCHEMATIC FOR 11 & 11.5HP RECOIL START (Briggs Engines)**



**Wiring Schematic (11 & 11.5HP Briggs Recoil Start)**

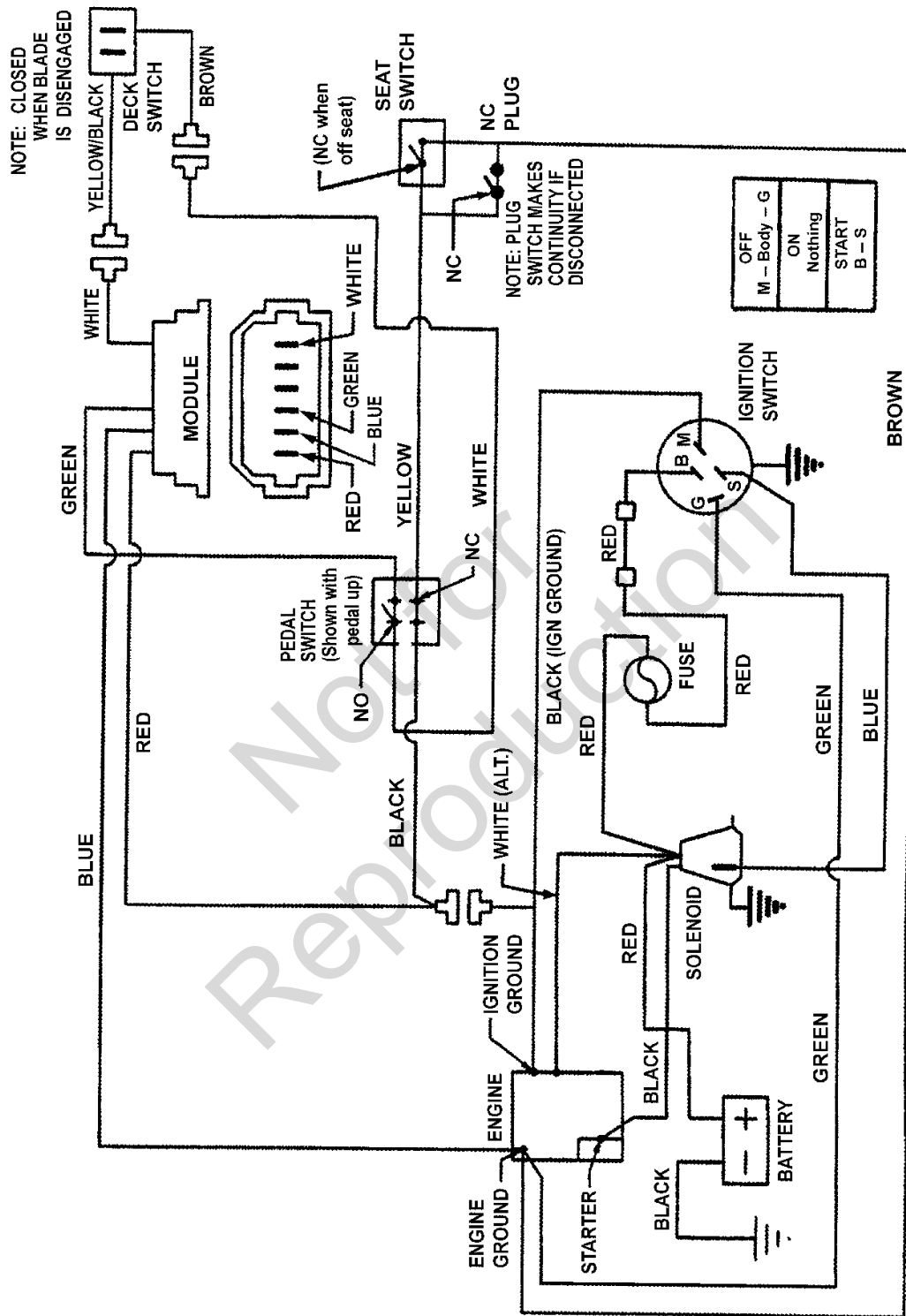
---

<b>Item</b>	<b>Part No</b>	<b>Qty</b>	<b>Description</b>
			Wiring Schematic incl. harness #'s 7028386, 7073714 & 7028607

Not for  
Reproduction

Footnotes:

**Wiring Schematic (13HP Briggs)**



**WIRING SCHEMATIC FOR 13HP Briggs Engines**

**Wiring Schematic (13HP Briggs)**

---

<b>Item</b>	<b>Part No</b>	<b>Qty</b>	<b>Description</b>
-------------	----------------	------------	--------------------

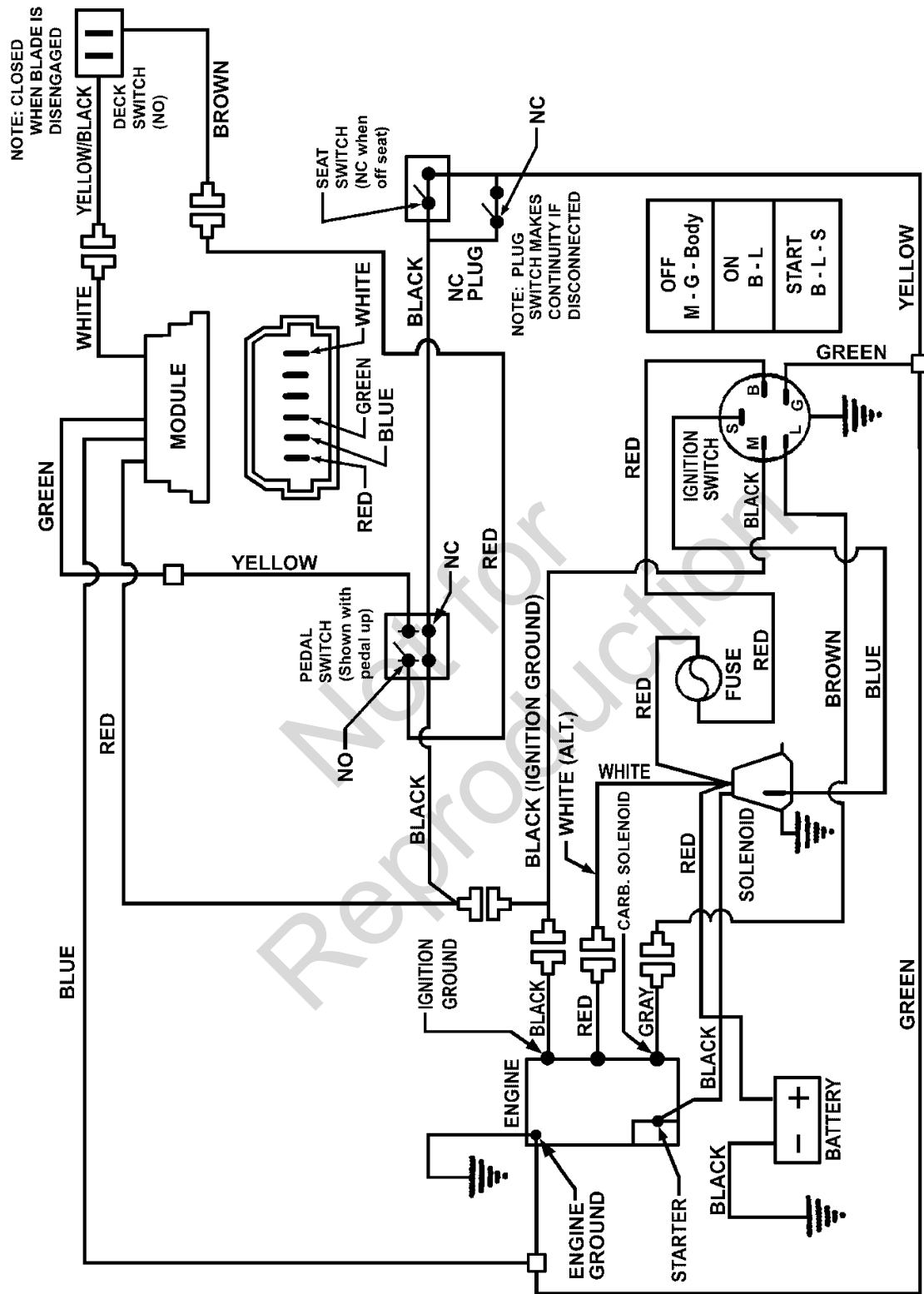
---

Wiring Schematic incl. harness #'s 7022788, 7074406 & 7028675

Not for  
Reproduction

Footnotes:

Wiring Schematic (13.5HP Briggs)



WIRING SCHEMATIC for 13.5 HP (Briggs Engine)

**Wiring Schematic (13.5HP Briggs)**

---

<b>Item</b>	<b>Part No</b>	<b>Qty</b>	<b>Description</b>
			Wiring Schematic incl. harness #'s 7022788, 7074406 & 7028675

Not for  
Reproduction

Footnotes:

Not for  
Reproduction

# Hardware Identification & Torque Specifications

Torque Specification Chart								
FOR STANDARD METRIC MACHINE HARDWARE (Tolerance ± 20%)								
Property Class	5.6		8.8		10.9		12.9	
	Class 5.6		Class 8.8		Class 10.9		Class 12.9	
Size Of Hardware	in/lbs		in/lbs		in/lbs		in/lbs	
	ft/lbs	Nm.	ft/lbs	Nm.	ft/lbs	Nm.	ft/lbs	Nm.
M3	5.88	.56	13.44	1.28	19.2	1.80	22.92	2.15
M4	13.44	1.28	30.72	2.90	43.44	4.10	52.56	4.95
M5	26.4	2.50	60.96	5.75	5.97	8.10	7.15	9.7
M6	44.64	4.3	7.3	9.9	10.3	14	12.1	16.5
M7	5.2	7.1	12.1	16.5	16.9	23	19.9	27
M8	7.7	10.5	17.7	24	25	34	29	40
M10	15	21	35	48	50	67	59	81
M12	26	36	61	83	86.2	117	103	140
M14	42	58	101	132	136	185	162	220
M16	64	88	147	200	210	285	250	340
M18	89	121	202	275	287	390	346	470
M20	126	171	290	390	405	550	486	660
M22	169	230	390	530	559	745	656	890
M24	217	295	497	375	708	960	840	1140
M27	320	435	733	995	1032	1400	1239	1680
M30	435	590	995	1350	1401	1900	1681	2280
M33	590	800	1349	1830	1902	2580	2278	3090
M36	759	1030	1740	2360	2441	3310	2935	3980
M39	988	1340	2249	3050	3163	4290	3798	5150

Torque Specification Chart						
FOR STANDARD MACHINE HARDWARE (Tolerance ± 20%)						
Hardware Grade	No Marks		SAE Grade 5		SAE Grade 8	
	SAE Grade 2		SAE Grade 5		SAE Grade 8	
Size Of Hardware	in/lbs		in/lbs		in/lbs	
	ft/lbs	Nm.	ft/lbs	Nm.	ft/lbs	Nm.
8-32	19	2.1	30	3.4	41	4.6
8-36	20	2.3	31	3.5	43	4.9
10-24	27	3.1	43	4.9	60	6.8
10-32	31	3.5	49	5.5	68	7.7
1/4-20	66	7.6	8	10.9	12	16.3
1/4-28	76	8.6	10	13.6	14	19.0
5/16-18	11	15.0	17	23.1	25	34.0
5/16-24	12	16.3	19	25.8	29	34.0
3/8-16	20	27.2	30	40.8	45	61.2
3/8-24	23	31.3	35	47.6	50	68.0
7/16-14	30	40.8	50	68.0	70	95.2
7/16-20	35	47.6	55	74.8	80	108.8
1/2-13	50	68.0	75	102.0	110	149.6
1/2-20	55	74.8	90	122.4	120	163.2
9/16-12	65	88.4	110	149.6	150	204.0
9/16-18	75	102.0	120	163.2	170	231.2
5/8-11	90	122.4	150	204.0	220	299.2
5/8-18	100	136	180	244.8	240	326.4
3/4-10	160	217.6	260	353.6	386	525.0
3/4-16	180	244.8	300	408.0	420	571.2
7/8-9	140	190.4	400	544.0	600	816.0
7/8-14	155	210.8	440	598.4	660	897.6
1-8	220	299.2	580	788.8	900	1,244.0
1-12	240	326.4	640	870.4	1,000	1,360.0

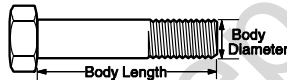
The guides and ruler furnished below are designed to help you select the appropriate hardware.



Nut, M8

Thread Diameter (mm)  
Inside Diameter (in)  
Threads per inch

Nut, 1/2-16



Screw, M8- 1.25 x 25

Thread Diameter (mm)  
Body Diameter  
Distance between threads (mm)  
Threads per inch  
Body Length (mm)  
Body Length (in)

Screw, 1/2- 16 x 2



## Standard Hardware Sizing

When a washer or nut is identified as 1/2" (M8), this is the *Nominal size*, meaning the *inside diameter* is 1/2 inch (8mm metric thread diameter); if a second number is present it represents the *threads per inch* (distance between threads).

When bolt or capscrew is identified as 1/2 - 16 x 2" (M8 - 1.25 x 50), this means the *Nominal size*, or body diameter is 1/2 inch (8mm metric thread diameter), the second number, 16, represents the *threads per inch*, (1.25 thread diameter). The final number is the body length of the bolt or screw, 2 inches (50mm).

## NOTES

- These torque values are to be used for all hardware excluding: locknuts, self-tapping screws, thread forming screws, sheet metal screws and socket head setscrews.
- Recommended seating torque values for locknuts:
  - for prevailing torque locknuts - use 65% of grade5 torques.
  - for flange whizlock nuts and screws - use 135% of grade 5 torques.
- Unless otherwise noted on assembly drawings, all torque values must meet this specification.

## Common Hardware Types

Hex Head Capscrew



Washer

Lockwasher

Carriage Bolt



Hex Nut

## Wrench & Fastener Size Guide

1/4" Bolt or Nut Wrench—7/16"	5/16" Bolt or Nut Wrench—1/2"	3/8" Bolt or Nut Wrench—9/16"	7/16" Bolt or Nut Wrench (Bolt)—5/8" Wrench (Nut)—11/16"	1/2" Bolt or Nut Wrench—3/4"
M6 Bolt or Nut Wrench—10mm	M8 Bolt or Nut Wrench—13mm	M10 Bolt or Nut Wrench—17mm	M12 Bolt or Nut Wrench—19mm	M14 Bolt or Nut Wrench—22mm

*Parts Manual for*

# **SNAPPER®**

## **30" STANDARD DECK REAR ENGINE RIDER SERIES 23**

Not for  
Reproduction

IT IS THE POLICY OF BRIGGS & STRATTON CORP TO IMPROVE ITS PRODUCTS WHENEVER IT IS POSSIBLE AND PRACTICAL TO DO SO. WE RESERVE THE RIGHT TO MAKE CHANGES OR ADD IMPROVEMENTS AT ANY TIME WITHOUT INCURRING ANY OBLIGATION TO MAKE SUCH CHANGES ON PRODUCTS

**Briggs & Stratton Yard Power Products Group**

535 Macon Road  
McDonough, GA, 30253 U.S.A.  
800-935-2967

[www.snapper.com](http://www.snapper.com)

Copyright © 2010 Briggs & Stratton Corporation  
Milwaukee, WI USA. All Rights Reserved

**Manual No. 7006278**  
**Revision: B 4/21/2010**