

Cantilever Lift System

Basic Operation Instructions



QUANTUM
REHAB

MOVING AT THE SPEED OF LIFE™

PRODUCT SAFETY SYMBOLS

The symbols below are used throughout this owner's manual and on the product to identify warnings and important information. It is very important for you to read them and understand them completely.



WARNING! Indicates a potentially hazardous condition/situation that can cause either personal injury, component damage, or malfunction (black symbol on yellow triangle with black border).



MANDATORY! These actions should be performed as specified. Failure to perform mandatory actions can cause personal injury to personnel and/or equipment damage (white symbol on blue dot).



PROHIBITED! These actions should not be taken or should be stopped. Performing a prohibited action can cause personal injury and/or equipment damage (black symbol with red circle and red slash).



NOTE: Supplemental information that may be helpful to operate the equipment.



Read and follow the information in the owner's manual.



Pinch Point.

TABLE OF CONTENTS

SAFETY	4
CANTILEVER LIFT SYSTEM	6
VIBE WITH CANTILEVER LIFT SYSTEM SPECS.....	8
CANTILEVER LIFT OPERATION - VSI.....	9
CANTILEVER LIFT OPERATION - REMOTE PLUS	10
CANTILEVER LIFT OPERATION - EUROPA	11
SEAT DUMP ADJUSTMENT	12
SEAT POSITION ADJUSTMENT	14
WARRANTY	15

SAFETY

WELCOME to Quantum Rehab, a division of Pride Mobility Products Corporation (Pride). The product you have purchased combines state of the art components with **safety**, comfort and styling in mind. We are confident that the design features will provide you with the conveniences you expect during your daily activities. Understanding how to **safely** operate and care for this product should bring you years of trouble free operations and service.

Read and follow all instructions, warnings, and notes in this manual and all other accompanying literature before attempting to operate this product for the first time. In addition, your **safety** depends upon you, as well as your provider, caretaker, or healthcare professional in using good judgement.

This manual is to be used in addition to the power base owner's manual that came with your power chair. If there is any information in this manual which you do not understand, or if you require additional assistance for setup or operation, please contact your Quantum Rehab Specialist. **Failure to follow the instructions, warnings, and notes in this manual and those located on your Pride product can result in personal injury or product damage and will void Pride's product warranty.**

INTERNET AND PRIVATE PURCHASES

The contents of this manual are based on the expectation that a mobility device expert has properly fit the product to meet your needs and has assisted the prescribing healthcare professional and/or the Quantum Rehab Specialist in the instruction process for the use of the product.

If you purchased this product over the internet or from a previous owner and you have any questions about the safe use and/or maintenance of the product, please visit the Pride web site or contact your Quantum Rehab Specialist.

PURCHASER'S AGREEMENT

By accepting delivery of this product, you promise that you will not change, alter or modify this product or remove or render inoperable or unsafe any guards, shields, or other safety features of this product; fail, refuse or neglect to install any retrofits kits from time to time provided by Pride to enhance or preserve the safe use of this product.

INFORMATION EXCHANGE

We want to hear your questions, comments, and suggestions about this manual. We would also like to hear about the safety and reliability of your new lift system, and about the service you received from your Quantum Rehab Specialist.

Please notify us of any change of address, so we can keep you apprised of important information about safety, new products, and new options that can increase your ability to use and enjoy your Pride product. Please feel free to contact us at the address below:

Pride Mobility Products Corporation
Attn: Customer Care Department
182 Susquehanna Avenue
Exeter, PA 18643-2694
customer care@pridemobility.com
800-800-8586 (Quantum - US)
888-570-1113 (Quantum - CAN)



NOTE: If you ever lose or misplace your product registration card or your copy of this manual, contact us and we will be glad to send you a new one immediately.

PRIDE OWNER'S CLUB

As an owner of a Pride product, you are encouraged to enroll in the Pride Owners Club. Complete and return your enclosed product registration card or visit Pride's web site at www.pridemobility.com.

From our home page, select "Owners Club" to enter a page dedicated to current and potential Pride product owners. You will gain access to interviews, stories, recreation ideas, daily living tips, product and funding information, and interactive message boards. These message boards invite you to communicate with other Pride customers as well as Pride representatives who are available to assist you with any questions or concerns you may have.

CANTILEVER LIFT SYSTEM

The Cantilever Lift System is designed specifically for the Vibe power base. The Cantilever Lift System consists of a lift frame that is integrated into the Vibe power base, an actuator, and an actuator lighting module (ALM). See figure 1. The ALM enables the controller to divert power from the batteries to the actuator. The actuator provides the lift. The total lift is 12 inches. Lift speed is 1/2 inch per second. The Cantilever Lift System is equipped with a speed inhibit that reduces your power chair's speed to one quarter (1/4) when the seat is elevated more than 3 inches.

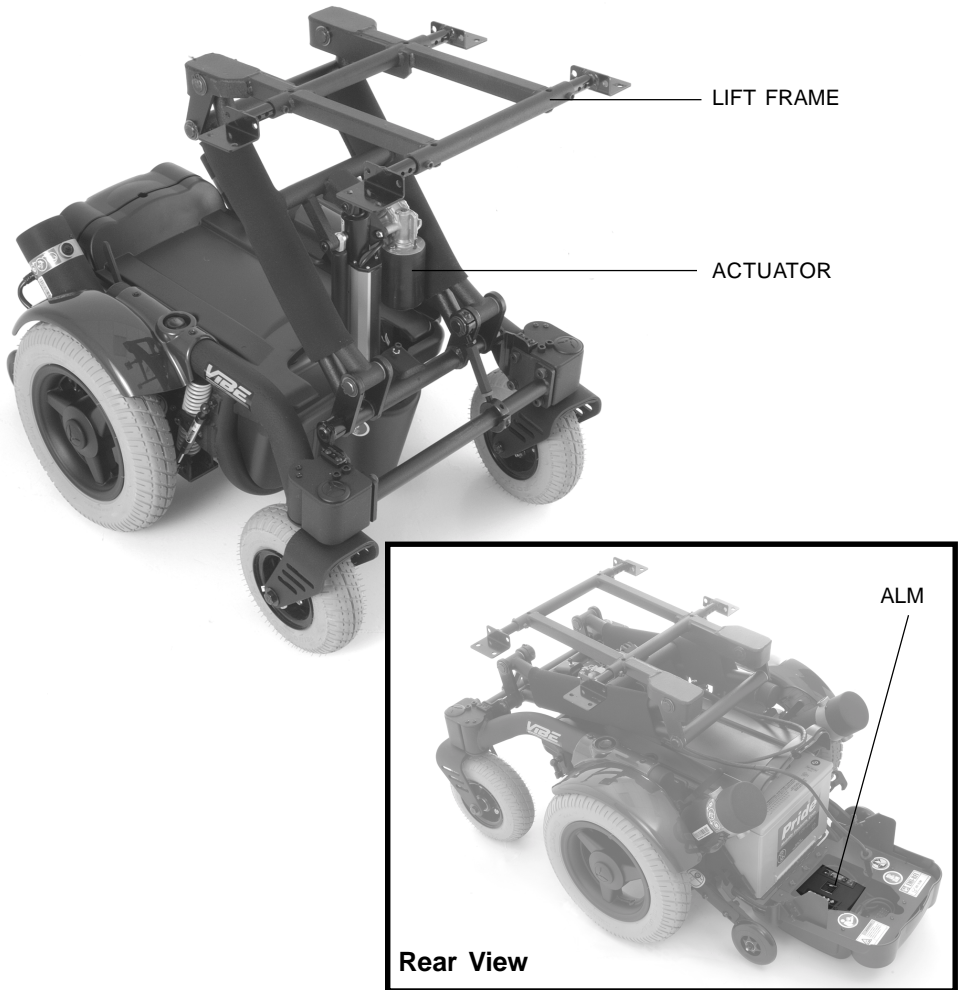


Figure 1. Cantilever Lift System



NOTE: Raising the cantilever lift can change your center of gravity. The cantilever lift option is intended for use on a flat, hard, level surface only. See figure 2.

NOTE: Check to be sure the speed inhibit system is operating properly before using your power chair.

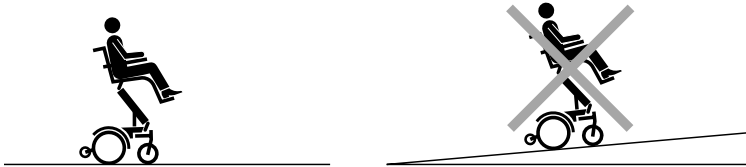


Figure 2. Use Lift on Flat, Hard, Level Surface Only



NOTE: Limit your movement while the lift is in an elevated position.

Raising the lift can enhance the capabilities of the power chair in the following ways:

- Your level of reach is extended to allow more freedom and independence in many environments.
- You are closer to the eye level of standing persons. This provides better interaction.

WARNING! Maintain recommended tire pressure in the drive wheels and the caster wheels to ensure stability. Refer to the Vibe Owner's Manual.

WARNING! Do not raise the lift from its lowest position on an inclined surface.

WARNING! Do not raise the cantilever lift while your power chair is in freewheel mode.



WARNING! Fasten the lap belt prior to operating the cantilever lift.

WARNING! Downward movement of the lift can create a pinch point. Keep all body parts out of the path of travel.

Failure to heed any of the above can result in personal injury and/or property damage.



NOTE: Lift adjustment speed is less than 1/2-inch per second.

VIBE WITH CANTILEVER LIFT SYSTEM SPECIFICATIONS	
Suspension:	Full suspension - Sport Trac
Drive Wheels:	14 in., pneumatic, rear-mounted (<i>14 in., solid are optional</i>)
Caster Wheels:	9 in. pneumatic, front-mounted (<i>9 in. solid, 8 in. solid, and 6 in. solid are optional</i>)
Anti-tip Wheels:	4 in., solid, rear-mounted
Maximum Speed:*	Up to 6 mph
Brakes:	"Intelligent Braking" electronic regenerative, disc park brake
Ground Clearance:	3.75 in.
Turning Radius:	24 in. (<i>without foot riggings</i>)
Turning Diameter	48 in. (<i>without foot riggings</i>)
Overall Size:	Length: 35.5 in. (<i>without foot riggings</i>) Length: 48 in. (<i>with swing-away footrests</i>) Width: 25 in.
Seating Options:	Specialty Seat (<i>standard</i>) Medium-Back Seat (<i>optional</i>) Synergy Seat (<i>optional</i>) High-Back Seat (<i>optional</i>) Reclining Seat (<i>optional</i>)
Drivetrain:	Two motor, rear-wheel drive
Batteries:	Group 34
Range:*	Up to 25 miles
Battery Charger:	8-amp, off-board
Electronics:	50-amp PG Drives VSI (<i>standard</i>) 70-amp PG Drives Remote Plus (<i>optional</i>) 70-amp Dynamic Europa (<i>optional</i>)
Weight Capacity:	300 lbs.
Component Weights:	Base: 90.5 lbs. (<i>without batteries and with pneumatic drive wheels</i>)
Cantilever Lift Speed:	1/2-in. per second
Cantilever Lift Extension:	Maximum 12 in.

*Depending on user weight and terrain.

CANTILEVER LIFT OPERATION - VSI

To operate the cantilever lift:

1. Bring your power chair to a complete stop.
2. Press an actuator key until the actuator light is on. See figure 3.
3. Push the joystick forward to raise the lift. Pull the joystick back to lower the lift. Once the lift reaches its highest extension and the lift action stops, you should continue to hear and/or feel the lift motor running. This is because there is a clutch mechanism that allows the motor to continue running after the lift has reached its limit. This clutch works at both the top and bottom extensions of the lift. When you release the joystick, the lift motor will stop.



NOTE: Do not allow the motor to run more than a few seconds after the lift reaches the top or bottom limit.

4. Press the actuator key again until the actuator light goes out.

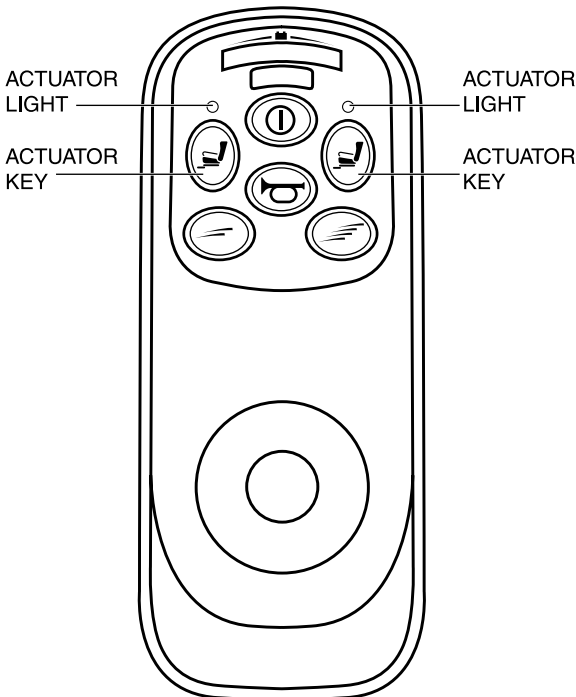


Figure 3. VSI Controller

CANTILEVER LIFT OPERATION - REMOTE PLUS

To operate the cantilever lift:

1. Bring your power chair to a complete stop.
2. Press the mode key until the actuator indicator lights up. See figure 4.
3. Push the joystick forward to raise the lift. Pull the joystick back to lower the lift. Once the lift reaches its highest extension and the lift action stops, you should continue to hear and/or feel the lift motor running. This is because there is a clutch mechanism that allows the motor to continue running after the lift has reached its limit. This clutch works at both the top and bottom extensions of the lift. When you release the joystick, the lift motor will stop.



NOTE: Do not allow the motor to run more than a few seconds after the mechanism reaches the top or bottom limit.

4. Press the mode key again until the speed setting indicator lights up.

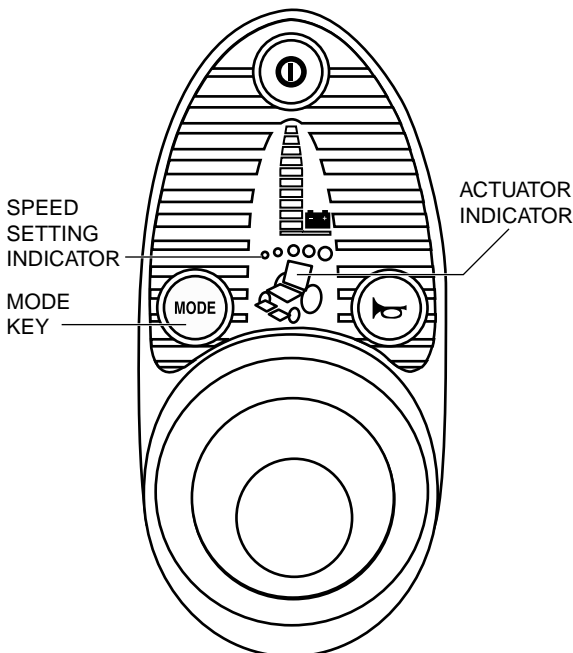


Figure 4. Remote Plus Controller

CANTILEVER LIFT OPERATION - EUROPA

To operate the cantilever lift:

1. Bring your power chair to a complete stop.
2. Press an actuator select key until an “A” appears in the drive mode and actuator display. See figure 5.
3. Pull the joystick back to raise the lift. Push the joystick forward to lower the lift. Once the lift reaches its highest extension and the lift action stops, you should continue to hear and/or feel the lift motor running. This is because there is a clutch mechanism that allows the motor to continue running after the lift has reached its limit. This clutch works at both the top and bottom extensions of the lift. When you release the joystick, the lift motor will stop.



NOTE: Do not allow the motor to run more than a few seconds after the mechanism reaches the top or bottom limit.

4. Press the drive program select key until a number appears in the drive mode and actuator display.

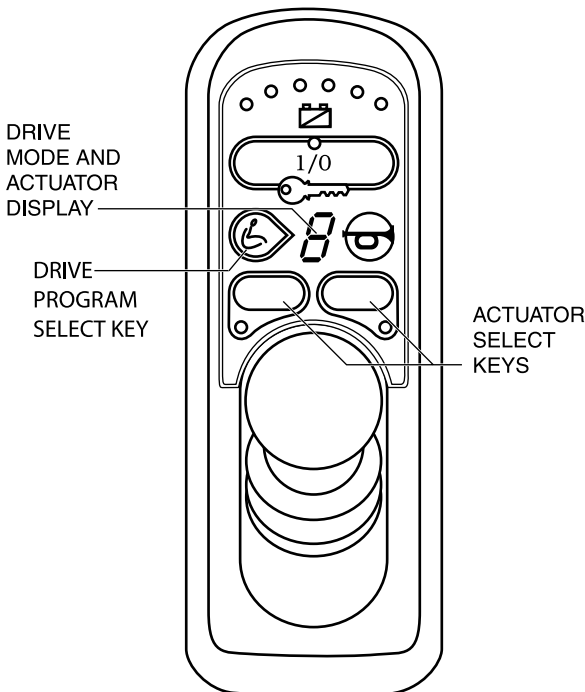


Figure 5. Europa Controller

SEAT DUMP ADJUSTMENT

The cantilever seat dump is preset at 5° . The seat adjustment range is $0 - 10^{\circ}$. See figure 6.



WARNING! Do not service this product be serviced while it is occupied. Failure to heed can result in personal injury and/or property damage.



NOTE: Changing the seat dump is a complicated task and should be performed by a Quantum Rehab Specialist only.

To adjust the seat dump:

1. Turn the fasteners on the front cover one quarter ($1/4$) turn in any direction. See figure 7.
2. Remove the cover.
3. Loosen the locknuts on each of the turnbuckles.
4. Rotate the large turnbuckle clockwise and the small turnbuckle counterclockwise to increase seat dump. Rotate the large turnbuckle counterclockwise and the small turnbuckle clockwise to decrease seat dump.
5. Tighten the locknuts on each of the turnbuckles.
6. Reinstall the cover.

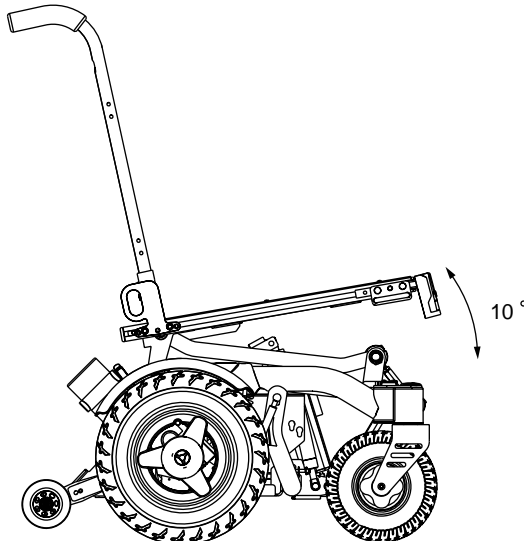


Figure 6. Seat Dump

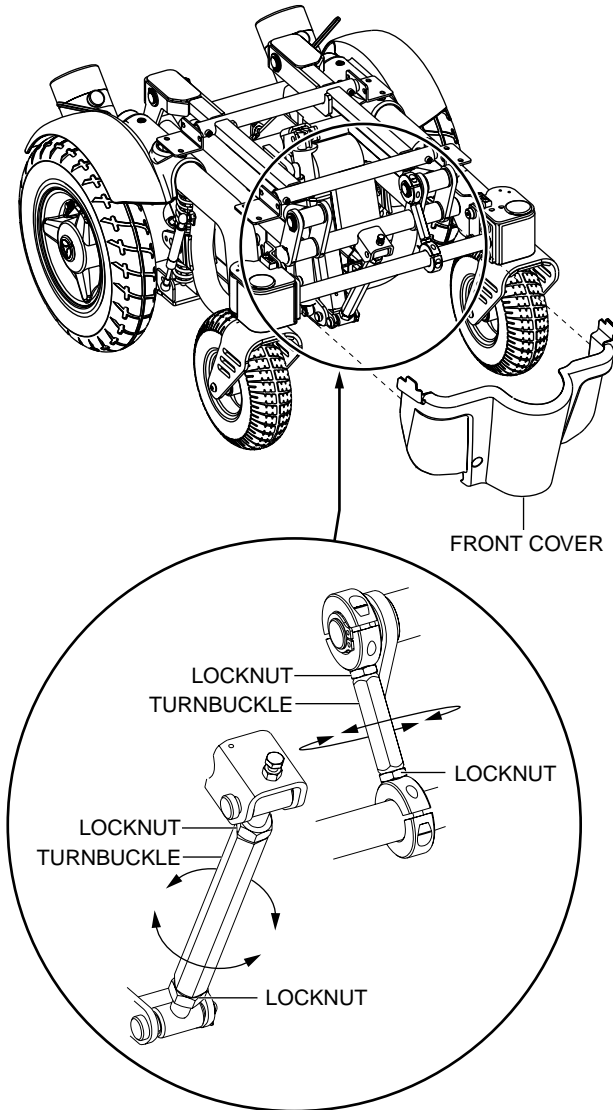


Figure 7. Seat Dump Adjustment

SEAT POSITION ADJUSTMENT

Seat position is preset at Pride during assembly. If for any reason, the seat was removed from the cantilever lift frame, it must be reinstalled exactly as illustrated below. See figures 8, 9, and 10. For removal and installation instructions, refer to the Vibe Owner's Manual or the Basic Operation Instructions that accompanied the seat.

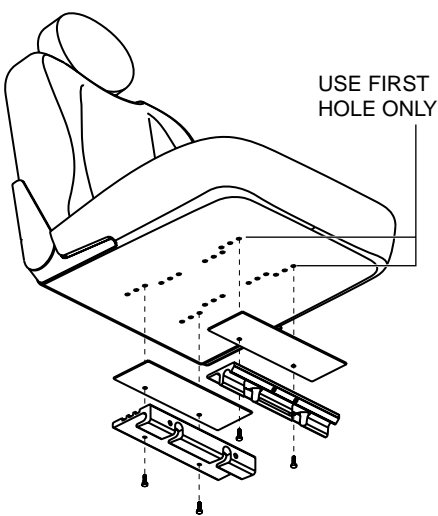


Figure 8. Contoured Seat (UMS)

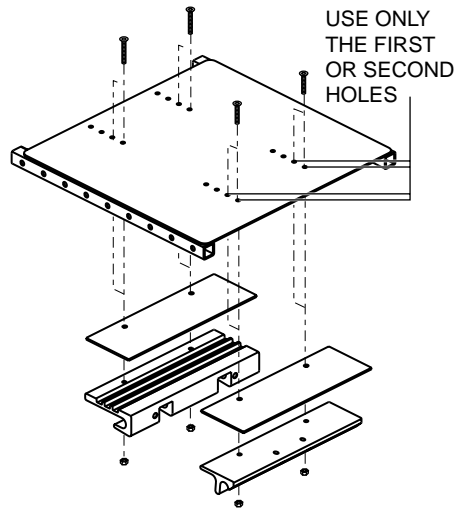


Figure 9. Specialty Seat (UMS)

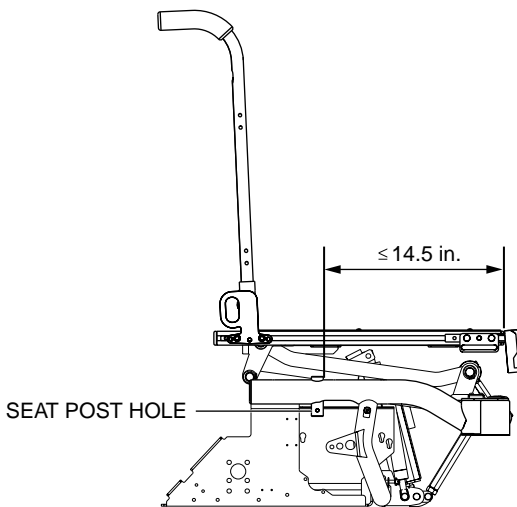


Figure 10. Synergy Seat

18-MONTH LIMITED WARRANTY

For eighteen (18) months from the date of purchase, Pride will repair or replace at our option to the original purchaser, free of charge, any of the following parts found upon examination by an authorized representative of Pride to be defective in material and/or workmanship:

- Actuator
- Lift Mechanism

Warranty service can be performed by your authorized Pride Provider. Do not return faulty parts to Pride without prior consent. All transportation costs and shipping damage incurred while submitting parts for repair or replacement are the responsibility of the purchaser.

Quality Control - Cantilever Lift System

We have thoroughly inspected your Cantilever Lift System. The following checkmarks indicate that it has been tested and inspected.

#1 IN QUALITY CONTROL

Model # _____

Serial # _____



Pride keeps a more detailed report on file at the factory.

Date Inspected _____

Inspector _____