

# Push Bar



Yes, you can.

## Assembly, Installation and Operating Instructions

Model No. T1483

### SAVE THESE INSTRUCTIONS

NOTE: Check all parts for shipping damage before using. In case of damage, DO NOT use the equipment. Contact the Dealer/Carrier for further instructions.

### SAFETY SUMMARY

The following recommendations are made for the safe use of the Push Bar:

### GENERAL WARNING

DO NOT install or use this equipment without first reading and understanding these instructions. If you are unable to understand the Warnings, Cautions or Instructions, contact a healthcare professional, dealer or technical personnel before attempting to install this equipment - otherwise, injury or damage may occur.

### INSTALLATION WARNING

After ANY adjustments, repair or service and BEFORE use, make sure that all attaching hardware is tightened securely.

This kit includes the following:

ITEM	QUANTITY
Push Bar (With Lock Knobs)	1
Back Canes	2

## INSTALLING THE BACK CANES (FIGURE 1)

NOTE: Refer to the GENERAL WARNINGS in the SAFETY SUMMARY of this Instruction Sheet.

NOTE: Take note of the position and orientation of the back cane mounting hardware. The NEW back canes will be installed at the same height settings as the EXISTING back canes.

1. Remove the eighteen (18) mounting screws and washers that secure the **EXISTING** back upholstery to the back canes. Set aside the mounting screws, washers and back upholstery.
2. Remove the four (4) long mounting screws and locknuts that secure the two (2) **EXISTING** back canes to the wheelchair frame.

### CAUTION

The Mounting screws **MUST** be securely tightened into the threaded mounting holes of the wheelchair frame before installing the locknuts - otherwise, damage may occur.

3. Insert the (2) NEW back canes into the wheelchair frame and secure with the four (4) long mounting screws through the threaded mounting holes of the wheelchair frame and the back cane. Securely tighten.
4. Reinstall the four (4) locknuts. Securely tighten.
5. Securely tighten the back upholstery to the NEW back canes with the eighteen (18) mounting screws and washers starting with the top hole of the back cane.

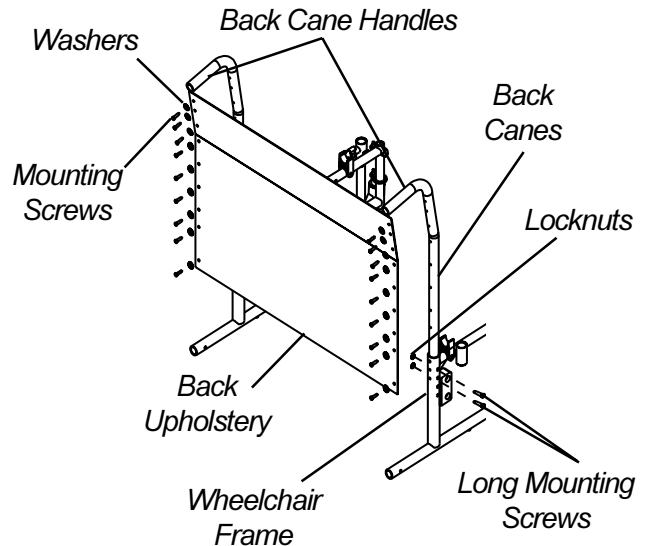


FIGURE 1 - INSTALLING THE BACK CANES

## INSTALLING/REMOVING THE PUSH BAR (FIGURE 2)

*NOTE: The 9000 Topaz is folded for either storage or transporting. The push bar must be removed before folding the wheelchair.*

### Installing The Push Bar

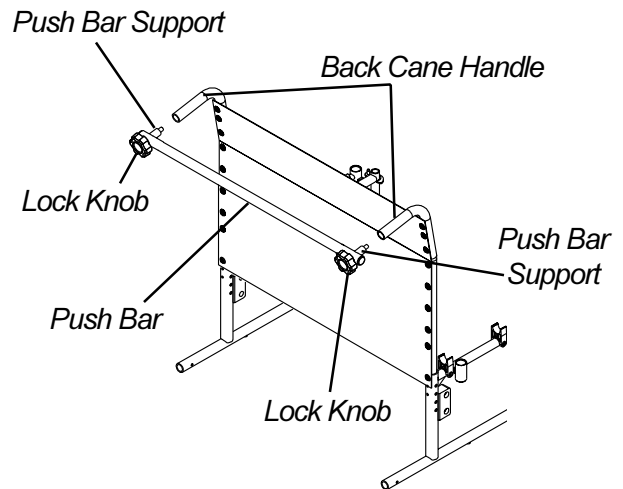
1. Insert one (1) bush bar support into one (1) back cane handle.

*NOTE It may be necessary to move the back cane side-to-side in order to align the remaining pushbar support with the back cane handle.*

2. Align the remaining pushbar support with the remaining back cane handle.
3. Insert the push bar support into the back cane handle. Securely tighten both lock knobs.

### Removing The Push Bar

1. Completely unthread both lock knobs.
2. Firmly grasp both ends of the push bar and PULL to remove the push bar from the back cane handles.



**FIGURE 2 - INSTALLING/REMOVING THE PUSH BAR**



**Yes, you can.™**

**Invacare Corporation**

[www.invacare.com](http://www.invacare.com)

**USA**  
One Invacare Way  
Elyria, Ohio USA  
44036-2125  
800-333-6900

**Canada**  
5970 Chedworth Way  
Mississauga, Ontario  
L5R 3T9, Canada  
905-890-8838

Invacare® and Yes, you can. are trademarks of Invacare Corporation.

© 2000 Invacare Corporation  
Form No. 00-183 Part No. 1100904 Rev B (1) 2/01