

**Panther™ / Lynx™ / Zoom-3
Scooters**

**Lynx™ SX3P/SX3/LX3/LX3Plus
Panther™ LX4/MX4**



Parts Catalog Usage Guide

The information contained in this document is subject to change without notice. This catalog contains service parts for Form No. 99-142. If you have any questions regarding this catalog, please contact one of our Customer Service Representatives.

For Customer Service Support Call:

1-800-333-6900

For Faxed In Orders Call:

1-800-678-4682 or

1-440-366-0709

For Technical Service Call:

1-800-832-4707

Literature Can Be Found at:

www.invacare.com or

1-800-828-6272

SYMBOL DEFINITION

Throughout this catalog you will notice letters to draw your attention to specific footnotes which are located at the bottom of the page or below specified charts.

Examples:

A,B,C etc. = Special Comments

NOTE: = General information pertaining to that specific page

NLA = No Longer Available

HARDWARE MEASUREMENTS

The measurements for the hardware will be listed as follows:

Screws, Bolts Diameter X Thread Count/Pitch X Length

Washers Inside Diameter X Outside Diameter X Thickness

Spacers Inside Diameter X Outside Diameter X Length

For your convenience, we have supplied an area for you to list your Invacare Representatives.

Name	Phone Numbers

©2008 Invacare Corporation. Elyria, Ohio. Invacare, Yes, you can. and the Medallion Design are registered trademarks; Lynx and Panther are trademarks of Invacare Corporation.

TABLE of CONTENTS

Description	Page Number
Accessories	53
Accessories - Oxygen Holder	56
Anti-Tippers	16
Arm Assembly	48
Baskets	52
Battery Harnesses and Chargers	29
Controller and Harnesses	27
Disc Brake Assembly - Panther MX4	36
Forks and Hardware	31
Frame Hardware - Lynx and Zoom-3	6
Frame Hardware - Panther	8
Front Axle Assembly	34
Front Bumper Cover - Panther LX4	35
Front Shrouds - Lynx and Zoom-3	10
Front Shrouds - Panther	12
Headlight Assembly	50
Packaging and Literature	4
Rear Shrouds	14
Seat Assembly - Lynx SX3P/SX3/LX3/LX3 Plus; Panther LX4/MX4	44
Seat Assembly - Zoom-3	46
Shocks - Panther MX4	37

TABLE of CONTENTS

Description	Page Number
Steering Assembly	32
Tiller Assembly with Harness - Zoom-3	25
Tiller Assembly with Harness (Lynx LX3 Before S/N 00F622315; Panther LX4 Before S/N 00F622475; Panther MX4 Before S/N 00F623495)	17
Tiller Assembly with Harness {MFG After 12/01} (Lynx SX3P After S/N 00F623034; Lynx LX3 After S/N 00F622314; Panther LX4 After S/N 00F622474; Panther MX4 After S/N 00F623494)	22
Tiller Assembly with Harness {MFG Before 1/02} (Lynx SX3P After S/N 00F623034; Lynx LX3 After S/N 00F622314; Panther LX4 After S/N 00F622474; Panther MX4 After S/N 00F623494)	19
Trans-Axle Assembly - Lynx LX3/LX3Plus & Panther LX4/MX4	42
Trans-Axle Assembly - Lynx SX3P/SX3 and Zoom-3	40
Wheels	38

Packaging and Literature

When adjusting or replacing parts, please refer to your Owner's Manual for assistance.

Packaging Kits

Model Number	Part Number	Description
Zoom-3	1112796	1 ea. Cardboard Insert 6 ea. Foam 1 ea. EPE Foam 4 ea. Wrapping Material 1 ea. Carton
Lynx SX3P/SX3	1091864-NLA	3 ea. Partition Board 1 ea. Foam 2 ea. EPE Foam 3 ea. Protection Mat 1 ea. Carton
Lynx LX3/LX3 Plus	1091865-NLA	4 ea. Protection Mat 1 ea. Foam 4 ea. Partition Board 2 ea. EPE Foam 1 ea. Carton
Panther LX4	1091866-NLA	4 ea. Protection Mat 1 ea. Foam 3 ea. Partition Board 2 ea. EPE Foam 1 ea. Carton

Literature

Part Number	Description
1090132	Owner's Manual - All Models
1104920	Owner's Manual (English/French Canadian)

Packaging and Literature

When adjusting or replacing parts, please refer to your Owner's Manual for assistance.

Warning Label Kits

Part Number	Description
1093214-NLA See Note(s) A	Warning Label Kit - French Canadian
1093215 See Note(s) B	Warning Label Kit - Domestic Spanish

NOTE: A - Includes Warning Labels and Instruction Sheet.
B - Includes Owner's Manual, Warning Labels and Instruction Sheet.

Touch-Up Paint

Part Number	Description
1102705	Candy Red
1102706-NLA	Metallic Green
1102707-NLA	Champagne
1101326	Deep Blue

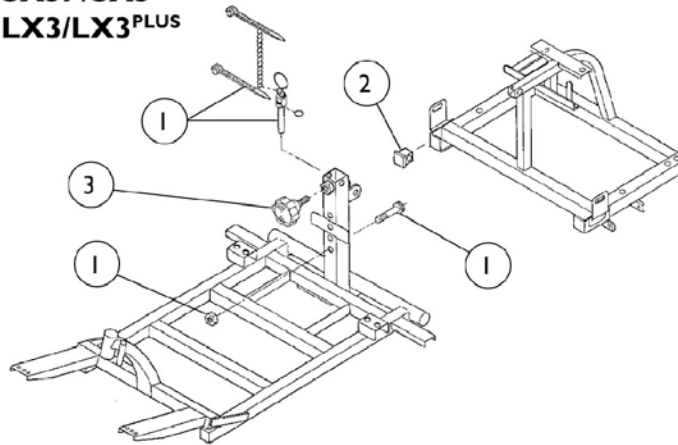
Frame Hardware

Lynx and Zoom-3

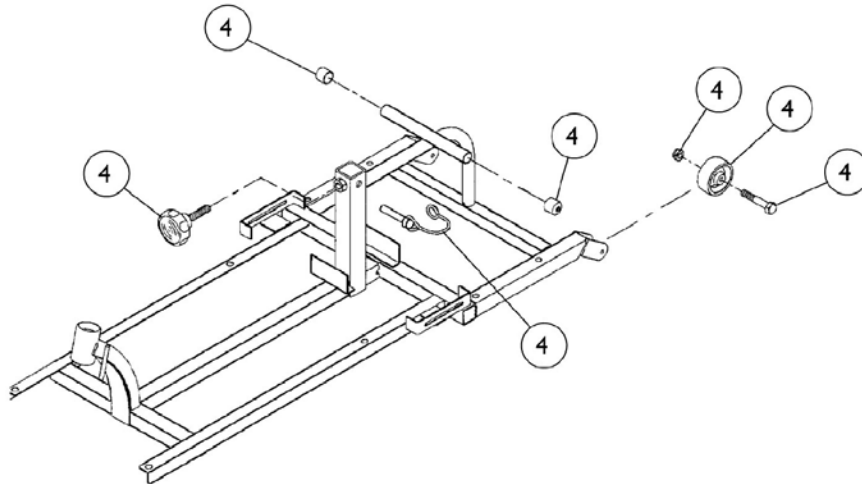
Note: Frame is not sold as a service part.

Note: All Front and Rear Frames shown for reference only.

Lynx SX3P/SX3 Lynx LX3/LX3^{PLUS}



Zoom-3



Frame Hardware Lynx and Zoom-3

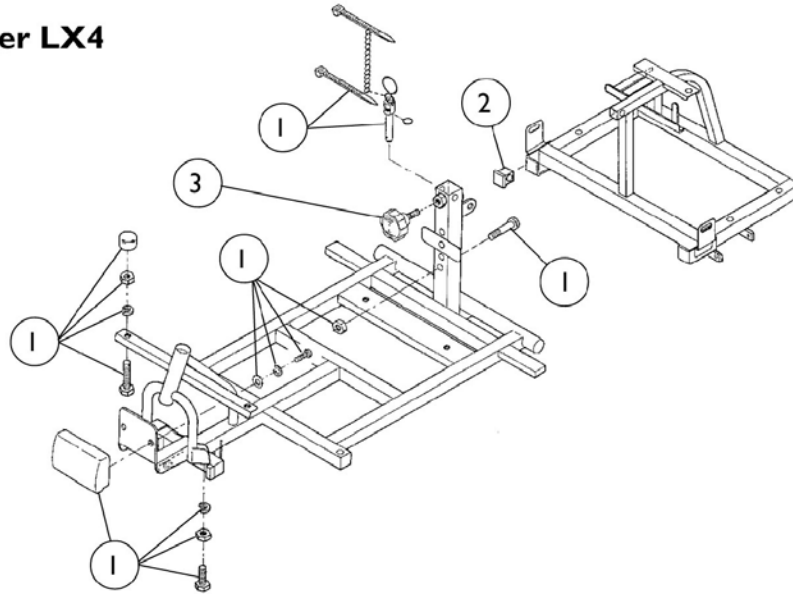
Note: Frame is not sold as a service part.

Item Number	Note	Part Number	Description	Quantity Per	
				Package	Assembly
1		1088660	Front Frame Hardware - Includes: 1 each Safety Pin Assembly 2 each Cable Tie 1 each Chain 1 each Pin, Safety 1 each Bolt, Hex Head (M6 x 1.0 x40) 1 each Nut, Self-Lock (6 x 10)	1	1
2		1088792-NLA	Rear Frame Hardware - Lynx SX3P/SX3/LX3/LX3Plus and Panther LX4 Includes: 1 each Rubber	1	1
3		1088767	Knob, Seat Post - Lynx SX3P/SX3/LX3/LX3Plus and Panther LX4	1	1
4		1105914	Frame Hardware - Zoom-3 Includes: 1 ea. Knob, Seat Post 2 ea. Rubber Cover 2 ea. Wheel, Anti-Tip 2 ea. Screw, Hex Cap (M6 x 1.0 x 40) 2 ea. Nut, Self-Lock (6 x 10) 1 ea. Pin, Connecting	1	1

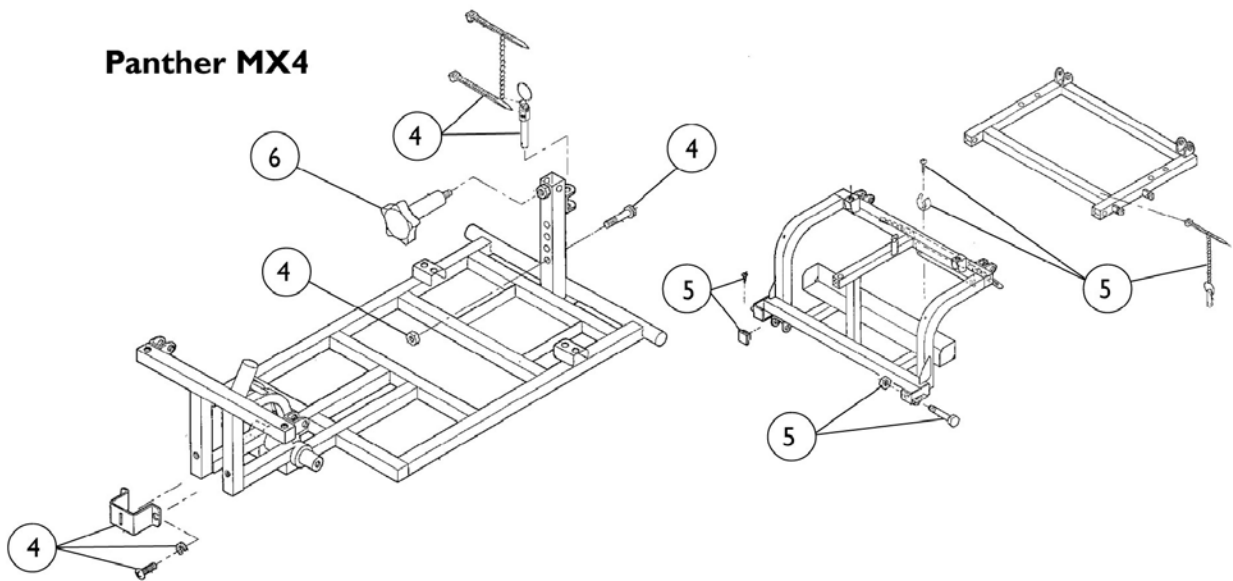
Frame Hardware Panther

Note: All Front and Rear Frames shown for reference only.

Panther LX4



Panther MX4



Frame Hardware Panther

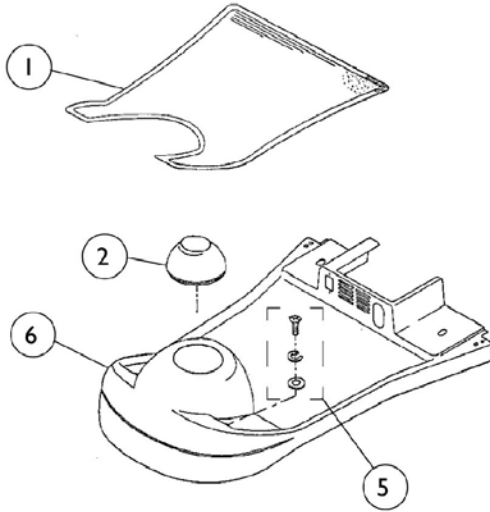
Item Number	Note	Part Number	Description	Quantity Per	
				Package	Assembly
1		1088738-NLA	Front Frame Hardware-Panther LX4 Includes: 2 each Screw, Hex (M8 x 1.25 x 35) 2 each Screw, Hex (M8 x 1.25 x 25) 4 each Nut (M8 x 13) 4 each Washer, Spring (8 x 13) 2 each Rubber 1 each Bolt, Hex Head (M6 x 1.0 x 40) 1 each Nut, Self-Lock (6 x 10) 2 each Pin, Safety 1 each Cable Tie 1 each Chain 1 each Cushion 2 each Washer (6 x 18 x 1.6) 2 each Washer, Spring (6 x 10) 2 each Screw (M6 x 1.0 x 16)	1	1
2		1088792-NLA	Rear Frame Hardware - Lynx SX3P/SX3/LX3/LX3Plus and Panther LX4 Includes: 1 each Rubber	1	1
3		1088767	Knob, Seat Post - Lynx SX3P/SX3/LX3/LX3Plus and Panther LX4	1	1
4		1091138	Front Frame Hardware - Panther MX4 Includes: 1 each Bracket 2 each Screw (M6 x 1.0 x 16) 2 each Washer, Spring (6 X 10) 2 each Pin, Safety 2 each Cable Tie 1 each Chain 1 each Bolt, Hex Head (M6 x 1.0 x 40) 1 each Nut, Self-Lock (6 x 1.0 x10)	1	1
5		1091139	Rear Frame Hardware - Panther MX4 Includes: 1 each Rubber 2 each Bolt (M8 x 1.25 x 45) 2 each Nut, Self-Lock (8 x 1.25 x 13) 2 each Pin, Connecting 1 each Cable Tie 1 each Chain 1 each Bind Ring 1 each Screw, SelfTapping (M4 x 15)	1	1
6		1091859	Knob, Seat Post - Panther MX4	1	1

Front Shrouds

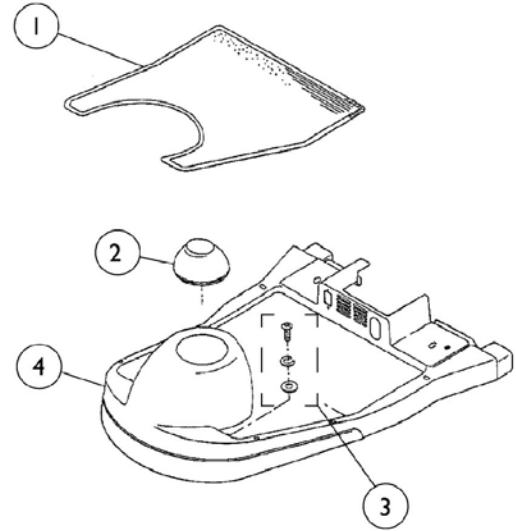
Lynx and Zoom-3

Note: Shroud Assemblies include Carpet with Hook and Loop and Hardware.

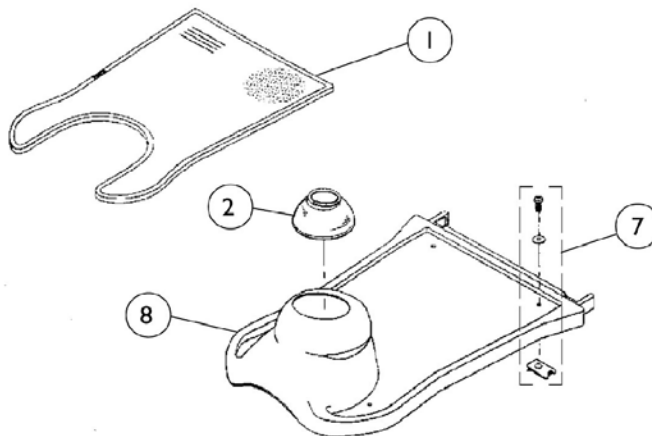
Lynx SX3P/SX3



Lynx LX3/LX3Plus



Zoom-3



Front Shrouds Lynx and Zoom-3

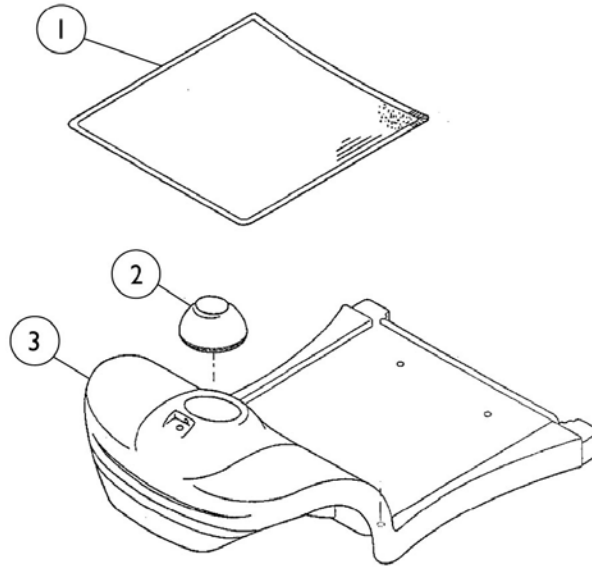
Item Number	Note	Part Number	Description	Quantity Per	
				Package	Assembly
1		1088687	Carpet with Hook and Loop	1	1
1		1088688	Carpet with Hook and Loop	1	1
1		1105916	Carpet with Hook and Loop - Zoom-3	1	1
2		1088710	Boot	1	1
3		1088711	Shroud Hardware - Includes: 2 each Washer (6 x 18 x 1.6) 2 each Washer, Spring (6 x 10) 2 each Screw (M6 x 1.0 x 20)	1	1
4		1088678	Shroud with Carpet and Hardware - Candy Red	1	1
4		1088679-NLA	Shroud with Carpet and Hardware - Metallic Green	1	1
4		1088680	Shroud with Carpet and Hardware - Deep Blue	1	1
4		1104157	Shroud with Carpet and Hardware - Lynx LX3Plus - Magic Black	1	1
5		1088793	Shroud Hardware - Lynx SX3P/SX3 Includes: 2 each Washer (6 x 18 x 1.6) 2 each Washer, Spring (6 x 10) 2 each Screw (M6 x 1.0 x 16)	1	1
6		1088674-NLA	Shroud with Carpet and Hardware - (Before S/N 00F623035) - Gray	1	1
6		1102246-NLA	Shroud with Carpet and Hardware - Lynx SX3P (After S/N 00F623034) - Ivory	1	1
6		1088675	Shroud with Carpet and Hardware - Candy Red	1	1
6		1088677	Shroud with Carpet and Hardware - Deep Blue	1	1
7		1105917	Shroud Hardware - Zoom-3 4 ea. Washer (6 x 18 x 1.6) 4 ea. Plate Nut, U-Type 4 ea. Screw (M6 x 1.0 x 16)	1	1
8		1105915-NLA	Shroud with Carpet and Hardware - Zoom-3 - Candy Red	1	1
		1076178	Seat Hardware	--	--

Front Shrouds

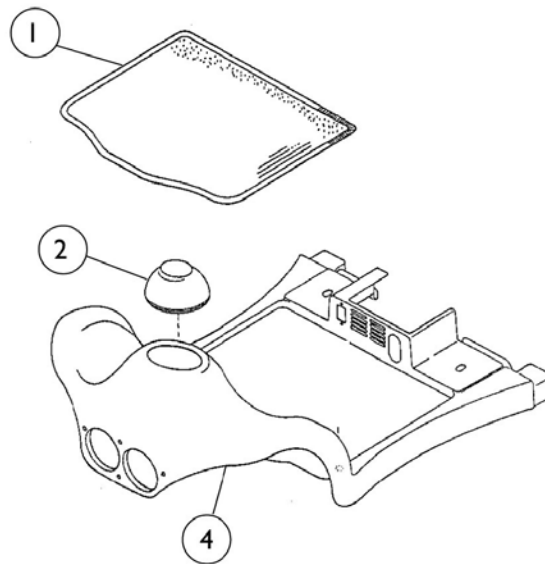
Panther

Note: Shroud Assemblies include Carpet with Hook and Loop and Hardware.

Panther LX4



Panther MX4

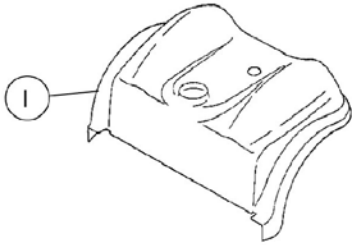


Front Shrouds Panther

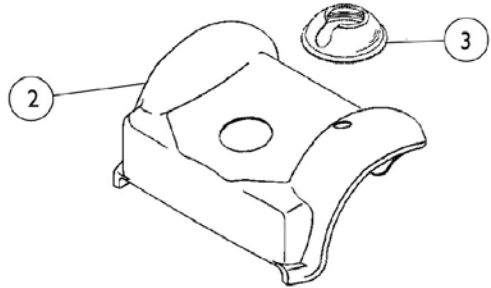
Item Number	Note	Part Number	Description	Quantity Per	
				Package	Assembly
1		1088689	Carpet w/Hook and Loop	1	1
1		1088690	Carpet w/Hook and Loop	1	1
2		1088710	Boot	1	1
3		1088681-NLA	Shroud w/Carpet and Hardware - Candy Red	1	1
3		1088682	Shroud w/Carpet and Hardware - Metallic Green	1	1
3		1088683	Shroud w/Carpet and Hardware - Deep Blue	1	1
3		1104158	Shroud with Carpet and Hardware - Panther LX4 - Magic Black	1	1
4	A	1088684	Shroud w/Carpet and Hardware - Champagne	1	1
		1088797	Shroud Hardware - Panther LX4 Includes: 2 each Plate Nut, U Type 4 each Washer (6 x 18 x 1.6) 4 each Washer, Spring (6 x 10) 4 each Screw (M6 x 1.0 x 20)	1	1
	A	1091140	Shroud Hardware - Panther MX4 Includes: 3 each Washer (4 x 12 x 0.8) 1 each Screw (M4 x 0.7 x 80) 1 each Nut (M4 x 0.7 x 7) 1 each Spring 2 each Washer (4 x 9 x 1) 1 each Nut, Self-Lock (4 x 0.7 x 7) 2 each Screw (M6 x 1.0 x 20) 2 each Washer, Spring (6 x 10) 2 each Washer (6 x 18 x 1.6)	1	1
NOTE: A - Not Shown					

Rear Shrouds

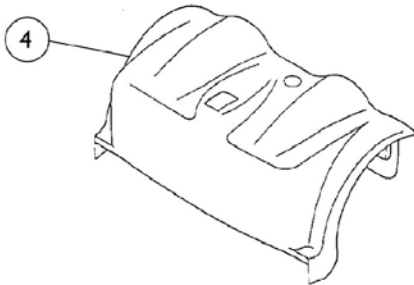
Lynx SX3P/SX3



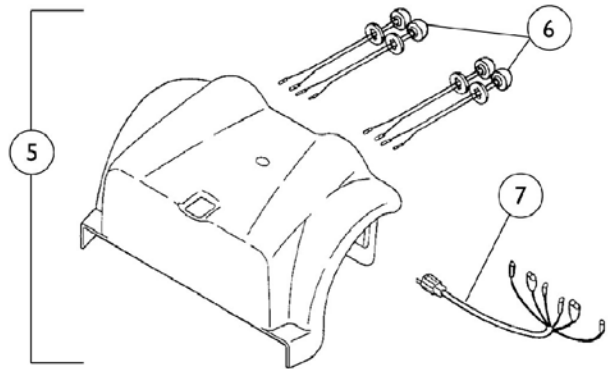
Zoom-3



**Lynx LX3/LX3^{Plus}
Panther LX4**



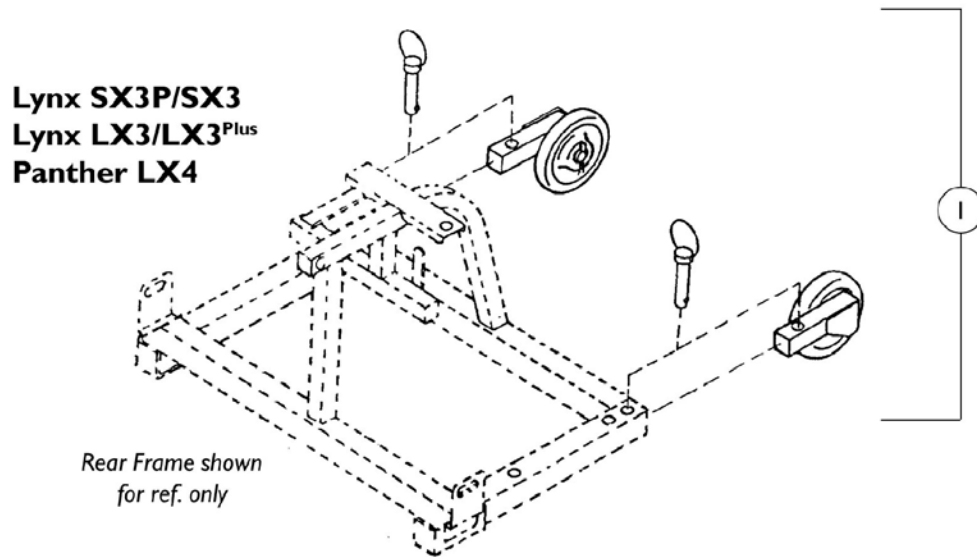
Panther MX4



Rear Shrouds

Item Number	Note	Part Number	Description	Quantity Per	
				Package	Assembly
1		1088661-NLA	Shroud, Rear - Before S/N 00F623035 (Gray)	1	1
1		1102247-NLA	Shroud, Rear - Lynx SX3P, After S/N 00F623034 (Ivory)	1	1
1		1088662	Shroud, Rear - Candy Red	1	1
1		1088664	Shroud, Rear - Deep Blue	1	1
2		1105918	Shroud, Rear - Zoom-3	1	1
3		1105919	Boot, Rear Shroud	1	1
4		1088665	Shroud, Rear - Candy Red	1	1
4		1088666	Shroud, Rear - Metallic Green	1	1
4		1088667	Shroud, Rear - Deep Blue	1	1
4		1104160	Shroud, Rear - Lynx LX3 Plus, Magic Black	1	1
4		1088668	Shroud, Rear - Candy Red	1	1
4		1088669	Shroud, Rear - Metallic Green	1	1
4		1088670	Shroud, Rear - Deep Blue	1	1
4		1104161	Shroud, Rear - Panther LX4, Magic Black	1	1
5		1088671	Shroud, Rear w/ Lights - Champagne	1	1
6		1088774	Tail Lights Includes 2 red lights and 2 yellow lights.	2	1
7		1088782	Harness, Tail Light	1	1

Anti-Tippers



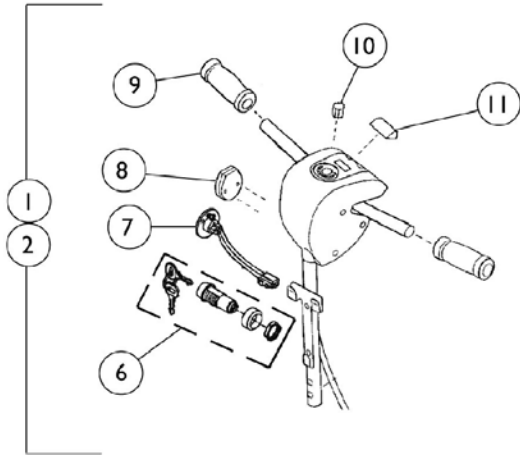
Item Number	Note	Part Number	Description	Quantity Per	
				Package	Assembly
1		1088658	Anti-Tippers - (1 Pair)	2	1

Zoom-3 models do not have removable Anti-Tippers. Anti-Tip Wheels are available as service parts in Frame Hardware.

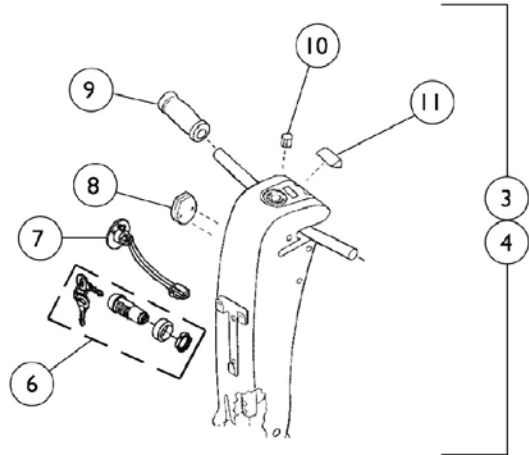
Tiller Assembly with Harness

Lynx LX3 Before S/N 00F622315; Panther LX4 Before S/N 00F622475;
Panther MX4 Before S/N 00F623495

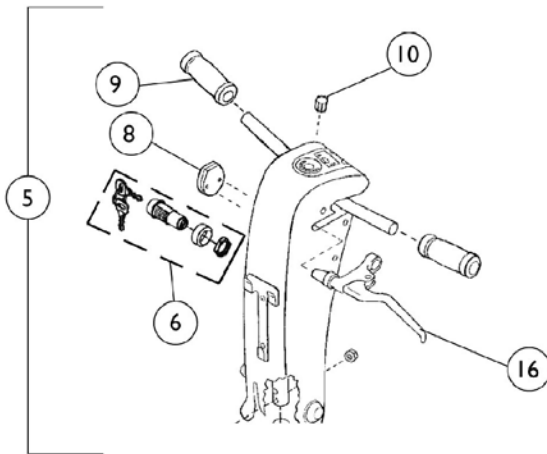
Lynx SX3P/SX3



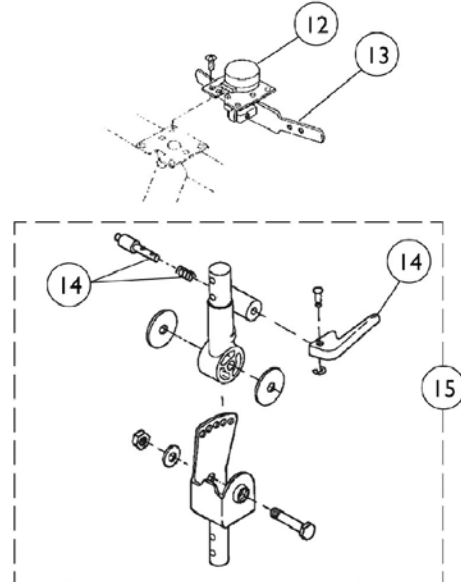
**Lynx LX3
Panther LX4**



Panther MX4



**Lynx SX3P/SX3/LX3
Panther LX4/MX4**



Tiller Assembly with Harness

**Lynx LX3 Before S/N 00F622315; Panther LX4 Before S/N 00F622475;
Panther MX4 Before S/N 00F623495**

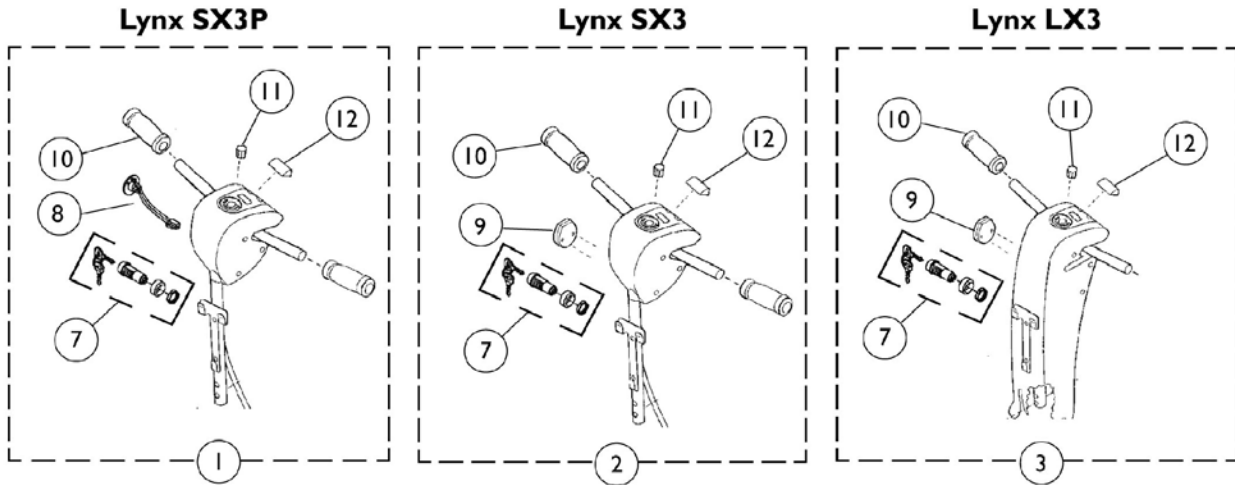
Item Number	Note	Part Number	Description	Quantity Per	
				Package	Assembly
1		1088691-NLA	Tiller Assembly w/ Harness - Gray	1	1
2		1088692-NLA	Tiller Assembly w/ Harness - Candy Red	1	1
2		1088694	Tiller Assembly w/ Harness - Deep Blue	1	1
3		1088695	Tiller Assembly w/ Harness - Candy Red	1	1
3		1088696	Tiller Assembly w/ Harness - Metallic Green	1	1
3		1088697	Tiller Assembly w/ Harness - Deep Blue	1	1
4		1088698	Tiller Assembly w/ Harness - Candy Red	1	1
4		1088699	Tiller Assembly w/ Harness - Metallic Green	1	1
4		1088700	Tiller Assembly w/ Harness - Deep Blue	1	1
5		1088701	Tiller Assembly w/ Harness - Champagne	1	1
6		1102927-NLA	Key Switch with Keys	1	1
6		1088704-NLA	Keys Only (Pair)	2	1
7		1091863	Charger Port - Lynx SX3P, Panther LX4 and Zoom-3	1	1
8		1091862	Cover, Charger Port - Lynx SX3/LX3/LX3 Plus and Panther MX4	1	1
9		1088706	Hand Grips (Pair)	2	1
10	B	1088705	Knob, Tiller Speed	1	1
11		1088707	LED Canopy	1	1
12	C	1101276	Potentiometer	1	1
13		1088708	Lever, Throttle	1	1
14		1088709	Handle, Latch with Spring and Pin	1	1
15		1099708-NLA	Bracket Assembly, Swivel	1	1
16		1088778	Hand Brake - Panther MX4	1	1
	A	1097017	Decal Kit, Forward/Reverse - Left Hand Operation (Includes: Decal and Instruction Sheet)	1	1
	A	1088794	Tiller Hardware - All Models Includes: 2 each Bolt (M6 x 1.0 x 35) 2 each Nut, Self-Lock (6 x 10 x 8) 1 each Washer (8 x 39 x 2) 1 each Washer (8 x 39 x 1.6) 1 each Bolt (M8 x 1.25 x 50) 1 each Washer (8 x 22 x 2) 1 each Nut, Self-Lock (8 x 1.25 x 13)	1	1

NOTE: A - Not Shown
 B - This Knob is used on all tiller models - it is not shown on some.
 C - The Throttle Lever is included with this item. If the tiller for this part is for is not a "Delta" tiller, please contact the technical services department for instructions on replacing this item.

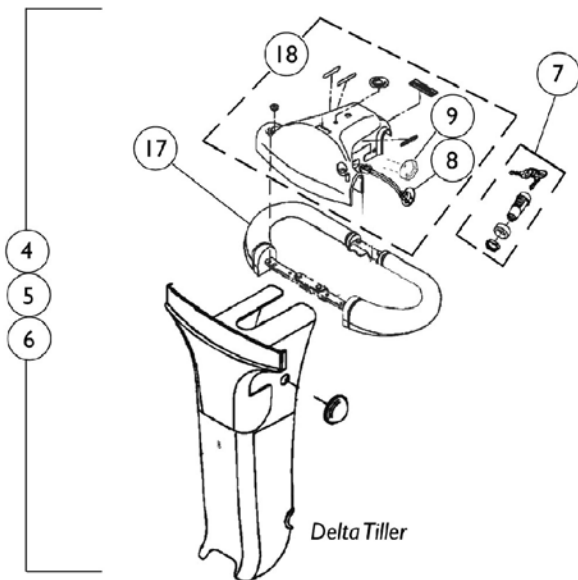
Tiller Assembly with Harness

Manufactured Before 1/02

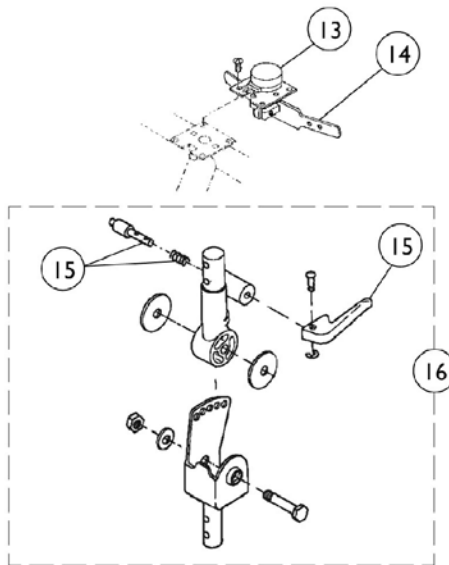
Lynx SX3P After S/N 00F623034; Lynx LX3 After S/N 00F622314; Panther LX4 After S/N 00F622474; Panther MX4 After S/N 00F623494



Lynx LX3^{Plus}
Panther LX4/MX4



Lynx SX3P/SX3/LX3/LX3^{Plus}
Panther LX4/MX4



Tiller Assembly with Harness Manufactured Before 1/02

Lynx SX3P After S/N 00F623034; Lynx LX3 After S/N 00F622314; Panther LX4 After S/N 00F622474; Panther MX4 After S/N 00F623494

Item Number	Note	Part Number	Description	Quantity Per	
				Package	Assembly
1		1102248-NLA	Tiller Assembly w/ Harness - Lynx SX3P, Taupe	1	1
2	A	1088692-NLA	Tiller Assembly w/ Harness - Candy Red	1	1
2	A	1088694	Tiller Assembly w/ Harness - Deep Blue	1	1
3	A	1088695	Tiller Assembly w/ Harness - Candy Red	1	1
3	A	1088696	Tiller Assembly w/ Harness - Metallic Green	1	1
3	A	1088697	Tiller Assembly w/ Harness - Deep Blue	1	1
4	A	1101272	Delta Tiller Assembly w/ Harness - Lynx LX3 Plus, Candy Red	1	1
4	A	1101273	Delta Tiller Assembly w/ Harness - Lynx LX3 Plus, Metallic Green	1	1
4	A	1101274	Delta Tiller Assembly w/ Harness - Lynx LX3 Plus, Deep Blue	1	1
4	A	1104164	Delta Tiller Assembly w/ Harness - Lynx LX3 Plus, Magic Black	1	1
5	A	1102390	Delta Tiller Assembly w/ Harness - Panther LX4, Candy Red	1	1
5	A	1102391-NLA	Delta Tiller Assembly w/ Harness - Panther LX4, Metallic Green	1	1
5	A	1102392	Delta Tiller Assembly w/ Harness - Panther LX4, Deep Blue	1	1
5	A	1104165	Delta Tiller Assembly w/ Harness - Panther LX4, Magic Black	1	1
6		1101278	Delta Tiller Assembly w/ Harness - Panther MX4, Champagne	1	1
7		1102927-NLA	Key Switch with Keys	1	1
7		1088704-NLA	Keys Only (Pair)	2	1
8		1091863	Charger Port - Lynx SX3P, Panther LX4 and Zoom-3	1	1
9		1091862	Cover, Charger Port - Lynx SX3/LX3/LX3 Plus and Panther MX4	1	1
10		1088706	Hand Grips (Pair)	2	1
11	E	1088705	Knob, Tiller Speed	1	1
12		1088707	LED Canopy	1	1
13	F	1101276	Potentiometer	1	1
14		1088708	Lever, Throttle	1	1
15		1088709	Handle, Latch with Spring and Pin	1	1
16		1099708-NLA	Bracket Assembly, Swivel	1	1
17		1101275	Handle Bar w/ Hardware - LX3Plus, LX4 and MX4	1	1
18	D	1101271	Cover Assembly, Tiller - LX3 Plus (Woodgrain Finish)	1	1
18	D	1102929	Cover Assembly, Tiller - LX3 Plus (Snake Skin Finish)	1	1
18	D	1102393	Cover Assembly, Tiller - LX4 (Woodgrain Finish)	1	1

Tiller Assembly with Harness Manufactured Before 1/02

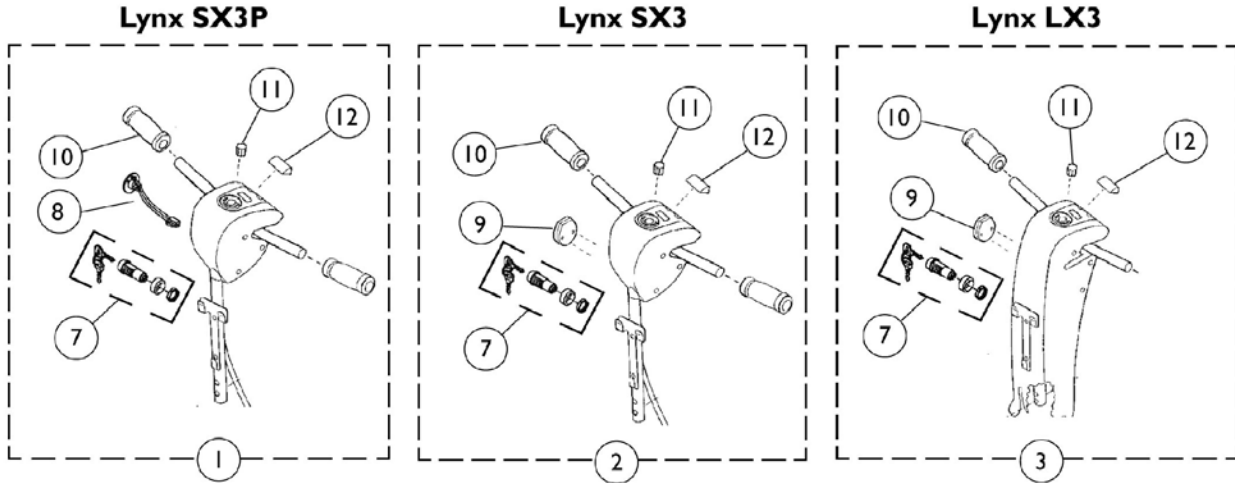
**Lynx SX3P After S/N 00F623034; Lynx LX3 After S/N 00F622314; Panther
LX4 After S/N 00F622474; Panther MX4 After S/N 00F623494**

Item Number	Note	Part Number	Description	Quantity Per	
				Package	Assembly
18	D	1102930	Cover Assembly, Tiller - LX4 (Snake Skin Finish)	1	1
18	D	1101277	Cover Assembly, Tiller - MX4 (Woodgrain Finish)	1	1
	C	P755	Throttle Lever Extensions (1 Pair)	2	1
	C	1097017	Decal Kit, Forward/Reverse - Left Hand Operation (Includes: Decal and Instruction Sheet)	1	1
	C	1088794	Tiller Hardware - All Models Includes: 2 each Bolt (M6 x 1.0 x 35) 2 each Nut, Self-Lock (6 x 10 x 8) 1 each Washer (8 x 39 x 2) 1 each Washer (8 x 39 x 1.6) 1 each Bolt (M8 x 1.25 x 50) 1 each Washer (8 x 22 x 2) 1 each Nut, Self-Lock (8 x 1.25 x 13)	1	1
NOTE: A - Before 1/02 C - Not Shown D - Old style has charger port on left side with warning label above; new style has black plug button siliconed inside hole. E - This Knob is used on all tiller models - it is not shown on some. F - The Throttle Lever is included with this item. If the tiller for this part is for a "Delta" tiller, please contact the technical services department for instructions on replacing this item.					

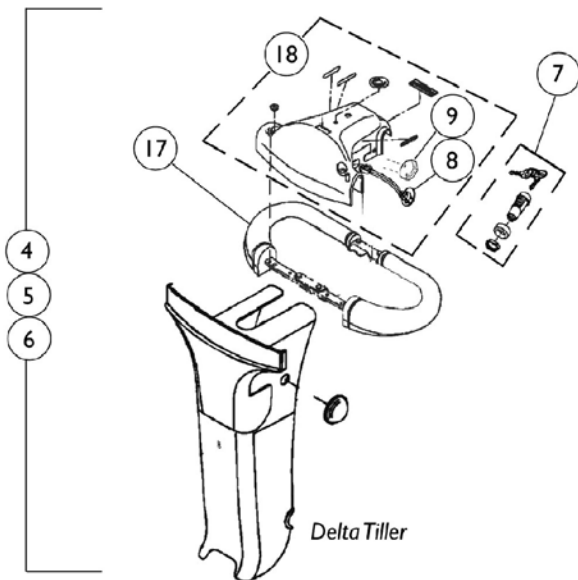
Tiller Assembly with Harness

Manufactured After 12/01

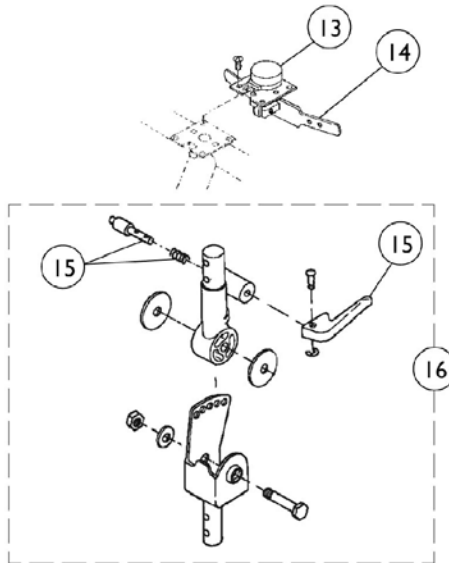
Lynx SX3P After S/N 00F623034; Lynx LX3 After S/N 00F622314; Panther LX4 After S/N 00F622474; Panther MX4 After S/N 00F623494



**Lynx LX3^{Plus}
Panther LX4/MX4**



**Lynx SX3P/SX3/LX3/LX3^{Plus}
Panther LX4/MX4**



Tiller Assembly with Harness Manufactured After 12/01

Lynx SX3P After S/N 00F623034; Lynx LX3 After S/N 00F622314; Panther LX4 After S/N 00F622474; Panther MX4 After S/N 00F623494

Item Number	Note	Part Number	Description	Quantity Per	
				Package	Assembly
1		1102248-NLA	Tiller Assembly w/ Harness - Lynx SX3P, Taupe	1	1
2	B	1113581	Tiller Assembly w/ Harness - Lynx SX3, Candy Red	1	1
2	B	1113582	Tiller Assembly w/ Harness - Lynx SX3, Deep Blue	1	1
3	B	1113579	Tiller Assembly w/ Harness - Lynx LX3, Candy Red	1	1
3	B	1113580	Tiller Assembly w/ Harness - Lynx LX3, Deep Blue	1	1
4	B	1113586	Delta Tiller Assembly w/ Harness - Lynx LX3 Plus, Candy Red	1	1
4	B	1113587	Delta Tiller Assembly with Harness - Lynx LX3 Plus, Deep Blue	1	1
4	B	1113588	Delta Tiller Assembly w/ Harness - Lynx LX3 Plus, Magic Black	1	1
5	B	1113583	Delta Tiller Assembly w/ Harness - Panther LX4, Candy Red	1	1
5	B	1113584	Delta Tiller Assembly w/ Harness - Panther LX4, Deep Blue	1	1
5	B	1113585	Delta Tiller Assembly w/ Harness - Panther LX4, Magic Black	1	1
6		1101278	Delta Tiller Assembly w/ Harness - Panther MX4, Champagne	1	1
7		1102927-NLA	Key Switch with Keys	1	1
7		1088704-NLA	Keys Only (Pair)	2	1
8		1091863	Charger Port - Lynx SX3P, Panther LX4 and Zoom-3	1	1
9		1091862	Cover, Charger Port - Lynx SX3/LX3/LX3 Plus and Panther MX4	1	1
10		1088706	Hand Grips (Pair)	2	1
11	E	1088705	Knob, Tiller Speed	1	1
12		1088707	LED Canopy	1	1
13	F	1101276	Potentiometer	1	1
14		1088708	Lever, Throttle	1	1
15		1088709	Handle, Latch with Spring and Pin	1	1
16		1099708-NLA	Bracket Assembly, Swivel	1	1
17		1101275	Handle Bar w/ Hardware - LX3Plus, LX4 and MX4	1	1
18	D	1101271	Cover Assembly, Tiller - LX3 Plus (Woodgrain Finish)	1	1
18	D	1102929	Cover Assembly, Tiller - LX3 Plus (Snake Skin Finish)	1	1
18	D	1102393	Cover Assembly, Tiller - LX4 (Woodgrain Finish)	1	1
18	D	1102930	Cover Assembly, Tiller - LX4 (Snake Skin Finish)	1	1
18	D	1101277	Cover Assembly, Tiller - MX4 (Woodgrain Finish)	1	1
	C	P755	Throttle Lever Extensions (1 Pair)	2	1
	C	1097017	Decal Kit, Forward/Reverse - Left Hand Operation (Includes: Decal and Instruction Sheet)	1	1

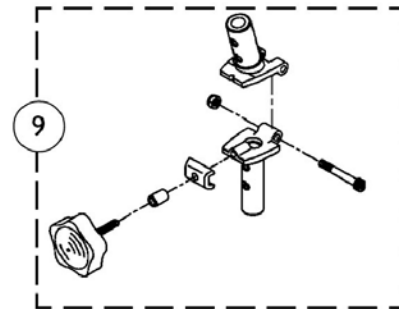
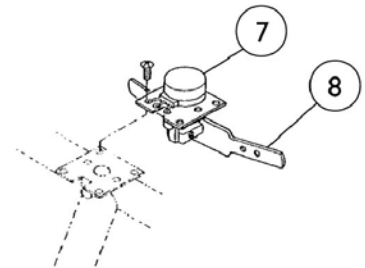
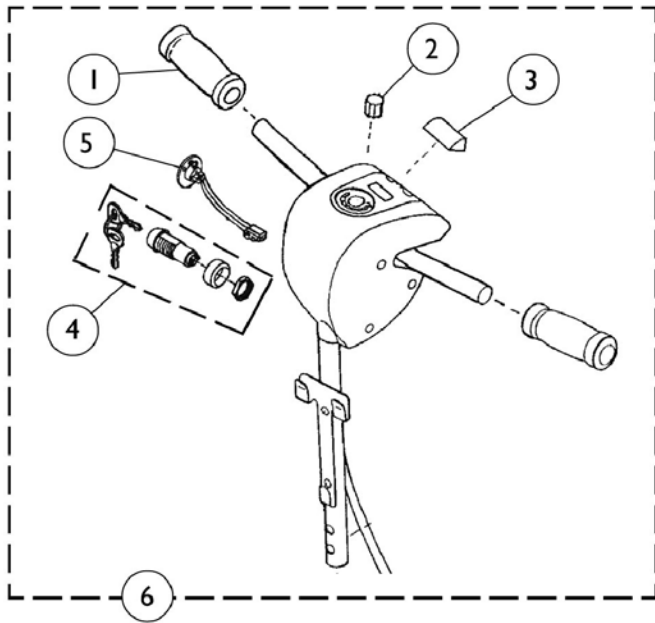
Tiller Assembly with Harness Manufactured After 12/01

**Lynx SX3P After S/N 00F623034; Lynx LX3 After S/N 00F622314; Panther
LX4 After S/N 00F622474; Panther MX4 After S/N 00F623494**

Item Number	Note	Part Number	Description	Quantity Per	
				Package	Assembly
	C	1088794	Tiller Hardware - All Models Includes: 2 each Bolt (M6 x 1.0 x 35) 2 each Nut, Self-Lock (6 x 10 x 8) 1 each Washer (8 x 39 x 2) 1 each Washer (8 x 39 x 1.6) 1 each Bolt (M8 x 1.25 x 50) 1 each Washer (8 x 22 x 2) 1 each Nut, Self-Lock (8 x 1.25 x 13)	1	1
NOTE: B - After 12/01 C - Not Shown D - Old style has charger port on left side with warning label above; new style has black plug button siliconed inside hole. E - This Knob is used on all tiller models - it is not shown on some. F - The Throttle Lever is included with this item. If the tiller for this part is for is not a "Delta" tiller, please contact the technical services department for instructions on replacing this item.					

Tiller Assembly with Harness

Zoom-3

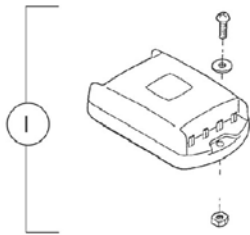


Tiller Assembly with Harness Zoom-3

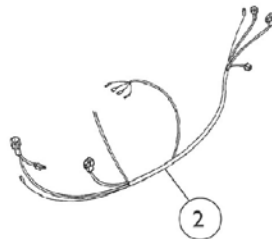
Item Number	Note	Part Number	Description	Quantity Per	
				Package	Assembly
1		1088706	Hand Grips (Pair)	2	1
2	B	1088705	Knob, Tiller Speed	1	1
3		1088707	LED Canopy	1	1
4		1102927-NLA	Key Switch with Keys	1	1
4		1088704-NLA	Keys Only (Pair)	2	1
5		1091863	Charger Port - Lynx SX3P, Panther LX4 and Zoom-3	1	1
6		1105920	Tiller Assembly with Harness	1	1
7	C	1101276	Potentiometer	1	1
8		1088708	Lever, Throttle	1	1
9		1105921	Joint Base Assembly	1	1
	A	P755	Throttle Lever Extensions (1 Pair)	2	1
	A	1097017	Decal Kit, Forward/Reverse - Left Hand Operation (Includes: Decal and Instruction Sheet)	1	1
	A	1088794	Tiller Hardware - All Models Includes: 2 each Bolt (M6 x 1.0 x 35) 2 each Nut, Self-Lock (6 x 10 x 8) 1 each Washer (8 x 39 x 2) 1 each Washer (8 x 39 x 1.6) 1 each Bolt (M8 x 1.25 x 50) 1 each Washer (8 x 22 x 2) 1 each Nut, Self-Lock (8 x 1.25 x 13)	1	1
<p>NOTE: A - Not Shown B - This Knob is used on all tiller models - it is not shown on some. C - The Throttle Lever is included with this item. If the tiller for this part is for is not a "Delta" tiller, please contact the technical services department for instructions on replacing this item.</p>					

Controller and Harnesses

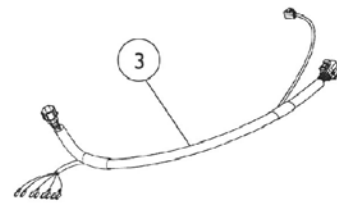
**CONTROLLER
(All Models)**



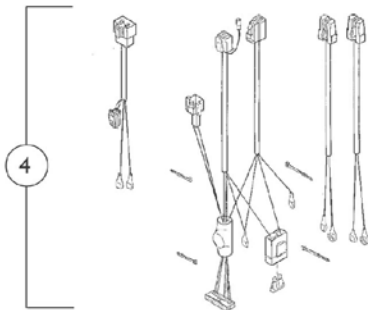
**INTERMEDIATE HARNESS
(STANDARD Tillers)**



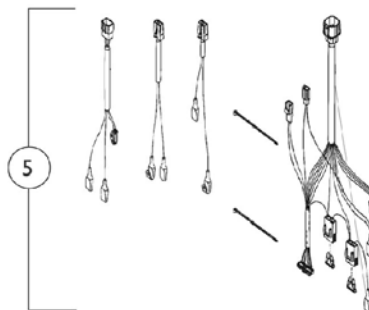
**INTERMEDIATE HARNESS
(DELTA Tillers)**



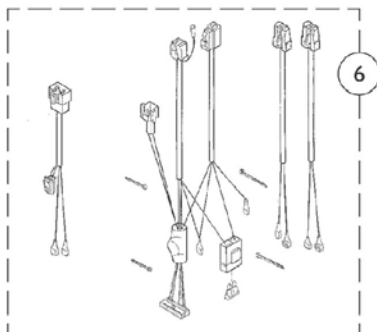
**CONTROLLER HARNESSSES
(STANDARD Tillers) ⌚ Before 01/02**



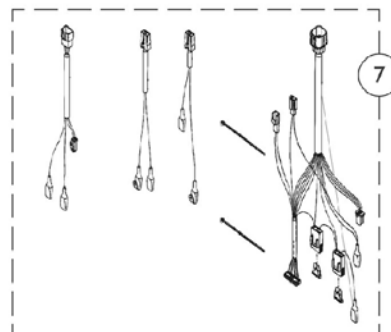
**CONTROLLER HARNESSSES
(DELTA Tillers) ⌚ Before 01/02**



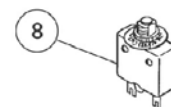
**CONTROLLER HARNESSSES
(STANDARD Tillers) ⌚ After 12/01**



**CONTROLLER HARNESSSES
(DELTA Tillers) ⌚ After 12/01**



**CIRCUIT
BREAKER
(All Models)**



⌚ Panther MX4 scooters were not affected by the controller change. MX4 scooters will continue to use harness items 4 or 5 regardless of date manufactured.

Controller and Harnesses

Item Number	Note	Part Number	Description	Quantity Per	
				Package	Assembly
1		See Chart	#1 Controllers	1	1
2		1090496	Harness, Intermediate - Standard Tillers, Lynx SX3P/ SX3/ LX3 and Panther LX4	1	1
2		1105923	Harness, Intermediate - Standard Tillers, Zoom-3	1	1
2		1090497	Harness, Intermediate - Standard Tillers, Panther MX4	1	1
3		1104352	Harness, Intermediate - Delta Tillers, Lynx LX3 Plus, Panther LX4/ MX4	1	1
4	B	1088749	Harnesses, Controller - Standard Tillers, Lynx SX3P/ SX3/ LX3 and Panther LX4	1	1
4		1105924	Harness, Controller - Standard Tillers, Zoom-3	1	1
4	C	1088781	Harnesses, Controller - Standard Tillers, Panther MX4	1	1
5	B	1104353	Harness, Controller - Delta Tillers, Lynx LX3 Plus & Panther LX4	1	1
5	C	1104354	Harness, Controller - Delta Tillers, Panther MX4	1	1
6	D	1111764	Harnesses, Controller - Standard Tillers, Lynx LX3 Plus and Panther LX4	1	1
7	D	1111765	Harnesses, Controller - Delta Tiller, Lynx LX3 Plus and Panther LX4	1	1
8		1088748	Circuit Breaker, 30 AMP - Lynx SX3P/ SX3/ LX3/ LX3 Plus, Panther LX4 and Zoom-3	1	1
8		1088780	Circuit Breaker, 40 AMP - Panther MX4	1	1
	A	1112236	Fuse, 5 Amp.	1	1
	A	1098892	Fuse, 15 Amp. (Buss ATC-15)	1	1

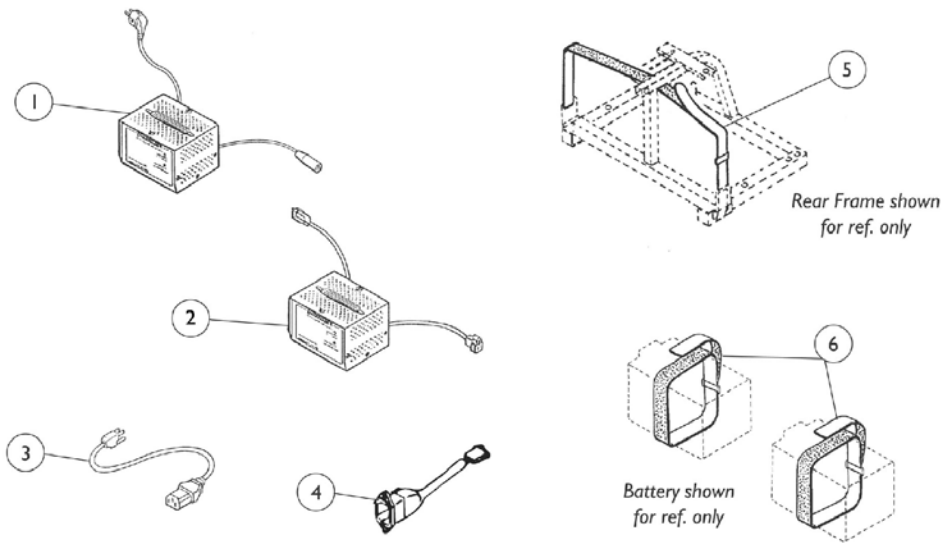
NOTE: A - Not Shown
 B - Scooters built Before 01/02
 C - Panther MX4 scooters were not affected by the controller change, MX4 scooters will continue to use harness items 4 or 5 regardless of date manufactured.
 D - Scooters built After 12/01

#1 Controllers with Attaching Hardware

Tiller Style	SX3P/SX3 LX3/LX4 Before 1/02	SX3P/SX3/LX3 After 12/01	LX3 Plus and Panther LX4 Before 1/02	LX3 Plus and Panther LX4 After 12/01	Panther MX4	Zoom-3
Standard	1088713	1107105 See Note(s) A	N/A	N/A	1088714	1107104
Delta	N/A	N/A	1106219-NLA	1118794	1106220	N/A

NOTE: A - Panther LX4 scooters were not available with Standard Tillers After 12/01.

Battery Harnesses and Chargers



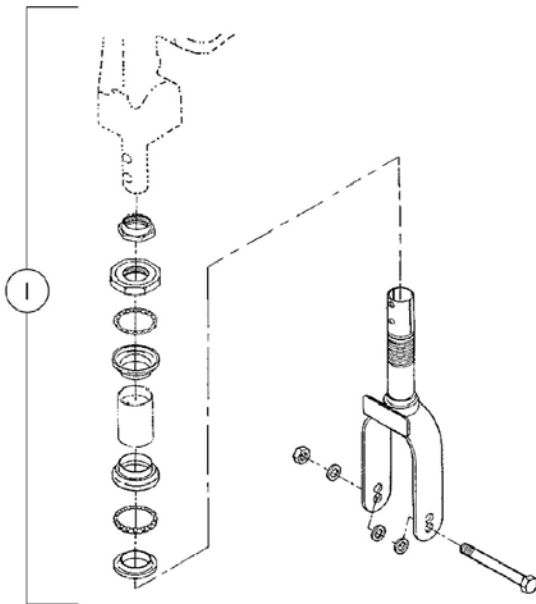
Battery Harnesses and Chargers

Item Number	Note	Part Number	Description	Quantity Per	
				Package	Assembly
1		1105925	Battery Charger, Off Board - Zoom-3 (2 Amp.)	1	1
1		1088743-NLA	Battery Charger, Off Board - Lynx SX3P and Panther LX4 (3 Amp.)	1	1
2		1088744	Battery Charger, On Board - Lynx SX3/ LX3/ LX3 Plus and Panther MX4	1	1
3		1088745	Charger Cord, AC	1	1
4		1099754	Charging Cable, On Board with Hardware (Lynx SX3/ LX3/ LX3 Plus and Panther MX4) Includes: 1 ea. Charging Cable, 2 ea. Screw, Phillips Pan Head (M3 x 0.5 x 16) 2 ea. Washer (3.2 x 10 x 0.8) 2 ea. Locknut (M3 x 0.5 x 6) 2 ea. Cable Tie 1 ea. Tube, PVC (19 x 20 x 260L)	1	1
5		1088741	Strap, Battery Fastening (All Models)	1	1
6		1088742	Carrying Strap, Battery	2	1
	A	1088750	Harness, Battery Cable (Positive/ Negative) - Lynx SX3P/ SX3/ LX3/ LX3 Plus and Panther LX4	1	1
	A	1105926	Harness, Battery Cable (Positive/ Negative) - Zoom-3	1	1
	A	1088751	Harness, Battery Cable (Positive/ Negative) - Panther MX4	1	1

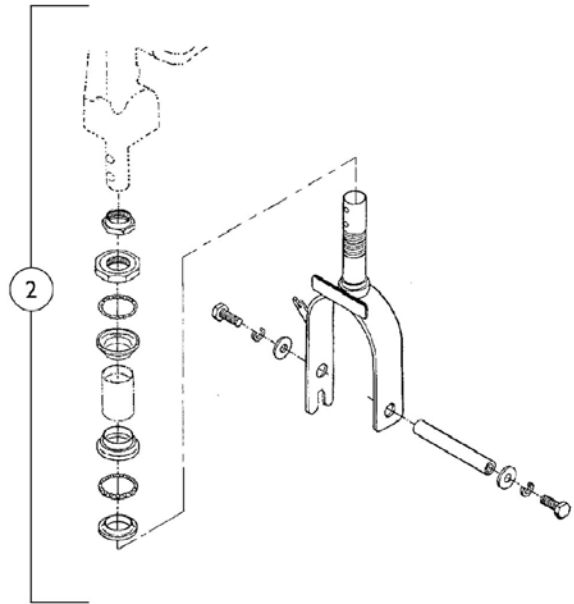
NOTE: A - Not Shown

Forks and Hardware

**Lynx SX3P/SX3
Zoom-3**



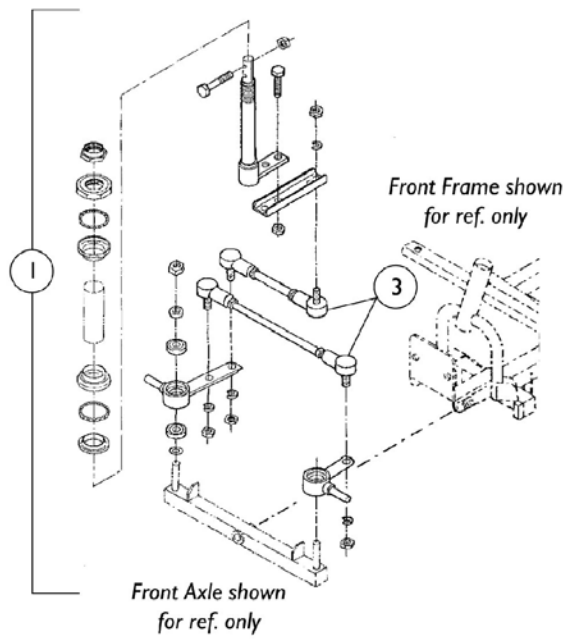
Lynx LX3/LX3^{Plus}



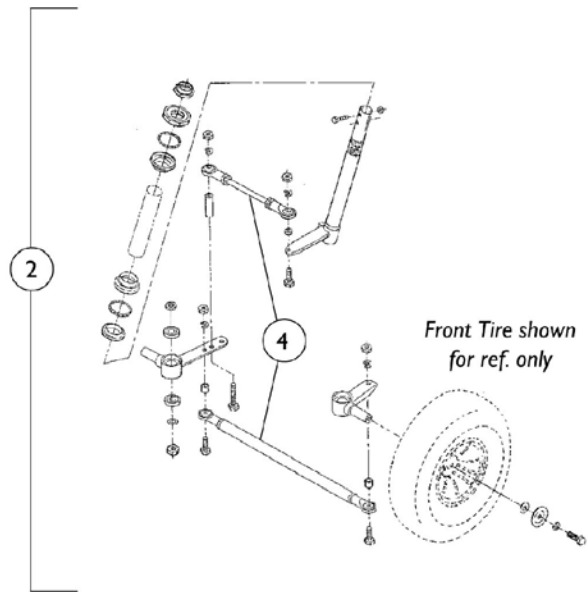
Item Number	Note	Part Number	Description	Quantity Per	
				Package	Assembly
1		1088725	Fork with Bearings and Hardware	1	1
2		1088724	Fork with Bearings and Hardware	1	1

Steering Assembly

Panther LX4



Panther MX4

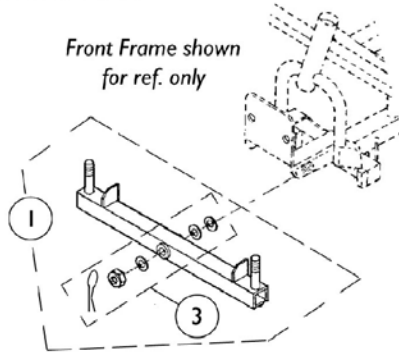


Steering Assembly

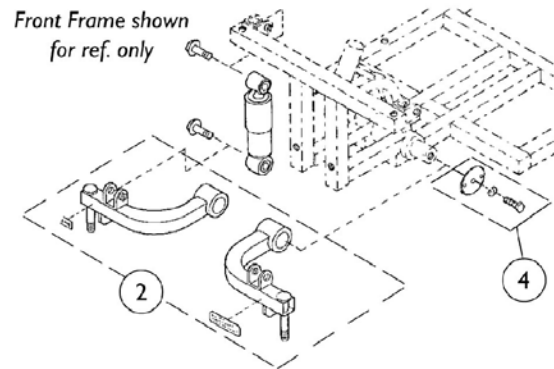
Item Number	Note	Part Number	Description	Quantity Per	
				Package	Assembly
1		1088726	Steering Assembly	1	1
2		1088727	Steering Assembly	1	1
3		1088787	Tie Rods, Panther LX4 (Pair - 1 Long, 1 Short)	2	1
4		1088766	Tie Rods, Panther MX4 (Pair - 1 Long, 1 Short)	2	1
	A	1088798	Steering Hardware - Panther LX4 Includes: 2 each Bolt (M6 x 1.0 x 35) 2 each Nut, Self-Lock (6 x 10 x 8) 2 each Nut, Self-Lock (8 x 13) 2 each Bolt (M8 x 1.25 x 20) 1 each U-Plate	1	1
	A	1091141	Steering Hardware - Panther MX4 Includes: 2 each Bolt (M6 x 1.0 x 35) 2 each Nut, Self-Lock (6 x 10 x 5) 1 each Screw, Hex (M8 x 1.25 x 30) 1 each Washer (8.1 x 13 x 3) 4 each Nut, Self-Lock (8 x 1.25 x 13) 2 each Screw, Hex (M8 x 1.25 x 35) 2 each Spacer (12 x 8) 1 each Screw, Hex (M8 x 1.25 x 60) 1 each Spacer (12 x 35)	1	1
NOTE: A - Not Shown					

Front Axle Assembly

Panther LX4

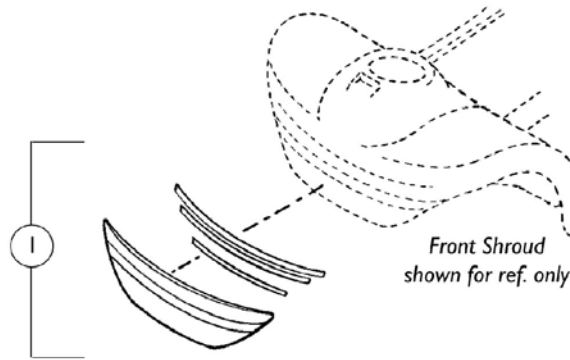


Panther MX4



Item Number	Note	Part Number	Description	Quantity Per	
				Package	Assembly
1		1088785	Front Axle Assembly, Panther LX4	1	1
2		1088783	Front Axle Assembly, Panther MX4	1	1
3		1088799	Hardware, Front Axle , Panther LX4 Includes: 3 each Washer (12 x 21 x 1/2) 1 each Nut, Self-Lock (12 x 19) 1 each Pin, Split (2-1/2 x 18)	1	1
4		1091145	Hardware, Front Axle, Panther MX4 Includes: 2 each Washer (8 x 45 x 3) 2 each Washer, Spring (8 x 13) 2 each Bolt (M8 x 1-1/4 x 20)	1	1

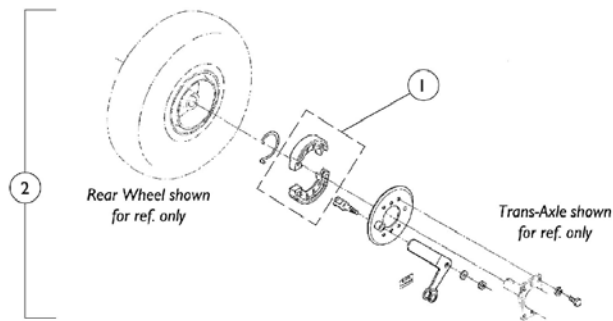
Front Bumper Cover - Panther LX4



Item Number	Note	Part Number	Description	Quantity Per	
				Package	Assembly
1		1088786-NLA	Cover, Front Bumper, Panther LX4	1	1

Disc Brake Assembly - Panther MX4

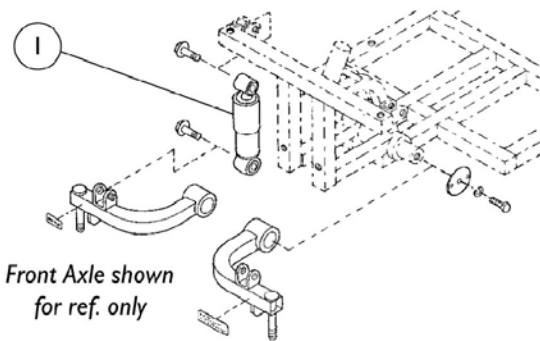
Available Only on Standard Tiller Models (Before S/N 00F623495)



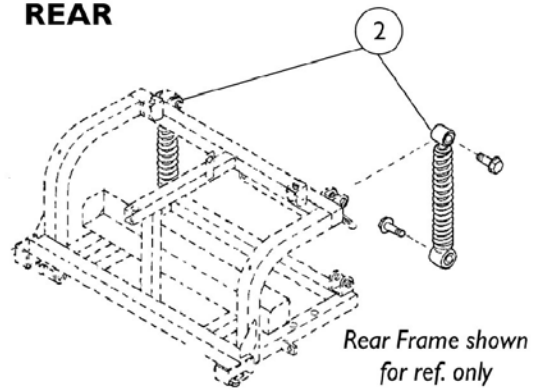
Item Number	Note	Part Number	Description	Quantity Per	
				Package	Assembly
1		1088789	Disc Brake Shoes (1 Pair)	2	1
2		1088784	Disc Brake Assembly - Panther MX4 (Includes: Brakes Shoes and Attaching Hardware)	1	1

Shocks - Panther MX4

FRONT



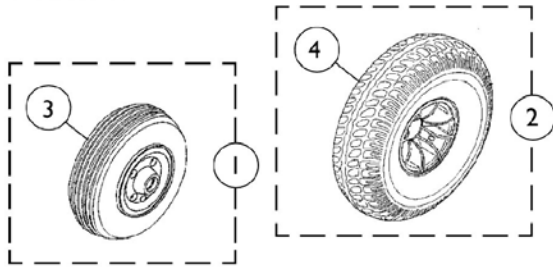
REAR



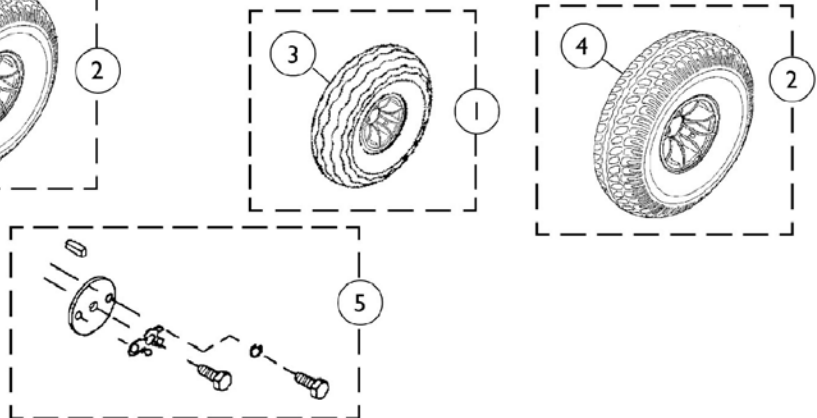
Item Number	Note	Part Number	Description	Quantity Per	
				Package	Assembly
1		1088728	Shock Absorbers, Front (1 Pair) (Includes: All Attaching Hardware)	2	1
2		1088729	Shock Absorbers, Rear (1 Pair) (Includes: All Attaching Hardware)	2	1

Wheels

**Lynx SX3P/SX3
Zoom-3**



**Lynx LX3/LX3^{Plus}
Panther LX4/MX4**



Wheels

Item Number	Note	Part Number	Description	Quantity Per	
				Package	Assembly
1		See Chart	#1 Front Wheel Assembly	1	1
2		See Chart	#2 Rear Wheel Assembly	1	1
3	C	1088715	Tire with Foam Fill, Front	1	1
3	D	1088716	Tire with Foam Fill, Front	1	1
3	A	1088717	Tire with Foam Fill, Front	1	1
4	B	1088718	Tire with Foam Fill, Rear	1	1
4	C,D	1088720	Tire with Foam Fill, Rear	1	1
4	A	1088722	Tire with Foam Fill, Rear	1	1
5		1105922	Hardware, Wheel Attaching (1 Pair)	2	1

NOTE: A - Panther MX4
 B - Lynx SX3P/SX3 and Zoom-3
 C - Lynx LX3/LX3 Plus
 D - Panther LX4

#1 Front Wheel Assembly

(Includes Tire, Hub, Rims, and Hardware)

Lynx SX3P/SX3 and Zoom-3 (2-1/2 x 7")	Lynx LX3/LX3 Plus (2-1/2 x 9")	Panther LX4 Red Rim (3 x 10")	Panther LX4 Gold Rim (3 x 10")	Panther MX4 Gold Rim (4 x 12")
1088723	1090490	1090491	1090492	1090493

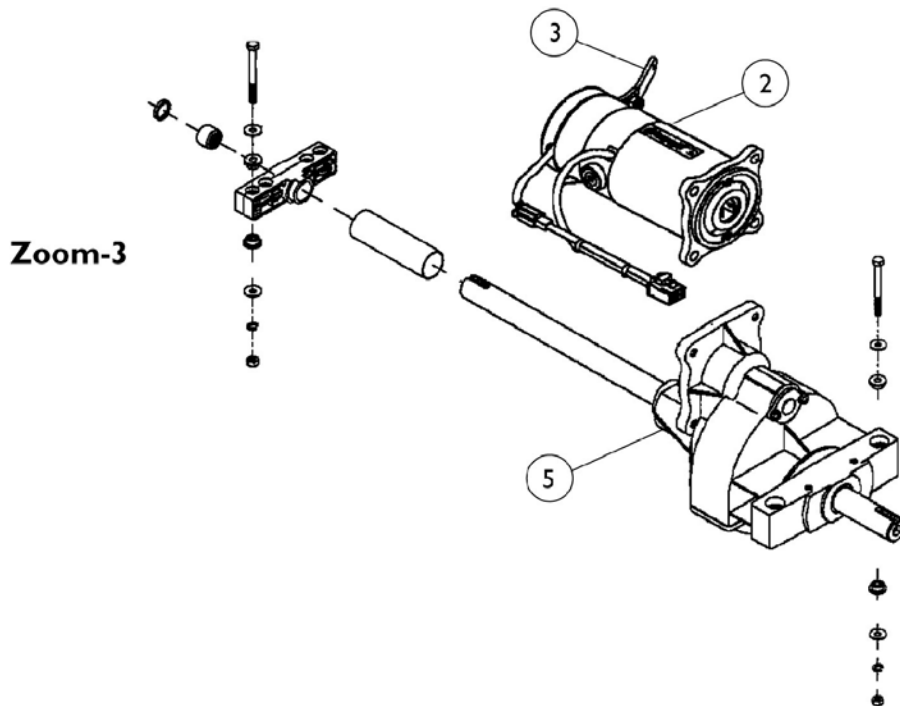
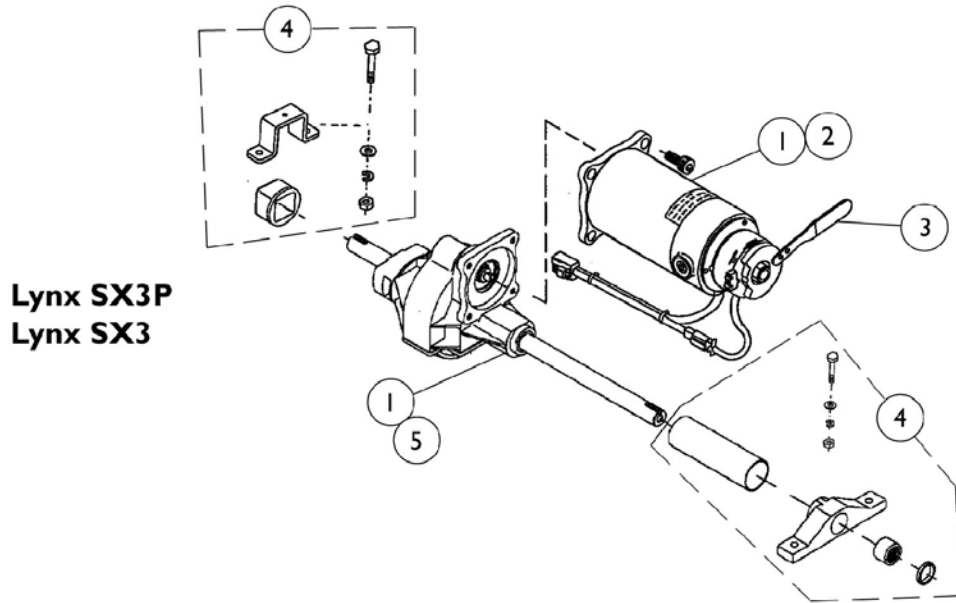
#2 Rear Wheel Assembly

(Includes Tire, Hub, Rims, Washers, and Screws)

Rim Color	Lynx SX3P Zoom-3 (3 x 8")	Lynx SX3 (3 x 8")	Lynx LX3/LX3 Plus Panther LX4 (3 x 10")	Panther MX4 w/ Non Brake Hub (4 x 12") - Right	Panther MX4 w/ Brake Hub (4 x 12") - Left
Black	1090487	N/A	N/A	N/A	N/A
Red	N/A	1090488-NLA	1100516	N/A	N/A
Gold	N/A	1090489-NLA	1100517	1090494	1090495

Trans-Axle Assembly

Lynx SX3P/SX3 and Zoom-3



Trans-Axle Assembly Lynx SX3P/SX3 and Zoom-3

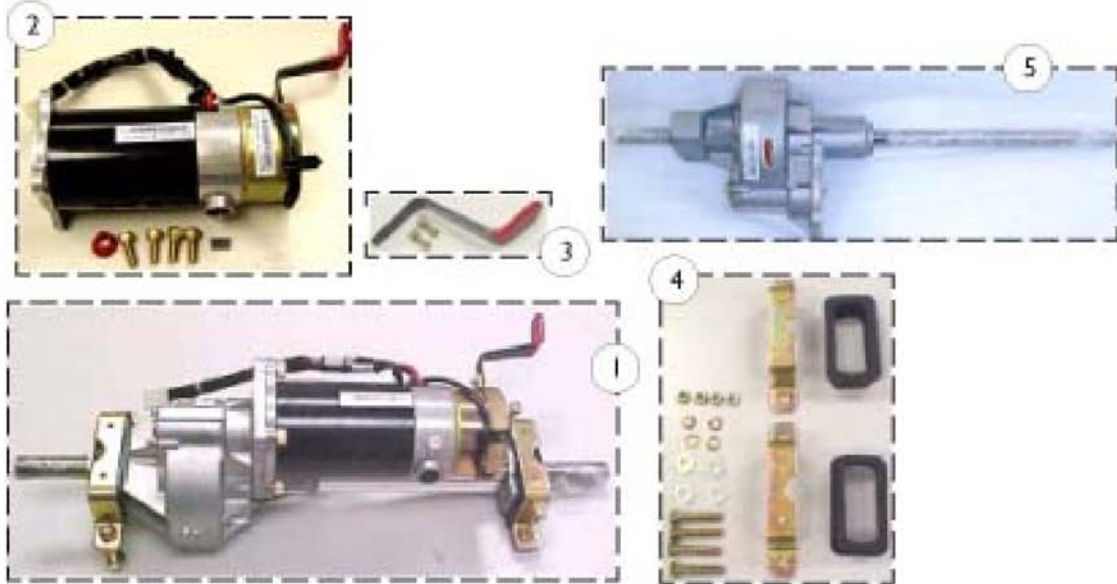
Item Number	Note	Part Number	Description	Quantity Per	
				Package	Assembly
1	B	1088730	Trans-Axle w/ Motor and Brake (Lynx SX3P/ SX3)	1	1
2		1088733	Motor and Brake - Lynx SX3P/ SX3	1	1
2		1105928	Motor and Brake - Zoom-3	1	1
3		1088737	Lever, Brake Release - Lynx SX3P/ SX3	1	1
3		1105929	Lever, Brake Release - Zoom-3	1	1
4		1088795	Trans-Axle Hardware - Lynx SX3P/ SX3	1	1
			Includes: (2 ea) Rubber, (1 ea) Bracket, (2 ea) Bolt (M8 x 1-1/4 x 55), (2 ea) Bolt (M8 x 1.25 x 45), (4 ea) Washer (8 x 2 x 22), (4 ea) Spring Washer (8 x 13), and (4 ea) Self-Lock Nut (M8 x 13).		
5	B	1099709	Trans-Axle - Lynx SX3P/ SX3	1	1
5		1105927	Trans-Axle w/ Hardware - Zoom-3	1	1
	A	1099736	Brush, Motor (Pair)	2	1
NOTE: A - Not Shown B - This part does NOT include the hardware.					

Trans-Axle Assembly

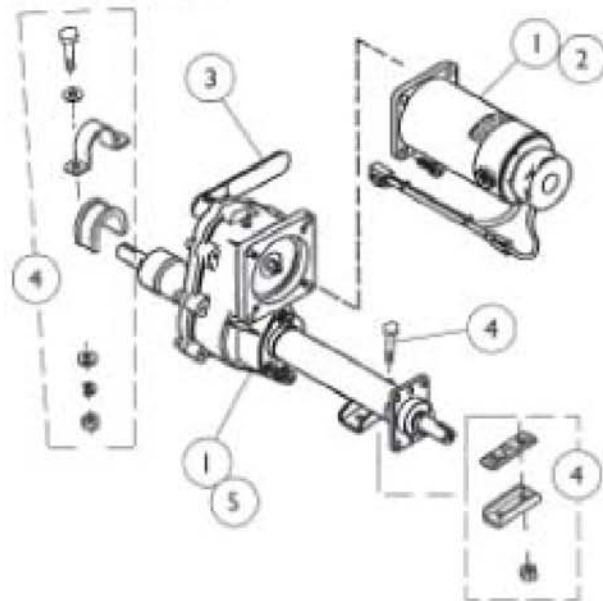
Lynx LX3/LX3Plus

Panther LX4/MX4

Lynx LX3/LX3Plus
Panther LX4



Panther MX4



Trans-Axle Assembly

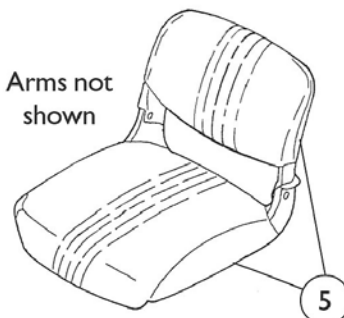
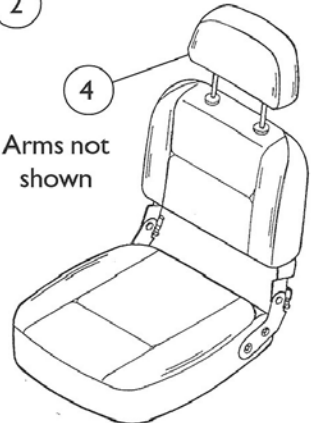

Lynx LX3/LX3Plus

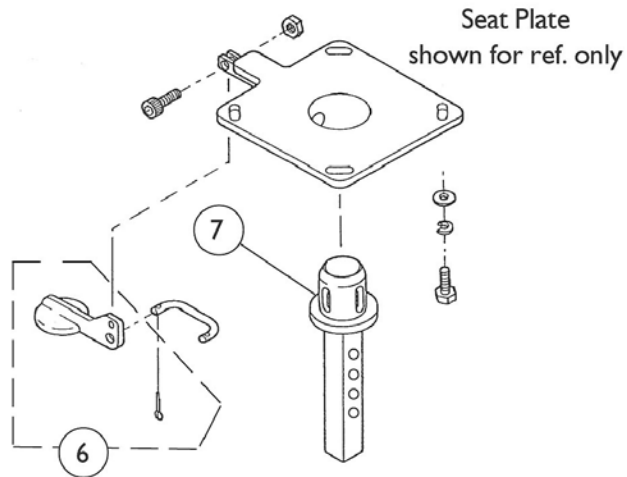
Panther LX4/MX4

Item Number	Note	Part Number	Description	Quantity Per	
				Package	Assembly
1		1088731	Trans-Axle w/ Motor and Brake - Lynx LX3/ LX3Plus and Panther LX4	1	1
1		1088732-NLA	Trans-Axle w/ Motor and Brake - Panther MX4	1	1
2		1088734	Motor and Brake - Lynx LX3/ LX3 Plus and Panther LX4	1	1
2		1088736	Motor and Brake - Panther MX4	1	1
3		1088739	Lever, Brake Release - Lynx LX3/ LX3 Plus and Panther LX4	1	1
3		1088740	Lever, Brake Release - Panther MX4	1	1
4		1091136	Trans-Axle Hardware - Lynx LX3/ LX3 Plus and Panther LX4 Includes: 2 each Rubber 2 each Bracket 4 each Bolt (M8 x 1-1/4 x 45) 4 each Washer (8 x 22 x 2) 4 each Washer, Spring (8 x 13) 4 each Nut, Self-Lock (8 x 13)	1	1
4		1091142	Trans-Axle Hardware - Panther MX4 Includes: 1 each Rubber 1 each Bracket 1 each Bracket 1 each Rubber 2 each Bolt (M8 x 1.25 x 45) 2 each Screw (M8 x 1.25 x 50) 4 each Washer (8 x 22 x 2) 2 each Washer, Spring (8 x 13) 4 each Nut, Self-Lock (8 x 1.25 x 13)	1	1
5		1099710	Trans-Axle - Lynx LX3/ LX3 Plus and Panther LX4	1	1
5		1099711	Trans-Axle - Panther MX4	1	1
	A,B	1099736	Brush, Motor (Pair)	2	1
NOTE: A - Not Shown B - Brushes are for use on Motors manufactured before December 2002; any Motor Manufactured after December 2002, a new Motor will need to be ordered.					

Seat Assembly

Lynx SX3P/SX3/LX3/LX3 Plus Panther LX4/MX4

<p>①</p>  <p>Arms not shown</p>	<p>②</p>  <p>Arms not shown</p>	<p>③</p>  <p>Arms not shown</p>
<p>Contour Cloth Seat (Includes: Arms and Seat Plate)</p>	<p>Deluxe Vinyl Seat (Includes: Arms and Seat Plate)</p>	<p>Deluxe Vinyl Extra Wide Seat (Includes: Arms and Seat Plate)</p>



Seat Assembly

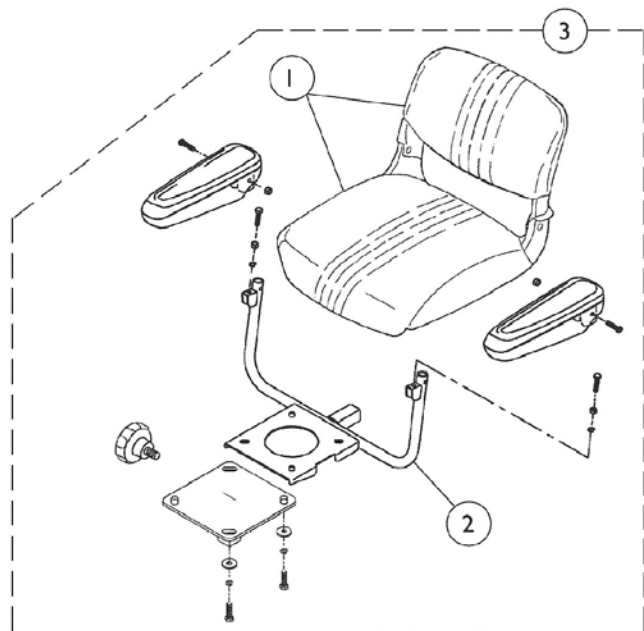
Lynx SX3P/SX3/LX3/LX3 Plus Panther LX4/MX4

Item Number	Note	Part Number	Description	Quantity Per	
				Package	Assembly
1	A	1088753	Seat Assembly, Contour Cloth - Lynx SX3P/ SX3/ LX3	1	1
2	A	1088754	Seat Assembly, Deluxe Vinyl - Lynx LX3/ LX3 Plus	1	1
2	A	1091861	Seat Assembly, Deluxe Vinyl with Sliders - Panther LX4	1	1
3	A	1088755	Seat Assembly, Deluxe Extra Wide Vinyl w/ Sliders - Panther MX4	1	1
4		1088759-NLA	Headrest, Vinyl (Black and White) - Lynx LX3/ LX3 Plus and Panther LX4/ MX4	1	1
4		1106211-NLA	Headrest, Vinyl (Gray) - Lynx LX3/ LX3 Plus and Panther LX4/ MX4	1	1
5		1088757	Upholstery w/ Foam, Contour Seat and Back, Lynx SX3P/ SX3/ LX3 and Zoom-3 - Cloth	1	1
5		1088758	Upholstery with Foam, Contour Seat, and Back	1	1
6		1088756	Handle, Seat Swivel with Pin	1	1
7		1102926	Seat Post, Adjustable Height	1	1
	B	P715	Strap, Seat Positioning - All Models	1	1

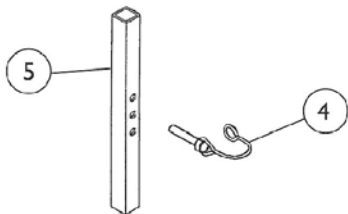
NOTE: A - Seat Assembly includes Arms and Seat Plate
B - Not Shown

Seat Assembly

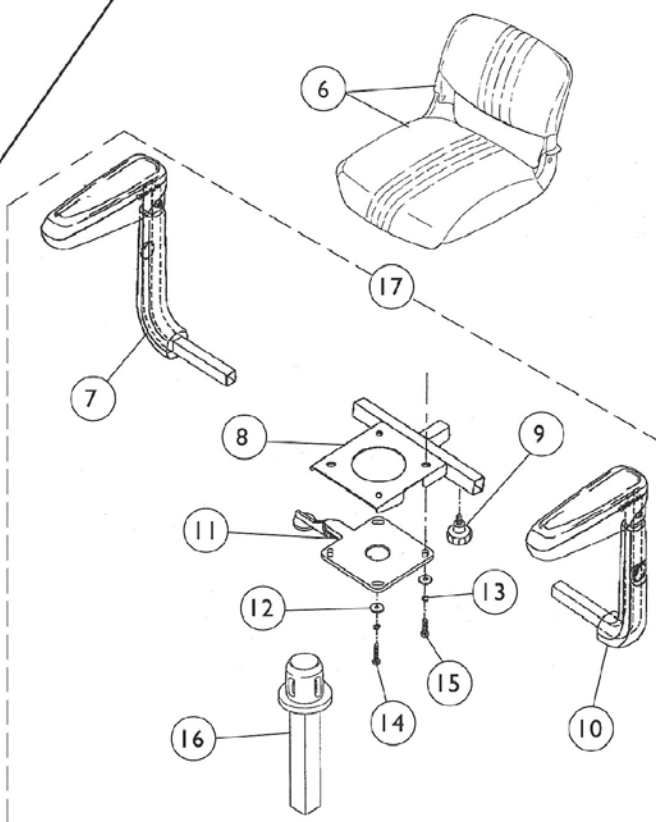
Zoom-3



Non Swivel Seat



Swivel Seat



Seat Assembly Zoom-3

Item Number	Note	Part Number	Description	Quantity Per	
				Package	Assembly
1		1088757	Upholstery w/ Foam, Contour Seat and Back, Lynx SX3P/ SX3/ LX3 and Zoom-3 - Cloth	1	1
2		1105933	Seat Stand, Non-Swivel	1	1
3	A	1105930	Seat Assembly, Non-Swivel (Cloth)	1	1
4		1105932	Pin, Connecting	1	1
5		1105931	Post, Seat	1	1
6		1116938-NLA	Seat Assembly, Cloth	1	1
7	B	1116930	Arm Assembly -Right	1	1
8		1088762	Seat Stand, Swivel	1	1
9		1088768	Knob, Lower Arm Tightening	1	2
10	B	1116929	Arm Assembly -Left	1	1
11		1116932	Swivel, Seat	1	1
12		1116933	Washer	1	4
13		1116934	Washer, Spring	1	4
14		1116935	Screw, Hex Head Cap (M8 x 1.25 x 35)	1	2
15		1116936	Screw, Hex Head Cap (M8 x 1.25 x 30)	1	2
16		1102926	Seat Post, Adjustable Height	1	1
17	C	1116939	Swivel Seat Conversion Kit	1	1
	D	1118357	Instruction Sheet, Swivel Seat Conversion Kit	1	1

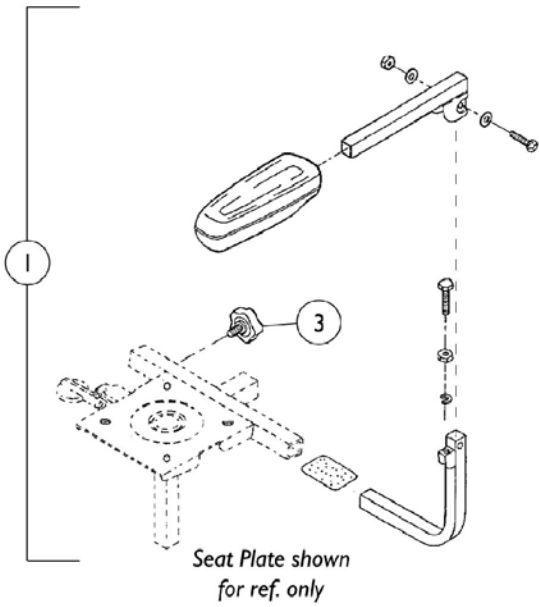
NOTE: A - Seat Assembly includes items 1-2 plus Seat Stand, Adaptor, Seat Knob, Arm Pads, and Hardware.
 B - Includes Arm Tube and Arm Pad
 C - Includes items 7-16 plus Instruction Sheet
 D - Not Shown

Arm Assembly

Arms for Zoom-3 models are included with the Zoom-3 Seat Assembly.

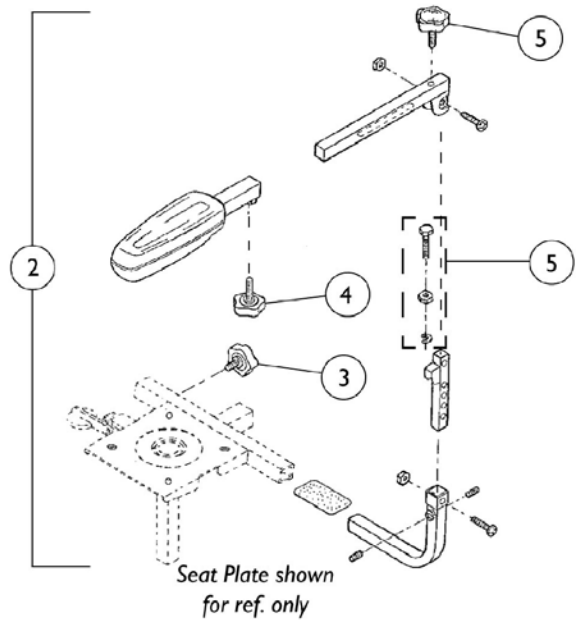
Lynx SX3P
Lynx SX3
Lynx LX3

**Contour Seats
(Fixed Height)**



Lynx LX3^{Plus}
Panther LX4
Panther MX4

**Deluxe Seats
(Adjustable Height)**



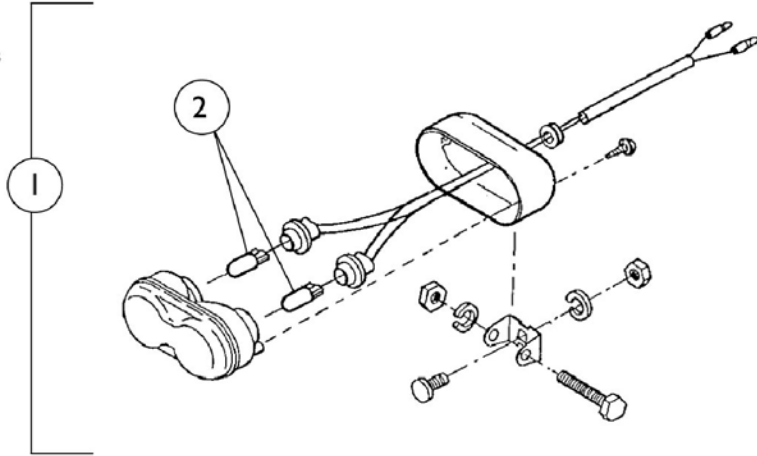
Arm Assembly

Arms for Zoom-3 models are included with the Zoom-3 Seat Assembly.

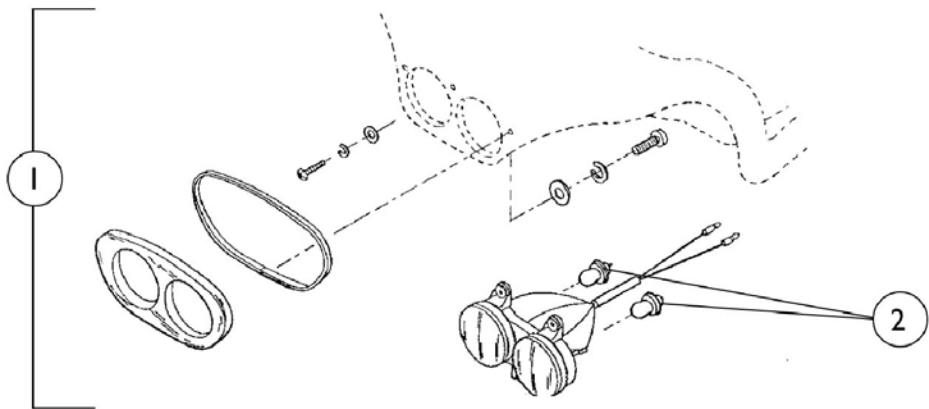
Item Number	Note	Part Number	Description	Quantity Per	
				Package	Assembly
1	A	1088763	Arm Assembly, Contour Seat (Fixed Height), Lynx SX3P/ SX3/ LX3	2	1
2	A	1088764	Arm Assembly, Deluxe Seat (Adjustable Height), Lynx LX3 Plus and Panther LX4/ MX4	2	1
3		1088768	Knob, Lower Arm Tightening	1	2
4		1088769	Knob, Upper Arm Tightening	1	2
5	B	1088770	Knob, Angle Adjustment - Before S/N 00E412823	1	2
5	B	1101279	Hardware, Arm Angle Adjustment, After S/N 00E412822	1	2
	C	1088796	Arm Hardware, Contour Seat Includes: 1 each Washer, Spring (8 x 13) 2 each Nut (M8 x 13) 1 each Screw, Hex (M8 x 1-1/4 x 35) 2 each Washer (8.6 x 20.8 x 1) 1 each Screw (M8 x 1.25 x 40)	1	1
	C	1091143	Arm Hardware, Deluxe Seat Includes: 2 each Screw (M8 x 1-1/4 x 8) 1 each Screw (M8 x 1-1/4 x 40) 2 each Nut, Self-Lock (8 x 1-1/4 x 13) 1 each Screw (M8 x 1.25 x 32)	1	1
<p>NOTE: A - Arm Assembly does NOT include Adjustment Knobs (Item 3, 4 and 5). They must be ordered separately B - Due to a design change the Angle Adjustment Knob has been replaced by Arm Angle Adjustment Hardware C - Not Shown</p>					

Headlight Assembly

**Lynx LX3/LX3^{Plus}
Panther LX4**



Panther MX4



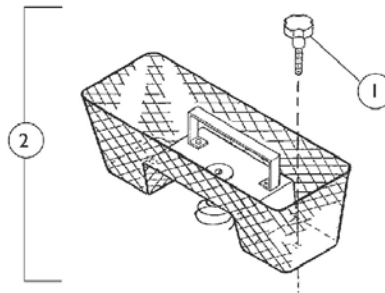
Headlight Assembly

Item Number	Note	Part Number	Description	Quantity Per	
				Package	Assembly
1		1088771	Head Light Assembly - Lynx LX3/ LX3 Plus and Panther LX4	1	1
1		1088772	Head Light Assembly - Panther MX4	1	1
2		1088773	Bulbs, Head Light - Lynx LX3/ LX3 Plus and Panther LX4	2	1
2		1091868	Bulbs, Head Light - Panther MX4	2	1
	A	1088735	Head Light Hardware - Lynx LX3/ LX3 Plus Includes: 1 each Plate 2 each Bolt, (M6 x 1.0 x 35) 2 each Nut, Self-Lock (6 x 10 x 8)	1	1
	A	1091144	Head Light Hardware - Panther MX4 Includes: 1 each Screw (M4 x 0.7 x 15) 1 each Washer, Spring (4 x 7 x 1.25) 3 each Washer (4 x 12 x 0.8) 1 each Screw (M4 x 0.7 x 80) 2 each Washer (6 x 18 x 1.6) 2 each Washer, Spring (6 x 10) 2 each Screw, Nylock (M6 x 1.0 x 16)	1	1
NOTE: A - Not Shown					

Baskets

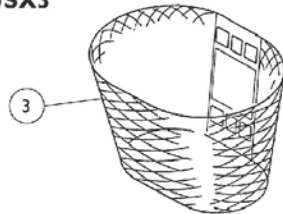
Floor Basket

Lynx SX3P/SX3
Lynx LX3/LX3^{Plus}
Panther LX4/MX4

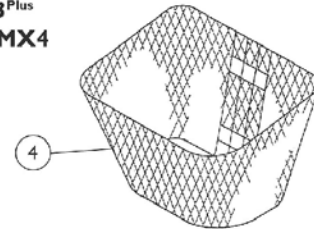


Tiller Basket

Lynx SX3P/SX3
Zoom-3



Lynx LX3/LX3^{Plus}
Panther LX4/MX4



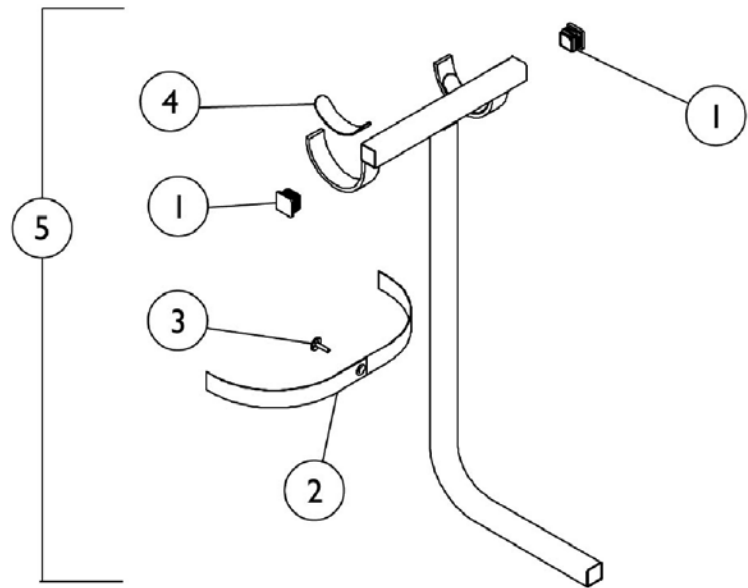
Item Number	Note	Part Number	Description	Quantity Per	
				Package	Assembly
1		1088791	Knob, Basket Release	1	2
2		1088775-NLA	Floor Basket, (Includes: Spring, Handle, and Knobs)	1	1
3		1111311	Tiller Basket - Lynx SX3P/ SX3 and Zoom-3	1	1
4		1090465	Tiller Basket - Lynx LX3/ LX3 Plus and Panther LX4/ MX4	1	1

Accessories

Part Number	Description	Package Quantity
12AH-2 See Note(s) A	Batteries, 12 Volt -12 Amp Hour (Zoom-3)	2
U1GEL-2 See Note(s) A	Batteries, 12 Volt -31 Amp Hour (Lynx LX3/LX3Plus and Panther LX4)	2
17AH See Note(s) A	Batteries, 12 Volt -17 Amp Hour (Lynx SX3P/SX3)	2
40AH-2 See Note(s) A	Batteries, 12 Volt -40 Amp Hour (Panther MX4)	2
P725	Crutch/ Cane Holder	1
P730	Crutch/ Cane Holder - Panther MX4	1
P735	Mirror, Rear View, Standard Tiller Models	1
P736	Mirror, Rear View, Delta Tiller Models	1
P700 P750 See Note(s) B	Oxygen Holder	1
P780	Rear Basket - Lynx SX3P/ SX3/ LX3, Zoom-3 and Panther LX4 w/ Contour Seat	1
P785	Rear Basket - Lynx SX3P/ SX3 and LX3 Plus with Deluxe Seat	1
P790	Rear Basket - Panther LX4/ MX4 with Deluxe Seat	1
P710	Flag, Safety	1
P715	Strap, Seat Positioning - All Models	1
P755	Throttle Lever Extensions (1 Pair)	2
P770 P775 See Note(s) C	Walker Holder	1
NOTE: A - Batteries are an Equipment Item and are shown for reference only. B - See Oxygen Holder page for details. C - See Walker Holder page for details.		

Accessories

WALKER HOLDER



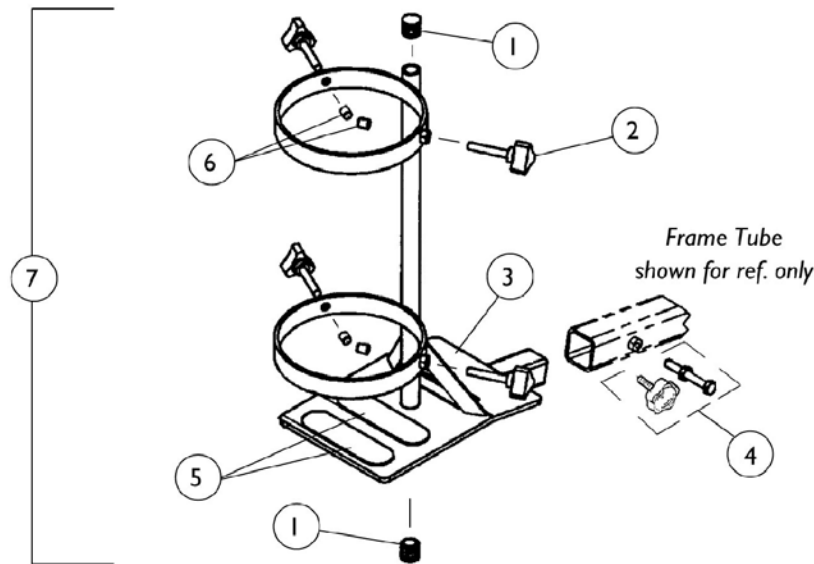
Accessories

Walker Holder

Item Number	Note	Part Number	Description	Quantity Per	
				Package	Assembly
1		1055662	Plug Button, Square, Black (1-1/8")	1	2
2		1032222	Strap	1	1
3		1076284	Screw w/ washer (#10 x 7/8")	1	1
4		1072003	Pad, Non-Skid Adhesive Back	1	2
5		P775	Walker Holder Assembly, Deluxe Seats	1	1
5		P770	Walker Holder Assembly	1	1
	A	2000454	Bag, Poly (33" W x 39" L)	1	1
	A	1098305	Instruction Sheet, Walker Holder	1	1
	A	1061434	Carton	1	1
	A	See Chart	Accessories	1	1

NOTE: A - Not Shown

Accessories - Oxygen Holder



Item Number	Note	Part Number	Description	Quantity Per	
				Package	Assembly
1		1035614	Plug Button, Black (5/8")	1	2
2		1027684	Knob, Clamping (Black)	1	4
3		1080866	Decal, Oxygen Warning - English	1	1
3		1090093	Decal, Oxygen Warning - French Canadian	1	1
3		1092793	Decal, Oxygen Warning - Domestic Spanish	1	1
4	C	1088765	Fastener Hardware, Accessory Tube Includes: 1 ea. Tighten Knob 1 ea. Screw, Hex Cap (M10 x 25) 1 ea. Nut (M10 x 1.25 x 17)	1	1
5		1072004	Pad, Non-Skid Adhesive Back	1	2
6	A	1086780	Package, Protective Caps	10	1
7	C	P750	Oxygen Holder Assembly - Deluxe Seats (Includes Items 1-3, 5-6)	1	1
7	C	P700	Oxygen Holder Assembly	1	1
	B	2000454	Bag, Poly (33" W x 39" L)	1	1
	B	1091305	Instruction Sheet, Oxygen Holder	1	1
	B	1083052	Carton, Shipper	1	1

NOTE: A - 4 Protective Caps are included with Oxygen Holder Assembly, replacements caps are sold in Packages of 10.
 B - Not Shown
 C - Item 4, Fastener Hardware, is NOT included with Oxygen Holder Assembly. Must be ordered separately.

Invacare Corporation

www.invacare.com



Yes, you can.™

One Invacare Way
Elyria, Oh USA
44036-2125
800-333-6900

Technical Support
800-832-4707
Florida Technical Support
407-321-5630

Customer Service
800-333-6900

©2008 Invacare Corporation. Elyria, Ohio.
All rights reserved. Trademarks are
identified by the symbols™ and®. All
trademarks are owned by or licensed to
Invacare Corporation unless otherwise
noted. (Rev. 06/02/08)

Form No. 99-142