

Spyder™



Parts Catalog Usage Guide

The information contained in this document is subject to change without notice. This catalog contains service parts for Form No. 00-87. If you have any questions regarding this catalog, please contact one of our Customer Service Representatives.

For Customer Service Support Call:

1-800-333-6900

For Faxed In Orders Call:

1-800-678-4682 or

1-440-366-0709

For Technical Service Call:

1-800-832-4707

Literature Can Be Found at:

www.invacare.com or

1-800-828-6272

SYMBOL DEFINITION

Throughout this catalog you will notice letters to draw your attention to specific footnotes which are located at the bottom of the page or below specified charts.

Examples:

A,B,C etc. = Special Comments

NOTE: = General information pertaining to that specific page

NLA = No Longer Available

HARDWARE MEASUREMENTS

The measurements for the hardware will be listed as follows:

Screws, Bolts Diameter X Thread Count/Pitch X Length

Washers Inside Diameter X Outside Diameter X Thickness

Spacers Inside Diameter X Outside Diameter X Length

For your convenience, we have supplied an area for you to list your Invacare Representatives.

Name	Phone Numbers

©2007 Invacare Corporation. Elyria, Ohio. Invacare, Yes, you can., and the Medallion Design are registered trademarks and Spyder is a trademark of Invacare Corporation. KIK is a registered trademark of KIK Technology, Inc.

TABLE of CONTENTS

Description	Page Number
Accessories, Miscellaneous	72
Arms - "T" Arms and Hardware	23
Arms - Half Arms	21
Axle and Axle Mounting Plates	30
Back Canes	12
Back Upholstery - Adjustable Tension	16
Back Upholstery - Slip On	14
Caster Forks	26
Caster Wheels and Hardware	28
Fabric Clothing Guards	68
Folding Mechanism	10
Footplate and Pivot Tube Assemblies - 1651 Composite	53
Footplate, Adjustable Angle Footplate with Pivot Tube - AT5543	58
Footplate, Pivot Tube and Hardware - 1651 Composite	51
Footplate, Pivot Tube and Hardware - A1562/A1564 Aluminum	62
Footrest Support Assemblies	45
Frame Finishes and Touch-Up Paint	4
Frames, Seat Rails, and Hardware	7
Handrim Hardware	40
Handrims	38
Heel Loops and Toe Loops	64

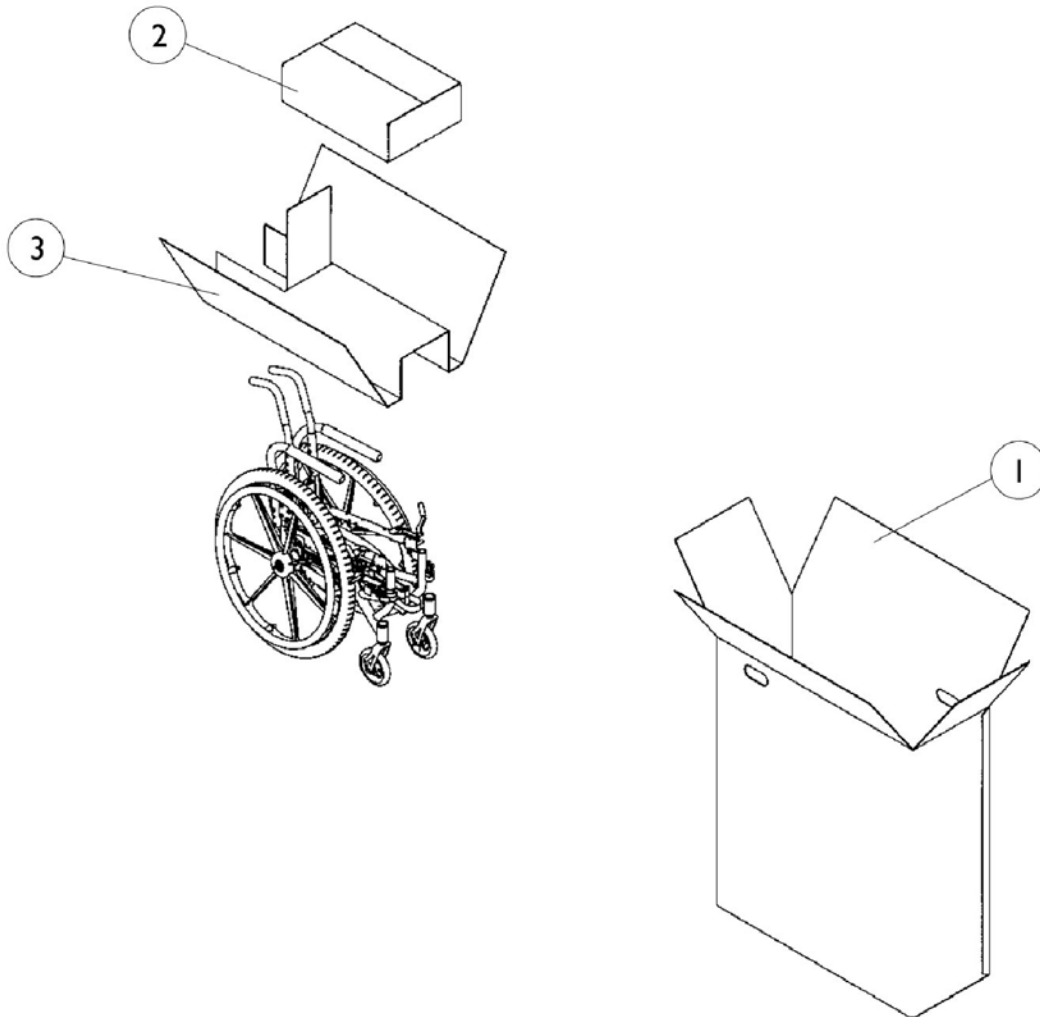
TABLE of CONTENTS

Description	Page Number
Legrest Calf Pads and Ratchet Assembly	49
Legrest Support Assemblies - AT5044	47
Packaging, Literature, and Decals	5
Rigid Side Guards	70
Seat Upholstery	19
Tubular Footplates	56
Wheel Lock - Undermount	43
Wheel Lock, Hill Holder and Shoe Spacers	41
Wheels with Handrims - Spoke	36
Wheels without Handrims - Composite	32
Wheels without Handrims -Spoke	33

Frame Finishes and Touch-Up Paint

Color Number	Touch Up Paint	Color
22P	1033376	Anthracite
102P	1101327	Denim Blue
62P	1046320	Electric Blue
61P	1046321	Electric Red
104P	1101316	Electric Teal
80P	1073892	Evergreen with Navy
101P	1101325	Jeweled Green
84P	1073896	Lavender
105P	1101326	Midnight Blue
103P	1101324	Mocha Frost
66P	1046322	Electric Purple
33P	1031455	Red
83P	1073895	Royal Blue with Grape
30P	1031448	Sunny Yellow
24P	1031450	Wet Black
88P	N/A	Wet Black w/ Twilight Sparkle
29P	1031447	White

Packaging, Literature, and Decals



Packaging, Literature, and Decals

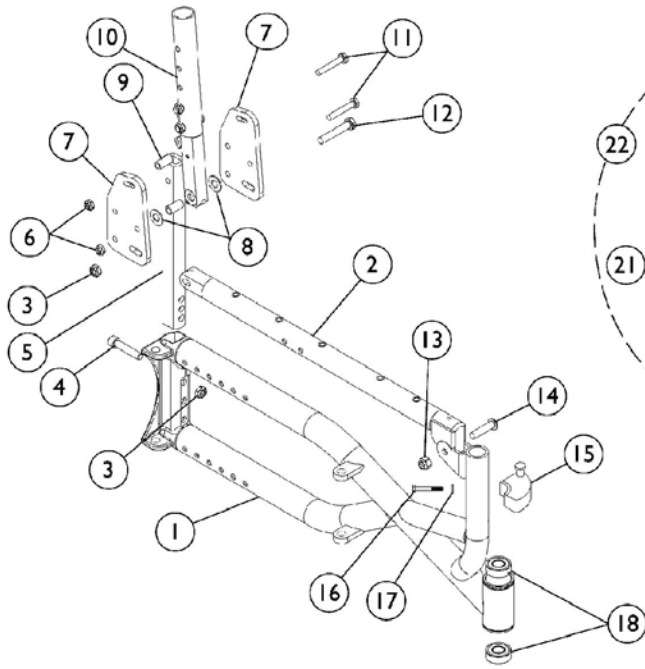
Item Number	Note	Part Number	Description	Quantity Per	
				Package	Assembly
1		1019825	Carton	1	1
2		1023164-NLA	Carton	1	1
3		40131X041	Insert, Top	1	1
	A	1095715	Decals White	1	2
	A	1095716	Decals Black	1	2
	A	1093830	Owner's Manual	1	1

NOTE: A - Not Shown

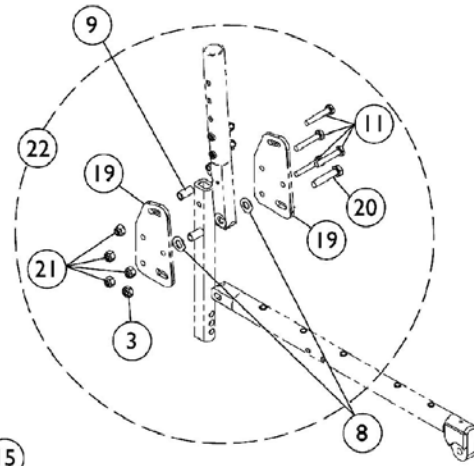
When adjusting or replacing parts please refer to your Owner's Manual for assistance.

Frames, Seat Rails, and Hardware

Before 11/15/00



After 11/14/00



Frames, Seat Rails, and Hardware

Item Number	Note	Part Number	Description	Quantity Per	
				Package	Assembly
1		See Chart	#1 Side Frames	1	1
2		See Chart	#2 Seat Rails	1	1
3		1028769	Locknut (5/16-18)	1	1
4		1021344	Screw, Socket Head Cap (5/16-18 x 1-1/2")	1	1
5		1091396	Upright Rear	1	1
6		7930334	Locknut (1/4-28)	25	2
7	A	1087109	Bracket Angle	1	2
8		1049527	Washer, Nylon (3/8 x 3/4 x 1/16")	1	2
9		1095731	Spacer (1/4 x 3/8 x 3/4")	1	2
10		1095740	Rear Upright with Latch (Short 12"-14" High) Right	1	1
10		1095741	Rear Upright with Latch (Short 12"-14" High) Left	1	1
10		1097045	Rear Upright with Latch (Tall 14"-20" High) Right	1	1
10		1097046	Rear Upright with Latch (Tall 14"-20" High) Left	1	1
11		1055347	Screw, Hex Head (1/4-28 x 1-1/2")	1	2
12		1044939	Screw, Hex Head (5/16-18 x 1-3/4")	1	1
13		1026906	Locknut (5/16-24)	1	1
14		1093803	Screw Allen Head (5/16-24 x 1-1/4")	1	1
15		1054571	Kit, Sector Block - Right	1	1
15		1054572	Kit, Sector Block - Left	1	1
16		1026907	Washer (1/4 x 1/2 x 1/16")	1	1
17		1052957	Screw, Hex Head (1/4-20 x 2")	1	1
18		40117X021	Bearing (1/2" I.D. x 1-1/8" O.D.)	1	2
19	B	1098181	Bracket Angle	1	2
20		1070398	Screw, Hex Head Cap (5/16-18 x 1-1/2")	1	1
21		7930345	Locknut (1/4-28)	25	4
22	B,C	1104169	Frame Hardware	1	1

NOTE: A - Before 11/15/00
 B - After 11/14/00
 C - Includes items 3, 11, 19, 20, and 21. Does NOT include items 8 and 9

#1 Side Frames

	Chair Depth				
	14"	15"	16"	17"	18"
Right	8881093668	8881093672	8881091065	8881093678	8881093682
Left	8881093669	8881093673	8881091066	8881093679	8881093683

Specify frame color when ordering.

#2 Seat Rails

	Chair Depth

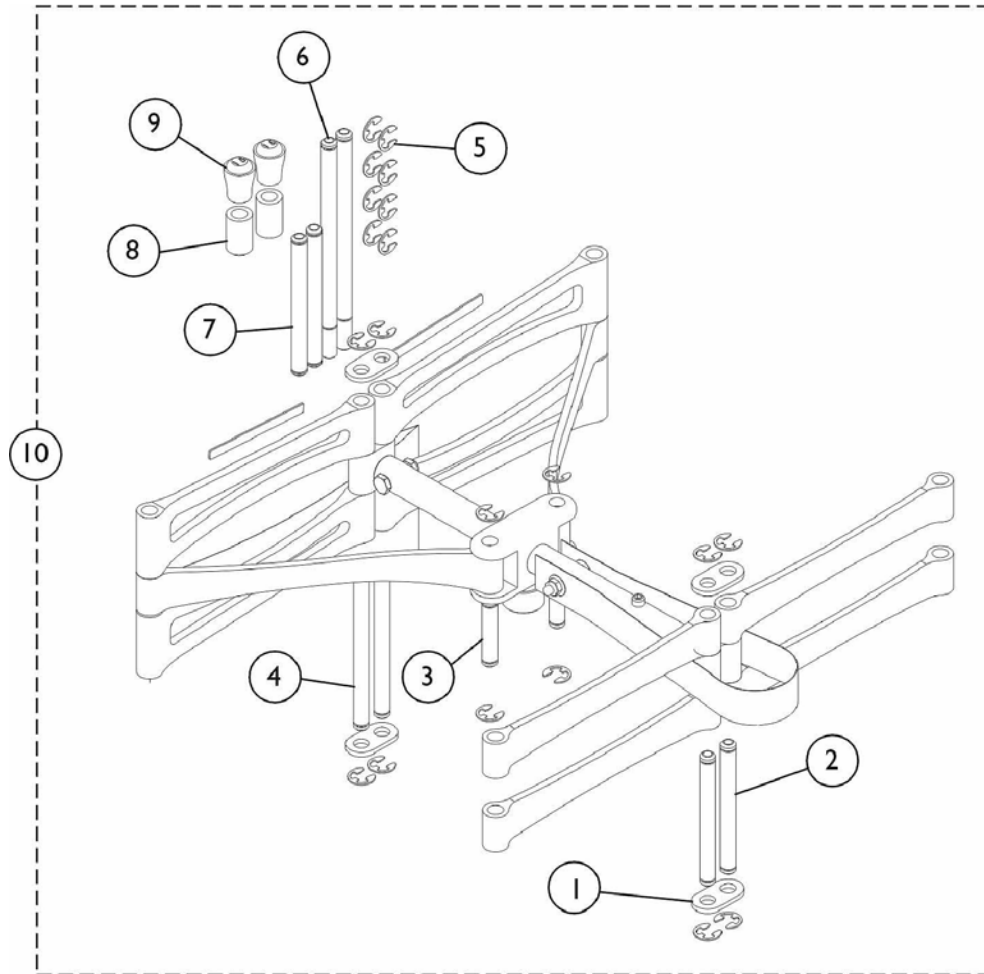
Frames, Seat Rails, and Hardware

#2 Seat Rails

		Chair Depth		
14"	15"	16"	17"	18"
8881090767	8881093788	8881093789	8881093790	8881093791

Specify frame color when ordering.

Folding Mechanism



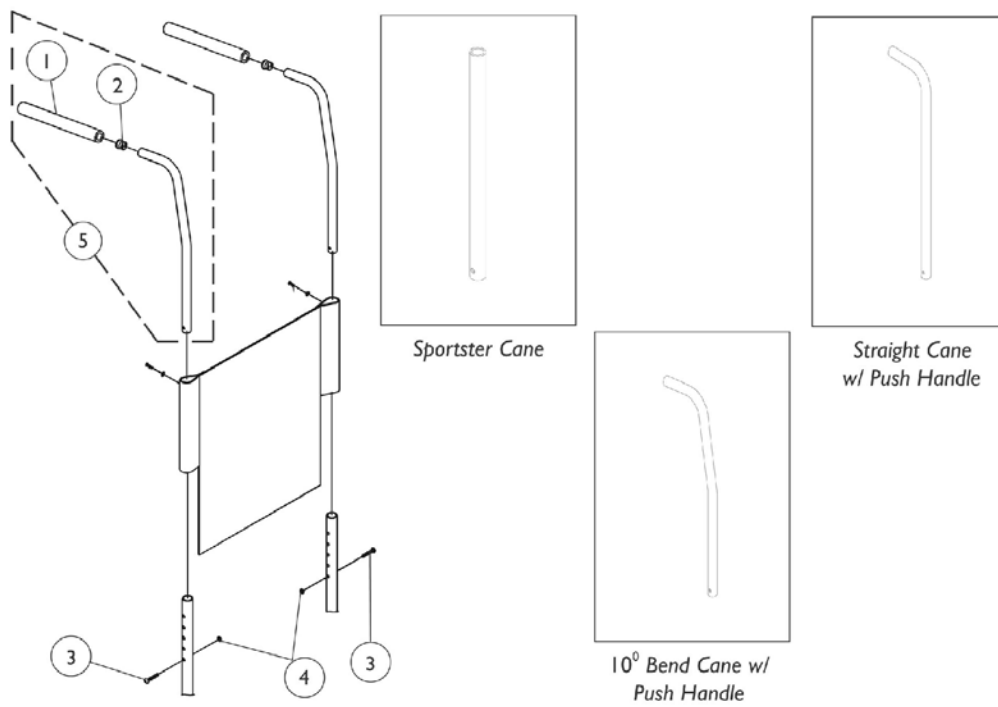
Folding Mechanism

Item Number	Note	Part Number	Description	Quantity Per	
				Package	Assembly
1		1092994	Hinge, Plate	1	4
2		1093527	Bushing, Front Inner	1	2
3		1093026	Bushing, Slider	1	2
4		1092996	Bushing, Rear Inner	1	2
5		1093762	Retaining Ring	1	20
6		1092995	Bushing, Rear Outer	1	2
7		1093528	Bushing, Front Outer	1	2
8		1095720	Spacer, Nylon	1	2
9		1095721	Bumper, Frame	1	2
10		See Chart	#10 Folding Mechanism	1	1

#10 Folding Mechanism Assembly

Chair Width	14" Seat Depth	15" Seat Depth	16" Seat Depth	17" Seat Depth	18" Seat Depth
14"	1098135	1098136	1098137	1098138	1098139
15"	1098140	1098141	1098142	1098143	1098144
16"	1098145	1098146	1098147	1098148	1098149
17"	N/A	1098150	1098151	1098152	1098153
18"	N/A	1098154	1098155	1098156	1098157
19"	N/A	N/A	1098158	1098159	1098160
20"	N/A	N/A	N/A	1098161	1098162

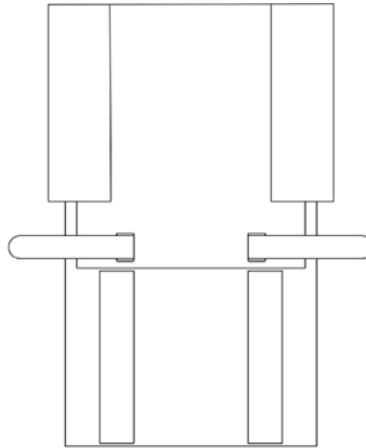
Back Canes



Back Canes

Item Number	Note	Part Number	Description	Quantity Per	
				Package	Assembly
1		1006229	Grip, Foam (8")	1	1
2		1027097	Plug Button, Black (3/4")	1	1
3		1008432	Screw, Button Head Socket (1/4-20 x 1-1/4")	1	1
4		1025195	Locknut (1/4-20)	1	1
5		1026971	0	2	2
5		1093821	Back Cane with Grip Straight (12"-14" High)	1	2
5		1095738	Back Cane with Grip Straight (14"-18" High)	1	2
5		1095739	Back Cane w/ Grip 10 Degree Bend (16"-18" High)	1	2
5		1095734	Back Cane w/ Grip 10 Degree Bend (20" High)	1	2

Slip On Back Upholstery



Back Upholstery
- Nylon

Chair Width	Back Height				
	8-12"	10-14"	12-16"	14-18"	16-20"
14"	1026795	1026802	1043539	1026809	1026816
15"	1026796	1026803	1043540	1026810	1026817
16"	1026797	1026804	1043541	1026811	1026818
17"	1026798	1026805	1043542	1026812	1026819
18"	1026799	1026806	1042983	1026813	1026820
19"	1026800	1026807	1043543	1026814	1026821
20"	1026801	1026808	1043544	1026815	1026822

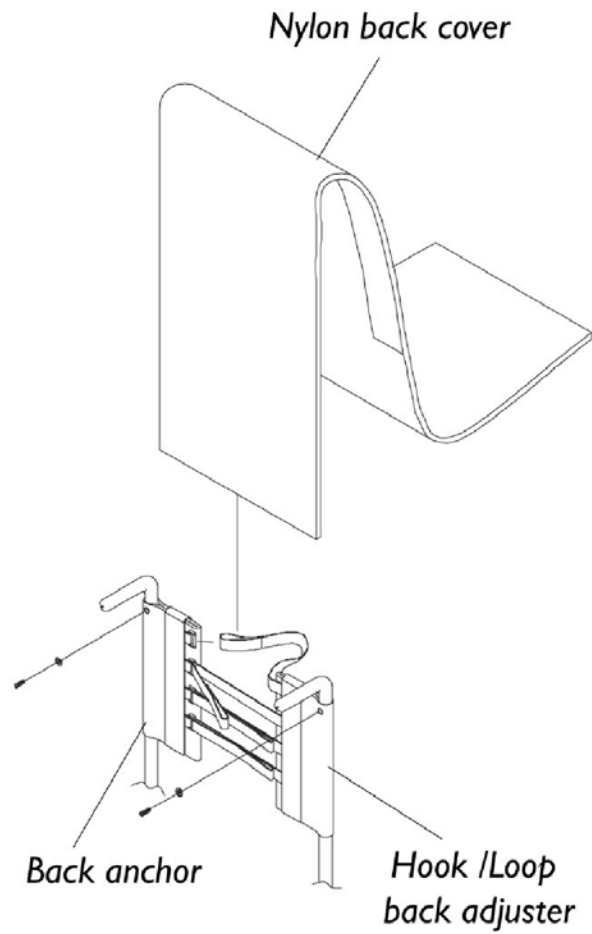
Slip On Back Upholstery

Back Upholstery Hardware

Item Number	Note	Part Number	Description	Quantity Per	
				Package	Assembly
	A	1026298	Screws with Washers (#10 x 7/8")	2	1
	A	See Chart	Back Upholstery	1	1

NOTE: A - Not Shown

Adjustable Tension Back Upholstery



Adjustable Tension Back Upholstery

Back Height	Seat Width	Back Anchor	Hook & Loop Adjuster	Back Cover	Back Assembly See Note(s) A
10-14"	14"	1046287	1046284	1037929	1079103
10-14"	15"	1046287	1046284	1037930	1079104
10-14"	16"	1046287	1046284	1037931	1079105
10-14"	17"	1046287	1046285	1037932	1079106
10-14"	18"	1046287	1046285	1037933	1079107
10-14"	19"	1046287	1046286	1037934	1079108
10-14"	20"	1046287	1046286	1037935	1079109
12-16"	14"	1037916	1037925	1037918	1039478
12-16"	15"	1037916	1037925	1037919	1039479
12-16"	16"	1037916	1037925	1037920	1039480
12-16"	17"	1037916	1037917	1037921	1039481
12-16"	18"	1037916	1037917	1037922	1039482
12-16"	19"	1037916	1037926	1037923	1039483
12-16"	20"	1037916	1037926	1037924	1039484
14-18"	14"	1037720	1037736	1037722	1039485
14-18"	15"	1037720	1037736	1037723	1039486
14-18"	16"	1037720	1037736	1037724	1039487
14-18"	17"	1037720	1037721	1037725	1039488
14-18"	18"	1037720	1037721	1037726	1039489
14-18"	19"	1037720	1037737	1037727	1039490
14-18"	20"	1037720	1037737	1037728	1039491
16-20"	14"	1046731	1046732	1046735	1046742
16-20"	15"	1046731	1046732	1046736	1046743
16-20"	16"	1046731	1046732	1046737	1046744
16-20"	17"	1046731	1046733	1046738	1046745
16-20"	18"	1046731	1046733	1046739	1046746
16-20"	19"	1046731	1046734	1046740	1046747
16-20"	20"	1046731	1046734	1046741	1046748

NOTE: A - Back Assembly includes Back Anchor, Hook and Loop Adjuster, Back Cover and Instruction Sheet.

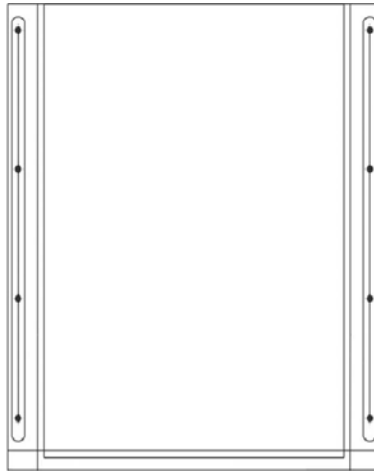
Adjustable Tension Back Upholstery

Adjustable Tension Back Hardware

Item Number	Note	Part Number	Description	Quantity Per	
				Package	Assembly
	A	1026298	Screws with Washers (#10 x 7/8")	2	1
	A	1039470	Instruction Sheet, Adjustable Tension Back Upholstery	1	1
	A	See Chart	Back Upholstery - Adjustable Tension	1	1

NOTE: A - Not Shown

Seat Upholstery



Seat Upholstery
- Sailcloth

Chair Width	Seat Depth				
	14"	15"	16"	17"	18"
14"	1032080	1032081	1032082	1032083	1032084
15"	1032085	1032086	1032087	1032088	1032089
16"	1032090	1032091	1032092	1032093	1032094
17"	1032095	1032096	1032097	1032098	1032099
18"	1032100	1032101	1032102	1032103	1032104
19"	N/A	N/A	1032105	1032106	1032107
20"	N/A	N/A	1032108	1032109	1032110

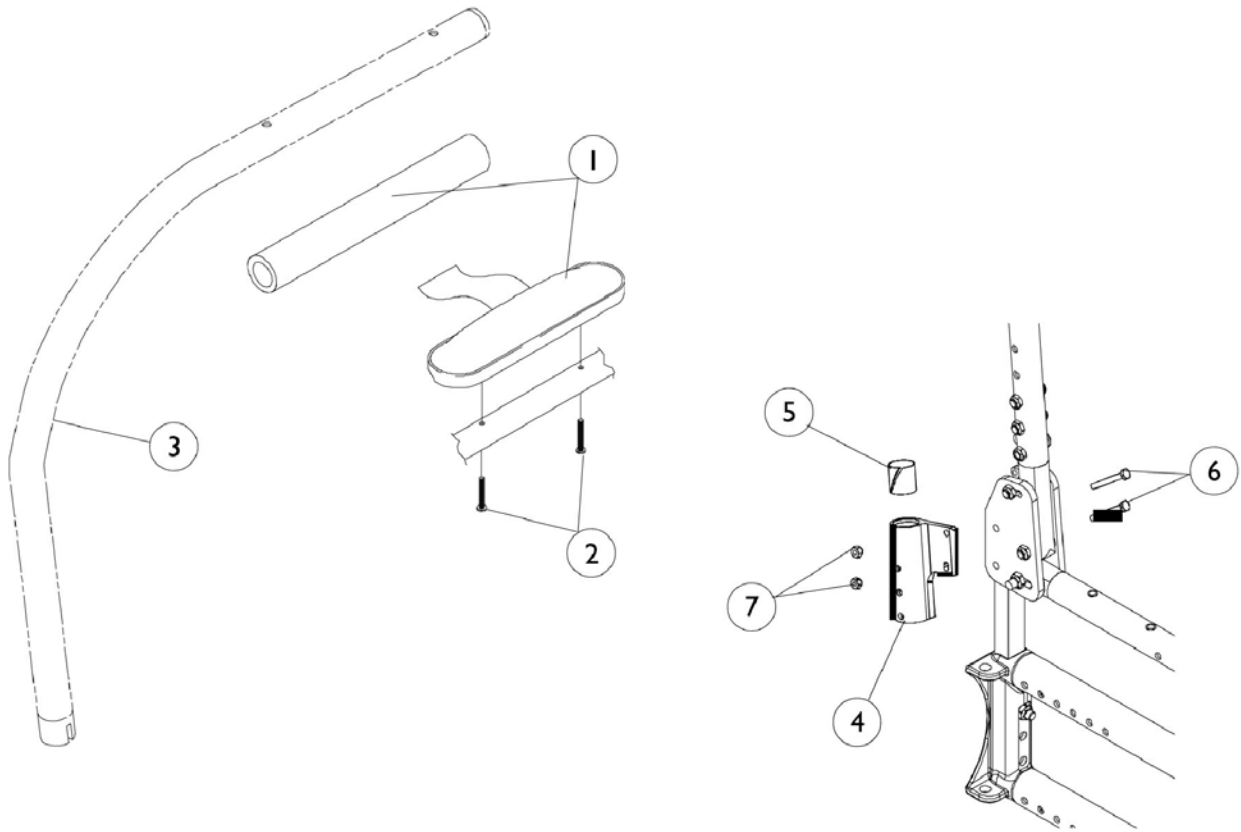
Seat Upholstery

Seat Upholstery Hardware

Item Number	Note	Part Number	Description	Quantity Per	
				Package	Assembly
	A	1026933	Seat Upholstery Hardware Kit - 18" Deep	1	1
	A	See Chart	Seat Upholstery	1	1

NOTE: A - Not Shown

Half Arms and Hardware

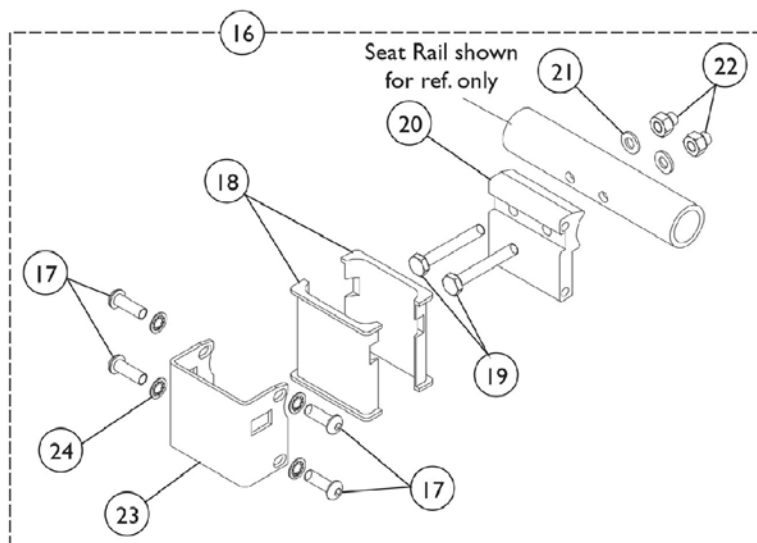
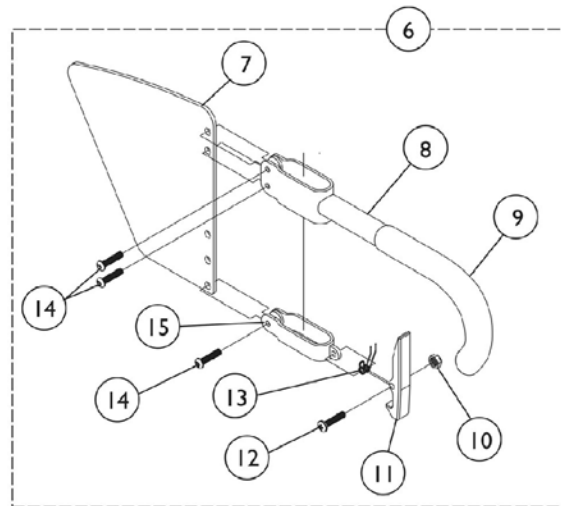
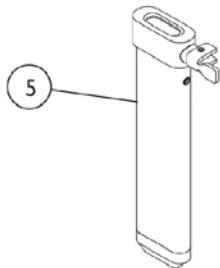
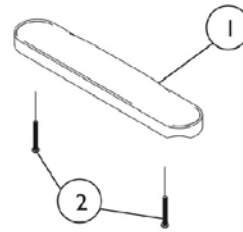
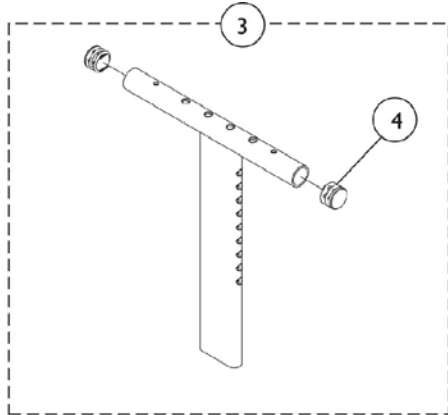


Half Arms and Hardware

Item Number	Note	Part Number	Description	Quantity Per	
				Package	Assembly
1	A	8881011810	Arm Pad - Desk Length	1	1
1		1032244	Grip, Foam Hand (9" Long)	1	1
1		1064064	Grip, Foam -Full Length	1	1
2		1055205	Package, Screw Phillips Head (#10-32 x 1-3/8")	2	1
3		1093828	Half Arm Tube -Right	1	1
3		1093829	Half Arm Tube -Left	1	1
4		1097056	Socket, Half Arm - Right	1	1
4		1097057	Socket, Half Arm - Left	1	1
5		1018687	Sleeve, Bearing	1	1
6		7930341	Screw Hex Head (1/4-28 x 2")	25	2
7		7930345	Locknut (1/4-28)	25	2

NOTE: A - Specify U67 upholstery color when ordering.

"T" Arms and Hardware



"T" Arms and Hardware

Item Number	Note	Part Number	Description	Quantity Per	
				Package	Assembly
1	A	8881011810	Arm Pad - Desk Length	1	1
1	A	8881011813	Arm Pad, Full Length	1	1
2		1026107	Screw, Phillips Pan Head (#10-32 x 1-3/8")	1	2
3		1069639	"T" Arm w/ Plug Buttons, Desk Length - Low Range	1	1
3		1069641	"T" Arm w/ Plug Buttons, Desk Length - High Range	1	1
3		1069643	"T" Arm w/ Plug Buttons, Full Length - Low Range	1	1
3		1069645	"T" Arm w/ Plug Buttons, Full Length - High Range	1	1
4		1027095	Plug Button, Black (7/8")	1	2
5		1069635	Arm Post, Low Range	1	1
5		1069637	Arm Post, High Range	1	1
6		1073424	Kit, Clothing Guard, Low Range - Right	1	1
6		1073425	Kit, Clothing Guard, Low Range - Left	1	1
6		1073422	Kit, Clothing Guard, High Range - Right	1	1
6		1073423	Kit, Clothing Guard, High Range - Left	1	1
7		1069652	Clothing Guard, Low Range	1	1
7		1069651	Clothing Guard, High Range	1	1
8		1069634	Support Tube, Low Range - Right	1	1
8		1073247	Support Tube, Low Range - Left	1	1
8		1069650	Support Tube, High Range - Right	1	1
8		1073246	Support Tube, High Range - Left	1	1
9		1028427	Grip, Foam	1	1
10		1025731	Locknut (#10-32)	1	1
11		1073235	Lock Lever	1	1
12		1025716	Screw, Phillips Head (#10-32 x 11/16")	1	1
13		1073196	Spring	1	1
14		1006773	Screw, Socket Head (1/4-20 x 1/2")	1	3
15		1075069	Clamp, Clothing Guard - Right	1	1
15		1075070	Clamp, Clothing Guard - Left	1	1
16		1069632	Kit, Arm Post Attaching Hardware, Bolt On	1	1
17		1055305	Screw, Button Head Socket Cap (1/4-28 x 3/4")	1	4
18		1069609	Insert, Arm Socket	1	2
19		1055348	Screw, Hex Head Cap (1/4-28 x 1-3/4")	1	2
20		1069629	Bracket, T-Arm Socket (Threaded)	1	1
21		1026907	Washer (1/4 x 1/2 x 1/16")	1	2
22		1085111	Hex Nut (1/4-28)	1	3
23		1069620	Bracket, Socket	1	1
24		1026108	Lockwasher (1/4 x 15/32 x 1/64")	1	4
	B	See Chart	"T" Arm Kits	1	1

NOTE: A - Specify upholstery color U67 Black when ordering.
B - Not Shown

"T" Arms and Hardware

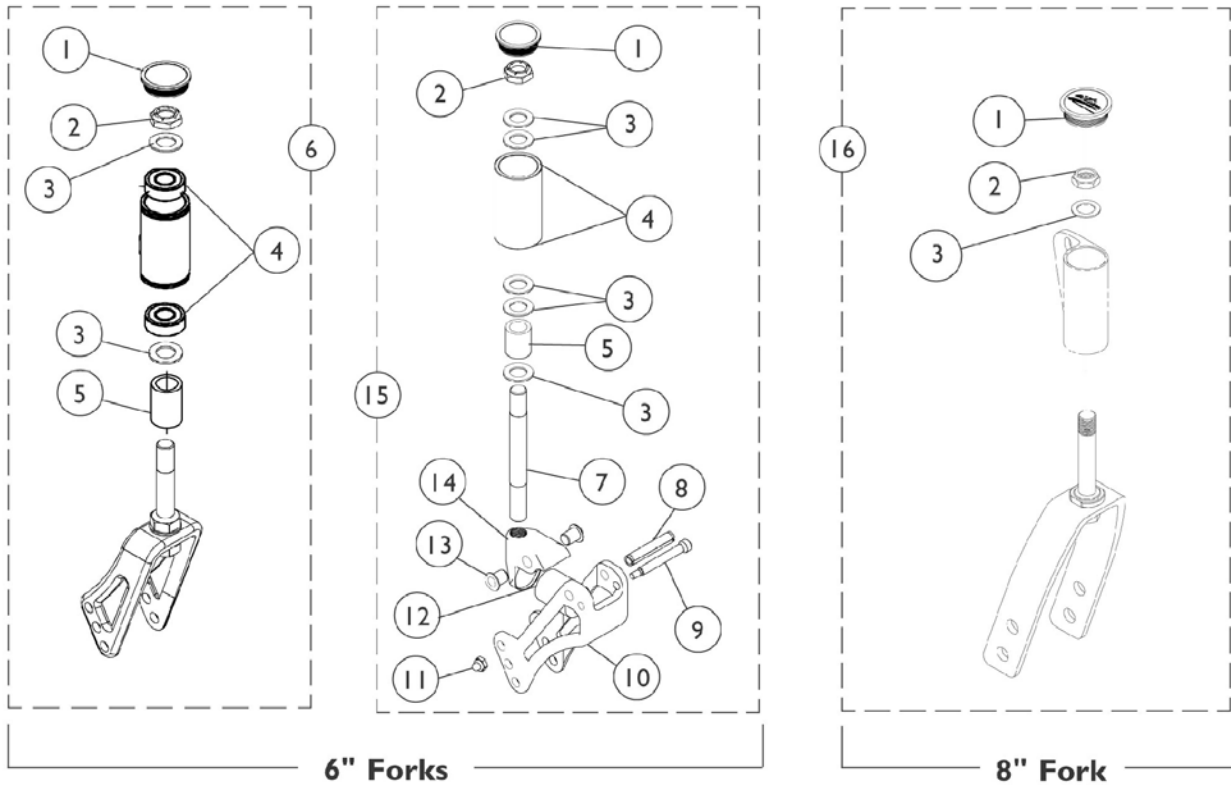
"T" Arm Kits

Kits Include Items 1-3,5-6

Part Number	Arm Style
8881074078	Desk Length, Low Range (1 Pair)
8881074079	Desk Length, High Range (1 Pair)
8881074080	Full Length, Low Range (1 Pair)
8881074081	Full Length, High Range (1 Pair)

Specify U67 upholstery color when ordering.

Caster Forks

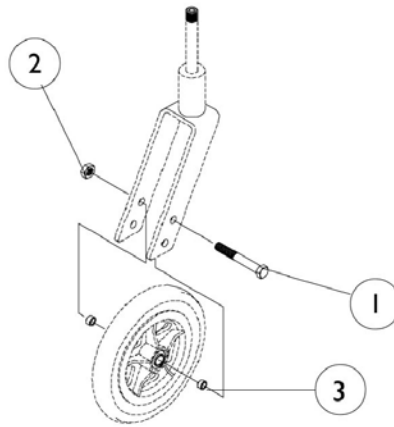


Caster Forks

Item Number	Note	Part Number	Description	Quantity Per	
				Package	Assembly
1		1038353	Cap, Caster Headtube	1	1
2		1025737	Locknut (1/2-20)	1	1
3		1026174	Washer (1/2 x 7/8 x 3/64")	1	6
4	A	40117X021	Bearing (1/2" I.D. x 1-1/8" O.D.)	1	2
5	B	1046495	Spacer (1/2 x 3/4 x 1")	1	1
6	C	1097039	Fork w/ Hardware -6"	1	1
6	D	1097040	Fork, Extended w/ Hardware -6"	1	1
7		1024682	Fork Stem	1	1
7		1046446	Fork Stem, 1" Extension	1	1
8		1088647	Pin, Slotted (5/16 x 1-3/4")	1	1
9		1030957	Screw, Socket Head Shoulder (1/4 x 1-3/4")	1	1
10		1088570	Fork, Suspension - Front	1	1
11		1100857	Nut, Hex with Nylon Cap (#10-24)	1	1
12		1100507	Spring Polyurethane Black (Pair)	2	1
13		1093978	Flange (5/16" I.D.)	1	2
14		1088571	Mount, Suspension Fork	1	1
15	E	1098173	Fork, Suspension w/ Hardware -6"	1	1
15	F	1098174	Fork, Extended Suspension w/ Hardware -6"	1	1
16	G	1065629	Kit, Fork w/ Hardware -6 x 2" & 8" Casters	1	1

NOTE: A - Item 4 Bearings are Not Included in Fork Assemblies.
 B - Spacer required for Forks w/ extended stems only (Part nos. 1097040 & 1098174).
 C - Includes Fork and items 1-3.
 D - Includes Fork and items 1-3, 5.
 E - Includes items 1-3,7-14.
 F - Includes items 1-3,5,7-14.
 G - Includes Fork and items 1-3.

Caster Wheels and Hardware



Caster Wheels and Hardware

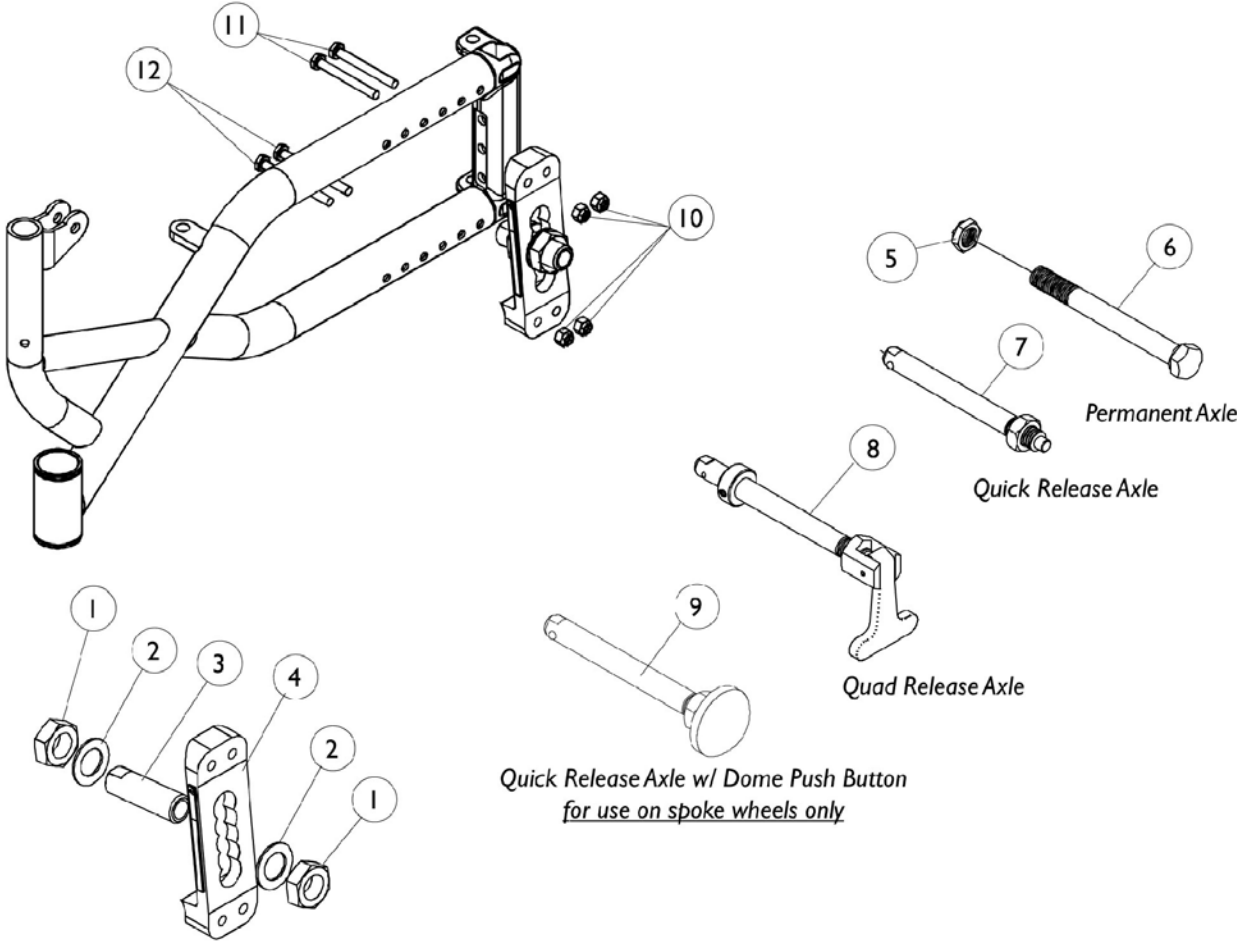
Axle Hardware

Wheel Style	Wheel Size	Tire Type	#1 Axle	#2 Axle Nut	#3 Spacer
Composite	3"/5"	Urethane	1026908	1025730	1026102
Composite	6"	Urethane	1025764	1025730	1026102
Composite	6"	Semi-Pneumatic	1025764	1025730	1026102
Composite	8"	Urethane	1025726	1025734	1025724
Composite	8"	Pneumatic	1025726	1025734	1025724
Suspension Fork - Composite	5"/6"	Urethane	1031891	1025730	1028539

Casters

Wheel Style	Wheel Size	Tire Type	Bearing	Bearing Spacer	Caster Wheel w/ Bearings	Tire	Tube/ Insert
AT900	3"	Urethane	40117X026	1026172	1032190	N/A	N/A
5ALUM	5"	Urethane	40117X026	1026172	1026952	N/A	N/A
AT901	5"	Urethane	40117X026	1026172	1029496	N/A	N/A
AT902	6 x 1"	Urethane	40117X026	1026172	1029500	N/A	N/A
6PNEU	6 x 2"	Pneumatic	40117X026	1026172	1044040	1026010	1026011
AT903	8 x 1-1/4"	Urethane	1006049	1020592	1038161	1038157	N/A
AT1292	8 x 1-1/4"	Pneumatic	1006049	1020592	1009481	40176X040	40176X041
AT1292FF	8 x 1-1/4"	Pneumatic w/ Flat Free	1006049	1020592	1025111	40176X040	1010904

Axle and Axle Mounting Plates



Axle and Axle Mounting Plates

Item Number	Note	Part Number	Description	Quantity Per	
				Package	Assembly
1		1044945	Nut, Hex (3/4-16)	1	2
2		7930324	Washer (5/8" x 1" x 11/16")	25	2
3		1026178	Bushing, Axle (2-1/2")	1	1
4		1093802	Axle Mounting Plate Slotted (0 Degree Camber)	1	1
4		1087138	Axle Mounting Plate Slotted (3 Degrees Camber)	1	1
4		1095729	Axle Mounting Plate Slotted (6 Degrees Camber)	1	1
5		1025737	Locknut (1/2-20)	1	1
6		1049227	Screw, Hex Head (1/2-20 x 5-1/4")	1	1
7		1040361	Axle, Quick Release w/ Locknut (1/2" x 5")	1	1
8		1043487	Axle, Quad Release	1	1
9	A	1068038-NLA	Axle, Quick Release (Dome)	1	1
9	B	1113049	Axle, Quick Release with Dome Button (Black)	1	1
9	C	1065303	Axle, Quick Release with Flat Button (Black)	1	1
10		7930345	Locknut (1/4-28)	25	4
11		1055350	Screw, Hex Head (1/4-28 x 2-1/4")	1	2
12		1055351	Screw, Hex Head (1/4-28 x 2-1/2")	1	2

NOTE: A - Q.R. Axle (1068038) had an Anodized Dome finish. Q.R. Axle part no. 1113049, w/ Black dome button, can be used as a replacement but may want to replace in pairs due to aesthetics.
 B - Used on all Spoke Rear Wheels except SPIN24, SPIN25, and SPIN26
 C - Used on SPIN24, SPIN25, and SPIN26 Spoke Rear Wheels

Composite Rear Wheels (without Handrims)

Wheel Style	Wheel Size	Tire Type	Wheel Single #	Tire	Tube/Insert	Bearing	Hub Spacer
20COM	20 x 1-3/8"	Pneumatic	1026422	1017519	1017520	40117X022	1015756
20COM	20 x 1-3/8"	Pneumatic w/ Flat Free	1026423	1017519	1023322	40117X022	1015756
20COM	20 x 1-1/4"	Urethane	1038364	1037774	N/A	40117X022	1015756
22COM	22 x 1-1/4"	Urethane	1032116	1028250	N/A	40117X022	1015756
22COM	22 x 1-3/8"	Pneumatic	1026420	1018544	1018545	40117X022	1015756
22COM	22 x 1-3/8"	Pneumatic w/ Flat Free	1026421	1018544	1023323	40117X022	1015756
24COM7	24 x 1-1/4"	Urethane	1032118	1026904	N/A	40117X022	1015756
24COM7	24 x 1-1/4"	KIK	1091330	1062852	N/A	40117X022	1015756
24COM7	24 x 1-3/8"	Pneumatic	1026362	40176X060	40176X061	40117X022	1015756
24COM7	24 x 1-3/8"	Pneumatic w/ Flat Free	1026363	40176X060	1010906	40117X022	1015756
3SCF-3 Spoke Carbon Fiber	25"	559 Primo See Note(s) A	1064552	1044947	1029471	N/A	N/A

NOTE: A - The 3 Spoke Carbon Fiber Wheel comes with the Handrim already attached.

Spoke Rear Wheels (without Handrims)

Wheel Style	Wheel Size	Tire Type	Wheel Assembly	Tire	Tube Insert	Bearing	Hub Spacer
20SP	20 x 1-3/8"	Pneumatic	1115585 See Note(s) C	1017519	1017520	40117X021	1015756
20SP	20 x 1-3/8"	Pneumatic w/ Flat Free	1115589 See Note(s) A, C	1017519	1023322	40117X021	1015756
22SP	22 x 1-3/8"	Pneumatic	1115656 See Note(s) C	1018544	1018545	40117X021	1015756
22SP	22 x 1-3/8"	Pneumatic w/ Flat Free	1115658 See Note(s) A, C	1018544	1023323	40117X021	1015756
24SP	24"	Continental	1116705 See Note(s) C	1026139	N/A	40117X021	1015756
24SP	24"	Pneumatic	1115660 See Note(s) C	40176X060	40176X061	40117X021	1015756
24SP	24"	Pneumatic w/ Flat Free	1116707 See Note(s) A, C	40176X060	1010906	40117X021	1015756
24SP	24"	Primo	1115662 See Note(s) C	1026138	1032240	40117X021	1015756
24SP	24"	KIK	1114112 See Note(s) C	1062852	N/A	40117X021	1015756
24HPS	24"	Continental	1116713 See Note(s) C	1026139	N/A	40117X021	1015756
24HPS	24"	Pneumatic	1116709 See Note(s) C	40176X060	40176X061	40117X021	1015756
24HPS	24"	Pneumatic w/ Flat Free	1116715 See Note(s) A, C	40176X060	1010906	40117X021	1015756
24HPS	24"	Primo	1116711 See Note(s) C	1026138	1032240	40117X021	1015756
24HPS	24"	KIK	1114138 See Note(s) C	1062852	N/A	40117X021	1015756
SPIN24	24"	Primo (Single #)	1112338 See Note(s) B	1026138	1105941	40117X021	N/A
SPIN24	24"	Primo (1 Pair)	1112353 See Note(s) B	1026138	1105941	1104350	N/A
559TS	25"	Primo	1116717 See Note(s) C	1044947	1029471	40117X021	1015756
SPIN25	25"	Primo (Single #)	1112348 See Note(s) B	1044947	1104326	1104350	N/A
SPIN25	25"	Primo (1 Pair)	1112354 See Note(s) B	1044947	1104326	1104350	N/A
26HPS	26"	Continental	1115653 See Note(s) C	1026143	N/A	40117X021	1015756
26HPS	26"	Pneumatic	1115652 See Note(s) C	1026142	1026140	40117X021	1015756
26HPS	26"	Primo	1115654 See Note(s) C	1029470	1029471	40117X021	1015756

Spoke Rear Wheels (without Handrims)

Wheel Style	Wheel Size	Tire Type	Wheel Assembly	Tire	Tube Insert	Bearing	Hub Spacer
SPIN26	26"	Primo (Single #)	1112343 See Note(s) B	1029470	1104326	1104350	N/A
SPIN26	26"	Primo (1 Pair)	1112355 See Note(s) B	1029470	1104326	1104350	N/A
26SP	26"	Continental	1116721 See Note(s) C	1026143	N/A	40117X021	1015756
26SP	26"	Pneumatic	1116719 See Note(s) C	1026142	1026140	40117X021	1015756
26SP	26"	Primo	1116723 See Note(s) C	1029470	1029471	40117X021	1015756

NOTE: A - Stem Hole Plugs (Part Number 1030936) are used with Flat Free and Urethane Tires.
 B - As of 7/15/02 Spinergy Wheels now have 18 spokes instead of 30. For chairs built Before 7/15/02, it is recommended when one wheel is requested that the wheels be replaced in pairs.
 C - As of 11/08/02 these wheels now have a Black finish. For chairs built Before 11/08/02, it is recommended when one wheel is requested that the wheels be replaced in pairs.

Spoke Rear Wheels (without Handrims)

Item Number	Note	Part Number	Description	Quantity Per	
				Package	Assembly
	A	1030936	Valve Stem Plug	1	1
	A	See Chart	Wheels without Handrims - Spoke	1	1

NOTE: A - Not Shown

Spoke Rear Wheels (with Handrims)

Wheel Style	Tire Type	Anodized Aluminum	Grey Plastic Coated	Black Plastic Coated	8 Vertical Projection	8 Oblique Projection
20SP	Pneumatic	1115584 See Note(s) B	1049448-NLA	1115423 See Note(s) B	N/A	N/A
20SP	Pneumatic w/ Flat Free	1115586 See Note(s) B	1049450-NLA	1115424 See Note(s) B	N/A	N/A
22SP	Pneumatic	1115588 See Note(s) B	1049452-NLA	1115591 See Note(s) B	1115425 See Note(s) B	N/A
22SP	Pneumatic with Flat Free	1115590 See Note(s) B	1049456-NLA	1115593 See Note(s) B	1115426 See Note(s) B	N/A
24SP	Pneumatic	1115594 See Note(s) B	1049460-NLA	1115599 See Note(s) B	1115427 See Note(s) B	1115428 See Note(s) B
24SP	Pneumatic with Flat Free	1115597 See Note(s) B	1049465-NLA	1115601 See Note(s) B	1115429 See Note(s) B	1115430 See Note(s) B
24SP	Primo	1115602 See Note(s) B	1049470-NLA	1115603 See Note(s) B	1115431 See Note(s) B	1115432 See Note(s) B
24SP	Continental	1115606 See Note(s) B	1049475-NLA	1115607 See Note(s) B	1115433 See Note(s) B	1115434 See Note(s) B
24SP	KIK	1115645 See Note(s) B	1091332-NLA	1115646 See Note(s) B	1115447 See Note(s) B	1115448 See Note(s) B
24HPS	Pneumatic	1115622 See Note(s) B	1049496-NLA	1115623 See Note(s) B	1115439 See Note(s) B	N/A
24HPS	Pneumatic with Flat Free	1115625 See Note(s) B	1049500-NLA	1115626 See Note(s) B	1115440 See Note(s) B	N/A
24HPS	Primo	1115628 See Note(s) B	1049504-NLA	1115629 See Note(s) B	1115441 See Note(s) B	N/A
24HPS	Continental	1115631 See Note(s) B	1049508-NLA	1115632 See Note(s) B	1115442 See Note(s) B	N/A
24HPS	KIK	1115649 See Note(s) B	1091337-NLA	1115650 See Note(s) B	1115449 See Note(s) B	N/A
SPIN24	Primo	1112339 See Note(s) A	N/A	N/A	N/A	N/A
559TS	Primo	1115610 See Note(s) B	1049480-NLA	1115611 See Note(s) B	1115435 See Note(s) B	N/A
SPIN25	Primo	1112349 See Note(s) A	N/A	N/A	N/A	N/A
26SP	Pneumatic	1115613 See Note(s) B	1049484-NLA	1115614 See Note(s) B	1115436 See Note(s) B	N/A
26SP	Primo	1115616 See Note(s) B	1049488-NLA	1115617 See Note(s) B	1115437 See Note(s) B	N/A
26SP	Continental	1115619 See Note(s) B	1049492-NLA	1115620 See Note(s) B	1115438 See Note(s) B	N/A
26HPS	Pneumatic	1115636 See Note(s) B	1049555-NLA	1115637 See Note(s) B	1115444 See Note(s) B	N/A
26HPS	Primo	1115639 See Note(s) B	1049559-NLA	1115640 See Note(s) B	1115445 See Note(s) B	N/A

Spoke Rear Wheels (with Handrims)

Wheel Style	Tire Type	Anodized Aluminum	Grey Plastic Coated	Black Plastic Coated	8 Vertical Projection	8 Oblique Projection
SPIN26	Primo See Note(s) A	1112344 See Note(s) A	N/A	N/A	N/A	N/A
<p>NOTE: A - As of 7/15/02 Spinergy Wheels now have 18 spokes instead of 30. For chairs built Before 7/15/02, it is recommended when one wheel is requested that the wheels be replaced in pairs. B - As of 11/8/02 these wheels now have a Black finish. For chairs built Before 11/8/02, it is recommended when one wheel is requested that the wheels be replaced in pairs.</p>						

Handrims

Non Projection Handrims

Wheel Style	Anodized Aluminum	Grey Plastic Coated	Black Plastic Coated
20COM	1020017	1020019-NLA See Note(s) A	1115400
20SP	1043442	1043498-NLA See Note(s) A	1043688
22COM	1033373	1026419-NLA See Note(s) A	1115401
22SP	1043443	1043499-NLA See Note(s) A	1043689
24COM7	1033372	1015784-NLA See Note(s) A	1115397
24SP See Note(s) A	1026136	1029483-NLA See Note(s) A	1035612
SPIN24 (30 Spoke)	1026136	1029483-NLA See Note(s) A	1035612
SPIN24 (18 Spoke)	1114300	N/A	N/A
24HPS	1026136	1029483-NLA See Note(s) A	1035612
559TS	1029493	1043251-NLA See Note(s) A	1043249
SPIN25 (30 Spoke)	1029493	1043251-NLA See Note(s) A	1043249
SPIN25 (18 Spoke)	1114301	N/A	N/A
26SP	1026137	1029484-NLA See Note(s) A	1035613
SPIN26 (30 Spoke)	1026137	1029484-NLA See Note(s) A	1035613
SPIN26 (18 Spoke)	1114302	N/A	N/A
26HPS	1026137	1029484-NLA See Note(s) A	1035613
700SP	1047086	1047087-NLA See Note(s) A	1115413

NOTE: A - Grey plastic coated handrim is no longer available; if a replacement is needed, order the black plastic coated as replacement in pairs so the handrims on both sides of the chair match.

Handrims

Projection Handrims

Wheel Style	8 Vertical Projections (Grey)	8 Oblique Projections (Grey)	12 Vertical Projections (Grey)	8 Vertical Projections (Black)	8 Oblique Projections (Black)	12 Vertical Projections (Black)
20COM	N/A	N/A	N/A	N/A	N/A	N/A
20SP	N/A	N/A	N/A	N/A	N/A	N/A
22COM	1046922-NLA See Note(s) A	N/A	N/A	1115412	N/A	N/A
22SP	1045506-NLA See Note(s) A	N/A	N/A	1115407	N/A	N/A
24COM7	1015432-NLA See Note(s) A	1015434-NLA See Note(s) A	1015433-NLA See Note(s) A	1115394	1115396	1115395
24SP	1115408 See Note(s) A	1045510-NLA See Note(s) A	N/A	1115408	1115411	N/A
SPIN24 (30 Spoke)	1115408	1045510-NLA See Note(s) A	N/A	1115408	1115411	N/A
SPIN24 (18 Spoke)	N/A	N/A	N/A	N/A	N/A	N/A
24HPS	1115408	1045510-NLA See Note(s) A	N/A	1115408	1115411	N/A
559TS	1045508-NLA See Note(s) A	N/A	N/A	1115409	N/A	N/A
SPIN25 (30 Spoke)	1045508-NLA See Note(s) A	N/A	N/A	1115409	N/A	N/A
SPIN25 (18 Spoke)	N/A	N/A	N/A	N/A	N/A	N/A
26SP	1045509-NLA See Note(s) A	N/A	N/A	1115410	N/A	N/A
SPIN26 (30 Spoke)	1045509-NLA See Note(s) A	N/A	N/A	1115410	N/A	N/A
SPIN26 (18 Spoke)	N/A	N/A	N/A	N/A	N/A	N/A
26HPS	1045509-NLA See Note(s) A	N/A	N/A	1115410	N/A	N/A

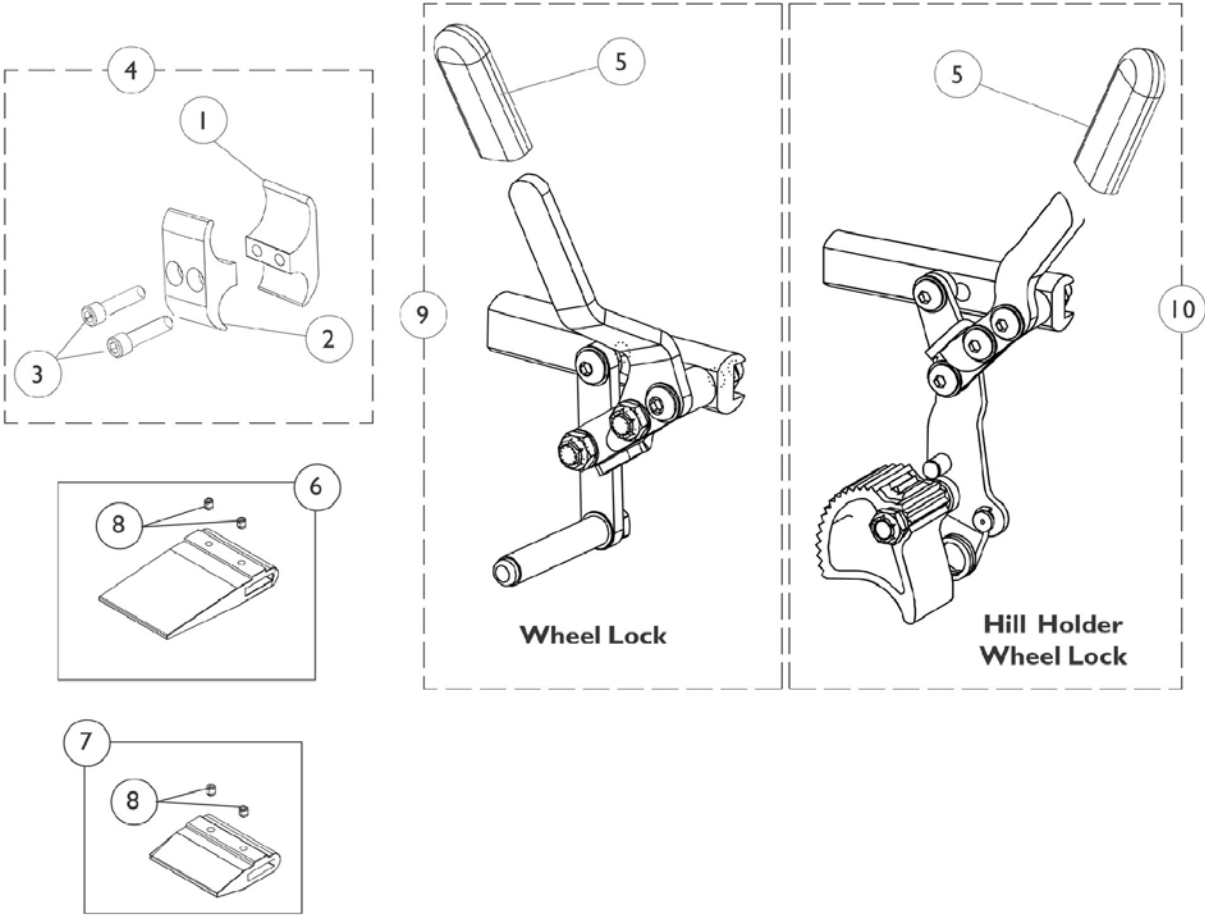
NOTE: A - Grey plastic coated handrim is no longer available; if a replacement is needed, order the black plastic coated as replacement in pairs so the handrims on both sides of the chair match.

Handrim Hardware

(Hardware Kits To Attach A Single Handrim Only)

Wheel Style	Anodized Aluminum	Grey/Black Plastic Coated	8 Vertical Projections	8 Oblique Projections	12 Vertical Projections
20COM	1025153	1025158	N/A	N/A	N/A
20SP	1043708	1043708	N/A	N/A	N/A
22COM	1026384	1026383	1026380	N/A	N/A
22SP	1043708	1043708	1026910	N/A	N/A
24COM7	1026384	1026383	1026380	1026381	1026382
24SP	1026910	1026910	1026910	1026910	N/A
SPIN24	1026910	N/A	N/A	N/A	N/A
24HPS	1026910	1026910	1026910	1026910	N/A
559TS	1026910	1026910	1026910	N/A	N/A
3SCF	N/A	N/A	N/A	N/A	N/A
SPIN25	1026910	N/A	N/A	N/A	N/A
26SP	1026910	1026910	1026910	N/A	N/A
26HPS	1026910	1026910	1026910	N/A	N/A
SPIN26	1026910	N/A	N/A	N/A	N/A

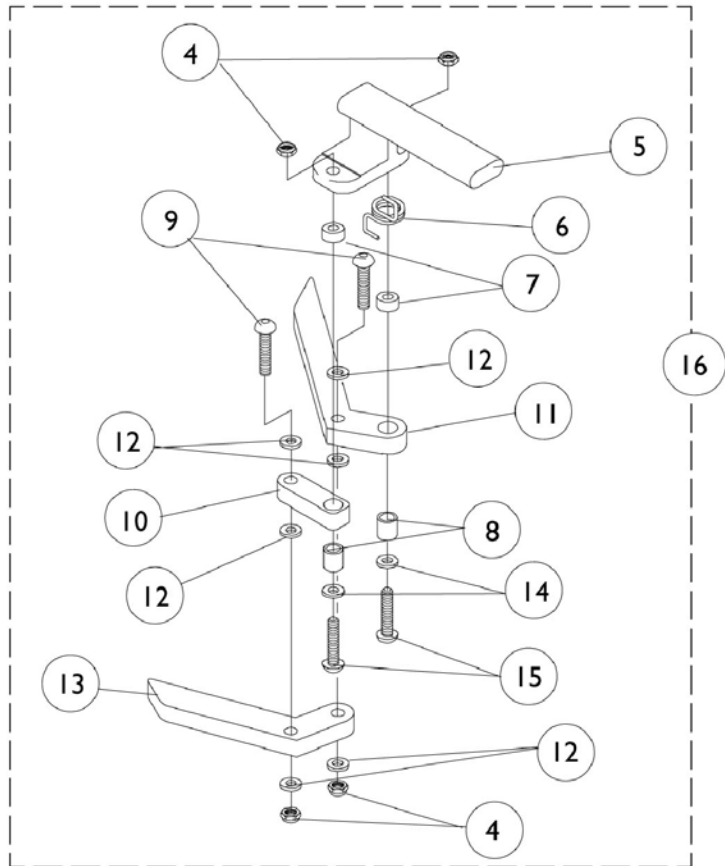
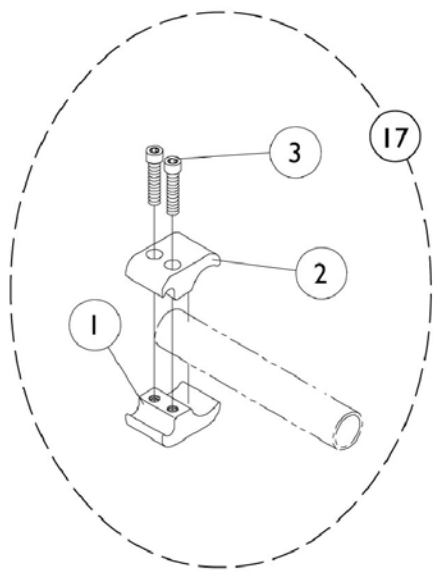
Wheel Lock, Hill Holder and Shoe Spacers



Wheel Lock, Hill Holder and Shoe Spacers

Item Number	Note	Part Number	Description	Quantity Per	
				Package	Assembly
1		1026096	Clamp, Wheel Lock, Threaded (1")	1	1
2		1026097	Clamp, Wheel Lock, Non-Threaded (1")	1	1
3		1027268	Screw, Allen Head (1/4-20 x 1")	1	2
4		1068210	Kit, Wheel Lock Attaching Hardware (1" Tubing)	1	1
			Screw, Allen Head (1/4-20 x 1")	1	2
			Clamp, Non-Threaded	1	1
			Clamp, Threaded	1	1
5		1006490	Tip, Black	1	1
6	A	1037421	Wheel Lock Shoe Spacer Kit, 20" Rear Wheels	2	1
			Spacer, Wheel Lock Shoe (2-63/64" Long)	1	2
			Screw, Set (#8-32 x 3/16")	1	4
7	B	1037422	Wheel Lock Shoe Spacer Kit, 22" Rear Wheels	2	1
			Spacer, Wheel Lock Shoe (1-45/64" Long)	1	2
			Screw, Set (#8-32 x 3/16")	1	4
8		7930306	Screw, Set (#8-32 x 3/16")	25	1
9		1095717	Wheel Lock Assembly -Right	1	1
9		1095718	Wheel Lock Assembly -Left	1	1
10		1097058	Hill Holder Wheel Lock -Right	1	1
10		1097059	Hill Holder Wheel Lock -Left	1	1
NOTE: A - For 20" Rear Wheels B - For 22" Rear Wheels					

Undermount Wheel Lock



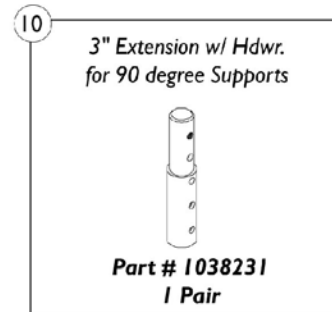
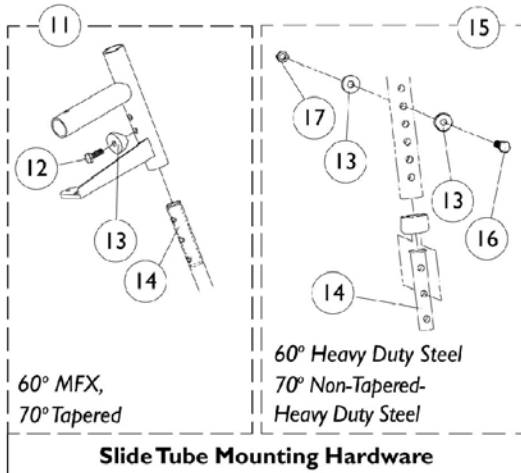
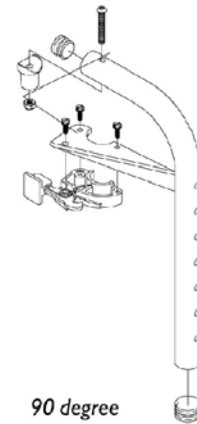
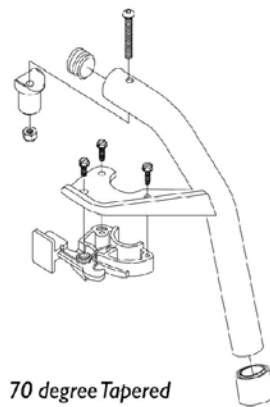
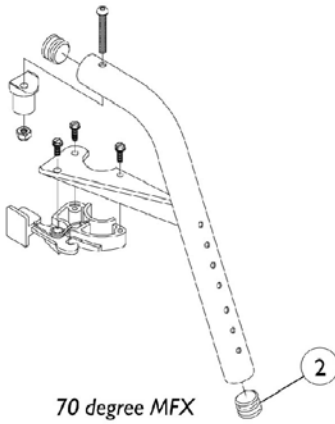
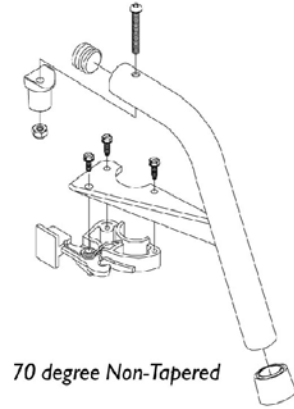
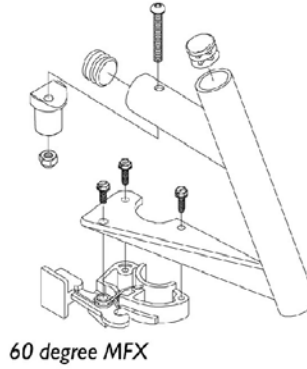
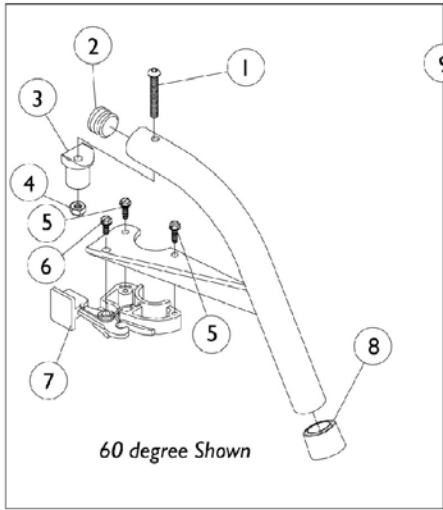
Undermount Wheel Lock

Item Number	Note	Part Number	Description	Quantity Per	
				Package	Assembly
1		1026096	Clamp, Wheel Lock, Threaded (1")	1	1
2		1026097	Clamp, Wheel Lock, Non-Threaded (1")	1	1
3		1027268	Screw, Allen Head (1/4-20 x 1")	1	4
4		7930334	Locknut (1/4-28)	25	2
5		1037120	Bracket, Mounting -Right	1	1
5		1037121	Bracket, Mounting -Left	1	1
6		1036519	Spring, Torsion -Right	1	1
6		1036520	Spring, Torsion -Left	1	1
7		1026104	Spacer	1	2
8		1005844	Bushing	1	2
9		1055307	Screw, Allen Head (1/4-28 x 1")	1	2
10		1025188	Link, Wheel Lock	1	1
11		1024962	Handle, Wheel Lock	1	1
12		1026103	Washer, Nylon (1/4 x 1/2 x 1/32")	1	6
13		1024961	Shoe, Wheel Lock	1	1
14		1025728	Washer (1/4 x 1/2 x 1/32")	1	2
15		1059284	Screw, Button Head Socket (1/4-28 x 1-1/4")	1	2
16	A	1036647	Undermount Wheel Lock -Right	1	1
16	A	1036648	Undermount Wheel Lock -Left	1	1
17		1039344	Kit, Wheel Lock Attaching Hardware (1" tubing)	1	1
			Clamp, Wheel Lock, Threaded (1")	1	2
			Clamp, Wheel Lock, Non-Threaded (1")	1	2
			Screw, Allen Head (1/4-20 x 1")	1	4

NOTE: A - Includes item 1-3

Footrest Support Assemblies

Swingaway 60 Degree, 70 Degree, and 90 Degree



Footrest Support Assemblies

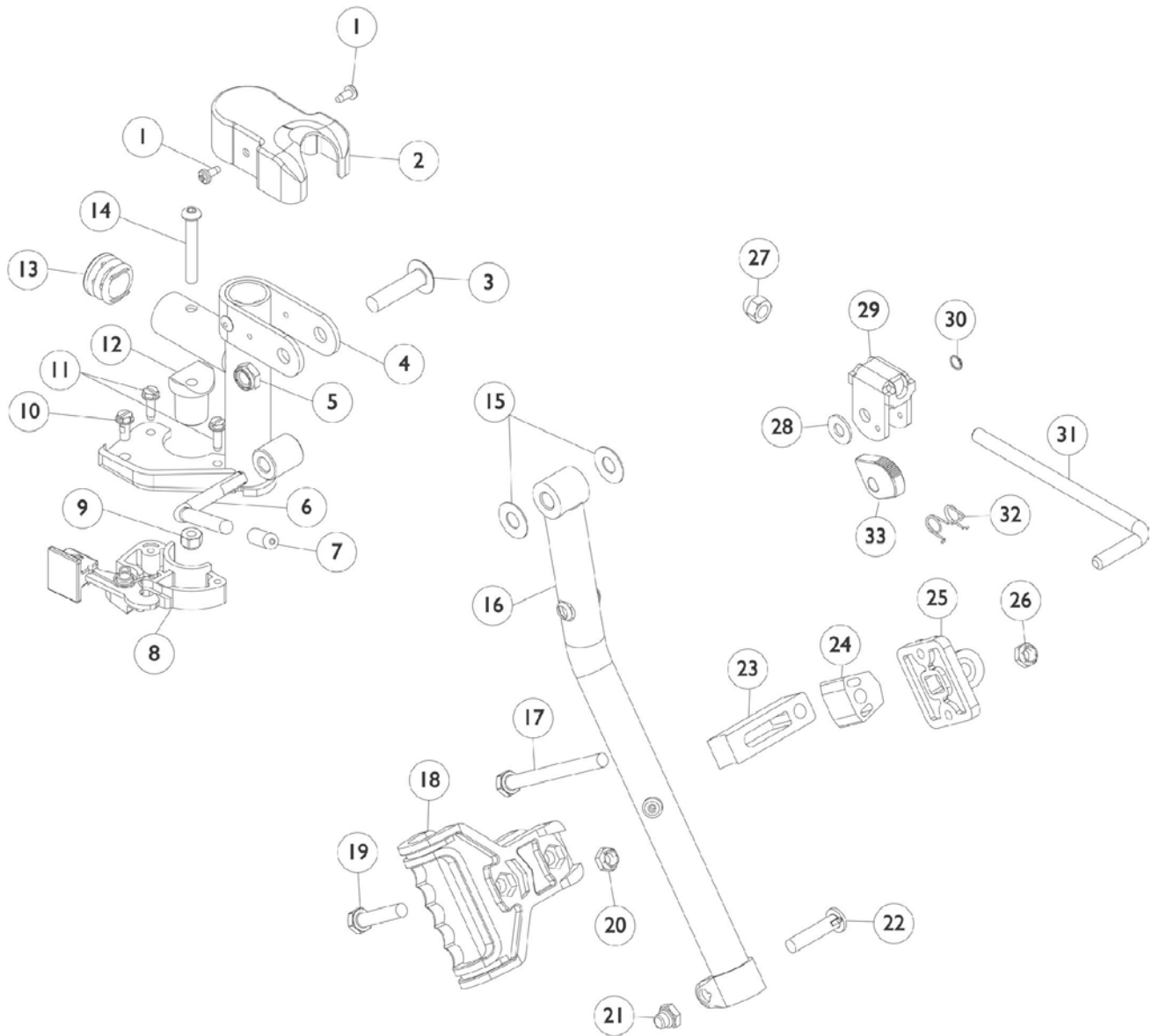
Swingaway 60 Degree, 70 Degree, and 90 Degree

Item Number	Note	Part Number	Description	Quantity Per	
				Package	Assembly
1		7930321	Screw, Socket Button Head (1/4-20 x 1-7/8")	25	1
2		1029501	Plug Button (1")	1	1
3		1017148	Plug, Pivot	1	1
4		7930333	Locknut (1/4-20)	25	1
5		1025451	Screw, Hex Head (#10-32 x 5/8")	1	2
6		7930314	Screw, Slotted Hex Head (#10-32 x 1/2")	25	1
7		1025454	Latch Housing - Right	1	1
7		1025455	Latch Housing - Left	1	1
8		1026124	Anti-Rattle Collar	1	1
9	A	8881026992	Footrest Support Assembly, 60° - Right	1	1
9	A	8881026993	Footrest Support Assembly, 60° - Left	1	1
9	A	8881026998	Footrest Support Assembly, 60° MFX - Right	1	1
9	A	8881026999	Footrest Support Assembly, 60° MFX - Left	1	1
9	A	8881053158	Footrest Support Assembly, 60° Heavy Duty - Right	1	1
9	A	8881053157	Footrest Support Assembly, 60° Heavy Duty - Left	1	1
9	A	8881026994	Footrest Support Assembly, 70° Non Tapered - Right	1	1
9	A	8881026995	Footrest Support Assembly, 70° Non Tapered - Left	1	1
9	A	8881026996	Footrest Support Assembly, 70° Tapered - Right	1	1
9	A	8881026997	Footrest Support Assembly, 70° Tapered - Left	1	1
9	A	8881047481	Footrest Support Assembly, 70° MFX - Right	1	1
9	A	8881047480	Footrest Support Assembly, 70° MFX - Left	1	1
9	A	8881053149	Footrest Support Assembly, 70° Non-Tapered, Heavy Duty - Right	1	1
9	A	8881053148	Footrest Support Assembly, 70° Non-Tapered Heavy Duty - Left	1	1
9	A	8881062596	Footrest Support Assembly, 90° - Right	1	1
9	A	8881062597	Footrest Support Assembly, 90° - Left	1	1
10	A	8881038231	Kit, 3" Extension w/ Hardware	2	1
11		1026703	Kit, Pivot/Slide Tube Mounting Hardware	2	1
12		1045267	Screw, Hex Head (1/4-20 x 3/4")	1	1
13		1026099	Spacer, Coved (1/4 x 11/16 x 1/2")	1	2
14		1020534	Insert, Threaded	1	1
15		1074143	Kit, Slide Tube Mounting Hardware	1	1
16		1070759	Screw, Hex Head Cap (1/4-20 x 1-1/2")	1	1
17		7930338	Nut, Acorn (1/4-20)	1	1

NOTE: A - Specify frame color when ordering.

Legrest Support Assemblies (AT5044)

Specify frame color when ordering.



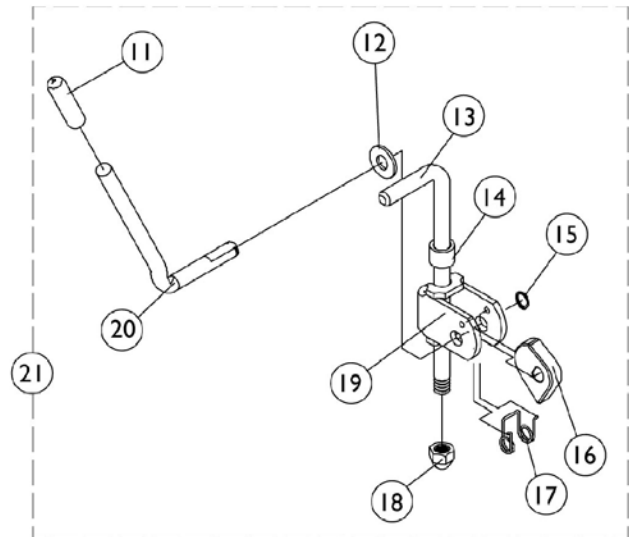
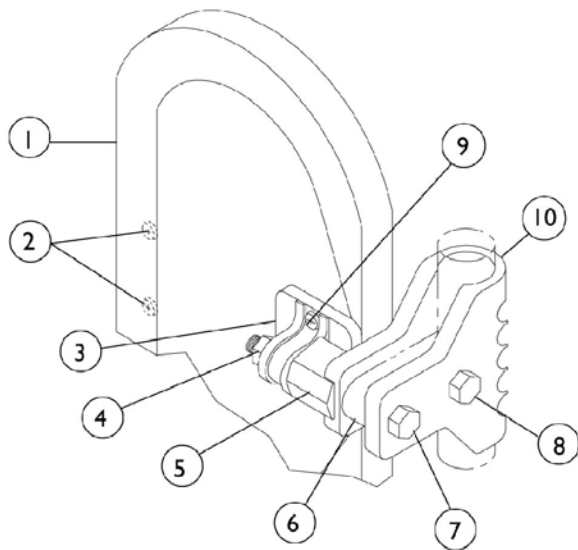
Legrest Support Assemblies (AT5044)

Specify frame color when ordering.

Item Number	Note	Part Number	Description	Quantity Per	
				Package	Assembly
1		1025729	Screw, Self Tapping Pan Head (#8-32 x 3/8")	1	2
2		1017187	Cover, Top	1	1
3		11919X000	Screw, Truss Head (3/8-16 x 1-1/2")	1	1
4		8881045289	Bracket, Legrest Support - Right	1	1
4		8881045290	Bracket, Legrest Support - Left	1	1
5		40363X000	Hex Nut (3/8"-16)	1	1
6		1037126	Handle, Release	1	1
7		1040060	Tip	1	1
8		1025454	Latch Housing - Right	1	1
9		1025736	Locknut (1/4-20)	1	1
10		1017423	Screw, Hex Head (#10-32 x 1/2")	1	1
11		1025451	Screw, Hex Head (#10-32 x 5/8")	1	2
12		1017148	Plug, Pivot	1	1
13		1029501	Plug Button (1")	1	1
14		1001762	Screw, Socket Button Head (1/4-20 x 1-3/4")	1	1
15		1058636	Washer, Nylon (25/64 x 7/8 x 1/32")	1	2
16		8881048851	Tube, Elevating Support (Color) - Right	1	1
17		1037110	Screw, Hex Head (5/16-24 x 3-1/2")	1	1
18		1032266	Bracket, Legrest Pad Mounting	1	1
19		1028514	Screw, Hex Head (5/16-24 x 1-1/2")	1	1
20		1025730	Locknut (5/16-24)	1	1
21		1107321	Nut, Low Cap (5/16"-24)	1	1
22		1026030	Screw, Lug (5/16-24 x 1-3/8")	1	1
23		1032267	Spacer, Legrest Pad Mounting	1	1
24		1025133	Spacer, Legrest Pad	1	1
25		04526X019	Plate, Legrest Pad	1	1
26		1025730	Locknut (5/16-24)	1	1
27		10261X000	Acorn Nut (5/16"-24)	1	1
28		1013519	Washer, Nylon (5/16 x 11/16 x 1/16")	1	1
29		04528X002	Bracket, Release (Chrome)	1	1
30		1040831	Snap Ring	1	1
31		42326X001	Bar, Ratchet	1	1
32		1037485	Spring, Release	1	1
33		1037125	Cam, Legrest	1	1
	B,A	8881045291	Legrest Support Assembly w/o Pad - Right	1	1
	B,A	8881045292	Legrest Support Assembly w/o Pad - Left	1	1

NOTE: A - Not Shown
B - Includes Items 1-33.

Legrest Calf Pads and Ratchet Assembly

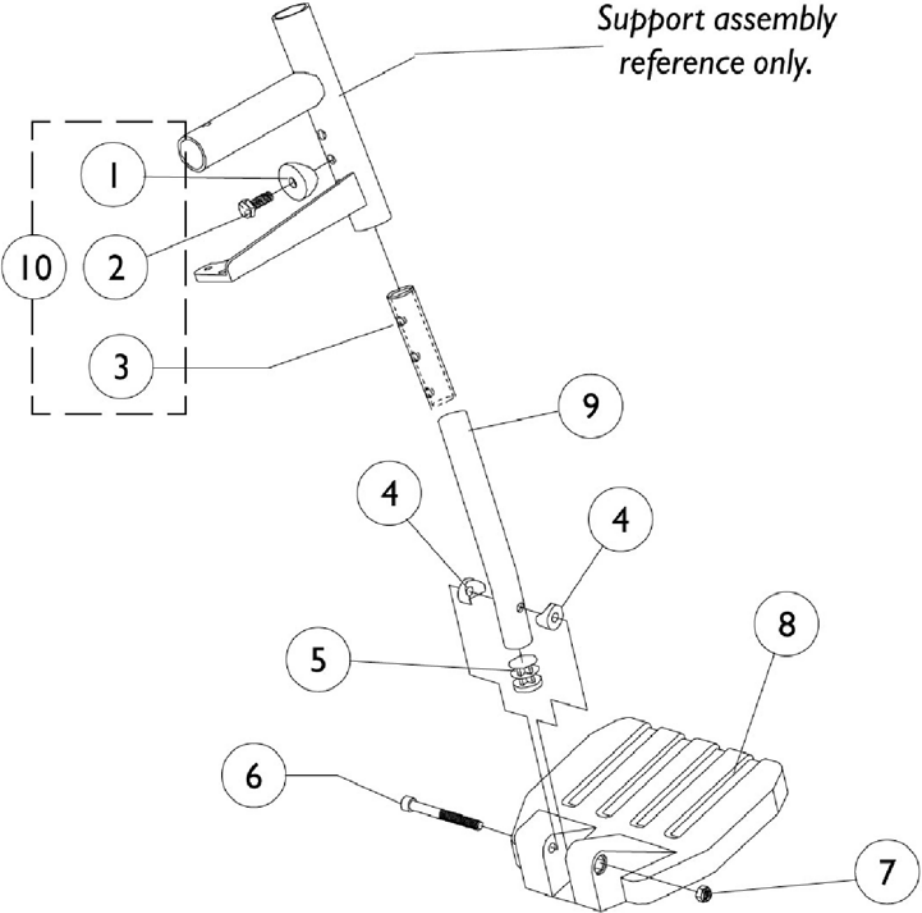


Legrest Calf Pads and Ratchet Assembly

Item Number	Note	Part Number	Description	Quantity Per	
				Package	Assembly
1	A,B,G	8881091759	Pad w/Cover and Screws, Legrest Vinyl	2	1
1	A,C,G	8881091764	Pad, Legrest Vinyl - Right/Left	1	1
1		01415X000-NLA	Cover, Legrest Pad	1	1
1	A,H	88804529X003	Pad, Legrest Vinyl - Right	1	1
1	A,H	88804529X004	Pad, Legrest Vinyl - Left	1	1
2		40163X006	Screw, Phillips Head (#10-14 x 1/16")	1	1
3		04526X019	Plate, Legrest Pad	1	1
4		7930330	Locknut (5/16-24)	25	1
5		1025133	Spacer, Legrest Pad	1	1
6		1032267	Spacer, Legrest Pad Mounting	1	1
7		1037110	Screw, Hex Head (5/16-24 x 3-1/2")	1	1
8		1028514	Screw, Hex Head (5/16-24 x 1-1/2")	1	1
9		1066591	Screws, Phillips Head (#10-32 x 11/16")	1	1
10		1032266	Bracket, Legrest Pad Mounting	1	1
11		1040060	Tip	1	1
12		7930310	Washer, Nylon (5/16 x 11/16 x 1/16")	25	1
13	E	42326X004	Bar, Ratchet - Right/Left	1	1
13	F	42326X001	Bar, Ratchet	1	1
14		47330X003	Spacer (5/16 x 1/2 x 3/8")	1	2
15		1040831	Snap Ring	1	1
16		1037125	Cam, Legrest	1	1
17		1037485	Spring, Release	1	1
18		7930336	Nut, Acorn (5/16-24)	25	1
19		04528X002	Bracket, Release (Chrome)	1	1
20		1037126	Handle, Release	1	1
21	E	1023812	Bar, Ratchet - Left	2	1
21	F	1096974	Kit, Ratchet Elevating Legrest	2	1
	D,E	1042798	Instruction Sheet, Ratchet Kit	1	1
	D,F	1096943	Instruction Sheet, Ratchet Kit	1	1

NOTE: A - Specify U67 upholstery color when ordering.
 B - Before 9/00
 C - After 8/00
 D - Not Shown
 E - ATL4A
 F - AT5044
 G - 16-22" Wide
 H - 14-15" Wide

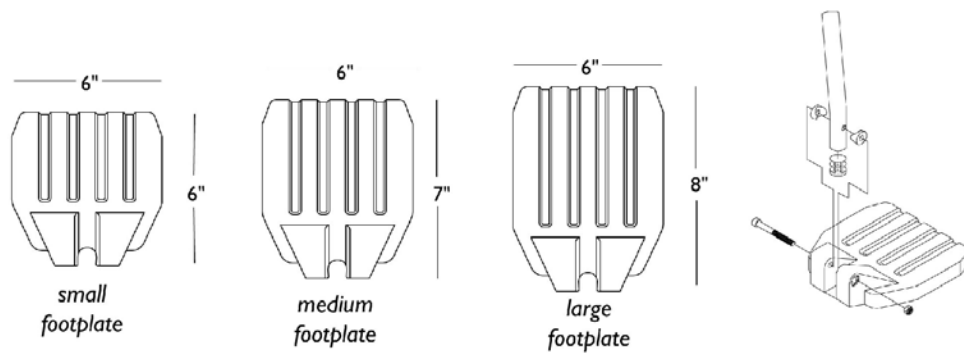
Footplate, Pivot Tube and Hardware - 1651 Composite



Footplate, Pivot Tube and Hardware - 1651 Composite

Item Number	Note	Part Number	Description	Quantity Per	
				Package	Assembly
1		1026099	Spacer, Coved (1/4 x 11/16 x 1/2")	1	1
2		1045267	Screw, Hex Head (1/4-20 x 3/4")	1	1
3		1020534	Insert, Threaded	1	1
4		1025457	Spacer, Coved (1/4 x 3/4 x 11/32")	1	2
5		1027097	Plug Button, Black (3/4")	1	1
6		7930366	Screw, Socket Head Cap (1/4-20 x 2-1/4")	1	1
7		7930323	Pkg, Locknut (1/4-20)	1	1
8		1026879	Footplate, Composite - Small (6" W x 6" L)	1	1
8		1026880	Footplate, Composite - Medium (7" W x 6" L)	1	1
8		1026881	Footplate, Composite - Large (8" W x 6" L)	1	1
9		1120383	Pivot Slide Tube, Curved End - Short (8-1/4" Long)	1	1
9		1120382	Pivot Slide Tube, Curved End - Long (9-7/8" Long)	1	1
9		1120386	Pivot Slide Tube, Curved - 2" Longer (11-7/8" Long)	1	1
9		1120384	Pivot Slide Tube, Straight - Alum. (9-7/8" Long)	1	1
9		1120385	Pivot Slide Tube, Straight - 2" Longer (11-7/8" Long)	1	1
9		1061967	Pivot Slide Tube, Straight (5-1/2" Long)	1	1
10		1026703	Kit, Pivot/Slide Tube Mounting Hardware	1	1
10		1038025	Pivot Slide Tube Attaching Hardware Aluminum and Extra Large Footplates	1	1

Composite Footplate (1651) and Pivot Tube Assemblies (Less Heel Loops)



Composite Footplate (1651) and Pivot Tube Assemblies (Less Heel Loops)

**60 Degree
13-19"
Curved End**

	Small Long 14"	Small 2" Longer 14"	Medium Long 15"-16"	Medium 2" Longer 15"-16"	Large Long 17"-22"	Large 2" Longer 17"-22"
Right	1028391	1032627	1028387	1032625	1028383	1032623
Left	1028392	1032628	1028388	1032626	1028384	1032624

**60 Degree MFX
9-3/4-14"
Curved End**

	Small Short 14"	Medium Short 15"-16"	Large Short 17"-22"
Right	1028389	1028385	1028381
Left	1028390	1028386	1028382

Composite Footplate (1651) and Pivot Tube Assemblies (Less Heel Loops)

**70 Degree
14-19"
Straight**

	Small Short 14"	Small 2" Longer 14"	Medium Short 15"-16"	Medium 2" Longer 15"-16"	Large Short 17"-22"	Large 2" Longer 17"-22"
Right	1042784	1042790	1042786	1042792	1042788	1042794
Left	1042785	1042791	1042787	1042793	1042789	1042795

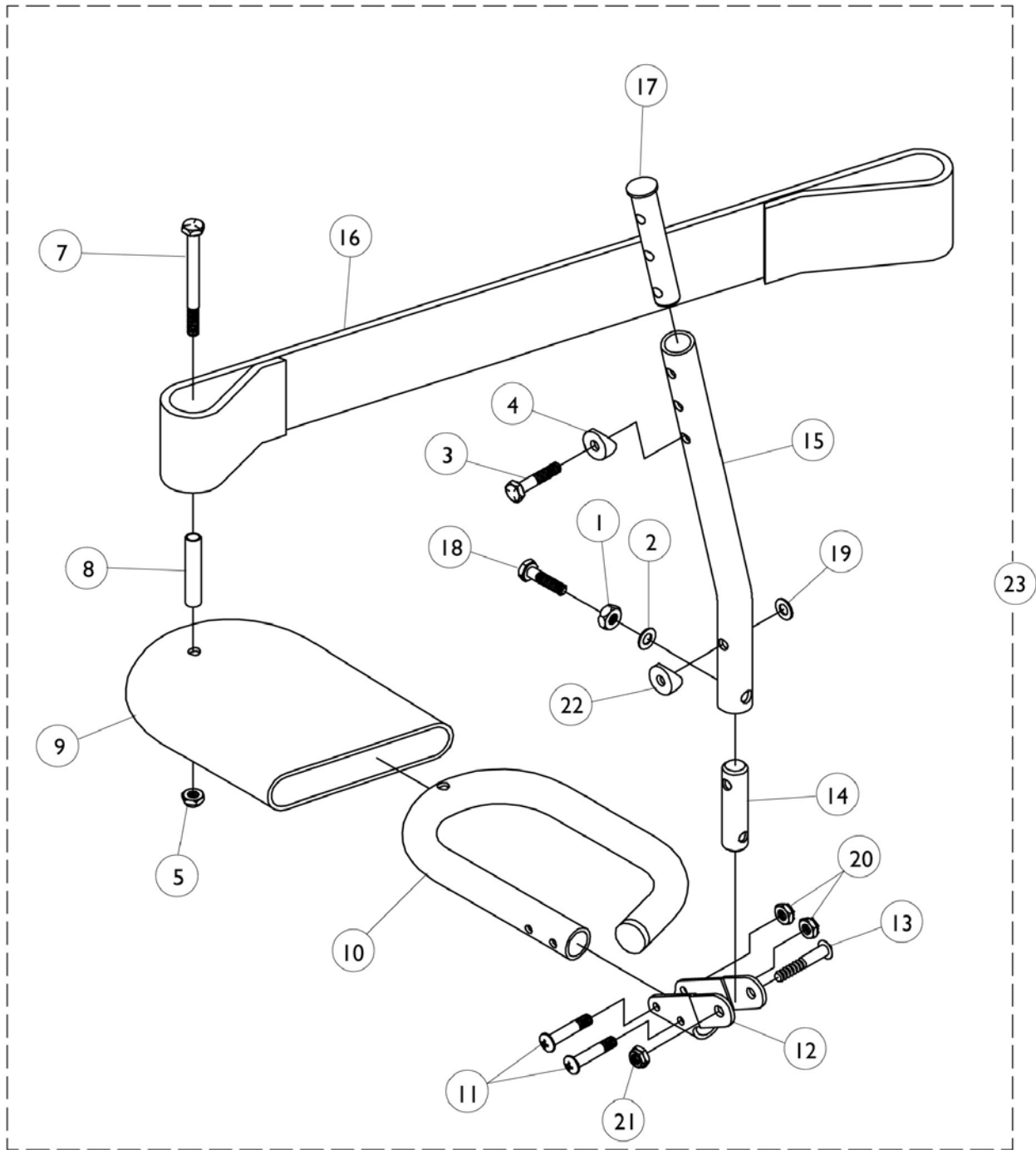
**70 Degree Tapered
14-1/2-19-1/2"
Straight**

	Small Short 16"-17"	Small 2" Longer 16"-17"	Medium Short 18"-19"	Medium 2" Longer 18"-19"	Large Short 20"-22"	Large 2" Longer 20"-22"
Right	1042784	1042790	1042786	1042792	1042788	1042794
Left	1042785	1042791	1042787	1042793	1042789	1042795

**Elevating Legrest
16-20"
Curved End**

	Small Long 14"	Small 2" Longer 14"	Medium Long 15"-16"	Medium 2" Longer 15"-16"	Large Long 17"-22"	Large 2" Longer 17"-22"
Right	1028391	1032627	1028387	1032625	1028383	1032623
Left	1028392	1032628	1028388	1032626	1028384	1032624

Tubular Footplates



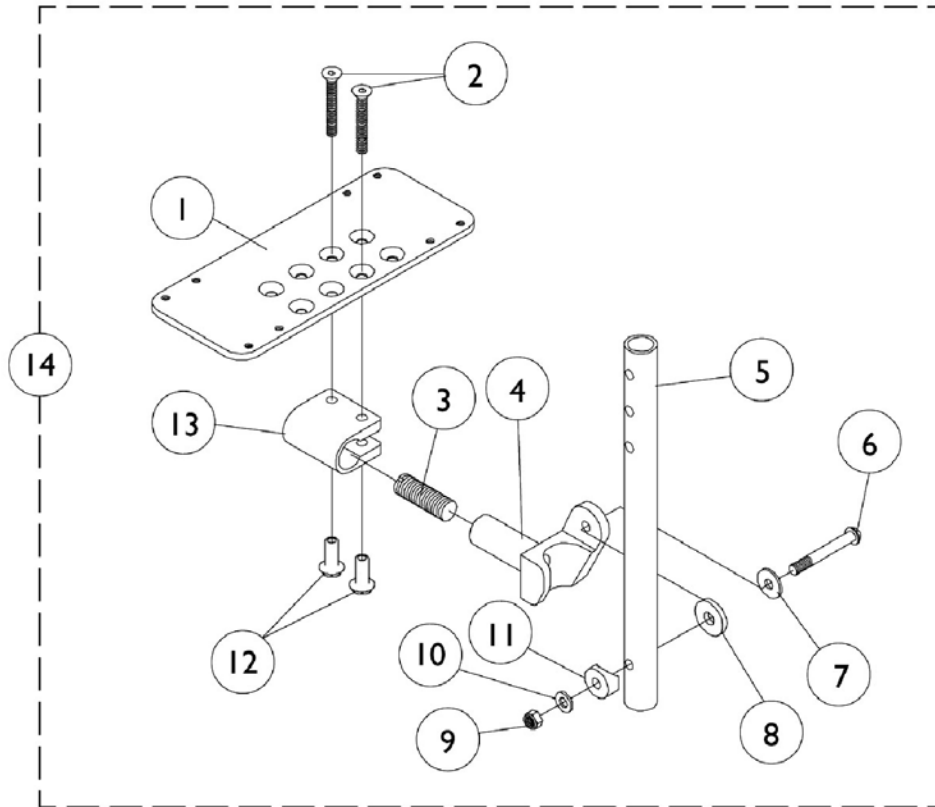
23

Tubular Footplates

Item Number	Note	Part Number	Description	Quantity Per	
				Package	Assembly
1		1025711	Nut, Hex (1/4-20)	1	1
2		1026108	Lockwasher (1/4 x 15/32 x 1/64")	1	1
3		1045267	Screw, Hex Head (1/4-20 x 3/4")	1	1
4		1026099	Spacer, Coved (1/4 x 11/16 x 1/2")	1	1
5		7930323	Pkg, Locknut (1/4-20)	25	1
6		1027097	Plug Button, Black (3/4")	1	1
7		1025709	Screw, Hex Head (1/4-20 x 2-3/4")	1	1
8		1006477	Spacer (1/4 x 11/32 x 1-3/4")	1	1
9		1008552-NLA	Cover, Footplate - Medium	1	1
9		1008553-NLA	Cover, Footplate - Large	1	1
10		1026404	Tube, Footrest - Medium	1	1
10		1026405	Tube, Footrest - Large	1	1
11		7930327	Screw, Phillips Pan Head (#10-32 x 1-1/8")	25	2
12		1012182	Bracket, Pivot	1	1
13		1023968	Screw, Button Head Socket (1/4-20 x 1-7/16")	1	1
14		1012158	Insert, Slide Tube	1	1
15		1026406	Pivot Slide Tube	1	1
15	A	1020533	Pivot Slide Tube, 2" Longer	1	1
16		1017621	Heel Loop	1	1
17		1020534	Insert, Threaded	1	1
18		1025713	Screw, Hex Head (1/4-20 x 1")	1	1
19		1025456	Washer (3/4 x 1/4 x 1/32")	1	1
20		7930332	Locknut, High Profile (#10-32)	25	2
21		7930333	Locknut (1/4-20)	25	1
22		1025457	Spacer, Coved (1/4 x 3/4 x 11/32")	1	1
23		1026695	Tubular Footplate Assembly - Right	1	1
23		1026696	Tubular Footplate Assembly - Left	1	1
23		1055509	Tubular Footplate Assembly, 2" Longer - Right	1	1
23		1055510	Tubular Footplate Assembly, 2" Longer - Left	1	1
23		1026699	Tubular Footplate Assembly - Right	1	1
23		1026700	Tubular Footplate Assembly - Left	1	1
23		1055511	Tubular Footplate Assembly, 2" Longer - Right	1	1
23		1055512	Tubular Footplate Assembly, 2" Longer - Left	1	1

NOTE: A - Not Shown

Adjustable Angle Footplate with Pivot Tube - AT5543



Adjustable Angle Footplate with Pivot Tube - AT5543

Item Number	Note	Part Number	Description	Quantity Per	
				Package	Assembly
1		1060425	Footplate, Adjustable Angle - Small (3-1/4" Wide x 8" Long)	1	1
1		1060426	Footplate, Adjustable Angle - Medium (4-1/4" W x 8" L)	1	1
1		1060427	Footplate, Adjustable Angle - Large (5-1/4" W x 8" L)	1	1
1		1062569	Footplate, Adjustable Angle - X-Large (6-1/4" W x 8" L)	1	1
2	A	1029545	Screw, Socket Head Cap (1/4-20 x 3/4")	1	2
3		1048816	Screw, Nylon Adjustment (1/2-13 x 7/8")	1	1
4		1052102	Hinge, Footplate - Right	1	1
4		1052103	Hinge, Footplate - Left	1	1
5		1120384	Pivot Slide Tube, Straight - Alum. (9-7/8" Long)	1	1
5		1120385	Pivot Slide Tube, Straight - 2" Longer (11-7/8" Long)	1	1
6		7930321	Screw, Socket Button Head (1/4-20 x 1-7/8")	25	1
7		1026900	Washer (1/4 x 23/32 x 1/16")	1	1
8		7930313	Washer, Nylon (5/16 x 7/8 x 1/8")	25	1
9		7930333	Locknut (1/4-20)	25	1
10		1026907	Washer (1/4 x 1/2 x 1/16")	1	1
11		1025457	Spacer, Coved (1/4 x 3/4 x 11/32")	1	1
12	A	1082686	Nut, Hex Head (1/4-20 x 11/16")	1	2
13	A	1058517	Clamp, Footplate	1	1
14		See Chart	#14 60 Degree, 60 Degree MFX, 70 Degree Non-Tapered, & ELR's	1	1
14		See Chart	#14 70 Degree	1	1
14		See Chart	#14 70 Degree Tapered	1	1
14		See Chart	#14 90 Degree and 70 Degree MFX	1	1

NOTE: A - Due to a hardware change, for chairs built Before 8/99 items 2, 12, and 13 must be ordered together.

Adjustable Angle Footplate with Pivot Tube - AT5543

#14 60 Degree, 60 Degree MFX, 70 Degree Non-Tapered, & ELR's

Straight Slide Tube (9-7/8")	Right	Left
10-11" Wide (3-1/4" Footplate)	1060428	1060429
12-13" Wide (4-1/4" Footplate)	1060430	1060431
14-15" Wide (5-1/4" Footplate)	1060432	1060433
16-20" Wide (6-1/4" Footplate)	1062572	1062573
ALPT Straight Slide Tube (11-7/8") Aluminum	Right	Left
10-11" Wide (3-1/4" Footplate)	1062574	1062575
12-13" Wide (4-1/4" Footplate)	1062576	1062577
14-15" Wide (5-1/4" Footplate)	1060440	1060441
16-20" Wide (6-1/4" Footplate)	1062578	1062579

#14 70 Degree

ALPT Straight Pivot Tube (11-7/8")	Right	Left
12-13" Wide (4-1/4" Footplate)	1062576	1062577
14-15" Wide (5-1/4" Footplate)	1060440	1060441
16-17" Wide (6-1/4" Footplate)	1062578	1062579
18-20" Wide (7-1/4" Footplate)	1068622	1068623

Adjustable Angle Footplate with Pivot Tube - AT5543

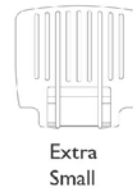
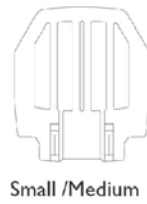
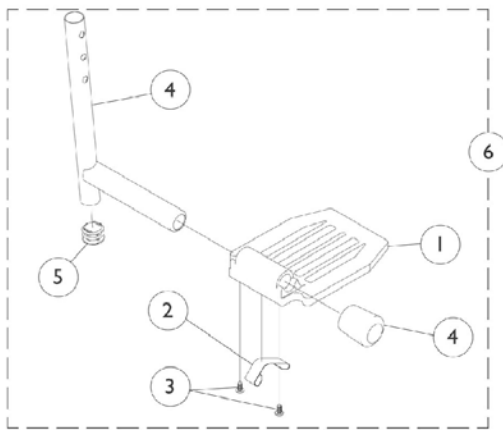
#14 70 Degree Tapered

Straight Pivot Tube (9-7/8")	Right	Left
16" Wide (4-1/4" Footplate)	1060430	1060431
17-18" Wide (5-1/4" Footplate)	1060432	1060433
19-20" Wide (6-1/4" Footplate)	1062572	1062573
ALPT Straight Pivot Tube (11-7/8")	Right	Left
16" Wide (4-1/4" Footplate)	1062576	1062577
17-18" Wide (5-1/4" Footplate)	1060440	1060441
19-20" Wide (6-1/4" Footplate)	1062578	1062579

#14 90 Degree and 70 Degree MFX

No Pivot Tube Bolts Through Support	Right	Left
10-11" Wide (3-1/4" Footplate)	1060434	1060435
12-13" Wide (4-1/4" Footplate)	1060436	1060437
14-15" Wide (5-1/4" Footplate)	1060438	1060439
16-20" Wide (6-1/4" Footplate)	1062570	1062571
18-20" Wide (7-1/4" Footplate)	1068618	1068619

Footplate, Pivot Tube and Hardware - A1562/A1564 Aluminum



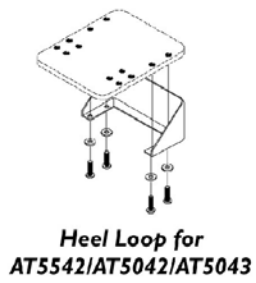
Footplate, Pivot Tube and Hardware - A1562/A1564 Aluminum

Item Number	Note	Part Number	Description	Quantity Per	
				Package	Assembly
1		44200X032	Footplate, Aluminum - Extra Small (5-3/4" W x 6" L)	1	1
1		44200X059	Footplate, Aluminum - Small (6-3/4" W x 6" L)	1	1
1		44200X027	Footplate, Aluminum - Medium (7-3/4" W x 6" L)	1	1
1		44200X025	Footplate, Aluminum - Extra Large (8" W x 8-1/2" L) - Right	1	1
1		44200X026	Footplate, Aluminum - Extra Large (8" W x 8-1/2" L) - Left	1	1
2		1006981	Spring	1	1
2		1036123	Spring	1	1
3		1025729	Screw, Self Tapping Pan Head (#8-32 x 3/8")	1	2
4		1048834	Pivot/Slide Tube with Plug Button	1	1
5		1027097	Plug Button, Black (3/4")	1	1
6		See Chart	#6 Pivot Slide Tube with Footplate	1	1

#6 Pivot Slide Tube with Footplate

Footplate Size	Chair Width	Standard Right	Standard Left	2" Longer Right	2" Longer Left	4" Longer Right	4" Longer Left
X-Small	12-13"	1026398	1026399	N/A	N/A	N/A	N/A
Small	14-15"	1041542	1041543	N/A	N/A	N/A	N/A
Medium	16-20"	1026401	1026402	N/A	N/A	N/A	N/A
X-Large	16-20"	1026395	1026396	1086515	1086517	1086516	1086518

Heel Loops and Toe Loops



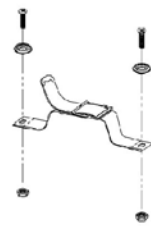
Heel Loop w/
Ankle Strap for
AT5542/AT5042/AT5043



Heel Loop for
16511/A1562/A1564



Heel Loop w/
Ankle Strap for
16511/A1562/A1564



Toe Loop for
All Footplates

Heel Loops and Toe Loops

1651 Composite

	Heel Loop Single #	Heel Loop Pair #	Heel Loop w/ Ankle Strap Single # - Right	Heel Loop w/ Ankle Strap Single # - Left	Heel Loop w/ Ankle Strap Pair #	Attaching Hardware Pair #
Small	1025234	1035905	1035908	1035909	1035906	1035931
Medium	1017621	1035917	1053313	1053314	1053329	1035931
Large	1027000	1035929	1035932	1035933	1035930	1035931

A1562 Aluminum

	Heel Loop Single #	Heel Loop Pair #	Heel Loop w/ Ankle Strap Single # - Right	Heel Loop w/ Ankle Strap Single # - Left	Heel Loop w/ Ankle Strap Pair #	Attaching Hardware Pair #
Small (Jr. Only)	1025234	1035905	1035908	1035909	1035906	1035931
Medium	1017621	1035917	1035919	1035920	1035918	1035931
Large	1027000	1035929	1035932	1035933	1035930	1035931

A1564 Extra Large

	Heel Loop Single #	Heel Loop Pair #	Heel Loop w/ Ankle Strap Single # - Right	Heel Loop w/ Ankle Strap Single # - Left	Heel Loop w/ Ankle Strap Pair #	Attaching Hardware Pair #
Large	1027000	1035929	1035932	1035933	1035930	1035931

Heel Loops and Toe Loops

Adjustable Angle 5542 and AT5543

	Heel Loop Single #	Heel Loop Pair #	Heel Loop w/ Ankle Strap Single # - Right	Heel Loop w/ Ankle Strap Single # - Left	Heel Loop w/ Ankle Strap Pair #	Attaching Hardware Pair #
3-1/4" Wide Footplate	1018269	1036099	1036097	1036097	1036102	1036096
4-1/4" Wide Footplate	1018270	1036100	1027182	1027182	1036103	1036096
5 & 6-1/4" Wide Footplate	1030958	1036101	1036098	1036098	1036104	1036096
7-1/4" Wide Footplate	1069037	N/A	1069049	1069049	N/A	1036096

AT5043 Flip-Up Aluminum

	Heel Loop Single #	Heel Loop Pair #	Heel Loop w/ Ankle Strap Single # - Right	Heel Loop w/ Ankle Strap Single # - Left	Heel Loop w/ Ankle Strap Pair #	Attaching Hardware Pair #
Small 10"	1018269	1036099	1036097	1036097	1036102	1036096
Medium 12"	1018270	1036100	1027182	1027182	1036103	1036096

Toe Loops

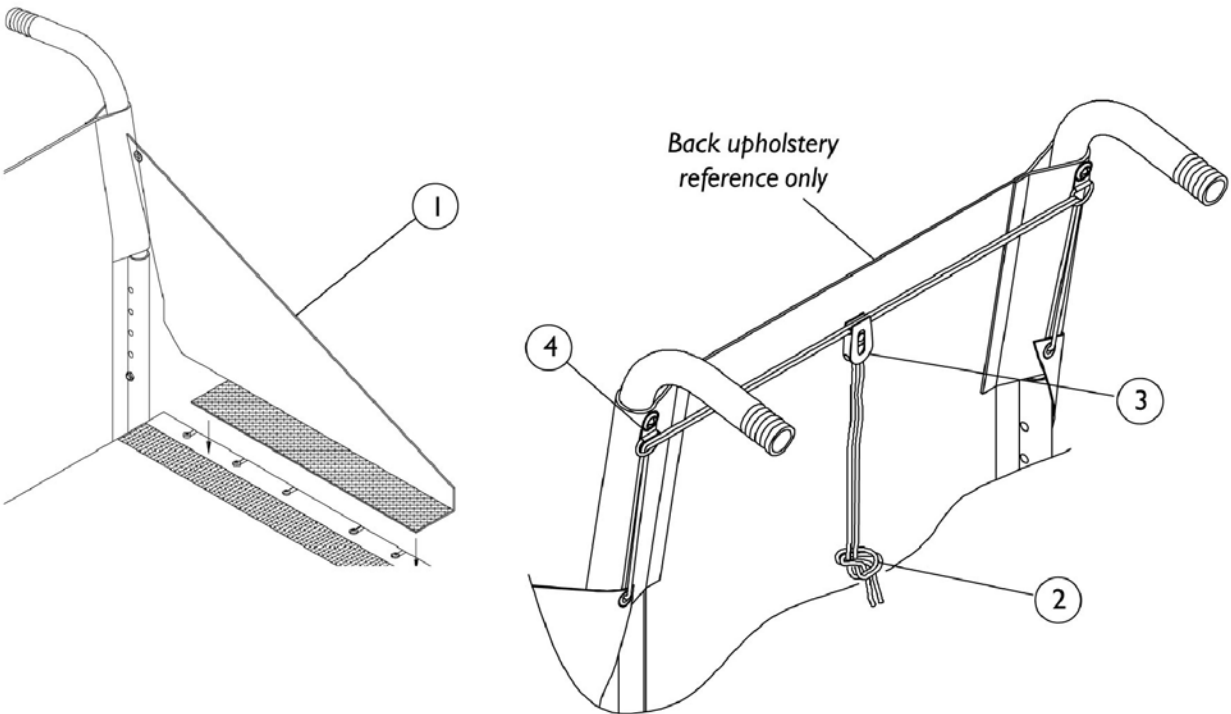
Toe Loop Single #	Toe Loop Pair #	Attaching Hardware Pair #
04572X025	1037087	1037089

Heel Loops and Toe Loops

Heel and Toe Loop Attaching Hardware Kits

1035931	1036096	1037089
Kit Includes:	Kit Includes:	Kit Includes:
1021421 Screw, Pan Head (1/4-20 x 2-1/4")	1026115 Screw, Pan Head (#10-32 x 5/16")	1029157 Screw, Pan Head (#10-32 x 7/8")
1006477 Spacer (1/4 x 11/32 x 1-3/4")	1028516 Washer (3/16 x 7/16 x 1/16")	1025707 Washer (1/4 x 3/4 x 3/32")
1025195 Locknut (1/4-20)		1025735 Locknut (#10-32)

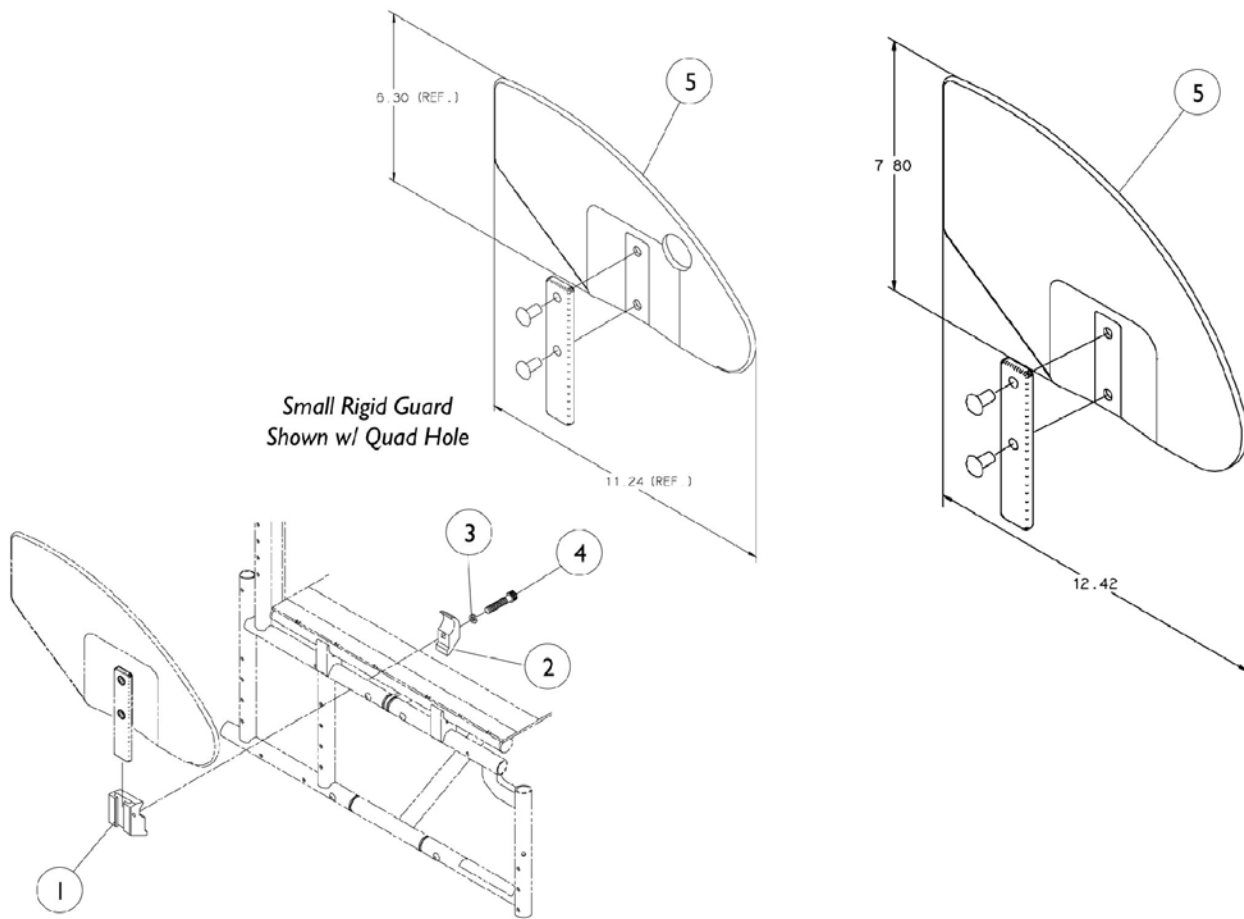
Fabric Clothing Guards



Fabric Clothing Guards

Item Number	Note	Part Number	Description	Quantity Per	
				Package	Assembly
1	A	1028444	Clothing Protector, Fabric -Right	1	1
1	A	1028445	Clothing Protector, Fabric -Left	1	1
1	B	1028446	Clothing Protector, Fabric -Right	1	1
1	B	1028447	Clothing Protector, Fabric -Left	1	1
1	C	8881028448	Clothing Protector, Fabric - Right	1	1
1	C	8881028449	Clothing Protector, Fabric - Left	1	1
1	D	1028450	Clothing Protector, Fabric - Right	1	1
1	D	1028451	Clothing Protector, Fabric - Left	1	1
2		1141633	Cord, Nylon (6-1/2 Feet)	1	1
3		1029412	Cord Lock	1	1
4		1029407	"D" Ring	1	2
NOTE: A - 7-11" deep chairs B - 12-13" deep chairs C - 14-15" deep chairs D - 16-18" deep chairs					

Rigid Side Guards



Rigid Side Guards

Item Number	Note	Part Number	Description	Quantity Per	
				Package	Assembly
1		1032249	Clamp, Half (Threaded)	1	1
2		1018692	Clamp, Half (Non-Threaded)	1	1
3		1013971	Washer, Nylon (1/4 x 7/16 x 5/64")	1	1
4		7930304	Screw, Socket Head (1/4-20 x 1-1/4")	1	1
5		1036346	Side Guard, Small w/o Quad Hole - Right (6-1/4" H x 11-1/4" D)	1	1
5		1036347	Side Guard, Small w/o Quad Hole - Left (6-1/4" H x 11-1/4" D)	1	1
5		1036407	Side Guard, Small w/ Quad Hole - Right (6-1/4" H x 11-1/4" D)	1	1
5		1036408	Side Guard, Small w/ Quad Hole - Left (6-1/4" H x 11-1/4" D)	1	1
5		1036344	Side Guard, Large w/o Quad Hole - Right (7-3/4" H x 12-3/8" D)	1	1
5		1036345	Side Guard, Large w/o Quad Hole - Left (7-3/4" H x 12-3/8" D)	1	1
5		1036405	Side Guard, Large w/ Quad Hole - Right (7-3/4" H x 12-3/8" D)	1	1
5		1036406	Side Guard, Large w/ Quad Hole - Left (7-3/4" H x 12-3/8" D)	1	1
5	A	1036342	Kit, Side Guard Hardware	2	1

NOTE: A - Includes Items 1-4.

Miscellaneous Accessories

Part Number	Description	Package Quantity
1093837	Anti-Tipper (17-1/2" and Lower Seat to Floor)	1
1093838	Anti-Tipper (17-3/4" and Higher Seat to Floor)	1
1098942	Anti-Tip Mounting Hardware (0 Degree Camber)	2
1098941	Anti-Tip Mounting Hardware (3 Degree Camber)	2
1098943	Anti-Tip Mounting Hardware (6 Degree Camber)	2
1109322	Back Pack, 12-15" Wide 11" W x 13" H x 4" D	1
1109323	Back Pack, 16-22" Wide 14" W x 12" H x 4" D	1
1027644	Calf Strap - 12-15" Wide (26")	1
1032243	Calf Strap -16-22" Wide (36")	1
1068210	Clamp with Hardware, 3/4" to 1"	1
1028452	Fabric Clothing Protector 14-15" Deep -Right	1
1028453	Fabric Clothing Protector 14-15" Deep -Left	1
1028454	Fabric Clothing Protector 16-22" Deep -Right	1
1028455	Fabric Clothing Protector 16-22" Deep -Left	1
1026714	Front Anti Tipper (Tubular Footplates Only)	1
1032214	H-Strap (12-13" Wide) (24" Long)	1
1032215	H-Strap (14-16" Wide) (26" Long)	1
1032216	H-Strap (18-22" Wide) (31" Long)	1
1026987	Impact Guard 8" Long	1
1026846	Impact Guard 12" Long	1
1098509	Impact Guard 21" Front Seat to Floor	1
1004310	Positioning Strap, Auto Syle 12-19" W	1
1034625	Positioning Strap, Auto Style 20-22" W	1
1034744	Positioning Strap, Hook & Loop 12-19" Wide	1
1034745	Positioning Strap, Hook & Loop 20-22" Wide	1

Miscellaneous Accessories

Part Number	Description	Package Quantity
1109324	Seat Pouch 8-1/2" W x 7" H x 4" D	1
1032147	Spoke Guard -22" Wheels (All)	1
1028442	Spoke Guard -24" Composite Wheels	1
1028441	Spoke Guard -24" Spoke Wheel	1
1028443	Spoke Guard -25"/26" Wheels	1
40176X010	Tire Pump	1
1038599	Wheel Lock Extensions, 6" (1 Pair)	2

Invacare Corporation

www.invacare.com



Yes, you can.™

One Invacare Way
Elyria, Oh USA
44036-2125
800-333-6900

Technical Support
800-832-4707
Customer Service
800-333-6900

Customer Service
800-333-6900

©2007 Invacare Corporation. Elyria, Ohio.
Invacare, Yes, you can., and the Medallion
Design are registered trademarks and
Spyder is a trademark of Invacare
Corporation. KIK is a registered trademark of
KIK Technology, Inc. (Revised 11/8/07)

Form No. 00-87