



Yes, you can:

SAVE THESE INSTRUCTIONS

NOTE: Check ALL parts for shipping damage. If shipping damage is noted, DO NOT use. Contact Carrier/Dealer for further instruction.

PART NUMBER	DESCRIPTION
SPARTAN - 65420	
1076187	Cane Kit - Left
1076188	Cane Kit - Right
1076189	Brake Kit - Left (Before 3/7/00)
1076190	Brake Kit - Right (Before 3/7/00)
1096765	Brake Kit (After 3/8/00)
SPRINT - 65400	
1076192	Cane Kit - Left
1076193	Cane Kit - Right
1076194	Brake Kit - Left (Before 3/7/00)
1076195	Brake Kit - Right (Before 3/7/00)
1096767	Brake Kit (After 3/8/00)
STINGRAY - 65500	
1076182	Cane Kit
1076184	Brake Kit
STARGAZER - 65600	
1076183	Cane Kit
1076184	Brake Kit

Note: Cane kits contain a push handle with hand grip, and hand brake already attached.

SAFETY SUMMARY

The following recommendations are made for the safe replacement of the Rollator Canes and Brakes:

GENERAL WARNINGS

DO NOT install this kit without first reading and understanding this instruction sheet. If you are unable to understand the Warnings, Cautions and Instructions, contact a healthcare professional, dealer or technical personnel if applicable before attempting to install this kit - otherwise, injury or damage may occur.

A physical/occupational therapist should assist in the placement and positioning of the hand grips for maximum support and correct brake activation. Be sure the rollator is properly balanced BEFORE using.

Care should be taken to ensure that ALL hand and height adjustments are secure, and that casters and moving objects are in good working order before using this or any mobility aid.

SAFETY SUMMARY (CONTINUED)

INSTALLATION WARNINGS

SPRINT (65400) and SPARTAN (65420) MODELS - The rollator height can ONLY be adjusted where the push handle is textured (FIGURE 4).

After installation and BEFORE use, ensure that ALL attaching hardware is securely tightened.

REPLACING SPRINT CANES AND BRAKES (FIGURE 1)

- Remove the EXISTING brake wire. Perform the following:
 - Loosen, but DO NOT remove the phillips screw securing the brake wire to the brake wire clamp.
 - Remove the brake wire clamp and set aside.
 - Pull wire through the hole in the brake.
 - Remove the spring and set aside.
 - Pull wire through cable adjuster unit. If necessary, loosen the cable adjuster unit locknut.
- Pull brake cable UP to remove from side frame. If necessary, cut ty-wrap.
- Perform one (1) of the following:

INSTALLING CANE KIT - Remove EXISTING push handle.

- Rotate adjustment lever counterclockwise to loosen. DO NOT remove.
- Pull UP on the push handle to remove.

INSTALLING BRAKE KIT (BEFORE 3/7/00) - Remove EXISTING hand brake.

- Remove the hex bolt, washer and locknut securing the hand brake to the push handle.
- Remove the hand brake.

INSTALLING BRAKE KIT (AFTER 3/8/00) - Remove EXISTING hand brake.

- Remove EXISTING hand grip from the push handle and discard.

-
- B. Remove the phillips screw securing the EXISTING hand brake to the push handle.
 - C. Pull the EXISTING hand brake off of the push handle.

NOTE: Remove clamps/hardware located at the end of the NEW brake wire before performing the following steps.

- 4. Perform one (1) of the following:

INSTALLING CANE KIT - Install NEW push handle.

- A. Turn the adjustment levers COUNTERCLOCKWISE.
- B. Insert push handles into side frames with the hand grip facing the back of the rollator as shown in FIGURE 1.

INSTALLING BRAKE KIT (BEFORE 3/7/00) - Install NEW hand brake.

- A. Position the handbrake assembly under the push handle so the lock button is facing OUT, the tip of the hand brake is towards the end of the hand grip and the brake cable is AWAY from the hand grip.
- B. Position the hook portion of the hand brake clamp through the slot in the hand brake assembly.
- C. Install the washer, hex bolt and locknut to secure the hand brake assembly to the push handle.
- D. Securely tighten the locknut.

INSTALLING BRAKE KIT (AFTER 3/8/00) - Install NEW hand brake.

- A. Push the NEW hand brake onto the push handle.

NOTE: If necessary, twist the hand brake while pushing to install on the push handle.

- B. Align the mounting holes of the NEW hand brake with the mounting hole in the push handle.
- C. Install the phillips screw through both mounting holes. Securely tighten.
- D. Apply a thin coat of hair spray on the inside of the foam grip and on the push handle.

NOTE: This application will make it easier to slide the grip onto the push handle.

- E. Slide new grip onto one end of the push handle.

- 5. Perform one (1) of the following:

TIE WRAPS REMOVED - Secure the brake cable to the side frame with a NEW tie wrap.

TIE WRAPS ALREADY INSTALLED - Thread brake cable through tie wrap to secure to side frame.

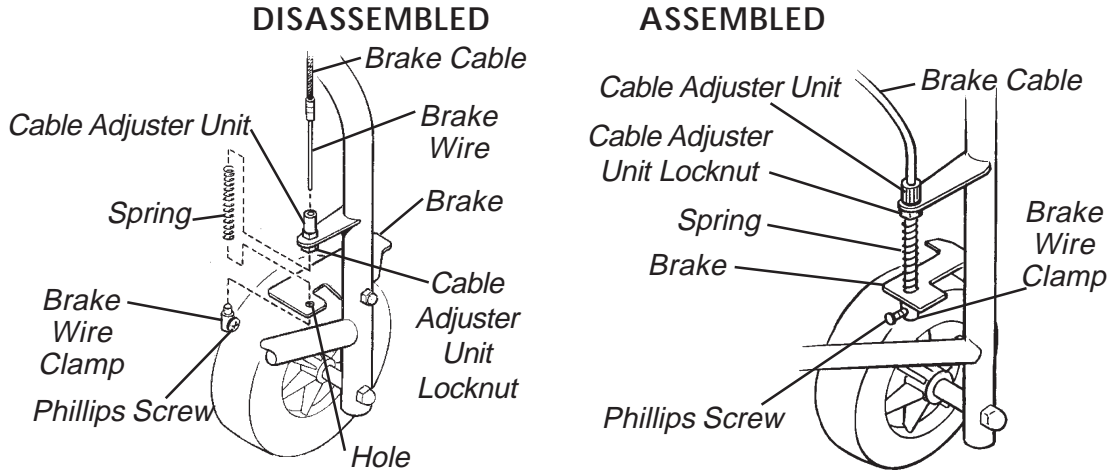
- 6. Install the NEW brake wire. Perform the following:

- A. Thread the brake wire through the cable adjuster unit, cable adjuster unit locknut, spring, hole in the brake and the hole in the small end of the brake wire clamp.
- B. With the brake wire clamp snug against the underside of the brake, pull the brake wire through the brake wire clamp as far as it will go.
- C. Tighten the phillips screw in the brake wire clamp to secure the brake wire to the brake wire clamp.

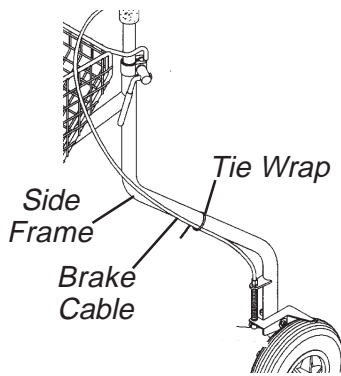
NOTE: At least one (1) to two (2) inches of wire should be beyond the large end of the brake wire clamp.

- 7. Adjust the push handle. Refer to ADJUSTING SPRINT AND SPARTAN PUSH HANDLES in this instruction sheet.
- 8. Adjust the hand brake. Refer to ADJUSTING SPRINT AND SPARTAN HAND BRAKES in the rollator instruction sheet.

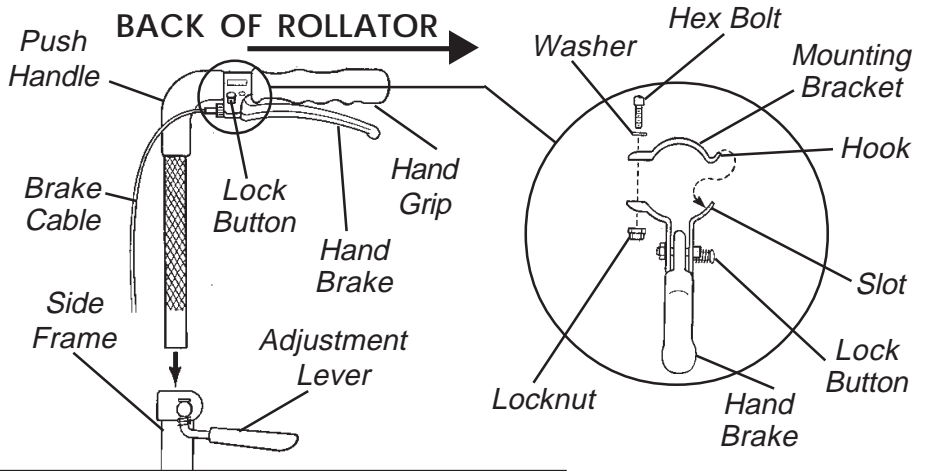
REMOVING/INSTALLING BRAKE WIRE - STEPS 1 AND 6



REMOVING/INSTALLING
BRAKE CABLE
- STEPS 2 AND 5



REMOVING/INSTALLING HAND BRAKE - STEPS 3 AND 4
(BEFORE 3/7/00) (BRAKE KITS ONLY)



REMOVING/INSTALLING HAND BRAKE - STEPS 3 AND 4 (AFTER 3/8/00)
(BRAKE KITS ONLY)

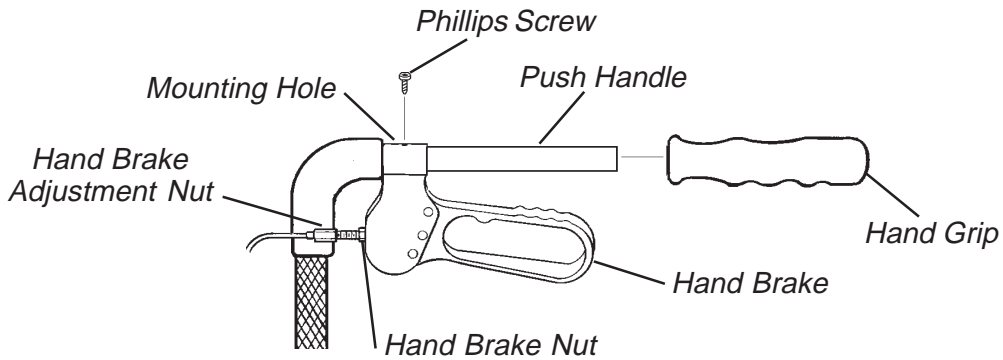


FIGURE 1 - REPLACING SPRINT CANES AND BRAKES

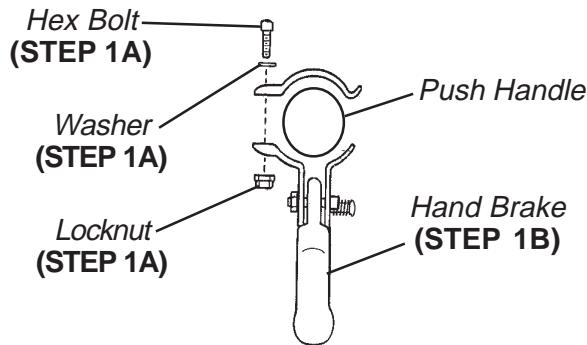
REPLACING SPARTAN CANES AND BRAKES

Preparing Spartan for Brake Replacement (FIGURE 2)

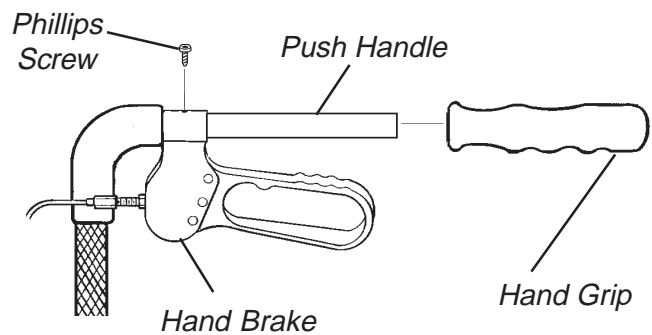
- Perform one (1) of the following:
 - INSTALLING BRAKE KIT (BEFORE 3/7/00)** - Remove EXISTING hand brake.
 - Remove the hex bolt, washer and locknut securing the hand brake to the push handle.
 - Remove the hand brake.
 - INSTALLING BRAKE KIT (AFTER 3/8/00)** - Remove EXISTING hand brake.
 - Remove EXISTING hand grip from the push handle and discard.
 - Remove the phillips screw securing the EXISTING hand brake to the push handle.

- Rotate adjustment lever counterclockwise to loosen. DO NOT remove.
 - Pull UP on the push handle to remove.
- Remove the tire. Perform the following:
 - Remove the cap covers from both sides of the tire.
 - Remove the screw and locknut that secure the tire to the rollator.
 - Remove the tire.
 - Replace the brake. Refer to REPLACING SPARTAN BRAKES in this procedure of the instruction sheet.

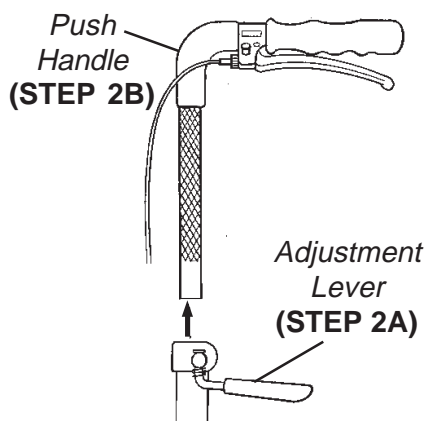
REMOVING THE HAND BRAKE - STEP 1 (BEFORE 3/7/00) (BRAKE KITS ONLY)



REMOVING THE HAND BRAKE - STEP 1 (AFTER 3/8/00) (BRAKE KITS ONLY)



REMOVING PUSH HANDLE - STEP 2 (CANE KITS ONLY)



REMOVING THE TIRE - STEP 3

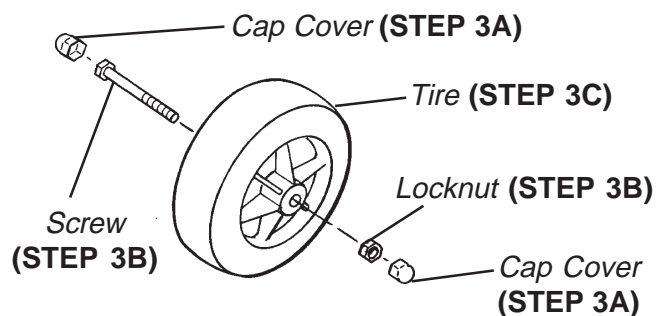


FIGURE 2 - REPLACING SPARTAN CANES AND BRAKES - PREPARING SPARTAN FOR BRAKE REPLACEMENT

Removing/Installing The Spartan Brake Pad Only (FIGURE 3)

1. Remove the tire. Perform the following as shown in DETAIL "A" of FIGURE 3:
 - A. Remove the cap covers from both sides of the tire.
 - B. Remove the screw and locknut that secure the tire to the rollator.
 - C. Remove the tire.
2. Remove the phillips screw securing the brake pad to the plunger assembly as shown in FIGURE 3.
3. Remove the brake pad from the rollator.
4. Align the mounting holes of the NEW brake pad and plunger assembly, as shown in FIGURE 3.
5. Install the phillips screw. Tighten securely.
6. Reverse STEP 1 to reinstall the tire

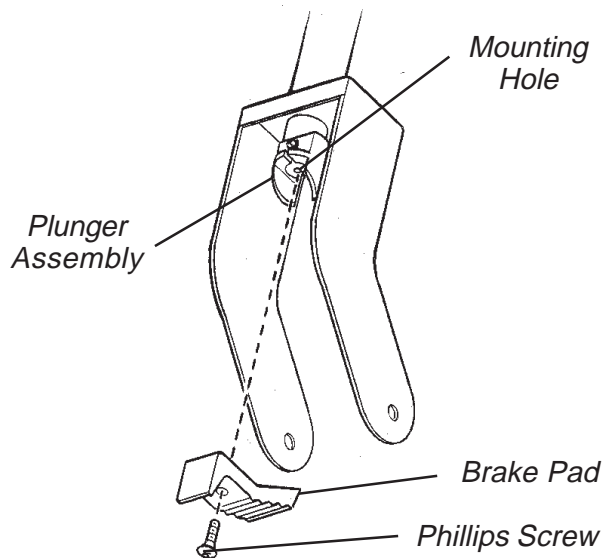
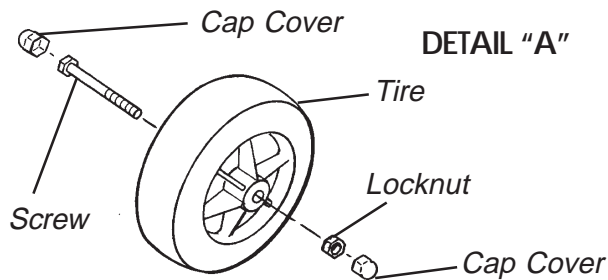


FIGURE 3 - REMOVING/INSTALLING THE SPARTAN BRAKE PAD

Replacing Spartan Brakes (FIGURE 4)

1. Remove the brake pad. Refer to REMOVING/INSTALLING THE SPARTAN BRAKE PADS in this procedure of the instruction sheet.
 2. Remove the plunger assembly. Perform the following:
 - A. Pry the plunger assembly out of the rollator leg with a flat screwdriver.
 3. Remove the EXISTING brake wire stop. Perform the following:
 - A. Depress and hold the plunger (small end of the plunger assembly).
 - B. With a flat screwdriver, pry the EXISTING brake wire stop up over the lip of the insert.
 - C. Pull the EXISTING brake wire stop down to pull the brake wire through the slot in the lip of the insert.
 4. Disassemble the plunger assembly. Perform the following:
 - A. Remove the insert from the plunger.
 - B. Position the EXISTING brake wire stop into the opening in the plunger slot.
 - C. Slide the spring off the plunger.
 - D. Remove the EXISTING brake wire from the plunger.
 5. Pull the EXISTING brake wire and cable UP through the rollator leg.
 6. Thread the end of the NEW brake wire and cable DOWN into the rollator leg.
 7. Assemble the plunger assembly. Perform the following:
 - A. Insert the NEW brake wire stop into the slot opening in the plunger.
 - B. Ensure NEW brake wire is positioned in the plunger slot as shown in FIGURE 4.
 - C. Slide the spring onto the plunger.
 - D. Slide the small end of the insert onto the plunger.
 8. Secure the NEW brake wire stop. Perform the following:
 - A. Align the slots on both the plunger and the insert.
 - B. Grasp and hold the wire stop.
 - C. Depress and hold the plunger.
 - D. Pull the wire stop up through the slot in the insert and over the lip.
 9. Insert the plunger end of the plunger assembly into the rollator leg.
- NOTE: A rubber mallet may be necessary to ensure the plunger assembly is fully inserted into the rollator leg.*
10. Reinstall the brake pad. Refer to REMOVING/INSTALLING THE SPARTAN BRAKE PADS in this procedure of the instruction sheet.
 11. Assemble the Spartan rollator for use. Refer to ASSEMBLING THE SPARTAN FOR USE in this procedure of the instruction sheet.

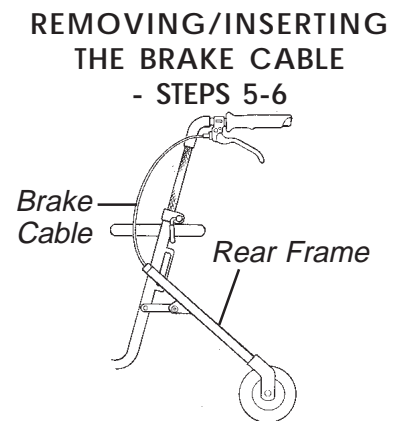
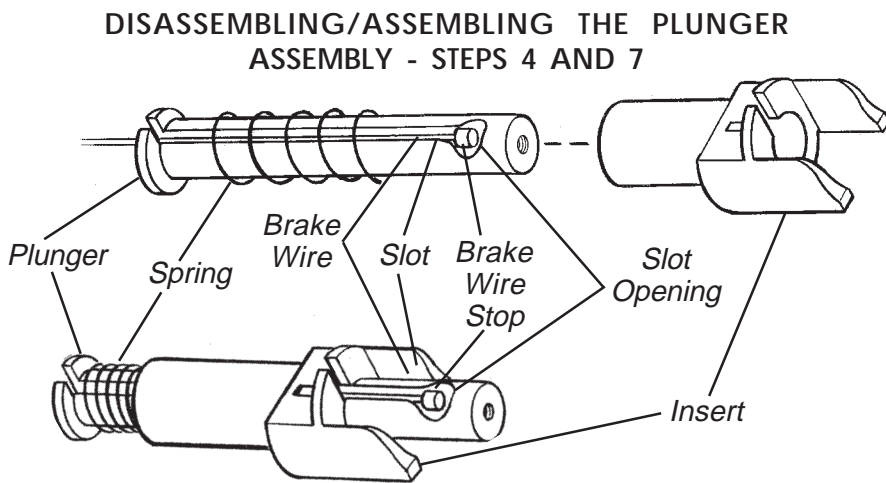
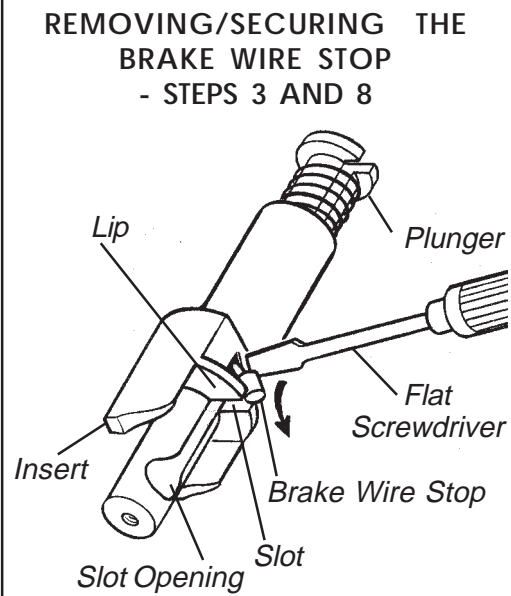
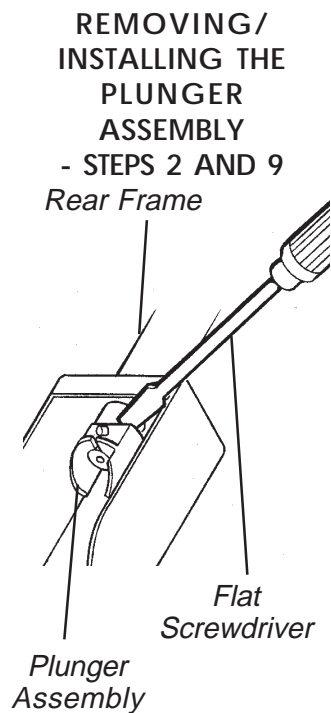


FIGURE 4 - REPLACING SPARTAN CANES AND BRAKES - REPLACING SPARTAN BRAKES

Assembling Spartan For Use (FIGURE 5)

NOTE: The Spartan rollator should only be assembled AFTER replacing spartan brakes. Refer to REPLACING SPARTAN BRAKES in this procedure of the instruction sheet.

1. Install tire. Perform the following:
 - A. Position the tire so the mounting holes are aligned with the mounting holes in the rollator leg.
 - B. Install the screw from the inside of the rollator, through both sets of mounting holes.

- C. Secure the tire to the rollator with the locknut. Tighten securely.
- D. Install the cap covers over the screw and locknut.
2. Perform one (1) of the following:

INSTALLING CANE KIT - Install the push handle. Perform the following:

- A. Remove the hex bolt, washer and locknut securing the hand brake to the push handle.

- B. Remove the hand brake.
- C. Turn the adjustment lever COUNTERCLOCK-WISE.
- D. Insert push handles into side frames with the hand grip facing the back of the rollator.

3. Perform one (1) of the following:

INSTALLING BRAKE KIT (BEFORE 3/7/00) -
Install NEW hand brake.

- A. Position the handbrake assembly under the push handle so the lock button is facing OUT, the tip of the hand brake is towards the end of the hand grip and the brake cable is AWAY from the hand grip.
- B. Position the hook portion of the hand brake clamp through the slot in the hand brake assembly.
- C. Install the washer, hex bolt and locknut to secure the hand brake assembly to the push handle.
- D. Securely tighten the locknut.

INSTALLING BRAKE KIT (AFTER 3/8/00) - Install NEW hand brake.

- A. Push the NEW hand brake onto the push handle.

NOTE: If necessary, twist the hand brake while pushing to install on the push handle.

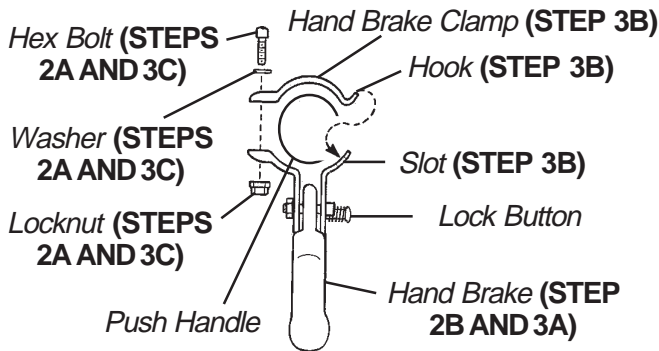
- B. Align the mounting holes of the NEW hand brake with the mounting hole in the push handle.
- C. Install the phillips screw through both mounting holes. Securely tighten.
- D. Apply a thin coat of hair spray on the inside of the foam grip and on the push handle.

NOTE: This application will make it easier to slide the grip onto the push handle.

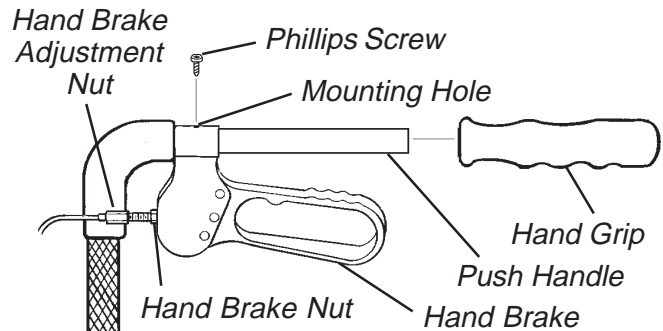
- E. Slide new grip onto one end of the push handle.

- 4. Adjust the push handle. Refer to ADJUSTING SPRINT AND SPARTAN PUSH HANDLES in this instruction sheet.
- 5. Adjust the hand brake. Refer to ADJUSTING SPRINT AND SPARTAN HAND BRAKES in this instruction sheet.

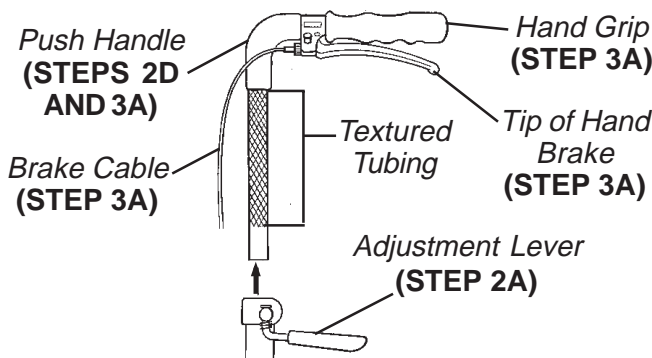
INSTALLING/REMOVING THE HAND BRAKE (BEFORE 3/7/00) - STEPS 2 AND 3



INSTALLING/REMOVING THE HAND BRAKE (AFTER 3/8/00) - STEPS 2 AND 3



INSTALLING PUSH HANDLE - STEPS 2 AND 3



INSTALLING THE TIRE - STEP 1

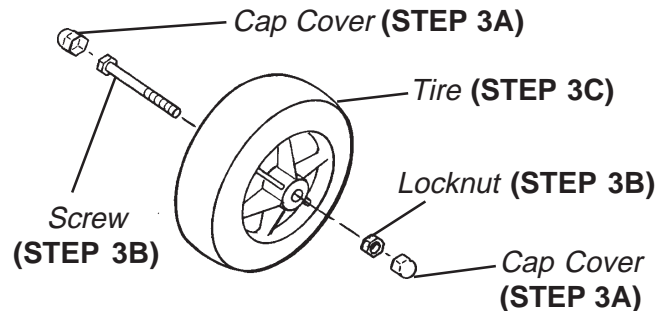


FIGURE 5 - REPLACING SPARTAN CANES AND BRAKES - ASSEMBLING SPARTAN FOR USE

ADJUSTING SPRINT AND SPARTAN PUSH HANDLES (FIGURE 6)

NOTE: For the most comfortable position, make sure the adjustment is performed while wearing the most frequently worn shoes.

NOTE: COUNTERCLOCKWISE/CLOCKWISE directions are determined by standing behind the rollator (users position).

1. Position the push handle so that when the user's arm is down to their side, the hand grip is at wrist height.

NOTE: This will ensure the arms are at an approximate 20°-30° bend when using the rollator.

2. Ensure that the push handle is adjusted **ONLY** where the tubing is textured (FIGURE 6).
3. Securely tighten push handle by turning adjustment lever **CLOCKWISE**.

NOTE: When securely tightened, the push handle should not move.

4. Before using the rollator, refer to USING HAND BRAKES in the Sprint and Spartan instruction sheet, Part Number 1076166.

ADJUSTING SPRINT AND SPARTAN HAND BRAKES

Adjusting Cable Brake Handle (FIGURE 6) (Before 3/7/00)

NOTE: Adjusting the cable brake handle will increase/decrease the cable brake handle tension.

NOTE: COUNTERCLOCKWISE/CLOCKWISE directions are determined by standing behind the rollator (users position).

1. Turn the cable brake handle locknut counterclockwise to loosen.
2. While holding the cable brake handle locknut with one (1) hand, perform one (1) of the following:
 - A. To increase tension, turn the screw mechanism **COUNTERCLOCKWISE**.
 - B. To decrease tension, turn the screw mechanism **CLOCKWISE**.
3. Securely tighten cable brake handle locknut by turning clockwise.
4. If the tension of the brake handle is **STILL** too loose/tight, refer to ADJUSTING CABLE ADJUSTER UNIT - WHEELASSEMBLY - SPRINT ONLY in this instruction sheet.

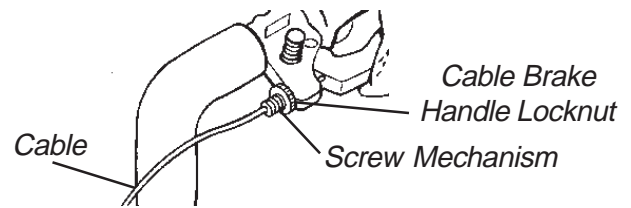


FIGURE 6 - ADJUSTING CABLE BRAKE HANDLE

Adjusting Cable Brake Handle (FIGURE 7) (Before 3/8/00)

NOTE: Adjusting the cable brake handle will increase/decrease the cable brake handle tension.

NOTE: COUNTERCLOCKWISE/CLOCKWISE directions are determined by standing behind the rollator (users position).

1. Loosen the brake handle adjustment nut by turning **CLOCKWISE**.
2. Do one (1) of the following:
 - A. **Loosen brake handle tension** - turn brake handle nut **COUNTERCLOCKWISE**.
 - B. **Tighten brake handle tension** - turn brake handle nut **CLOCKWISE**.
3. Turn the brake handle adjustment nut **CLOCKWISE** to secure in place.
4. Do one (1) of the following:
 - A. **Acceptable tension** - repeat STEPS 1 - 3 for opposite side, if necessary.
 - B. **Unacceptable tension** - refer to ADJUSTING CABLE ADJUSTER UNIT in this procedure of the instruction sheet.
5. Refer to LOCKING/UNLOCKING/USING HAND BRAKES in this instruction sheet.

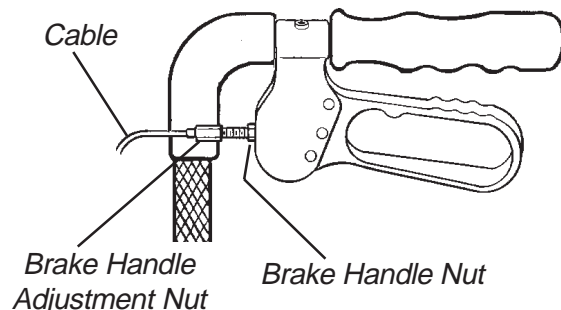


FIGURE 7 - ADJUSTING CABLE BRAKE HANDLE

Adjusting Cable Adjuster Unit - Wheel Assembly - MODEL 65400 ONLY (FIGURE 8)

NOTE: Adjusting the cable adjuster unit will increase/decrease the cable brake pressure on the wheels.

NOTE: COUNTERCLOCKWISE/CLOCKWISE directions are determined by standing behind the rollator (users position).

1. Loosen the cable brake adjuster unit locknut.
2. Do one (1) of the following:
 - A. To increase tension, turn the cable adjuster unit COUNTERCLOCKWISE.
 - B. To decrease tension, turn the cable adjuster unit CLOCKWISE.
3. Retighten the cable adjuster unit locknut.
4. Test the brake. If the tension of the brake handle is STILL too loose/tight, perform the following:
 - A. Repeat STEP 1.
 - B. Loosen the phillips screw on the brake clamp.
 - C. Pull the brake wire further through the brake clamp.

NOTE: There will be additional excess wire. It may be necessary to fold wire up to keep wire from interfering with brake action.

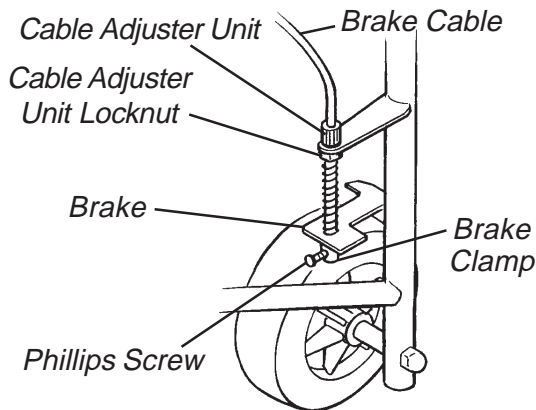


FIGURE 8 - ADJUSTING CABLE ADJUSTER UNIT - WHEEL ASSEMBLY - SPRINT ONLY

Adjusting Cable Adjuster Unit - Wheel Assembly - MODEL 65420 ONLY (FIGURE 9)

NOTE: Adjusting the cable adjuster unit will increase/decrease the cable brake pressure on the wheels.

NOTE: COUNTERCLOCKWISE/CLOCKWISE directions are determined by standing behind the rollator (users position).

1. Loosen the cable brake adjuster unit locknut.
2. Do one (1) of the following:
 - A. To increase tension, turn the cable adjuster unit COUNTERCLOCKWISE.
 - B. To decrease tension, turn the cable adjuster unit CLOCKWISE.
3. Retighten the cable adjuster unit locknut.
4. Test the brake. If the tension of the brake handle is STILL too loose/tight, repeat STEPS 1-3.

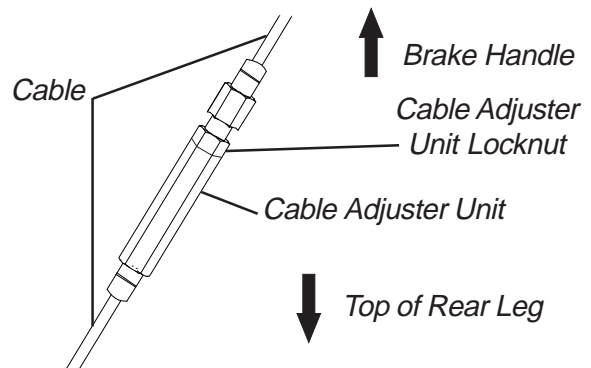


FIGURE 9 - ADJUSTING CABLE ADJUSTER UNIT - WHEEL ASSEMBLY - MODEL 65420 ONLY

REPLACING STINGRAY AND STARGAZER BRAKES (FIGURE 10)

NOTE: COUNTERCLOCKWISE/CLOCKWISE directions are determined by standing beside the rollator.

1. Remove the EXISTING brake wire. Perform the following:
 - A. Loosen the hex screw securing the EXISTING brake wire to the brake.
 - B. Loosen the caster housing nut.
 - C. Pull EXISTING brake cable up to pull brake wire through the hole in the brake and through the caster housing nut and caster housing adjustment nut.

NOTE: It may be necessary to straighten the end of the brake wire to pull it through the brake.

2. Pull EXISTING brake cable UP through the guide on the rollator frame to remove.
3. Perform one (1) of the following:

INSTALLING CANE KIT - Remove EXISTING push handle. Perform the following:

- A. Remove adjustment knobs and screws from both sides of the frame by turning COUNTERCLOCKWISE.
- B. Pull UP on the EXISTING push handle to remove from frame.

INSTALLING BRAKE KIT - Remove EXISTING hand brake. Perform the following:

- A. Remove the phillips screw securing the EXISTING hand brake to the push handle.
- B. Pull the back support out of the push handle.
- C. Pull the EXISTING hand brake off of the push handle.

NOTE: If necessary, twist the hand brake while pulling to remove it from the push handle.

4. Perform one (1) of the following:

INSTALLING CANE KIT - Install NEW push handle. Perform the following:

- A. Insert NEW push handles into frames.
- B. Align the mounting holes of the NEW push handle with the mounting holes in the frame.
- C. Install the screw from the inside of the frame through both sets of mounting holes.
- D. Install the adjustment knob on the outside of the frame by turning CLOCKWISE.

INSTALLING BRAKE KIT - Install NEW hand brake. Perform the following:

- A. Push the NEW hand brake onto the push handle.

NOTE: If necessary, twist the hand brake while pushing to install on the push handle.

- B. Push the back support into the push handle.
 - C. Align the mounting holes of the NEW hand brake with the mounting hole in the push handle.
 - D. Install the phillips screw through both mounting holes. Tighten until snug.
5. Thread NEW brake cable DOWN through the guide on the rollator frame.
 6. Install NEW brake wire. Perform the following:
 - A. If necessary, loosen the caster housing nut.
 - B. Thread NEW brake wire through caster housing adjustment nut, caster housing nut and hole in brake.
 - C. Tighten hex screw to secure NEW brake wire to brake.

NOTE: If necessary, bend the excess brake wire UP to keep it from interfering with brake action.

7. Adjust the push handle. Refer to ADJUSTING STINGRAY AND STARGAZER PUSH HANDLE in this instruction sheet.
8. Adjust the hand brakes. Refer to ADJUSTING STINGRAY AND STARGAZER HAND BRAKES in this instruction sheet.

ADJUSTING STINGRAY AND STARGAZER PUSH HANDLE (FIGURE 10)

NOTE: COUNTERCLOCKWISE/CLOCKWISE directions are determined by standing beside the rollator.

NOTE: For the most comfortable position, make sure the adjustment is performed while wearing the most frequently worn shoes.

1. Position the push handle so that when the user's arm is down to their side, the hand grip is at wrist height.

NOTE: This will ensure the arms are at an approximate 20° - 30° bend when using the rollator.

2. Do one (1) of the following:
 - A. **STINGRAY (MODEL 65500)** - install screw into one (1) of the six (6) adjustment holes.
 - B. **STARGAZER (MODEL 65600)** - install screw into one (1) of the four (4) adjustment holes.
3. Securely tighten with adjustment knob by turning CLOCKWISE.
4. Repeat STEPS 1 - 3 for the other side.

NOTE: When securely tightened, the push handles should not move.

ADJUSTING STINGRAY AND STARGAZER HAND BRAKES (FIGURE 10)

Adjusting Hand Brake

NOTE: COUNTERCLOCKWISE/CLOCKWISE directions are determined by standing behind the rollator (users position).

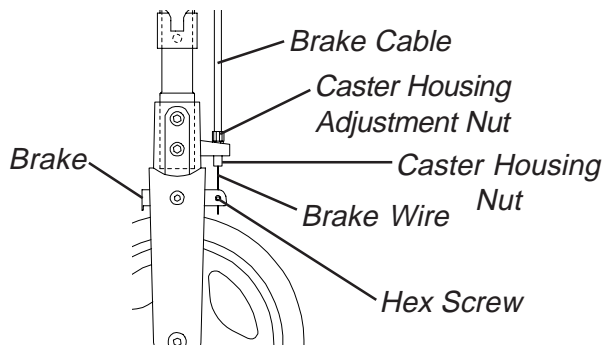
1. Loosen the hand brake adjustment nut by turning CLOCKWISE.
2. Perform one (1) of the following:
 - A. **Loosen hand brake tension** - turn hand brake nut COUNTERCLOCKWISE.
 - B. **Tighten hand brake tension** - turn hand brake nut CLOCKWISE.
3. Turn the hand brake adjustment nut CLOCKWISE to secure in place.

4. Perform one (1) of the following:
 - A. **Acceptable tension** - repeat STEPS 1 - 3 for opposite side, if necessary.
 - B. **Unacceptable tension** - refer to ADJUSTING CASTER HOUSING in this procedure of the instruction sheet.
5. Refer to **LOCKING/UNLOCKING/USING HAND BRAKES** in the Stingray/Stargazer instruction sheet Part Number 1076167.

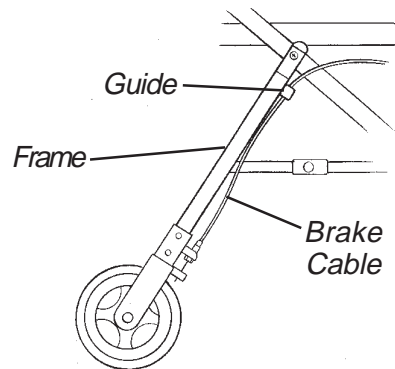
Adjusting Caster Housing

1. Turn the caster housing nut on the bottom COUNTERCLOCKWISE to loosen.
2. Turn the caster housing adjustment nut COUNTERCLOCKWISE to loosen.
3. Retighten caster housing adjustment nut and caster housing nut by turning CLOCKWISE.
4. Repeat STEPS 1 - 3 until tension is acceptable.

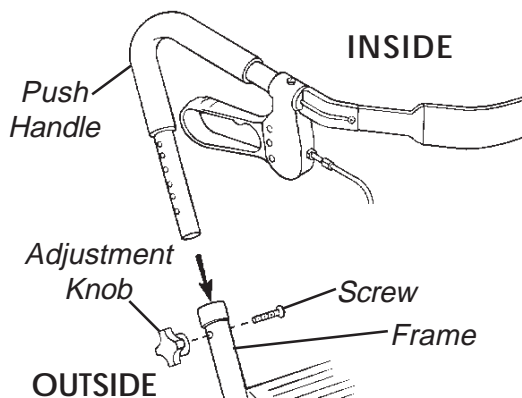
REPLACING BRAKE WIRE/ ADJUSTING CASTER HOUSING



REPLACING BRAKE CABLE



REPLACING/ADJUSTING PUSH HANDLE



REPLACING/ADJUSTING HAND BRAKE

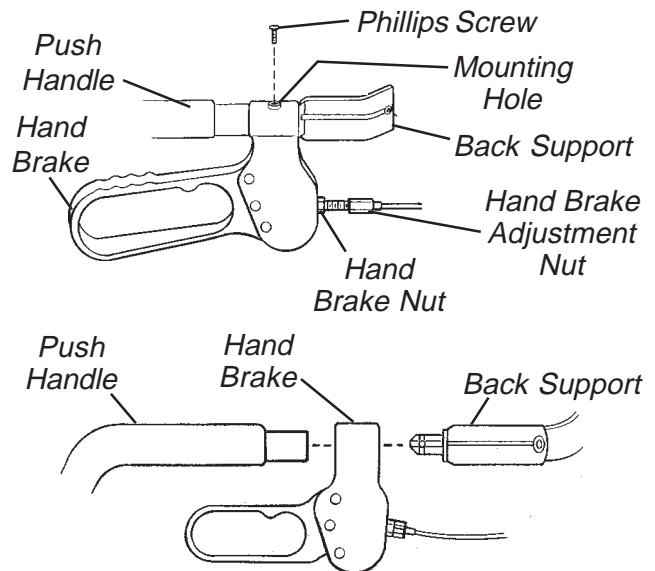


FIGURE 10 - REPLACING/ADJUSTING STINGRAY AND STARGAZER BRAKES/ ADJUSTING STINGRAY AND STARGAZER PUSH HANDLE

Removing/Installing The Stingray Brake Pad (FIGURE 11)

1. Remove the tire. Perform the following as shown in DETAIL "A" of FIGURE 11:
 - A. Remove the cap covers from both sides of the tire.
 - B. Remove the screw and locknut that secure the tire to the rollator forks.
 - C. Remove the tire.
2. Loosen the set screw securing the brake cable to the EXISTING brake pad assembly.
3. Remove the mounting screw and locknut that secures the EXISTING brake pad assembly to the rollator. Set mounting screw aside.

NOTE: It may be necessary to straighten the end of the brake wire to pull it through the brake pad assembly.

NOTE: Note the position and orientation of the EXISTING brake pad assembly prior to removing.

4. Pull the EXISTING brake pad assembly away from the rollator forks and discard.
5. Position the NEW brake pad assembly between the rollator forks and secure with the EXISTING mounting screw and locknut as shown in FIGURE 11. Securely tighten.

NOTE: The new set screw is shipped installed as part of the new brake pad assembly.

6. Insert brake wire through the new brake pad assembly and securely tighten the set screw.
7. Reverse STEP 1 to reinstall the tire.
8. Test brake, if necessary adjust brake.
9. If necessary, repeat STEPS 1-9 on remaining brake.

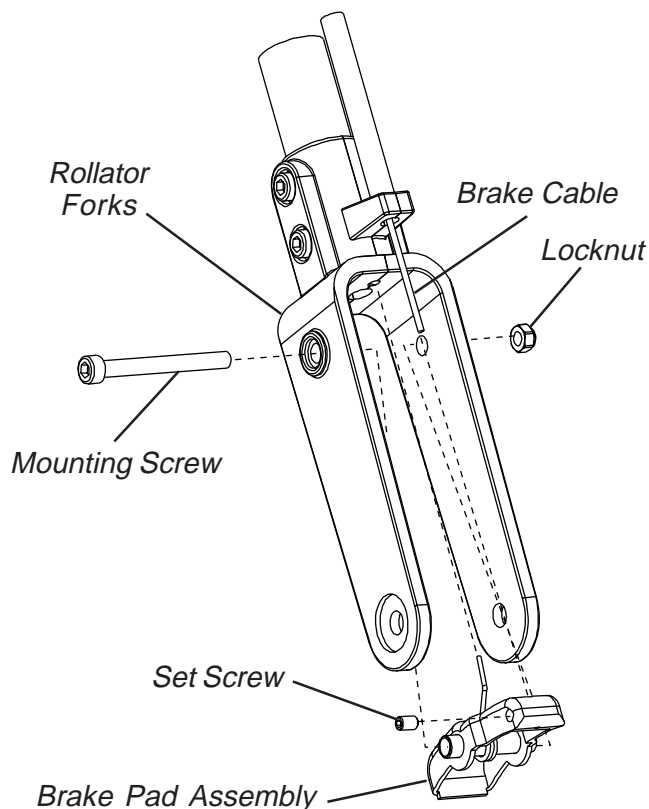
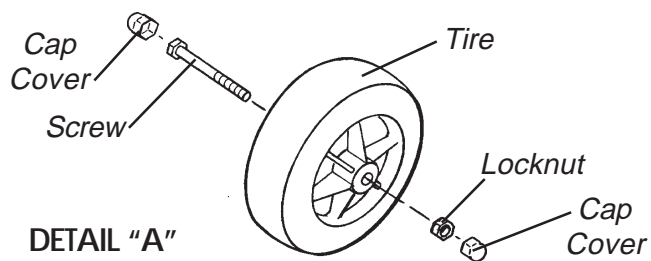


FIGURE 11 - REMOVING/INSTALLING THE STINGRAY BRAKE PAD

Invacare Corporation www.invacare.com



Yes, you can.™

USA
One Invacare Way
Elyria, Ohio USA
44036-2125
800-333-6900

Canada
5970 Chedworth Way
Mississauga, Ontario
L5R 3T9, Canada
905-890-8838

Invacare® and "Yes, you can" are trademarks of Invacare Corporation.
© 2001 Invacare Corporation
Form No. 98-146 Part No. 1076198 Rev C (1) 1/01