

Invacare®
Rehab
Seating &
Positioning
Products

Invacare® Rehab Seating & Positioning Products



Yes, you can.™

Invacare® Rehab Seating & Positioning Products

Innovative. Integrated. Intelligent.

When it comes to Seating and Positioning, Invacare offers the most advanced technology. Our rehab seating products provide optimal solutions for your most complex clients and are easily integrated with any of our mobility bases.



Invacare® Personal Back™ 10

The Personal Back™ 10 and Personal Back™ 10 Plus provide comfort, postural support, and spinal alignment.



Invacare® Infinity™ Cushions

The Infinity Cushions offer three contour choices combined with three choices of pressure reduction support media.



Invacare® Infinity™ Backs

The Infinity Backs are designed to provide outstanding support for individuals with a wide range of clinical needs.

Rehab Seating Solutions to Meet Every Client Need

With all the seating products available today, it can be difficult to select the right solution for your clients. Invacare offers a complete line of rehab seating and positioning products and accessories to simplify the selection and fitting process.

Invacare Rehab Seating and Positioning Products



Personal Back™ 10 **Personal Back™ 10 Plus**

Features aluminum shell, pre-drilled headrest pattern, and Quick Set™ hardware.



Infinity™ Cushions

Features a choice of postural support and pressure reduction media, Adjustable Pelvic Obliquity (ViscoFoam & FloGel®), and moisture-proof antimicrobial inner cover.



Infinity™ Backs

Features aluminum panels, choice of lateral and pelvic stabilizer contour, and Quick Set™ hardware (DualFlex™ 10 & UniBack™ 10).



The newly re-designed Invacare® Personal Back™ 10 and Personal Back™ 10 Plus combine simplicity of design with effectiveness of application. The highly popular Personal Backs continue to provide the comfort, postural support, and spinal alignment that you have come to expect. However, the new backs are now more easily installed and adjusted. Some of the features include:

- Lightweight aluminum shell
- Pre-contoured shell provides excellent contact and support
- Pre-drilled headrest pattern
- Quick Set™ hardware with increased adjustability



Personal Back™ 10

The Personal Back 10 is an excellent choice for clients who require comfort and stability with moderate midline support.



Personal Back™ 10 Plus

The Personal Back 10 Plus is an excellent choice for clients who require comfort and stability with increased midline support. It often is recommended when using the foam-in-place kit.



Lightweight, durable, aluminum shell is pre-contoured to provide excellent contact and support.



Pre-drilled headrest mounting pattern accommodates most major manufacturers' headrest systems.



Deep lateral contour of the Personal Back 10 Plus provides increased midline support without interfering with upper extremity range of motion.

Comfort and Support



Easy-to-use Foam-in-Place kit provides custom foam mold insert in minutes.



Increase sacral support with standard foam insert.



Optional viscoelastic foam lining is available for increased comfort.

Hardware and Adjustments

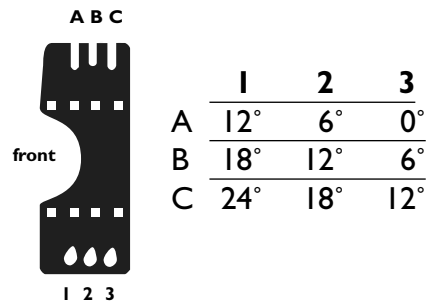


Each Quick Set™ hardware kit includes:

- (2) mounting plates
- (4) cane clamps
- (2) sets of carriage bolts
 - (4) 1" setting
 - (4) 7/8" setting
- (4) capped nut fasteners
- (1) 7/16" wrench

The self-adjusting cane clamps accommodate 7/8" or 1" cane tubing

Personal Back™ 10 Angle Measurements (Straight Back Canes)

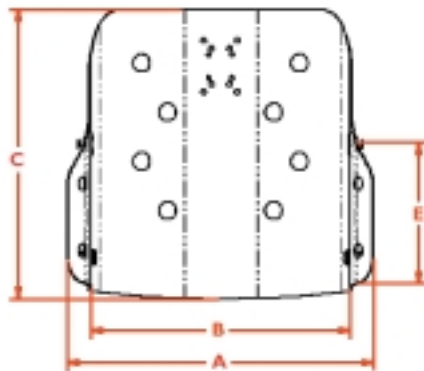


Dimensions

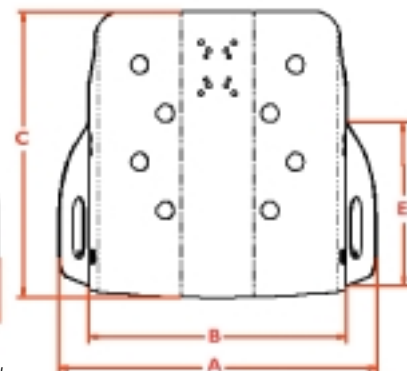
All measurements in inches; R=Regular Height, T=Tall Height.



Personal Back™ 10



Personal Back™ 10 Plus



Personal Back™ 10

	13R	13T	14R	14T	15R	15T	16R	16T	17R	17T	18R	18T	19R	19T	20R	20T
A	12.13	12.13	13.13	13.13	14.13	14.13	15.13	15.13	16.13	16.13	17.13	17.13	18.13	18.13	19.13	19.13
B	9.50	9.50	10.50	10.50	11.50	11.50	12.50	12.50	13.50	13.50	14.50	14.50	15.50	15.50	16.50	16.50
C	14.20	16.20	14.20	16.20	16.20	19.20	16.20	19.20	16.20	19.20	16.20	19.20	16.20	19.20	16.20	19.20
D	5.00	5.00	5.25	5.25	5.25	5.50	5.50	5.50	5.75	5.75	5.75	5.75	6.00	6.00	6.00	6.00
E	7.50	9.50	7.50	9.50	9.50	11.00	9.50	11.00	9.50	11.00	9.50	11.00	9.50	11.00	9.50	11.00

Personal Back™ 10 Plus

	13R	13T	14R	14T	15R	15T	16R	16T	17R	17T	18R	18T	19R	19T	20R	20T
A	13.00	13.00	14.00	14.00	15.00	15.00	16.00	16.00	17.00	17.00	18.00	18.00	19.00	19.00	20.00	20.00
B	9.50	9.50	10.50	10.50	11.50	11.50	12.50	12.50	13.50	13.50	14.50	14.50	15.50	15.50	16.50	16.50
C	14.20	16.20	14.20	16.20	16.20	19.20	16.20	19.20	16.20	19.20	16.20	19.20	16.20	19.20	16.20	19.20
D	6.50	6.75	6.75	7.00	7.00	7.25	7.00	7.25	7.25	7.50	7.25	7.50	7.50	7.75	7.50	7.75
E	7.50	9.50	7.50	9.50	9.50	11.00	9.50	11.00	9.50	11.00	9.50	11.00	9.50	11.00	9.50	11.00



The Invacare® Infinity™ Cushions are designed to meet not only an individual's clinical needs, but also accommodate personal seating preferences and lifestyle needs. The cushions offer three contour choices combined with three choices of pressure reduction support media. Some of the features include:

- Lo, Gentle and Max Contour postural support layers
- ViscoFoam, FloGel® and AirFlo™ pressure reduction support media
- Standard Adjustable Pelvic Obliquity
- Molded, visco-elastic foam pelvic support layer (ViscoFoam and FloGel®)



Lo Contour

Lo Contour is an excellent choice for clients who:

- Have good postural control
- Have low to normal muscle tone
- Laterally transfer
- Foot propel



Gentle Contour

Gentle Contour is an excellent choice for clients who:

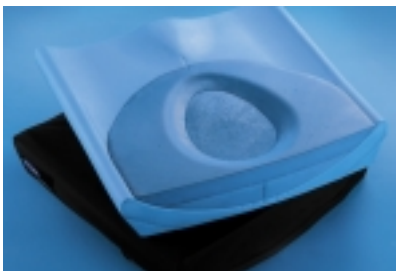
- Have moderate postural instability
- Require gentle control of tone
- Need moderate control of abduction/adduction tendency



Max Contour

Max Contour is an excellent choice for clients who:

- Require high level of postural control
- Need maximum control of tone
- Require optimal pressure reduction and redistribution



ViscoFoam

ViscoFoam is an excellent choice for clients who:

- Are at high risk of skin breakdown
- Require excellent support and stability
- Require a lightweight cushion



FloGel®

FloGel® is an excellent choice for clients who:

- Are at high risk of skin breakdown
- Require excellent support and stability
- Require good dynamic shear reduction



AirFlo™

AirFlo is an excellent choice for clients who:

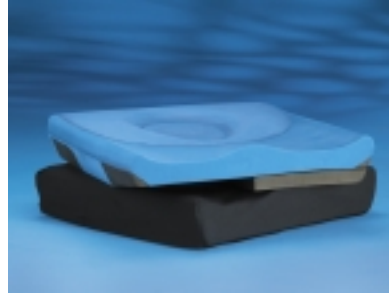
- Have a history of or are considered to be at very high risk of skin breakdown
- Require an air flotation insert for immersion of bony prominences
- Require a postural support base for stability

Adjustments and Modifications



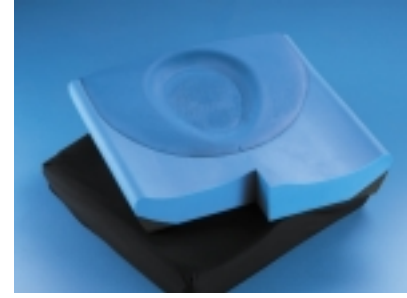
Adjustable Pelvic Obliquity (APO)

The standard APO allows accommodation of pelvic obliquities, increasing pelvic stability.



Removable Leg Wedges (RLW)

The optional RLW are easily removed to accommodate hamstring tightness, hip flexion limitations, or foot propulsion.



Leg Length Discrepancy (LLD)

The LLD option accommodates up to a two-inch leg length discrepancy.

Seat Accessories



Cushion Rigidizer

- Lightweight plastic seat insert
- Securely attaches to bottom of cushion inside cover
- Fits between seat rails for level support
- Eliminates hammock effect of seat upholstery

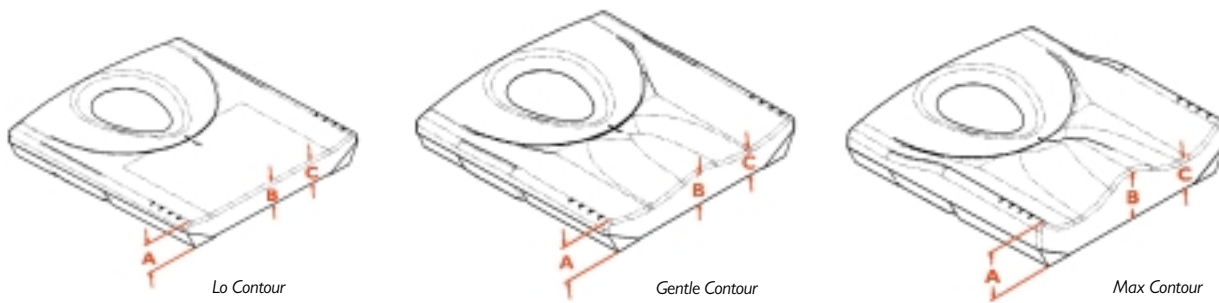


Infinity™ Drop Base

- Width adjustable: Three sizes fit wheelchairs from 14" to 22" wide
- Height angle adjustable: Up to 2" of drop provided
- Portable quick-release hardware allows easy removal of base from wheelchair

Contour Thickness

All measurements in inches



A= height at adductor
B= height at abductor
C= height at leg trough

	Lo Contour	Gentle Contour	Max Contour
A	2.75	3.00	4.00
B	2.25	3.00	4.50
C	2.25	2.25	2.75



Infinity™ Backs can be configured a vast number of ways to provide support, stability, and precise fit for a wide range of body sizes and types. They feature a highly modular design that allows a myriad of options to be created using only a few components. The backs are designed for individuals with a wide range of clinical needs, and are very easily adaptable for growth and change. Some of the features include:

- Choice of mild, max, and mixed contour Laterals and Pelvic Stabilizers
- Width-, depth-, height-, and angle-adjustable hardware
- Standard spinal relief column on UniBack™ 10 and DualFlex™ 10



UniBack™ 10

The UniBack 10 offers excellent comfort and stability for clients who require a straight back support.

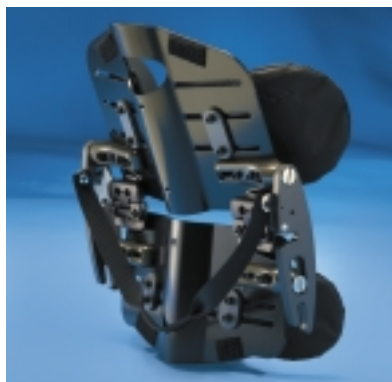


DualFlex™ 10

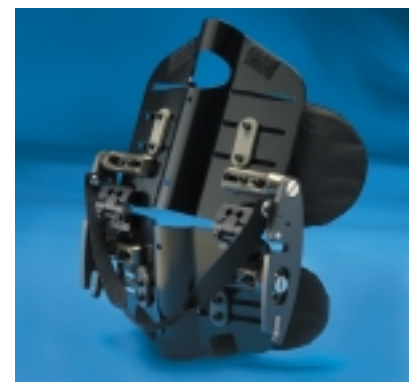
The DualFlex 10 provides optimal support for active clients who require a back support with bi-angular accommodation.



Both the DualFlex 10 and UniBack 10 accommodate prominent spinous processes with the spinal relief column.

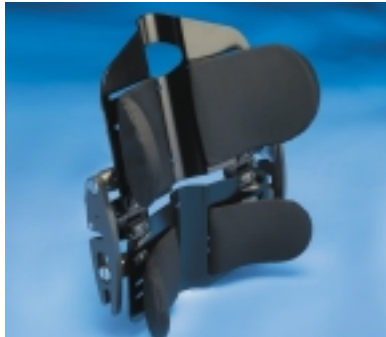


The DualFlex™ 10, with biangular hinge, can accommodate a moderate lordotic curve.



The biangular hinge of the DualFlex 10 also can accommodate a moderate kyphotic curve.

Mild, Max and Mixed Contour



Mild Contour



Max Contour

- UniBack™ 10 and DualFlex™ 10 backs come standard with width, height and angle-adjustable Pelvic Stabilizers and Lateral Supports
- Choice of Mild Contour for gentle support, deeper Max Contour for more aggressive midline positioning, or Mixed Contour for a combination of Mild and Max Contour supports
- Adjustable Laterals and Pelvic Stabilizers provide an intimate fit to the shape of each individual, even those with postural asymmetries
- Growth and change are easily accommodated through repositioning of Laterals and Pelvic Stabilizers

Hardware and Attachments



Quick Set™ Hardware

The Quick Set hardware allows installation and adjustment of the UniBack 10 and DualFlex 10 in minutes.



Universal Headrest Clamp

The Universal Headrest Clamp is available to provide easy attachment of Invacare headrests to the UniBack 10 and DualFlex 10.

Invacare® LoBack



The LoBack is designed for highly active clients requiring freedom of upper body movement. Some of the features include:

- Lightweight, attractive and portable
- Depth-, height- and angle-adjustable hardware allows precise placement within the wheelchair frame, optimizing the client's center of gravity and complimenting their active lifestyle
- 9" high back support complete with mild or max contour pelvic stabilizers gives outstanding support to the lower pelvis for comfortable, balanced posture
- Includes removable "modesty flap" which helps keep the seat cushion securely in place



Full Tray - Hook and Loop Mount

- Break-resistant clear polycarbonate tray surface
- Easily attaches to chair armrest with hook and loop straps
- Removable trim allows thorough cleaning



Full Tray - Slide-on Mount

- Break-resistant clear polyester resin tray surface
- Width adjustable mounting hardware securely fastens tray to chair arm pads
- Molded-in rim helps keep items on tray



Half Tray - Swingaway

- Break-resistant clear polycarbonate tray surface
- Tray securely bolts to wheelchair armrest
- Tray easily swings away when not in use



Belts and Straps

- Three sizes of shoulder supports fit child, junior and adult
- Three sizes of padded lap belts fit child, junior and adult - pinch release buckles
- Push-button style release provides secure attachment
- Three sizes of four-point lap belt to fit child, junior and adult - push button release buckle



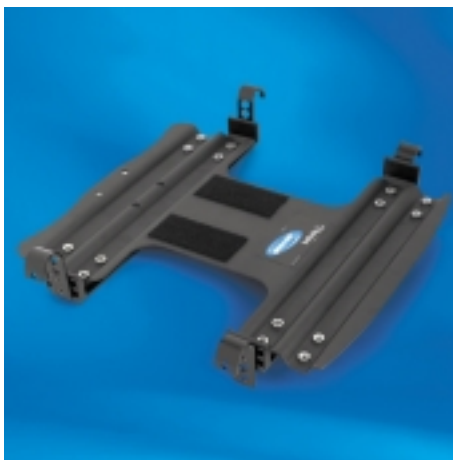
Basic Headrest

- Padded to provide comfortable occipital support
- Horizontal and vertical adjustable hardware
- Outer cover easily removes for laundering



Adjustable Headrests

- Contoured head and neck supports available in four styles
- Dual-ball swivel hardware for multi-plane adjustment
- Durable steel reinforced polyurethane pads - easily wipes clean



Infinity™ Drop Base

- Width adjustable: Three sizes fit wheelchairs from 14" to 22" wide
- Height-, angle-adjustable: Up to 2" of drop provided
- Portable quick-release hardware allows easy removal of base from wheelchair



Foam-In-Place Kit

- Easy-to-use Foam-in-Place kit provides custom foam mold insert in minutes
- Can be used with Personal Back™ 10/Personal Back™ 10 Plus



Yes, you can.™

General Information*

Personal Backs

	Personal Back™ 10	Personal Back™ 10 Plus
Back Height	14", 16", 19"	14", 16", 19"
Back Width	13" – 20"	13" – 20"
Product Weight	5 lb.	6 lb.
Weight Capacity	250 lb.	250 lb.
Warranty	2-year limited	2-year limited

Infinity Cushions

	Lo Contour	Gentle Contour	Max Contour
Seat Width	13" – 22"	13" – 22"	13" – 22"
Seat Depth	15" – 20"	15" – 20"	15" – 20"
Product Weight	4 lb.	4 lb.	4 lb.
Weight Capacity	250 lb.	250 lb.	250 lb.
Warranty	2-year limited	2-year limited	2-year limited

Infinity Backs

	Lo Back	UniBack™ 10	DualFlex™ 10
Back Height	9"	14", 16", 19"	14", 16", 19"
Back Width	14" – 22"	14" – 22"	14" – 22"
Product Weight	3 lb.	7 lb.	7 lb.
Weight Capacity	250 lb.	250 lb.	250 lb.
Warranty	2-year limited	2-year limited	2-year limited

*All weights and measurements are approximate

Invacare Corporation
www.invacare.com

USA

One Invacare Way
Elyria, Ohio
44036-2125
(800) 333-6900

Canada

Invacare Canada Inc.
570 Matheson Blvd E
Unit 8
Mississauga Ontario
L4Z 4G4 Canada

Invacare, is a registered trademark and Yes, you can., the blue medallion design, Personal Back, Infinity, QuickSet, AirFlo, UniBack and DualFlex are trademarks of Invacare Corporation. FloGel is a registered trademark of S.N.F. Specifications are subject to change without notification.

© 2003

Invacare Corporation

Form No. 03-079



"Invacare says 'Yes, you can',
and I couldn't have said it
better myself."