

**Power Tilt Only (PTO-PR)
For
Pronto®R2™
Powered Wheelchairs**



Parts Catalog Usage Guide

The information contained in this document is subject to change without notice. This catalog contains service parts for Form No. 01-039. If you have any questions regarding this catalog, please contact one of our Customer Service Representatives.

For Customer Service Support Call:

1-800-333-6900

For Faxed In Orders Call:

1-800-678-4682 or

1-440-366-0709

For Technical Service Call:

1-800-832-4707

Literature Can Be Found at:

www.invacare.com or

1-800-828-6272

SYMBOL DEFINITION

Throughout this catalog you will notice letters to draw your attention to specific footnotes which are located at the bottom of the page or below specified charts.

Examples:

A,B,C etc. = Special Comments

NOTE: = General information pertaining to that specific page

NLA = No Longer Available

HARDWARE MEASUREMENTS

The measurements for the hardware will be listed as follows:

Screws, Bolts Diameter X Thread Count/Pitch X Length

Washers Inside Diameter X Outside Diameter X Thickness

Spacers Inside Diameter X Outside Diameter X Length

For your convenience, we have supplied an area for you to list your Invacare Representatives.

Name	Phone Numbers

© 2012 Invacare Corporation. Elyria, Ohio. Invacare, Yes, you can., the Blue Medallion Design, Pronto and Tarsys are registered trademarks and R2 and MKIV are trademarks of Invacare Corporation.

TABLE of CONTENTS

Description	Page Number
Accessories - Headrest Support Assembly - ABS & Metal Curved Backs	64
Accessories - Headrest Support Assembly - Back Cane Only Option	66
Accessories - Lateral Support Assembly	68
Accessories - Power Wheelchair Tool Kit	73
Accessories - Seat Positioning Straps	71
Actuator Motor w/ Mounting Hardware	13
Arms - Adjustable Height - Seat Frames (14"-15" Deep)	43
Arms - Adjustable Height - Seat Frames (16"-22" Deep)	41
Backs - ABS Curved Assembly	26
Backs - Hardware - ABS Curved Mounting	36
Backs - Hardware - Metal Curved Mounting	38
Backs - Metal Curved Assembly	31
Canes - Back w/ Attaching Hardware	23
Electronics - Tilt Recline Single Switch (TRSS)	62
Frame - Base Seat Mounting Extrusions	5
Frame - Hardware - Seat - ASBA (14"-15" Wide)	17
Frame - Hardware - Seat - ASBA (16"-22" Wide)	15
Frame - Rear w/ Mounting Hardware	7
Frame - Seat Support & Mounting Hardware	9
Front Riggings - Articulating Legests - PAS4A/PAL4A	50
Front Riggings - Calf Pads & Attaching Hardware	54

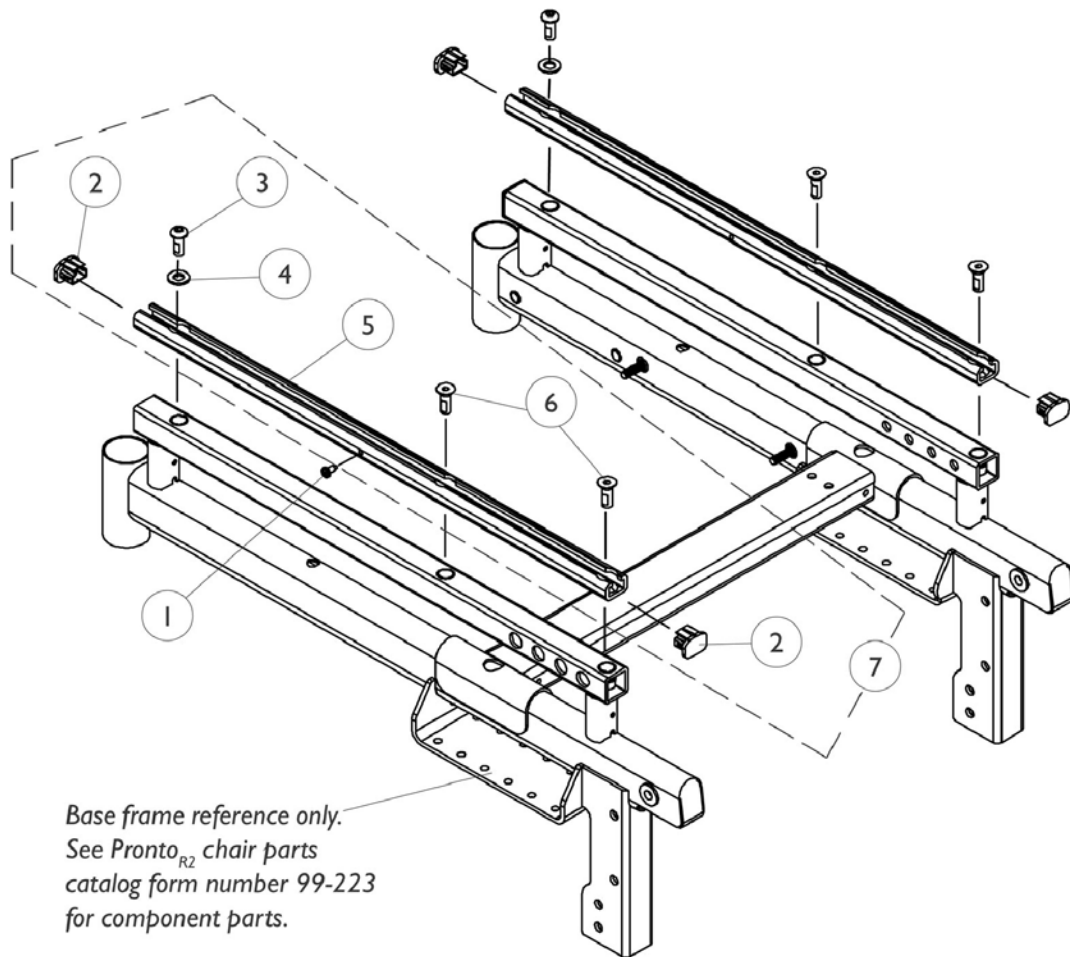
TABLE of CONTENTS

Description	Page Number
Front Riggings - Footrest & Legrest Accessories	60
Front Riggings - Footrest Supports - PW93	56
Front Riggings - Front Rigging Hanger Assembly - Pin Style	47
Front Riggings - Legrest Release Handles & Ratchets	52
Front Riggings - Legrest Supports - P904A	48
Front Riggings - Pivot & Slide Tube w/ STD. (1650), Deluxe (1450) and X-Large (1350) Aluminum Footplates	58
Front Riggings - Reference Chart	45
Packaging - Cartons & Literature	4
Seat - Mounting Hardware - ASBA (14"-15" Wide)	19
Seat - Mounting Hardware - ASBA (16"-22" Wide)	21
Seat Pan w/ Mounting Hardware	39
Tilt Link & Front Support Bracket Hardware	11

Packaging and Literature

Item Number	Note	Part Number	Description	Quantity Per	
				Package	Assembly
	A,D	See Chart	See Chart	--	--
	A,B	1030364	Carton, Cover	1	1
	A,C	1036028	Carton, Cover	1	1
	A	1015609-NLA	NLA - Bag, Poly (28" W x 44" D x 80" H)	1	1
	A,B	1030362	Carton, Tray	1	1
	A,C	1036027	Carton, Tray	1	1
	A	1134791	Owner's Manual, 3G Storm with MKIV Electronics	1	1
	A,E	1164348	Mailer, Return, Mercury Free	1	1
<p>NOTE: A - Not Shown B - 12" W-20" W Seating System C - 21" W-22" W Seating System D - Wood Skid is not supplied E - For Massachusetts providers only</p> <p>NOTE: When adjusting or replacing parts, please refer to your Owner's Manual for assistance.</p>					

Base Frame Seat Mounting Extrusions



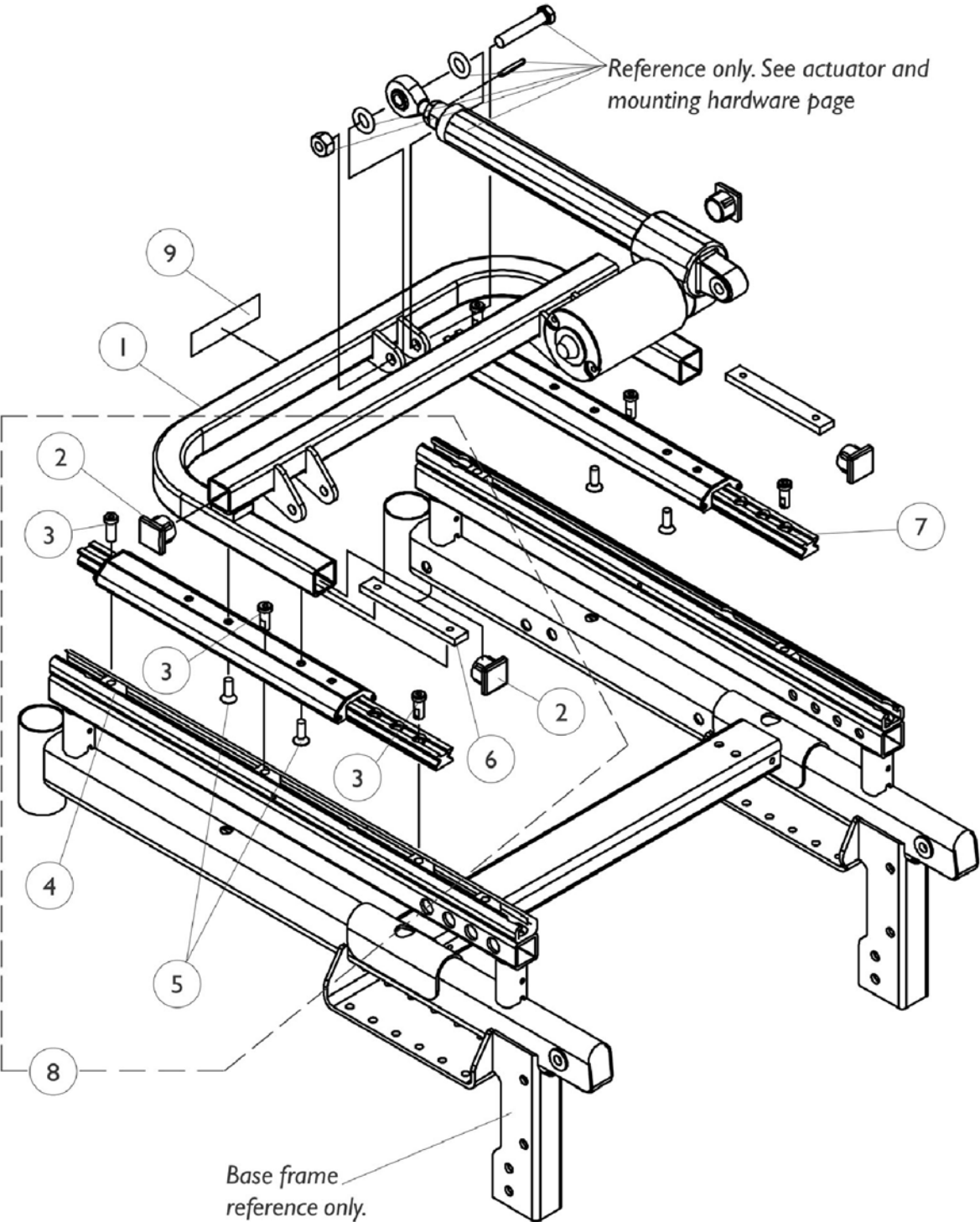
Base frame reference only.
See Pronto_{R2} chair parts
catalog form number 99-223
for component parts.

Base Frame Seat Mounting Extrusions

Item Number	Note	Part Number	Description	Quantity Per	
				Package	Assembly
1		1025729	Screw, Phillips Pan Head Tap (#8-32 x 3/8")	1	2
2		1096769	Cap, End, Black	1	4
3		1065215	Screw, Socket Button Head w/ Patch (5/16-18 x 3/4")	1	2
4		1025704	Washer, Flat (5/16 x 5/8 x 1/16")	1	2
5		1098872-NLA	NLA - Extrusion, Seat Mounting	1	2
6		1095586-NLA	NLA - Screw, Socket Flat Head w/ Patch (5/16-18 x 7/8")	1	4
7	A	1098302-NLA	NLA - Extrusion, Seat Mounting and Hardware (Pair)	2	1

NOTE: A - Includes items 2-6

Rear Frame w/ Mounting Hardware

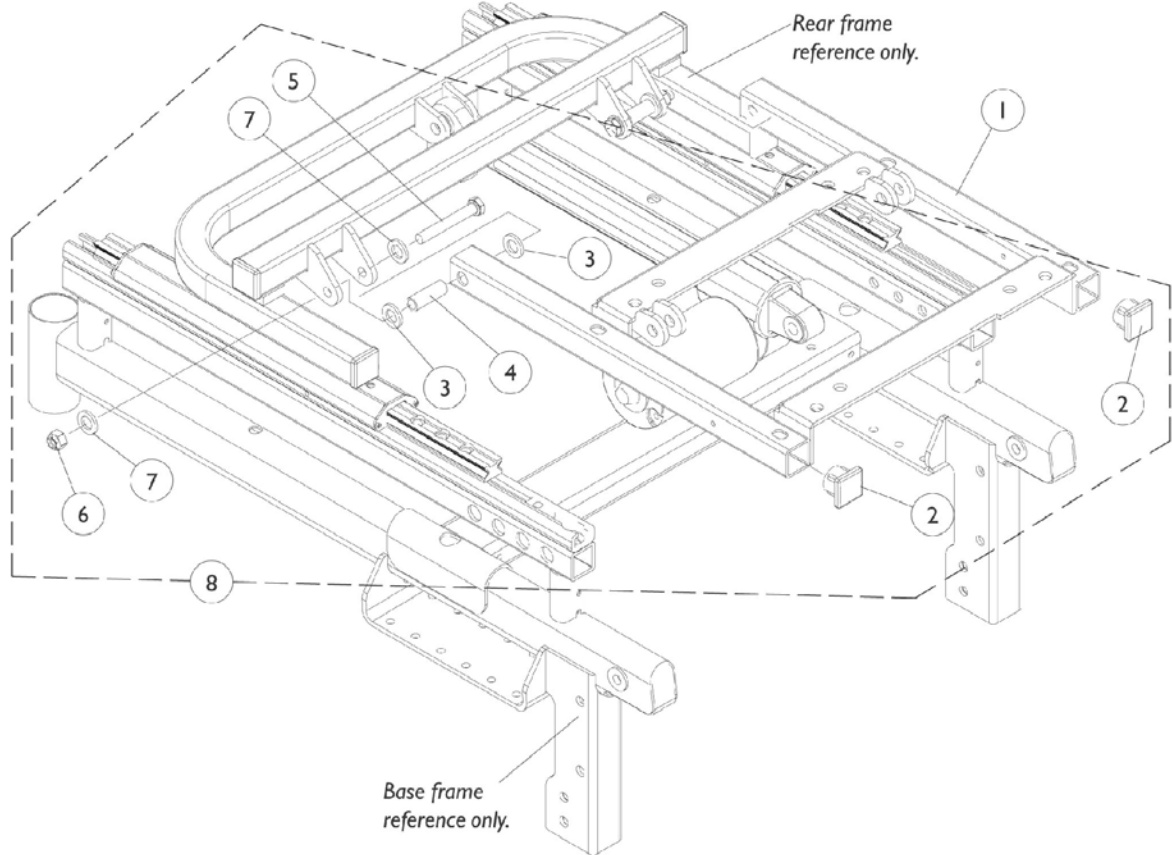


Rear Frame w/ Mounting Hardware

Item Number	Note	Part Number	Description	Quantity Per	
				Package	Assembly
1		1087632	Frame Assembly w/o Decal, Black - Rear	1	1
2		1071237	Plug Button, Square, Black (1")	1	4
3		1117326	Screw, Socket Head w/ Patch (5/16-18 x 7/8")	1	6
4		1069724	T-Nut (5/16-18)	1	7
5		1091869	Screw, Socket Flat Head w/ Patch (1/4-20 x 3/4")	1	4
6		1087652	Bar, Clamp, Color	1	2
7		1087732-NLA	NLA - Guide, Linear	1	2
8	A	1106550	Hardware, Rear Frame Mounting	1	1
9		1087602	Decal, Invacare Power Tilt Only	1	1

NOTE: A - Includes items 2-6; less Linear Guidance

Seat Frame Support & Mounting Hardware

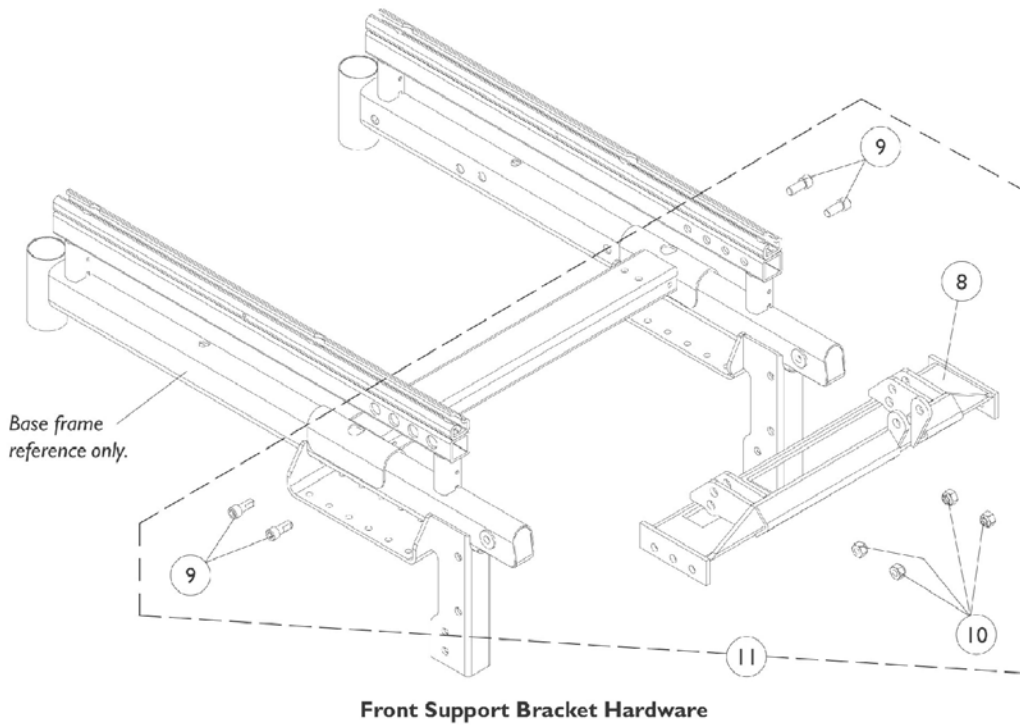
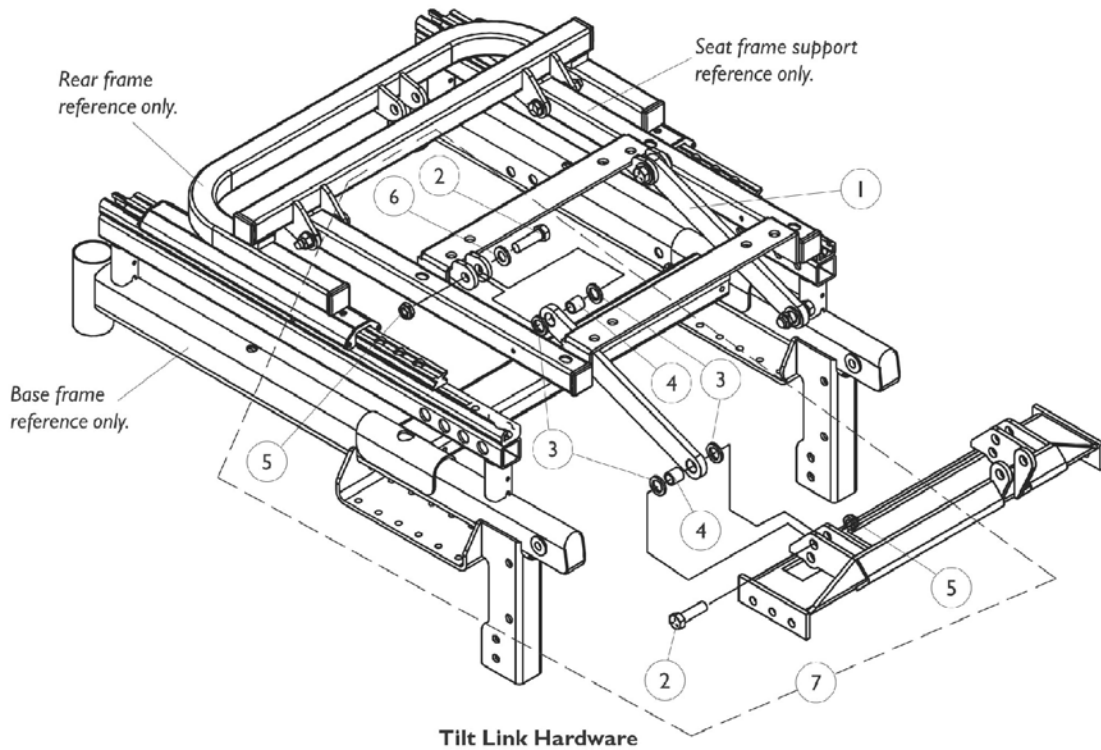


Seat Frame Support & Mounting Hardware

Item Number	Note	Part Number	Description	Quantity Per	
				Package	Assembly
1	B	1087626	Support, Seat Frame	1	1
1	C	1121053-NLA	NLA - Support, Seat Frame and Spacer Plate with Hardware	1	1
2		1071237	Plug Button, Square, Black (1")	1	2
3		0055800	Washer, Nylon (7/16 x 3/4 x 3/32")	1	4
4		0060300	Bushing, Bronze (5/16 x 7/16 x 1-1/4")	1	2
5		1070412	Screw, Hex Head (5/16-18 x 2-1/4")	1	2
6		1026158	Locknut (5/16-18)	1	2
7		1025704	Washer, Flat (5/16 x 5/8 x 1/16")	1	4
8	A	1106540	Hardware, Seat Frame Support Mounting	1	1

NOTE: A - Includes items 2-7
 B - Seat support frame revised 2/17/03 to accommodate a spacer plate for 14"-15" wide seat frames. For 14"-15" wide PTO models made before 2/17/03 order Item 1 part number 1121053. The revised support frame is still used for all 16"-22" wide PTO models.
 C - Used for 14"-15" wide PTO models made before 2/17/03. Spacer plate and hardware included. Spacer plate can be found on the A.S.B.A. Seat Mounting Hardware page.

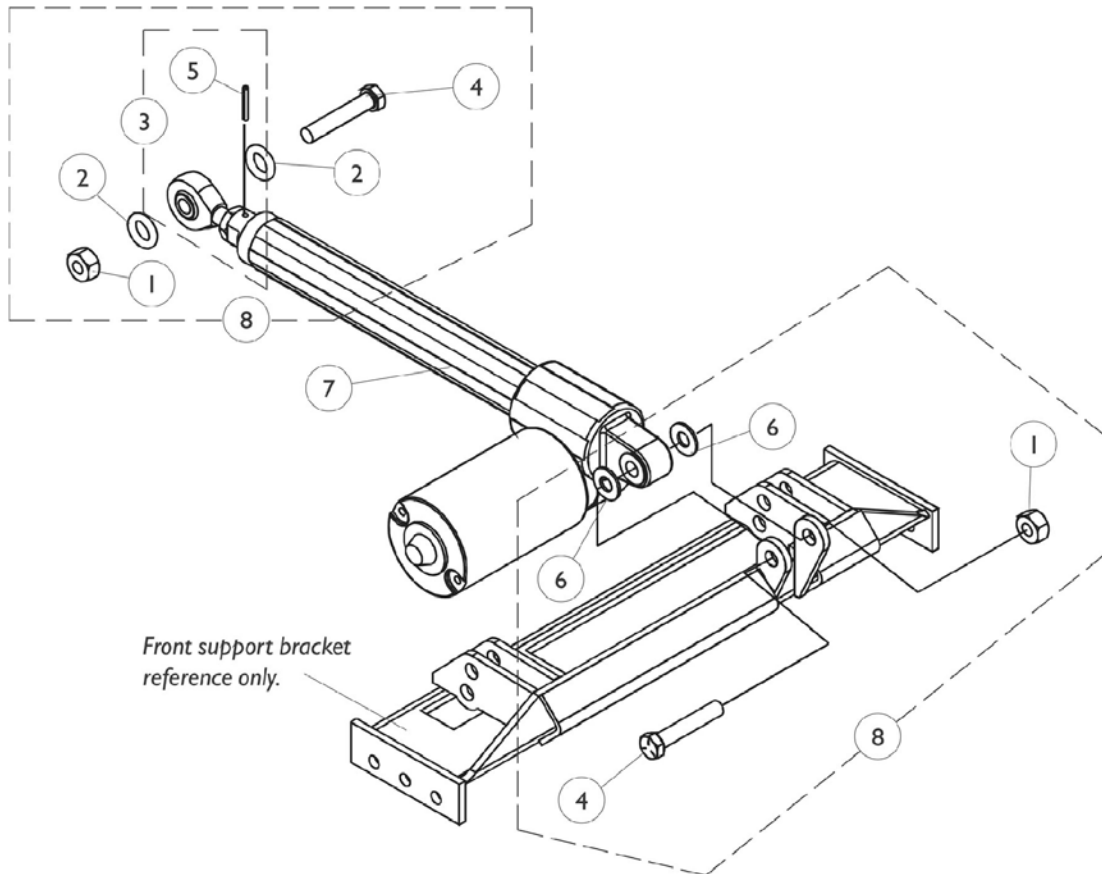
Tilt Link & Front Support Bracket Hardware



Tilt Link & Front Support Bracket Hardware

Item Number	Note	Part Number	Description	Quantity Per	
				Package	Assembly
1		1087634	Link, Tilt, Black	1	2
2		1107708	Screw, Shoulder Hex Socket Head (3/8 x 3/4", 5/16-18)	1	4
3		0139900	Washer, Nylon (1/2 x 3/4 x 3/32")	1	8
4		1087636-NLA	NLA - Bushing, Bronze (3/8 x 1/2 x 1/2")	1	4
5		1028769	Locknut (5/16-18)	1	4
6		20105X000	Washer, Flat (1/4 x 5/8 x 1/16")	1	2
7	A	1106541-NLA	NLA - Hardware, Tilt Link Mounting	1	1
8		1106393-NLA	NLA - Bracket, Support, Front, Black	1	1
9		1086944	Screw, Socket Head (5/16-18 x 3/4")	1	4
10		1026158	Locknut (5/16-18)	1	4
11	B	1106551-NLA	NLA - Kit, Front Support Bracket Hardware	1	1
NOTE: A - Includes items 2-6 B - Includes items 8-10					

Actuator Motor w/ Mounting Hardware



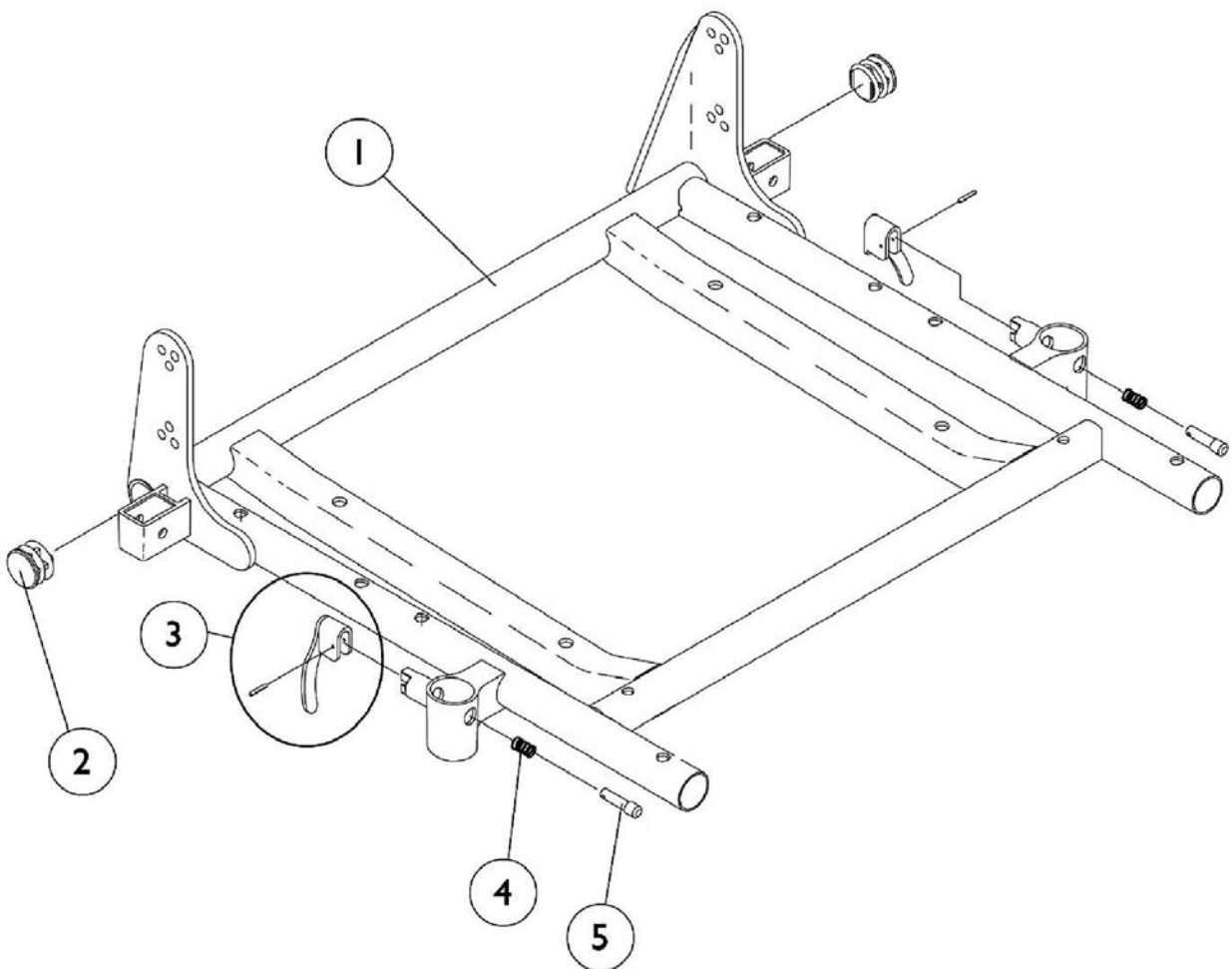
Actuator Motor w/ Mounting Hardware

Item Number	Note	Part Number	Description	Quantity Per	
				Package	Assembly
1		0054106	Locknut, High Profile (3/8-16)	1	2
2		0056000	O-Ring (1/2 x 7/8 x 3/16")	1	2
3		0313900-NLA	NLA - Rod, End with Locknut and Roll Pin	1	1
4		0054606	Screw, Hex Head (3/8-16 x 2")	1	2
5		1028848	Pin, Roll (1/8" x 7/8")	1	1
6		0053900	Washer, Nylon (3/8 x 13/16 x 1/16")	1	2
7	A	1154068	Kit, Actuator Motor, 6-1/2" Stroke	1	1
			Actuator Motor Assembly (6-1/2" Stroke)	1	1
			Pin, Roll (1/8" x 7/8")	1	1
			Instruction Sheet, PTO Actuator Installation	1	1
8	B	1107118	Hardware, Actuator Mounting	1	1

NOTE: A - Includes item 3, Actuator Motor & Instruction Sheet
 B - Includes items 1, 2 and 4-6

ASBA Seat Frame and Hardware (16"-22" Wide)

When a PTO kit is configured for the first time, the kit will include all INTERFACING HARDWARE to convert an EXISTING customers ASBA seat assembly into a PTO - Power Tilt Only seating system. If a complete ASBA seat assembly is required, call Invacare's customer service department for assistance and a complete ASBA seat assembly will be configured separately as well.



ASBA Seat Frame and Hardware (16"-22" Wide)

When a PTO kit is configured for the first time, the kit will include all INTERFACING HARDWARE to convert an EXISTING customers ASBA seat assembly into a PTO - Power Tilt Only seating system. If a complete ASBA seat assembly is required, call Invacare's customer service department for assistance and a complete ASBA seat assembly will be configured separately as well.

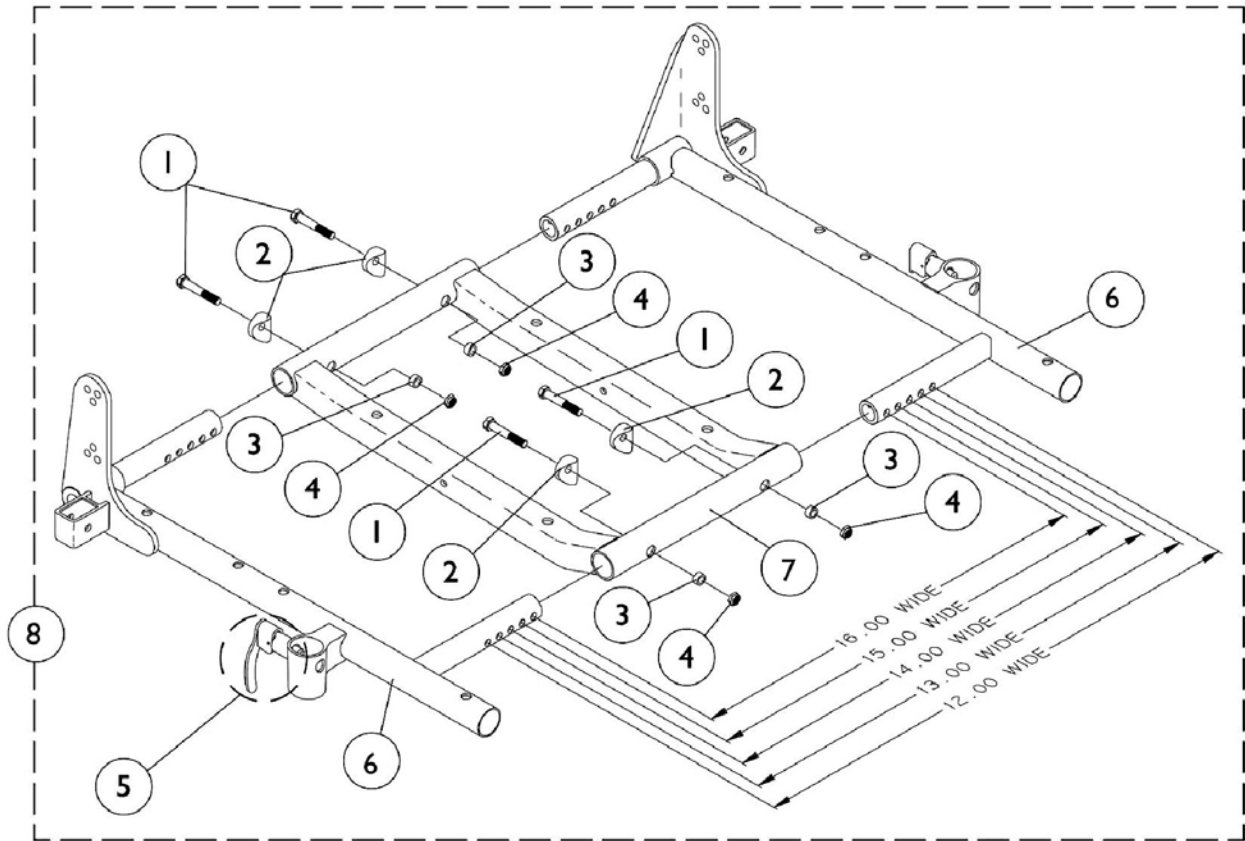
Item Number	Note	Part Number	Description	Quantity Per	
				Package	Assembly
1	A	See Chart	#1 ASBA Seat Frame and Hardware (16"-22" Wide)	1	1
2		1029501	Plug Button, Black (1")	1	2
3		1090768	Kit, Lock Handle w/Rivets (Pair)	2	1
4		47471X074	Spring, Arm Lock	1	2
5		1028594	Pin, Arm Lock, Black	1	2

NOTE: A - Includes seat frame and items 2-5

#1 Seat Frame with Hardware

Seat Width	16" - 17" Deep	18" - 19" Deep	20" - 21" Deep	22" Deep
16" W	1070672	1070681	1070690	1070699
17" W	1070673	1070682	1070691	1070700
18" W	1070674	1070683	1070692	1070701
19" W	1070675	1070684	1070693	1070702
20" W	1070676	1070685	1070694	1070703
21" W	1070677	1070686	1070695	1070704
22" W	1070678	1070687	1070696	1070705

ASBA Seat Frame and Hardware (14"-15" Wide)



ASBA Seat Frame and Hardware (14"-15" Wide)

Item Number	Note	Part Number	Description	Quantity Per	
				Package	Assembly
1		1037610	Screw, Hex Head (1/4-20 x 1-5/8")	1	4
2		1026099	Spacer, Coved (1/4 x 11/16 x 1/2")	1	4
3		1047449	Spacer (1/4 x 3/8 x 3/16")	1	4
4		1025736	Locknut (1/4-20)	1	4
5		47471X074	Spring, Arm Lock	1	1
5		1028594	Pin, Arm Lock, Black	1	1
5		1090768	Kit, Lock Handle w/Rivets (Pair)	2	1
6-8		See Chart	#'s 6-8 ASBA Seat Frame and Hardware (14"-15" Wide)	1	1

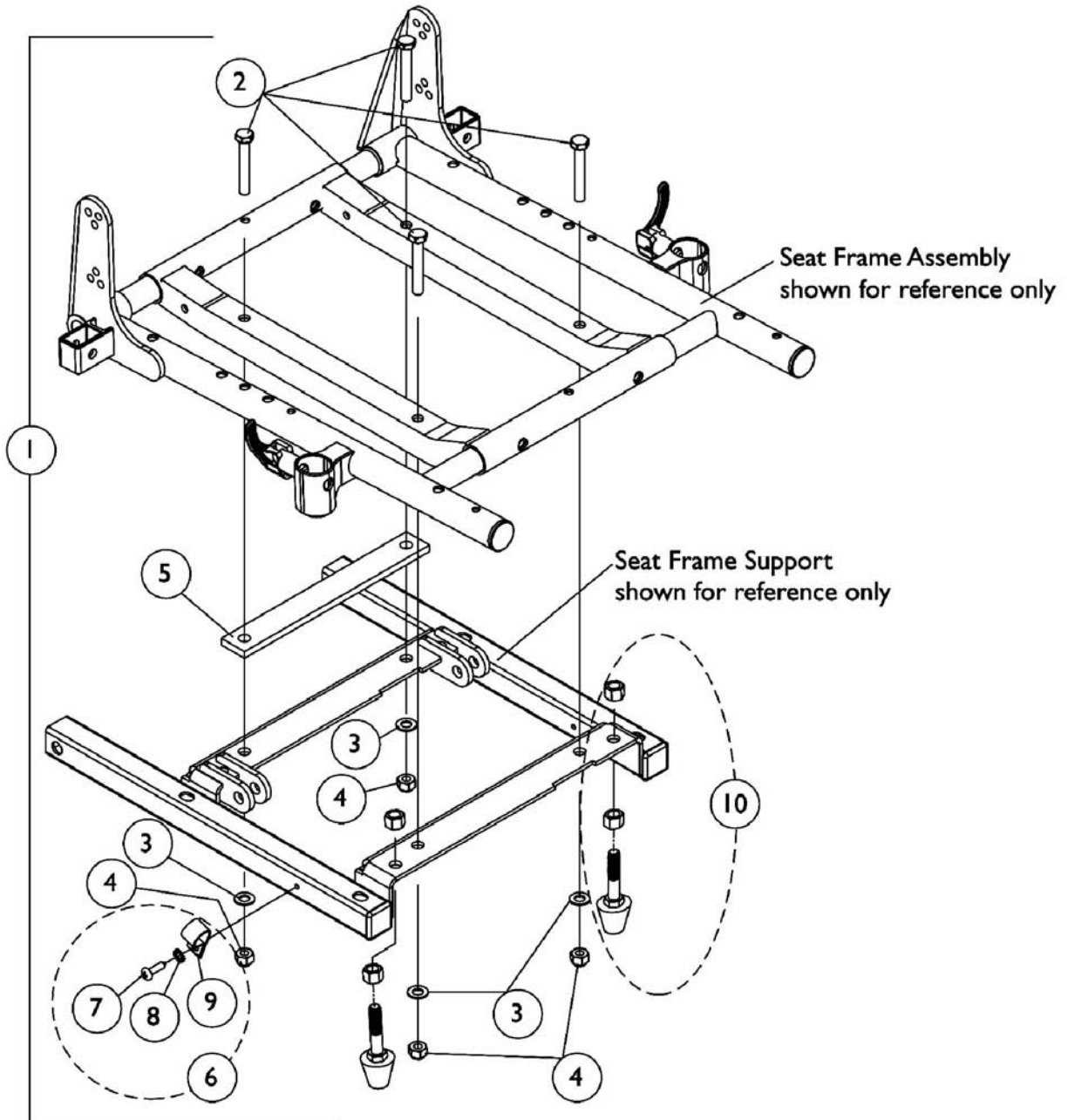
#'s 6-8 Seat Frames

14" - 15" Wide

Item Number	Description	14"-15" Deep	16"-17" Deep	18"-19" Deep	20"-21" Deep	22" Deep
6	Seat Frame, Rt. See Note(s) A	1070473	1070473	1070526	1070528	1070530
6	Seat Frame, Lt. See Note(s) A	1070474	1070474	1070527	1070529	1070531
7	Seat Frame Center	1070476	1070476	1070476	1070533	1070533
8	Seat Frame Assembly See Note(s) B	1070469	1070469	1070534	1070535	1070536
NOTE: A - Seat frame includes item 5 arm lock assembly. B - Includes items 1-7						

ASBA Seat Mounting Hardware

14"-15" Wide

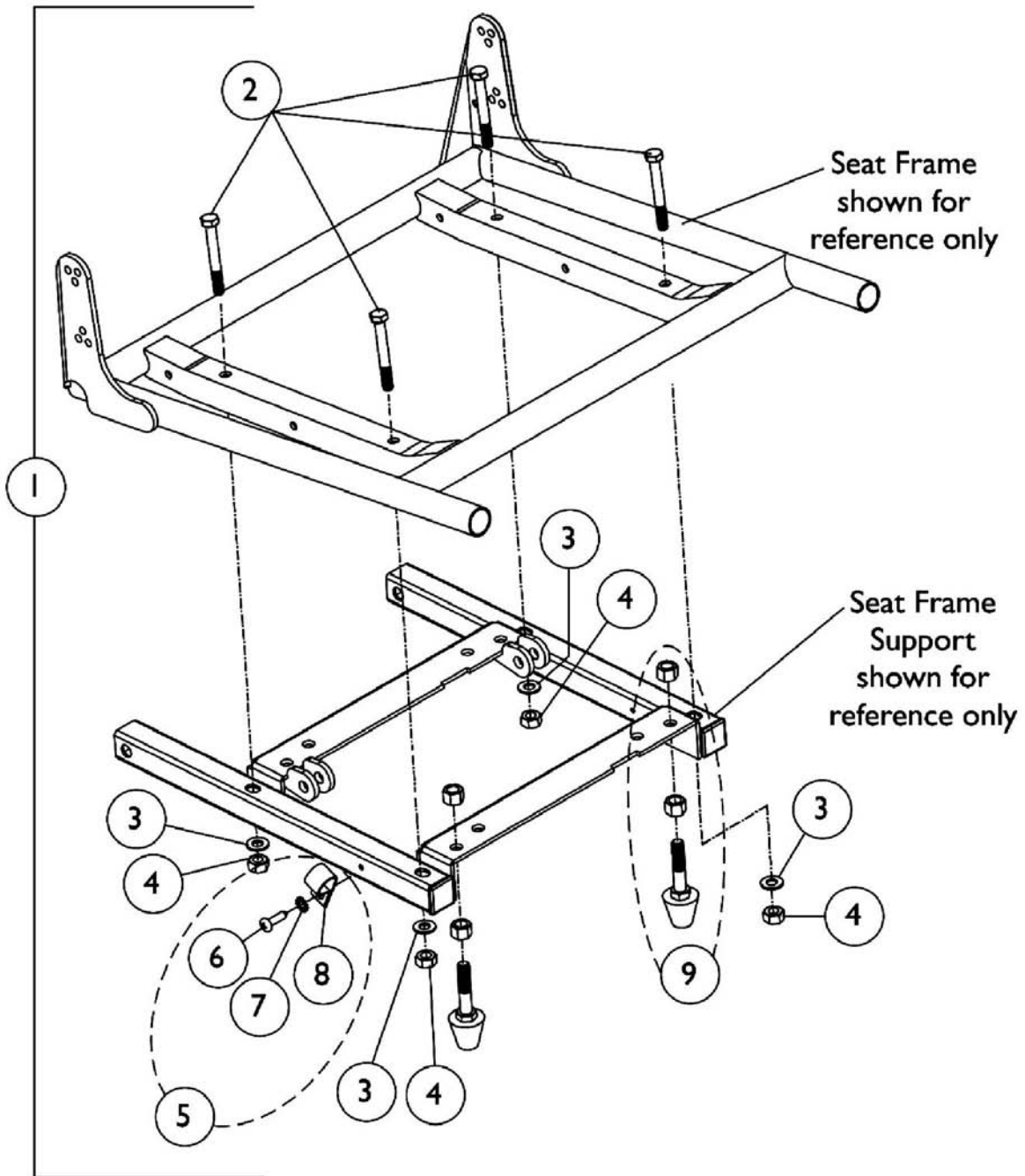


ASBA Seat Mounting Hardware 14"-15" Wide

Item Number	Note	Part Number	Description	Quantity Per	
				Package	Assembly
1	A,D	1121054	Kit, 0 Degree 12-15 Wide ASBA Seat Mounting Hardware	1	1
2			Screw, Hex Head w/ Patch (5/16-18 x 1-3/4")	1	4
3			Washer, Flat (5/16 x 5/8 x 1/16")	1	4
4			Locknut (5/16-18)	1	4
1	B,D	1107308	Kit, 0 Degree (12-15 Wide ASBA) & (12-16 Wide ADJASBA) Seat Mounting Hardware	1	1
2			Screw, Hex Head (5/16-18 x 2")	1	4
3			Washer, Flat (5/16 x 5/8 x 1/16")	1	4
4			Locknut (5/16-18)	1	4
5			Plate, Spacer	1	1
6	C	1106544	Kit, Switch Clip with Mounting Hardware	1	1
7			Bracket, Cable/Wire Mounting, Black	1	1
8			Screw, Phillips Pan Head Tap (#10-16 x 3/4")	1	1
9			Lockwasher, External Tooth (#10)	1	1
10		1111007	Bumper with Mounting Hardware (Pair)	2	1
<p>NOTE: A - Hardware Before 2/17/03 and includes items 2-4. A Spacer Plate was added after 2/16/03. When a new Seat Frame Support is needed, Seat Mounting Hardware dated after 2/16/03 must be ordered. B - Hardware After 2/16/03 and includes items 2-5 C - Includes items 7-9 D - PTO on Pronto R2 excluded 12"-13" wide seat widths</p>					

ASBA Seat Mounting Hardware

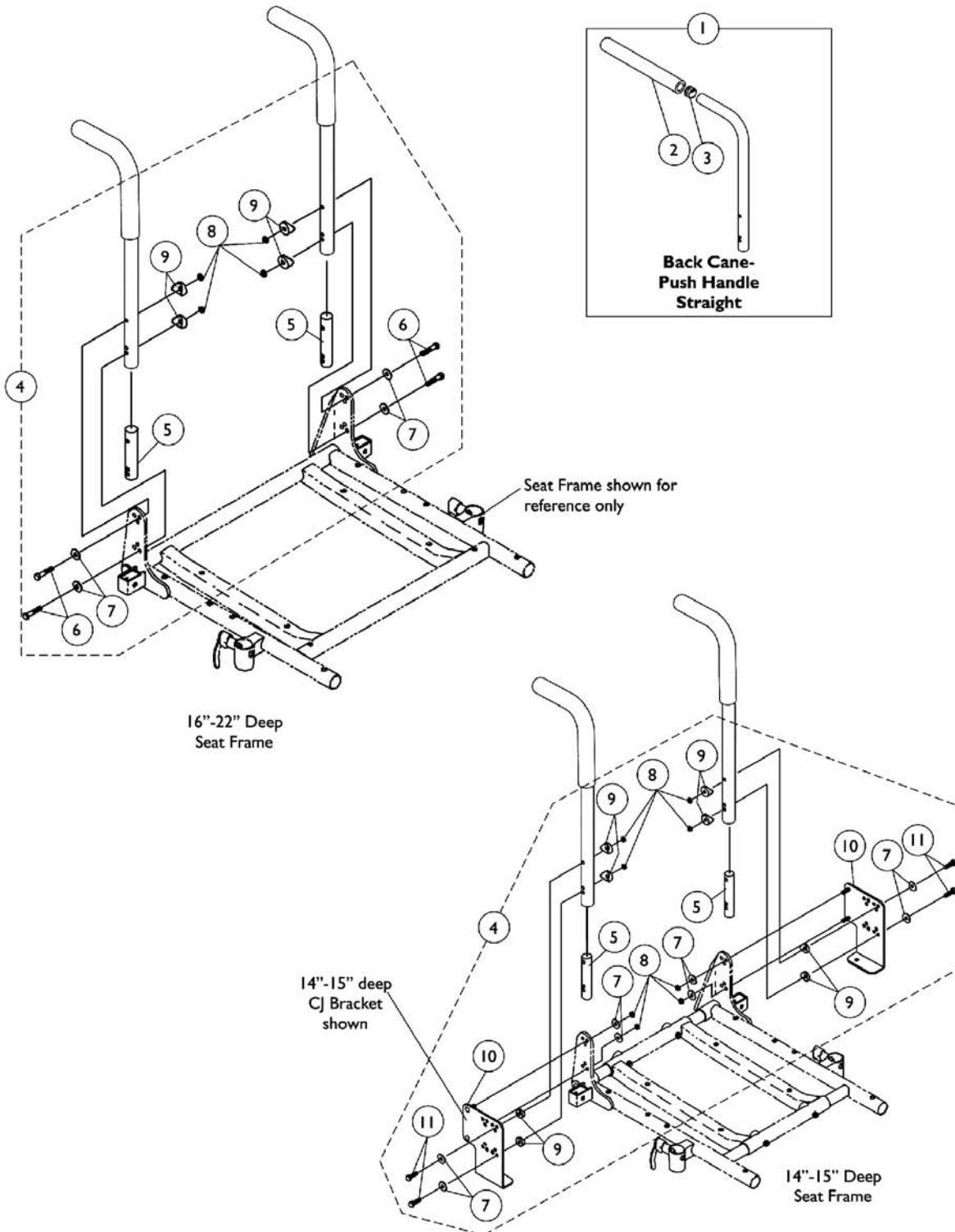
16"-22" Wide



ASBA Seat Mounting Hardware 16"-22" Wide

Item Number	Note	Part Number	Description	Quantity Per	
				Package	Assembly
1	A	1107307	Kit, 0 Degree 16-22" Wide ASBA Seat Mounting Hardware	1	1
2			Screw, Hex Head (5/16-18 x 2-3/4")	1	4
3			Washer, Flat (5/16 x 5/8 x 1/16")	1	4
4			Locknut (5/16-18)	1	4
5	B	1106544	Kit, Switch Clip with Mounting Hardware	2	1
6			Bracket, Cable/Wire Mounting, Black	1	1
7			Screw, Phillips Pan Head Tap (#10-16 x 3/4")	1	1
8			Lockwasher, External Tooth (#10)	1	1
9		1111007	Bumper with Mounting Hardware (Pair)	2	1
NOTE: A - Includes items 2-4 B - Includes items 6-8					

Back Cane w/ Attaching Hardware



Back Cane w/ Attaching Hardware

Item Number	Note	Part Number	Description	Quantity Per	
				Package	Assembly
1		See Chart	#1 Back Cane and Mounting Hardware	1	2
2		1135506	Package, Foam Hand Grip (9" L)	10	1
3		1130582	Package, Plug Button, Black (7/8")	10	1
4	A	1070500	Kit, Back Cane Attaching Hardware, For CJ Bracket 14-15" Deep Seat	2	1
5			Insert, Non-Threaded Back Cane (For Back Heights 20" and Lower)	1	2
7			Washer (1/4 x 23/32 x 1/16")	1	8
8			Locknut (1/4-20)	1	8
9			Spacer, Coved (1/4 x 11/16 x 1/2")	1	8
10			Bracket, Back Mounting, Black - Right	1	1
10			Bracket, Back Mounting, Black - Left	1	1
11			Screw, Hex Head (1/4-20 x 1-5/8")	1	4
4	B,C,E	1106554	Kit, Back Cane Attaching Hardware	2	1
5			Insert, Non-Threaded Back Cane (For Back Heights 20" and Lower)	1	2
6			Screw, Hex Head (1/4-20 x 1-5/8")	1	4
7			Washer (1/4 x 23/32 x 1/16")	1	4
8			Locknut (1/4-20)	1	4
9			Spacer, Coved (1/4 x 11/16 x 1/2")	1	4
4	B,D	1106555	Kit, Back Cane Attaching Hardware	2	1
5			Insert, Non-Threaded Back Cane (For Back Heights 21" and Higher)	1	2
6			Screw, Hex Head (1/4-20 x 1-5/8")	1	4
7			Washer (1/4 x 23/32 x 1/16")	1	4
8			Locknut (1/4-20)	1	4
9			Spacer, Coved (1/4 x 11/16 x 1/2")	1	4
<p>NOTE: A - Includes items 5-11 B - Includes items 5-9 C - Used for 12"-20" high back canes D - Used for 21"-24" high back canes E - Prior to 7/9/04 new back cane attaching hardware must be ordered for 14-15" deep seats that use CJ brackets. The threaded insert was replaced with a non-threaded insert for 12-20" high back canes</p>					

Back Cane w/ Attaching Hardware

#1 Back Cane Assemblies

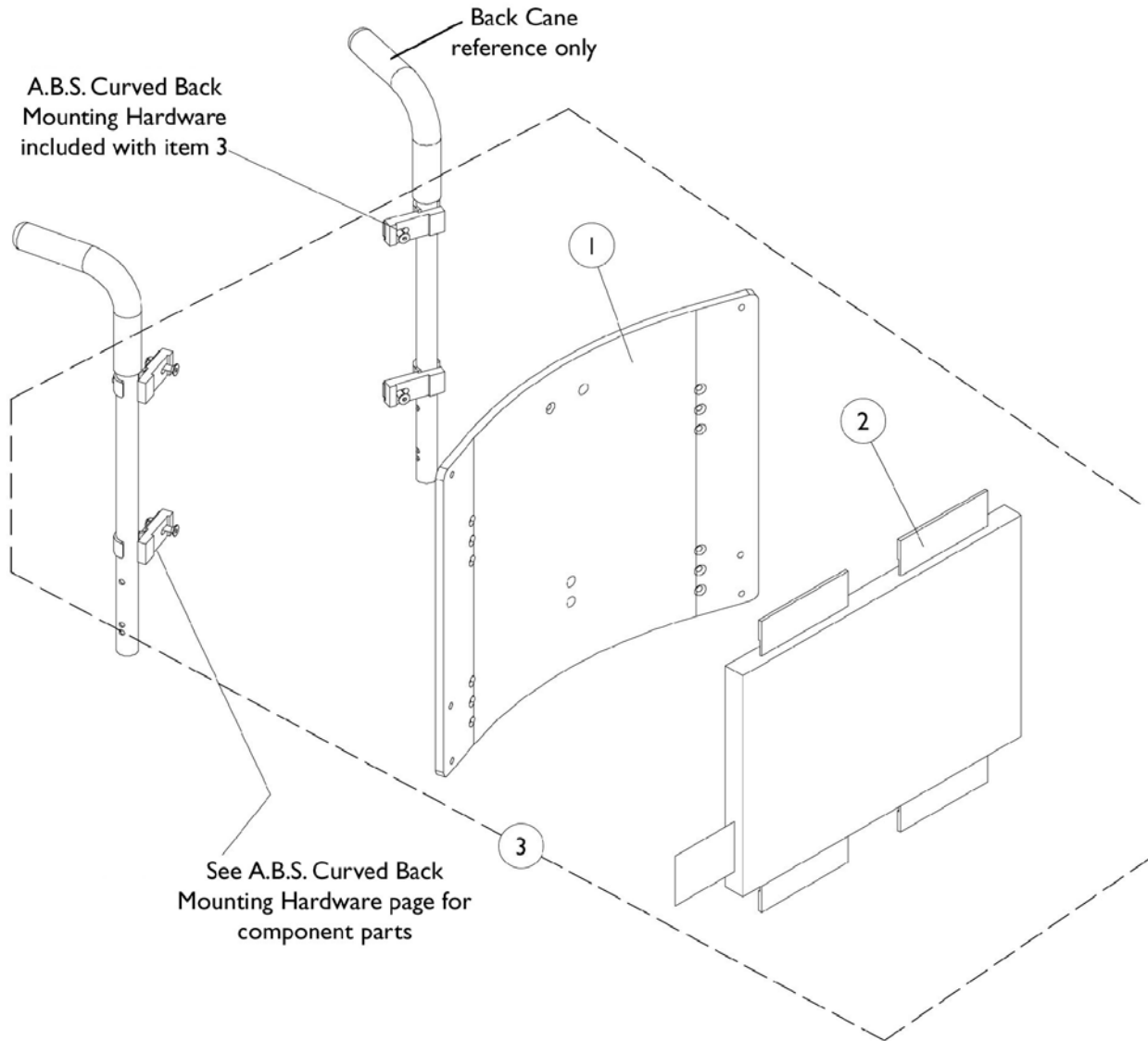
Back Height	Part Number
12"	1045253
13"	1045254
14"	1045255
15"	1045256
16"	1048558
17"	1048559
18"	1048560
19"	1048561
20"-24"	1048562

NOTE: Back Cane Assemblies include Foam Grips and Plug Buttons where shown

ABS Curved Back Assembly

NOTE: ABS curved back mounts to back canes without a 10 degree bend.

NOTE: As of 8/15/08 the Curved Back material changed from ABS Plastic to Metal as inventory runs out. You must ask the customer if they have an ABS Plastic or the Metal Curved Back model when replacing components. All service replacement Back Assemblies with Hardware shipped will be metal. New Headrest Mounting Hardware is required when replacing an ABS Curved Back with a Metal Curved Back.



ABS Curved Back Assembly

NOTE: ABS curved back mounts to back canes without a 10 degree bend.

NOTE: As of 8/15/08 the Curved Back material changed from ABS Plastic to Metal as inventory runs out. You must ask the customer if they have an ABS Plastic or the Metal Curved Back model when replacing components. All service replacement Back Assemblies with Hardware shipped will be metal. New Headrest Mounting Hardware is required when replacing an ABS Curved Back with a Metal Curved Back.

Item Number	Note	Part Number	Description	Quantity Per	
				Package	Assembly
1		See Chart	#1 Back Pan 16"-18"	1	1
1		See Chart	#1 Back Pan 19"-22"	1	1
2		See Chart	#2 Back Cushion Assembly 16"-18"	1	1
2		See Chart	#2 Back Cushion Assembly 19"-22"	1	1
3		See Chart	#3 Back Assembly with Hardware 16"-18"	1	1
3		See Chart	#3 Back Assembly with Hardware 19"-22"	1	1
	A	1125723	Kit, Hook Fastener w/ Adhesive Back	1	1

NOTE: A - Not Shown. Hook Fastener Adhesive Kit is used to attach the Back Cover to the Back Pan and must be ordered when a new Back Pan or Back Assembly is requested.

#1 Back Pan - 16"-18" Wide

Overall Back Height	Material Back Height	16" Wide	17" Wide	18" Wide
16"	12"	1086021-NLA See Note(s) A	1086022-NLA See Note(s) A	1086023-NLA See Note(s) A
17"	13"	1086028-NLA See Note(s) A	1086029-NLA See Note(s) A	1086030-NLA See Note(s) A
18"	14"	1086035-NLA See Note(s) A	1086036-NLA See Note(s) A	1086037-NLA See Note(s) A
19"	15"	1086042-NLA See Note(s) A	1086043-NLA See Note(s) A	1086044-NLA See Note(s) A
20"	16"	1086049-NLA See Note(s) A	1086050-NLA See Note(s) A	1086051-NLA See Note(s) A
21"	17"	1086056-NLA See Note(s) A	1086057-NLA See Note(s) A	1086058-NLA See Note(s) A
22"	18"	1086063-NLA See Note(s) A	1086064-NLA See Note(s) A	1086065-NLA See Note(s) A
23"	19"	1086070-NLA See Note(s) A	1086071-NLA See Note(s) A	1086072-NLA See Note(s) A
24"	20"	1086077-NLA See Note(s) A	1086078-NLA See Note(s) A	1086079-NLA See Note(s) A

NOTE: A - Part Number is No Longer Available. See Category page titled "Backs - Metal Curved Assembly" and use the item "Back Assembly w/ Hardware" to find replacement part numbers. Match the wheelchair width by the material back height when ordering.

NOTE: Hook Fastener Adhesive Kit must be ordered when a Back Pan or Back Assembly is requested. This will allow the Loop Fastener Adhesive on the Back Cover to attach properly.

ABS Curved Back Assembly

NOTE: ABS curved back mounts to back canes without a 10 degree bend.

NOTE: As of 8/15/08 the Curved Back material changed from ABS Plastic to Metal as inventory runs out. You must ask the customer if they have an ABS Plastic or the Metal Curved Back model when replacing components. All service replacement Back Assemblies with Hardware shipped will be metal. New Headrest Mounting Hardware is required when replacing an ABS Curved Back with a Metal Curved Back.

#1 Back Pan - 19" Wide to 22" Wide

Overall Back Height	Material Back Height	19" Wide	20" Wide	21" Wide	22" Wide
16"	12"	1086024-NLA <small>See Note(s) A</small>	1086025-NLA <small>See Note(s) A</small>	1086026-NLA <small>See Note(s) A</small>	1086027-NLA <small>See Note(s) A</small>
17"	13"	1086031-NLA <small>See Note(s) A</small>	1086032-NLA <small>See Note(s) A</small>	1086033-NLA <small>See Note(s) A</small>	1086034-NLA <small>See Note(s) A</small>
18"	14"	1086038-NLA <small>See Note(s) A</small>	1086039-NLA <small>See Note(s) A</small>	1086040-NLA <small>See Note(s) A</small>	1086041-NLA <small>See Note(s) A</small>
19"	15"	1086045-NLA <small>See Note(s) A</small>	1086046-NLA <small>See Note(s) A</small>	1086047-NLA <small>See Note(s) A</small>	1086048-NLA <small>See Note(s) A</small>
20"	16"	1086052-NLA <small>See Note(s) A</small>	1086053-NLA <small>See Note(s) A</small>	1086054-NLA <small>See Note(s) A</small>	1086055-NLA <small>See Note(s) A</small>
21"	17"	1086059-NLA <small>See Note(s) A</small>	1086060-NLA <small>See Note(s) A</small>	1086061-NLA <small>See Note(s) A</small>	1086062-NLA <small>See Note(s) A</small>
22"	18"	1086066-NLA <small>See Note(s) A</small>	1086067-NLA <small>See Note(s) A</small>	1086068-NLA <small>See Note(s) A</small>	1086069-NLA <small>See Note(s) A</small>
23"	19"	1086073-NLA <small>See Note(s) A</small>	1086074-NLA <small>See Note(s) A</small>	1086075-NLA <small>See Note(s) A</small>	1086076-NLA <small>See Note(s) A</small>
24"	20"	1086080-NLA <small>See Note(s) A</small>	1086081-NLA <small>See Note(s) A</small>	1086082-NLA <small>See Note(s) A</small>	1086083-NLA <small>See Note(s) A</small>

NOTE: A - Part Number is No Longer Available. See Category page titled "Backs - Metal Curved Assembly" and use the item "Back Assembly w/ Hardware" to find replacement part numbers. Match the wheelchair width by the material back height when ordering.

NOTE: Hook Fastener Adhesive Kit must be ordered when a Back Pan or Back Assembly is requested. This will allow the Loop Fastener Adhesive on the Back Cover to attach properly.

ABS Curved Back Assembly

NOTE: ABS curved back mounts to back canes without a 10 degree bend.

NOTE: As of 8/15/08 the Curved Back material changed from ABS Plastic to Metal as inventory runs out. You must ask the customer if they have an ABS Plastic or the Metal Curved Back model when replacing components. All service replacement Back Assemblies with Hardware shipped will be metal. New Headrest Mounting Hardware is required when replacing an ABS Curved Back with a Metal Curved Back.

#2 Back Cushion Assembly - 16" Wide to 18" Wide

Overall Back Height	Material Back Height	16" Wide	17" Wide	18" Wide
16"	12"	1097375	1097376	1097377
17"	13"	1097382	1097383	1097384
18"	14"	1097389	1097390	1097391
19"	15"	1097396	1097397	1097398
20"	16"	1097403	1097404	1097405
21"	17"	1097410	1097411	1097412
22"	18"	1097417	1097418	1097419
23"	19"	1097424	1097425	1097426
24"	20"	1097431	1097432	1097433

NOTE: Back cover and foam are sold as a back cushion assembly only.

#2 Back Cushion Assembly - 19" Wide to 22" Wide

Overall Back Height	Material Back Height	19" Wide	20" Wide	21" Wide	22" Wide
16"	12"	1097378	1097379	1097380	1097381
17"	13"	1097385	1097386	1097387	1097388
18"	14"	1097392	1097393	1097394	1097395
19"	15"	1097399	1097400	1097401	1097402
20"	16"	1097406	1097407	1097408	1097409
21"	17"	1097413	1097414	1097415	1097416
22"	18"	1097420	1097421	1097422	1097423
23"	19"	1097427	1097428	1097429	1097430
24"	20"	1097434	1097435	1097436	1097437

NOTE: Back cover and foam are sold as a back cushion assembly only.

ABS Curved Back Assembly

NOTE: ABS curved back mounts to back canes without a 10 degree bend.

NOTE: As of 8/15/08 the Curved Back material changed from ABS Plastic to Metal as inventory runs out. You must ask the customer if they have an ABS Plastic or the Metal Curved Back model when replacing components. All service replacement Back Assemblies with Hardware shipped will be metal. New Headrest Mounting Hardware is required when replacing an ABS Curved Back with a Metal Curved Back.

#3 Back Assembly with Hardware - 16" Wide to 18" Wide

Overall Back Height	Material Back Height ABS Plastic Curved	Material Back Height Metal Curved	16" Wide	17" Wide	18" Wide
16"	12"	11"	1106973	1106983	1106993
17"	13"	12"	1106974	1106984	1106994
18"	14"	13"	1106975	1106985	1106995
19"	15"	14"	1106976	1106986	1106996
20"	16"	15"	1106977	1106987	1106997
21"	17"	16"	1106978	1106988	1106998
22"	18"	17"	1106979	1106989	1106999
23"	19"	18"	1106980	1106990	1107000
24"	20"	19"	1106981	1106991	1107001

NOTE: Hook Fastener Adhesive Kit must be ordered when a Back Pan or Back Assembly is requested. This will allow the Loop Fastener Adhesive on the Back Cover to attach properly.

#3 Back Assembly with Hardware - 19" Wide to 22" Wide

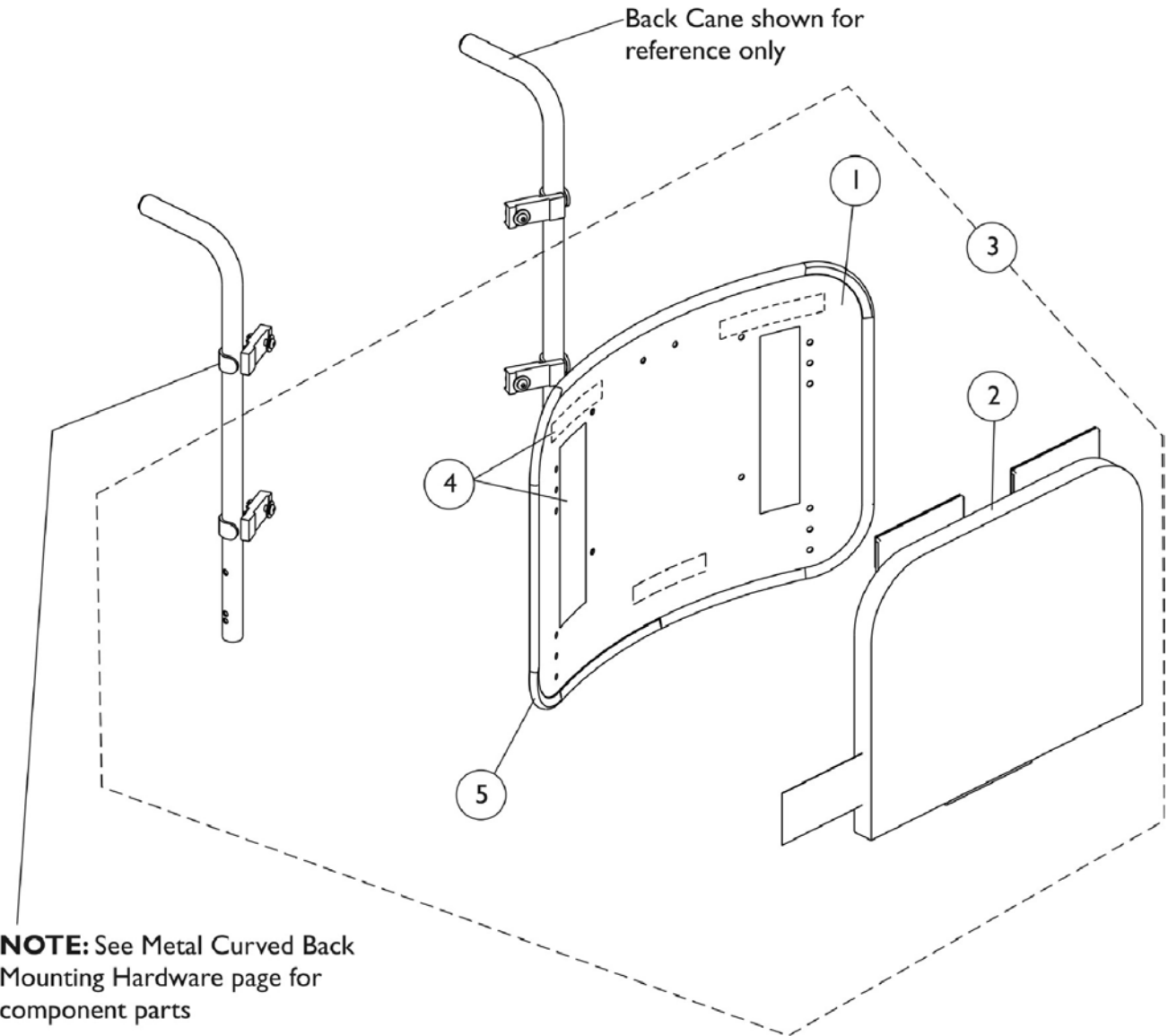
Overall Back Height	Material Back Height ABS Plastic Curved	Material Back Height Metal Curved	19" Wide	20" Wide	21" Wide	22" Wide
16"	12"	11"	1107003	1107013	1107023	1107033
17"	13"	12"	1107004	1107014	1107024	1107034
18"	14"	13"	1107005	1107015	1107025	1107035
19"	15"	14"	1107006	1107016	1107026	1107036
20"	16"	15"	1107007	1107017	1107027	1107042
21"	17"	16"	1107008	1107018	1107028	1107043
22"	18"	17"	1107009	1107019	1107029	1107044
23"	19"	18"	1107010	1107020	1107030	1107045
24"	20"	19"	1107011	1107021	1107031	1107046

NOTE: Hook Fastener Adhesive Kit must be ordered when a Back Pan or Back Assembly is requested. This will allow the Loop Fastener Adhesive on the Back Cover to attach properly.

Metal Curved Back Assembly

NOTE: Curved Back mounts only to back canes without a 10 degree bend.

NOTE: As of 8/15/08 the Curved Back material changed from ABS Plastic to Metal as inventory runs out. You must ask the customer if they have an ABS Plastic or the Metal Curved Back model when replacing components. All service replacement Back Assemblies with Hardware shipped will be metal. New Headrest Mounting Hardware is required when replacing an ABS Curved Back with a Metal Curved Back.



Metal Curved Back Assembly

NOTE: Curved Back mounts only to back canes without a 10 degree bend.

NOTE: As of 8/15/08 the Curved Back material changed from ABS Plastic to Metal as inventory runs out. You must ask the customer if they have an ABS Plastic or the Metal Curved Back model when replacing components. All service replacement Back Assemblies with Hardware shipped will be metal. New Headrest Mounting Hardware is required when replacing an ABS Curved Back with a Metal Curved Back.

Item Number	Note	Part Number	Description	Quantity Per	
				Package	Assembly
1		See Chart	#1 Back Pan w/ Vinyl Edge Trim 16"-18" Wide	1	1
1		See Chart	#1 Back Pan w/ Vinyl Edge Trim 19"-22" Wide	1	1
2		See Chart	#2 Back Cushion Assembly 16"-18" Wide	1	1
2		See Chart	#2 Back Cushion Assembly 19"-22" Wide	1	1
3		See Chart	#3 Back Assembly with Hardware 16"-18" Wide	1	1
3		See Chart	#3 Back Assembly with Hardware 19"-22" Wide	1	1
4	A	1125723	Kit, Hook Fastener w/ Adhesive Back	1	1
5		1125724	Trim, Edge, Cut-To-Length, Vinyl Black (96" L)	1	1

NOTE: A - Hook Fastener Adhesive Kit is used to attach the Back Cover to the Back Pan and must be ordered when a new Back Pan or Back Assembly is requested.

#1 Back Pan w/ Vinyl Edge Trim - 16"-18" Wide

Overall Back Height	Material Back Height	16" Wide	17" Wide	18" Wide
16"	11"	1157826	1157837	1157848
17"	12"	1157827	1157838	1157849
18"	13"	1157828	1157839	1157850
19"	14"	1157829	1157840	1157851
20"	15"	1157830	1157841	1157852
21"	16"	1157831	1157842	1157853
22"	17"	1157832	1157843	1157854
23"	18"	1157833	1157844	1157855
24"	19"	1157834	1157845	1157856

NOTE: Hook Fastener Adhesive Kit must be ordered when a Back Pan or Back Assembly is requested. This will allow the Loop Fastener Adhesive on the Back Cover to attach properly.

Metal Curved Back Assembly

NOTE: Curved Back mounts only to back canes without a 10 degree bend.

NOTE: As of 8/15/08 the Curved Back material changed from ABS Plastic to Metal as inventory runs out. You must ask the customer if they have an ABS Plastic or the Metal Curved Back model when replacing components. All service replacement Back Assemblies with Hardware shipped will be metal. New Headrest Mounting Hardware is required when replacing an ABS Curved Back with a Metal Curved Back.

#1 Back Pan w/ Vinyl Edge Trim - 19"-22" Wide

Overall Back Height	Material Back Height	19" Wide	20" Wide	21" Wide	22" Wide
16"	11"	1157859	1157870	1157881	1157892
17"	12"	1157860	1157871	1157882	1157893
18"	13"	1157861	1157872	1157883	1157894
19"	14"	1157862	1157873	1157884	1157895
20"	15"	1157863	1157874	1157885	1157896
21"	16"	1157864	1157875	1157886	1157897
22"	17"	1157865	1157876	1157887	1157898
23"	18"	1157866	1157877	1157888	1157899
24"	19"	1157867	1157878	1157889	1157900

NOTE: Hook Fastener Adhesive Kit must be ordered when a Back Pan or Back Assembly is requested. This will allow the Loop Fastener Adhesive on the Back Cover to attach properly.

#2 Back Cushion Assembly - 16"-18" Wide

Overall Back Height	Material Back Height	16" Wide	17" Wide	18" Wide
16"	12-1/2"	1160207	1160218	1160229
17"	13-1/2"	1160208	1160219	1160230
18"	14-1/2"	1160209	1160220	1160231
19"	15-1/2"	1160210	1160221	1160232
20"	16-1/2"	1160211	1160222	1160233
21"	17-1/2"	1160212	1160223	1160234
22"	18-1/2"	1160213	1160224	1160235
23"	19-1/2"	1160214	1160225	1160236
24"	20-1/2"	1160215	1160226	1160237

NOTE: Back cover and foam are sold as a Back Cushion Assembly only.

Metal Curved Back Assembly

NOTE: Curved Back mounts only to back canes without a 10 degree bend.

NOTE: As of 8/15/08 the Curved Back material changed from ABS Plastic to Metal as inventory runs out. You must ask the customer if they have an ABS Plastic or the Metal Curved Back model when replacing components. All service replacement Back Assemblies with Hardware shipped will be metal. New Headrest Mounting Hardware is required when replacing an ABS Curved Back with a Metal Curved Back.

#2 Back Cushion Assembly - 19"-22" Wide

Overall Back Height	Material Back Height	19" Wide	20" Wide	21" Wide	22" Wide
16"	12-1/2"	1097378	1097379	1097380	1097381
17"	13-1/2"	1097385	1097386	1097387	1097388
18"	14-1/2"	1097392	1097393	1097394	1097395
19"	15-1/2"	1097399	1097400	1097401	1097402
20"	16-1/2"	1097406	1097407	1097408	1097409
21"	17-1/2"	1097413	1097414	1097415	1097416
22"	18-1/2"	1097420	1097421	1097422	1097423
23"	19-1/2"	1097427	1097428	1097429	1097430
24"	20-1/2"	1097434	1097435	1097436	1097437

NOTE: Back cover and foam are sold as a Back Cushion Assembly only.

Metal Curved Back Assembly

NOTE: Curved Back mounts only to back canes without a 10 degree bend.

NOTE: As of 8/15/08 the Curved Back material changed from ABS Plastic to Metal as inventory runs out. You must ask the customer if they have an ABS Plastic or the Metal Curved Back model when replacing components. All service replacement Back Assemblies with Hardware shipped will be metal. New Headrest Mounting Hardware is required when replacing an ABS Curved Back with a Metal Curved Back.

#3 Back Assembly with Hardware - 16" -18" Wide

Overall Back Height	Material Back Height ABS Plastic Curved	Material Back Height Metal Curved	16" Wide	17" Wide	18" Wide
16"	12"	11"	1106973	1106983	1106993
17"	13"	12"	1106974	1106984	1106994
18"	14"	13"	1106975	1106985	1106995
19"	15"	14"	1106976	1106986	1106996
20"	16"	15"	1106977	1106987	1106997
21"	17"	16"	1106978	1106988	1106998
22"	18"	17"	1106979	1106989	1106999
23"	19"	18"	1106980	1106990	1107000
24"	20"	19"	1106981	1106991	1107001

NOTE: Hook Fastener Adhesive Kit must be ordered when a Back Pan or Back Assembly is requested. This will allow the Loop Fastener Adhesive on the Back Cover to attach properly.

NOTE: When ordering Metal Curved Back assemblies to replace ABS Back Pans, match the wheelchair width by the material back height to determine the correct part number to order.

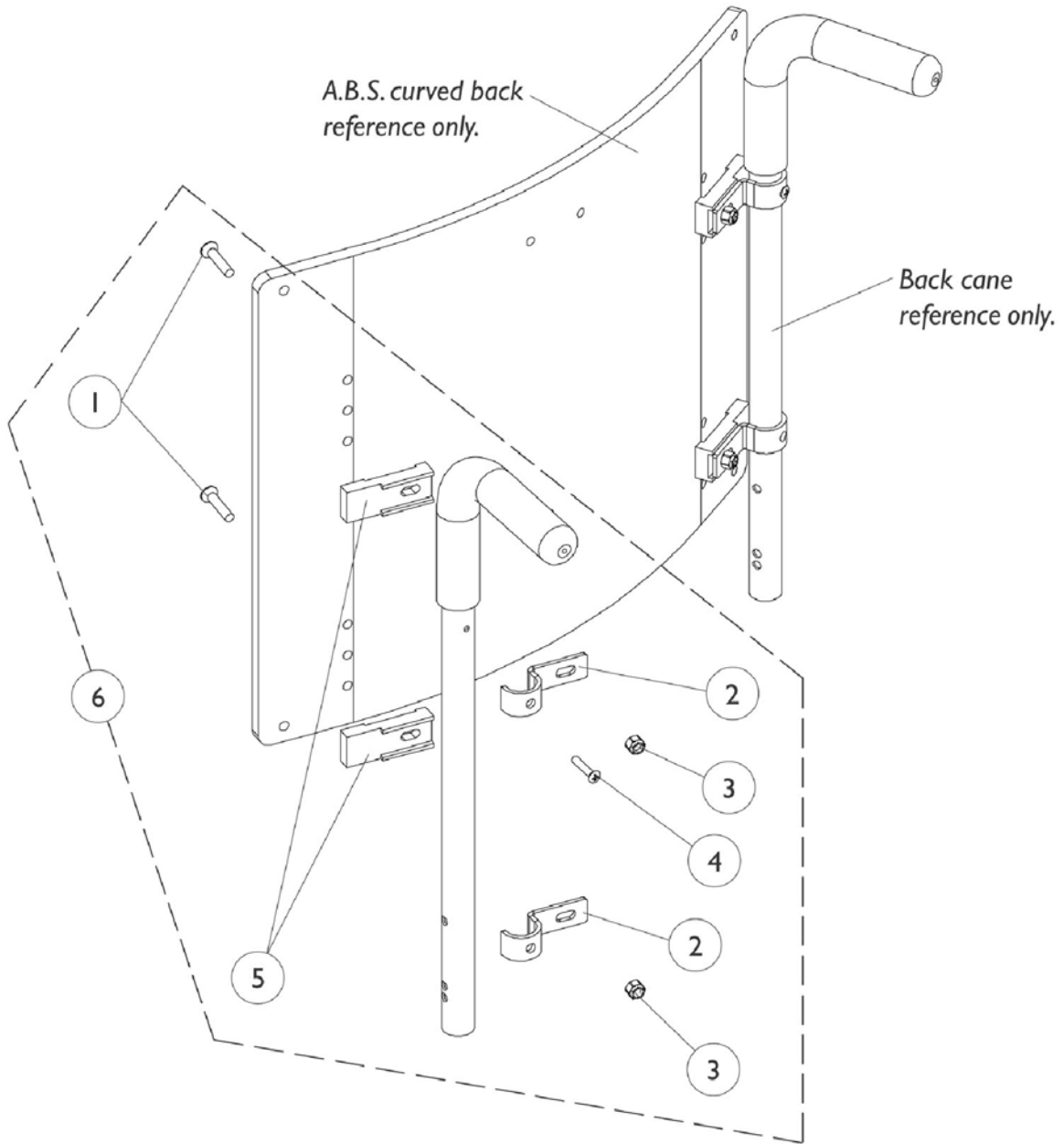
#3 Back Assembly with Hardware - 19"-22" Wide

Overall Back Height	Material Back Height ABS Plastic Curved	Material Back Height Metal Curved	19" Wide	20" Wide	21" Wide	22" Wide
16"	12"	11"	1107003	1107013	1107023	1107033
17"	13"	12"	1107004	1107014	1107024	1107034
18"	14"	13"	1107005	1107015	1107025	1107035
19"	15"	14"	1107006	1107016	1107026	1107036
20"	16"	15"	1107007	1107017	1107027	1107042
21"	17"	16"	1107008	1107018	1107028	1107043
22"	18"	17"	1107009	1107019	1107029	1107044
23"	19"	18"	1107010	1107020	1107030	1107045
24"	20"	19"	1107011	1107021	1107031	1107046

NOTE: Hook Fastener Adhesive Kit must be ordered when a Back Pan or Back Assembly is requested. This will allow the Loop Fastener Adhesive on the Back Cover to attach properly.

NOTE: When ordering Metal Curved Back assemblies to replace ABS Back Pans, match the wheelchair width by the material back height to determine the correct part number to order.

ABS Curved Back Mounting Hardware

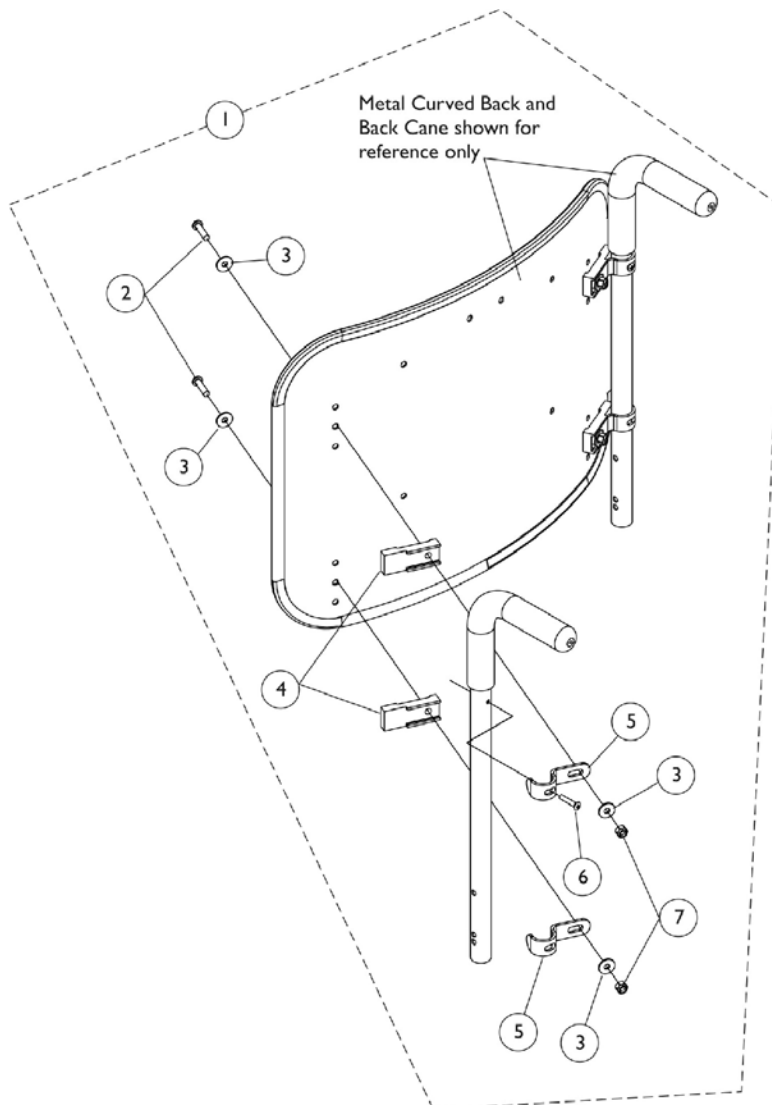


ABS Curved Back Mounting Hardware

Item Number	Note	Part Number	Description	Quantity Per	
				Package	Assembly
6	A	1106395	Kit, ABS Curved Back Mounting Hardware	1	1
1			Screw, Socket Flat Head (1/4-20 x 1-1/4")	1	4
2			Hook, Back Assembly Mounting	1	4
3			Locknut (1/4-20)	1	4
4			Screw, Phillips Oval Head (#10-16 x 7/8")	1	2
5			Spacer, Back Pan, Black	1	4

NOTE: A - Includes items 1-5

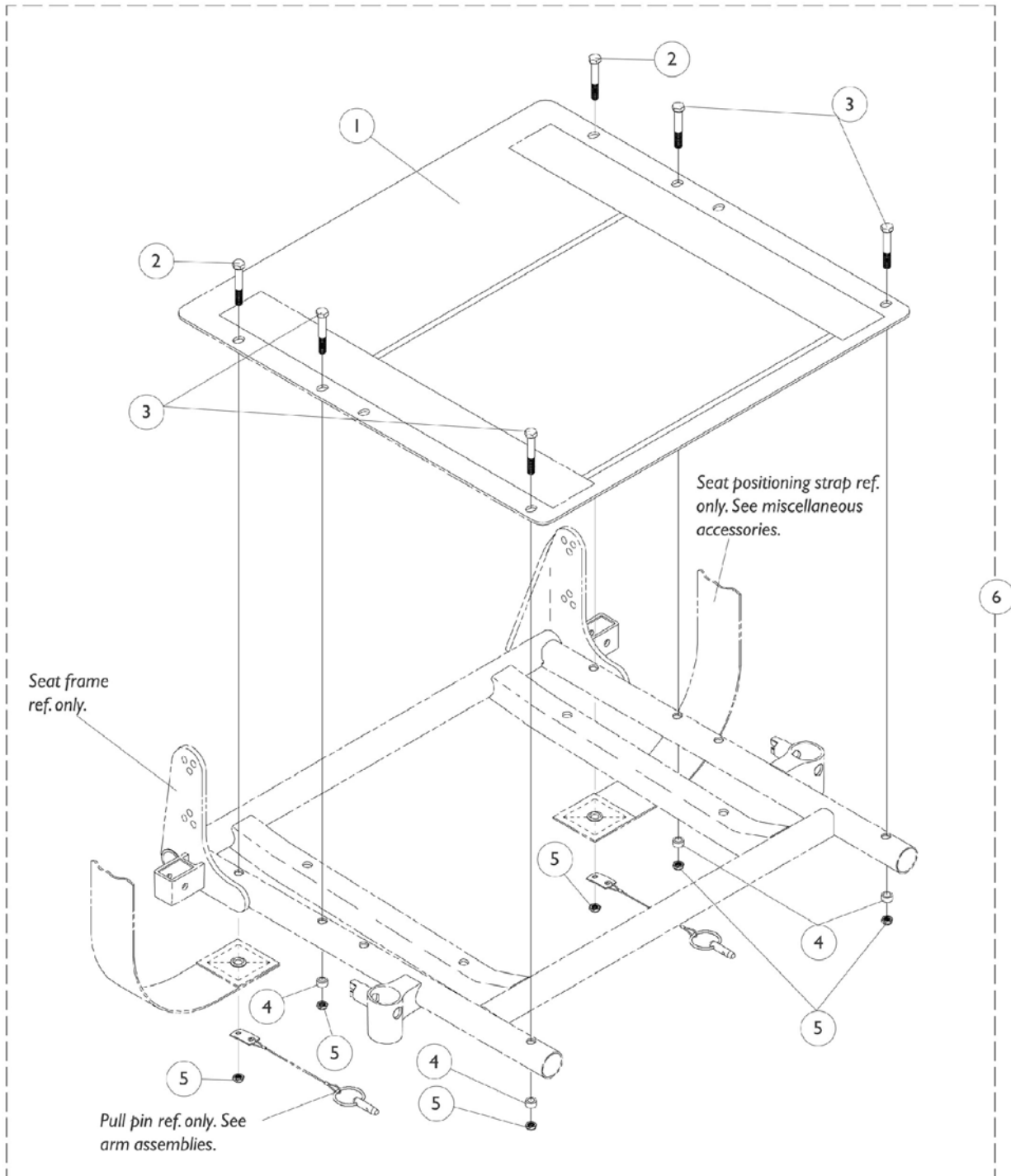
Metal Curved (16-22" Wide) Back Mounting Hardware



Item Number	Note	Part Number	Description	Quantity Per	
				Package	Assembly
1	A	1157925	Kit, Metal Curved and Curve Contoura Back Mounting Hardware	1	1
2			Spacer, Back Pan, Black	1	4
3			Hook, Back Assembly Mounting	1	4
4			Screw, Socket Button Head (1/4-20 x 1")	1	4
5			Washer (1/4 x 23/32 x 1/16")	1	8
6			Screw, Phillips Oval Head (#10-16 x 7/8")	1	2
7			Locknut (1/4-20)	1	4

NOTE: A - Includes items 2-7

Seat Pan w/ Mounting Hardware



Seat Pan w/ Mounting Hardware

Item Number	Note	Part Number	Description	Quantity Per	
				Package	Assembly
1	A	See Chart	# 1 Seat Pan - 14" D to 18" D	1	1
1		See Chart	# 1 Seat Pan - 19" D to 22" D	1	1
6		1070459	Kit, Seat Pan Mounting Hardware	1	1
2		Screw, Hex Head (1/4-20 x 1-5/8")	1	2	
3		Screw, Hex Head (1/4-20 x 1-1/2")	1	4	
4		Spacer (1/4 x 3/8 x 3/16")	1	4	
5	Locknut (1/4-20)	1	6		

NOTE: A - Includes items 2-5

1 Seat Pan - 14" Deep to 18" Deep

Seat Width	14"-15" Deep	16" Deep	17" Deep	18" Deep
14" W	1066022	1066011	1066022	1066033
15" W	1066023	1066012	1066023	1066034
16" W	1066024	1066013	1066024	1066035
17" W	N/A	1066014	1066025	1066036
18" W	N/A	1066015	1066026	1066037
19" W	N/A	1066016	1066027	1066038
20" W	N/A	1066017	1066028	1066039
21" W	N/A	1066018	1066029	1066040
22" W	N/A	1066019	1066030	1066041

NOTE: 12-15" seat depths are achieved by using CJ back cane mounting hardware.

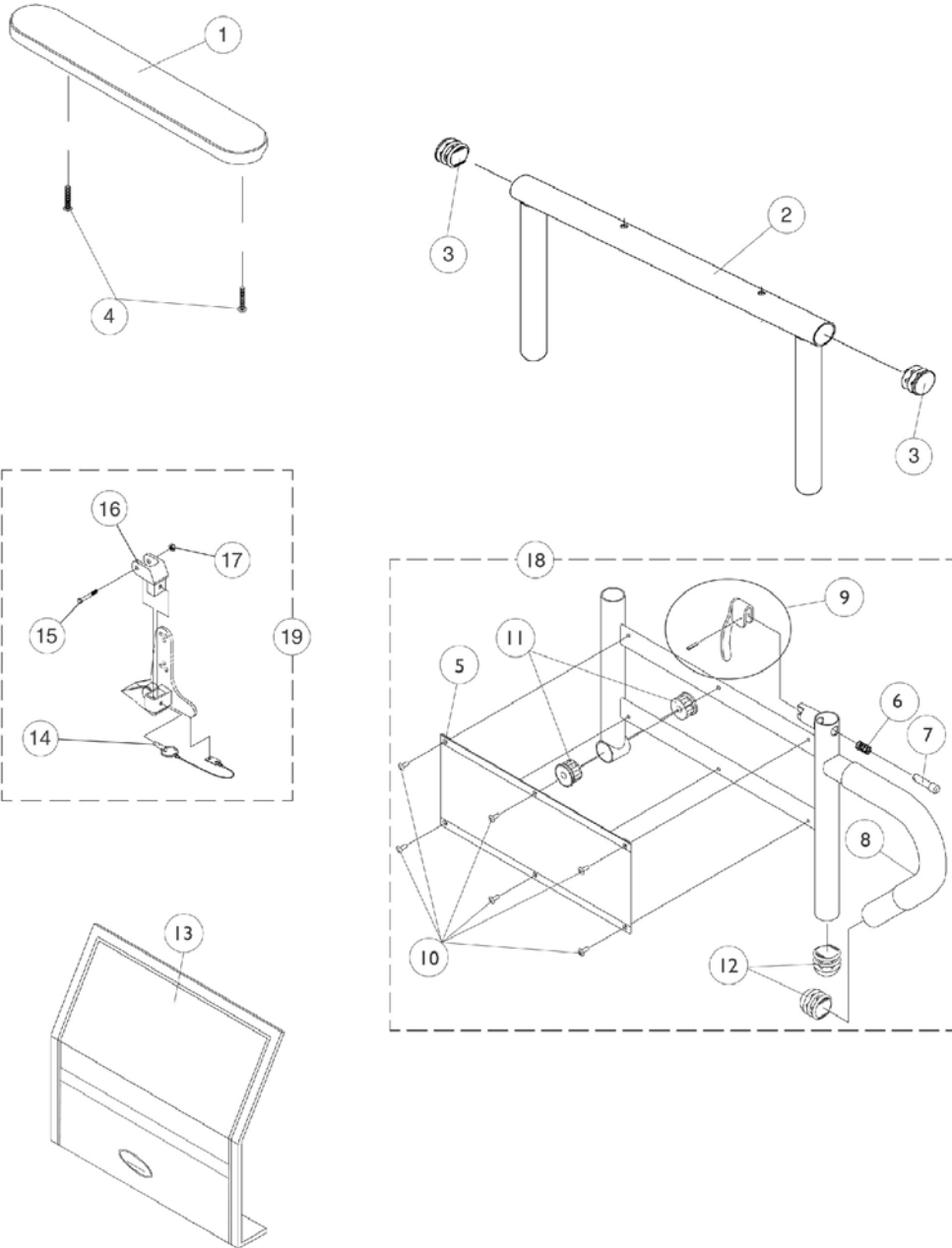
1 Seat Pan - 19" Deep to 22" Deep

Seat Width	19" Deep	20" Deep	21" Deep	22" Deep
14" W	1066044	1066055	1066066	1066077
15" W	1066045	1066056	1066067	1066078
16" W	1066046	1066057	1066068	1066079
17" W	1066047	1066058	1066069	1066080
18" W	1066048	1066059	1066070	1066081
19" W	1066049	1066060	1066071	1066082
20" W	1066050	1066061	1066072	1066083
21" W	1066051	1066062	1066073	1066084
22" W	1066052	1066063	1066074	1066085

NOTE: 12-15" seat depths are achieved by using CJ back cane mounting hardware.

Arms, Adjustable Height

16"-22" Deep Seat Frames

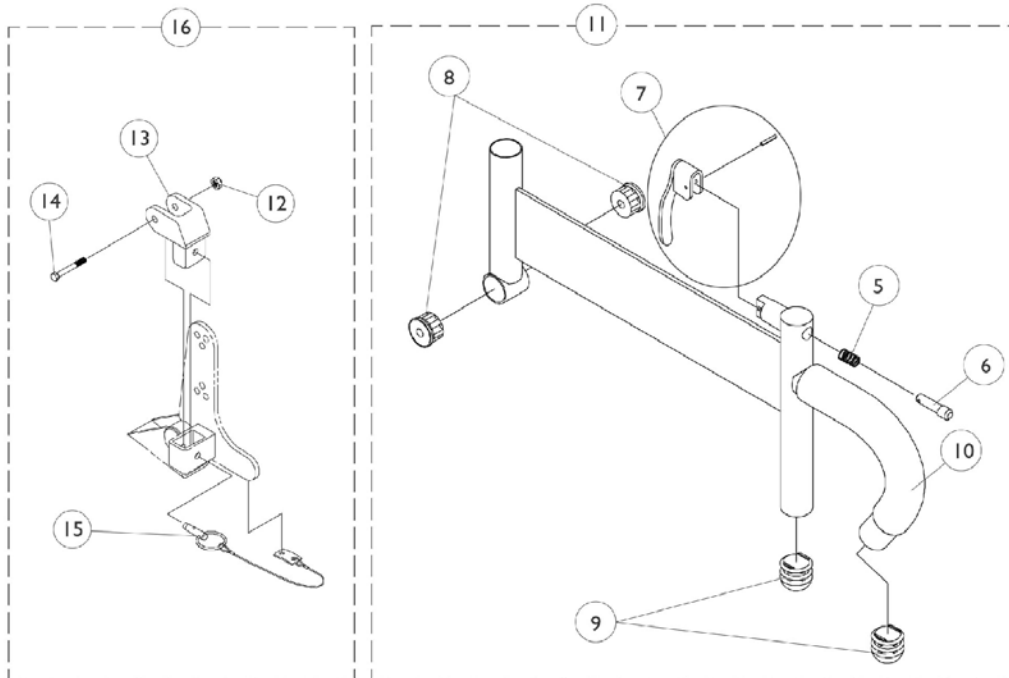
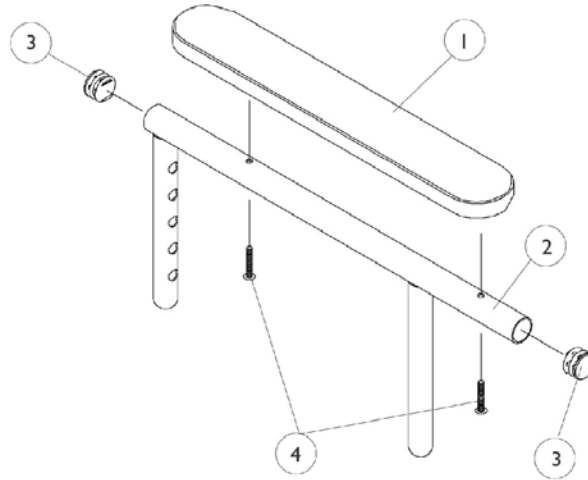


Arms, Adjustable Height 16"-22" Deep Seat Frames

Item Number	Note	Part Number	Description	Quantity Per	
				Package	Assembly
1	A	8881015932	Pad, Arm, Vinyl, Full Length - Right (14" L x 2" W)	1	1
1	A	8881015933	Pad, Arm, Vinyl, Full Length - Left (14" L x 2" W)	1	1
1	A	8881011811	Pad, Arm, Vinyl, Desk Length (9" L x 2" W)	1	1
2		1071253	Arm Tube Assembly w/ Plug Buttons, Full Length, Black - Right/Left	1	1
2		1070859	Arm Tube Assembly w/ Plug Buttons, Desk Length, Black - Right/Left	1	1
3		1027095	Plug Button, Black (7/8")	1	2
4		1055949	Package, Screw, Phillips Pan Head (#10-32 x 1-1/8") (Pair)	2	1
5		1064130	Guard, Clothing	1	1
6		47471X074	Spring, Arm Lock	1	1
7		1028594	Pin, Arm Lock, Black	1	1
8		1032244	Grip, Foam Hand (9" L)	1	1
9		1090768	Kit, Lock Handle w/Rivets (Pair)	2	1
10		1028645	Rivet	1	6
11		1065936	Plug, Pivot	1	2
12		1067734	Plug Button, Black (5/8")	1	2
13		1035065	Cover, Clothing Guard w/ Pocket, FXDESK & ADJFULL/ADJDESK	1	1
14		1068039	Pin, Pull	1	1
15		1019590	Screw, Socket Button Head (1/4-20 x 1-5/8")	1	1
16		1068025	Clevis, Pivot	1	1
17		7930323	Package, Locknut (1/4-20)	25	1
18	C	1068416	Arm Base Assembly, Black - Right (16-19" D)	1	1
18	C	1068417	Arm Base Assembly, Black - Left (16-19" D)	1	1
18	D	1068418	Arm Base Assembly, Black - Right (20" and Deeper)	1	1
18	D	1068419	Arm Base Assembly, Black - Left (20" and Deeper)	1	1
19	B	1068488	Kit, Swingaway Armrest Mounting Hardware	1	1

NOTE: A - Specify U67 black upholstery color when ordering.
B - Includes items 14-17
C - 16-19" Deep
D - 20-22" Deep

Arms, Adjustable Height 14"-15" Deep Seat Frames



Arms, Adjustable Height 14"-15" Deep Seat Frames

Item Number	Note	Part Number	Description	Quantity Per	
				Package	Assembly
1	A	8881015932	Pad, Arm, Vinyl, Full Length - Right (14" L x 2" W)	1	1
1	A	8881015933	Pad, Arm, Vinyl, Full Length - Left (14" L x 2" W)	1	1
1	A	8881053577	Kit, Arm Pad w/ Screws, Full Length (14" L x 2" W) (Pair)	2	1
1	A	8881011811	Pad, Arm, Vinyl, Desk Length (9" L x 2" W)	1	1
1	A	8881053578	Kit, Arm Pad w/ Screws, Desk Length (9" L x 2" W) (Pair)	2	1
2		1071263	Arm Tube Assembly w/ Plug Buttons, Full Length, Black - Right/Left	1	1
2		1071259	Arm Tube Assembly w/ Plug Buttons, Desk Length, Black - Right/Left	1	1
3		1027095	Plug Button, Black (7/8")	1	2
4		1055949	Package, Screw, Phillips Pan Head (#10-32 x 1-1/8") (Pair)	2	1
5		47471X074	Spring, Arm Lock	1	1
6		1028594	Pin, Arm Lock, Black	1	1
7		1090768	Kit, Lock Handle w/Rivets (Pair)	2	1
8		1065936	Plug, Pivot	1	2
9		1067734	Plug Button, Black (5/8")	1	2
10		1016298	Grip, Push Handle	1	1
11		1068585	Arm Base Assembly, Adjustable Height, Black - Right	1	1
11		1068586	Arm Base Assembly, Adjustable Height, Black - Left	1	1
12		7930323	Package, Locknut (1/4-20)	25	1
13		1068025	Clevis, Pivot	1	1
14		1019590	Screw, Socket Button Head (1/4-20 x 1-5/8")	1	1
15		1068039	Pin, Pull	1	1
16		1068488	Kit, Swingaway Armrest Mounting Hardware	1	1

NOTE: A - Specify U67 black upholstery color when ordering.

Front Riggings Reference Chart

Pin and Saddle Riggings

NOTE: Calf pads with attaching hardware not included on legrest.

NOTE: Pivot/Slide tube attaching hardware not included.

Support Assemblies - PW93, PAS4A/PAL4A and P904A

Side	PW93	PAS4A/PAL4A	P904A
Right	8881070776 See Note(s) A	1058482	8881058646
Left	8881070777 See Note(s) A	1058483	8881058647

NOTE: A - Specify 24P wet black frame color when ordering.

Pivot/ Slide Tube with Footplate - PW93

Chair Width	1650 Std. Alum. 9-1/2" Long	1650 Std. Alum. 2" Longer	1650 Std. Alum. 4" Longer	1350 X-Large 9-1/2" Long	1350 X-Large 2" Longer	1350 X-Large 4" Longer
14-15" RT.	1041542	N/A	N/A	1090271	N/A	N/A
14-15" LT.	1041543	N/A	N/A	1090272	N/A	N/A
16-22" RT.	1074149	1086494	1086495	1026395	1086515	1086516
16-22" LT.	1074150	1086497	1086498	1026396	1086517	1086518

Pivot/ Slide Tube with Footplate - PAS4A/PAL4A

Front Rigging Type	Chair Width	1650 Std. Alum.	1350 X-Large
PAS4A	14-15" RT.	1023905	1035454
PAS4A	14-15" LT.	1023906	1035455
PAL4A	16-22" RT.	1023907	1035456
PAL4A	16-22" LT.	1023908	1035457

Front Riggings Reference Chart

Pin and Saddle Riggings

NOTE: Calf pads with attaching hardware not included on legrest.

NOTE: Pivot/Slide tube attaching hardware not included.

Pivot/ Slide Tube with Footplate - P904A

For 1650 Footplates

Chair Width	1650 Std. Alum. 9-1/2" Long	1650 Std. Alum. 2" Longer	1650 Std. Alum. 4" Longer
14-15" RT.	1058612	N/A	N/A
14-15" LT.	1058613	N/A	N/A
16-22" RT.	1058604	1086529	1086530
16-22" LT.	1058605	1086531	1086532

Pivot/Slide Tube with Footplate - P904A

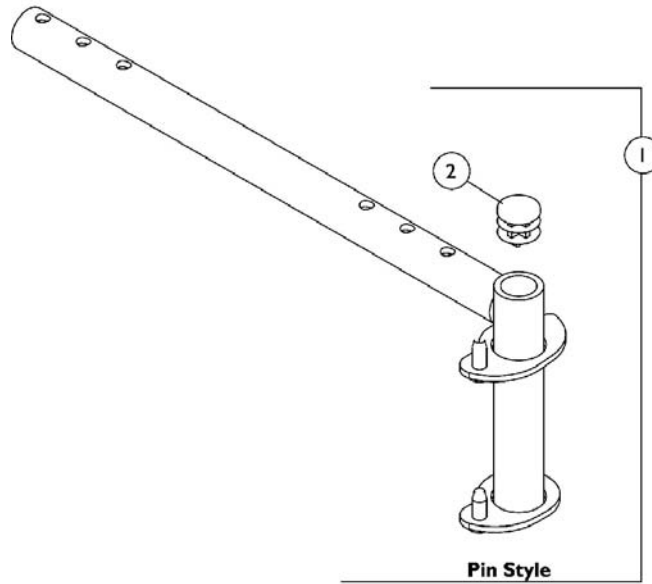
For 1450 and 1350 Footplates

Chair Width	1450 Delx. Alum. 9-1/2" Long	1350 X-Large 9-1/2" Long	1350 X-Large 2" Longer	1350 X-Large 4" Longer
14-15" RT.	N/A	1058828	N/A	N/A
14-15" LT.	N/A	1058829	N/A	N/A
16-22" RT.	1028723	1058830	1086541	1086542
16-22" LT.	1028724	1058831	1086551	1086552

Front Rigging Hanger Assembly

Pin Style

NOTE: Front rigging hangers and seat pans share the same mounting hardware, see Seat Pan and Mounting Hardware page.

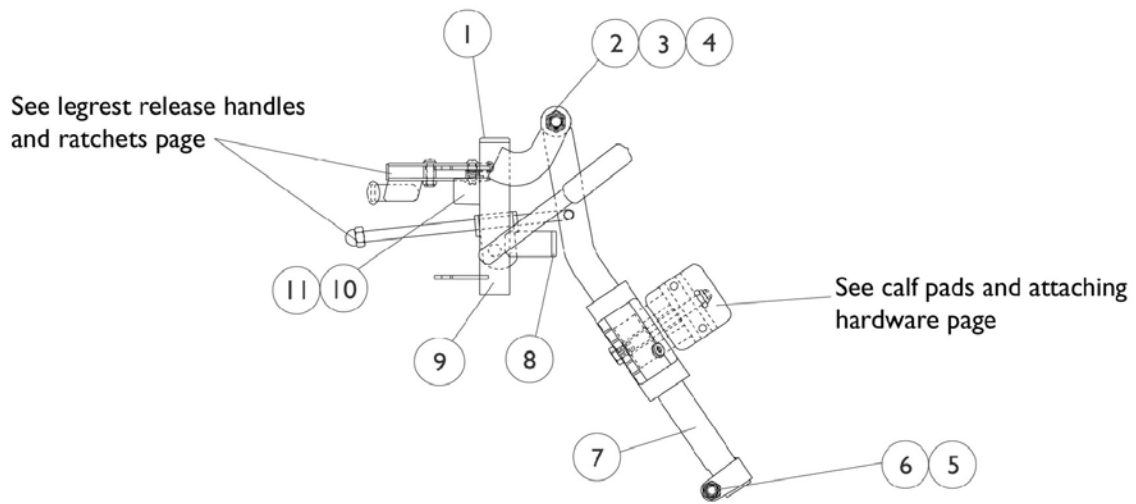


Item Number	Note	Part Number	Description	Quantity Per	
				Package	Assembly
1	A	1070356	Hanger Assembly, Front Rigging, Pin Style, Black - Right (12 - 21" D)	1	1
1	A	1070357	Hanger Assembly, Front Rigging, Pin Style, Black - Left (12 - 21" D)	1	1
1	A	1070358	Hanger Assembly, Front Rigging, Pin Style, Black - Right (22" D)	1	1
1	A	1070359	Hanger Assembly, Front Rigging, Pin Style, Black - Left (22" D)	1	1
2		1027097	Plug Button, Black (3/4")	1	1

NOTE: A - Includes front rigging hanger and item 2

P904A Legrest Supports

Pin and Saddle

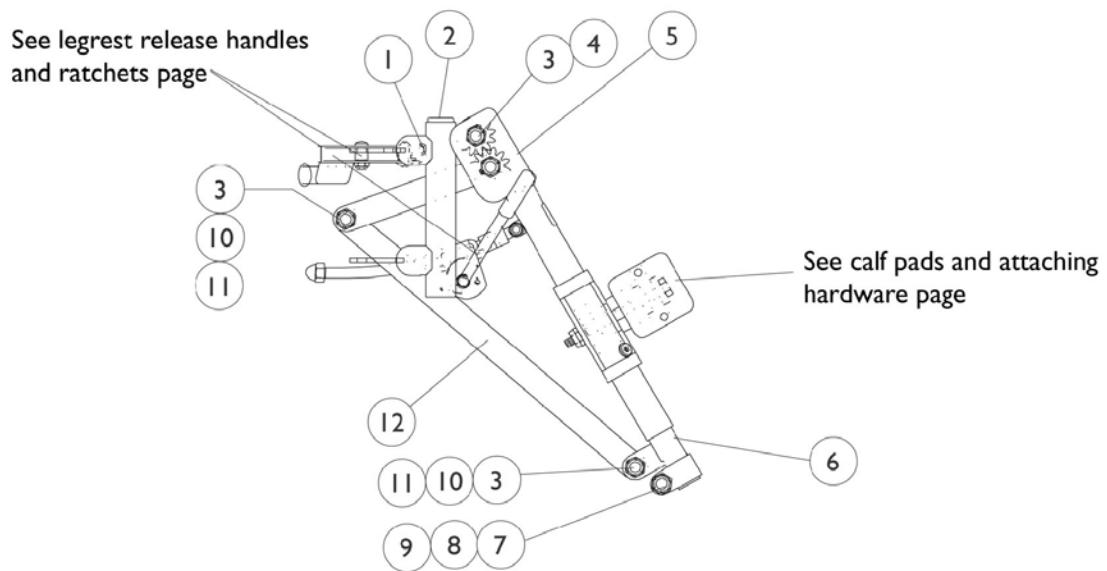


P904A Legrest Supports Pin and Saddle

Item Number	Note	Part Number	Description	Quantity Per	
				Package	Assembly
1		1027095	Plug Button, Black (7/8")	1	1
2		11919X000	NLA - Screw, Slotted Truss Head (3/8-16 x 1-1/2")	1	1
3		1058636	Washer, Nylon (25/64 x 7/8 x 1/32")	1	2
4		40363X000	Hex Nut (3/8"-16)	1	1
5		7930330	Locknut (5/16-24)	25	1
6		1026030	Bolt, Lug (5/16-24 x 1-3/8")	1	1
7	A	8881048851	Tube, Elevating Adjustable Support, Color - Right	1	1
7	A	8881048852	Tube, Elevating Adjustable Support, Color - Left	1	1
8		1027097	Plug Button, Black (3/4")	1	1
9	A	8881058664	Tube, Legrest Support, Color - Right	1	1
9	A	8881058665	Tube, Legrest Support, Color - Left	1	1
10		1022874	Bumper	1	1
11		1030979	Screw, Phillips Pan Head Tap (#10-32 x 3/4")	1	1
	A,B	8881058646	Legrest Support Assembly, Adult, Color - Right	1	1
	A,B	8881058647	Legrest Support Assembly, Adult, Color - Left	1	1

NOTE: A - Specify 24P wet black frame color when ordering.
B - Not Shown

PAS4A/PAL4A Articulating Legests Pin and Saddle

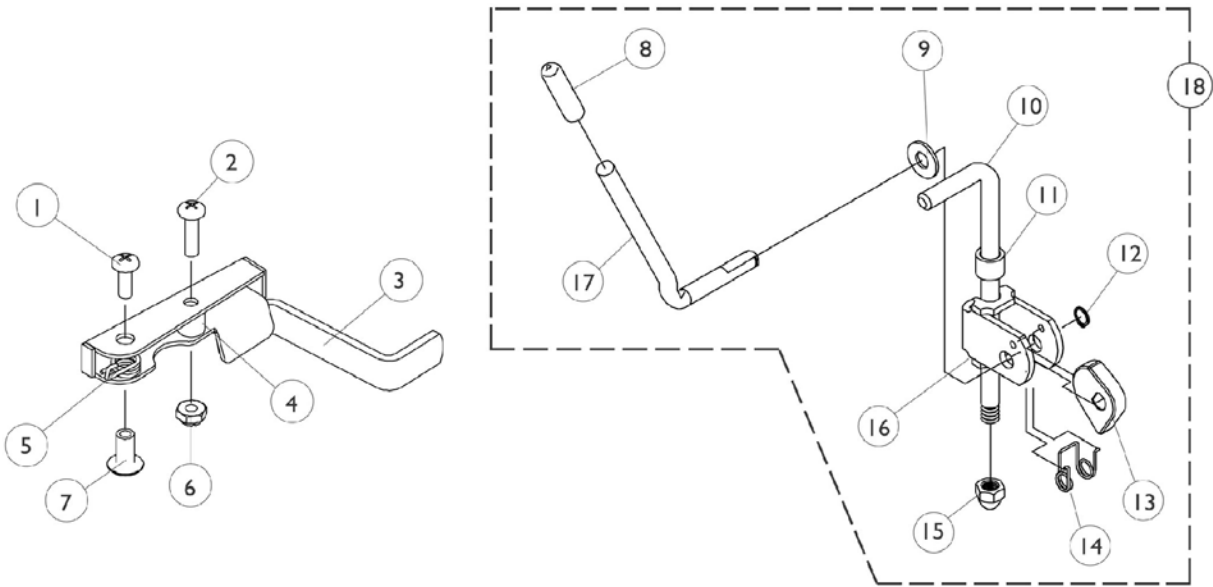


PAS4A/PAL4A Articulating Legests Pin and Saddle

Item Number	Note	Part Number	Description	Quantity Per	
				Package	Assembly
1		1058478	Tube, Legrest Support - Right	1	1
1		1058479	Tube, Legrest Support - Left	1	1
2		1027097	Plug Button, Black (3/4")	1	1
3		40363X000	Hex Nut (3/8"-16)	3	3
4		1022854	Screw, Shoulder Slotted Head (1/2 x 1-1/8", 3/8-16)	1	1
5		1022877	Tube, Support and Drive Link, Chrome - Right	1	1
5		1022878	Tube, Support and Drive Link, Chrome - Left	1	1
6		1022848	Tube, Slide, Articulating, Chrome - Right	1	1
6		1022849	Tube, Slide, Articulating, Chrome - Left	1	1
7		1027377	Washer (#20)	1	1
8		7930363	Package, Locknut (5/16"-24)	25	1
9		11232X009	Bolt, Lug (5/16-24 x 1-3/8")	1	1
10		1022866	Screw, Socket Button Head (3/8-16 x 3/4")	2	2
11		1049527	Washer, Nylon (3/8 x 3/4 x 1/16")	2	2
12		1022846	Bar, Link, Chrome	1	1
	A	1058482	Legrest Support Assembly, Articulating, Adult, Chrome - Right	1	1
	A	1058483	Legrest Support Assembly, Articulating, Adult, Chrome - Left	1	1

NOTE: A - Not Shown

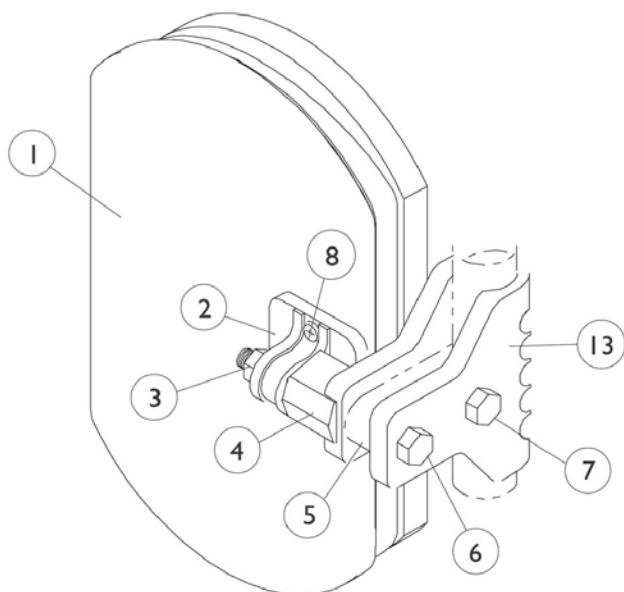
Legrest Release Handles & Ratchets



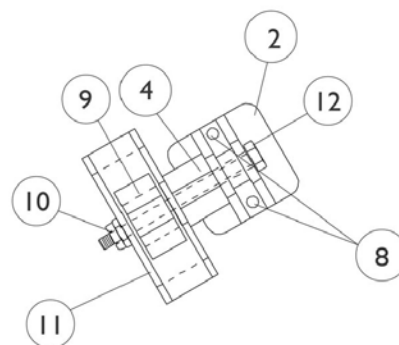
Legrest Release Handles & Ratchets

Item Number	Note	Part Number	Description	Quantity Per	
				Package	Assembly
1		7930328	Package, Screw, Phillips Pan Head (#10-32 x 11/16")	25	1
2		7930335	Package, Screw, Phillips Pan Head (#10-32 x 1/2")	25	1
3		1035539	Handle, Release, Black - Right	1	1
3		1035540	Handle, Release, Black - Left	1	1
4		47565X057	Bushing (7/32 x 3/8 x 11/32")	1	1
5		1028707	Spring, Release - Right	1	1
5		1028708	Spring, Release - Left	1	1
6		7930332	Locknut, High Profile (#10-32)	25	1
7		1028846	Rivnut (#10-32)	1	1
8		1040060	Tip, Plastic, Black	1	1
9		7930310	Washer, Nylon (5/16 x 11/16 x 1/16")	25	1
10	A	42326X004	Bar, Ratchet - Right/Left	1	1
10	B	1023811	Bar, Ratchet - Right	1	1
10	B	1023812	Bar, Ratchet - Left	1	1
11		47328X003	Bushing, Pivot (5/16 x 7/16 x 7/8")	1	1
12		1040831	Ring, Snap	1	1
13		1037125	Cam, Legrest	1	1
14		1037485	Spring, Release	1	1
15		7930336	Nut, Acorn (5/16-24)	25	1
16		04528X002	Bracket, Release, Chrome	1	1
17		1037126	Handle, Release	1	1
18	C	1046329	Kit, Elevating Legrest Ratchet Hardware (Pair)	2	1
18	D	1046331	Kit, Articulating Legrest Ratchet Hardware (Pair)	2	1
NOTE: A - 904A Legrest B - Articulating Legrest C - 904A Legrest (Pair) D - Articulating Legrest (Pair) right and left					

Calf Pads and Attaching Hardware



P904A
Legrest.



PAS4A/PAL4A
Articulating Legrest

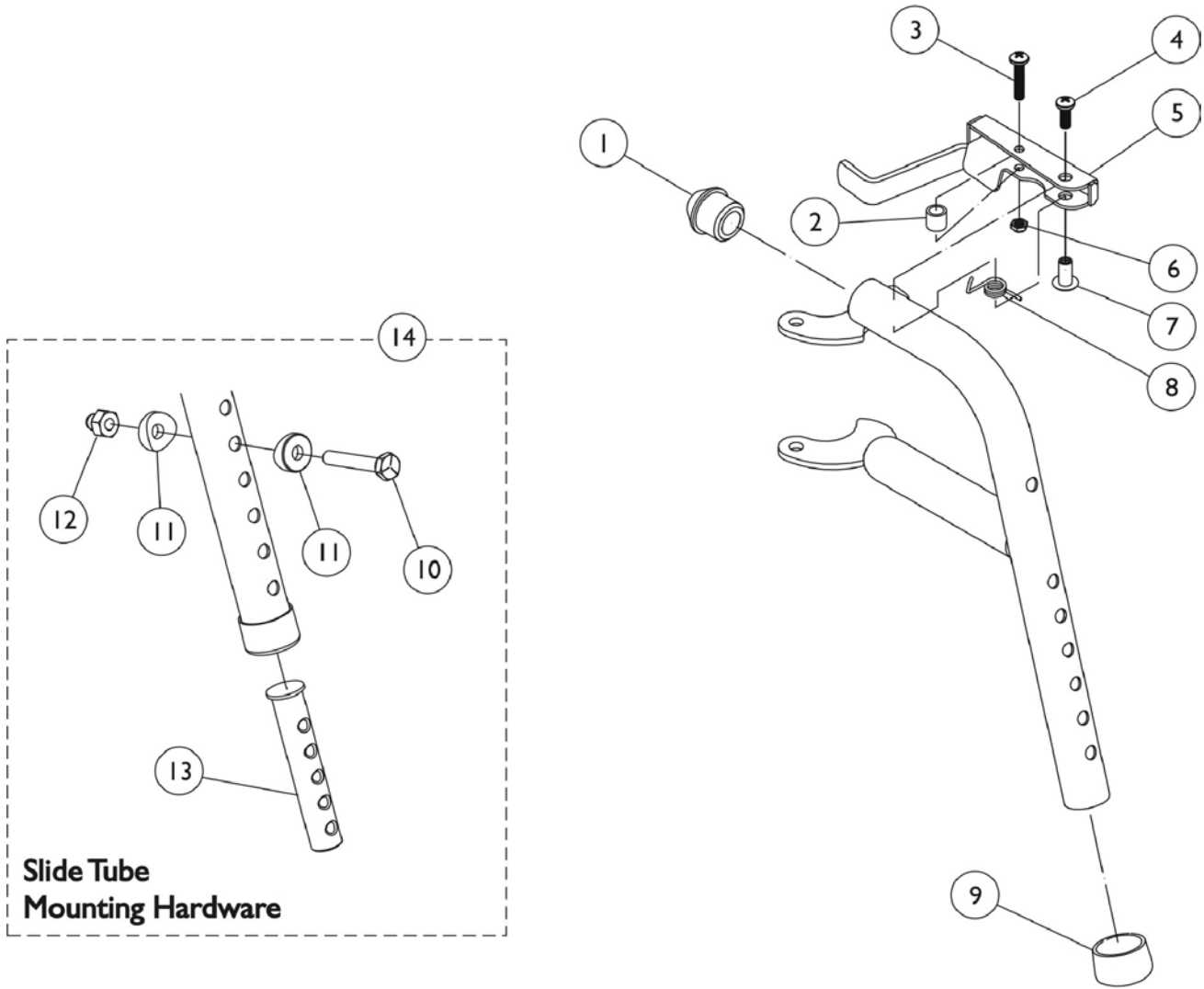
Calf Pads and Attaching Hardware

Item Number	Note	Part Number	Description	Quantity Per	
				Package	Assembly
1	A,B	8881091759	Pad w/ Cover and Screws, Legrest Vinyl (Pair)	2	1
1	A,B	8881091764	Pad, Legrest, Vinyl - Right/Left	1	1
1		01415X000-NLA	NLA - Cover, Legrest Pad	1	1
1	A,C	88804529X003	Pad, Legrest, Vinyl - Right	1	1
1	A,C	88804529X004	Pad, Legrest, Vinyl - Left	1	1
2		04526X019	Plate, Legrest Pad	1	1
3		7930330	Locknut (5/16-24)	25	1
4		1025133	Spacer, Legrest Pad, Black	1	1
5		1032267	Spacer, Legrest Pad Mounting, Black	1	1
6		1037110	Screw, Hex Head (5/16-24 x 3-1/2")	1	1
7		1028514	Screw, Hex Head (5/16-24 x 1-1/2")	1	1
8		1066591	Screw, Phillips Pan Head (#10-32 x 11/16")	2	1
9		48823X008	Spring, Leaf	1	1
10		7930363	Package, Locknut (5/16"-24)	25	2
11		1025104	Bracket, Legrest, Chrome	1	1
12		1014807	Screw, Hex Head (5/16-24 x 3-1/4")	1	1
13		1032266	Bracket, Legrest Pad Mounting, Black	1	1

NOTE: A - Specify U67 black upholstery color when ordering
 B - 16-22" Wide
 C - 14-15" Wide

PW93 Footrest Supports

Pin and Saddle



PW93 Footrest Supports

Pin and Saddle

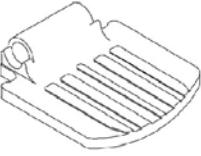
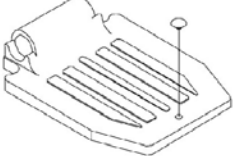
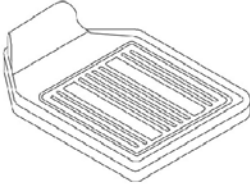
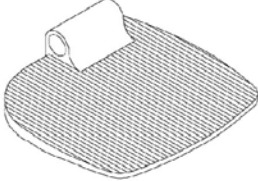
Item Number	Note	Part Number	Description	Quantity Per	
				Package	Assembly
1		1020719	Anti-Rattle, Black	1	1
2		47565X057	Bushing (7/32 x 3/8 x 11/32")	1	1
3		1025716	Screw, Phillips Pan Head (#10-32 x 11/16")	1	1
4		1026114	Screw, Phillips Pan Head (#10-32 x 1/2")	1	1
5		1035539	Handle, Release, Black - Right	1	1
5		1035540	Handle, Release, Black - Left	1	1
6		1025735	Locknut (#10-32)	1	1
7		1028846	Rivnut (#10-32)	1	1
8		1028707	Spring, Release - Right	1	1
8		1028708	Spring, Release - Left	1	1
9		15680X012	Collar, Anti-Rattle (7/8")	1	1
10		1070759	Screw, Hex Head (1/4-20 x 1-1/2")	1	1
11		1026099	Spacer, Coved (1/4 x 11/16 x 1/2")	1	2
12		1044214	Nut, Hex with Nylon Cap (1/4-20)	1	1
13	C	1020534	Insert, Threaded	1	1
14		1074143	Kit, Slide Tube Mounting Hardware	1	1
	B,A	8881070776	Footrest Support Assembly, Adult, Color - Right	1	1
	B,A	8881070777	Footrest Support Assembly, Adult, Color - Left	1	1

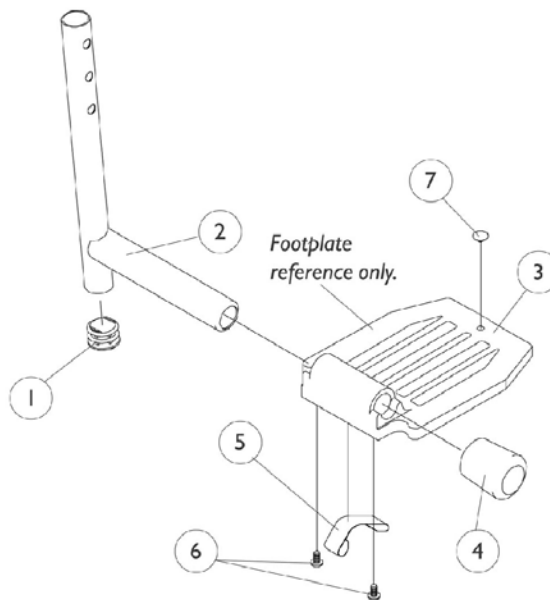
NOTE: A - Specify 24P wet black frame color when ordering.
 B - Not Shown
 C - As of 8/15/03, the Threaded Insert was revised from 3 to 5 Holes. Threaded Insert is Backward Compatible and does not require ordering in Pairs.

Pivot & Slide Tube w/ Standard (1650), Deluxe (1450) and X-Large (1350) Aluminum Footplates

NOTE: Heel loops are not included. See footrest and legrest accessories.

NOTE: For complete pivot/slide tube and footplate assemblies, see front riggings reference charts.

			
<p>14" Wide 1650 Standard Alum.</p>	<p>16"-22" Wide 1650 Standard Alum.</p>	<p>16"-22" Wide 1450 Deluxe Alum.</p>	<p>14"-22" Wide 1350 X-Large Alum.</p>



Pivot & Slide Tube w/ Standard (1650), Deluxe (1450) and X-Large (1350) Aluminum Footplates

NOTE: Heel loops are not included. See footrest and legrest accessories.

NOTE: For complete pivot/slide tube and footplate assemblies, see front riggings reference charts.

Item Number	Note	Part Number	Description	Quantity Per	
				Package	Assembly
1		1027097	Plug Button, Black (3/4")	1	1
2	A	1048834	Pivot/Slide Tube w/ Plug Button, Black	1	1
2	A	1086481	Pivot/Slide Tube w/ Plug Button, Black (2" Longer)	1	1
2	A	1086482	Pivot/Slide Tube w/ Plug Button, Black (4" Longer)	1	1
2	B	1041526	Pivot/Slide Tube w/ Plug, Steel, Chrome	1	1
2	C	1100568	Pivot/Slide Tube w/ Plug Button, Black	1	1
2	C	1100569	Pivot/Slide Tube Assembly, Extra Large, Standard Aluminium - 2" Longer, Black	1	1
2	C	1100570	Pivot/Slide Tube w/ Plug Button, Black (4" Longer)	1	1
2	D	1100571	Pivot/Slide Tube w/ Plug Button, Deluxe, Black	1	1
3	E	44200X059	Footplate, Aluminum, Small, Black (6-3/4" W x 6" L)	1	1
3	F	44200X027	Footplate, Aluminum, Medium, Black (7-3/4" W x 6" L)	1	1
3	F	1043659	Footplate, Aluminum, Deluxe, Black - Right (8" W x 5-3/4" L)	1	1
3	F	1043660	Footplate, Aluminum, Deluxe, Black - Left (8" W x 5-3/4" L)	1	1
3	E	1002343	Footplate, Aluminum, Extra Large, Black - Right (7" W x 8-1/2" L)	1	1
3	E	1002344	Footplate, Aluminum, Extra Large, Black - Left (7" W x 8-1/2" L)	1	1
3	F	44200X025	Footplate, Aluminum, Extra Large, Black - Right (8" W x 8-1/2" L)	1	1
3	F	44200X026	Footplate, Aluminum, Extra Large, Black - Left (8" W x 8-1/2" L)	1	1
4	G	1016346	Cap, End, Tube, Black (7/8")	1	1
4	H	1027095	Plug Button, Black (7/8")	1	1
5	G	1006981	Spring, Leaf	1	2
5	I,J	1036120	Spring	1	2
5	H	1036123	Spring, Leaf	1	1
6	K	7930354	Package, Phillips Head Screw (#8-32 x 3/8")	1	2
7		1070168	Plug, Push, Footplate	1	1

NOTE: A - PW93
 B - PAS4A and PAL4 with standard aluminium and extra large
 C - 904 with standard aluminium and extra large
 D - 904 with deluxe aluminium
 E - 14"-15" Wide
 F - 16"-22" Wide
 G - Standard Aluminium Footplate
 H - Extra Large Footplate
 I - Deluxe Footplate
 J - Takes two per side
 K - Takes one per side

Footrest and Legrest Accessories

Item Number	Note	Part Number	Description	Quantity Per	
				Package	Assembly
	A,B	1032243	Strap, Calf w/ Hook and Loop (36" L)	1	1
	A,C	1032215	H-Strap (26" L)	1	1
	A,D	1032216	H-Strap (31" L)	1	1
	A	See Chart	Attaching Hardware Part Numbers	1	1
	A	See Chart	Heel Loops and Heel Loops w/ Ankle Straps	1	1
	A	See Chart	Toe Loops (1345) and Hardware	1	1

NOTE: A - Not Shown
 B - 14-22" Wide
 C - 14-16" Wide
 D - 17-22" Wide

Heel Loops and Heel Loops w/ Ankle Straps

Footplate Type	Heel Loop Single #	Heel Loop Pair #	Heel Loop w/ Ankle Strap Single # RT.	Heel Loop w/ Ankle Strap Single # LT.	Heel Loop w/ Ankle Strap Pair #	Attaching Hardware Pair #
Std. Alum. (1650) 14-15" W	1025234	1035905	1035908	1035909	1035906	1035907
Std. Alum. (1650) 16-22" W	1017621	1035917	1035919	1035920	1035918	1035907
Deluxe Alum. (1450) 16-22" W	1017621	1035917	1035919	1035920	1035918	1086112
X-Large Alum. (1350) 14-15" W	1025234	1035905	1035908	1035909	1035906	1055241
X-Large Alum. (1350) 16-22" W	1017621	1035917	1035919	1035920	1035918	1055241

Heel Loop Hardware Part Numbers

Part Number	Part Number	Part Number
1035907	1086112	1055241
2 ea. Screw PPH (1/4-20 x 2-1/2") 2 ea. Spacer (1/4 x 11/32 x 1-3/4") 2 ea. Locknut (1/4-20)	2 ea. Screw PPH (1/4-20 x 2-1/2") 2 ea. Spacer (1/4 x 11/32 x 1-3/4") 2 ea. Locknut (1/4-20)	2 ea. Screw PPH (1/4-20 x 2-1/4") 2 ea. Spacer (1/4 x 11/32 x 1-3/4") 2 ea. Locknut (1/4-20)

Footrest and Legrest Accessories

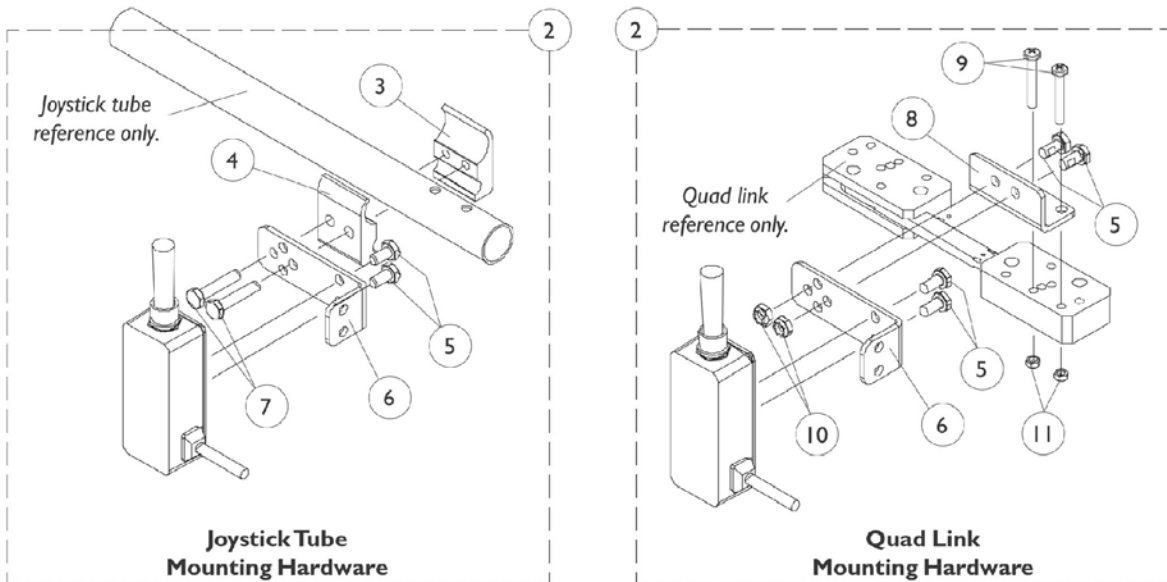
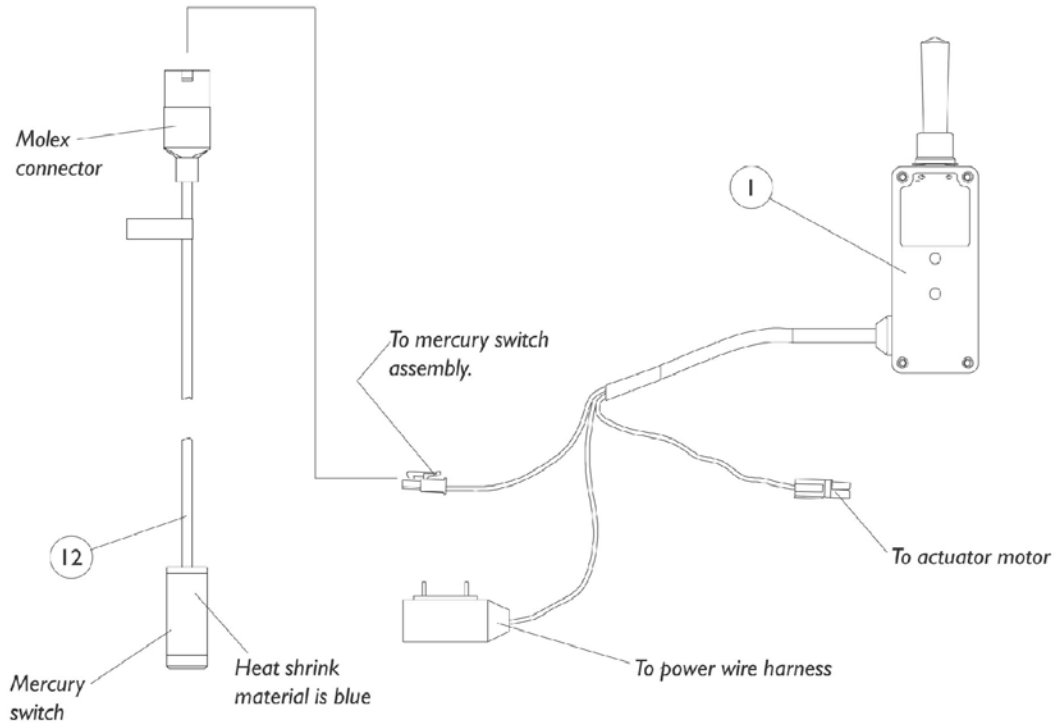
Toe Loops (1345) and Attaching Hardware

Footplate Type	Toe Loop w/o Hardware Single #	Toe Loop w/o Hardware Pair #	Attaching Hardware Part Number	Attaching Hardware Consists of
All Sizes	04572X025	1037087	1037089	4 each Screw PPH (10-32 x 7/8") 4 each Washer (1/4 x 3/4 x 3/32") 4 each Locknut (10-32)

Electronics

Tilt Recline Single Switch (TRSS)

As of 7/1/2009, switches are mercury free. TRSS Tilt Recline Single Switch is not used with MK6i electronics.



Electronics

Tilt Recline Single Switch (TRSS)

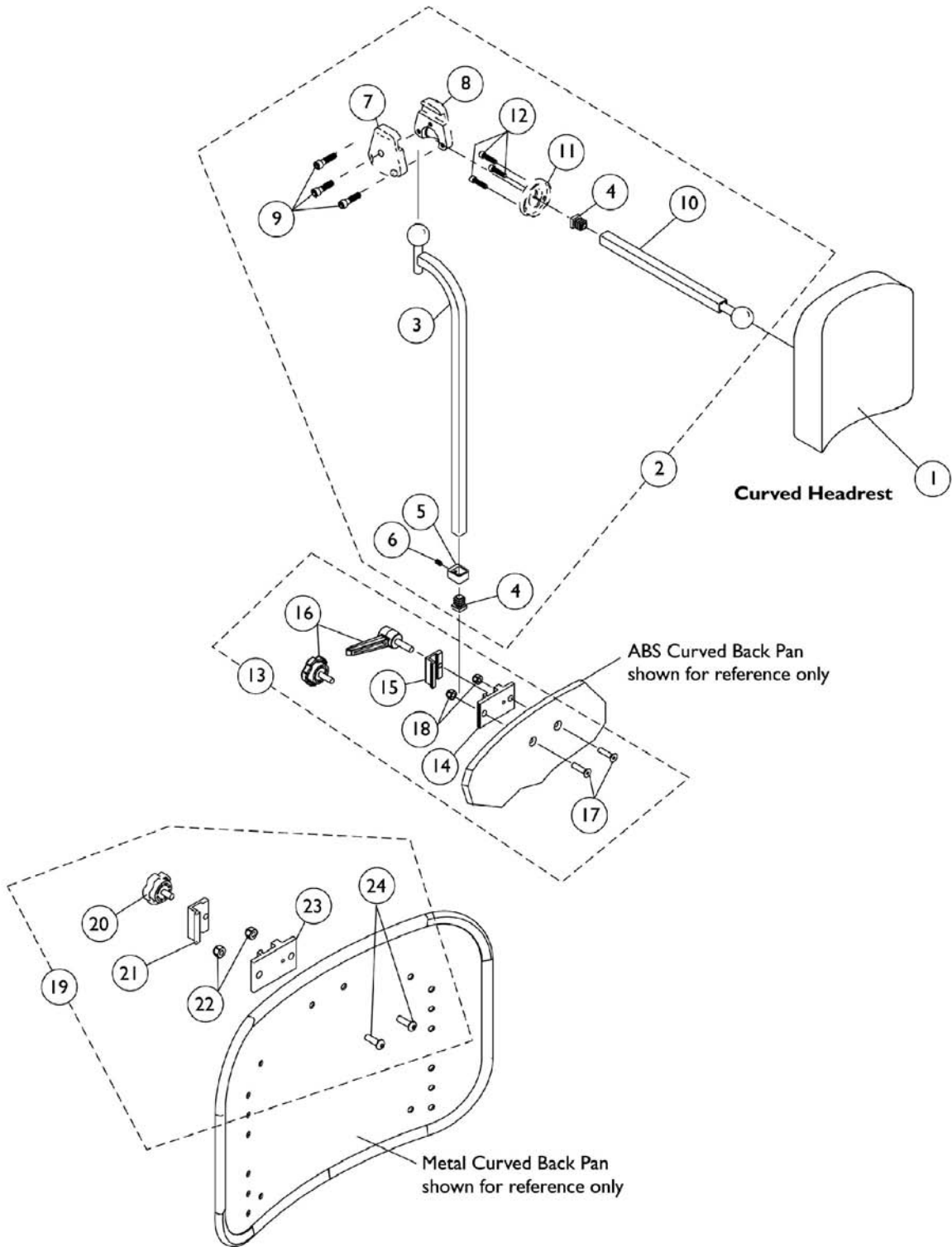
As of 7/1/2009, switches are mercury free. TRSS Tilt Recline Single Switch is not used with MK6i electronics.

Item Number	Note	Part Number	Description	Quantity Per	
				Package	Assembly
1		1089384	Switch, Toggle Tilt Recline Single (TRSS)	1	1
2	A	1091496	Kit, Joystick Tube Toggle Switch Mounting Hardware	1	1
3			Half Clamp, Threaded Holes	1	1
4			Half Clamp, Non-Threaded Holes	1	1
5			Screw, Hex Head w/ Patch (1/4-20 x 1/2")	1	2
6			Bracket, Toggle Switch Mounting, Black	1	1
7			Screw, Hex Head (1/4-20 x 1-1/8")	1	2
2	B	1091497	Kit, Quad Link Toggle Switch Mounting Hardware	1	1
5			Screw, Hex Head w/ Patch (1/4-20 x 1/2")	1	4
6			Bracket, Toggle Switch Mounting, Black	1	1
8			Bracket, Quad Link Toggle Switch Mounting, Black	1	1
9			Screw, Phillips Pan Head (#10-32 x 1-3/8")	1	2
10			Locknut (1/4-20)	1	2
11			Locknut (#10-32)	1	2
12	C	1080635	Harness, Recline/Tilt Limit Mercury Free Ball Switch	1	1
		1106544	Kit, Switch Clip with Mounting Hardware	1	1
			Bracket, Cable/Wire Mounting, Black	1	1
			Screw, Phillips Pan Head Tap (#10-16 x 3/4")	1	1
			Lockwasher, External Tooth (#10)	1	1

NOTE: A - Includes items 3-7
 B - Includes items 5, 6, and 8-11
 C - Not Shown and includes 1 ea. of the (Bracket, Limit Switch); (#10-32 x 3/4" Screw, Phillips Self Tap); (#10 Lockwasher, External Tooth)

Headrest Support Assembly

ABS and Metal Curved Backs



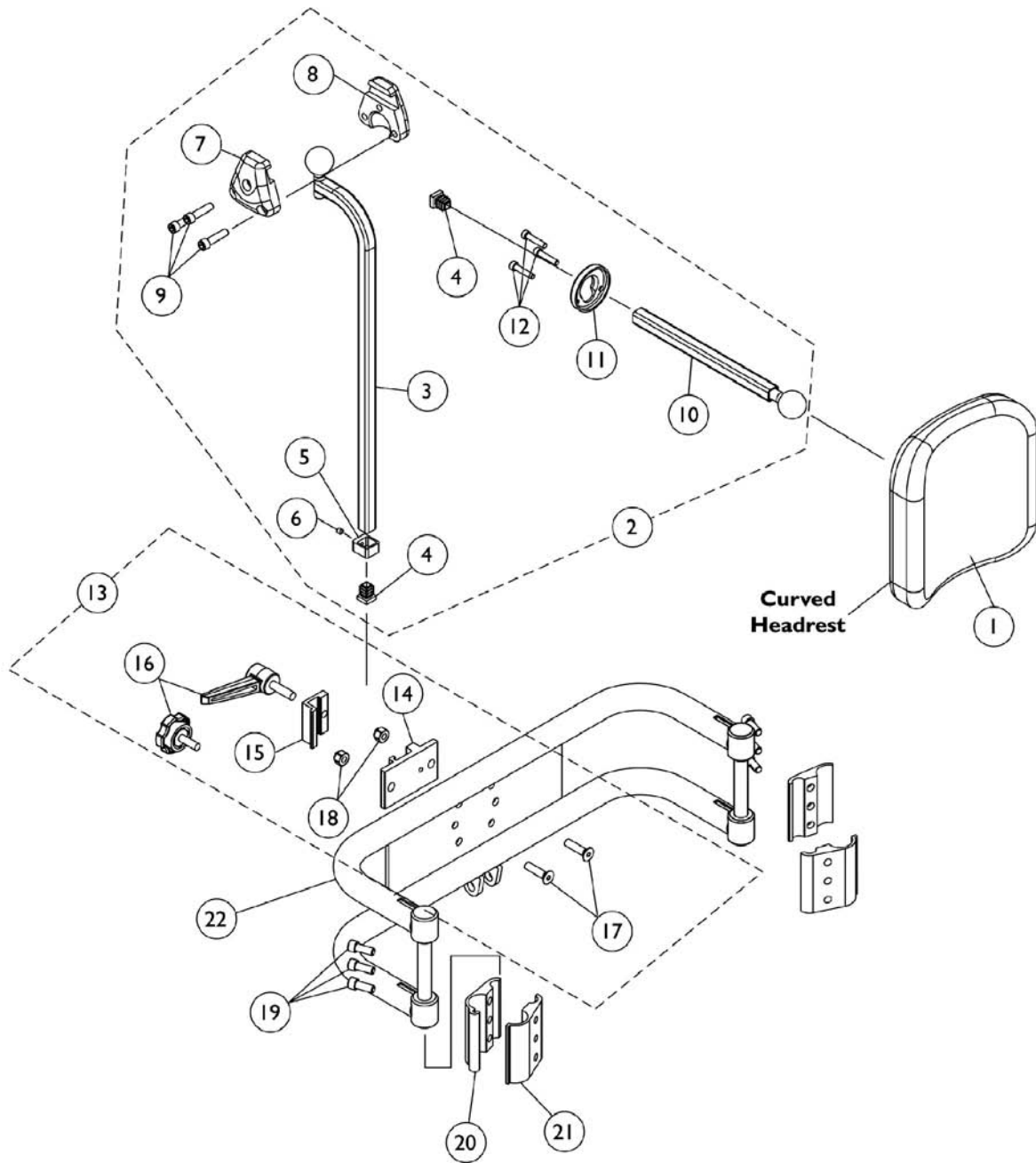
Headrest Support Assembly ABS and Metal Curved Backs

Item Number	Note	Part Number	Description	Quantity Per	
				Package	Assembly
1		0127700	Headrest, Curved (6" W x 7" H)	1	1
2	A	0197024	Fixture Assembly, Offset Support	1	1
3		0271524	Tube, Offset Fixture, Black	1	1
4		1077076	Plug Button, Square (1/2")	1	2
5		0271124	Collar, Offset Fixture Tube	1	1
6		0288606	Screw, Set Socket Cup Point (#10-24 x 3/16")	1	1
7		0271224	Half Clamp, Non-Threaded Holes	1	1
8		0271324	Half Clamp, Threaded Holes	1	1
9		1027268	Screw, Allen Head (1/4-20 x 1")	1	3
10		0271424	Tube, Fixture Adjustment	1	1
11		0283724	Ring, Fixture Clamp	1	1
12		0067006	Screw, Cap, Socket Head (#10-32 x 1/2")	1	3
13	B,E	0273100	Kit, Headrest Clamp, Lever Style	1	1
14	C	0237422-NLA	NLA - Clamp, Small Bottom Half	1	1
15	C	0237522-NLA	NLA - Clamp, Small Top Half	1	1
16		1072439	Knob, Adjustment, Black (3/4" L Threads)	1	1
17		0288706	Screw, Socket, Flat Head (1/4-20 x 1")	1	2
18		1025736	Locknut (1/4-20)	1	2
19	D	1160332	Kit, Headrest Clamp, Knob Style	1	1
20		1072439	Knob, Adjustment, Black (3/4" L Threads)	1	1
21	C	0237522-NLA	NLA - Clamp, Small Top Half	1	1
22		1025736	Locknut (1/4-20)	1	2
23	C	0237422-NLA	NLA - Clamp, Small Bottom Half	1	1
24		1009838	Screw, Socket Button (1/4-20 x 3/4")	1	2

NOTE: A - Includes items 3-12
 B - For ABS Plastic Curved Back models. Includes items 14-18. Item 16 Adjustment Knob was replaced with an Adjustment Lever. The Lever is not available as a separate part. The knob Part # 1072439 is still sold separately and is interchangeable with the Lever.
 C - Clamp is no longer available individually. See Headrest Clamp Mounting Hardware Kit item 13 or 19 depending on Back Style.
 D - Includes items 20-24 and used for Metal Curved Back models. Hardware can also be used with an Invacare PCS Back.
 E - Hardware can also be used with an Invacare Personal Back.

Headrest Support Assembly

Back Cane Only Option



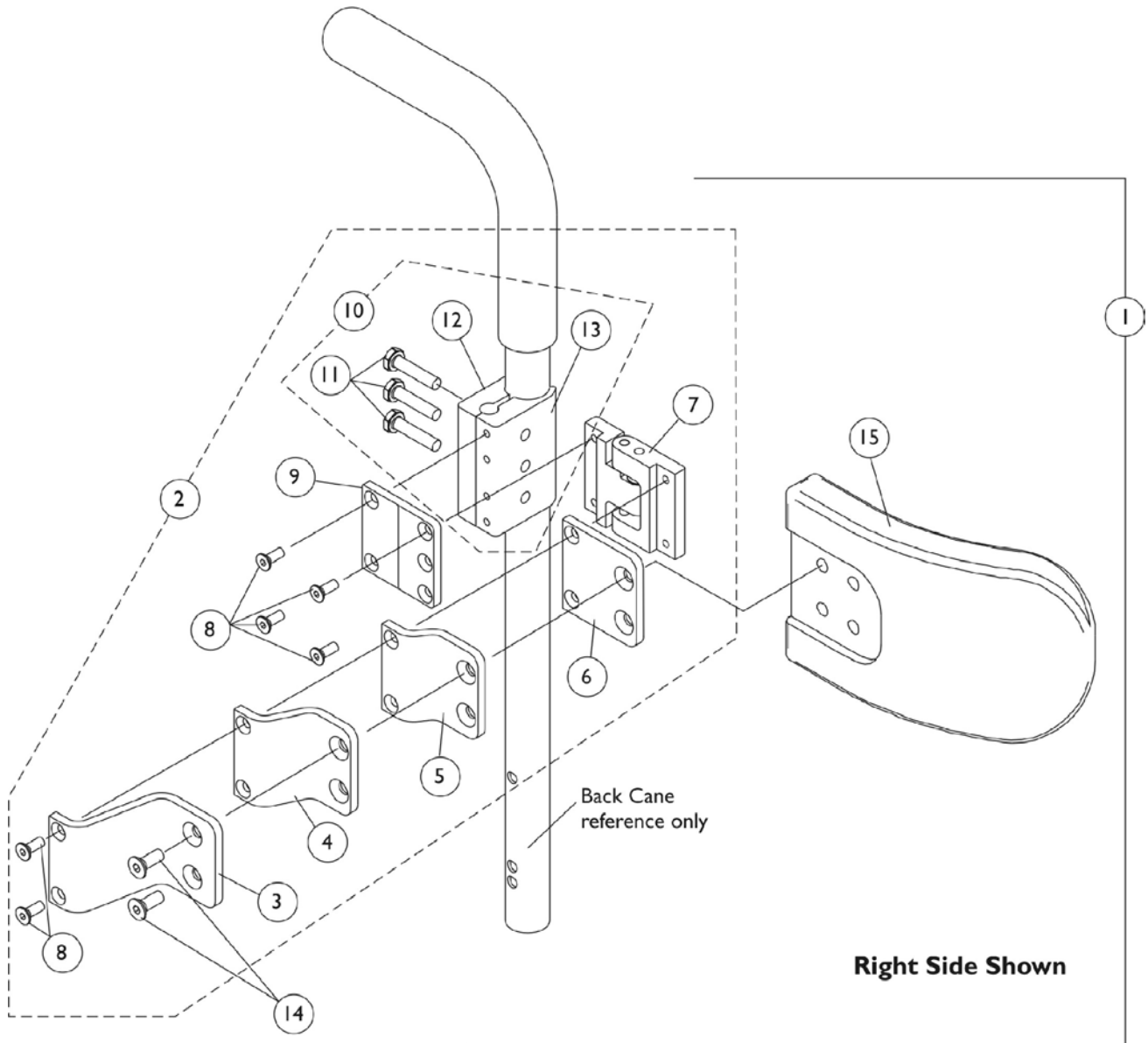
Headrest Support Assembly Back Cane Only Option

Item Number	Note	Part Number	Description	Quantity Per	
				Package	Assembly
1		0127700	Headrest, Curved (6" W x 7" H)	1	1
2		0197024	Fixture Assembly, Offset Support	1	1
3		0271524	Tube, Offset Fixture, Black	1	1
4		1077076	Plug Button, Square (1/2")	1	2
5		0271124	Collar, Offset Fixture Tube	1	1
6		0288606	Screw, Set Socket Cup Point (#10-24 x 3/16")	1	1
7		0271224	Half Clamp, Non-Threaded Holes	1	1
8		0271324	Half Clamp, Threaded Holes	1	1
9		1027268	Screw, Allen Head (1/4-20 x 1")	1	3
10		0271424	Tube, Fixture Adjustment	1	1
11		0283724	Ring, Fixture Clamp	1	1
12		0067006	Screw, Cap, Socket Head (#10-32 x 1/2")	1	1
13	B,C	0273100	Kit, Headrest Clamp, Lever Style	1	1
14	A	0237422-NLA	NLA - Clamp, Small Bottom Half	1	1
15	A	0237522-NLA	NLA - Clamp, Small Top Half	1	1
16		1072439	Knob, Adjustment, Black (3/4" L Threads)	1	2
17		0052906	Screw, Socket Button Head (1/4-20 x 3/4")	25	2
18		7930333	Locknut (1/4-20)	1	6
19		0068706	Screw, Cap, Socket Head (1/4-20 x 5/8")	1	2
20		0190722	Half Clamp, Un-Threaded Holes (7/8" Dia. Back Canes)	1	1
21		0190822	Half Clamp, Threaded Holes (7/8" Dia. Back Canes)	1	2
22		0013402	Bar, Push, Black (14" W)	1	1
22		0013502	Bar, Push, Black (15" W)	1	1
22		0013602	Bar, Push, Black (16" W)	1	1
22		0013702	Bar, Push, Black (17" W)	1	1
22		0013802	Bar, Push, Black (18" W)	1	1
22		0013902	Bar, Push, Black (19" W)	1	1
22		0014002	Bar, Push, Black (20" W)	1	1
22		0014102	Bar, Push, Black (21" W)	1	1
22		0014202	Bar, Push, Black (22" W)	1	1

NOTE: A - Clamp is no longer available individually. See item 13 Clamp Assembly part number 0273100
B - Back Canes Only. Includes items 14-18. Item 16 Adjustment Knob was replaced with an Adjustment Lever. The Lever is not available as a separate part. The knob Part # 1072439 is still sold separately and is interchangeable with the Lever.
C - Hardware can also be used with an Invacare Personal Back.

Lateral Support Assembly

Tarsys



Lateral Support Assembly

Tarsys

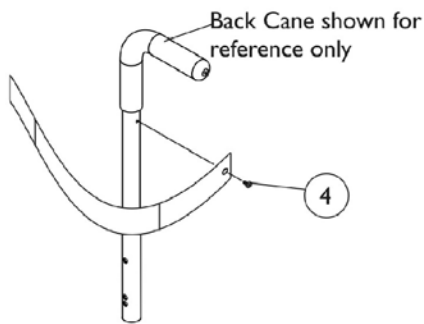
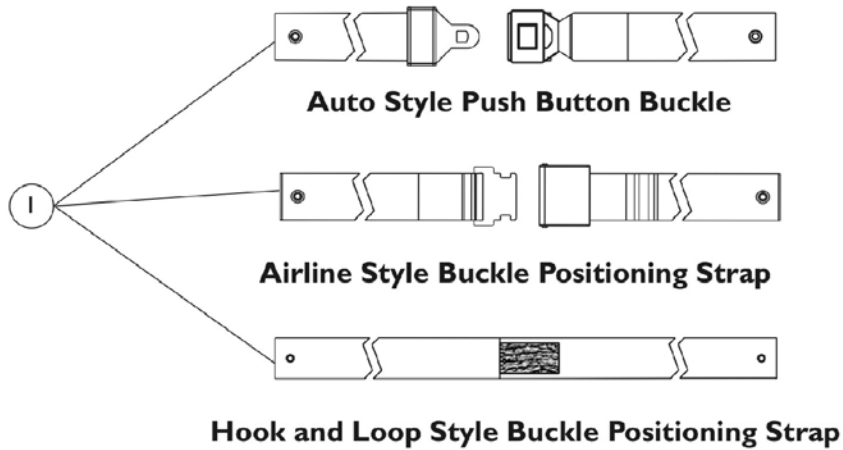
Item Number	Note	Part Number	Description	Quantity Per	
				Package	Assembly
1	A	1107298	Kit, Swingaway Lateral Support Assemblies w/ Medium Pads (Pair)	1	1
3			Bracket, Extension Offset, Black (2")	1	2
4			Bracket, Extension Offset, Black (1")	1	2
5			Bracket, Extension Offset, Black (1/2")	1	2
6			Bracket, Flush Mount, Black	1	2
7			Bracket, Swingaway, Cane Clamp, Black - Right	1	1
7			Bracket, Swingaway, Cane Clamp, Black - Left	1	1
8			Screw, Socket Flat Head (#10-32 x 1/2")	1	12
9			Bracket, Mounting, Black	1	2
11			Screw, Hex Head (1/4-20 x 1-1/8")	1	6
12			Half Clamp, Non-Threaded Holes	1	2
13			Half Clamp, Threaded Holes	1	2
14			Screw, Socket Flat Head (1/4-20 x 1/2")	1	4
15			Pad, Lateral Support - Medium (6" W x 4" H)	1	2
1	A	1107299	Kit, Swingaway Lateral Support Assemblies w/ Large Pads (Pair)	1	1
3			Bracket, Extension Offset, Black (2")	1	2
4			Bracket, Extension Offset, Black (1")	1	2
5			Bracket, Extension Offset, Black (1/2")	1	2
6			Bracket, Flush Mount, Black	1	2
7			Bracket, Swingaway, Cane Clamp, Black - Right	1	1
7			Bracket, Swingaway, Cane Clamp, Black - Left	1	1
8			Screw, Socket Flat Head (#10-32 x 1/2")	1	12
9			Bracket, Mounting, Black	1	2
11			Screw, Hex Head (1/4-20 x 1-1/8")	1	6
12			Half Clamp, Non-Threaded Holes	1	2
13			Half Clamp, Threaded Holes	1	2
14			Screw, Socket Flat Head (1/4-20 x 1/2")	1	4
15			Pad, Lateral Support - Large (6" W x 5" H)	1	2
2	B	1107245	Kit, Swingaway Bracket Assembly with Offset Brackets, Cane Clamp - Right	1	1
3			Bracket, Extension Offset, Black (2")	1	1
4			Bracket, Extension Offset, Black (1")	1	1
5			Bracket, Extension Offset, Black (1/2")	1	1
6			Bracket, Flush Mount, Black	1	1
7			Bracket, Swingaway, Cane Clamp, Black - Right	1	1
8			Screw, Socket Flat Head (#10-32 x 1/2")	1	6
9			Bracket, Mounting, Black	1	1
11			Screw, Hex Head (1/4-20 x 1-1/8")	1	3
12			Half Clamp, Non-Threaded Holes	1	1

Lateral Support Assembly

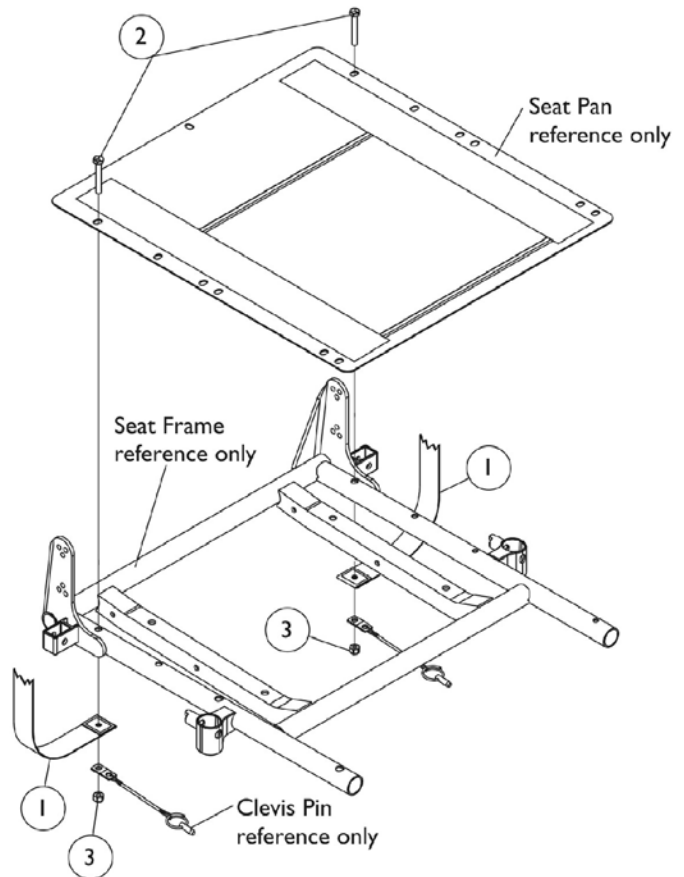
Tarsys

Item Number	Note	Part Number	Description	Quantity Per	
				Package	Assembly
13			Half Clamp, Threaded Holes	1	1
2	B	1107246	Kit, Swingaway Bracket Assembly with Offset Brackets, Cane Clamp - Left	1	1
3			Bracket, Extension Offset, Black (2")	1	1
4			Bracket, Extension Offset, Black (1")	1	1
5			Bracket, Extension Offset, Black (1/2")	1	1
6			Bracket, Flush Mount, Black	1	1
7			Bracket, Swingaway, Cane Clamp, Black - Left	1	1
8			Screw, Socket Flat Head (#10-32 x 1/2")	1	6
9			Bracket, Mounting, Black	1	1
11			Screw, Hex Head (1/4-20 x 1-1/8")	1	3
12			Half Clamp, Non-Threaded Holes	1	1
13			Half Clamp, Threaded Holes	1	1
10	C	1107117	Kit, Lateral Support Mounting Hardware	1	1
11			Screw, Hex Head (1/4-20 x 1-1/8")	1	3
12			Half Clamp, Non-Threaded Holes	1	1
13			Half Clamp, Threaded Holes	1	1
NOTE: A - Includes items 3-9 and 11-15 B - Includes items 3-9 and 11-13 C - Includes items 11-13					

Seat Positioning Straps



**Chest Positioning Strap
Mounting Hardware
(For ABS & Metal Curved Back)
and
Back Cane Only Option**



Seat Positioning Straps

Item Number	Note	Part Number	Description	Quantity Per	
				Package	Assembly
1	A	1004310	Strap, Positioning, Seat/Chest w/ Auto Style Push Button Buckle (Eyelet to Eyelet Length 48")	1	1
1	B	1034625	Strap, Positioning, Seat/Chest w/ Auto Style Push Button Buckle (Eyelet to Eyelet Length 61")	1	1
1	B	1034752	Strap, Positioning, Seat/Chest w/ Airline Style Buckle (Eyelet to Eyelet Length 61")	1	1
1	C	1034745	Strap, Positioning, Seat/Chest w/ Hook and Loop Style Buckle (Eyelet to Eyelet Length 61")	1	1
2		1037610	Screw, Hex Head (1/4-20 x 1-5/8")	1	2
3		1025736	Locknut (1/4-20)	1	2
4	D	1026298	Package, Screw with Washer (#10 x 7/8") (Pair)	2	1
NOTE: A - 16"-19" Wide B - 20"-22" Wide C - 16"-22" Wide D - Hardware used for mounting the Chest Positioning Strap					

Power Wheelchair Tool Kit

1



Multimeter with Leads



Grounding Wire



1" Test Leads



Protractor/Angle Locator



Invacare Pen Light



Invacare Tape Measure



Invacare Phillips/Flat Head Screwdriver



MKIV Programmer



Virtual Service Charger Cable

Power Wheelchair Tool Kit

Item Number	Note	Part Number	Description	Quantity Per	
				Package	Assembly
1		1125222-NLA	NLA - Kit, Power Wheelchair Tool Includes: 1 ea. Multimeter with Leads 1 ea. Locator, Protractor/Angle Magnetic Base 1 ea. Instructions, MKIV Programmer 1 ea. Wire, Grounding with Hand Strap and Clip 1 ea. Leads, 1" Test 1 ea. Light, Pen with Invacare Logo 1 ea. Tape Measure, Compact with Invacare Logo 1 ea. Screwdriver, Pen-Size Phillips/Flat Head 1 ea. Cable, Virtual Service Charger/Modem	1	1

Invacare Corporation

www.invacare.com



Yes, you can.™

One Invacare Way
Elyria, Oh USA
44036-2125
800-333-6900

Technical Support
800-832-4707
Florida Technical Support
407-321-5630

Customer Service
800-333-6900

© 2012 Invacare Corporation. All rights reserved. Republication, duplication or modification in whole or in part is prohibited without prior written permission from Invacare. Trademarks are identified by™ and ©. All trademarks are owned by or licensed to Invacare Corporation or its subsidiaries unless otherwise noted. (Revised 01/04/12)

Form No. 01-039