

Nutron®

R32™

R32™ LX

R50™ LX

R51™

R51™ LX

R51™ LXP

RWD

Powered Wheelchairs



Parts Catalog Usage Guide

The information contained in this document is subject to change without notice. This catalog contains service parts for Form No. 01-220. If you have any questions regarding this catalog, please contact one of our Customer Service Representatives.

For Customer Service Support Call:

1-800-333-6900

For Faxed In Orders Call:

1-800-678-4682 or

1-440-366-0709

For Technical Service Call:

1-800-832-4707

Literature Can Be Found at:

www.invacare.com or

1-800-828-6272

SYMBOL DEFINITION

Throughout this catalog you will notice letters to draw your attention to specific footnotes which are located at the bottom of the page or below specified charts.

Examples:

A,B,C etc. = Special Comments

NOTE: = General information pertaining to that specific page

NLA = No Longer Available

HARDWARE MEASUREMENTS

The measurements for the hardware will be listed as follows:

Screws, Bolts Diameter X Thread Count/Pitch X Length

Washers Inside Diameter X Outside Diameter X Thickness

Spacers Inside Diameter X Outside Diameter X Length

For your convenience, we have supplied an area for you to list your Invacare Representatives.

Name	Phone Numbers

©2008 Invacare Corporation. Elyria, Ohio. Invacare, Yes, you can., the Medallion Design, and Nutron are registered trademarks and R32, R50, R51, MKIV, and NX are trademarks of Invacare Corporation.

TABLE of CONTENTS

Description	Page Number
Accessories - Miscellaneous	85
Accessories - Oxygen Holder Assembly	86
Accessories - Power Wheelchair Tool Kit	88
Accessories - Solid Seat Inserts	81
Accessories - Wheel Locks (After 2/14/03)	83
Accessories - Wheel Locks (Before 2/15/03)	82
Arms, Adjustable Height	25
Arms, Fixed Height	23
Back Canes and Hardware - Adjustable Height and Adjustable Angle Back	13
Back Canes and Hardware - Fold Down Adj. Height Angle Back	15
Battery Boxes and Trays	34
Battery Chargers	36
Caster and Forks	27
Crossbraces and Seat Extensions	11
Electronics - MK5 Controllers, Programmer and Hardware (After 2/14/03)	79
Electronics - MK5 SPJ Joystick and Mounting Hardware (After 2/14/03)	64
Electronics - MK5 SPJ+ Joystick and Mounting Hardware (Introduced 8/16/05)	66
Electronics - MKIV Controllers, Harness , Programmer and Hardware (Before 2/15/03)	77
Electronics - MKIV Joystick Switch Options	75
Electronics - MKIV Joysticks and Mounting Hardware (Before 2/15/03)	62
Electronics - MKIV Joysticks, PSF and PSR (Before 2/15/03)	68

TABLE of CONTENTS

Description	Page Number
Electronics - MKIV Mid-Line Swing Bracket Assembly	70
Electronics - Quad Link Assembly (Before 4/07/06)	71
Electronics - Quad Link Assembly (QL) (After 4/06/06)	73
Frame Finishes, Touch-Up Paint and Upholstery Options	5
Frames, Frame Hardware, and Anti-Tips	8
Front Rigging - Adjustable Angle Footplate Assemblies - AT5543	57
Front Rigging - Footrest and Legrest Accessories	58
Front Rigging - Footrest Supports - P93M	44
Front Rigging - Footrest Supports - PW93	41
Front Rigging - Footrest Supports - PW93E	42
Front Rigging - Footrest Supports - PW93ST	43
Front Rigging - Front Rigging Hanger	61
Front Rigging - Legrest Supports - P904A	45
Front Rigging - Legrest, Articulating PAS4A/PAL4A	48
Front Rigging - Pivot/Slide Tube and Footplate - P904, PAL4A, and PAS4A	55
Front Rigging - Pivot/Slide Tube and Footplate - P93M, PW93, and PW93E	51
Front Rigging - Pivot/Slide Tube and Footplate - PW93ST	53
Front Rigging - Reference Chart	38
Motors, (2-Pole), Gearbox and Drive Wheel	29
Motors, (4-Pole) and Gearbox - Model R51LXP only	32
Packaging, Literature and Decals	6

TABLE of CONTENTS

Description	Page Number
Upholstery, Back	20
Upholstery, Seat	17

Frame Finishes, Touch-Up Paint and Upholstery Options

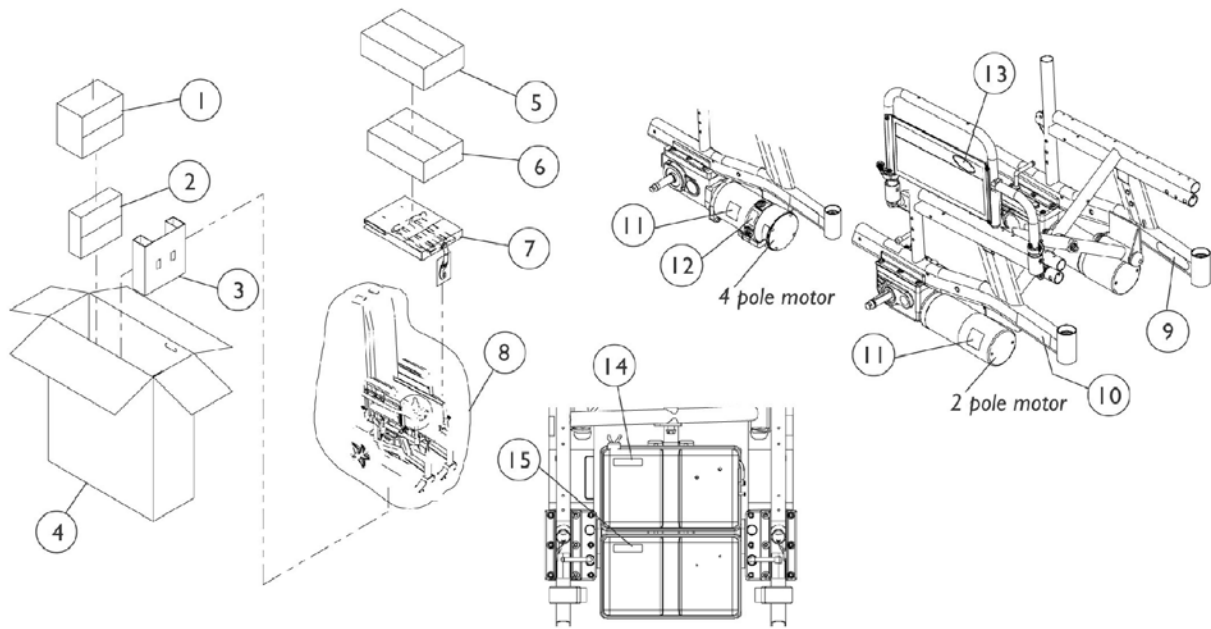
Frame Finishes and Touch-Up Paint

Color Number	Part Number	Bottle Size	Color
24P	1031450	.6 oz	Wet Black
33P	1031455	.6 oz	Red
61P	1046321	.6 oz	Electric Red
62P	1046320	.6 oz	Electric Blue
71P	N/A	N/A	Silver Vein
101P	1101325	.6 oz	Jeweled Green

Upholstery Options

Lightweight Vinyl	Nylon
U05 Black	U240 Black

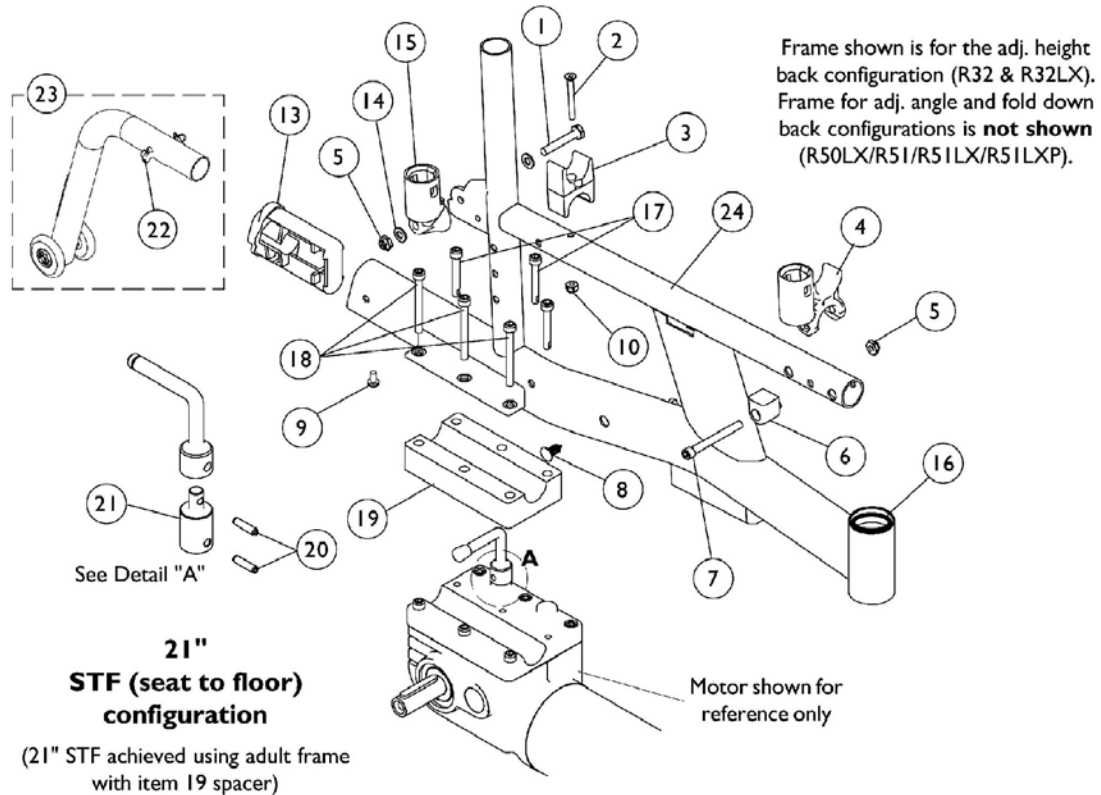
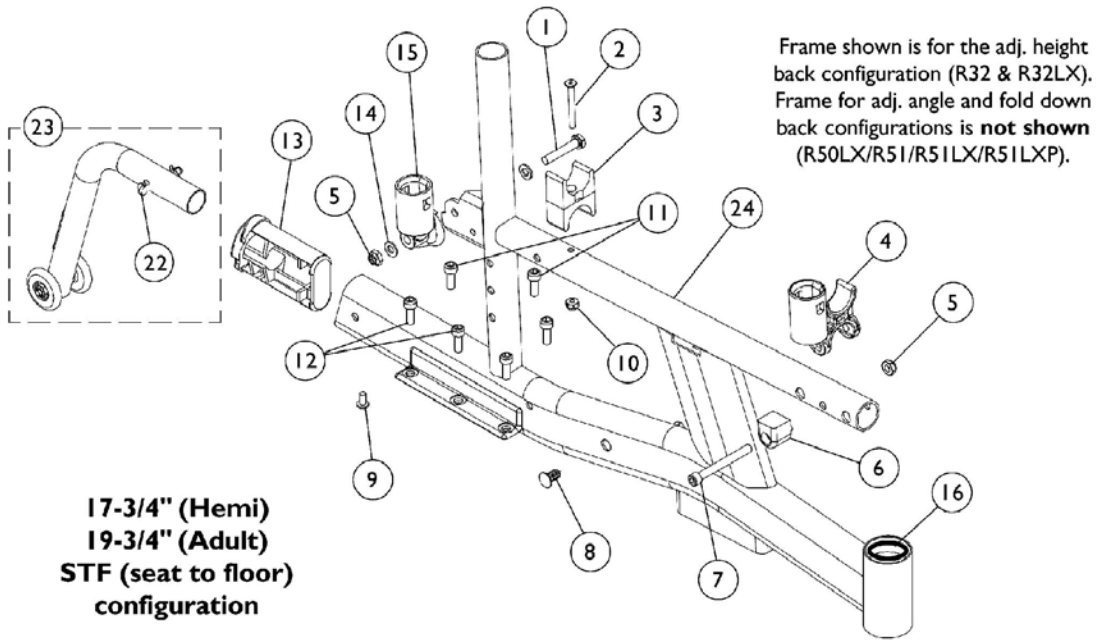
Packaging, Literature and Decals



Packaging, Literature and Decals

Item Number	Note	Part Number	Description	Quantity Per	
				Package	Assembly
1		1023167	Carton, Battery Boxes	1	1
2		40131X148	Carton, Hardware	1	1
3		1108625	Insert	1	1
4		1074355	Carton	1	1
5	B	40131X011	Carton, Front Riggings	1	1
6		1023607	Carton	1	1
7		1023165	Insert	1	1
8		1015592	Bag, Poly (72" L x 35" W x 19" D)	1	1
9		1035900	Decal, Transportation	1	1
10		1107645-NLA	Decal Model - R32	1	2
10		1107646-NLA	Decal Model - R32LX	1	2
10		1107647	Decal Model - R50LX	1	2
10		1107648	Decal Model - R51	1	2
10		1107649	Decal Model - R51LX	1	2
10		1107650	Decal Model - R51LXP	1	2
11		1107653	Decal 350 Watts (2 Pole Motors)	1	2
11		1107654	Decal 650 Watts (4 Pole Motors)	1	2
12		1104797	Decal, Shroud Drive/Push	1	2
13		1095489	Decal, Invacare 3-D Logo (2-1/2" L)	1	2
14		1107651	Decal, Front Battery Cover	1	1
15		1107652	Decal, Rear Battery Cover	1	1
	A	1095272	Manual, Instruction MKIV RII	1	1
	A	1095273-NLA	Manual, Instruction MKIV RII LP	1	1
	A	1106644	Owner's Manual - R32 and R32LX	1	1
	A	1106645	Owner's Manual - R50LX R51 R51LX and R51LXP	1	1
	A	1110532	Manual, Instruction, MK5 NX/NX-LP	1	1
NOTE: A - Not Shown. B - Required only with Hemi Models.					
Note: When adjusting or replacing parts, please refer to your Owner's Manual.					

Frames, Frame Hardware, and Anti-Tips



Frames, Frame Hardware, and Anti-Tips

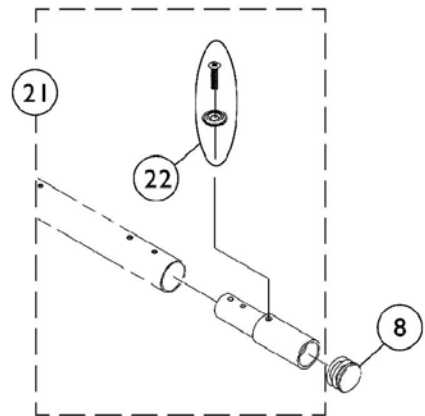
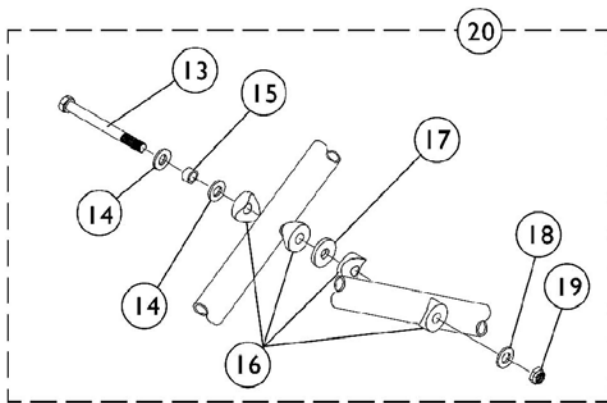
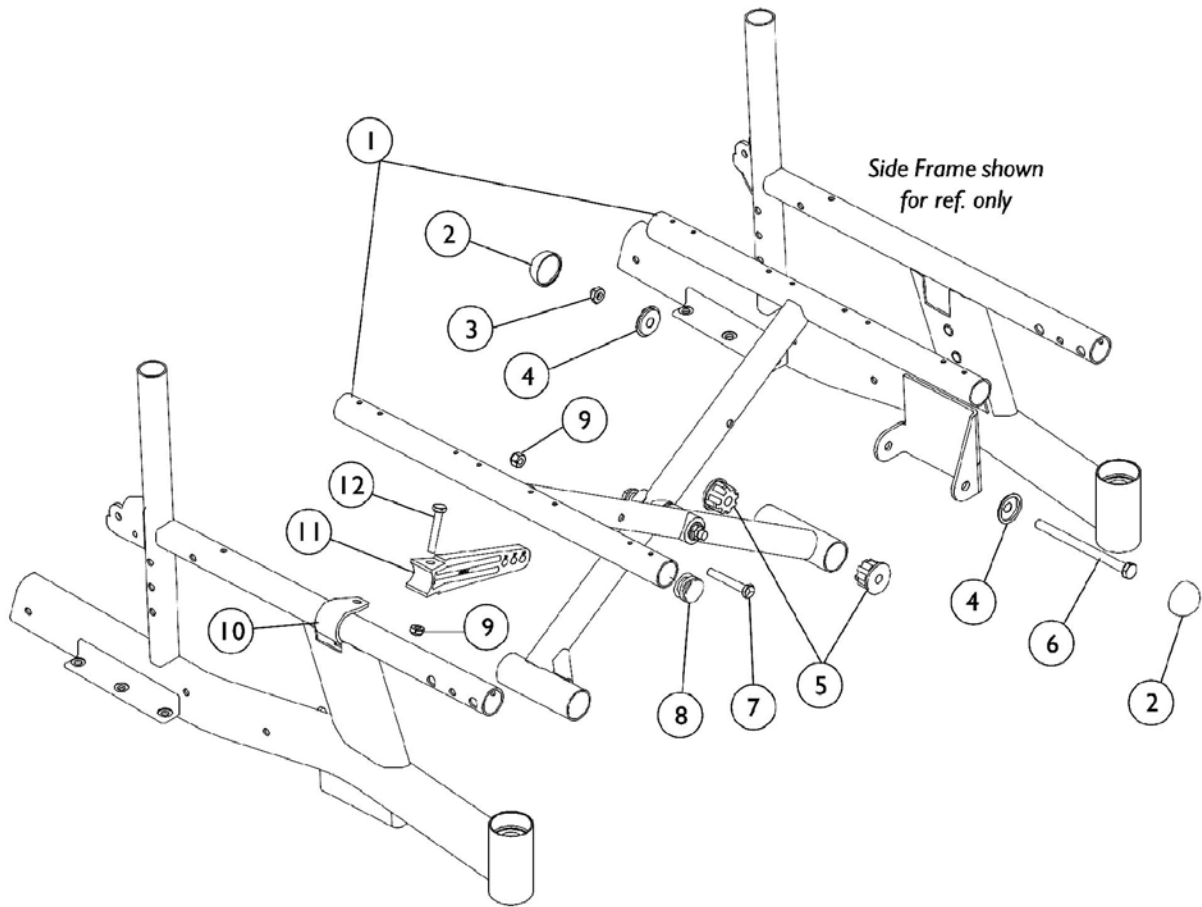
Item Number	Note	Part Number	Description	Quantity Per	
				Package	Assembly
1		1055298	Screw, Hex Head (1/4-28 x 1-5/8")	1	2
2		1085134	Screw, Socket Flat Head C'Sunk (#10-32 x 1-5/8")	1	2
3		1007541	Seat Guide	1	2
4		1036485	Arm Socket	1	2
5		1025765	Locknut (1/4-28)	1	2
6		1106315	Brace, Arm Socket	1	2
7		1119977	Screw, Socket Head Cap (1/4-20 x 2-1/4")	1	2
8		1058520	Fastener, Panel Snap-In	1	2
9		1022597	Screw, Phillips Pan Head Tap (#10-32 x 3/8")	1	2
10		1025731	Locknut (#10-32)	1	2
11		1071505	Screw, Socket Head Cap with Patch (M6 x 20MM)	1	3
12		1080712	Screw, Socket Head (M6 x 1 x 30MM)	1	3
13		1106283	Plug, Anti-tip	1	2
14		1026907	Washer (1/4 x 1/2 x 1/16")	1	4
15		1056406	Cup, Socket Pivot	1	2
	B,D	1106320	Side Frame Hardware, 17-3/4"-19-3/4" Seat to Floor (1 Pair)	2	1
16		40117X006	Bearing (5/8")	1	2
17		1124839	Screw, Socket Head Cap (M6 x 1 x 40MM)	1	6
18		1124840	Screw, Socket Head Cap (M6 x 1 x 55MM)	1	6
19		1124829	Spacer, Motor	1	2
20		1124842	Pin, Roll (4MM x 16MM)	1	4
21		1124833	Extension, Motor Lock	1	2
	A,D	1124828	Side Frame Hardware, 21" Seat to Floor (1 Pair)	2	1
22		1025763	Spring, Torsion with Double Button	1	2
23	F	1106298	Anti-Tip, Rear	1	1
23	G	1124838	Anti-Tip, Rear	1	1
24		See Chart	#24 Side Frames	1	1
	E	1025736	Locknut (1/4-20)	1	1
	E	1018739	Washer (1/4 x 5/8 x 3/32")	1	1
	E	1037610	Screw, Hex Head (1/4-20 x 1-5/8")	1	1
<p>NOTE: A - Includes items 1-10, 13-15, & 17-21 B - Includes items 1-11, 13-15 D - Not Shown. E - Wheel Lock hardware for replacement side frame built before 2/15/03. F - 17-3/4"-19-3/4" Seat to Floor configuration G - 21" Seat to Floor configuration</p>					

Frames, Frame Hardware, and Anti-Tips

#24 Side Frames

Frame Style	R32	R32LX	R50LX	R5I	R51LX	R51LXP
Adult - Right See Note(s) C	8881107659 See Note(s) C, A	8881107659 See Note(s) C, A	8881107663 See Note(s) C, A	8881107663 See Note(s) C, A	8881107663 See Note(s) C, A	8881107663 See Note(s) C, A
Adult - Left Before 4/7/03	8881107660 See Note(s) A	8881107660 See Note(s) A	8881107664 See Note(s) A	8881107664 See Note(s) A	8881107664 See Note(s) A	8881107664 See Note(s) A
Adult - Left After 4/6/03	8881119134 See Note(s) B, A	8881119134 See Note(s) B, A	8881119136 See Note(s) B, A	8881119136 See Note(s) B, A	8881119136 See Note(s) B, A	8881119136 See Note(s) B, A
Hemi - Right See Note(s) C	8881107657 See Note(s) C, A	8881107657 See Note(s) C, A	8881107661 See Note(s) C, A	8881107661 See Note(s) C, A	8881107661 See Note(s) C, A	8881107661 See Note(s) C, A
Hemi - Left Before 4/7/03	8881107658 See Note(s) A	8881107658 See Note(s) A	8881107662 See Note(s) A	8881107662 See Note(s) A	8881107662 See Note(s) A	8881107662 See Note(s) A
Hemi - Left After 4/6/03	8881119133 See Note(s) B, A	8881119133 See Note(s) B, A	8881119135 See Note(s) B, A	8881119135 See Note(s) B, A	8881119135 See Note(s) B, A	8881119135 See Note(s) B, A
NOTE:	A - Specify frame finish when ordering, see page titled "Frame Finishes". B - Threaded inserts removed from left side frame that mounted the MKIV controller. MK5 controller mounts differently and the threaded inserts are no longer used C - Right Side Frames were Not affected by the MK5 change. Right Frame part nos. shown are applicable regardless of when chair was built.					

Crossbraces and Seat Extensions

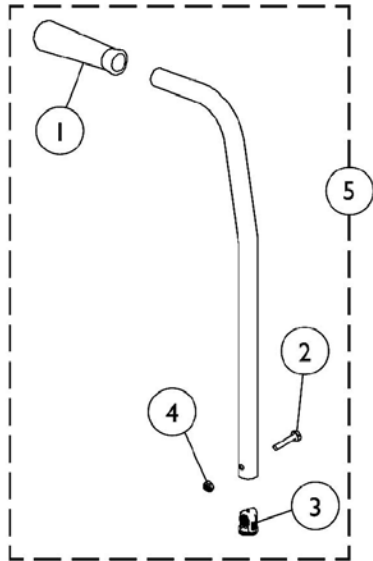


Crossbraces and Seat Extensions

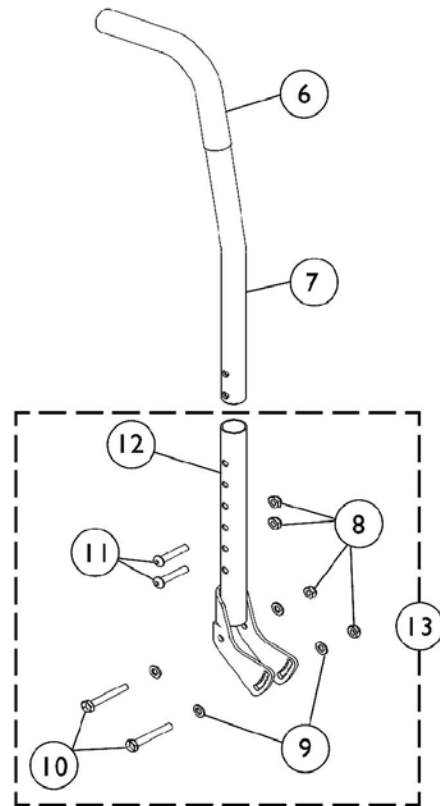
Item Number	Note	Part Number	Description	Quantity Per	
				Package	Assembly
1	C	1064409	X-Brace Assembly	1	2
1	D	1064410	X-Brace Assembly	1	2
1	E	1064411	X-Brace Assembly	1	2
1	F	1064412	X-Brace Assembly	1	2
2		1028835	Cap, Hub (Black)	1	4
3		60264X001	Locknut (5/16-24)	1	2
4		1028491	Washer, Caplugs (11/32" I.D. x 1" O.D.)	1	4
5		1056708	Plug, Pivot Tube	1	4
6		1038179	Screw, Hex Head (5/16-24 x 4-1/4")	1	2
	A,B	1057830	Hardware, Crossbrace Pivot Tube	1	1
7		1055348	Screw, Hex Head (1/4-28 x 1-3/4")	1	2
8		1029501	Plug Button, Black (1")	1	4
9		1065362	Locknut (1/4-28)	1	4
10		1057828	Strap, Pivot Link	1	2
11	C	1057384	Pivot Link, 14-15" Wide - Adult	1	2
11	G	1057385	Pivot Link, 16-18" Wide - Adult	1	2
11	F	1057386	Pivot Link, 19- 20" Wide - Adult	1	2
12		1030949	Screw, Hex Head (1/4-20 x 1-1/2")	1	2
13		7930333	Locknut (1/4-20)	25	2
14		1098625	Screw, Hex Head (5/16-24 x 3-1/2")	1	1
15		16308X000	Washer, Flat (5/16 x 11/16 x 1/16")	1	2
16		1037913	Bushing (5/16 x 7/16 x 9/32")	1	1
17		1016263	Spacer, Coved (3/4 x 1 x 1/2")	1	4
18		7930313	Washer, Nylon (5/16 x 7/8 x 1/8")	25	1
19		1025704	Washer, Flat (5/16 x 5/8 x 1/16")	1	1
20		7930330	Locknut (5/16-24)	25	1
21		1057832	Hardware, Crossbrace	1	1
22		1058616	Seat Extension Kit - 1" (Pair)	2	1
22		1058617	Seat Extension Kit - 2" (Pair)	2	1
23		1076284	Screw w/ washer (#10 x 7/8")	1	2
23		1026298	Screws with Washers (#10 x 7/8")	2	1
NOTE: A - Not Shown. B - Includes items 2-6. C - 14" Wide D - 16" Wide E - 18" Wide F - 20" Wide G - 16-18" Wide					

Back Canes and Hardware

Adjustable Height and Adjustable Angle



Adjustable Height Back Cane
R32 and R32LX



Adjustable Angle Back
standard on models
R50LX/R51/R51LX/R51LXP

Back Canes and Hardware Adjustable Height and Adjustable Angle

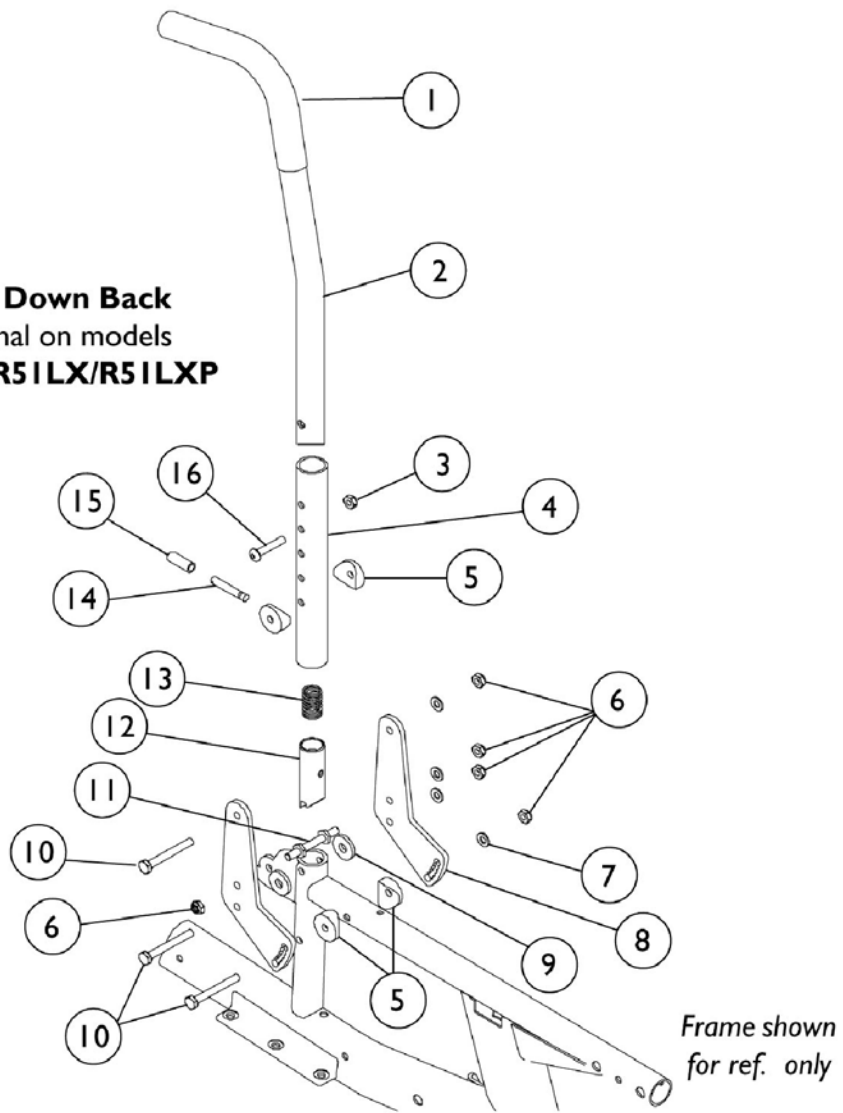
Item Number	Note	Part Number	Description	Quantity Per	
				Package	Assembly
1		1057248	Grip, Foam (4-3/4")	1	1
2		1070759	Screw, Hex Head (1/4-20 x 1-1/2")	1	1
3		1056551	Insert	1	1
4		7930307	Locknut (1/4-20")	25	3
5	A	1107655	Back Cane with Grip and Hardware	1	1
6		1006229	Grip, Foam (8")	1	1
7		1028372	Back Cane Assembly - 10 Degree Bend	1	1
8		7930323	Package, Locknut (1/4-20)	25	4
9		1026907	Washer (1/4 x 1/2 x 1/16")	1	4
10		1024793	Screw, Hex Head (1/4-20 x 1-3/4")	1	2
11		1008432	Screw, Socket Button Head (1/4-20 x 1-1/4")	1	2
12		1108621	Bracket w/ Adjustable Back Tube, Black	1	1
13	B	1107668	Adjustable Angle Back Hardware (1 pair)	2	1

NOTE: A - 16-18" Back Height
B - Includes Items 8-12.

Back Canes and Hardware

Fold Down Adjustable Height Angle Back

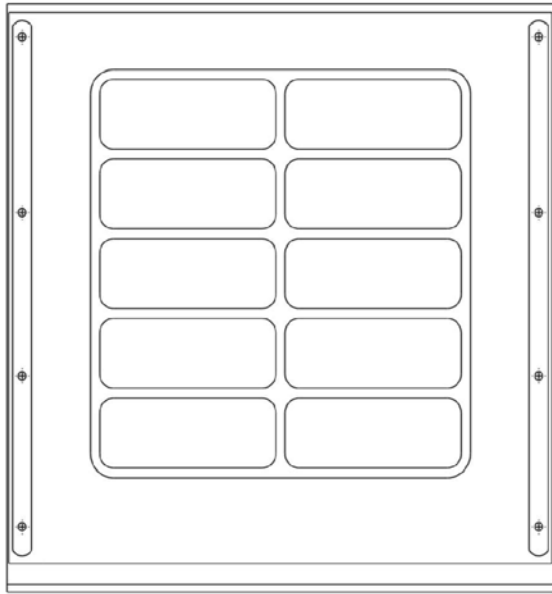
Fold Down Back
optional on models
R50LX/R51LX/R51LXP



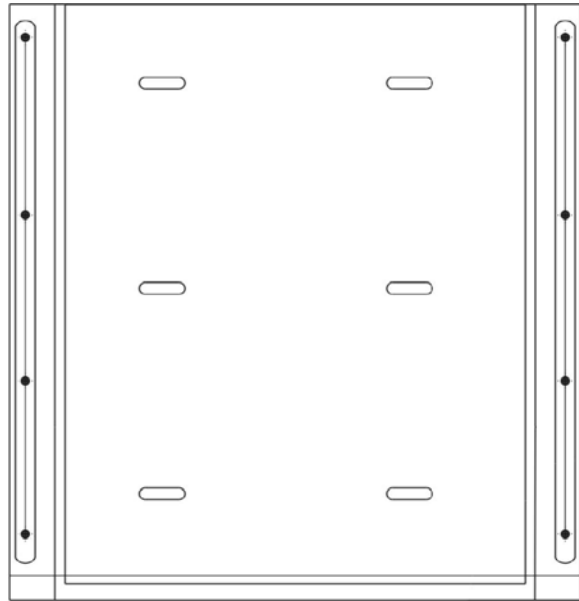
Back Canes and Hardware Fold Down Adjustable Height Angle Back

Item Number	Note	Part Number	Description	Quantity Per	
				Package	Assembly
1		1006229	Grip, Foam (8")	1	1
2		1027848	Back Cane with Grip and Attaching Hardware	1	1
3		7930323	Package, Locknut (1/4-20)	25	1
4		1058832	Tube, Backrest	1	1
5		40157X020	Spacer, Coved (1/4 x 1 x 9/16")	1	4
6		7930334	Locknut (1/4-28)	25	5
7		1026907	Washer (1/4 x 1/2 x 1/16")	1	4
8		1108626	Bracket, Pivot, Black	1	2
9		7930313	Washer, Nylon (5/16 x 7/8 x 1/8")	25	2
10		1055349	Screw, Hex Head (1/4-28 x 2")	1	3
11		1059127	Pin, Locking	1	1
12		1058232	Plug, Latch	1	1
13		1011511	Spring, Compression (1")	1	1
14		1058545	Lever, Actuator	1	1
15		1059271	Tip, Plastic, Black	1	1
16		1008432	Screw, Socket Button Head (1/4-20 x 1-1/4")	1	1
	A,B	1107667	Fold Down Back Hardware	2	1
NOTE: A - Includes Items 3-16 B - Not Shown					

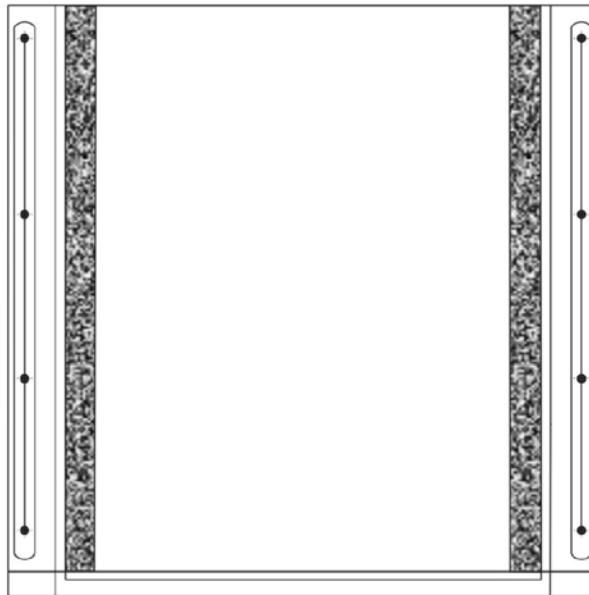
Seat Upholstery



R32 AND R51 (Before 11/15/02)
Seat Upholstery - Vinyl



R32 and R51 (After 11/14/02)
Seat Upholstery - Nylon



R32LX/R50LX/R51LX/R51LXP
Seat Upholstery - Nylon

Seat Upholstery

Lightweight Vinyl Seat Upholstery

R32 and R51 (Before 11/15/02)

Chair Width	16" Depth	17" Depth	18" Depth
14"	8881018200	8881052296	8881052301
16"	8881016920	8881020690	8881023360
18"	8881016918	8881020691	8881023359
20"	8881019577	8881052300	8881052307

Note: When ordering, please specify U05 Black for Lightweight/Vinyl and U240 Black for Nylon Upholstery.

Nylon Seat Upholstery

R32 and R51 (After 11/14/02)

Chair Width	16" Depth	17" Depth	18" Depth
14"	8881057199	8881057206	8881057213
16"	8881057241	8881057208	8881057215
18"	8881057242	8881057210	8881057217
20"	8881057204	8881057211	8881057218

Note: When ordering, please specify U05 Black for Lightweight/Vinyl and U240 Black for Nylon Upholstery.

Seat Upholstery

Nylon Seat Upholstery

R32LX/R50LX/R51LX/R51LXP

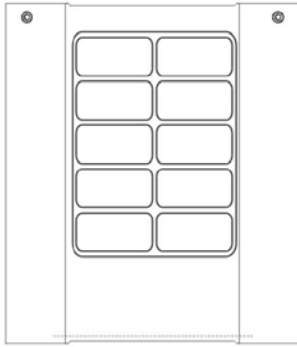
Chair Width	16" Depth	17" Depth	18" Depth
14"	1016315	1016316	1016317
16"	1016321	1016322	1016323
18"	1016327	1016328	1016329
20"	1017643	1017646	1017649

Note: When ordering, please specify U05 Black for Lightweight/Vinyl and U240 Black for Nylon Upholstery.

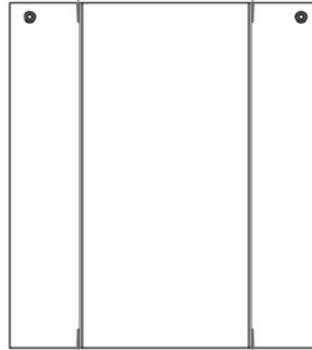
Hardware for Seat Upholstery

Part Number	Description	16" Depth Quantity Required	17"-18" Depth Quantity Required
1076284	Single Pack Screw with Washer (#10 x 7/8")	8	10
1057950	Multi Pack Screws with Washers (#10 x 7/8")	1 Pkg of 8	N/A
1050393-NLA	Multi Pack Screws with Washers (#10 x 7/8")	N/A	1 Pkg of 10

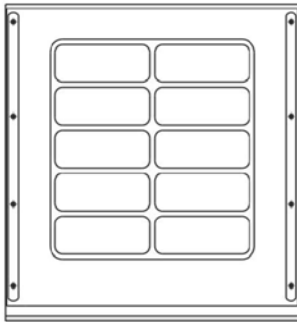
Back Upholstery



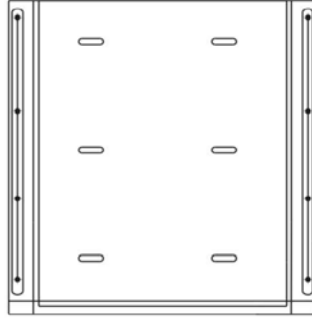
R51 (Before 11/15/02)
Back Upholstery
Wrap Around - Vinyl



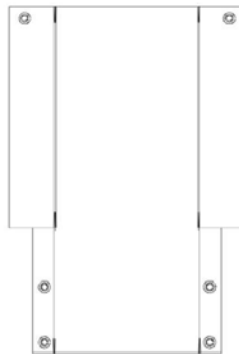
R51 (After 11/14/02)
Back Upholstery
Wrap Around - Nylon



R32 (Before 11/15/02)
Back Upholstery
Screw On - Vinyl



R32 (After 11/14/02)
Back Upholstery
Screw On - Nylon



R32LX/R50LX/R51LX/R51LXP
Back Upholstery
Wrap Around - Nylon

Back Upholstery

Lightweight Vinyl Back Upholstery (Wrap Around)

R51 (Before 11/15/02)

Back Height	14" Chair Width	16" Chair Width	18" Chair Width	20" Chair Width
16"-19"	8881018199	8881017217	8881017216	8881019574

When ordering, please specify U05 Black for Lightweight Vinyl and U240 Black for Nylon Upholstery.

Back Upholstery, Black Nylon (Wrap Around)

R51 (After 11/14/02)

Back Height	14" Chair Width	16" Chair Width	18" Chair Width	20" Chair Width
16"-20"	1031770	1031772	1031774	1052144

Lightweight Vinyl Back Upholstery (Screw-On)

R32 (Before 11/15/02)

Back Height	14" Chair Width	16" Chair Width	18" Chair Width	20" Chair Width
16"-19"	8881018222	8881017856	8881016582	8881107693

When ordering, please specify U05 Black for Lightweight vinyl and U240 Black for Nylon Upholstery.

Nylon Back Upholstery (Screw-On)

R32 (After 11/14/02)

Back Height	14" Chair Width	16" Chair Width	18" Chair Width	20" Chair Width
16"-19"	1116773	8881057252	8881057257	1116774

When ordering, please specify U05 Black for Lightweight vinyl and U240 Black for Nylon Upholstery.

Back Upholstery, Black Nylon (Wrap Around)

R32LX/R50LX/R51LX/R51LXP

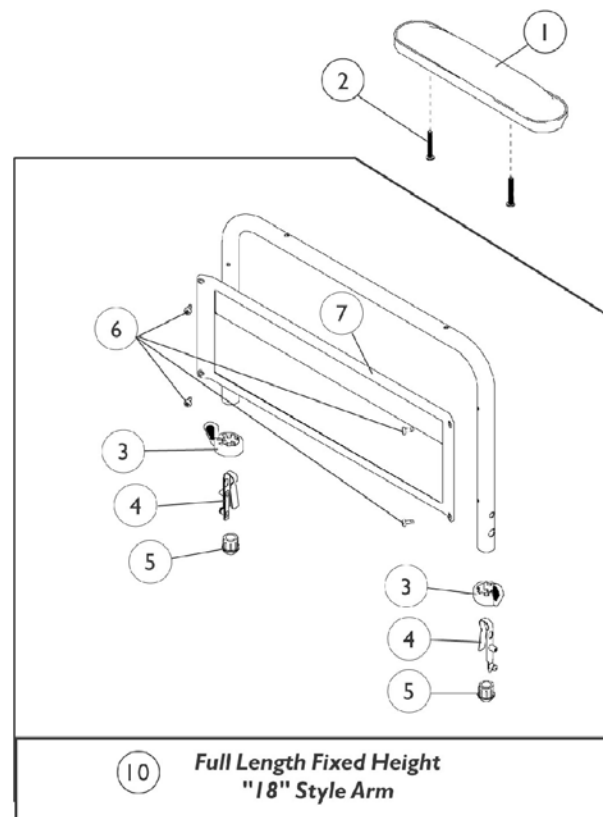
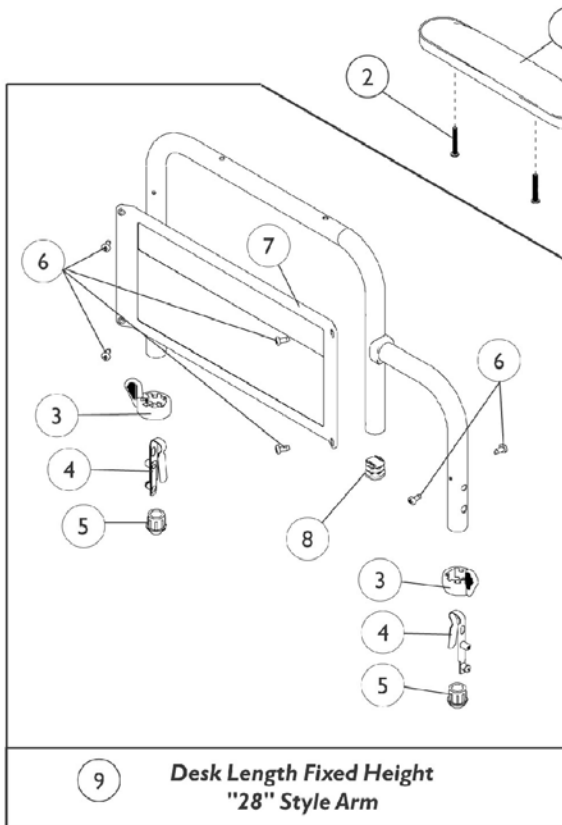
Back Height	14" Chair Width	16" Chair Width	18" Chair Width	20" Chair Width
16"-20"	1060611	1060612	1060613	1060614

Back Upholstery

Hardware for Back Upholstery

Part Number	Description	All Models, Except R32 Quantity Required	R32
1029850	Screws with Washers and Cable Ties (#10 x 7/8")	1 Pkg of 2	N/A
1057950	Screws with Washers (#10 x 7/8")	N/A	1 Pkg of 8

Fixed Height Arms

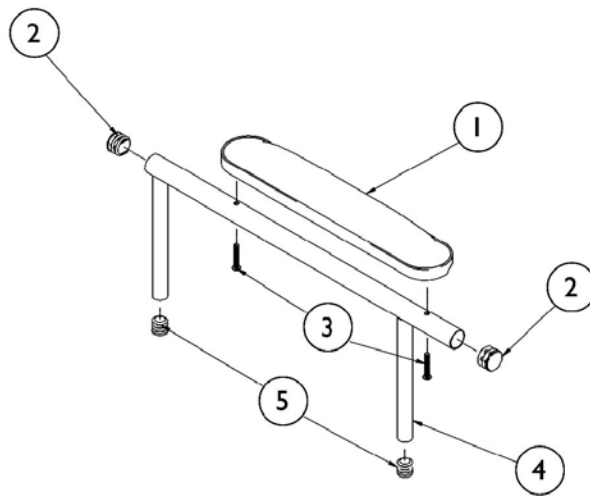


Fixed Height Arms

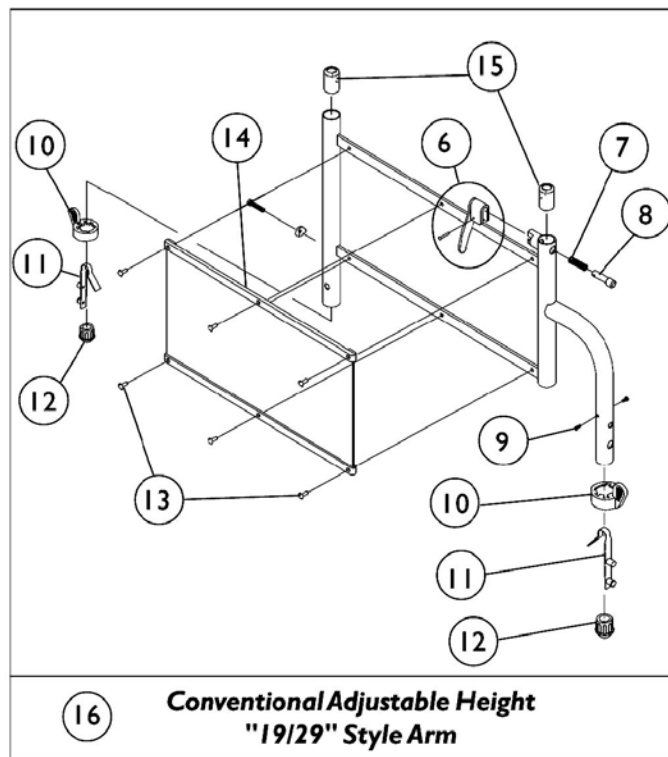
Item Number	Note	Part Number	Description	Quantity Per	
				Package	Assembly
1	B,C	8881053578	Arm Pads, Vinyl, Desk Length with Screws (9" L x 2" W)	2	1
1	B,C	8881053577	Arm Pads, Vinyl, Full Length with Screws (14" L x 2" W)	2	1
1	D	1110817	Arm Pads, Desk Length, Urethane Waterfall with Screws, Black (9" L x 2-5/8" W) (Pair)	2	1
1	D	1110818	Arm Pads, Full Length, Urethane Waterfall with Screws, Black (13" L x 2-5/8" W) (Pair)	2	1
1	B,C	8881011811	Arm Pad, Vinyl, Desk Length (9" L x 2" W)	1	1
1	B,C	8881015932	Arm Pad, Vinyl, Full Length (14" L x 2" W) - Right	1	1
1	B,C	8881015933	Arm Pad, Vinyl, Full Length (14" L x 2" W) - Left	1	1
1	A,D,G	1117327	Arm Pad, Desk Length, Urethane Waterfall with Screws, Black (9" L x 2-5/8" W)	1	1
1	A,D,G	1117328	Arm Pad, Full Length, Urethane Waterfall with Screws, Black (13" L x 2-5/8" W)	1	1
2		1034083	Package, Screws Phillips Round Head (#10-32 x 1-1/8")	2	1
2	E	1094270	Screw, Phillips Pan Head (#10-32 x 1-1/4") (Pair)	2	1
3		1015450	Handle, Quad Release	1	2
4		1018225	Spring, Torsion with Button Lock	1	2
5		1036484	Plug Button, Arm Tube, Black (3/4")	1	2
6	F	1116900	Screw, Self Tapping (#6-20 x 1/2")	1	4
7		1064132	Clothing Guard, Desk Length - Right/ Left	1	1
7		1064131	Clothing Guard, Full Length - Right/ Left	1	1
8		1027097	Plug Button, Black (3/4")	1	1
9		1108604	Arm Assembly, Desk Length Conventional - Right	1	1
9		1108605	Arm Assembly, Desk Length Conventional - Left	1	1
10		1108606	Full Length Arm w/o Arm Pad Right	1	1
10		1108607	Full Length Arm w/o Arm Pad Left	1	1

NOTE: A - As 1/3/02 upholstered waterfall armpads were replaced with black urethane waterfall armpads. Order in pairs with screws for chairs manufactured before 1/3/02.
 B - When ordering, please specify color U67 Black.
 C - R32/R51 Models
 D - LX/LXP Models
 E - For Black Urethane Waterfall Arm Pads Only.
 F - Desk Length takes quantity of 6
 G - After 7/9/07 Invacare recommends ordering armpads in pairs to assure uniform appearance on chair

Adjustable Height Arms



**Conventional Adjustable Height
"19/29" Style Arm**



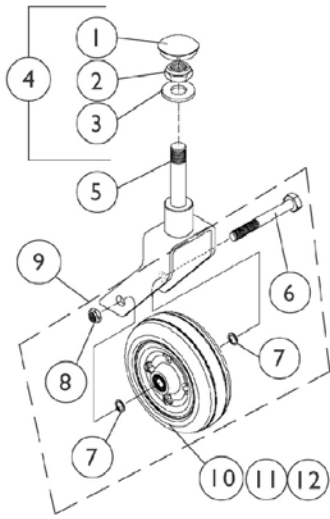
16 **Conventional Adjustable Height
"19/29" Style Arm**

Adjustable Height Arms

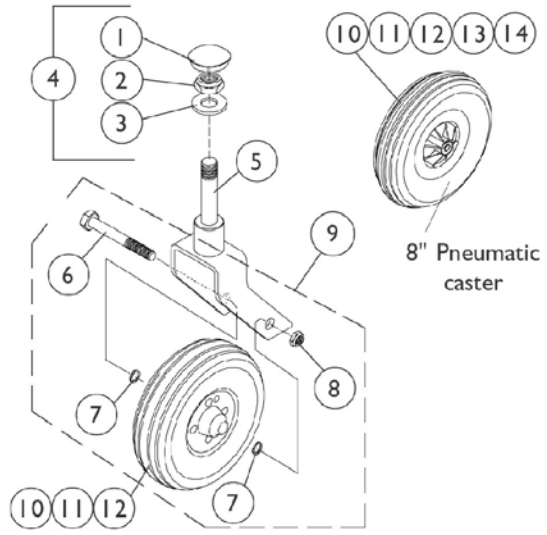
Item Number	Note	Part Number	Description	Quantity Per	
				Package	Assembly
1	B,C	8881053578	Arm Pads, Vinyl, Desk Length with Screws (9" L x 2" W)	2	1
1	B,C	8881053577	Arm Pads, Vinyl, Full Length with Screws (14" L x 2" W)	2	1
1	D	1110817	Arm Pads, Desk Length, Urethane Waterfall with Screws, Black (9" L x 2-5/8" W) (Pair)	2	1
1	D	1110818	Arm Pads, Full Length, Urethane Waterfall with Screws, Black (13" L x 2-5/8" W) (Pair)	2	1
1	B,C	8881011811	Arm Pad, Vinyl, Desk Length (9" L x 2" W)	1	1
1	B,C	8881015932	Arm Pad, Vinyl, Full Length (14" L x 2" W) - Right	1	1
1	B,C	8881015933	Arm Pad, Vinyl, Full Length (14" L x 2" W) - Left	1	1
1	A,D	1117327	Arm Pad, Desk Length, Urethane Waterfall with Screws, Black (9" L x 2-5/8" W)	1	1
1	A,D	1117328	Arm Pad, Full Length, Urethane Waterfall with Screws, Black (13" L x 2-5/8" W)	1	1
2		1027095	Plug Button, Black (7/8")	1	2
3		1111714	Package, Screws Phillips Pan Head (#10-32 x 1-1/8")	2	1
3	E	1094270	Screw, Phillips Pan Head (#10-32 x 1-1/4") (Pair)	2	1
4		1038470	Arm Tube Assembly w/o Pad w/ Plug Buttons, Conventional - Desk Length (Right/Left) (Black)	1	1
4		1038472	Arm Tube w/o Pad w/Plug Buttons, Full Length Right/Left (Black)	1	1
5		1035614	Plug Button, Black (5/8")	1	2
6		1090768	Kit, Lock Handle w/Rivets (both LT & RT side)	2	1
7		47471X074	Spring, Arm Lock	1	1
8		47471X068	Locking Pin	1	1
9		1025729	Screw, Self Tapping Pan Head (#8-32 x 3/8")	1	2
10		1015450	Handle, Quad Release	1	2
11		1018225	Spring, Torsion with Button Lock	1	2
12		1036484	Plug Button, Arm Tube, Black (3/4")	1	2
13		1028645	Rivet	1	6
14		1064129	Clothing Guard	1	1
15		1036150	Anti-Rattle	1	2
16		1057992	Arm Base Assembly, Removable - Right	1	1
16		1057993	Arm Base Assembly, Removable - Left	1	1

NOTE: A - As of 1/3/02 upholstered waterfall armpads were replaced with black urethane waterfall armpads. Order in pairs with screws for chairs manufactured before 1/3/02.
 B - When ordering please specify color U67 Black.
 C - R32/R51 Models
 D - LX/LXP Models
 E - For Black Urethane waterfall Arm Pads Only

Casters, Forks and Hardware



6" Caster Assembly



8" Caster Assembly

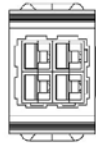
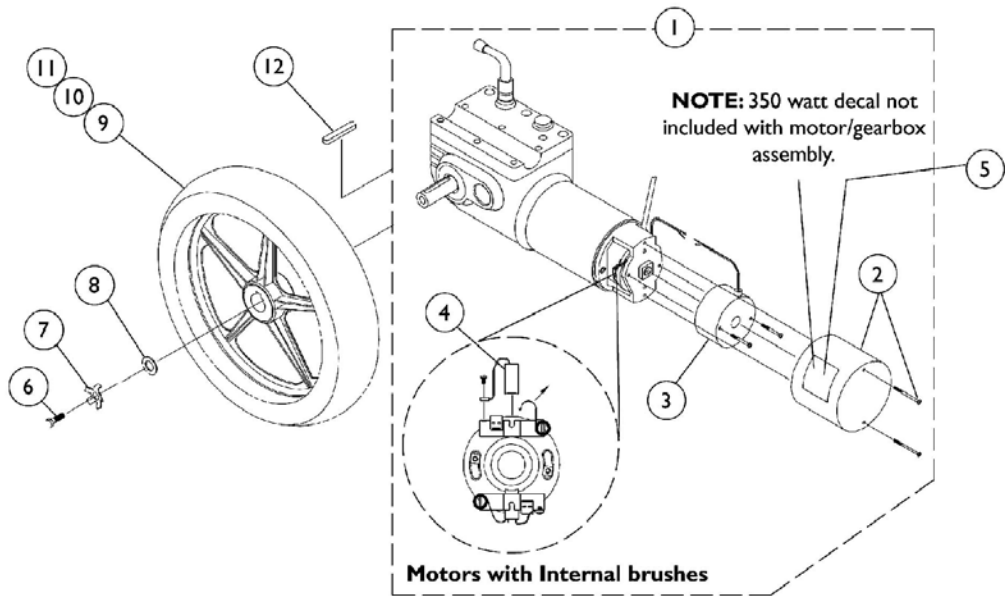
8" Pneumatic
caster

Casters, Forks and Hardware

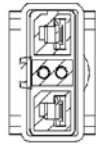
Item Number	Note	Part Number	Description	Quantity Per	
				Package	Assembly
1		1056739	Cap, Head Tube	1	1
2		1028550	Locknut (5/8-18)	1	1
3		1041444	Washer (5/8 x 1-5/16 x 1/8")	1	1
4	A	1057949	Fork Stem Hardware	1	1
5	E	8881071460	Fork and Stem - 6" Casters	2	1
5	E	1058556	Fork and Stem -8" Casters	1	2
5	F	1124830	Fork and Stem -8" Casters	1	2
6		1025726	Screw, Hex Head (7/16-20 x 3-1/4")	1	1
7		1025724	Washer (15/32 x 5/8 x 3/64")	1	2
8		1025734	Locknut (7/16-20)	1	1
9	B	1042489	Caster Axle Hardware (1 Pair)	2	1
10	C	1072014-NLA	Wheel with Bearings - Semi Pneumatic (6" x 2")	1	1
10	D	1115179	Wheel with Bearings, 6 x 2" Urethane Deep Profile	1	1
10	D	1122066	Wheels with Bearings, 6 x 2" Urethane Deep Profile	2	1
10		1070811	Wheel/Caster, Semi-Pneumatic with Bearings (8 x 1-3/4")	1	1
10		1002002	Wheel with Bearings - Pneumatic (8 x 2")	1	1
11		1006049	Bearing (7/16")	1	2
12		1020592	Spacer, Bearing (7/16 x 5/8 x 1-3/4")	1	1
13		40176X034	Tire, Pneumatic (8" x 2")	1	1
14		1034942	Tube, Pneumatic Inner (8" x 2")	1	1

NOTE: A - Includes items 1-3
 B - Includes items 6-8 (pair)
 C - Service part No Longer Available 8/15/03. Due to product improvement, order (pair) part number 1122066 dated after 8/14/03 so each side matches. The deep profile caster has 2 tread grooves w/ round corners instead of 4 tread grooves w/ square corners.
 D - For chairs made after 8/14/03
 E - 17-3/4" - 19-3/4" Seat to Floor chairs
 F - 21" Seat to Floor chairs

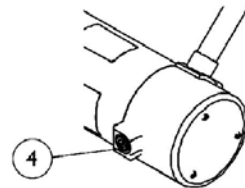
Drive Wheel, 2-Pole Motor and Gearbox



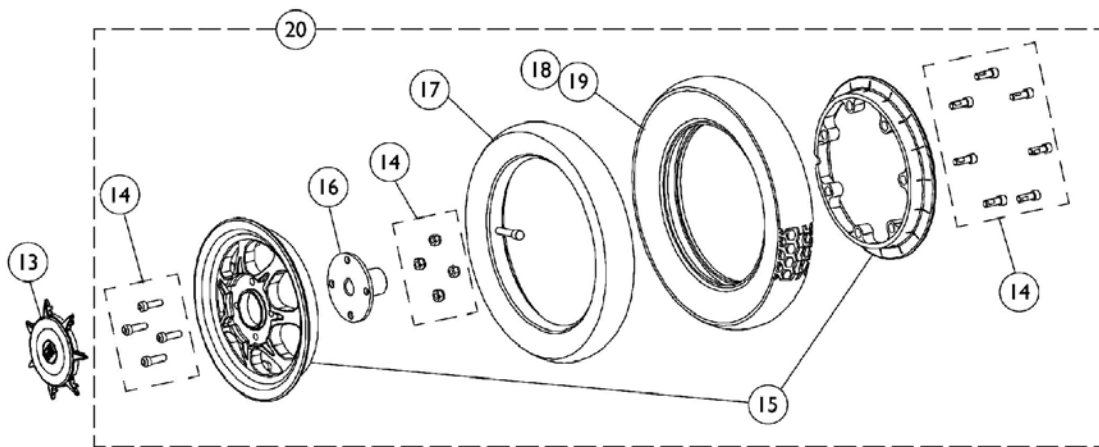
Motor Connector (Square)
Before 2/15/03 for MKIV Electronics



Motor Connector (Rectangular)
After 2/14/03 for MK5 Electronics



Motors with External brushes
(Introduced 2/24/06)



Drive Wheel, 2-Pole Motor and Gearbox

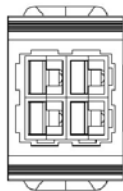
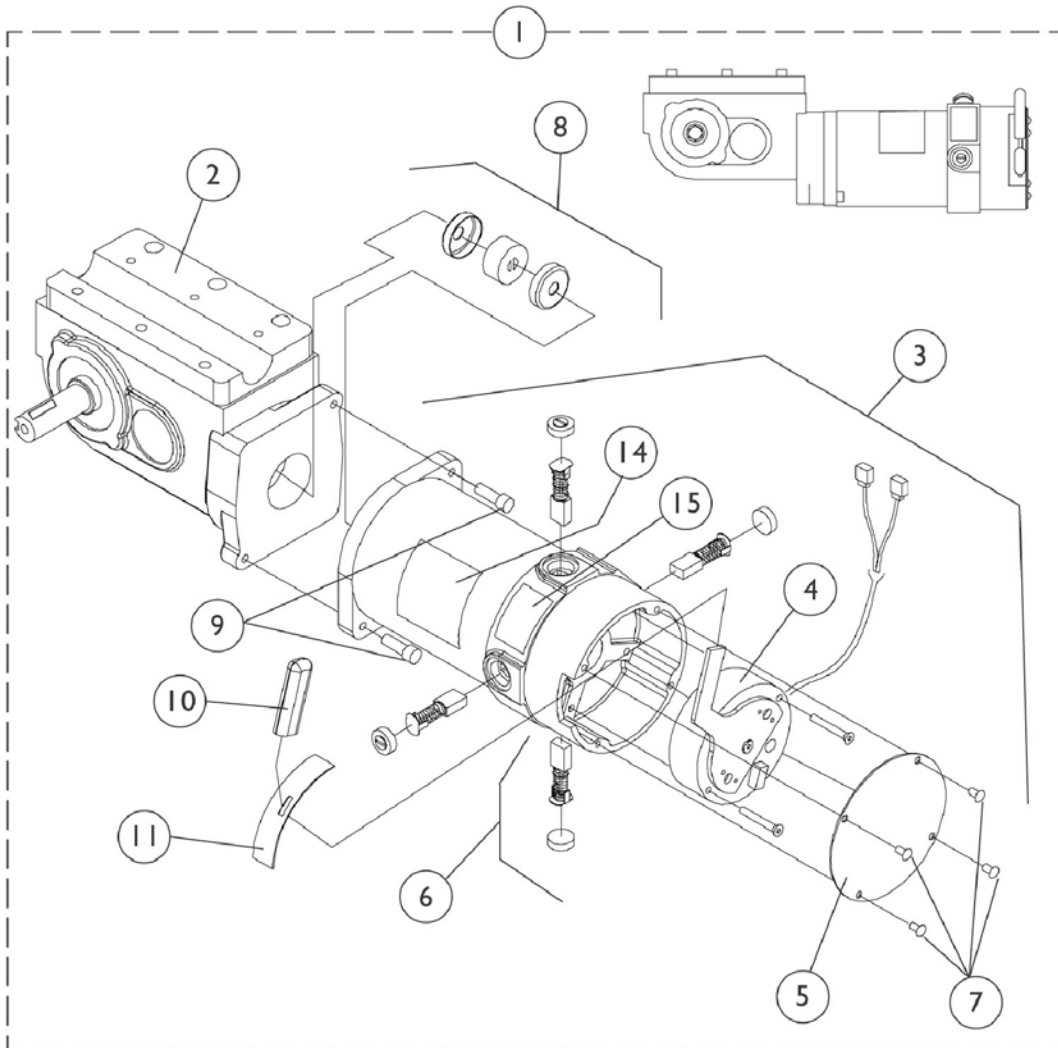
Item Number	Note	Part Number	Description	Quantity Per	
				Package	Assembly
1	A,B	1107665	Motor and Gearbox -Right	1	1
1	A,B	1107666	Motor and Gearbox -Left	1	1
1	A,C,M	1111707	Motor and Gearbox - Right	1	1
1	A,C,M	1111708	Motor and Gearbox - Left	1	1
1	A,L	1141282	Motor and Gearbox - Right	1	1
1	A,L	1141283	Motor and Gearbox - Left	1	1
2	A	1038361	Kit, Motor/Brake Covers with Screws	2	1
3		1055872	Brake, Spring Set with Screws	1	1
4	I	1123528	Kit, Motor Brush - Internal (Large)	2	1
4	J	1137265	Kit, Motor Brush w/ Cap - External	2	1
	K	1122164	Instruction Sheet, Motor Brush Kit	1	1
5		1107653	Decal 350 Watts (2 Pole Motors)	1	1
6		1023260	Screw (M8 x 1-1/4 x 20MM)	1	1
7		1064179	Kit, Locking Tab Washers with Instruction Sheet	2	1
8		1023262	Washer (11/32 x 13/16 x 1/8")	1	1
9	F	1064178	Wheel, Drive 5 Spoke, Pneumatic (12-1/2" x 2-1/4") Includes: Locking Tab Washer with Instruction Sheet	1	1
9	F	1064177	Wheel, Drive 5 Spoke with Foam Fill Insert (12-1/2" x 2-1/4") Includes: Locking Tab Washer with Instruction Sheet	1	1
10		1011524	Tire (12-1/2" x 2-1/4")	1	1
11		1011525	Tube (12-1/2" x 2-1/4")	1	1
12		1023264	Key (6 MM x 6MM x 40 MM)	1	1
13	H	1122835	Cap, Hub	1	1
14		1123137	Drive Wheel Hardware, Hub and 2-Piece Rim (12-1/2 x 2-1/4") Consists of: 4 ea. Screw, Socket Head Cap (5/16-24 x 1") 4 ea. Locknut (5/16-24) 7 ea. Screw, Socket Head Cap (1/4-20 x 1")	1	1
15		1123138	Rim Assembly, Inner/ Outer 12-1/2" x 2-1/4"	1	1
16		1122196	Hub, Wheel	1	1
17		1011525	Tube (12-1/2" x 2-1/4")	1	1
18		1011524	Tire (12-1/2" x 2-1/4")	1	1
19		1122837	Tire with Foam Fill Insert (12-1/2 x 2-1/4")	1	1
20	D,G	1122836	Drive Wheel, Pneumatic (12-1/2 x 2-1/4")	1	1
20	E,G	1122838	Drive Wheel with Foam Fill Insert (12-1/2 x 2-1/4")	1	1

Drive Wheel, 2-Pole Motor and Gearbox

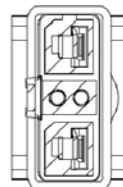
NOTE: A - Item 5 not included
B - Before 2/15/03 for MKIV controller only.
C - Chairs built from 2/14/03 thru 2/23/06 for MK5 controller only. Contains internal motor brushes.
D - Includes items 14-18
E - Includes items 14-16, & 19
F - These wheels are standard production on the Nutron
G - The split rim wheel is offered as an Off Chair option only, it is not offered On Chair. When split rim wheel is ordered, item 13 Hub Cap must be ordered as well.
H - Hub cap must be ordered when item 20 wheel is ordered.
I - For motors with internal brushes. Includes 2 ea. brushes and 1 ea. instruction sheet.
J - For motors with external brushes. Includes 2 ea. brushes, 2 ea. brush caps, and 1 ea. instruction sheet.
K - Not Shown
L - Chairs built After 2/23/06 for MK5 controller only. Due to alternate suppliers, replacement motors may contain either internal or external motor brushes.
M - Due to alternate suppliers, replacement motors may contain either a (black longer cap w/ internal brushes) or (silver metal cap w/ external brushes). Motors are interchangeable.

4-Pole Motor and Gearbox

Model R51LXP only



**Motor Connector
(Square)**
Before 2/15/03 for
MKIV Electronics



**Motor Connector
(Rectangular)**
After 2/14/03 for
MK5 Electronics

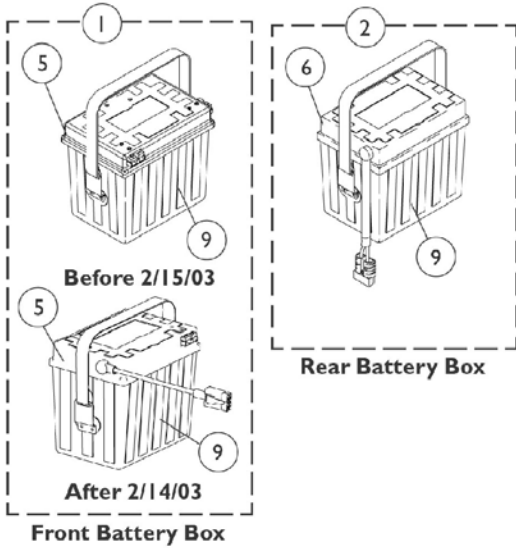
4-Pole Motor and Gearbox Model R51LXP only

Item Number	Note	Part Number	Description	Quantity Per	
				Package	Assembly
1	A,B	1109167	Motor and Gearbox RWD=R;MWD=L	1	1
1	A,B	1109168	Motor and Gearbox RWD=L;MWD=R	1	1
1	A,C,D, G	1124268	Motor and Gearbox RWD=R;MWD=L	1	1
1	A,C,D, G	1124269	Motor and Gearbox RWD=L;MWD=R	1	1
2	F	1086221	Gearbox RWD=R;MWD=L	1	1
2	F	1086222	Gearbox RWD=L;MWD=R	1	1
3	A,B	1109228	Motor Assembly RWD=R;MWD=L	1	1
3	A,B	1109229	Motor Assembly RWD=L;MWD=R	1	1
3	A,C	1114905	Motor Assembly RWD=R;MWD=L	1	1
3	A,C	1114906	Motor Assembly RWD=L;MWD=R	1	1
4		1070294	Brake Repair Kit, RWD=R;MWD=L	1	1
4		1070295	Brake Repair Kit, RWD=L;MWD=R	1	1
5		1104402-NLA	Brake Cover, Black with Screws per Phil Cunnigham (parts marketing) May 2008) NLA	1	1
6		1070296	Brushes with Caps, 4 Pole (Set of 4)	4	1
7	E	See Note	See Footnote	1	4
8		50000X007	Coupling w/ Cup (1-5/16" Diameter)	1	1
9	F	1043594	Screw, Socket Head (1/4-20 x 1-1/8")	1	2
9	F	1108978	Screw, Socket Head Cap (M6 x 1 x 20MM)	1	2
10		1101725	Cap, Brake	1	1
11		1082985	Plate, Slotted	1	1
12		1071505	Screw, Socket Head Cap with Patch (M6 x 20MM)	1	2
13		1071504	Screw, Socket Head Cap with Patch (M6 x 35MM)	1	3
14		1107654	Decal 650 Watts (4 Pole Motors)	1	1
15		1104797	Decal, Shroud Drive/Push	1	1

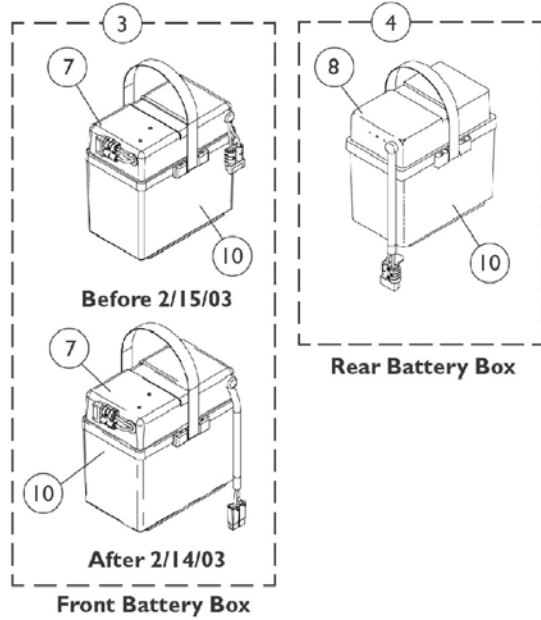
NOTE: A - Items 14 and 15 not included
 B - Before 2/15/03 for MKIV controller only
 C - After 2/14/03 for MK5 controller only
 D - Always verify with the Customer what model electronics are present. A special quote to have MKIV electronics ordered could be possible. See pictorial to help identify the motor connector plugs that are present.
 E - Refer to item 5
 F - When a new gearbox or mounting screws are ordered, (2 ea.) metric and (2 ea.) non-metric screws (item 9) must be ordered. Invacare Corp. utilizes alternate suppliers for this part number.
 G - As of May 2008, the Metal Motor End Cap will be replaced with a Composite Motor End Cap. The change does not affect form, fit, function or aesthetics.

Battery Boxes and Trays

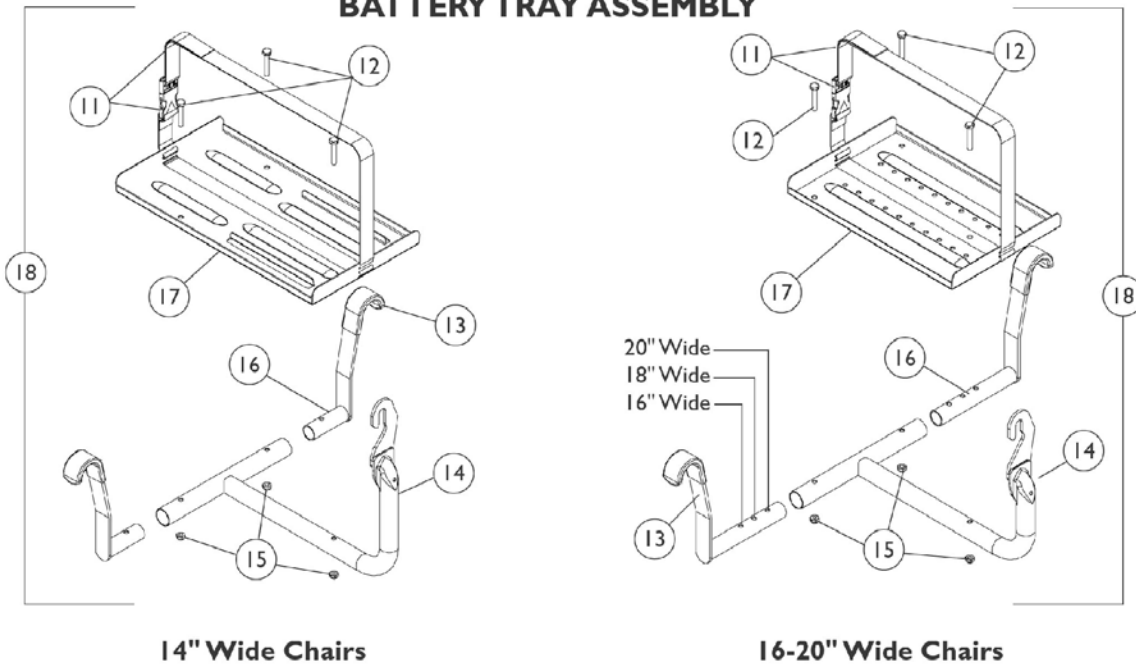
UI BATTERY BOXES



22NF BATTERY BOXES



BATTERY TRAY ASSEMBLY

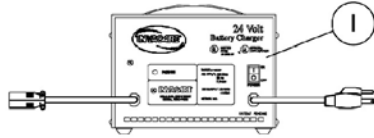


Battery Boxes and Trays

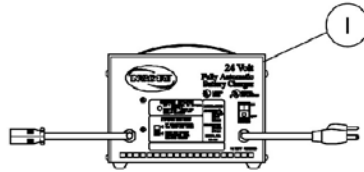
Item Number	Note	Part Number	Description	Quantity Per	
				Package	Assembly
1	H	1107689	Battery Box Assembly Front (UI)	1	1
1	I	1115916	Battery Box Assembly Front (U1)	1	1
2		1107692	Battery Box Assembly Rear (UI)	1	1
3	H	1107690	Battery Box Assembly Front (22NF)	1	1
3	I	1115917	Battery Box Assembly, Front (22NF)	1	1
4		1097007	Battery Box Assembly, Rear (22NF)	1	1
5	H	1107684	Battery Box Top Front (UI)	1	1
5	I	1115466	Battery Box Top, Front (U1)	1	1
6		1107687	Battery Box Top Rear (UI)	1	1
7	H	1107680	Battery Box Top Front (22NF)	1	1
7	I	1115248	Battery Box Top, Front (22NF)	1	1
8	G	1097003	Battery Box Top, Rear (22NF)	1	1
	C	1089385	Fuse, 80 Amp, MIDI (Non-G/B & G/B)	1	1
9	D	1009268	Battery Box Bottom Assembly	1	2
	C	1013319	Battery Strap	1	1
	C	1003177	Rivet	1	4
	C	16348X005	Washer (5/32 x 3/8 x 1/32")	1	4
10	E	1057944	Battery Box Bottom with Strap	1	2
	C	1057954	Battery Strap	1	1
	C	1041433	Pin, Handle	1	2
	A,C,F	1060318	Hardware, Battery Terminal, UI Batteries (Pair)	2	1
	B,C,G	1058618	Hardware, Battery Terminal, 22NF Batteries (1 Pair)	2	1
11		1107671	Buckle with Strap	1	1
12		1074642	Screw, Hex Head (1/4-20 x 1-3/8")	1	3
13		1107153	Cover, Hanger	1	2
14		1106305	Hanger Battery Tray Hemi	1	1
14		1106306	Hanger Battery Tray Adult	1	1
15		7930323	Package, Locknut (1/4-20)	25	3
16	F	1108616	Hanger Bracket Battery Tray	1	2
16	G	1106293	Hanger Bracket Battery Tray	1	2
17	F	1106310	Tray Battery (UI Batteries)	1	1
17	G	1106309	Tray Battery (22NF Batteries)	1	1
18	F	1107673	Battery Tray Assembly Hemi	1	1
18	F	1107674	Battery Tray Assembly Adult	1	1
18	G	1107675	Battery Tray Assembly Hemi	1	1
18	G	1107676	Battery Tray Assembly Adult	1	1

NOTE: A - Hardware includes small battery terminal caps (gray and orange) 1/4-20 x 7/8" hex flange screws, 1/4-20 hex flange nuts, cable ties, locking tab washers and instruction sheet for two batteries.
B - Hardware includes battery clamps, battery clamp caps (red and black), small battery terminal caps (red and black), 1/4-20 x 7/8" hex flange screws, 1/4-20 hex flange nuts, cable ties and locking tab washers two batteries.
C - Not Shown.
D - Includes: Battery Strap (1013319); Pop Rivet (5/32) (1003177); Washer (5/32 x 3/8 x 1/32) (16348X005)
E - Includes: Battery Strap (1057954); Handle Pin (1041433)
F - 14" Wide
G - 16-20" Wide
H - Before 2/15/03 for MKIV controller only
I - After 2/14/03 for MK5 controller only

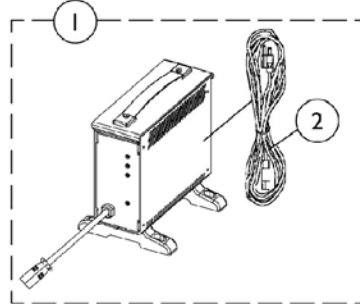
Battery Chargers



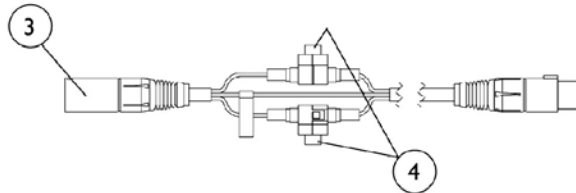
Lester 4 Amp. Battery Charger
R32 / R51



Lester 8 Amp. Battery Charger
R32LX / R50LX / R51LX / R51LXP



CTE Battery Charger
R32 / R51
and
R32LX / R50LX / R51LX / R51LXP



Battery Chargers

Item Number	Note	Part Number	Description	Quantity Per	
				Package	Assembly
1	C	1061411-NLA	Battery Charger, 4 Amp. 115vac (Off Board) Dual Mode Round Plug, Lester	1	1
1	D	1053161	Battery Charger, 8 Amp. 115vac (Off Board) Dual Mode Round Plug, Lester	1	1
1	E	1123249	Battery Charger, 8 Amp. 115vac (Off Board) Single Mode Round Plug w/ AC Power Line Cord, CTE Corp.	1	1
2		1089627	Cord, AC Power Line 115vac (2-prong off-board 11'6"L)	1	1
3		1083929	Cable, Charger Extension (24" Long Round Plug)	1	1
4	A	1098892	Fuse, 15 Amp. (Buss ATC-15)	1	1
4	B	1090117	Fuse, 15 Amp. (Buss Mini ATM-15)	1	2
<p>NOTE: A - Before 4/1/03 B - After 3/31/03 C - CTE 8 Amp. charger replaced the obsoleted Lester 4 Amp. charger as of 4/1/04 . D - Lester 8 Amp. charger was standard on R32LX / R50LX / R51LX /R51LXP models before 4/1/04 and optional after 3/31/04, when the CTE charger became standard. E - CTE charger introduced and standard on-chair 4/1/04 for all models. Used on Gel Cell or AGM (Absorbed Glass Mat) batteries. Serial number starts with 04A00000001. For wet cell batteries refer to the Lester 8 Amp. charger.</p>					

Front Riggings Reference Chart

Support Assemblies

Rigging Type	Black Right	Black Left	Chrome Right	Chrome Left
PW93	1108638	1108639	N/A	N/A
PW93ST	1108634	1108635	N/A	N/A
PW93E	1108630	1108631	N/A	N/A
P93M	1037695	1037696	N/A	N/A
PAS4A/PAL4A (14"-20"W)	N/A	N/A	1058482	1058483
P904A (14"-20"W)	1108644	1108645	N/A	N/A

Calf Pads and Attaching Hardware not included with Legrest. See Legrest Components.

Pivot/Slide Tubes with Footplates

PW93/PW93E

Footplate Type	Side	14" Wide	16" Wide	18" Wide	20" Wide
Aluminum (1650)	Right	1041542	1074149	1074149	1074149
	Left	1041543	1074150	1074150	1074150
Deluxe Alum. (1450)	Right	N/A	1074151	1074151	1074151
	Left	N/A	1074152	1074152	1074152
Extra Large (1350)	Right	1086790	1026395	1026395	1026395
	Left	1086791	1026396	1026396	1026396
Adjustable Angle (AT5543)	Right	1060444	1062756	1062756	1062756
	Left	1060445	1062757	1062757	1062757

Note: Pivot/Slide tube mounting hardware not included.

Front Riggings Reference Chart

PW93ST

Footplate Type	Side	14" Wide	16" Wide	18" Wide	20" Wide
Composite (1651)	Right	N/A	1057859	1057869	1057879
	Left	N/A	1057860	1057870	1057880

Note: Pivot/Slide tube mounting hardware not included.

P93M

Footplate Type	Side	14" Wide	16" Wide	18" Wide	20" Wide
Aluminum (1650)	Right	1058573	1057969	1057969	1057969
	Left	1058574	1057970	1057970	1057970
Deluxe Alum. (1450)	Right	N/A	1028892	1028892	1028892
	Left	N/A	1028893	1028893	1028893
Extra Large (1350)	Right	1031928	1031924	1031924	1031924
	Left	1031929	1031925	1031925	1031925

Note: Pivot/Slide tube mounting hardware not included.

PAS4A (14")

Footplate Type	Side	14" Wide	16" Wide	18" Wide	20" Wide
Aluminum (1650)	Right	1023905	N/A	N/A	N/A
	Left	1023906	N/A	N/A	N/A
Extra Large (1350)	Right	1035454	N/A	N/A	N/A
	Left	1035455	N/A	N/A	N/A

Note: Pivot/Slide tube mounting hardware not included.

Front Riggings Reference Chart

PAL4A (16-20")

Footplate Type	Side	14" Wide	16" Wide	18" Wide	20" Wide
Aluminum (1650)	Right	N/A	1023907	1023907	1023907
	Left	N/A	1023908	1023908	1023908
Extra Large (1350)	Right	N/A	1035456	1035456	1035456
	Left	N/A	1035457	1035457	1035457

Note: Pivot/Slide tube mounting hardware not included.

P904A (14")

Footplate Type	Side	14" Wide	16" Wide	18" Wide	20" Wide
Aluminum (1650)	Right	1058612	N/A	N/A	N/A
	Left	1058613	N/A	N/A	N/A
Extra Large (1350)	Right	1058828	N/A	N/A	N/A
	Left	1058829	N/A	N/A	N/A

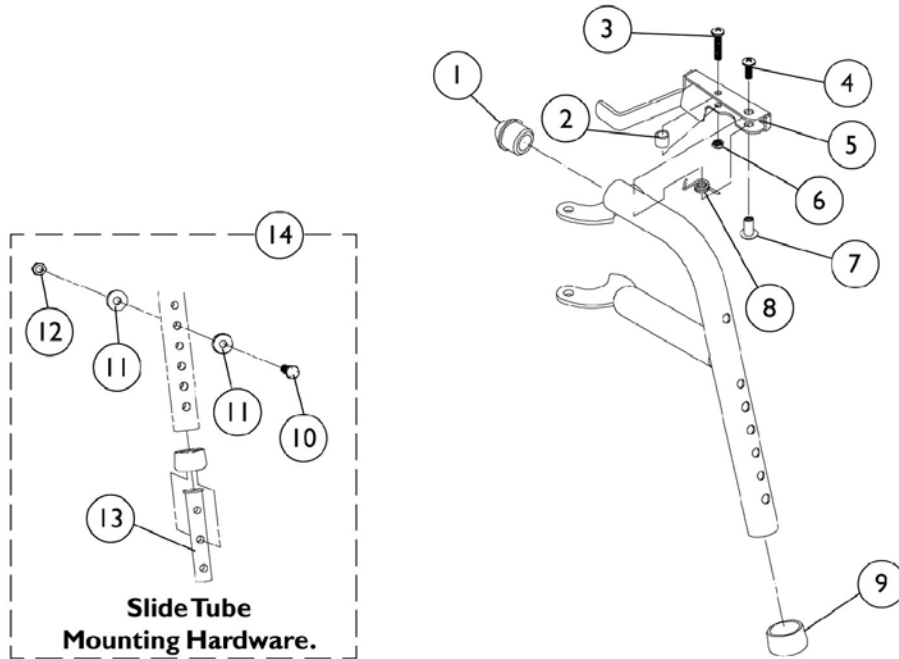
Note: Pivot/Slide tube mounting hardware not included.

P904A (16 - 20")

Footplate Type	Side	14" Wide	16" Wide	18" Wide	20" Wide
Aluminum (1650)	Right	N/A	1058604	1058604	1058604
	Left	N/A	1058605	1058605	1058605
Deluxe Alum. (1450)	Right	N/A	1028723	1028723	1028723
	Left	N/A	1028724	1028724	1028724
Extra Large (1350)	Right	N/A	1058830	1058830	1058830
	Left	N/A	1058831	1058831	1058831

Note: Pivot/Slide tube mounting hardware not included.

PW93 Footrest Supports Black

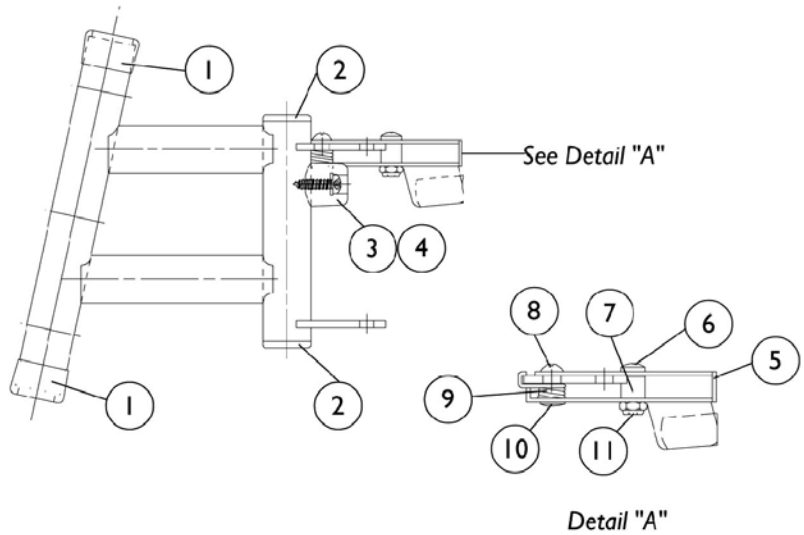
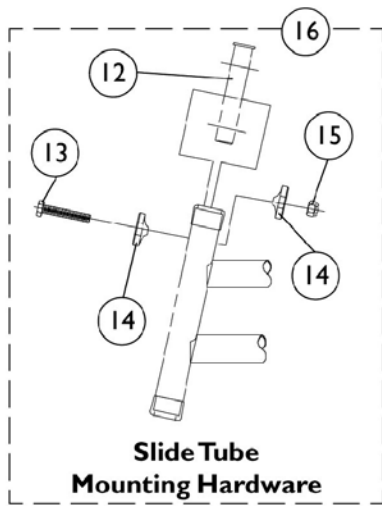


Item Number	Note	Part Number	Description	Quantity Per	
				Package	Assembly
1		1020719	Anti-Rattle, Black	1	1
2		47565X057	Bushing (7/32 x 3/8 x 11/32")	1	1
3		7930328	Screw, Phillips Pan Head (#10-32 x 11/16")	25	1
4		7930335	Screw, Phillips Pan Head (#10-32 x 1/2")	25	1
5		1035539	Handle, Release (Black) - Right	1	1
5		1035540	Handle, Release (Black) - Left	1	1
6		7930332	Locknut, High Profile (#10-32)	25	1
7		1028846	Rivnut (#10-32)	1	1
8		1028707	Spring, Release - Right	1	1
8		1028708	Spring, Release - Left	1	1
9		15680X012	Collar, Anti-Rattle (7/8")	1	1
10		1070759	Screw, Hex Head (1/4-20 x 1-1/2")	1	1
11		1026099	Spacer, Coved (1/4 x 11/16 x 1/2")	1	2
12		7930338	Nut, Acorn (1/4-20)	25	1
13		1020534	Insert, Threaded	1	1
14		1074143	Kit, Slide Tube Mounting Hardware	1	1
	A	1108638	Footrest Support Assembly, Adult, Black - Right	1	1
	A	1108639	Footrest Support Assembly, Adult, Black - Left	1	1

NOTE: A - Not Shown

PW93E Footrest Supports

Black

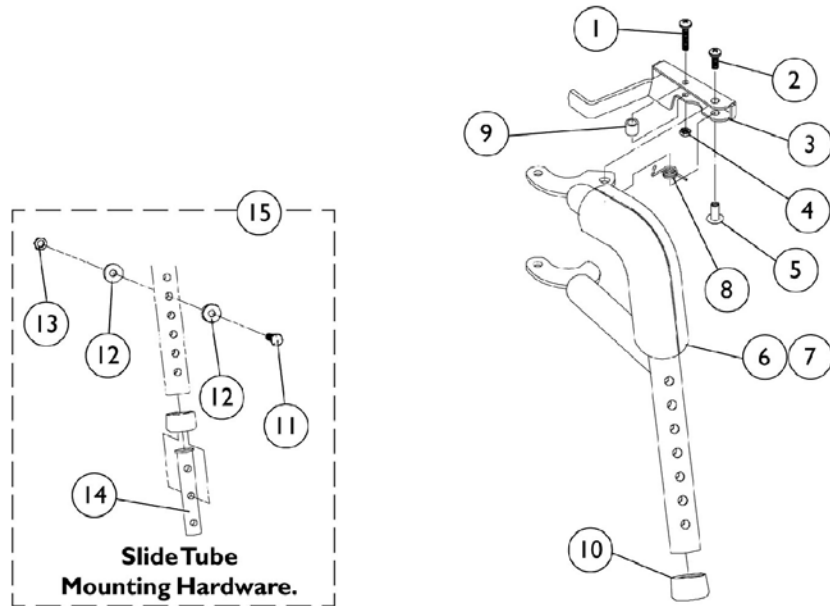


Item Number	Note	Part Number	Description	Quantity Per	
				Package	Assembly
1		15680X012	Collar, Anti-Rattle (7/8")	1	2
2		1027095	Plug Button, Black (7/8")	1	2
3		1022874	Bumper	1	1
4		1030979	Screw, Phillips Pan Head Tap (#10-32 x 3/4")	1	1
5		1035539	Handle, Release (Black) - Right	1	1
5		1035540	Handle, Release (Black) - Left	1	1
6		7930328	Screw, Phillips Pan Head (#10-32 x 11/16")	25	1
7		47565X057	Bushing (7/32 x 3/8 x 11/32")	1	1
8		7930335	Screw, Phillips Pan Head (#10-32 x 1/2")	25	1
9		1028707	Spring, Release - Right	1	1
9		1028708	Spring, Release - Left	1	1
10		1028846	Rivnut (#10-32)	1	1
11		7930332	Locknut, High Profile (#10-32)	25	1
12		1020534	Insert, Threaded	1	1
13		1070759	Screw, Hex Head (1/4-20 x 1-1/2")	1	1
14		1026099	Spacer, Coved (1/4 x 11/16 x 1/2")	1	2
15		7930338	Nut, Acorn (1/4-20)	25	1
16		1074143	Kit, Slide Tube Mounting Hardware	1	1
	A	1108630	Footrest Support Assembly, Adult, Black - Right	1	1
	A	1108631	Footrest Support Assembly, Adult, Black - Left	1	1

NOTE: A - Not Shown

PW93ST Footrest Supports

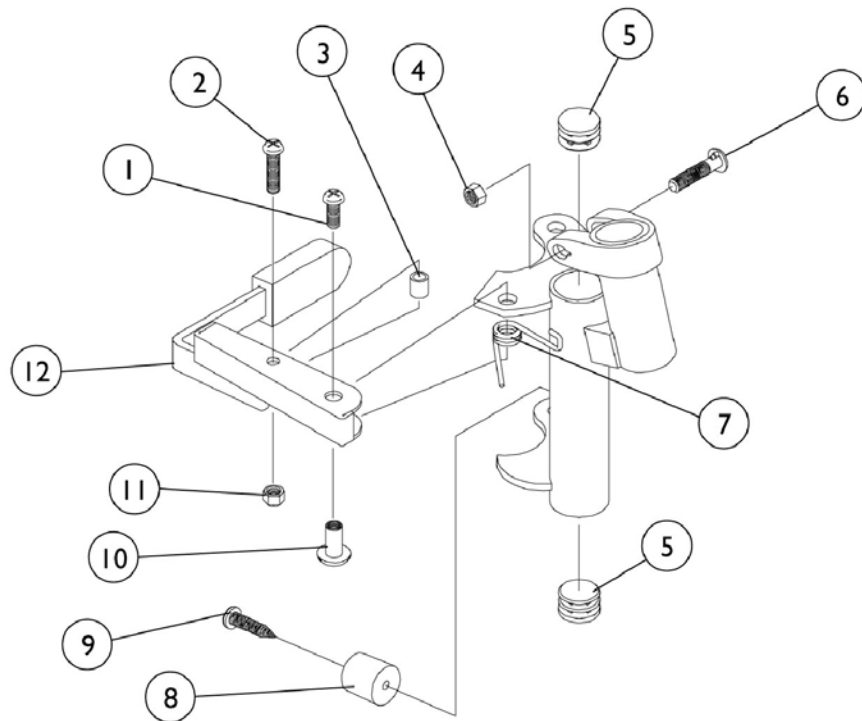
Black



Item Number	Note	Part Number	Description	Quantity Per	
				Package	Assembly
1		7930328	Screw, Phillips Pan Head (#10-32 x 11/16")	25	1
2		7930335	Screw, Phillips Pan Head (#10-32 x 1/2")	25	1
3		1035539	Handle, Release (Black) - Right	1	1
3		1035540	Handle, Release (Black) - Left	1	1
4		7930332	Locknut, High Profile (#10-32)	25	1
5		1028846	Rivnut (#10-32)	1	1
6		1030434	Cushion, Tubular Foam	1	1
7		1030435	Cover, Foam Cushion	1	1
8		1028707	Spring, Release - Right	1	1
8		1028708	Spring, Release - Left	1	1
9		47565X057	Bushing (7/32 x 3/8 x 11/32")	1	1
10		15680X012	Collar, Anti-Rattle (7/8")	1	1
11		1070759	Screw, Hex Head (1/4-20 x 1-1/2")	1	1
12		1026099	Spacer, Coved (1/4 x 11/16 x 1/2")	1	2
13		1044214	Nut, Hex with Nylon Cap (1/4-20)	1	1
14		1020534	Insert, Threaded	1	1
15		1074143	Kit, Slide Tube Mounting Hardware	1	1
	A	1108634	Footrest Support Assembly, Adult, Black - Right	1	1
	A	1108635	Footrest Support Assembly, Adult, Black - Left	1	1

NOTE: A - Not Shown

P93M Footrest Supports Black

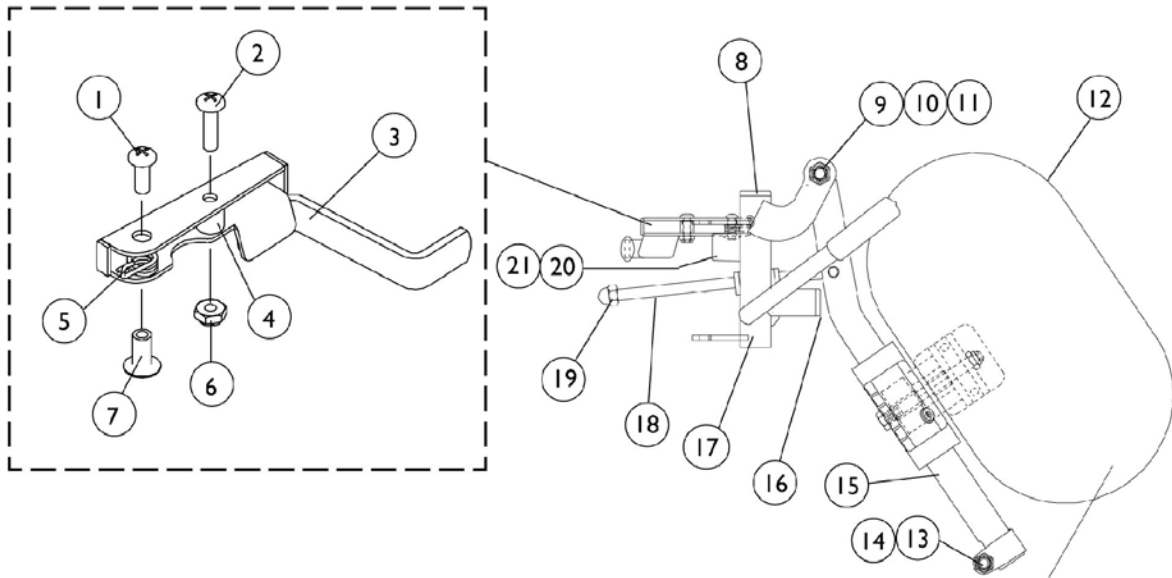


Item Number	Note	Part Number	Description	Quantity Per	
				Package	Assembly
1		7930359	Screw, Phillips Pan Head (#10-32 x 1/2")	25	1
2		7930360	Screw, Phillips Pan Head (#10-32 x 11/16")	25	1
3		47565X057	Bushing (7/32 x 3/8 x 11/32")	1	1
4		1107321	Nut, Low Cap (5/16"-24)	1	1
5		1027095	Plug Button, Black (7/8")	1	2
6		11232X009	Screw, Lug (5/16-24 x 1-3/8")	1	1
7		1008935	Spring, Release - Right	1	1
7		1008936	Spring, Release - Left	1	1
8		1022874	Bumper	1	1
9		1030979	Screw, Phillips Pan Head Tap (#10-32 x 3/4")	1	1
10		67005X000	Rivnut (#10-32)	1	1
11		7930365	Locknut (#10-32)	25	1
12		1035539	Handle, Release (Black) - Right	1	1
12		1035540	Handle, Release (Black) - Left	1	1
	A	1037695	Footrest Support Assembly, Adult, Black - Right	1	1
	A	1037696	Footrest Support Assembly, Adult, Black - Left	1	1

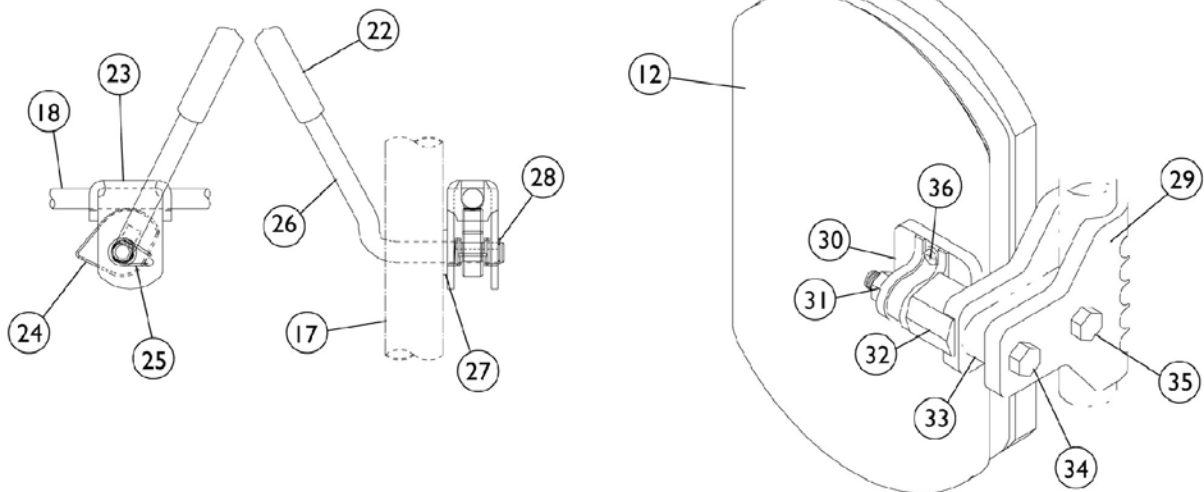
NOTE: A - Not Shown

P904A Legrest Supports

Black 14-20" Wide



NOTE: Legrest pad and attaching hardware not included with support assembly.



P904A Legrest Supports Black 14-20" Wide

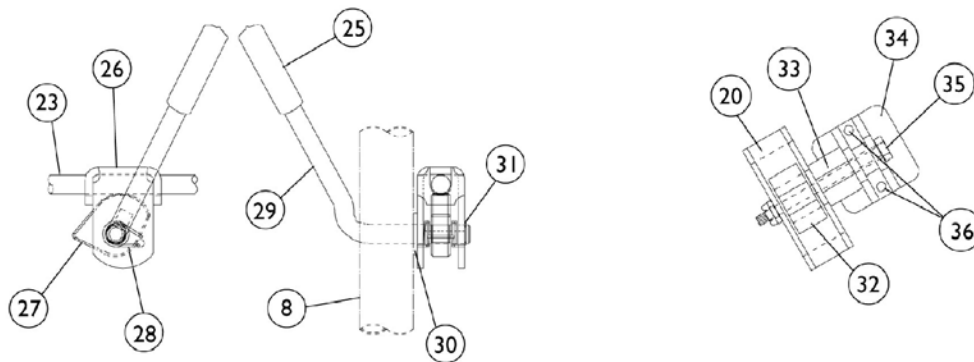
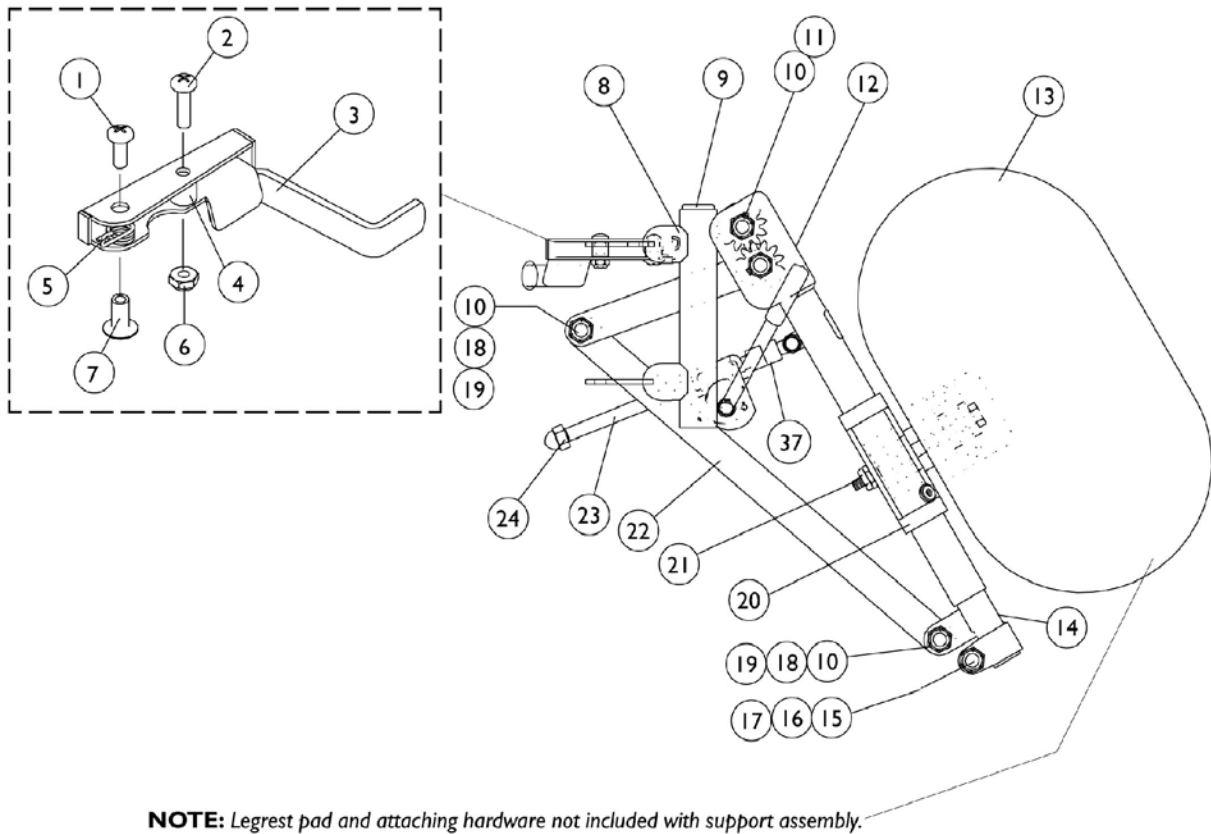
Item Number	Note	Part Number	Description	Quantity Per	
				Package	Assembly
1		7930328	Screw, Phillips Pan Head (#10-32 x 11/16")	25	2
2		7930335	Screw, Phillips Pan Head (#10-32 x 1/2")	25	1
3		1035539	Handle, Release (Black) - Right	1	1
3		1035540	Handle, Release (Black) - Left	1	1
4		47565X057	Bushing (7/32 x 3/8 x 11/32")	1	1
5		1028707	Spring, Release - Right	1	1
5		1028708	Spring, Release - Left	1	1
6		7930332	Locknut, High Profile (#10-32)	25	1
7		1028846	Rivnut (#10-32)	1	1
8		1027095	Plug Button, Black (7/8")	1	1
9		11919X000	Screw, Truss Head (3/8-16 x 1-1/2")	1	1
10		1058636	Washer, Nylon (25/64 x 7/8 x 1/32")	1	2
11		40363X000	Hex Nut (3/8"-16)	1	1
12	A,B	8881091764	Pad, Legrest Vinyl - Right/Left	1	1
12	A,C	88804529X003	Pad, Legrest Vinyl - Right	1	1
12	A,C	88804529X004	Pad, Legrest Vinyl - Left	1	1
13		7930330	Locknut (5/16-24)	25	3
14		1026030	Screw, Lug (5/16-24 x 1-3/8")	1	1
15		1094268	Tube, Elevating Support (Black) Right	1	1
15		1094269	Tube, Elevating Support (Black) Left	1	1
16		1027097	Plug Button, Black (3/4")	1	1
17		1108642	Legrest Support Tube (Black) Right	1	1
17		1108643	Legrest Support Tube (Black) Left	1	1
18		42326X004	Bar, Ratchet - Right/Left	1	1
19		7930336	Nut, Acorn (5/16-24)	25	1
20		1022874	Bumper	1	1
21		1030979	Screw, Phillips Pan Head Tap (#10-32 x 3/4")	1	1
22		1040060	Tip, Black Plastic	1	1
23		04528X002	Bracket, Release (Chrome)	1	1
24		1037125	Cam, Legrest	1	1
25		1037485	Spring, Release	1	1
26		1037126	Handle, Release	1	1
27		7930310	Washer, Nylon (5/16 x 11/16 x 1/16")	25	1
28		1040831	Snap Ring	1	1
29		1032266	Bracket, Legrest Pad Mounting	1	1
30		04526X019	Plate, Legrest Pad	1	1
31		7930330	Locknut (5/16-24)	25	1
32		1025133	Spacer, Legrest Pad	1	1
33		1032267	Spacer, Legrest Pad Mounting	1	1
34		1037110	Screw, Hex Head (5/16-24 x 3-1/2")	1	1
35		1028514	Screw, Hex Head (5/16-24 x 1-1/2")	1	1
36		1066591	Screws, Phillips Head (#10-32 x 11/16")	2	1
	D	1108644	Legrest Support Assembly, Adult, Black - Right	1	1

P904A Legrest Supports Black 14-20" Wide

Item Number	Note	Part Number	Description	Quantity Per	
				Package	Assembly
	D	1108645	Legrest Support Assembly, Adult, Black - Left	1	1
NOTE: A - Specify upholstery color U67 Black when ordering. B - 16-20" Chairs C - 14" Chairs D - Not Shown					

PAS4A/PAL4A Articulating Legrest

Chrome 14-20" Wide



PAS4A/PAL4A Articulating Legrest Chrome 14-20" Wide

Item Number	Note	Part Number	Description	Quantity Per	
				Package	Assembly
1		7930328	Screw, Phillips Pan Head (#10-32 x 11/16")	25	1
2		7930335	Screw, Phillips Pan Head (#10-32 x 1/2")	25	1
3		1035539	Handle, Release (Black) - Right	1	1
3		1035540	Handle, Release (Black) - Left	1	1
4		47565X057	Bushing (7/32 x 3/8 x 11/32")	1	1
5		1028707	Spring, Release - Right	1	1
5		1028708	Spring, Release - Left	1	1
6		7930332	Locknut, High Profile (#10-32)	25	1
7		1028846	Rivnut (#10-32)	1	1
8		1058478	Tube, Legrest Support, Right	1	1
8		1058479	Tube, Legrest Support, Left	1	1
9		1027097	Plug Button, Black (3/4")	1	1
10		40363X000	Hex Nut (3/8"-16)	1	1
11		1022854	Screw, Slotted Head Shoulder (1/2 x 1-1/8")	1	1
12		1022877	Tube Support and Drive Link - Right	1	1
12		1022878	Tube Support and Drive Link - Left	1	1
13	A,B	8881091764	Pad, Legrest Vinyl - Right/Left	1	1
13		1041806	Pad, Legrest, Two Piece Plastic	1	1
13	A,C	88804529X003	Pad, Legrest Vinyl - Right	1	1
13	A,C	88804529X004	Pad, Legrest Vinyl - Left	1	1
14		1022848	Slide Tube, Articulating (Chrome) - Right	1	1
14		1022849	Slide Tube, Articulating (Chrome) - Left	1	1
15		1027377	Washer (#20)	25	1
16		7930363	Package, Locknut (5/16"-24)	1	1
17		11232X009	Screw, Lug (5/16-24 x 1-3/8")	1	1
18		1022866	Screw, Socket Button Head (3/8-16 x 3/4")	1	2
19		1049527	Washer, Nylon (3/8 x 3/4 x 1/16")	1	2
20		1025104	Bracket, Legrest (Chrome)	1	1
21		7930363	Package, Locknut (5/16"-24)	25	2
22		1022846	Bar, Link, Chrome	1	1
23		1023811	Bar, Ratchet - Right	1	1
23		1023812	Bar, Ratchet - Left	1	1
24		7930336	Nut, Acorn (5/16-24)	25	1
25		1040060	Tip, Black Plastic	1	1
26		04528X002	Bracket, Release (Chrome)	1	1
27		1037125	Cam, Legrest	1	1
28		1037485	Spring, Release	1	1
29		1037126	Handle, Release	1	1
30		7930310	Washer, Nylon (5/16 x 11/16 x 1/16")	25	1
31		1040831	Snap Ring	1	1
32		48823X008	Spring, Leaf	1	1
33		1025133	Spacer, Legrest Pad	1	1
34		04526X019	Plate, Legrest Pad	1	1

PAS4A/PAL4A Articulating Legrest Chrome 14-20" Wide

Item Number	Note	Part Number	Description	Quantity Per	
				Package	Assembly
35		1014807	Screw, Hex Head (5/16-24 x 3-1/4")	1	1
36		1066591	Screws, Phillips Head (#10-32 x 11/16")	2	1
37		47328X003	Bushing, Pivot (5/16 x 7/16 x 7/8")	1	2
	D	1058482	Legrest Support, Articulating (Chrome) - Right	1	1
	D	1058483	Legrest Support, Articulating (Chrome) - Left	1	1
NOTE: A - Specify upholstery color U67 Black when ordering. B - 16-20" Wide Chairs C - 14" Wide Chairs D - Not Shown					

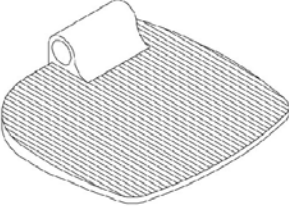
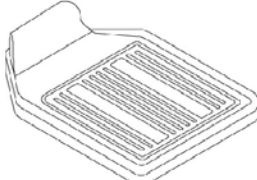
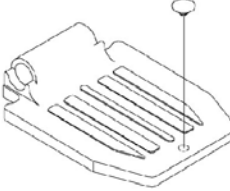
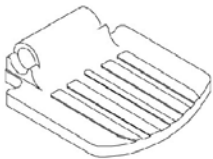
Pivot/Slide Tube and Footplate

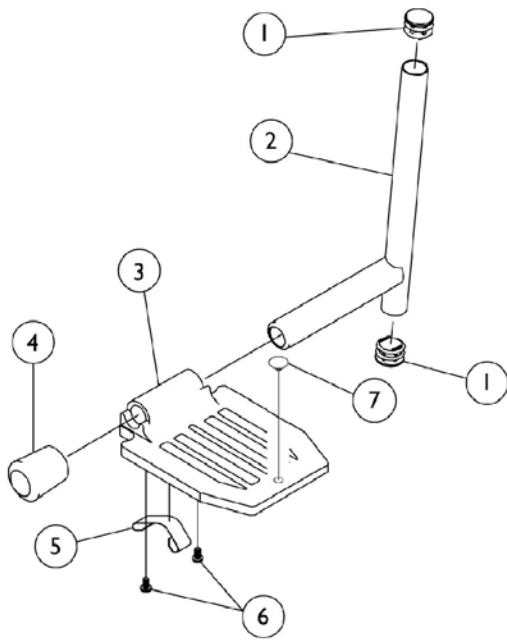
For the Following Footrests:

P93M, PW93, and PW93E

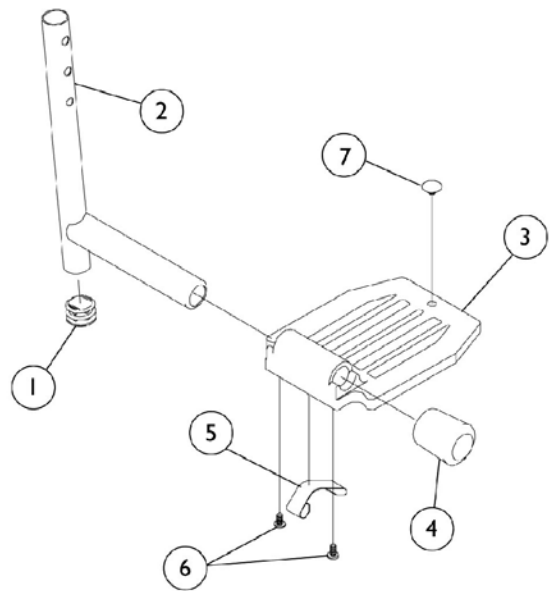
Note: Heel Loops are not included. See footrest and legrest accessories.

Note: For complete pivot/slide tube and footplate assemblies, see front riggings reference charts.

			
1350 Extra large	1450 Deluxe	16 to 20" Wide 1650 Standard Alum.	14" Wide 1650 Standard Alum.



P93M



PW93 and PW93E

Pivot/Slide Tube and Footplate

For the Following Footrests:

P93M, PW93, and PW93E

Note: Heel Loops are not included. See footrest and legrest accessories.

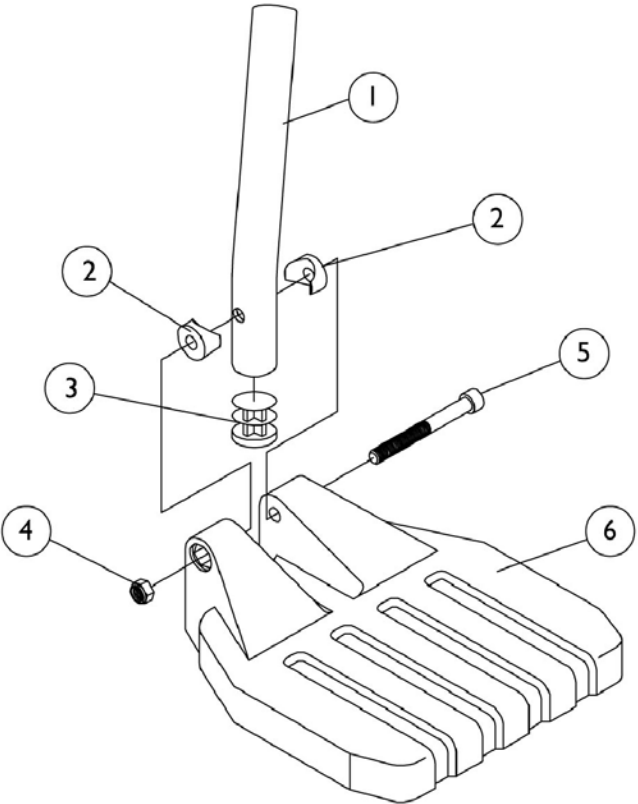
Note: For complete pivot/slide tube and footplate assemblies, see front riggings reference charts.

Item Number	Note	Part Number	Description	Quantity Per	
				Package	Assembly
1		1027097	Plug Button, Black (3/4")	1	2
2	A	1041527	Pivot/Slide Tube with Plug Button (Black)	1	1
2	B	1048834	Pivot/Slide Tube with Plug Button	1	1
2	C	1041525	Pivot/Slide Tube with Plug Button - Deluxe Aluminum	1	1
2	D	1070762	Pivot/Slide Tube with Plug Button, Deluxe Aluminum	1	1
3	E	44200X059	Footplate, Aluminum - Small (6-3/4" W x 6" L)	1	1
3	F	44200X027	Footplate, Aluminum - Medium (7-3/4" W x 6" L)	1	1
3		1043659	Footplate, Aluminum - Deluxe (8" W x 5-3/4" L) - Right	1	1
3		1043660	Footplate, Aluminum - Deluxe (8" W x 5-3/4" L) - Left	1	1
3	E	1002343	Footplate, Aluminum - Extra Large (7" W x 8-1/2" L) - Right	1	1
3	E	1002344	Footplate, Aluminum - Extra Large (7" W x 8-1/2" L) - Left	1	1
3	F	44200X025	Footplate, Aluminum - Extra Large (8" W x 8-1/2" L) - Right	1	1
3	F	44200X026	Footplate, Aluminum - Extra Large (8" W x 8-1/2" L) - Left	1	1
4	G	1016346	Cap, Tube End (7/8")	1	1
4	H	1027095	Plug Button, Black (7/8")	1	1
5		1006981	Spring, Leaf	1	2
5		1036120	Spring	1	2
5		1036123	Spring, Leaf	1	1
6		7930354	Package, Phillips Head Screw (#8-32 x 3/8")	25	2
7		1070168	Push Plug, Footplate	1	1
NOTE: A - Standard Aluminum (1650) and Extra Large Aluminum (1350) footplates for P93M B - Standard Aluminum (1650) and Extra Large Aluminum (1350) footplates for PW93 and PW93E C - Deluxe Aluminum (1450) footplate for P93M D - Deluxe Aluminum (1450) footplate for PW93 and PW93E E - 14" Wide F - 16-20" Wide G - Standard Aluminum Footplate H - Extra Large Aluminum Footplate					

Pivot/Slide Tube and Footplate

For the Following Footrest:
PW93ST

Note: Heel loops are not included. See footrest and legrest accessories.
Note: For complete pivot/slide tube and footplate assemblies, see front riggings reference charts.



Pivot/Slide Tube and Footplate

For the Following Footrest: PW93ST

Note: Heel loops are not included. See footrest and legrest accessories.

Note: For complete pivot/slide tube and footplate assemblies, see front riggings reference charts.

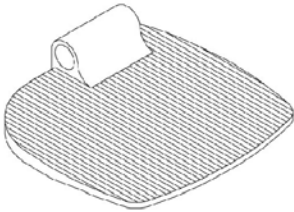
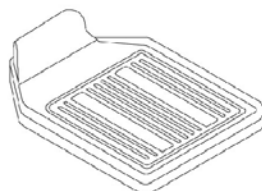
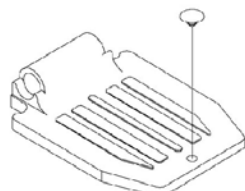
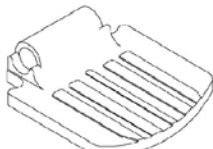
Item Number	Note	Part Number	Description	Quantity Per	
				Package	Assembly
1		1057852	Pivot/Slide Tube, Curved End (9-7/8") (Steel)	1	1
2		1025457	Spacer, Coved (1/4 x 3/4 x 11/32")	1	2
3		1027097	Plug Button, Black (3/4")	1	1
4		7930323	Package, Locknut (1/4-20)	25	1
5		7930366	Screw, Socket Head Cap (1/4-20 x 2-1/4")	25	1
6	A	1026879	Footplate, Composite - Small (6" W x 6" L)	1	1
6	B	1026880	Footplate, Composite - Medium (7" W x 6" L)	1	1
6	C	1026881	Footplate, Composite - Large (8" W x 6" L)	1	1
NOTE: A - 16" Wide B - 18" Wide C - 20" Wide					

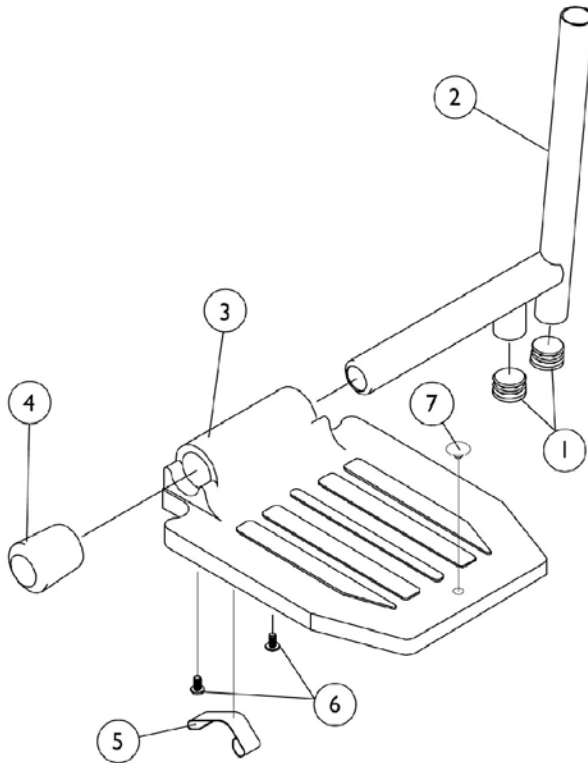
Pivot/Slide Tube and Footplate

For the Following Legrests:
P904, PAL4A, and PAS4A

Note: Heel Loops are not included. See footrest and legrest accessories.

Note: For complete pivot/slide tube and footplate assemblies, see front riggings reference charts.

			
1350 Extra large	1450 Deluxe	16 to 20" Wide 1650 Standard Alum.	14" Wide 1650 Standard Alum.



Pivot/Slide Tube and Footplate

For the Following Legrests:
P904, PAL4A, and PAS4A

Note: Heel Loops are not included. See footrest and legrest accessories.

Note: For complete pivot/slide tube and footplate assemblies, see front riggings reference charts.

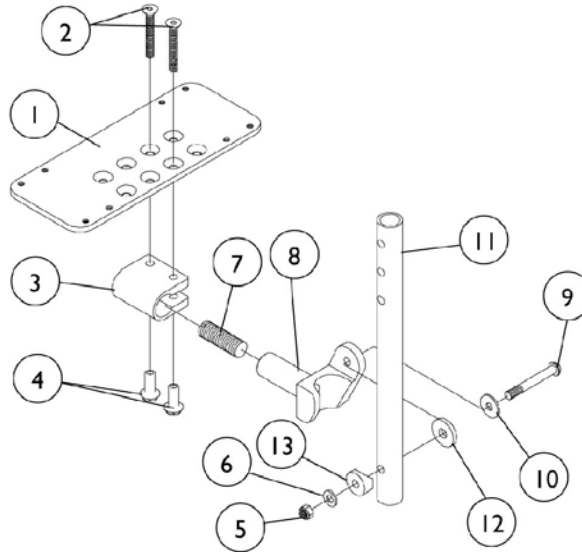
Item Number	Note	Part Number	Description	Quantity Per	
				Package	Assembly
1		1027097	Plug Button, Black (3/4")	1	2
2	A	1100568	Pivot/Slide Tube with Plug Button (Black)	1	1
2	B	1041526	Pivot/Slide Tube with Plug Button (Steel)	1	1
2	C	1100571	Pivot/Slide Tube with Plug Button - Deluxe	1	1
3	D	44200X059	Footplate, Aluminum - Small (6-3/4" W x 6" L)	1	1
3	E	44200X027	Footplate, Aluminum - Medium (7-3/4" W x 6" L)	1	1
3		1043659	Footplate, Aluminum - Deluxe (8" W x 5-3/4" L) - Right	1	1
3		1043660	Footplate, Aluminum - Deluxe (8" W x 5-3/4" L) - Left	1	1
3	D	1002343	Footplate, Aluminum - Extra Large (7" W x 8-1/2" L) - Right	1	1
3	D	1002344	Footplate, Aluminum - Extra Large (7" W x 8-1/2" L) - Left	1	1
3	E	44200X025	Footplate, Aluminum - Extra Large (8" W x 8-1/2" L) - Right	1	1
3	E	44200X026	Footplate, Aluminum - Extra Large (8" W x 8-1/2" L) - Left	1	1
4	F	1016346	Cap, Tube End (7/8")	1	1
4	G	1027095	Plug Button, Black (7/8")	1	1
5		1006981	Spring, Leaf	1	1
5		1036120	Spring	1	1
5		1036123	Spring, Leaf	1	1
6	H	7930354	Package, Phillips Head Screw (#8-32 x 3/8")	25	2
7		1070168	Push Plug, Footplate	1	1
<p>NOTE: A - Standard Aluminum (1650) and Extra Large Aluminum (1350) footplates for P904 B - Standard Aluminum (1650) and Extra Large Aluminum (1350) footplates for PAL4/PAS4A C - Deluxe Aluminum (1450) footplate for P904 D - 14" Wide E - 16-20" Wide F - Standard Aluminum Footplate G - Extra Large Aluminum Footplate H - Deluxe Takes 1</p>					

AT5543 Adjustable Angle Footplate Assemblies

For the Following Footrests: PW93, PW93E

Note: Heel Loops are not included. See footrest and legrest accessories.

Note: For complete pivot/slide tube and footplate assemblies, see front riggings reference charts.



Item Number	Note	Part Number	Description	Quantity Per	
				Package	Assembly
1	A	1060427	Footplate, Adjustable Angle - Large (5-1/4" W x 8" L)	1	1
1	B	1062569	Footplate, Adjustable Angle - X-Large (6-1/4" W x 8" L)	1	1
2		1029545	Screw, Socket Head Cap (1/4-20 x 3/4")	1	2
3		1058517	Clamp, Footplate	1	1
4		1082686	Nut, Hex Head (1/4-20 x 11/16")	1	2
5		7930333	Locknut (1/4-20)	25	1
6		1026907	Washer (1/4 x 1/2 x 1/16")	1	1
7		1048816	Screw, Nylon Adjustment (1/2-13 x 7/8")	1	1
8		1052102	Hinge, Footplate - Right	1	1
8		1052103	Hinge, Footplate - Left	1	1
9		7930321	Screw, Socket Button Head (1/4-20 x 1-7/8")	25	1
10		1026900	Washer (1/4 x 23/32 x 1/16")	1	1
11		1057855	Pivot/Slide Tube, Straight (9-7/8" Long - Steel)	1	1
12		7930313	Washer, Nylon (5/16 x 7/8 x 1/8")	25	1
13		1025457	Spacer, Coved (1/4 x 3/4 x 11/32")	1	1
NOTE: A - 14" Wide B - 16-20" Wide					

Footrest and Legrest Accessories

1651 Composite Footplate

Footplate Type	Heel Loop Single #	Heel Loop Pair #	Heel Loop w/Ankle Strap Single # - Right	Heel Loop w/Ankle Strap Single # - Left	Heel Loop w/Ankle Strap Pair #	Attaching Hardware Pair #
16"W Tapered	1028412	1035912	1035908	1035909	1035906	1035931
18"W Tapered	1017621	1035917	1035919	1035920	1035918	1035931
20" W Tapered	1017621	1035917	1035932	1035933	1035930	1035931

1650 Standard Aluminum Footplate

Footplate Type	Heel Loop Single #	Heel Loop Pair #	Heel Loop w/Ankle Strap Single # - Right	Heel Loop w/Ankle Strap Single # - Left	Heel Loop w/Ankle Strap Pair #	Attaching Hardware Pair #
14"W	1025234	1035905	1035908	1035909	1035906	1035907
16"-20"W	1017621	1035917	1035919	1035920	1035918	1035907

1450 Deluxe Aluminum Footplate

Footplate Type	Heel Loop Single #	Heel Loop Pair #	Heel Loop w/Ankle Strap Single # - Right	Heel Loop w/Ankle Strap Single # - Left	Heel Loop w/Ankle Strap Pair #	Attaching Hardware Pair #
16"-20"W	1017621	1035917	1035919	1035920	1035918	1086112

1350 X-Large Aluminum Footplate

Footplate Type	Heel Loop Single #	Heel Loop Pair #	Heel Loop w/Ankle Strap Single # - Right	Heel Loop w/Ankle Strap Single # - Left	Heel Loop w/Ankle Strap Pair #	Attaching Hardware Pair #
14"W	1025234	1035905	1035908	1035909	1035906	1055241
16"-20"W	1017621	1035917	1035919	1035920	1035918	1055241

Footrest and Legrest Accessories

Attaching Hardware Part Numbers

Footplate Type	Part Number	Contents
Composite (1651)	1035931	2 ea. - Spacer (1/4 x 11/32 x 1-3/4") 2 ea. - Screw (1/4-20 x 2-1/4") 2 ea. - Locknut (1/4-20)
Standard Aluminum (1650)	1035907	2 ea. - Spacer (1/4 x 11/32 x 1-3/4") 2 ea. - Screw (1/4-20 x 2-1/2") 2 ea. - Locknut (1/4-20)
Deluxe Aluminum (1450)	1086112	2 ea. - Spacer (1/4 x 11/32 x 1-3/4") 2 ea. - Screw (1/4-20 x 2-1/2") 2 ea. - Locknut (1/4-20)
X-Large Aluminum (1350)	1055241	2 ea. - Spacer (1/4 x 11/32 x 1-3/4") 2 ea. - Screw (1/4-20 x 2-1/4") 2 ea. - Locknut (1/4-20)

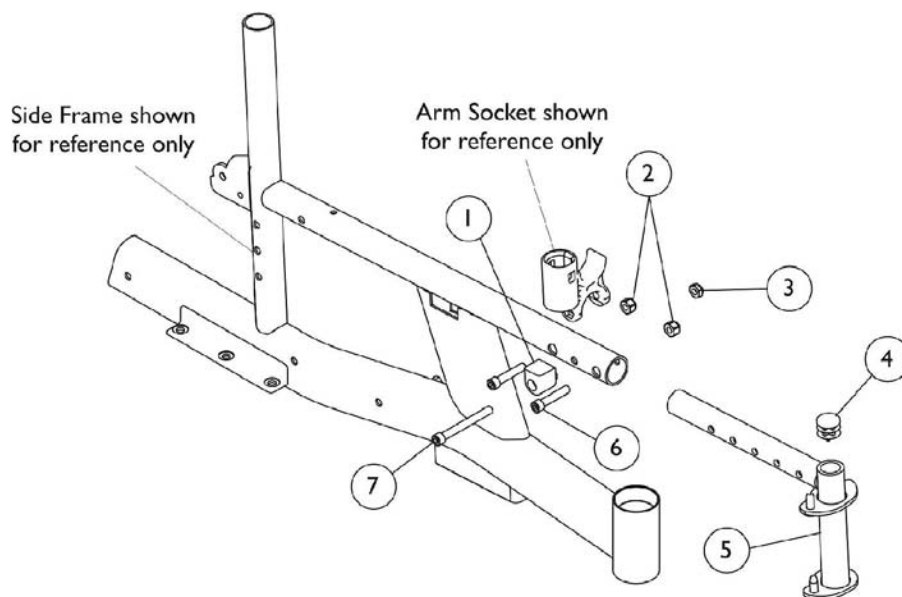
Heel Loops and Heel Loops with Ankle Straps (AT5543)

Heel Loops & Hardware AT5543 Adjustable Angle	Heel Loops w/Ankle Strap & Hardware AT5543 Adjustable Angle
1038245	1038246
2 ea.- Heel Loops 4 ea - Screw Skt. Cap (10-32 x 1-1/2") 4 ea - Spacer (1/4 x 5/16 x 1-3/32") 4 ea - Washer (3/16 x 7/16 x 1/16")	2 ea.- Heel Loops 4 ea - Screw Skt. Cap (10-32 x 1-1/2") 4 ea - Spacer (1/4 x 5/16 x 1-3/32") 4 ea - Washer (3/16 x 7/16 x 1/16")

Footrest and Legrest Accessories

Item Number	Note	Part Number	Description	Quantity Per	
				Package	Assembly
	A	1035902	Calf Strap w/ Hook and Loop (31" Long)	1	1
	B,C	1032003	"H" Heel Strap	1	1
	B,D	1032002	"H" Heel Strap	1	1
		1026987	Impact Guard, 8" Long	1	2
	E	See Chart	1350 X-Large Aluminum Footplate	1	1
	E	See Chart	1450 Deluxe Aluminum Footplate	1	1
	E	See Chart	1650 Standard Aluminum Footplate	1	1
	E	See Chart	Attaching Hardware Part Numbers	1	1
	E	See Chart	Composite 1651 Footplate	1	1
	E	See Chart	Heel Loops and Heel Loops with Ankle Straps (AT5543)	1	1
NOTE: A - 1337 B - 9342 C - 14" Wide D - 16-20" Wide E - Not Shown					

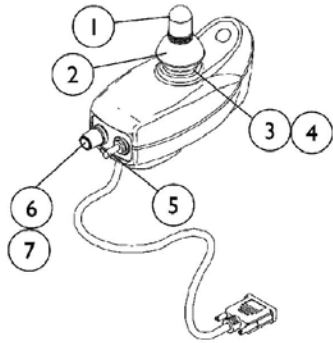
Front Rigging Hanger



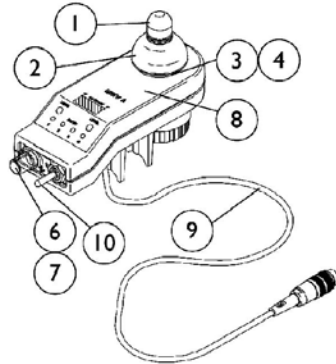
Item Number	Note	Part Number	Description	Quantity Per	
				Package	Assembly
1		1106315	Brace, Arm Socket	1	1
2		1025736	Locknut (1/4-20)	1	2
3		1025195	Locknut (1/4-20)	1	1
4		1027097	Plug Button, Black (3/4")	1	1
5		1106313	Hanger, Footrest Support -Right	1	1
5		1106314	Hanger, Footrest Support -Left	1	1
6		1003545	Screw, Socket Head (1/4-20 x 1-1/4")	1	2
7		60285X006	Screw, Socket Head Cap (1/4-20 x 2-1/4")	1	1

MKIV Joysticks and Mounting Hardware

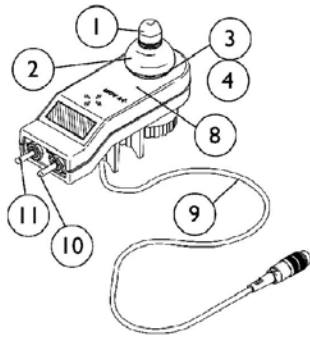
RII, A and A+ Before 2/15/03



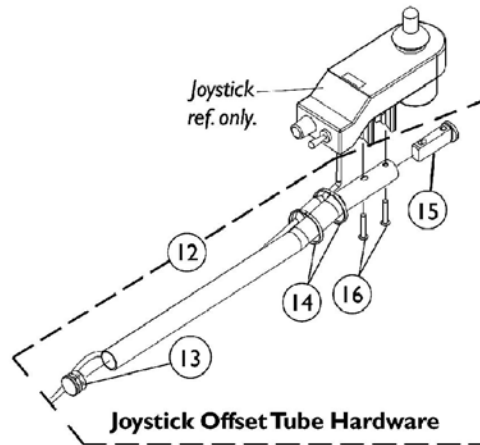
1092610
RII Joystick



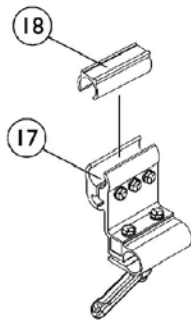
1065944
A Joystick



1038608
A+ Joystick

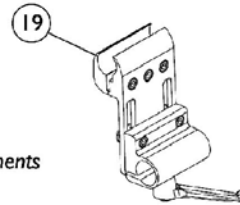


Joystick Offset Tube Hardware



Fixed Height
Joystick Offset Tube
Clamp Assembly

NOTE: Individual components
are not available.



Adjustable Height
Joystick Offset Tube
Clamp Assembly

MKIV Joysticks and Mounting Hardware

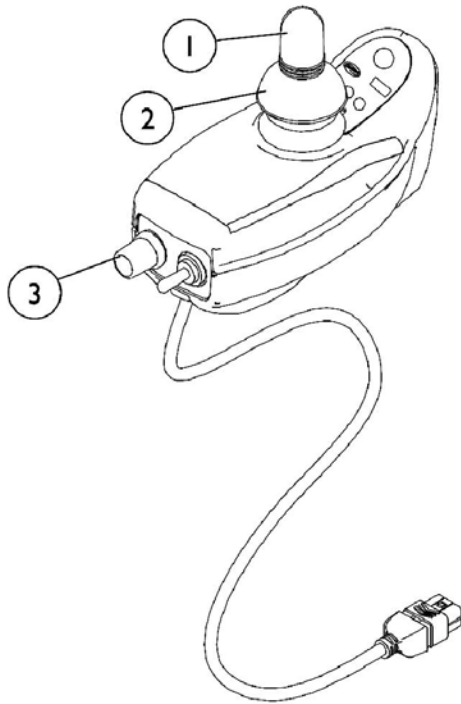
RII, A and A+ Before 2/15/03

Item Number	Note	Part Number	Description	Quantity Per	
				Package	Assembly
1		1040217	Knob, Joystick	1	1
2		1040218	Skirt, Joystick	1	1
3	E,F	1036764	Inductive, Joystick	1	1
3	G	1104397	Inductive, Joystick	1	1
4		50000X364	Joystick, Boot	1	1
5	E	1010042	Switch, Toggle SPDT	1	1
6	H	1040225	Potentiometer, Speed	1	1
6	G	1115518	Potentiometer, Speed	1	1
7		1025516	Knob, Speed Control	1	1
8		1040190	Overlay, Joystick Decal A Joystick	1	1
8		1036776	Overlay Joystick Decal A+ Joystick	1	1
9	E,I	1036750	Cable Assembly	1	1
9	G	1104205	Cable Assembly	1	1
10	E,I	1040185	Switch On/ Off Momentary	1	1
10	G	1115523	Switch, On/ Off Momentary	1	1
11	E	1040186	Switch, Program	1	1
12	B,C	1093069	Kit, 1/2" Offset Joystick Tube with Hardware	1	1
13		1027095	Plug Button, Black (7/8")	1	1
14		1095502	Package, Cable Ties (11-1/2" Long)	10	2
15		1093063	Spacer, Joystick Tube	1	1
16		7930327	Screw, Phillips Pan Head (#10-32 x 1-1/8")	25	2
17	C	1093071	Clamp, Fixed Height Joystick Tube	1	1
18	J	1061983	Spacer, Plastic Snap Clamp (3/4" I.D. x 2-1/2" Long)	1	1
19	K	1139422	Clamp, Height Adjustable Joystick Tube (ARM250)	1	1
	A	1006270	Joystick Extension - "T" Style (1560) (4" Wide x 5-1/2" Long)	1	1
	A	1006271	Joystick Extension - Straight Style (1561) (1/2" Wide x 5" Long)	1	1
	D	1092610	Joystick, RII	1	1
	D	1065944	Joystick, "A"	1	1
	D	1038608	Joystick "A+"	1	1

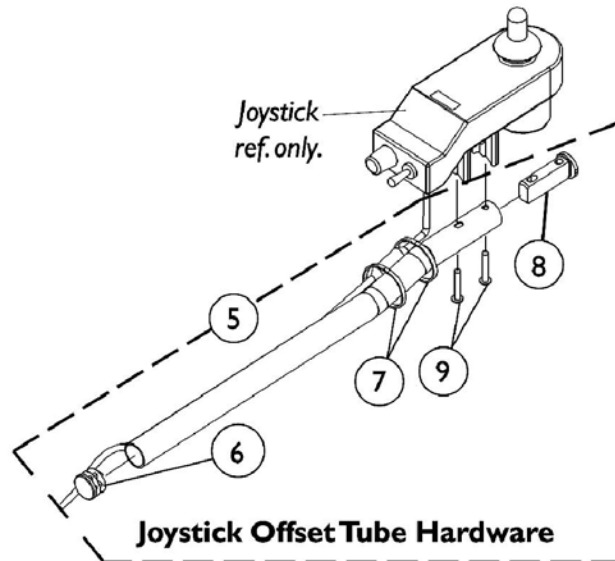
NOTE: A - Not Shown
 B - Includes items 13-16
 C - MKIV RII, A, A+, and PSF/PSR
 D - See pictorial for reference.
 E - Item requires soldering
 F - For RII, A+ and (A joystick before 10/01/02)
 G - For A joystick after 9/30/02 and has a non-solder connector
 H - For RII and (A joystick before 10/01/02)
 I - For A+ and (A joystick before 10/01/02)
 J - Spacer allows the half clamps to grip securely around the 3/4" arm tube
 K - Available as an option (ARM250) and can be used to replace a Fixed Height Joystick Clamp.

MK5 SPJ Joystick and Mounting Hardware

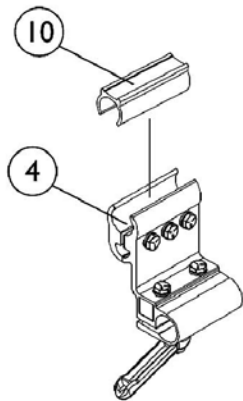
After 2/14/03



**1109532
SPJ Joystick**

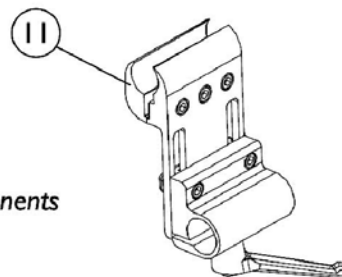


Joystick Offset Tube Hardware



**Fixed Height
Joystick Offset Tube
Clamp Assembly**

NOTE: Individual components
are not available.



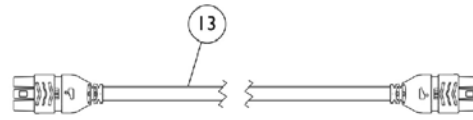
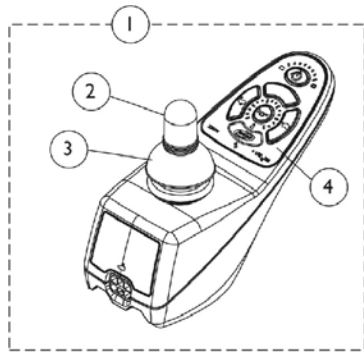
**Adjustable Height
Joystick Offset Tube
Clamp Assembly**

MK5 SPJ Joystick and Mounting Hardware After 2/14/03

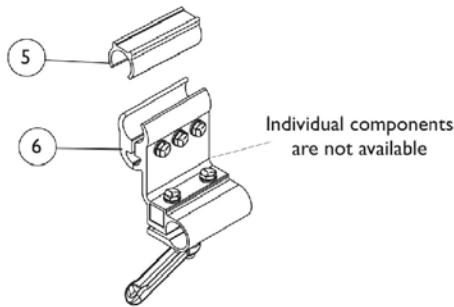
Item Number	Note	Part Number	Description	Quantity Per	
				Package	Assembly
1		1040217	Knob, Joystick	1	1
2		1040218	Skirt, Joystick	1	1
3		1025516	Knob, Speed Control	1	1
4		1093071	Clamp, Fixed Height Joystick Tube	1	1
5	A	1093069	Kit, 1/2" Offset Joystick Tube with Hardware	1	1
6		1027095	Plug Button, Black (7/8")	1	1
7		1095502	Package, Cable Ties (11-1/2" Long)	10	2
8		1093063	Spacer, Joystick Tube	1	1
9		7930327	Screw, Phillips Pan Head (#10-32 x 1-1/8")	25	2
	B	1006270	Joystick Extension - "T" Style (1560) (4" Wide x 5-1/2" Long)	1	1
	B	1006271	Joystick Extension - Straight Style (1561) (1/2" Wide x 5" Long)	1	1
	C,D	1109532	Joystick, MK5 SPJ	1	1
10	E	1061983	Spacer, Plastic Snap Clamp (3/4" I.D. x 2-1/2" Long)	1	1
11	F	1139422	Clamp, Height Adjustable Joystick Tube (ARM250)	1	1
NOTE: A - Includes items 6-9 B - Not Shown C - See pictorial for reference. D - Items 1-3 are the only serviceable components for the MK5 SPJ joystick E - Spacer allows the half clamps to grip securely around the 3/4" arm tube F - Introduced as an option (ARM250) and can be used to replace a Fixed Height Joystick Clamp.					

MK5 SPJ+ Joystick and Mounting Hardware

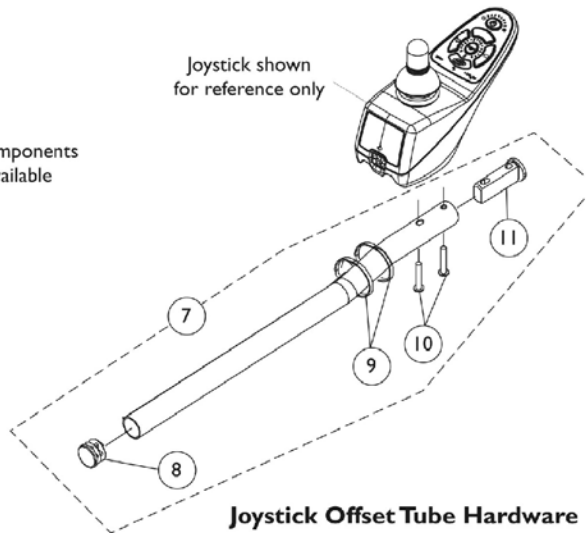
Introduced 8/16/05



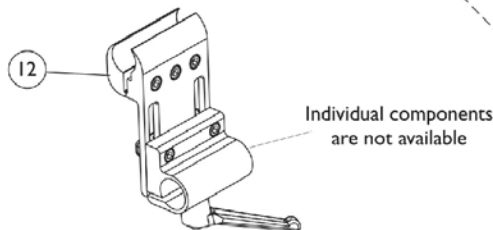
Joystick Cable



**Fixed Height
Joystick Offset Tube
Clamp Assembly**



Joystick Offset Tube Hardware



**Adjustable Height
Joystick Offset Tube
Clamp Assembly**

MK5 SPJ+ Joystick and Mounting Hardware Introduced 8/16/05

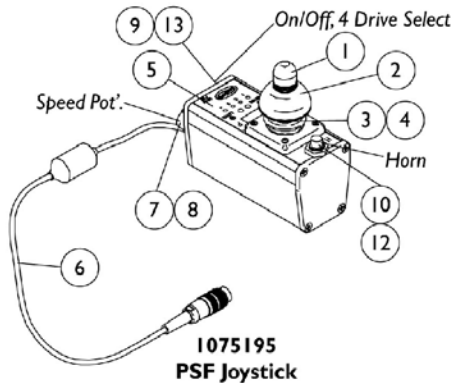
Item Number	Note	Part Number	Description	Quantity Per	
				Package	Assembly
1	A	1127291	Joystick, SPJ+	1	1
2		1040217	Knob, Joystick	1	1
3		1040218	Skirt, Joystick	1	1
4		1151384	Overlay, SPJ+ Joystick	1	1
5		1061983	Spacer, Plastic Snap Clamp (3/4" I.D. x 2-1/2" Long)	1	1
6		1093071	Clamp, Fixed Height Joystick Tube	1	1
7	B	1093069	Kit, 1/2" Offset Joystick Tube with Hardware	1	1
8		1027095	Plug Button, Black (7/8")	1	1
9		1095502	Package, Cable Ties (11-1/2" Long)	10	1
10		1025714	Screw, Phillips Pan Head (#10-32 x 1-1/8")	1	2
11	C	1093063	Spacer, Joystick Tube	1	1
12	D	1139422	Clamp, Height Adjustable Joystick Tube (ARM250)	1	1
13		1133165	Cable, Joystick Extension MK5	1	1
	E	1006270	Joystick Extension - "T" Style (1560) (4" Wide x 5-1/2" Long)	1	1
	E	1006271	Joystick Extension - Straight Style (1561) (1/2" Wide x 5" Long)	1	1

NOTE: A - Includes Joystick and items 2 - 4
 B - Includes items 8-11
 C - Spacer allows the half clamps to grip securely around the 3/4" arm tube
 D - Introduced as an option (ARM250) and can be used to replace a Fixed Height Joystick Clamp.
 E - Not Shown

MKIV Joysticks

PSF and PSR Before 2/15/03

NOTE: PSR STANDARD joystick configuration below show the on/off switch on the left side for part # 1075196. When the on/off switch is required on the right side, refer to part number 8881075196 and order as a configured part.



STANDARD: This PSR joystick includes a toggle on/off combined with a drive select and a push button horn. No speed selector.

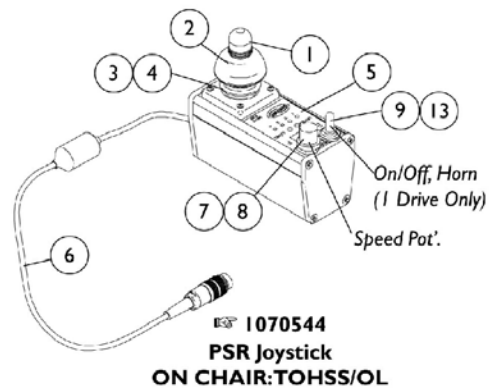
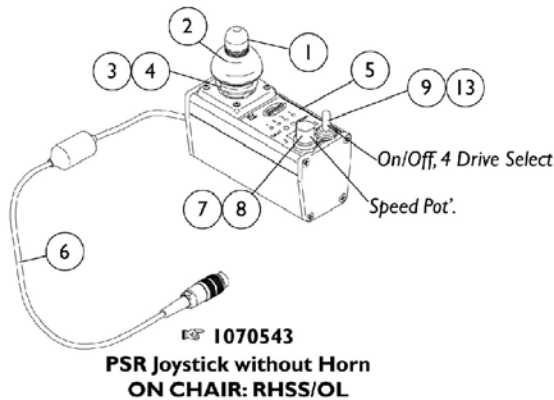
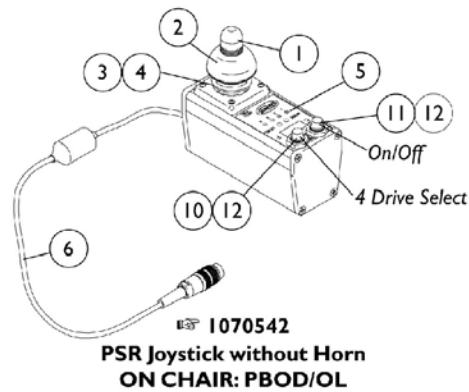
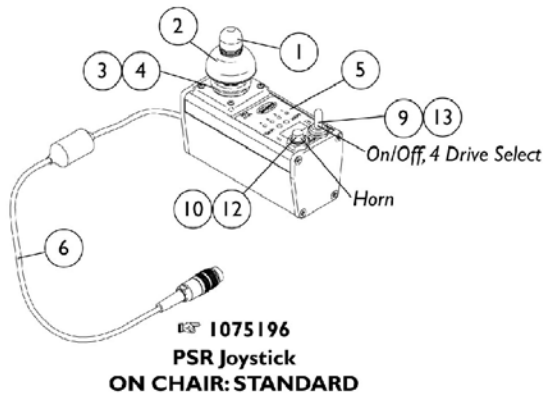
PBOD: This PSR joystick includes push button on/off with a push button drive select. This gives you access to the four drives, but no horn and no speed select.

RHSS: This PSR joystick replaces the horn with a speed selector. This allows you to deviate from having a horn to having a speed select dial, plus the drive selector to the four drives.

TOHSS: This PSR joystick includes a toggle on/off with horn and a speed select dial. You have access to only one drive.

OL: On/Off positioned on left side of the PSR joystick.

OR: On/Off positioned on right side of the PSR joystick.



MKIV Joysticks

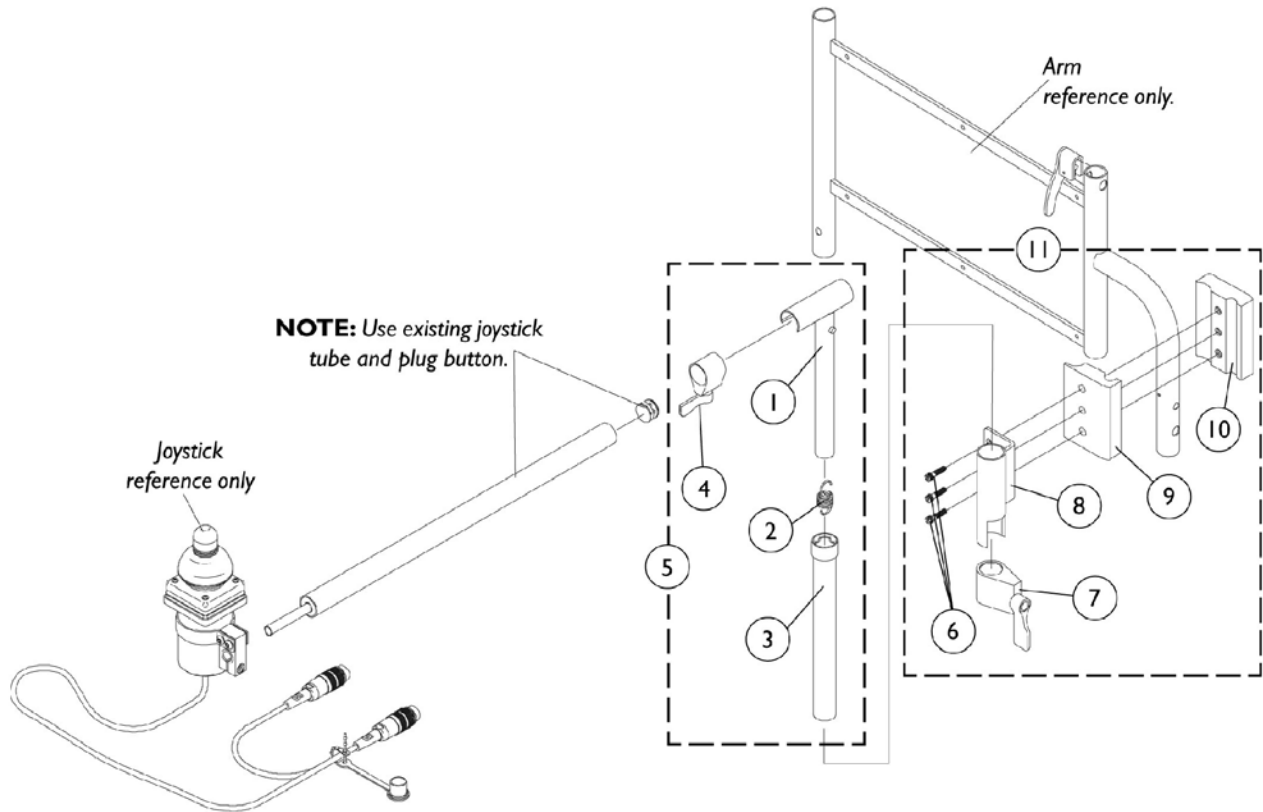
PSF and PSR Before 2/15/03

NOTE: PSR STANDARD joystick configuration below show the on/off switch on the left side for part # 1075196. When the on/off switch is required on the right side, refer to part number 8881075196 and order as a configured part.

Item Number	Description	PSF	PSR
See Pictorial	Joystick Assembly	N/A	1075196
See Pictorial	Joystick Assembly	8881075195	8881075196
See Pictorial	Joystick Assembly	N/A	1070542
See Pictorial	Joystick Assembly	N/A	1070543
See Pictorial	Joystick Assembly	N/A	1070544
1	Knob, Joystick	1040217	1040217
2	Skirt, Joystick	1040218	1040218
3	Inductive, Joystick	1036764	1036764
4	Boot, Joystick	50000X364	50000X364
5	Overlay, Joystick Decal	1075034	1079925
6	Cable Assembly	1036750	1036750
7	Potentiometer, Speed	1040225	1040225
8	Knob, Potentiometer	1025516	1025516
9	Switch, On/Off Momentary	1040185	1040185
10	Switch, Push Button SPST Momentary	1010047	1010047
11	Switch, Push Button SPST	N/A	1010048
12	Boot, Switch	1010049	1010049
13	Boot, Switch	1058464	1058464

MKIV Mid-Line Swing Bracket Assembly

For MKIV Electronics Only

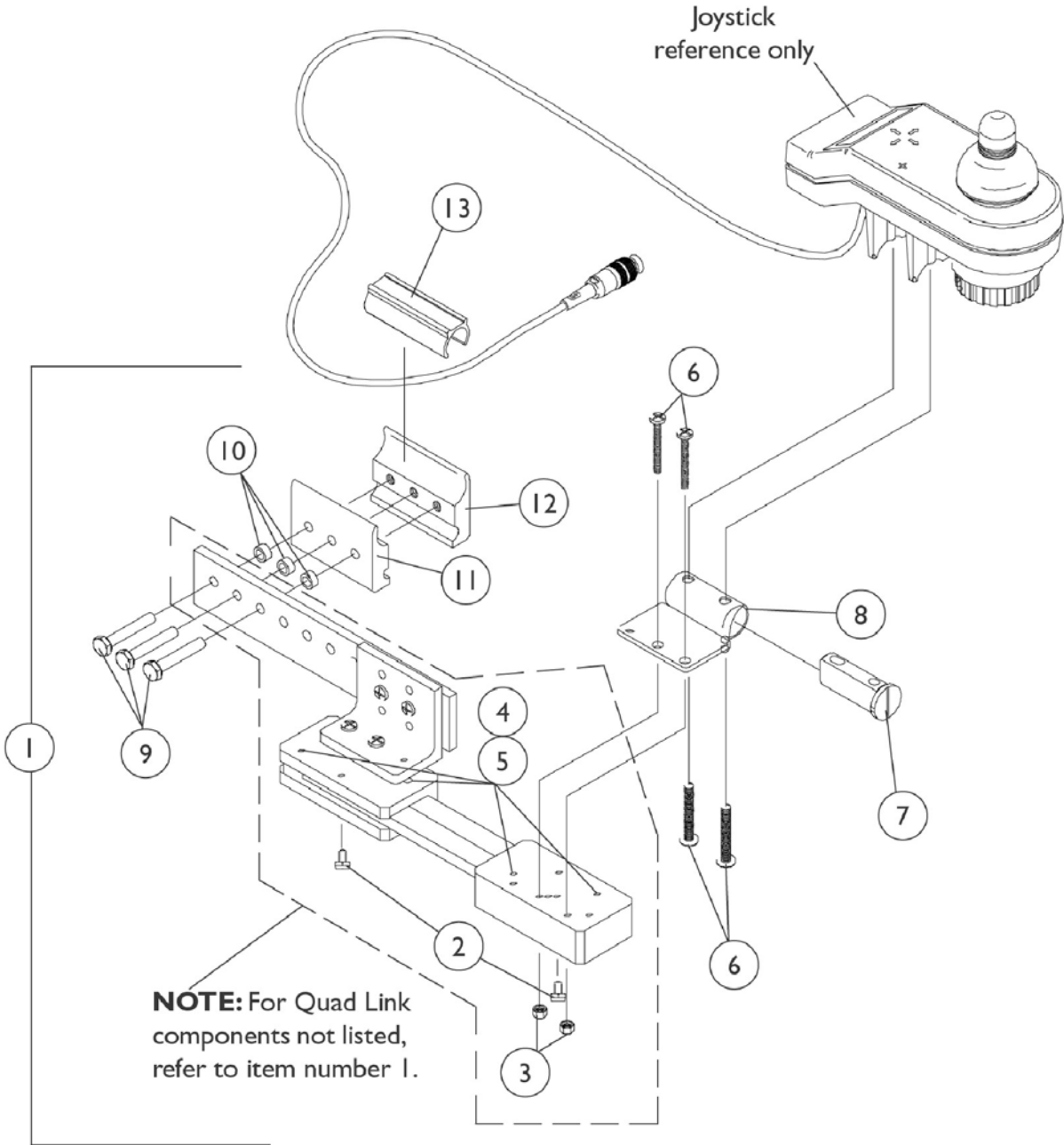


Item Number	Note	Part Number	Description	Quantity Per	
				Package	Assembly
1		1035528	Adjustment Tube, (Inside) Mid-Line	1	1
2		1016778	Spring, Extension	1	1
3		1035860	Adjustment Tube, (Outside) Mid-Line	1	1
4		1027274	Lock, Adjustment (Black)	1	1
5	A	1035852	Swing Bracket Assembly, Mid-Line	1	1
6		7930349	Screw, Hex Head (1/4-20 x 1-1/8")	25	3
7		1027274	Lock, Adjustment (Black)	1	1
8		1049582	Bracket, Joystick Mounting	1	1
9		1027266	Half Clamp, Non-Threaded Holes	1	1
10		1027267	Half Clamp, Threaded Holes	1	1
11	B	1049591	Hardware, Joystick Tube Mounting	1	1

NOTE: A - Includes items 1-4
B - Includes items 6-10

Quad Link Assembly

Before 4/07/06



Quad Link Assembly Before 4/07/06

Item Number	Note	Part Number	Description	Quantity Per	
				Package	Assembly
1	A	1052402	Kit, Quad Link Assembly - Right	1	1
2			Ball Plunger with Lock Washer Assembly	2	1
3			Locknut (#10-32)	1	2
4			Screw, Socket Head (#10-32 x 1/2")	1	4
5			Bushing, Bronze (3/16 x 1/4 x 1/4")	1	4
6			Screw, Phillips Pan Head (#10-32 x 1-1/8")	1	4
7			Spacer, Joystick Tube	1	1
8			Stud Plate, Quad Link	1	1
9			Screw, Hex Head (1/4-20 x 1-1/2")	1	3
10			Spacer (1/4 x 3/8 x 3/16")	1	3
11			Half Clamp, Non-Threaded Holes	1	1
12			Half Clamp, Threaded Holes	1	1
1	A	1115372	Kit, Quad Link Assembly - Left	1	1
2			Ball Plunger with Lock Washer Assembly	2	1
3			Locknut (#10-32)	1	2
4			Screw, Socket Head (#10-32 x 1/2")	1	4
5			Bushing, Bronze (3/16 x 1/4 x 1/4")	1	4
6			Screw, Phillips Pan Head (#10-32 x 1-1/8")	1	4
7			Spacer, Joystick Tube	1	1
8			Stud Plate, Quad Link	1	1
9			Screw, Hex Head (1/4-20 x 1-1/2")	1	3
10			Spacer (1/4 x 3/8 x 3/16")	1	3
11			Half Clamp, Non-Threaded Holes	1	1
12			Half Clamp, Threaded Holes	1	1
13	B	1061983	Spacer, Plastic Snap Clamp (3/4" I.D. x 2-1/2" Long)	1	1

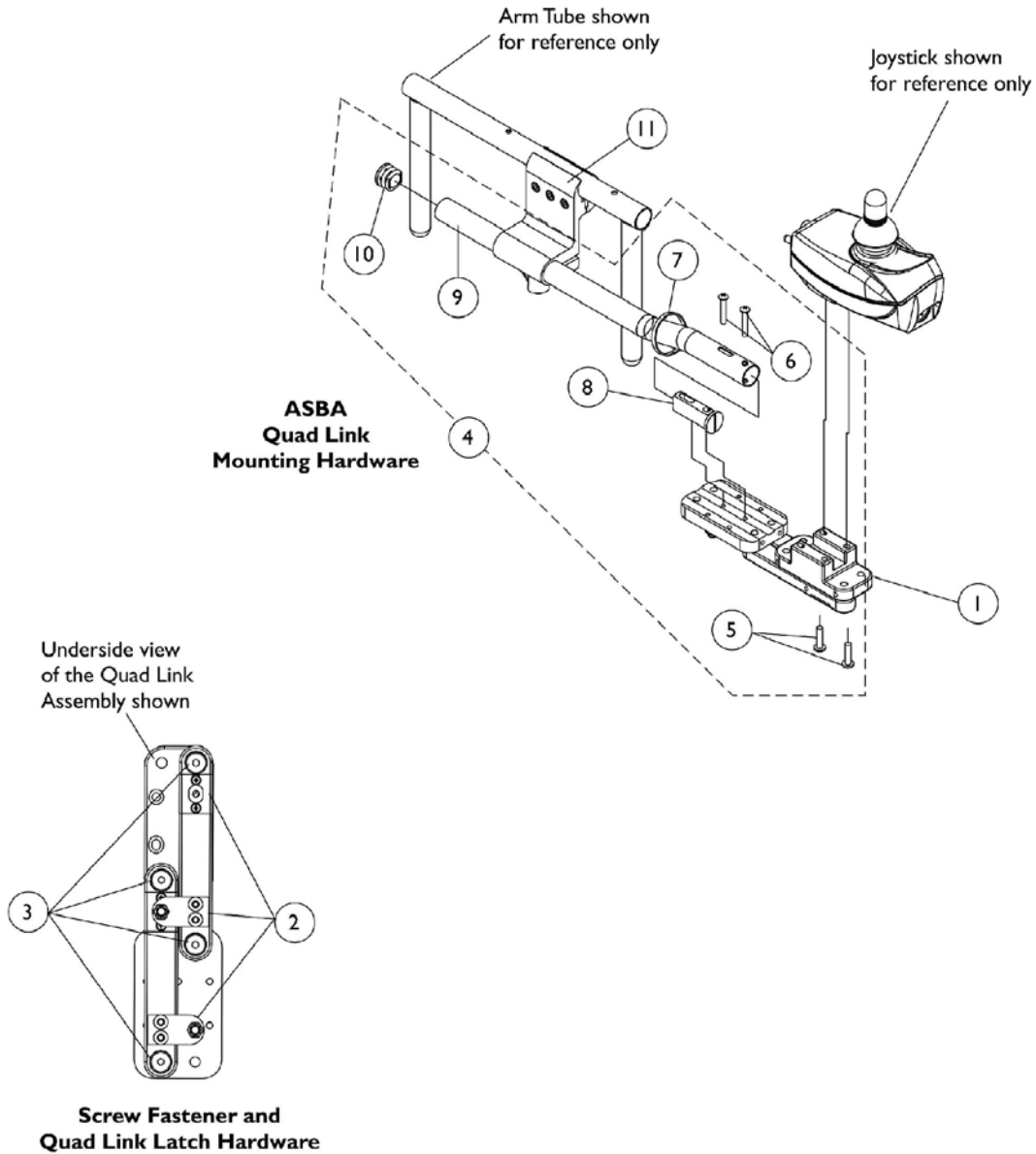
NOTE: A - Includes the Quad Link, items 2-12 and used with MKIV RII, RX, A, A+, PSF/PSR joysticks
 B - Spacer allows the half clamps to grip securely around the 3/4" arm tube

Quad Link (QLA)

After 4/06/06

When converting an old style Quad Link that attaches to a mounting plate is currently on the chair then order the following for ASBA Seat; Quad Link Mtg. Hdw. (item 4), Quad Link (item 1) & Ht. Adj. Joystick Tube Clamp (item 11)

NOTE: Substitute (item 4) with 2 ea. of the PPH Screws (item 5) when an offset joystick tube is currently on the chair.



Quad Link (QLA) After 4/06/06

When converting an old style Quad Link that attaches to a mounting plate is currently on the chair then order the following for ASBA Seat; Quad Link Mtg. Hdwr. (item 4), Quad Link (item 1) & Ht. Adj. Joystick Tube Clamp (item 11)

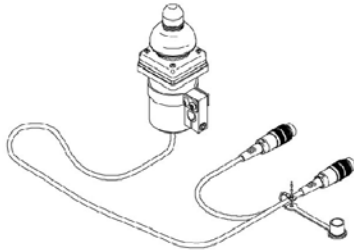
NOTE: Substitute (item 4) with 2 ea. of the PPH Screws (item 5) when an offset joystick tube is currently on the chair.

Item Number	Note	Part Number	Description	Quantity Per	
				Package	Assembly
1		1140898	Quad Link (QL) and Instruction Sheet - Right	1	1
1		1140899	Quad Link (QL) and Instruction Sheet - Left	1	1
2	A	1140425	Kit, Quad Link Latch Hardware	1	1
3	B	1140424	Kit, Quad Link Screw Fastener Hardware	1	1
4	C	1142937	Kit, ASBA/ADJASBA Quad Link Mounting Hardware	1	1
5			Screw, Phillips Pan Head w/ Patch (10-32 x 3/4")	1	2
6			Screw, Phillips Pan Head (#10-32 x 1-1/8")	1	2
7			Cable Tie (11-1/2" Long)	1	1
8			Spacer, Joystick Tube	1	1
9			Tube, Joystick 2" Offset	1	1
10			Plug Button, Black (7/8")	1	1
5		1105414	Screw, Phillips Pan Head w/ Patch (10-32 x 3/4")	1	2
11		1093071	Clamp, Fixed Height Joystick Tube	1	1
	D	1134844	Instruction Sheet, Quad Link	1	1
<p>NOTE: A - Latch Kit includes 4 ea. Button Head Cap Screws (10-32 x 3/8"), 2 ea. Latch Spring Assembly, 4 ea. Phillips Flat C'Sunk Head Screws, 2 ea. Spring Catch Plates, 2 ea. Socket Head Set Screws (10-32 x 3/8")</p> <p>B - Screw Fastener Kit includes 4 ea. Socket Head Shoulder Screws (3/8 x 3/8"), 2 ea. Socket Head Cap Screws (1/4-20 x 3/8"), 2 ea. Socket Head Set Screws (1/4-20 x 1/2"), 4 ea. Socket Head Set Screws (10-32 x 1/8")</p> <p>C - Includes items 5-10. The Quad Link Mounting Hardware accommodates MK5, MKIV RII, A, and A+ joysticks.</p> <p>D - Not Shown</p>					

MKIV Joystick Switch Options

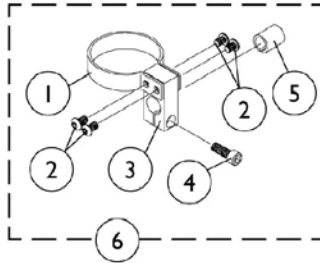
For MKIV Electronics Only

DUAL JOYSTICK W/ MTG. HARDWARE

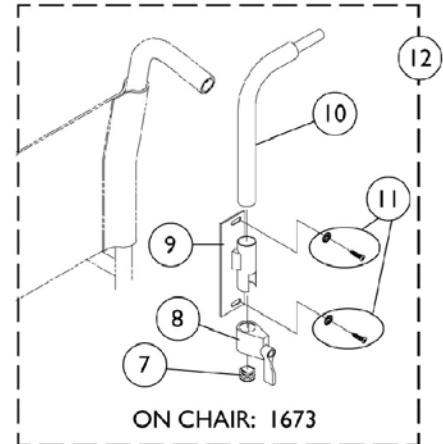


ON CHAIR: 1812M4
OFF CHAIR: 1038638

DUAL JOYSTICK MOUNTING HARDWARE



REAR CANE MOUNT



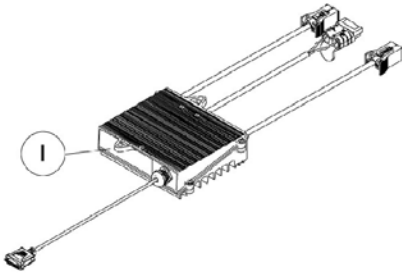
⊗ Ribbon Reset Switch (1020818) may be required.

MKIV Joystick Switch Options For MKIV Electronics Only

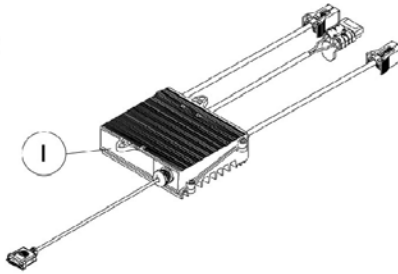
Item Number	Note	Part Number	Description	Quantity Per	
				Package	Assembly
1		1025048	Clamp	1	1
2		1021460	Screw, Socket Button Head (#10-32 x 5/16")	1	4
3		1025045	Clamp, Mounting	1	1
4		1027089	Screw, Socket Head Cap (#10-24 x 1/2")	1	1
5		1026273	Spacer, Split (3/8" I.D.)	1	1
6	A	1108012	Hardware, Dual/Compact Joystick Clamp Mounting	1	1
7		1027095	Plug Button, Black (7/8")	1	1
8		1027274	Lock, Adjustment (Black)	1	1
9		1025245	Bracket, Upright -Right	1	1
10		1044918	Joystick Tube	1	1
11		1026298	Screws with Washers (#10 x 7/8")	2	1
11		1076284	Screw w/ washer (#10 x 7/8")	1	2
12	B,D	1044917	Hardware, Rear Cane Mount (1673/RCM)	1	1
	C	1038638	Joystick, MKIV Dual/Compact	1	1
	E,F	1020818	Switch, Red Flex Ribbon (Tape) Reset	1	1
	F,G	1123276	Kit, Switch, Black Egg Reset, with Hook/Loop Adhesive Back Fastener & Attaching Screws (EGSBLK)	1	1

NOTE: A - Includes items 1-5
 B - Includes items 7-11
 C - See pictorial for reference
 D - 1673 Rear Cane Mount
 E - Not Shown
 F - Before 5/24/04
 G - Not Shown. After 5/23/04 the Egg Reset Switch replaced the Red Flex Ribbon (Tape) Reset Switch

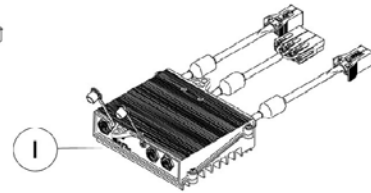
MKIV Controllers, Harness, Programmer and Hardware Before 2/15/03



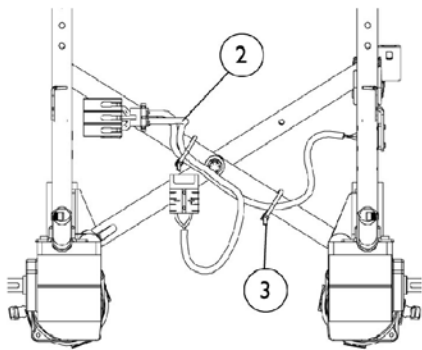
MKIV RII LP Controller
R32 / R32LX / R50LX



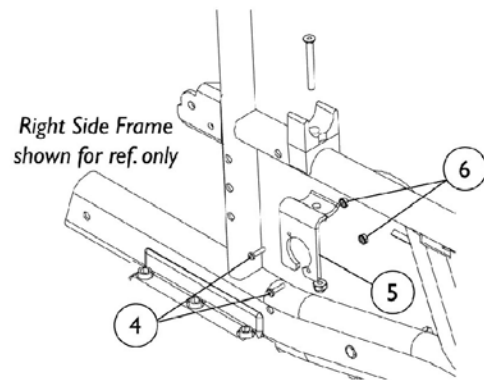
MKIV RII Controller
R51 / R51LX / R51LXP



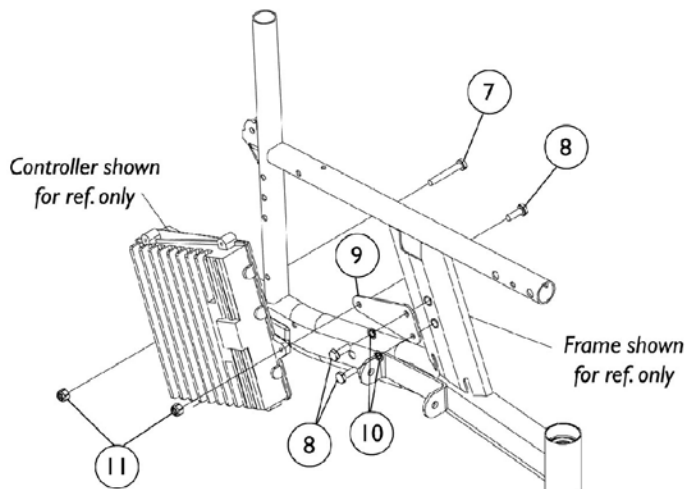
MKIV Controller
R51LXP (Optional)



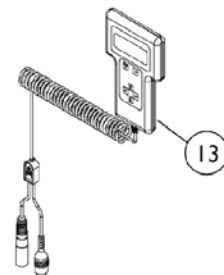
MKIV Controller Harness
R51LXP (Optional)



MKIV Controller Harness Hardware
R51LXP (Optional)



Controller Mounting Hardware



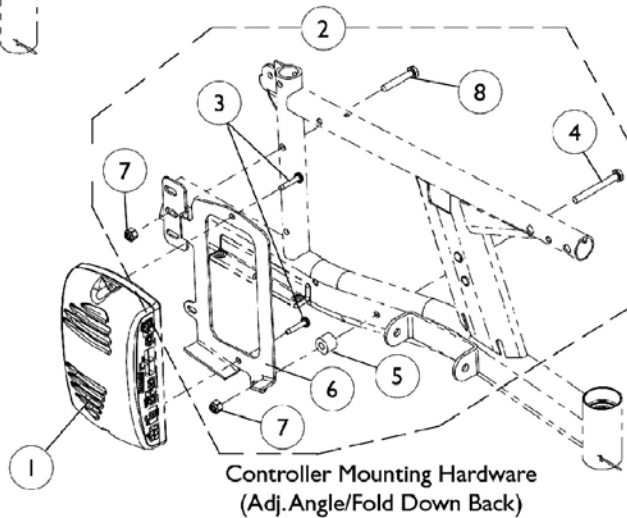
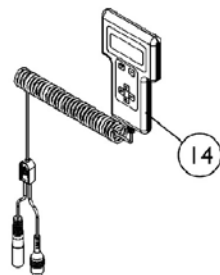
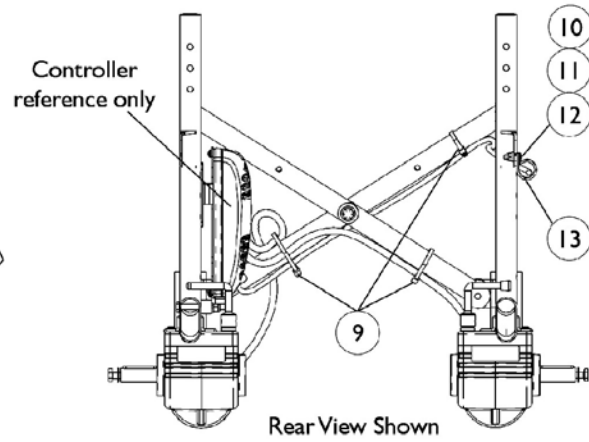
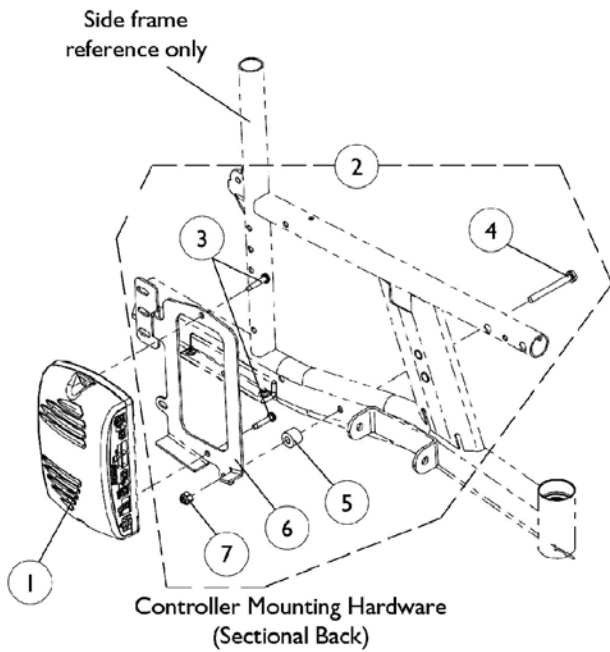
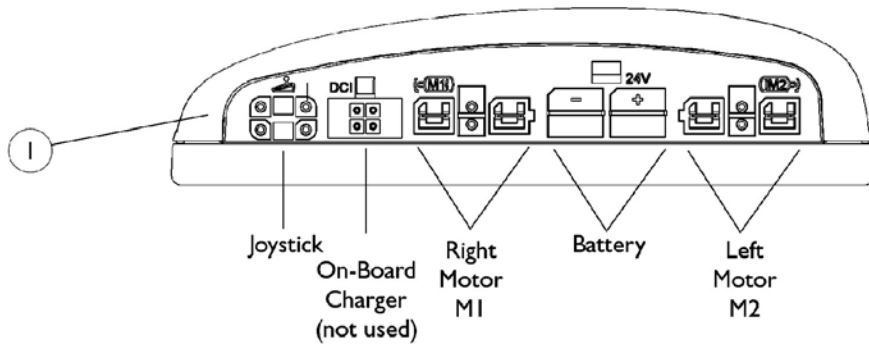
MKIV Controllers, Harness, Programmer and Hardware Before 2/15/03

Item Number	Note	Part Number	Description	Quantity Per	
				Package	Assembly
1	D	1095261	Controller	1	1
1	E	1092603	Controller MKIV RII	1	1
1	F	1105707	Controller, MKIV Quad Pulse	1	1
2	A	1108623	Wiring Harness Controller	1	1
3		98007X005	Cable Tie (11-1/2" Long)	1	2
4		7930318	Screw, Phillips Pan Head (#4-40 x 1/2")	25	2
5		1053837	Bracket, Charger Connector	1	1
6		P0870X000	Nut, Hex Keps (#4-40)	1	2
7		1024793	Screw, Hex Head (1/4-20 x 1-3/4")	1	1
8		7930326	Screw, Hex Head (1/4-20 x 3/4")	25	3
9		1107670	Bracket, Controller Mounting, Black - Adult	1	1
9		1107669	Bracket, Controller Mounting, Black - Hemi	1	1
10		1026108	Lockwasher (1/4 x 15/32 x 1/64")	1	2
11		7930333	Locknut (1/4-20)	25	2
	B,C	1106322	Controller Mounting Hardware Adult	1	1
	B,C	1106321	Controller Mounting Hardware Hemi	1	1
12	G	1020818	Switch, Red Flex Ribbon (Tape) Reset	1	1
12	H	1123276	Kit, Switch, Black Egg Reset, with Hook/Loop Adhesive Back Fastener & Attaching Screws (EGSBLK)	1	1
13		1109091	Programmer, Remote	1	1
	C	1058491-NLA	Connector Boot, Wire	1	1
	C	1095204	Cable, Virtual Service Charger/Modem	1	1

NOTE: A - Includes items 2-6
 B - Includes items 7-11
 C - Not Shown.
 D - MKIV RII LP (R32, R32LX, and R50LX)
 E - MKIV RII (R51, R51LX, and R51LXP)
 F - MKIV Quad Pulse (R51LXP)(Optional)
 G - Before 5/24/04
 H - Not Shown. After 5/23/04 the Egg Reset Switch replaced the Red Flex Ribbon (Tape) Reset Switch

MK5 Controllers, Programmer and Hardware

After 2/14/03



MK5 Controllers, Programmer and Hardware After 2/14/03

Item Number	Note	Part Number	Description	Quantity Per	
				Package	Assembly
1	A	1109530	Controller, MK5 NX	1	1
1	B	1109531	Controller, MK5 NX-LP	1	1
2	C,F	1115360-NLA	MK5 Controller Mounting Hardware, Sectional Back	1	1
2	D	1115361	MK5 Controller Mounting Hardware, Adj. Angle Fold Down Back	1	1
3		1113439	Screw, Phillips Pan Head Tap (#10-32 x 1")	1	2
4		1026154	Screw, Hex Head (1/4-20 x 2-1/4")	1	1
5		1112992	Spacer (5/8 x 1/4 x 1/2")	1	1
6		1112989	Bracket, MK5 Controller Mounting	1	1
7	E	1025736	Locknut (1/4-20)	1	1
8		1070759	Screw, Hex Head (1/4-20 x 1-1/2")	1	1
9		1095502	Package, Cable Ties (11-1/2" Long)	10	3
10		1025716	Screw, Phillips Pan Head (#10-32 x 11/16")	1	1
11		1025731	Locknut (#10-32)	1	1
12		1026034	Washer, Nylon (3/16 x 7/16 x 1/8")	1	1
13		50000X403	Clamp, (Black) Plastic	1	1
14		1109091	Programmer, Remote	1	1
NOTE: A - For R51, R51LX and R51LXP models B - For R32, R32LX, R50LX models C - Includes items 3-7 D - Includes items 3-8 E - Adj. angle/fold down back takes 2 in quantity F - This part is no longer available. Please use part number 1115361 as a direct replacement.					

Accessories

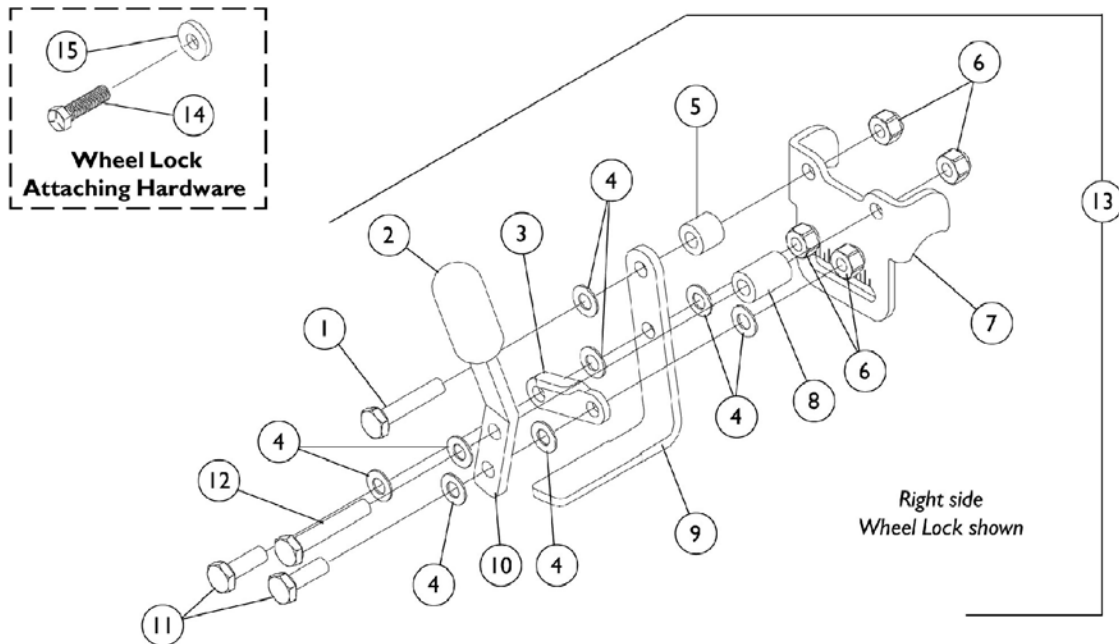
Solid Seat Inserts

Chair Width x Depth	Upholstery Type Nylon See Note(s) A	Upholstery Type Vinyl See Note(s) A
14" x 16"	8881052557	8881052536
14" x 17"	8881052558	8881052537
14" x 18"	8881052559	8881052538
16" x 16"	8881052563	8881052542
16" x 17"	8881052564	8881052543
16" x 18"	8881052565	8881052544
18" x 16"	8881052569	8881052548
18" x 17"	8881052570	8881052549
18" x 18"	8881052571	8881052550
20" x 16"	8881052575	8881052554
20" x 17"	8881052576	8881052555
20" x 18"	8881052577	8881052556

NOTE: A - When ordering, please specify U240 for Nylon and U05 Black for Lightweight Vinyl Upholstery.

Accessories

Wheel Locks Before 2/15/03

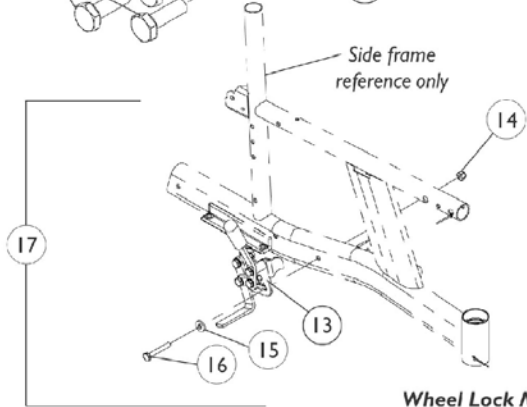
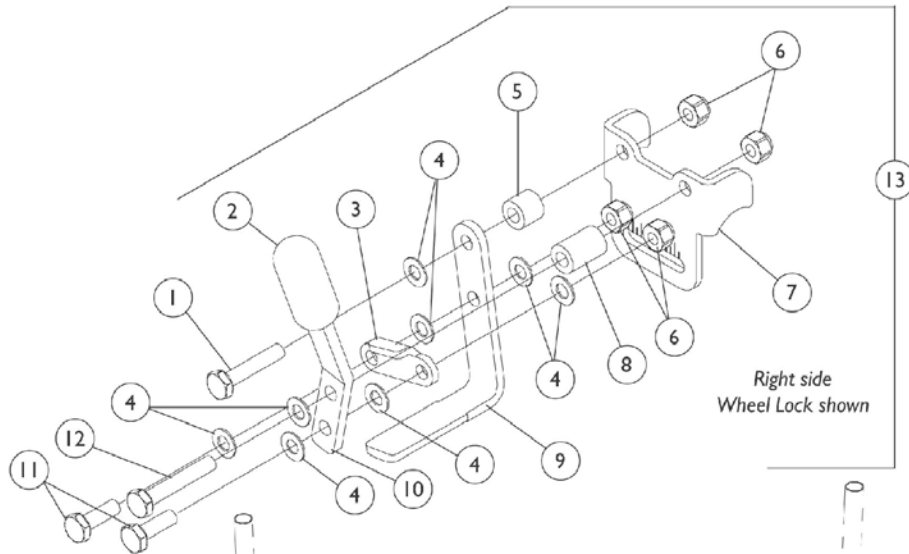


Item Number	Note	Part Number	Description	Quantity Per	
				Package	Assembly
1		1021406	Screw, Hex Head (1/4-20 x 1-1/4")	1	1
2		47376X024	Tip, Rubber Wheel Lock Handle, Black	1	1
3		1018733	Link	1	1
4		1026103	Washer, Nylon (1/4 x 1/2 x 1/32")	1	8
5		1106326	Spacer Nylon (17/64 x 1/2 x 7/16")	1	1
6		7930333	Locknut (1/4-20)	25	4
7		1057912	Bracket, Black	1	1
8		1106325	Spacer Nylon (17/64 x 1/2 x 3/4")	1	1
9		1021405	Shoe, Wheel Lock	1	1
10		1028414	Handle, Wheel Lock (Right/ Left)	1	1
11		7930326	Screw, Hex Head (1/4-20 x 3/4")	25	2
12		1030949	Screw, Hex Head (1/4-20 x 1-1/2")	1	1
13		1106300	Wheel Lock Assembly without Attaching Hardware Right	1	1
13		1106301	Wheel Lock Assembly without Attaching Hardware Left	1	1
14		7930326	Screw, Hex Head (1/4-20 x 3/4")	25	1
15		1018739	Washer (1/4 x 5/8 x 3/32")	1	1
	A	1108624-NLA	Wheel Locks with Attaching Hardware (pair)	2	1

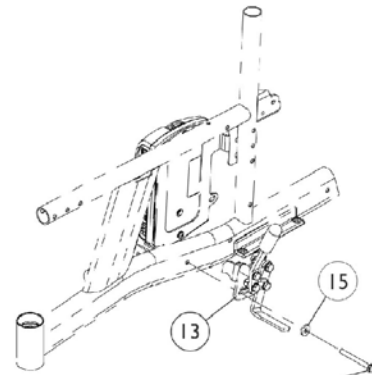
NOTE: A - Not Shown.

Accessories

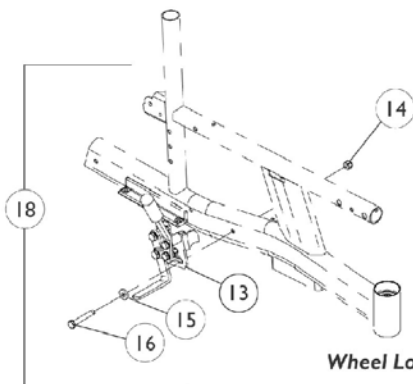
Wheel Locks After 2/14/03



**Wheel Lock Mounting Hardware
(Adult)**



NOTE: Assemble left wheel lock to side frame using the 1/4-20 x 2-1/4" hex head cap screw from the controller mounting hardware.



**Wheel Lock Mounting Hardware
(Hemi)**

Accessories

Wheel Locks After 2/14/03

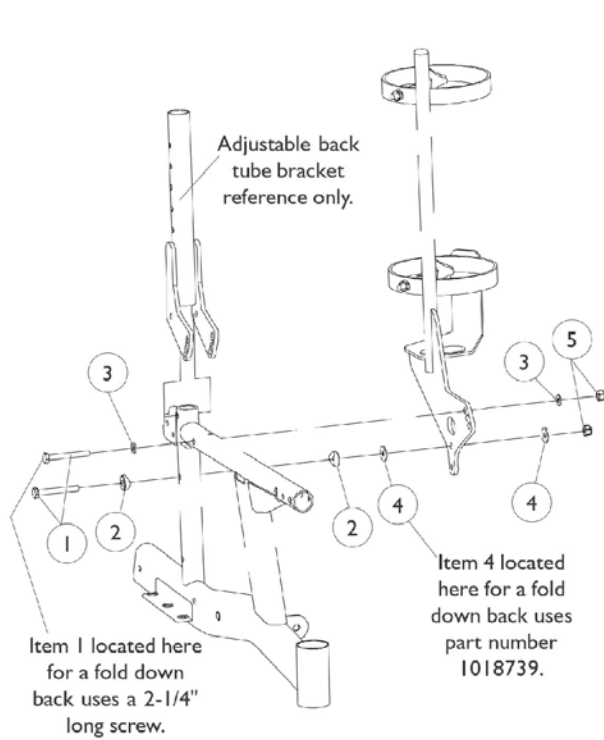
Item Number	Note	Part Number	Description	Quantity Per	
				Package	Assembly
1		1021406	Screw, Hex Head (1/4-20 x 1-1/4")	1	1
2		47376X024	Tip, Rubber Wheel Lock Handle, Black	1	1
3		1018733	Link	1	1
4		1026103	Washer, Nylon (1/4 x 1/2 x 1/32")	1	8
5		1106326	Spacer Nylon (17/64 x 1/2 x 7/16")	1	1
6		7930333	Locknut (1/4-20)	25	4
7		1057912	Bracket, Black	1	1
8		1106325	Spacer Nylon (17/64 x 1/2 x 3/4")	1	1
9		1021405	Shoe, Wheel Lock	1	1
10		1028414	Handle, Wheel Lock (Right/ Left)	1	1
11		7930326	Screw, Hex Head (1/4-20 x 3/4")	25	2
12		1030949	Screw, Hex Head (1/4-20 x 1-1/2")	1	1
13	A	1106300	Wheel Lock Assembly without Attaching Hardware Right	1	1
13	A	1106301	Wheel Lock Assembly without Attaching Hardware Left	1	1
14	C	1025736	Locknut (1/4-20)	1	1
15		1018739	Washer (1/4 x 5/8 x 3/32")	1	2
16	C	1037610	Screw, Hex Head (1/4-20 x 1-5/8")	1	1
17	B	1115552	Wheel Lock with Attaching Hardware, Adult	2	1
18	B,C	1115553	Wheel Lock with Attaching Hardware, Hemi	2	1
	D,E	1116397	Wheel Lock Attaching Hardware	2	1
NOTE: A - Includes items 1-12 B - Includes items 13-16 C - Hemi frame mounting hardware includes quantity of 2 each for items 14 and 16 D - Not Shown E - Includes 2 each of items 14, 15 and 16					

Accessories Miscellaneous

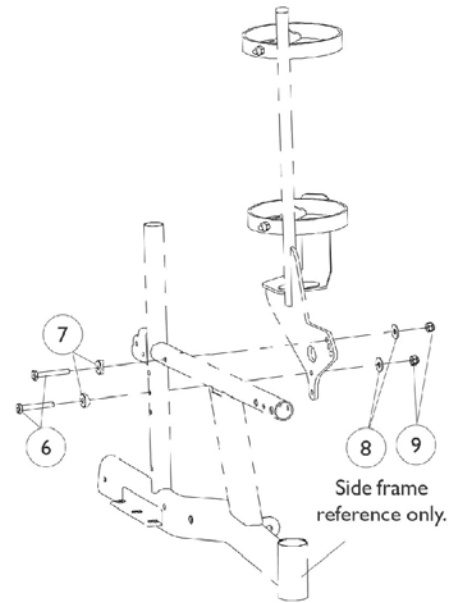
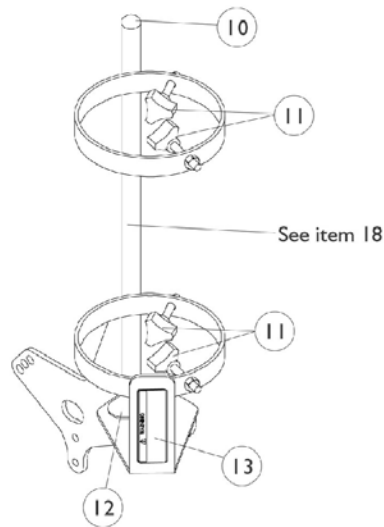
Part Number	Description	Quantity per Package	Quantity per Assembly
1004310 See Note(s) A	Positioning Strap, Seat/Chest w/ Auto Style Push Button Buckle (Eyelet to Eyelet Length 45")	1	1
1034625 See Note(s) B	Positioning Strap, Seat/Chest w/ Auto Style Push Button Buckle (Eyelet to Eyelet Length 61")	1	1
1034625. See Note(s) A	Positioning Strap, Seat/Chest w/ Airline Style Buckle (Eyelet to Eyelet Length 45")	1	1
1034752 See Note(s) B	Positioning Strap, Seat/Chest w/ Airline Style Buckle (Eyelet to Eyelet Length 62")	1	1
1034744 See Note(s) A	Positioning Strap, Seat/Chest w/ Hook & Loop Style Buckle (Eyelet to Eyelet Length 45")	1	1
1034745 See Note(s) B	Positioning Strap, Seat/Chest w/ Hook & Loop Style Buckle (Eyelet to Eyelet Length 61")	1	1
40176X010	Tire Pump	1	1
NOTE: A - 14-18" Wide B - 20" Wide			

Accessories

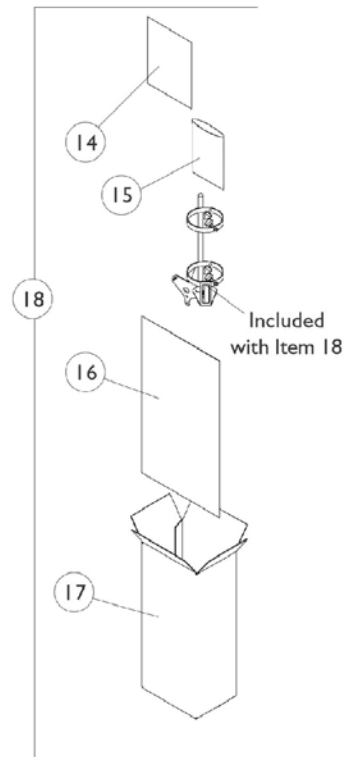
Oxygen Holder Assembly



Oxygen Holder Mounting Hardware
(For Adjustable Angle and Fold Down Back)



Oxygen Holder Mounting Hardware
(For Sectional Back)



Accessories

Oxygen Holder Assembly

Item Number	Note	Part Number	Description	Quantity Per	
				Package	Assembly
1	A	1024796	Screw, Hex Head (1/4-20 x 2")	1	2
1	B	1026154	Screw, Hex Head (1/4-20 x 2-1/4")	1	1
2		1026099	Spacer, Coved (1/4 x 11/16 x 1/2")	1	2
3		1026907	Washer (1/4 x 1/2 x 1/16")	1	8
4	A	1026900	Washer (1/4 x 23/32 x 1/16")	1	2
4	B	1018739	Washer (1/4 x 5/8 x 3/32")	1	1
5		1025736	Locknut (1/4-20)	1	3
6		1024793	Screw, Hex Head (1/4-20 x 1-3/4")	1	2
7		1026099	Spacer, Coved (1/4 x 11/16 x 1/2")	1	2
8		1026900	Washer (1/4 x 23/32 x 1/16")	1	2
9		1025736	Locknut (1/4-20)	1	2
10		1018133	Plug Button, Black (5/8")	1	1
11		1027684	Knob, Clamping (Black)	1	4
12		1072002	Pad, Non Skid	1	1
13		1080866	Decal, Oxygen Warning - English	1	1
14		1110557	Instruction Sheet Oxygen Holder Assembly	1	1
15		1021148	Bag, Poly Zip-Lip (6" Wide x 8-3/4" Long)	1	1
16		1021866	Bag, Poly (15" Wide x 26" Long)	1	1
17		1097276	Carton, Shipper	1	1
18	C	1110404	Oxygen Holder Assembly Kit with Instruction Sheet	1	1

NOTE: A - Fold down back uses 1
 B - Fold down back only
 C - Includes items 1-17

Power Wheelchair Tool Kit

1



Multimeter with Leads



Grounding Wire



1" Test Leads



Protractor/Angle Locator



Invacare Pen Light



Invacare Tape Measure



Invacare Phillips/Flat Head Screwdriver



MKIV Programmer



Virtual Service Charger Cable

Power Wheelchair Tool Kit

Item Number	Note	Part Number	Description	Quantity Per	
				Package	Assembly
1		1125222	Kit, Power Wheelchair Tool Includes: 1 ea. Multimeter with Leads 1 ea. Locator, Protractor/Angle Magnetic Base 1 ea. Instructions, MKIV Programmer 1 ea. Wire, Grounding with Hand Strap and Clip 1 ea. Leads, 1" Test 1 ea. Light, Pen with Invacare Logo 1 ea. Tape Measure, Compact with Invacare Logo 1 ea. Screwdriver, Pen-Size Phillips/Flat Head 1 ea. Cable, Virtual Service Charger/Modem	1	1

Invacare Corporation

www.invacare.com



Yes, you can.™

One Invacare Way
Elyria, Oh USA
44036-2125
800-333-6900

Technical Support
800-832-4707
Customer Service
800-333-6900

Customer Service
800-333-6900

©2008 Invacare Corporation. Elyria, Ohio.
All rights reserved. Trademarks are
identified by the symbols™ and®. All
trademarks are owned by or licensed to
Invacare Corporation unless otherwise
noted. (Revised 05/21/08)

Form No. 01-220