

**Lynx L-3X  
Scooter Series**



# Parts Catalog Usage Guide

The information contained in this document is subject to change without notice. This catalog contains service parts for Form No. 07-080. If you have any questions regarding this catalog, please contact one of our Customer Service Representatives.

**For Customer Service Support Call:**

**1-800-333-6900**

**For Faxed In Orders Call:**

**1-800-678-4682 or**

**1-440-366-0709**

**For Technical Service Call:**

**1-800-832-4707**

**Literature Can Be Found at:**

**www.invacare.com or**

**1-800-828-6272**

## SYMBOL DEFINITION

Throughout this catalog you will notice letters to draw your attention to specific footnotes which are located at the bottom of the page or below specified charts.

Examples:

A,B,C etc. = Special Comments

NOTE: = General information pertaining to that specific page

NLA = No Longer Available

## HARDWARE MEASUREMENTS

The measurements for the hardware will be listed as follows:

Screws, Bolts Diameter X Thread Count/Pitch X Length

Washers Inside Diameter X Outside Diameter X Thickness

Spacers Inside Diameter X Outside Diameter X Length

For your convenience, we have supplied an area for you to list your Invacare Representatives.

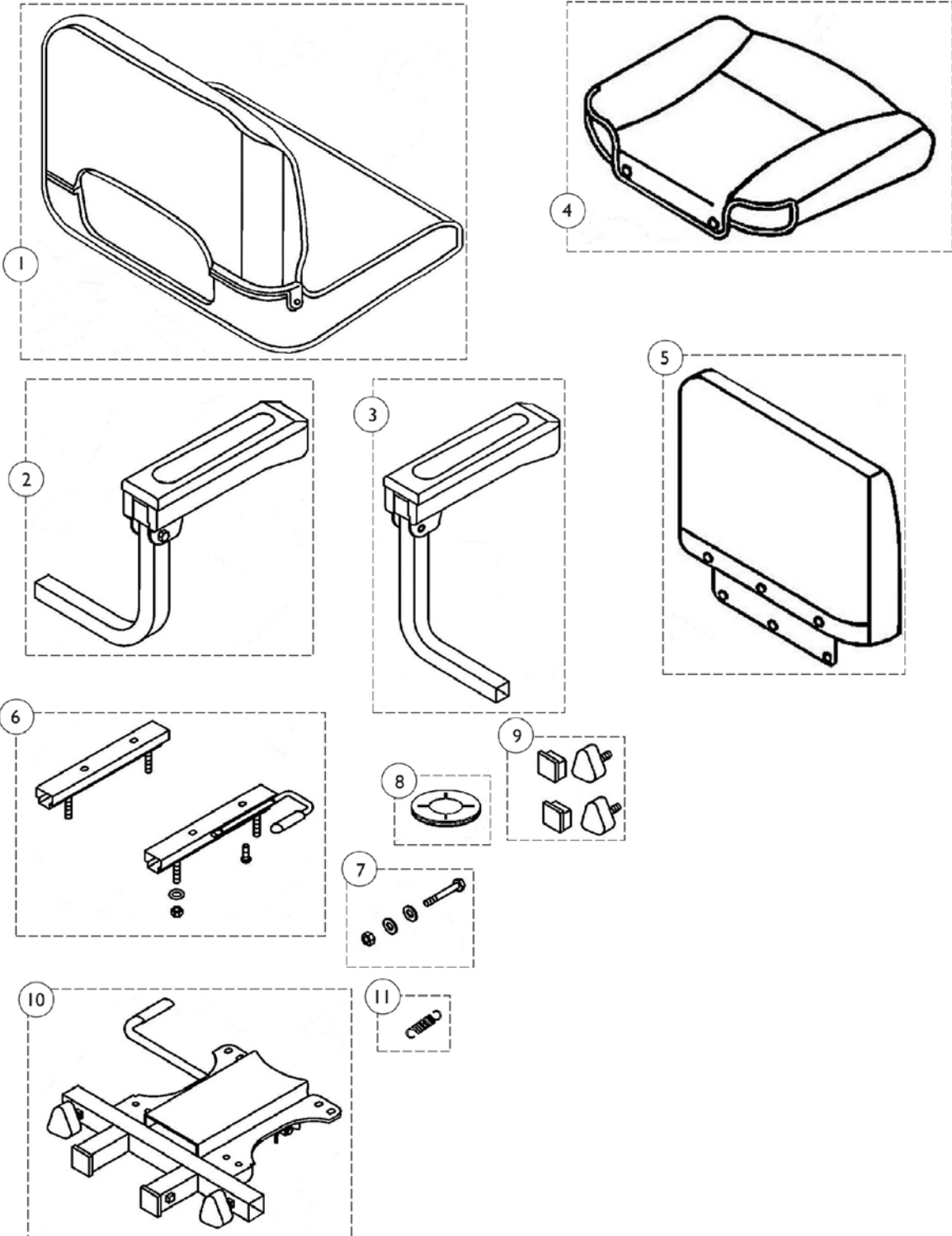
Name	Phone Numbers

©2007 Invacare Corporation. Elyria, Ohio. Invacare, the Medallion Design and Yes, you can. are registered trademarks and Lynx is a trademark of Invacare Corporation.

# TABLE of CONTENTS

<b>Description</b>	<b>Page Number</b>
Chargers, Controller & Cable Cover .....	14
Floor Mats, Main and Rear Shrouds .....	5
Lower Tiller Assembly .....	10
Motor, Transaxle & Rear Wheel .....	16
Seat and Arms .....	3
Tiller Maintenance .....	7
Wire Harnesses & Battery Straps .....	12

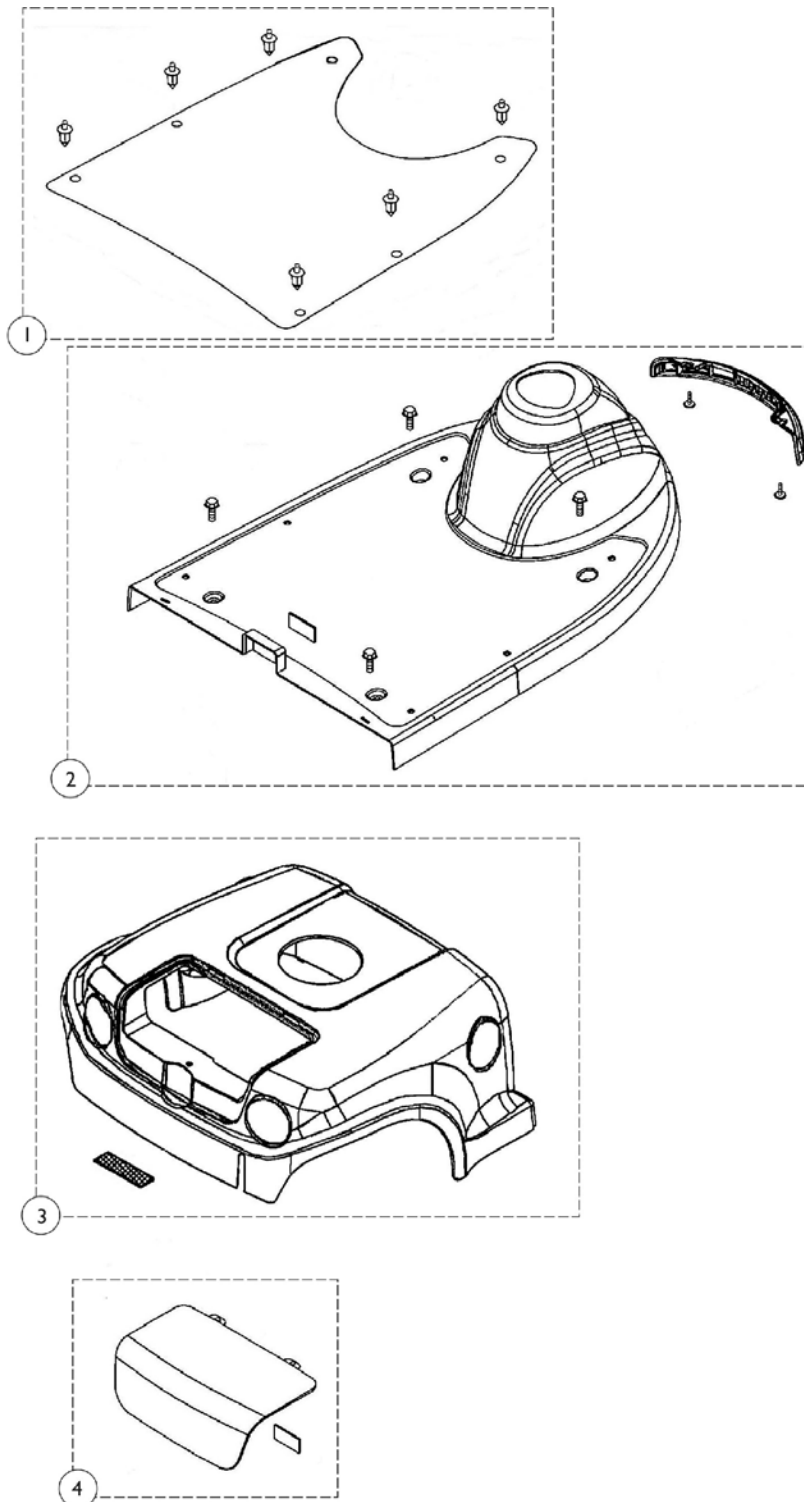
# Seat and Arms



## Seat and Arms

Item Number	Note	Part Number	Description	Quantity Per	
				Package	Assembly
1		1148842	Seat without Arms	1	1
2		1148843	Arm with Pad - Right	1	1
3		1148844	Arm with Pad - Left	1	1
4		1148847	Cover, Seat	1	1
5		1148848	Cover, Backrest	1	1
6		1148845	Kit, Seat Slide	1	1
7		1148850	Seat Post Hardware Includes: (1) ea. Nylon Nut, (1) ea. Bolt, & (2) ea. Washers.	1	1
8		1148852	Liner, Shroud/Guide Seat	1	1
9		1148849	Kit, Plugs and Knobs Includes: (2) ea. Screws & (2) ea. Plugs.	1	1
10		1148846	Seat Bracket Assembly	1	1
11		1144812	Spring, Seat Lever	1	1

# Floor Mats, Main and Rear Shrouds

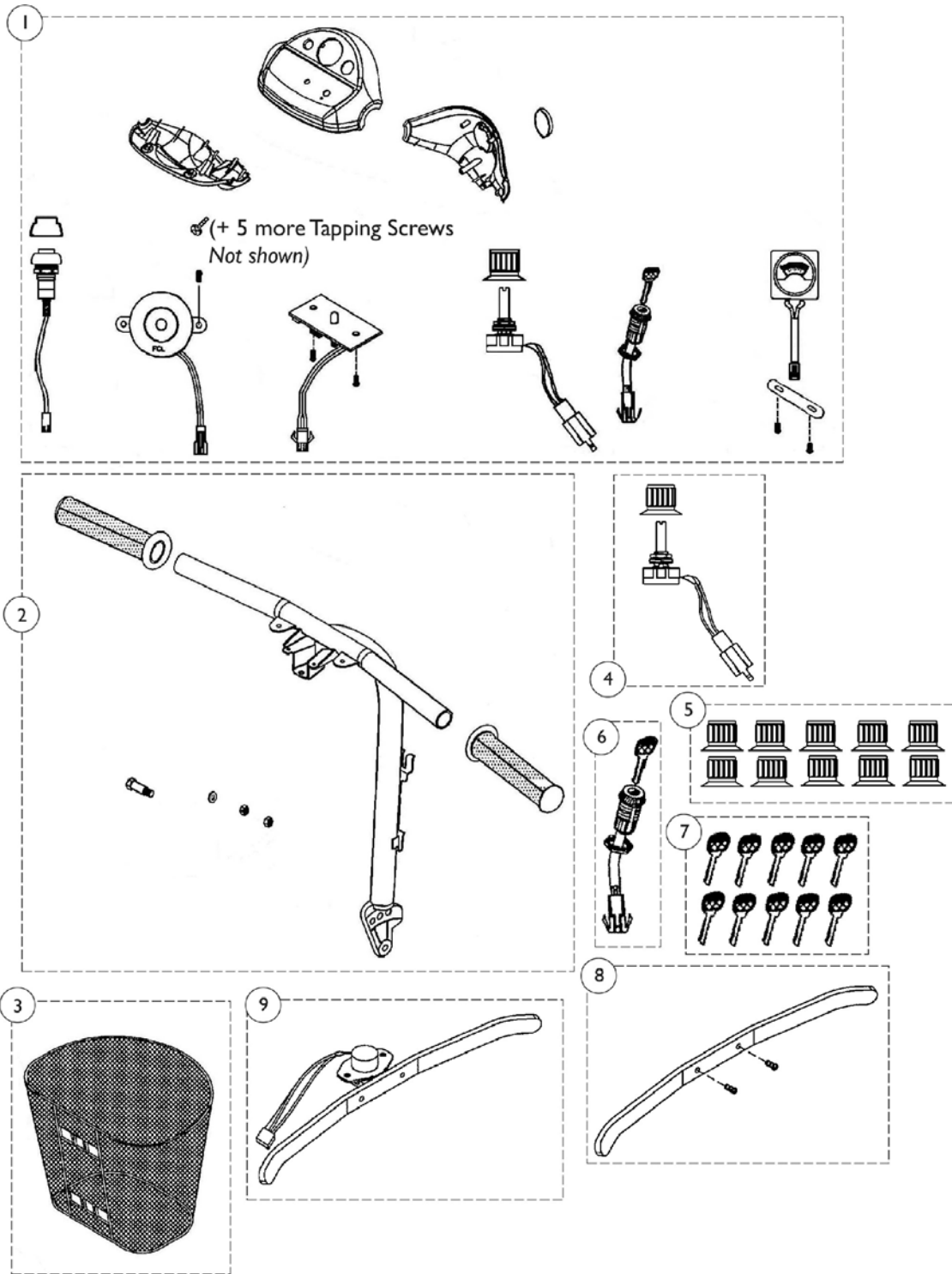


## Floor Mats, Main and Rear Shrouds

Item Number	Note	Part Number	Description	Quantity Per	
				Package	Assembly
1	A	1148851	Kit, Floor Mat w/ Hardware Includes: (1) ea. Rubber Pad and (6) ea. Push Rivets.	1	1
2		1144816	Pkg, Push Rivets (Pkg of 25)	25	1
2		1148855	Kit, Floor Shroud - Red Includes: (1) ea. 3-D Invacare Logo, (1) ea. Front Shroud - Red, (4) ea. Shield Bolts, (1) ea. Front Bumper Cover, (2) ea. Bolt, (1) ea. Hook & Loop, (1) ea. Weight Capacity Decal, and (1) ea. Warning Label.	1	1
2		1148856	Kit, Floor Shroud - Blue Includes: (1) ea. 3-D Invacare Logo, (1) ea. Front Shroud - Blue, (4) ea. Shield Bolts, (1) ea. Front Bumper Cover, (2) ea. Bolt, (1) ea. Hook & Loop, (1) ea. Weight Capacity Decal, and (1) ea. Warning Label.	1	1
3		1148857	Kit, Rear Shroud - Red Includes: (1) ea. Drive/Push Decal, (1) ea. Rear Shroud - Red, (1) ea. Hook & Loop, and (2) ea. Lynx Side Logo Decals.	1	1
3		1148858	Kit, Rear Shroud - Blue Includes: (1) ea. Drive/Push Decal, (1) ea. Rear Shroud - Blue, (1) ea. Hook & Loop, and (2) ea. Lynx Side Logo Decals.	1	1
4		1148853	Cover, Shroud Tail w/ Decal - Red	1	1
4		1148854	Cover, Shroud Tail w/ Decal - Blue	1	1

NOTE: A - Not Shown

# Tiller Maintenance





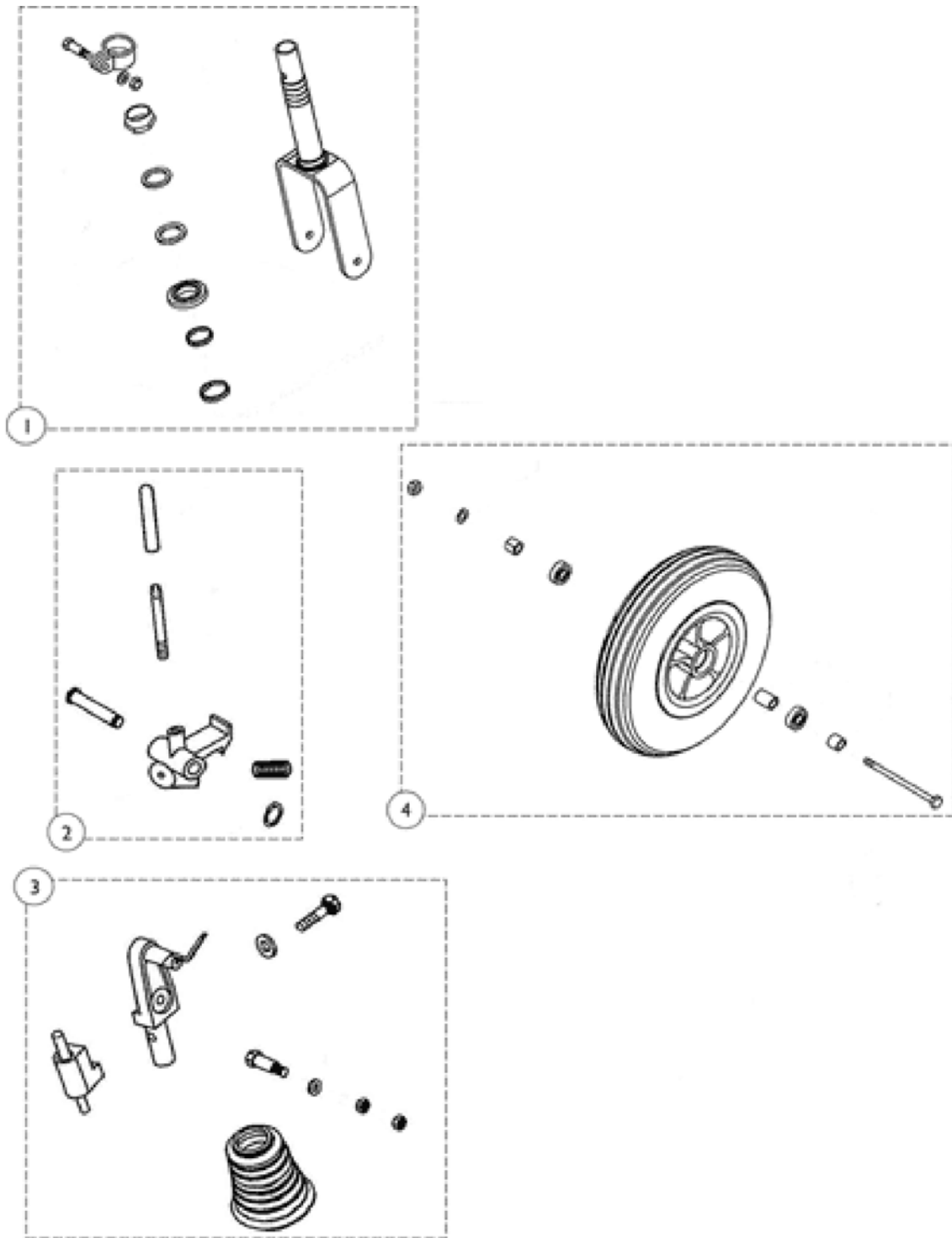
## Tiller Maintenance

Item Number	Note	Part Number	Description	Quantity Per	
				Package	Assembly
1		1148838	Kit, Tiller Cover - Red Includes: (1) ea. Upper Steering Cover, (1) ea. Front Steering Cover - Red, (1) ea. Rear Steering Cover - Red, (1) ea. Faceplate Decal, (1) ea. Reflector, (6) ea. Tapping Screws, (1) ea. Volt Meter, (2) ea. Screw, (1) ea. Speed Pot, (1) ea. Speed Control Knob, (1) ea. Ignition Switch w/ Key, (1) ea. Horn speaker, (2) ea. Screw, (1) ea. 2-Pole Switch Complete, (1) ea. Splash Cap Complete, (1) ea. Meter PC Board, and (2) ea. Screws.	1	1
1		1148839	Kit, Tiller Cover - Blue Includes: (1) ea. Upper Steering Cover, (1) ea. Front Steering Cover - Blue, (1) ea. Rear Steering Cover - Blue, (1) ea. Faceplate Decal, (1) ea. Reflector, (6) ea. Tapping Screws, (1) ea. Volt Meter, (2) ea. Screw, (1) ea. Speed Pot, (1) ea. Speed Control Knob, (1) ea. Ignition Switch w/ Key, (1) ea. Horn speaker, (2) ea. Screw, (1) ea. 2-Pole Switch Complete, (1) ea. Splash Cap Complete, (1) ea. Meter PC Board, and (2) ea. Screws.	1	1
2		1148841	Kit, Steering Bar Includes: (1) ea. Steering bar, (2) ea. Hand Grips, (1) ea. Plain Washer, (2) ea. Nylon Washer, and (1) ea. Bolt.	1	1
3		1148861	Basket	1	1
4		1144791	Kit, Speed Pot Includes: (1) ea. Speed Control Knob and (1) ea. Speed Pot - 30 K Ohms	1	1
5		1144792	Pkg, Speed Control Knobs (Pkg of 10)	10	1

## Tiller Maintenance

Item Number	Note	Part Number	Description	Quantity Per	
				Package	Assembly
6		1144793	Ignition Switch w/Key	1	1
7		1144794	Pkg, Ignition Keys (Pkg of 10)	10	1
8		1144795	Throttle Pot & Lever Assembly	1	1
9		1144796	Throttle Lever w/Hardware	1	1

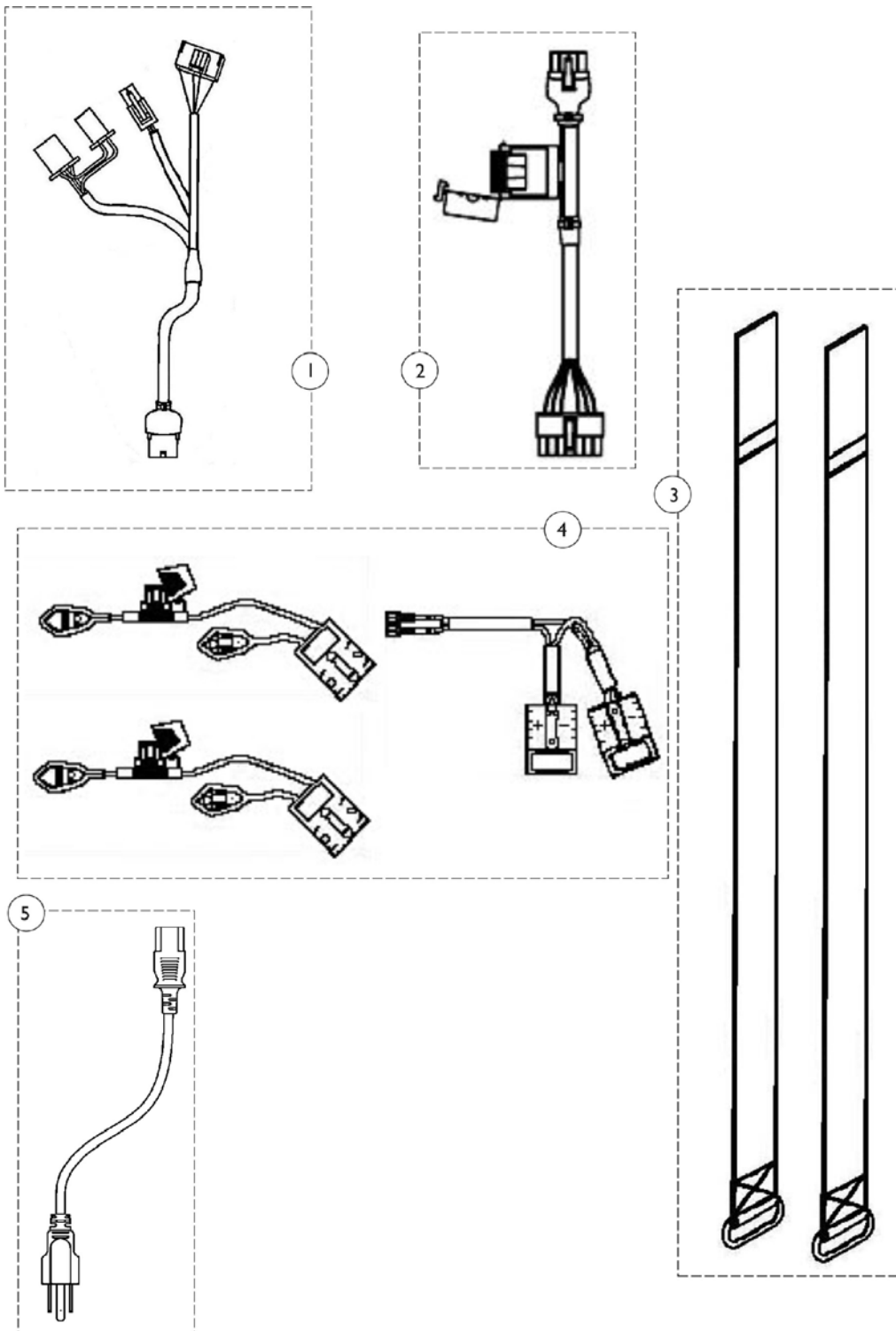
# Lower Tiller Assembly



## Lower Tiller Assembly

Item Number	Note	Part Number	Description	Quantity Per	
				Package	Assembly
1		1148840	Kit, Fork w/ Hardware Includes: (1) ea. Fork, (1) ea. Padlock, (1) ea. Steering Nut, (1) ea. Plain Washer, (1) ea. Tooth Washer, (1) ea. Steering Race, and (2) ea. Set Bearing.	1	1
2		1148836	Kit, Frame Connection Included: (1) ea. Frame Hook, (1) ea. Hook Pin, (1) ea. C-Ring, (1) ea. Spring, (1) ea. Lever, & (1) ea. Lever Cap.	1	1
3		1148837	Kit, Lower Steering Hardware Includes: (1) ea. Steering Adj., (1) ea. Plain Washer, (2) ea. Nylon Nut, (1) ea. Bolt, (1) ea. Joint Bolt, (1) ea. Washer, & (1) ea. Guide Complete.	1	1
4		1148859	Kit, Front Wheel Assembly Includes: (2) ea. Nylon Nuts, (1) ea. Front Wheel Assembly, (1) ea. Plain Washer, (1) ea. Bolt, & (2) ea. Spacers.	1	1

# Wire Harnesses & Battery Straps

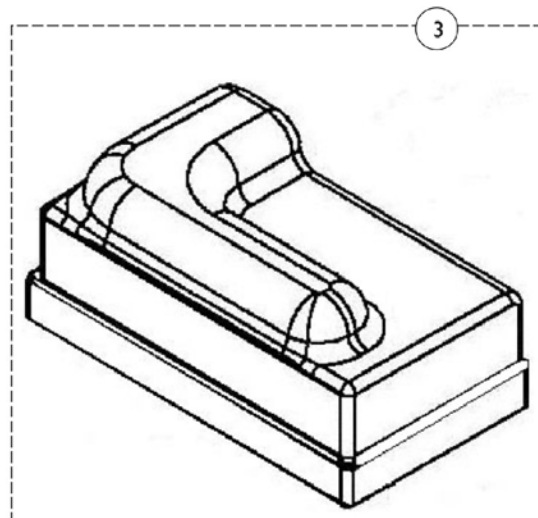
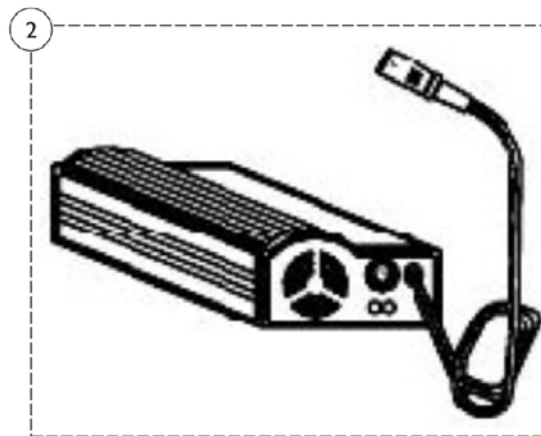
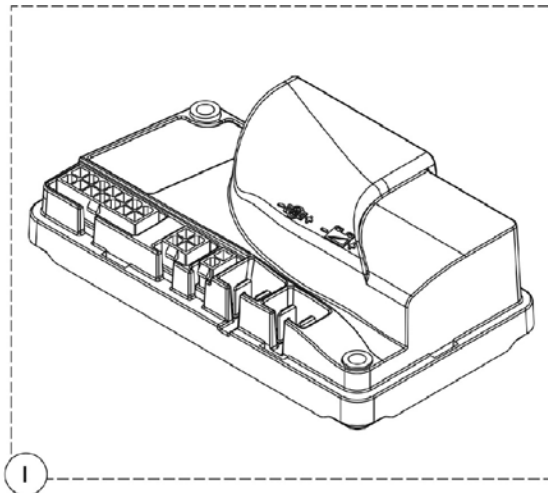


## Wire Harnesses & Battery Straps

Item Number	Note	Part Number	Description	Quantity Per	
				Package	Assembly
1		1148831	Harness, Front Wiring	1	1
2		1148832	Kit, Rear Wiring Harness	1	1
3		1148834	Battery Straps	1	1
4		1148833	Kit, Battery Wiring	1	1
5		1144798	Cable, Charger	1	1
	A	1144835	Fuse, 3 AMP	1	1
	A	1144836	Fuse, 5 AMP	1	1

NOTE: A - Not shown

# Chargers, Controller & Cable Cover



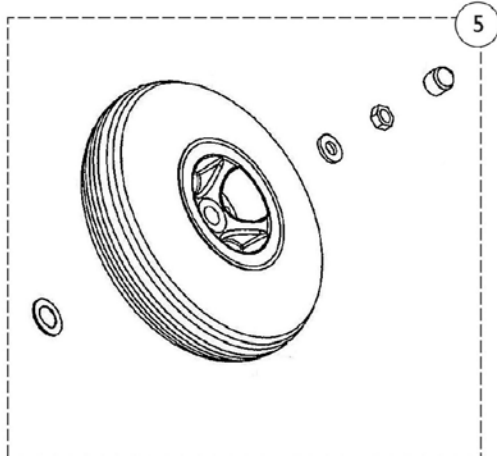
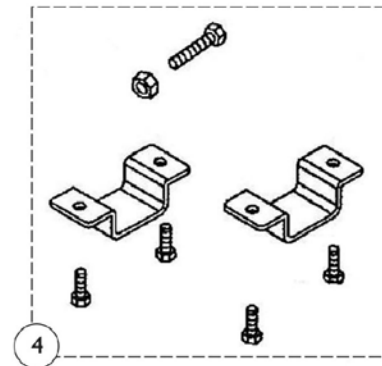
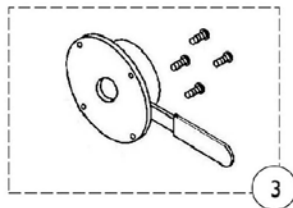
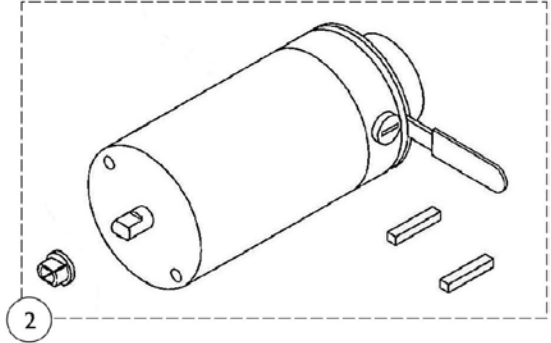
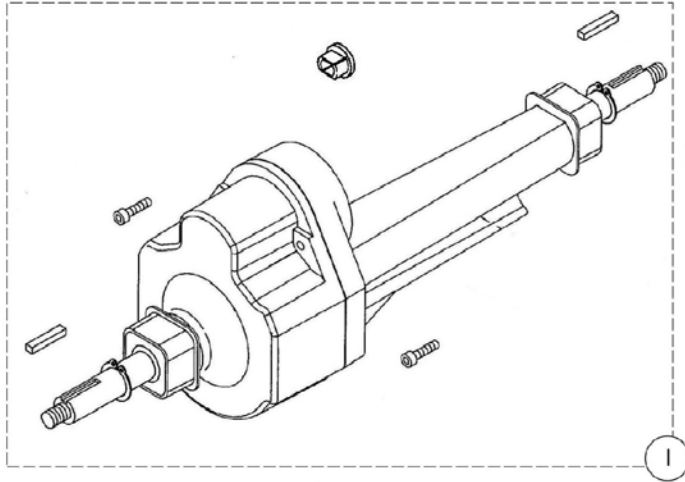
## Chargers, Controller & Cable Cover

Item Number	Note	Part Number	Description	Quantity Per	
				Package	Assembly
1	A	1144573	Controller R-Series (DR-90)	1	1
2		1148830	Charger, 5 AMP Off-Board 24 DC	1	1
3		1148829	Cover, Plastic Cable	1	1
4		1148828	Kit, Controller R-Series (DR-90) w/ Hardware Includes: (1) ea. Controller and (2) ea. Bolt.	1	1

NOTE: A - The controller may or may not reflect the true look of the controller supplied.



# Motor, Transaxle & Rear Wheel



# Motor, Transaxle & Rear Wheel

## Motor, Transaxle & Rear Wheel

Item Number	Note	Part Number	Description	Quantity Per	
				Package	Assembly
1		1148824	Kit, Transaxle Includes: (1) ea. Differential, (2) ea. Keys, (2) ea. Bolts, (1) ea. Guide, and (1) ea. Decal, Inspection.	1	1
2		1148825	Kit, Motor with Brake Includes: (1) ea. Motor Assembly, (1) ea. Guide, and (2) ea. Keys.	1	1
3		1148827	Kit, Brake with Hardware Includes: (1) ea. Brake and (4) ea. Screw M4 x 8L.	1	1
4		1148835	Kit, Transaxle Hardware Includes (2) ea. Holder, Differential, (4) ea. Bolt M6 x 12L, (1) ea. Bolt M8 x 25L, and (1) ea. Nut.	1	1
5		1148860	Kit, Rear Wheel Includes: (2) ea. Spacers. (1) ea. Rear Wheel, (1) ea. Plain Washer, (1) ea. Nylon Nut, and (1) ea. Cap Washer.	1	1

**Invacare Corporation**

[www.invacare.com](http://www.invacare.com)



Yes, you can.™

One Invacare Way  
Elyria, Oh USA  
44036-2125  
800-333-6900

Technical Support  
800-832-4707  
Florida Technical Support  
407-321-5630

Customer Service  
800-333-6900

©2007 Invacare Corporation. Elyria, Ohio.  
All rights reserved. Trademarks are  
identified by the symbols™ and®. All  
trademarks are owned by or licensed to  
Invacare Corporation unless otherwise  
noted. (Rev. 8/8/07)

Form No. 07-080