



NAME	MODEL NO.	COLOR
Murphy	LC11	Beige
	LC12	Ocean Blue
	LC13	Mauve
Fairview	LC21-1	Light Brown
	LC22-1	Blue
	LC23-1	Burgundy
	LC24-1	Green
Stanford	LC31	Toast
	LC32	Blue
	LC33	Mauve
	LC34	Green
Woodbriar	LC41	Beige
	LC42	Blue
	LC43	Mauve
	LC44	Green
Manchester	LC51-1	Chestnut Brown
	LC52-1	Midnight Blue
	LC53-1	Burgundy
	LC54-1	Evergreen
	LC55	Beige
	LC56	Black
	LC57	Burgundy
	LC58	Hunter Green
Jamestown	LC61	Navy
	LC62	Royal Blue
	LC63	Burgundy
	LC64	Hunter Green
New Yorker	LC75	Beige
	LC76	Green
	LC77	Burgundy
	LC78	Black
BellAire	LC85	Cocoa Brown
	LC86	Deep Blue
	LC87	Mahogany
	LC88	Forest Green

TECHNICAL SPECIFICATIONS

Voltage:	115 VAC
Frequency:	60 Hz
Power:	130 Watts
Duty Cycle:	Intermittent duty 2 min ON /18 min OFF
Weight Capacity:	350 lbs (160 kg)

NOTE: Inspect the chair for any damage, i.e., nicks, tears or frame damage. Check pendant and power cord for breakage or damage. If any of these conditions exist, do NOT attempt to use the chair. Contact distributor for further instruction.

SAFETY SUMMARY

The following recommendations are made for the safe installation and proper operation of the Invacare Lift-Out Chair:

GENERAL WARNINGS

DO NOT operate this equipment without first reading and understanding this instruction sheet. If you are unable to understand the Warnings, Cautions, and Instructions, contact a healthcare professional, dealer or technical personnel if applicable before attempting to use this equipment - otherwise injury or damage may result.

After ANY adjustments, repair or service and BEFORE use, make sure all attaching hardware is tightened securely.

DO NOT move the chair when occupied.

DO NOT sit on the ottoman. It is not designed as a seating area.

DO NOT stand on the ottoman when entering or exiting the chair. The chair WILL tip and bodily injury may occur.

Always leave chair in an upright (closed) position when not in use. **DO NOT** leave the chair in the elevated position.

DO NOT operate the seat lift movement of your chair with anyone seated on your lap or on the arms of the lift chair/power recliner.

The hand held pendant control is designed to be operated by the occupant only.

DO NOT allow children to play on or operate the chair. The ottoman folds down on closing; a child could sustain injury. Keep hands and feet clear of ottoman and scissors mechanism.

Ensure that legs and arms do not come in contact with moving parts of the chair. If it is necessary to retrieve items that may have fallen under the chair, make certain the chair is unplugged before proceeding.

When sitting on elevated chair, center your weight in the chair.

SAFETY SUMMARY (CONTINUED)

GENERAL WARNINGS

Exercise extreme caution if there is a power failure when chair is in fully reclined position. User should be aware that when the power fails the lift out chair will not operate and is advised to find assistance when exiting chair.

WEIGHT LIMITATION

The Lift-Out Chair can NOT be used by individuals weighing more than 350 lbs (160 kg.)

POSITIONING THE LIFT-OUT CHAIR

1. Make certain there is adequate room to operate your chair. With the chair in the closed (**upright**) position, there must be 18-inches (45 cm) of clearance between the top of the chair back and the wall. Nothing should obstruct the back or the ottoman as the chair reclines.
2. Remove the cardboard corner pads (used for shipping) from the bottom of the chair before use. Ensure all staples holding the cardboard corner pads are removed or not sticking up from the wood frame. This will alleviate any rubbing with the lift mechanism.

CAUTION

All staples holding the cardboard corner pads **MUST** be removed or not sticking up from the wood frame-otherwise injury or damage may result.

OPERATION (FIGURE 1)

*NOTE: Refer to the **GENERAL WARNINGS** in the **SAFETY SUMMARY** of this Instruction Sheet.*

NOTE: The chair's lift-out and power recliner is operated by a hand held pendant control. Depressing the lift button will raise the chair to a standing position. Depressing the recline button will lower the chair to a flat, reclined position. The chair will stop moving when the button is released.

CAUTION

DO NOT operate the chair in the recline mode without someone in the chair. This will cause unnecessary strain on the motor.

CAUTION (CONTINUED)

DO NOT operate the chair more than two (2) minutes every twenty (20) minutes (2 minutes ON/ 18 minutes OFF). If the chair is operated excessively, the protective thermal overload switch will shut off the motor. If this occurs, it may take several hours for the motor to cool down and reset the thermal overload switch. The chair will operate again once the motor has cooled off.

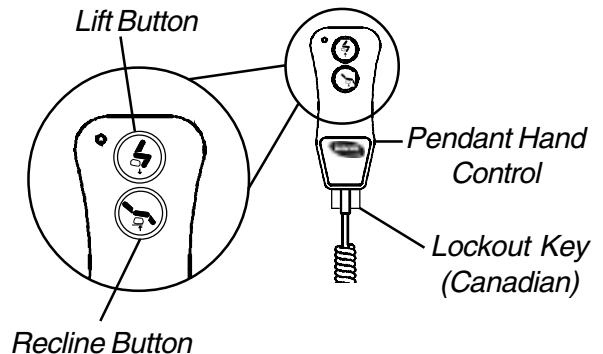


FIGURE 1 - OPERATION

Raising/Lowering The Chair To The Standing Position

*NOTE: Refer to the **GENERAL WARNINGS** in the **SAFETY SUMMARY** of this Instruction Sheet.*

WARNING

When sitting on the chair in the elevated position, center your weight in the chair. This chair is designed to stop automatically at its fully raised height. If you are a shorter person, raising the chair beyond your normal standing height may cause you to slide toward the front of the seat or possibly fall from the chair.

1. Perform one (1) of the following.
 - A. To raise the chair to the standing position, depress and hold the Lift Button until the chair is at the most comfortable position to enter or exit.
 - B. To lower the chair back to the seated position, depress and hold the Recline Button.

Reclining The Chair

1. Perform one (1) of the following.
 - A. To recline the chair, depress and hold the Recline Button until the chair has reclined to the desired position.
 - B. To raise the chair back to the seated position, depress and hold the Lift Button.

REPOSITIONING THE PENDANT HAND CONTROL (FIGURE 2)

*NOTE: Refer to the **GENERAL WARNINGS** in the **SAFETY SUMMARY** of this Instruction Sheet.*

NOTE: This procedure should only be performed by a qualified technician.

1. Place the chair into the seated position.
2. Unplug the motor power cord from the wall.
3. Remove the screws and cable clamps securing the pendant cable to the underside of the armrest.
4. Remove the screw and cable clamp securing the pendant cable to the back of the chair.
5. Roll the chair forward onto the ottoman and the front of the seat back.
6. Plug the motor power cord into the wall.
7. Press the pendant button in the recline direction slightly to produce sufficient slack in the flap of fabric to thread the pendant in through the flap.
8. Press the pendant button in the lift direction until the lift mechanism is fully raised.
9. Unplug the chair power cord from the wall.
10. Remove the screw and cable clamp from the side of the rear corner of the chair.
11. Remove the screw and cable clamp from the middle of the side of the chair.
12. Remove the cable tie securing the pendant cable to the lift frame.

NOTE: Do not remove the cable tie securing the pendant cable to the motor.

13. Pull the pendant cable to a spot 7-1/2-inches from the inside of the rear 1-inch square frame tube as shown in **DETAIL "A"** of **FIGURE 2**.
14. Secure the pendant cable to the lift frame with a cable tie at the point closest to the cable as shown in **DETAIL "B"** of **FIGURE 2**.

NOTE: There should be minimal slack in the cable between the motor and lift frame.

15. Secure the pendant cable to the middle of the side of the chair with a screw and cable clamp. As shown in **DETAIL "B"** of **FIGURE 2**.

NOTE: There should be minimal slack in the cable between the lift frame and cable clamp.

16. Pull the pendant cable tight along the side of the chair to the rear corner of the chair.
17. Secure the pendant cable to the side of the rear corner with no slack in the cable. As shown in **DETAIL "B"** of **FIGURE 2**.

18. Plug the chair power cord into the wall.

WARNING

DO NOT let the power cord get pinched, cut or trapped by the lift frame. Otherwise injury or damage may result.

19. Press the pendant button in the recline direction until the lift mechanism returns to the seating position and just makes contact with the wood chair frame.

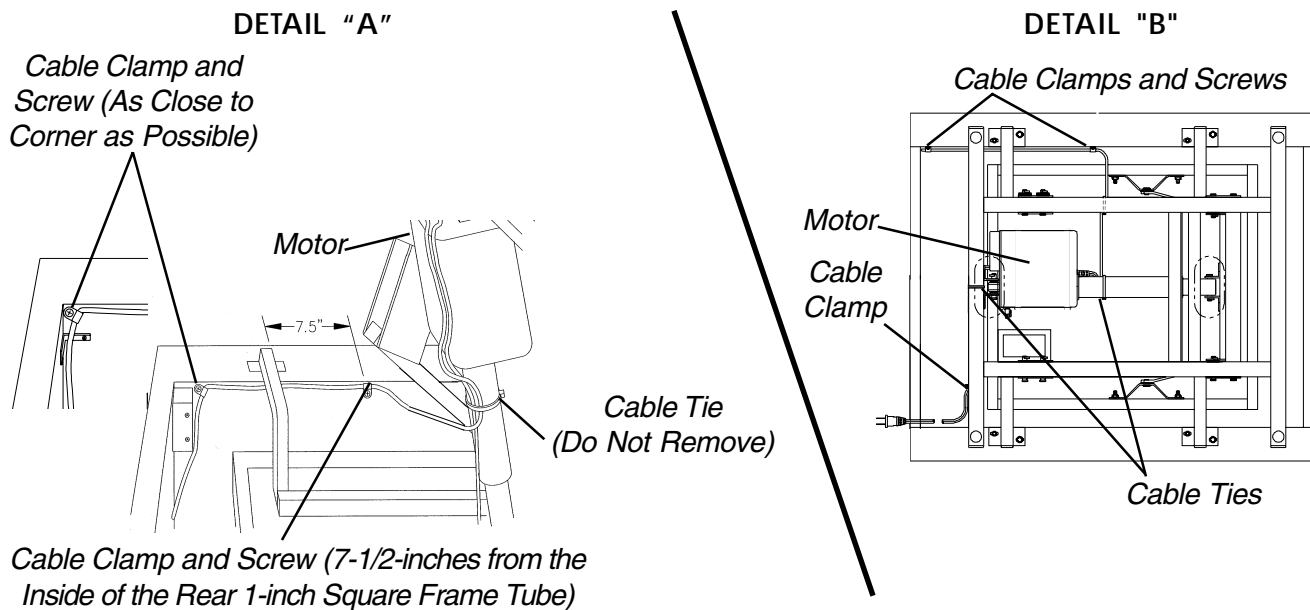
WARNING

DO NOT let the pendant cable get pinched, cut or trapped by the lift frame. Otherwise injury or damage may result.

20. Press the pendant button in the recline direction to produce sufficient slack in the rear flap of fabric to thread the pendant back out through the flap.
21. Unplug the chair power cord from the wall.
22. Return the chair back onto all four (4) feet.
23. Pull the pendant cable tight and secure the pendant cable to the rear of the chair with a screw and cable clamp.
24. Perform one (1) of the following:
 - A. **Murphy, Fairview, and Woodbriar models**- proceed to **STEP 25**.
 - B. **Stanford, Bellaire, Manchester, and Jamestown models** - tightly pull the pendant cable to the bend in the armrest. Secure the pendant cable under the bend in the armrest with a screw and cable clamp.
 - C. **New Yorker model** - tightly pull the pendant cable to the back end of the armrest. Secure the pendant cable under the back end of the armrest with a screw and cable clamp.
25. Secure the pendant cable to the outer side of the chair immediately under the armrest half way between the front of the armrest and the seat back according to following.
 - A. **Murphy, Fairview, Stanford models** - the screw must be placed vertically up into the underside of the armrest as shown in **FIGURE 2**.
 - B. **Woodbriar model** - the screw must be placed vertically down into the frame of the chair as shown in **FIGURE 2**.
 - C. **New Yorker, Bellaire, Manchester, Jamestown models** - the screw must be placed horizontally into the side of the chair as shown in **FIGURE 2**.

NOTE: Pull the pendant cable tightly to minimize slack when securing the cable clamp.

NOTE: Be sure to drive the screws into solid wood, away from edges.



MURPHY, FAIRVIEW

**STANFORD, NEW YORKER,
BELLAIRE, MANCHESTER,
JAMESTOWN**

WOODBRAIR

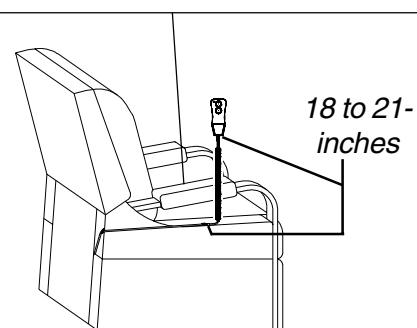
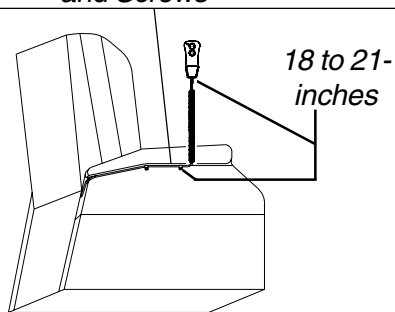
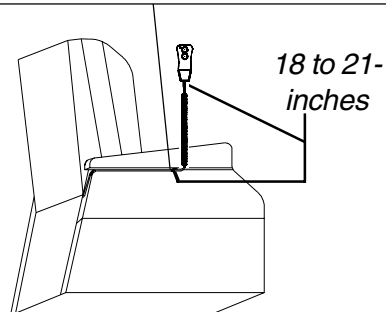
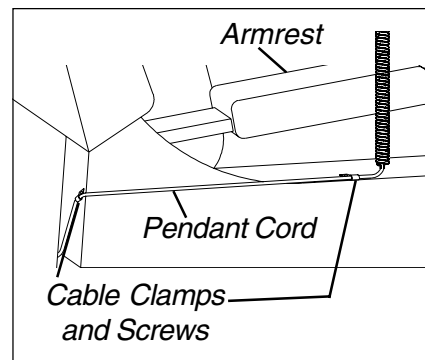
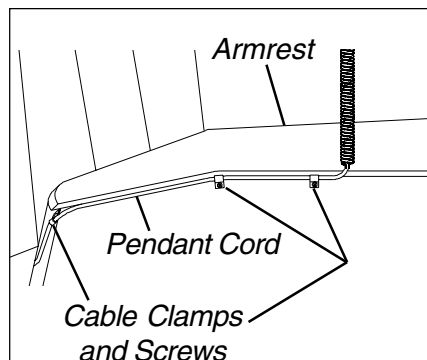
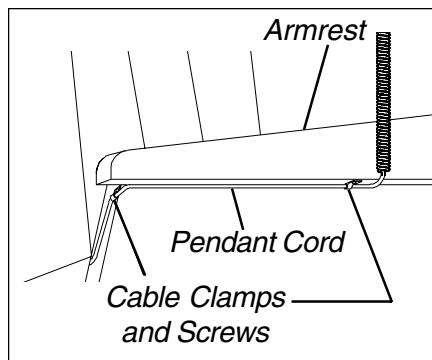


FIGURE 2 - REPOSITIONING THE PENDANT HAND CONTROL

GENERAL MAINTENANCE

*NOTE: Refer to the **GENERAL WARNINGS** in the **SAFETY SUMMARY** of this Instruction Sheet.*

WARNING

Before any maintenance is attempted, unplug the Lift Chair from the electrical outlet. Otherwise injury or damage may result.

NOTE: Before lubricating and cleaning your chair, be sure to place a paper or cloth under the chair.

NOTE: The lift out chair uses a completely sealed gearbox motor, and no lubrication is necessary. Depending on chair usage, there may be a need to perform maintenance on the lift mechanism pivot points. This needs to be done approximately every three (3) years. The recommended lubricant is a general purpose wheel bearing grease.

Lubrication Points (FIGURE 3)

Note: If the motor does not operate, contact Invacare at the numbers on the back page.

1. Ensure that the plug is connected to an operating electrical outlet, and ensure that the pendant cord is plugged into the motor socket.
2. Raise the chair to the highest position to access the clevis pins.
3. Unplug the chair.
4. Roll the chair forward onto the ottoman and the front of the seat back.
5. Perform the following to one (1) clevis pin one at a time (**12 in all**) as in **FIGURE 3 - LUBRICATION POINTS** in this **INSTRUCTION SHEET**:
 - A. Remove hitch pin securing clevis pin to the frame.
 - B. Remove clevis pin.
 - C. Apply small amount of wheel bearing grease to the clevis pin.
 - D. Reverse **STEPS A-B.** to install clevis pin.
6. Repeat **STEP 5** on remaining clevis pins.
7. Repeat **STEPS 1-4** to roll the lift out chair back into the upright position.

NOTE: If you are unable to perform regular maintenance to this chair or have any questions regarding this product, contact Invacare at the numbers on the back page.

CLEANING INSTRUCTIONS

Fabric Cleaning

UPHOLSTERY

Clean only with water-based shampoo or foam upholstery cleaner.

CAUTION

DO NOT over-wet or saturate the fabric with liquid. **DO NOT** use solvents to spot or clean.

- Pile fabrics may require brushing to restore appearance.

Naugahyde®

For best results, remove staining immediately. The longer the staining is allowed to set the more difficult the stain is to remove. Blot all excess staining residues. Always use a clean soft damp cloth when utilizing the following cleaning methods.

For Light Soiling:

- A solution of 10% household liquid dish soap with warm water applied with a soft damp cloth will remove most soiling.
- If necessary, use a solution of liquid cleanser and water applied with a soft bristle brush. Wipe away the residue with a water-dampened cloth.

For More Difficult Stains:

- Dampen a soft white cloth with a solution of household bleach (sodium hypochlorite); 1 part bleach, 4 parts water.
- Rub gently
- Rinse with a water-dampened cloth to remove bleach concentration.
- If necessary, allow a 1:4 diluted bleach solution to puddle on the affected area of apply with a solution soaked cloth for approximately 30 minutes. Rinse with a water-dampened cloth to remove any remaining bleach concentration.

CAUTION

Try this method on an inconspicuous spot before using it on the original stain/soiling.

Naugahyde is a registered trade mark of Uniroyal

Please Review Carefully

Should you choose other cleaning methods or other cleaning agents, carefully try them in an inconspicuous area to determine potential damage to the material. Never use harsh solvents or cleaners intended for industrial applications. To clean stained or soiled areas, a soft white cloth is recommended. Avoid use of paper towels.

Stains such as lipstick, crayon, felt tip pens, ballpoint pen, certain dyed suntan lotions or mustard, etc. must be cleaned immediately. The longer these and other similar harsh/permanent stains are exposed to the vinyl surface, the more difficult the vinyl will be to clean. In some cases, removal of certain stains is impossible.

WARNING

Cleaning products may be harmful/irritating to your skin, eyes, etc. Use protective gloves and eye protection. Do not inhale or swallow any cleaning product. Protect surrounding area/clothing from exposure. Use in a well-ventilated area. Follow all product manufacturers warning(s).

Motor and Pendant Cleaning

Unplug the chair from the wall before cleaning the motor or pendant. The motor and pendant may be cleaned with a damp cloth or sponge.

WARNING

DO NOT pour or spray liquids onto the motor. Otherwise injury or damage may result.

- Cleaning agents should be free of acids or salt water.
- Dry the motor and pendant thoroughly after cleaning before returning the chair to service.

PARTS LIST

ITEM	DESCRIPTION
1	Glide
2	Tube Closure
3	Screw
4	Cable Clamp
5	Hex Head Serrated Flange Screw
6	Twinfast Wood Screw
7	Plug Button
8	Hitch Pin
9	Clevis Pin
10	Cable Tie
11	Pan Head Screw
12	Nut, Self Locking
13	Transformer
14	Motor
15	Pendant
16	Lift Frame Assembly
17	Lockout key (Canadian)
18	Screw
19	Cable Clamp
20	Bushing

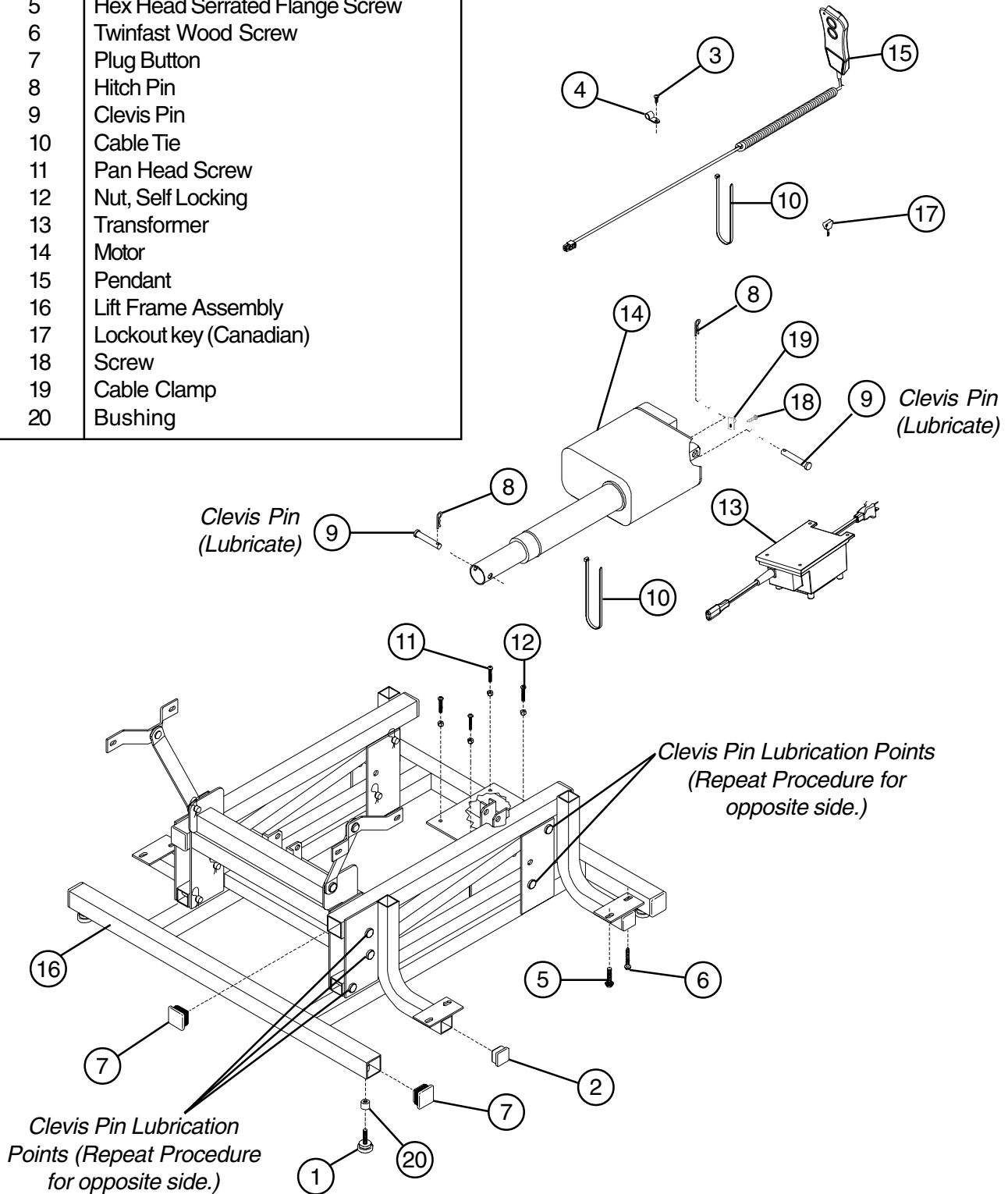


FIGURE 3 - LUBRICATION POINTS

LIMITED WARRANTY

PLEASE NOTE: THE WARRANTY BELOW HAS BEEN DRAFTED TO COMPLY WITH FEDERAL LAW APPLICABLE TO PRODUCTS MANUFACTURED AFTER JULY 4, 1975.

This warranty is extended only to the original purchaser/user of our products.

This warranty gives you specific legal rights and you may also have other legal rights which vary from state to state.

Invacare warrants electrical and mechanical components for a period of three (3) years from the date of purchase. Upholstery fabric is warranted for a period of three (3) years from date of purchase. If within such warranty period any such product shall be proven to be defective, such product shall be repaired or replaced, at Invacare's option. This warranty does not include any labor or shipping charges incurred in replacement part installation or repair of any such product. Invacare's sole obligation and your exclusive remedy under this warranty shall be limited to such repair and/or replacement.

For warranty service, please contact the dealer from whom you purchased your Invacare product. In the event you do not receive satisfactory warranty service, please write directly to Invacare at the address located at the bottom of this page, provide dealers name, address, date of purchase, indicate nature of the defect and, if the product is serialized, indicate the serial number. Do not return products to our factory without our prior consent.

LIMITATIONS AND EXCLUSIONS: THE FORGOING WARRANTY SHALL NOT APPLY TO SERIAL NUMBERED PRODUCTS IF THE SERIAL NUMBER HAS BEEN REMOVED OR DEFACED, PRODUCTS SUBJECTED TO NEGLIGENCE, ACCIDENT, IMPROPER OPERATION, MAINTENANCE OR STORAGE, COMMERCIAL OR INSTITUTIONAL USE, PRODUCTS MODIFIED WITHOUT INVACARE'S EXPRESS WRITTEN CONSENT INCLUDING, BUT NOT LIMITED TO, MODIFICATION THROUGH THE USE OF UNAUTHORIZED PARTS OR ATTACHMENTS; PRODUCTS DAMAGED BY REASON OF REPAIRS MADE TO ANY COMPONENT WITHOUT THE SPECIFIC CONSENT OF INVACARE, OR TO A PRODUCT DAMAGED BY CIRCUMSTANCES BEYOND INVACARE'S CONTROL, AND SUCH EVALUATION WILL BE SOLELY DETERMINED BY INVACARE. THE WARRANTY SHALL NOT APPLY TO PROBLEMS ARISING FROM NORMAL WEAR OR FAILURE TO ADHERE TO THESE INSTRUCTIONS.

THE FOREGOING WARRANTY IS EXCLUSIVE AND IN LIEU OF ALL OTHER EXPRESS WARRANTIES. IMPLIED WARRANTIES, IF ANY, INCLUDING THE IMPLIED WARRANTIES OF MERCHANTABILITY AND FITNESS FOR A PARTICULAR PURPOSE, SHALL NOT EXTEND BEYOND THE DURATION OF THE EXPRESS WARRANTY PROVIDED HEREIN AND THE REMEDY FOR VIOLATIONS OF ANY IMPLIED WARRANTY SHALL BE LIMITED TO REPAIR OR REPLACEMENT OF THE DEFECTIVE PRODUCT PURSUANT TO THE TERMS CONTAINED HEREIN. INVACARE SHALL NOT BE LIABLE FOR ANY CONSEQUENTIAL OR INCIDENTAL DAMAGES WHATSOEVER. SOME STATES DO NOT ALLOW THE EXCLUSION OR LIMITATION OF INCIDENTAL OR CONSEQUENTIAL DAMAGE, OR LIMITATION ON HOW LONG AN IMPLIED WARRANTY LASTS, SO THE ABOVE EXCLUSIONS AND LIMITATIONS MAY NOT APPLY TO YOU.

THIS WARRANTY SHALL BE EXTENDED TO COMPLY WITH STATE/PROVINCIAL LAWS AND REQUIREMENTS.

Invacare Corporation www.invacare.com



Yes, you can.™

USA
One Invacare Way
Elyria, Ohio USA
44036-2125
800-333-6900

Canada
5970 Chedworth Way
Mississauga, Ontario
L5R 3T9, Canada
905-890-8838

Invacare is a registered trademark of Invacare Corporation.
©2001 Invacare Corporation

Form No. 93-58 Part No. 53000M565 Rev 1 (1) 2/01