

### SAVE THESE INSTRUCTIONS

NOTE: Check ALL parts for shipping damage. If shipping damage is noted, DO NOT use. Contact carrier/dealer for further instruction.

#### ⚠ WARNING

- **DO NOT** use this product or any available optional equipment without first completely reading and understanding these instructions and any additional instructional material such as owner's manuals, service manuals or instruction sheets supplied with this product or optional equipment. If you are unable to understand the warnings, cautions or instructions, contact a healthcare professional, dealer or technical personnel before attempting to use this equipment - otherwise, injury or damage may occur.
- You should **ALWAYS** consult with your physician or therapist to determine proper adjustment and usage.
- Items should not protrude from the walker tray - otherwise, injury or damage may occur.
- After installation and before use, ensure that the accessories are securely locked in place and all hardware is tightened securely.
- **DO NOT** carry or place weight exceeding five pounds in or on the walker tray when it is attached to the walker. This may cause the walker to tip forward, making the walker unstable.
- **NEVER** use the walker tray, walker basket and the walker pouch at the same time.
- **NEVER** use the walker tray as a means of support.
- **DO NOT** sit or push down on the walker tray when it is in use. This may cause the walker tray to collapse.
- **DO NOT** use the walker tray with heavy duty or bariatric walkers.

#### ⚠ ACCESSORIES WARNING

Invacare products are specifically designed and manufactured for use in conjunction with Invacare accessories. Accessories designed by other manufacturers have not been tested by Invacare and are not recommended for use with Invacare products.

#### Attach the Tray Support Braces

NOTE: Walker tray, model 6002, may be used on walker models 6240-A, 6240-JR, 6240-5F and 6240-JR5F.

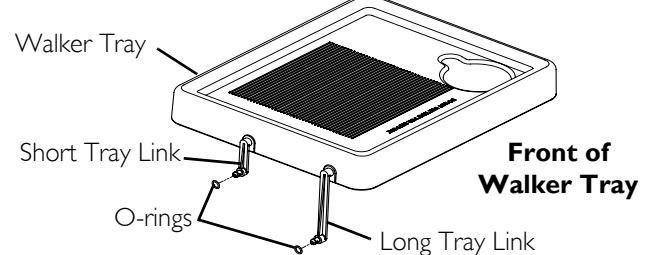
NOTE: Soak the tray support braces in warm water for five minutes before attempting this procedure.

NOTE: For this procedure, refer to FIGURE 1.

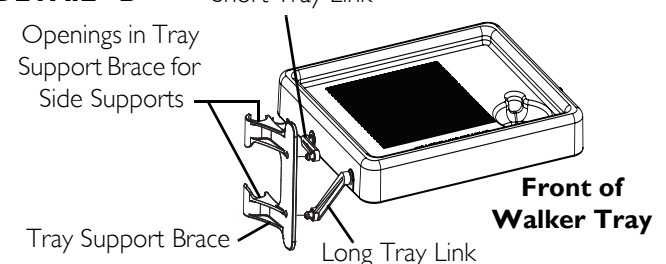
1. Put an o-ring over the short tray link and long tray link as shown in Detail "A".
2. On both sides of the walker tray, insert the long and short tray links into the holes in the tray support braces as shown in Details "B" and "C".

NOTE: When attached properly, the openings in the tray support braces for the side supports will be facing the back of the walker tray. Refer to Details "B" and "C".

#### DETAIL "A"



#### DETAIL "B"



#### DETAIL "C"

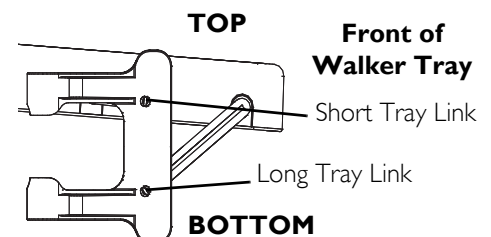


FIGURE 1 Attach the Tray Support Braces

For more information regarding Invacare products, parts, and services, please visit [www.invacare.com](http://www.invacare.com)

## Install the Walker Tray

*NOTE: For this procedure, refer to FIGURE 2.*

On both sides of the walker, snap a tray support brace onto the front side brace as shown in FIGURE 2.

*NOTE: Make sure that the walker tray is secure before use.*

## Storing the Walker Tray

*NOTE: For this procedure, refer to FIGURE 3.*

*NOTE: The walker tray can be rotated to lie flat against the walker pivot brace when not in use.*

1. Pull up on the back of the walker tray.
2. Push the tray forward and down until it sits flat against the walker pivot brace.

*NOTE: To use the walker tray, pull the walker tray up and around the walker pivot brace until it locks into place.*

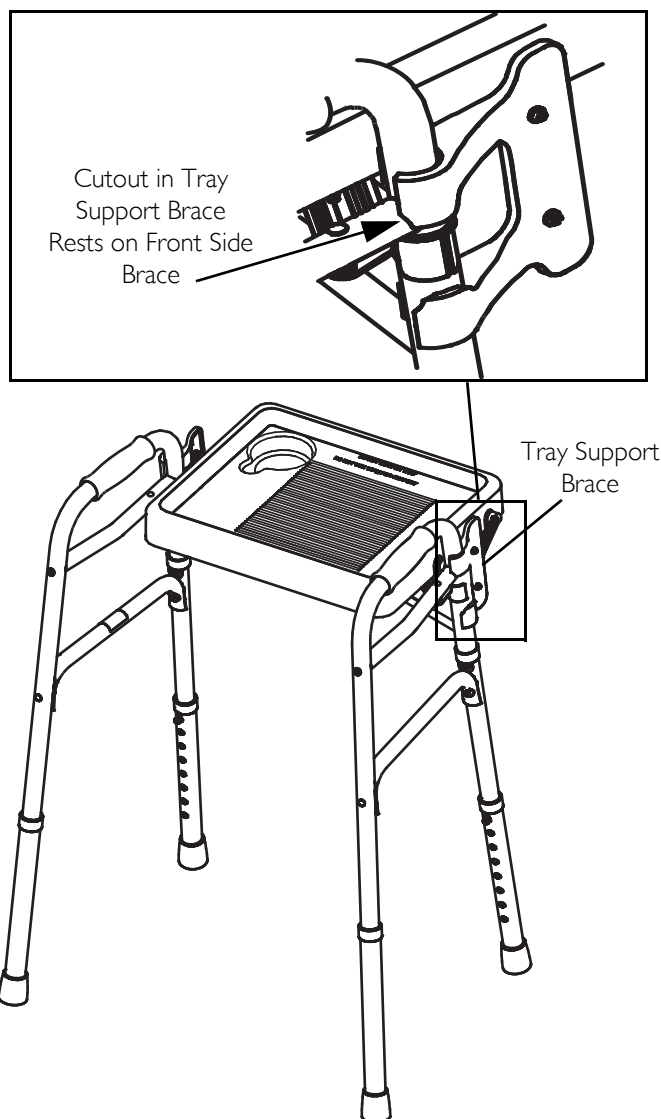
## Removing the Walker Tray

To remove the walker tray, pull each tray support brace away from the front side frames.

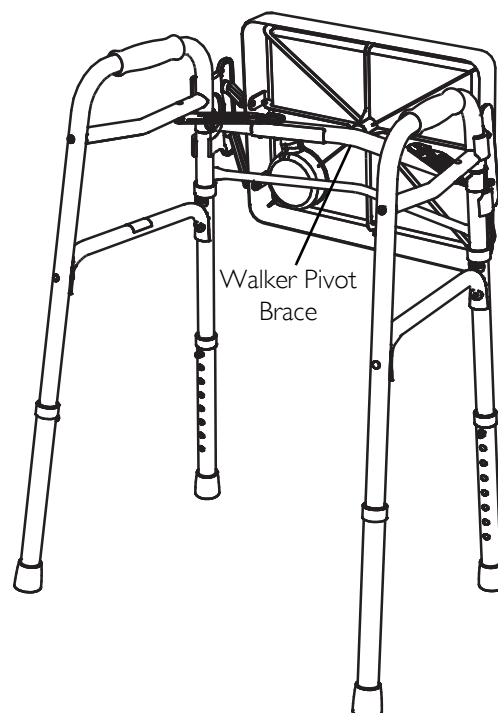
## Cleaning

*NOTE: Before using any cleaning products, test an area on the bottom of the walker tray to make sure the product does not cause discoloration or staining. DO NOT use an abrasive detergent or cleaner to clean the walker tray.*

Use water and a mild, non-abrasive cleaner to clean the walker tray.



**FIGURE 2** Install the Walker Tray



**FIGURE 3** Storing the Walker Tray

---

# LIMITED WARRANTY

Invacare warrants this product to be free from defects in materials and workmanship.

**PLEASE NOTE: THE WARRANTY BELOW HAS BEEN DRAFTED TO COMPLY WITH FEDERAL LAW APPLICABLE TO PRODUCTS MANUFACTURED AFTER JULY 4, 1975.**

This warranty is extended only to the original purchaser/user of our products.

This warranty gives you specific legal rights and you may also have other legal rights which vary from state to state.

Invacare warrants all walker models to be free from defects in materials and workmanship for one year for the original purchaser. If within such warranty period any such product shall be proven to be defective, such product shall be repaired or replaced, at Invacare's option. This warranty does not include any labor or shipping charges incurred in replacement part installation or repair of any such product. Invacare's sole obligation and your exclusive remedy under this warranty shall be limited to such repair and/or replacement.

For warranty service, please contact the dealer from whom you purchased your Invacare product. In the event you do not receive satisfactory warranty service, please write directly to Invacare at the address on the back page. Provide dealer's name, address, model number, date of purchase, indicate nature of the defect and, if the product is serialized, indicate the serial number.

Invacare Corporation will use a return authorization. The defective unit or parts must be returned for warranty inspection using the serial number, when applicable, as identification within thirty days of return authorization date. **DO NOT** return products to our factory without our prior consent. C.O.D. shipments will be refused; please prepay shipping charges.

**LIMITATIONS AND EXCLUSIONS: THE WARRANTY SHALL NOT APPLY TO PROBLEMS ARISING FROM NORMAL WEAR OR FAILURE TO ADHERE TO THE ENCLOSED INSTRUCTIONS. IN ADDITION, THE FOREGOING WARRANTY SHALL NOT APPLY TO SERIAL NUMBERED PRODUCTS IF THE SERIAL NUMBER HAS BEEN REMOVED OR DEFACED; PRODUCTS SUBJECTED TO NEGLIGENCE, ACCIDENT, IMPROPER OPERATION, MAINTENANCE OR STORAGE; OR PRODUCTS MODIFIED WITHOUT INVACARE'S EXPRESS WRITTEN CONSENT INCLUDING, BUT NOT LIMITED TO: MODIFICATION THROUGH THE USE OF UNAUTHORIZED PARTS OR ATTACHMENTS; PRODUCTS DAMAGED BY REASON OF REPAIRS MADE TO ANY COMPONENT WITHOUT THE SPECIFIC CONSENT OF INVACARE; PRODUCTS DAMAGED BY CIRCUMSTANCES BEYOND INVACARE'S CONTROL; PRODUCTS REPAIRED BY ANYONE OTHER THAN AN INVACARE DEALER, SUCH EVALUATION SHALL BE SOLELY DETERMINED BY INVACARE.**

**THE FOREGOING EXPRESS WARRANTY IS EXCLUSIVE AND IN LIEU OF ANY OTHER EXPRESS WARRANTIES WHATSOEVER, WHETHER EXPRESS OR IMPLIED, INCLUDING THE IMPLIED WARRANTIES OF MERCHANTABILITY AND FITNESS FOR A PARTICULAR PURPOSE AND THE SOLE REMEDY FOR VIOLATIONS OF ANY WARRANTY WHATSOEVER, SHALL BE LIMITED TO REPAIR OR REPLACEMENT OF THE DEFECTIVE PRODUCT PURSUANT TO THE TERMS CONTAINED HEREIN. THE APPLICATION OF ANY IMPLIED WARRANTY WHATSOEVER SHALL NOT EXTEND BEYOND THE DURATION OF THE EXPRESS WARRANTY PROVIDED HEREIN. INVACARE SHALL NOT BE LIABLE FOR ANY CONSEQUENTIAL OR INCIDENTAL DAMAGES WHATSOEVER.**

**THIS WARRANTY SHALL BE EXTENDED TO COMPLY WITH STATE/PROVINCIAL LAWS AND REQUIREMENTS.**



**Yes, you can.®**

[www.invacare.com](http://www.invacare.com)

**USA**  
One Invacare Way  
Elyria, Ohio USA  
44036-2125

**Canada**  
570 Matheson Blvd E Unit 8  
Mississauga Ontario  
L4Z 4G4 Canada

All rights reserved. Trademarks are identified by the symbols <sup>™</sup> and <sup>®</sup>. All trademarks are owned by or licensed to Invacare Corporation or its subsidiaries unless otherwise noted.

© 2009 Invacare Corporation

For customer service, call 800-333-6900.

Part No 1160851

Rev A - 06/09

