

**SAVE THESE INSTRUCTIONS**

NOTE: Check all parts for shipping damage. In case of damage, DO NOT use. Contact Carrier/Invacare for further instructions.

## Safety Summary

To ensure the safe and proper installation of the caster locks, these instructions **MUST** be followed:

### **⚠ WARNING**

**DO NOT** use this equipment without first reading and understanding this instruction sheet and the owner's manual supplied with wheelchair. If you are unable to understand the warnings, cautions and instructions, contact a healthcare professional, dealer or technical personnel if applicable, before attempting to install this equipment - otherwise, injury or damage may occur.

**ALWAYS** consult with your physician or therapist to determine proper adjustment and usage.

Invacare products are specifically designed and manufactured for use in conjunction with Invacare accessories. Accessories designed by other manufacturers have not been tested by Invacare and are not recommended for use with Invacare products.

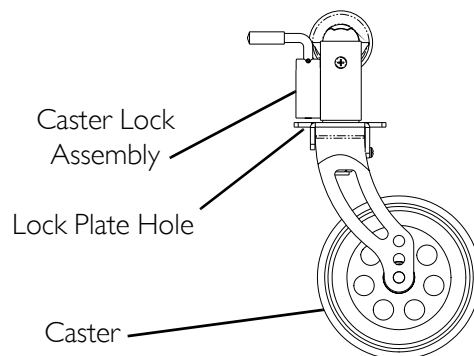
**ALWAYS** engage both front caster swivel locks and both rear wheel locks before transferring to and from the wheelchair - otherwise injury or damage may occur.

## Positioning the Front Casters

NOTE: For this procedure, refer to FIGURE 1.

1. Position both casters to face the front or rear of the wheelchair to align the front or rear lock plate hole with the caster lock assembly.

NOTE: It is recommended that the front casters be positioned toward the front of the wheelchair for additional stability when transferring.



**FIGURE 1** Positioning the Front Casters

For more information regarding Invacare products, parts, and services, please visit [www.invacare.com](http://www.invacare.com)

# Using the Caster Locks

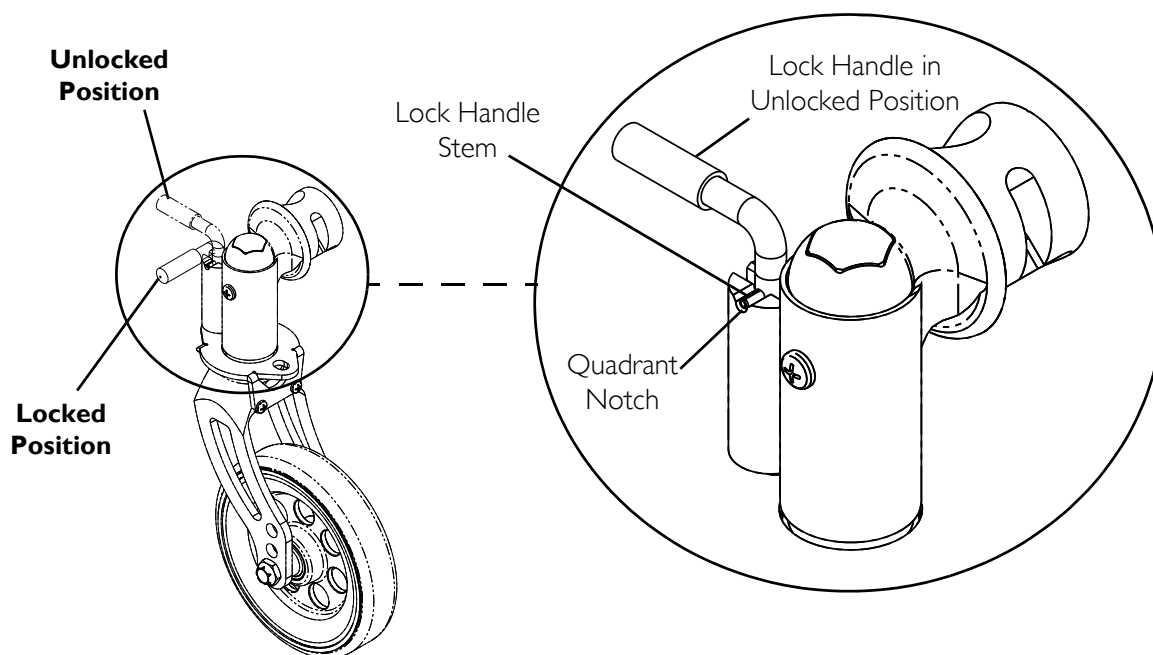
*NOTE: For this procedure, refer to FIGURE 2.*

## Locking

1. Lift the lock handle up and rotate towards the outside of the wheelchair and release.
2. Ensure that the lock handle stem engages inside the quadrant notch when locking.
3. Ensure that the caster does not swivel when locked.
4. Repeat STEPS 1-3 for the other caster lock.

## Unlocking

1. Lift the lock handle up and rotate towards the rear of the wheelchair and release.
2. Ensure that the lock handle stem engages inside the quadrant notch when unlocking.
3. Ensure that the caster swivels when unlocked.
4. Repeat STEPS 1-3 for the other caster lock.



**FIGURE 2** Using the Caster Locks

Invacare Corporation [www.invacare.com](http://www.invacare.com)



**Yes, you can.®**

**USA**  
One Invacare Way  
Elyria, Ohio USA  
44036-2125  
800-333-6900

**Canada**  
570 Matheson Blvd E Unit 8  
Mississauga Ontario  
L4Z 4G4 Canada  
800-668-5324

Invacare, Yes, you can. and The Medallion Design are registered trademarks of Invacare Corporation. ProSPIN and X4 are trademarks of Invacare Corporation.  
© 2006 Invacare Corporation

Part No I134875

Rev A - 03/15/06