

**A-T™**



# Parts Catalog Usage Guide

The information contained in this document is subject to change without notice. This catalog contains service parts for Form No. 94-143. If you have any questions regarding this catalog, please contact one of our Customer Service Representatives.

**For Customer Service Support Call:**

**1-800-333-6900**

**For Faxed In Orders Call:**

**1-800-678-4682 or**

**1-440-366-0709**

**For Technical Service Call:**

**1-800-832-4707**

**Literature Can Be Found at:**

**[www.invacare.com](http://www.invacare.com) or**

**1-800-828-6272**

## SYMBOL DEFINITION

Throughout this catalog you will notice letters to draw your attention to specific footnotes which are located at the bottom of the page or below specified charts.

Examples:

A,B,C etc. = Special Comments

NOTE: = General information pertaining to that specific page

NLA = No Longer Available

## HARDWARE MEASUREMENTS

The measurements for the hardware will be listed as follows:

Screws, Bolts Diameter X Thread Count/Pitch X Length

Washers Inside Diameter X Outside Diameter X Thickness

Spacers Inside Diameter X Outside Diameter X Length

For your convenience, we have supplied an area for you to list your Invacare Representatives.

Name	Phone Numbers

©2007 Invacare Corporation. Elyria, Ohio. Invacare, Yes, you can., and the Medallion Design are registered trademarks and A-T and Contracture Platform are trademarks of Invacare Corporation.

# TABLE of CONTENTS

Description	Page Number
Adult Tilt Foot Assist Option (ATFA) .....	47
Arms - "T" Arm .....	33
Arms - Adjustable Height .....	31
Articulating Legrests - ATL4A .....	55
Back Cane Attaching Hardware .....	21
Back Canes .....	18
Base Frame Hardware .....	13
Base Frames .....	8
Bilateral Contracture Footrest .....	72
Casters and Forks .....	36
Contracture Platform™ .....	70
Footplate and Pivot Tube Assemblies - 1651 Composite .....	59
Footplate, Pivot Tube and Hardware - 1651 Composite .....	62
Footplate, Pivot Tube and Hardware - A1562/A1564 Aluminum .....	64
Footplates, Adjustable Angle with Pivot Tube - AT5543 .....	66
Footrest Support Assemblies .....	51
Frame Finishes and Touch-Up Paint .....	4
Handrims .....	40
Heel Loops and Toe Loops .....	74
Legrest Calf Pads and Ratchet Assembly .....	57
Legrest Support Assemblies - AT5044 .....	53

# TABLE of CONTENTS

<b>Description</b>	<b>Page Number</b>
Miscellaneous Accessories .....	81
Packaging, Literature, and Decals .....	6
Rear Wheels and Axle Hardware .....	39
Recliner Back and Headrest Upholstery .....	25
Recliner Hardware .....	23
Seat Frames .....	15
Seat Pans .....	27
Stroller Handles -1483 .....	78
Tilt Hardware .....	29
Vent Tray .....	49
Wheel Locks - Pull to Lock .....	43
Wheel Locks - Push to Lock .....	41
Wheel Locks - Used with "T" Arms .....	45

## Frame Finishes and Touch-Up Paint

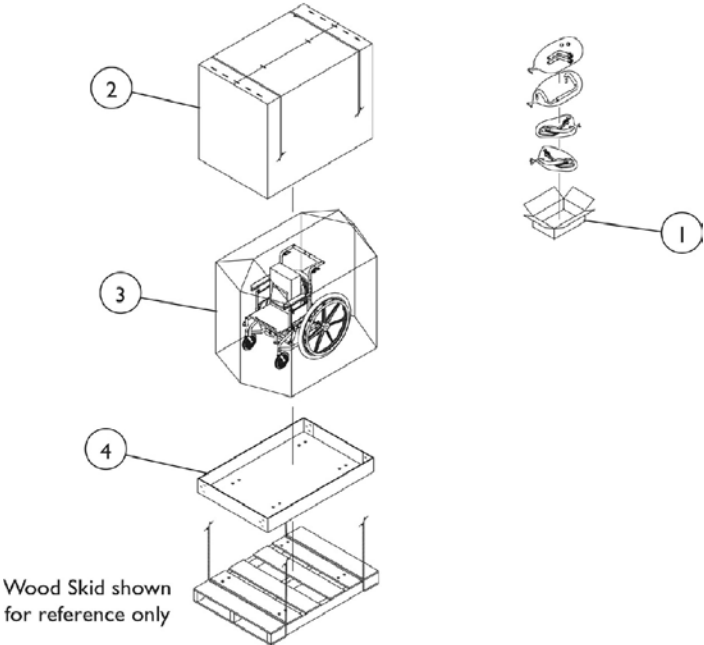
Color Number	Touch Up Paint	Color
22P	1033376	Anthracite
102P	N/A	Denim Blue
61P	N/A	Electric Red
62P	N/A	Electric Blue
104P	N/A	Electric Teal
66P	N/A	Electric Purple
80P	1073892	Evergreen with Navy
101P	N/A	Jeweled Green
84P	1073896	Lavender
105P	N/A	Midnight Blue
103P	N/A	Mocha Frost
33P	1031455	Red
83P	1073895	Royal Blue with Grape
30P	1074167	Sunny Yellow
24P	1031450	Wet Black
88P	N/A	Wet Black with Twilight Sparkle
29P	1031447	White

# Frame Finishes and Touch-Up Paint

## Sparkle Frame Finishes

Color Number	Color
72P	Black w/ Twilight Sparkle
73P	Black w/ Gold Sparkle
74P	Black w/ Green Sparkle
75P	Black w/ Blue Sparkle
76P	Black w/ Red Sparkle

# Packaging, Literature, and Decals



## Packaging, Literature, and Decals

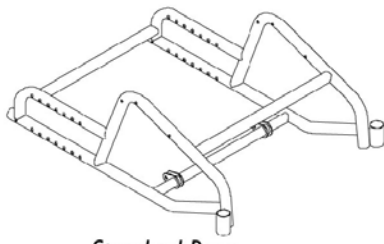
Item Number	Note	Part Number	Description	Quantity Per	
				Package	Assembly
1		40131X011	Carton, Front Riggings	1	1
2		1030364	Carton, Cover	1	1
3		1015609-NLA	Bag, Poly (28" W x 44" D x 80" H)	1	1
4		1030362	Carton, Tray	1	1
	A	1062605	Decal, Black	1	1
	A	1046498	Decal, White	1	1
	A	1046448	Owner's Manual	1	1

NOTE: A - Not Shown

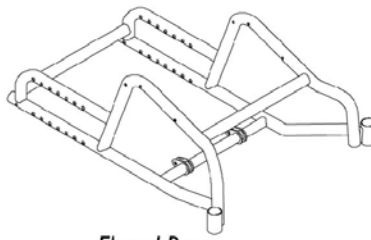
When adjusting or replacing parts please refer to your owners manual for assistance.



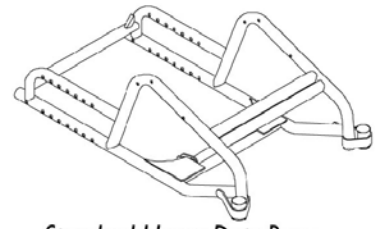
# Base Frames



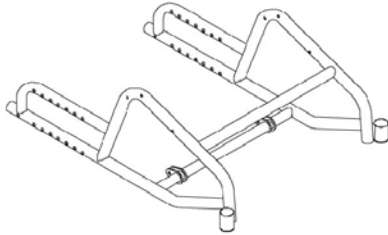
*Standard Base*



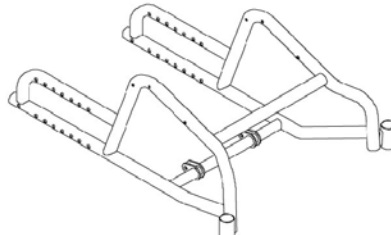
*Flared Base*



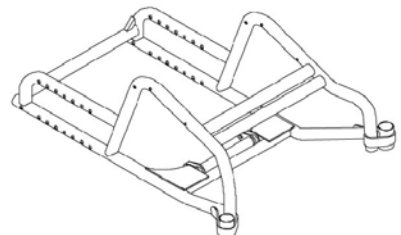
*Standard Heavy Duty Base*



*Standard Base  
w/Vent Tray Option*



*Flared Base  
w/Vent Tray Option*



*Flared Heavy Duty Base*

# Base Frames

Standard Base Frames - Weight Limit 250 Lbs.

Frame Width	Color	Chrome
14"	8881054787 See Note(s) A	1054789-NLA
15"	8881054788 See Note(s) A	1054790-NLA
16"	8881048604 See Note(s) A	1048605-NLA
17"	8881048606 See Note(s) A	1048607-NLA
18"	8881045548 See Note(s) A	1048608-NLA
19"	8881048609 See Note(s) A	1048610-NLA
20"	8881048611 See Note(s) A	1048612-NLA
21"	8881048614 See Note(s) A	1048615-NLA
22"	8881048617 See Note(s) A	1048618-NLA

NOTE: A - Specify frame color when ordering.

# Base Frames

## Standard Base Frame w/ Vent Tray - Weight Limit 250 Lbs.

Frame Width	Color	Chrome
16"	8881052453 See Note(s) A	1052454-NLA
17"	8881052455 See Note(s) A	1052456-NLA
18"	8881052457 See Note(s) A	1052458-NLA
19"	8881052459 See Note(s) A	1052460-NLA
20"	8881052461 See Note(s) A	1052462-NLA
21"	8881052463 See Note(s) A	1052464-NLA
22"	8881052465 See Note(s) A	1052466-NLA

NOTE: A - Specify frame color when ordering.

## Flared Base Frames - Weight Limit 250 Lbs.

Frame Width	Color	Chrome
14"	8881052498 See Note(s) A	1052507-NLA
15"	8881052499 See Note(s) A	1052508-NLA
16"	8881052500 See Note(s) A	1052509-NLA
17"	8881052501 See Note(s) A	1052510-NLA
18"	8881052502 See Note(s) A	1052511-NLA
19"	8881052503 See Note(s) A	1052512-NLA
20"	8881052504 See Note(s) A	1052513-NLA
21"	8881052505 See Note(s) A	1052514-NLA
22"	8881052506 See Note(s) A	1052515-NLA

NOTE: A - Specify frame color when ordering.

# Base Frames

## Flared Base Frames w/ Vent Tray - Weight Limit 250 Lbs.

Frame Width	Color	Chrome
16"	8881054798 See Note(s) A	1054805-NLA
17"	8881054799 See Note(s) A	1054806-NLA
18"	8881054800 See Note(s) A	1054807-NLA
19"	8881054801 See Note(s) A	1054808-NLA
20"	8881054802 See Note(s) A	1054809-NLA
21"	8881054803 See Note(s) A	1054810-NLA
22"	8881054804 See Note(s) A	1054811-NLA

NOTE: A - Specify frame color when ordering.

## Standard Heavy Duty Base Frames - Weight Limit 300 Lbs.

Frame Width	Color	Chrome
14"	8881056138 See Note(s) A	1056147-NLA
15"	8881056139 See Note(s) A	1056148-NLA
16"	8881056140 See Note(s) A	1056149-NLA
17"	8881056141 See Note(s) A	1056150-NLA
18"	8881056142 See Note(s) A	1056151-NLA
19"	8881056143 See Note(s) A	1056152-NLA
20"	8881056144 See Note(s) A	1056153-NLA
21"	8881056145 See Note(s) A	1056154-NLA
22"	1056146 See Note(s) A	1056155-NLA

NOTE: A - Specify frame color when ordering.

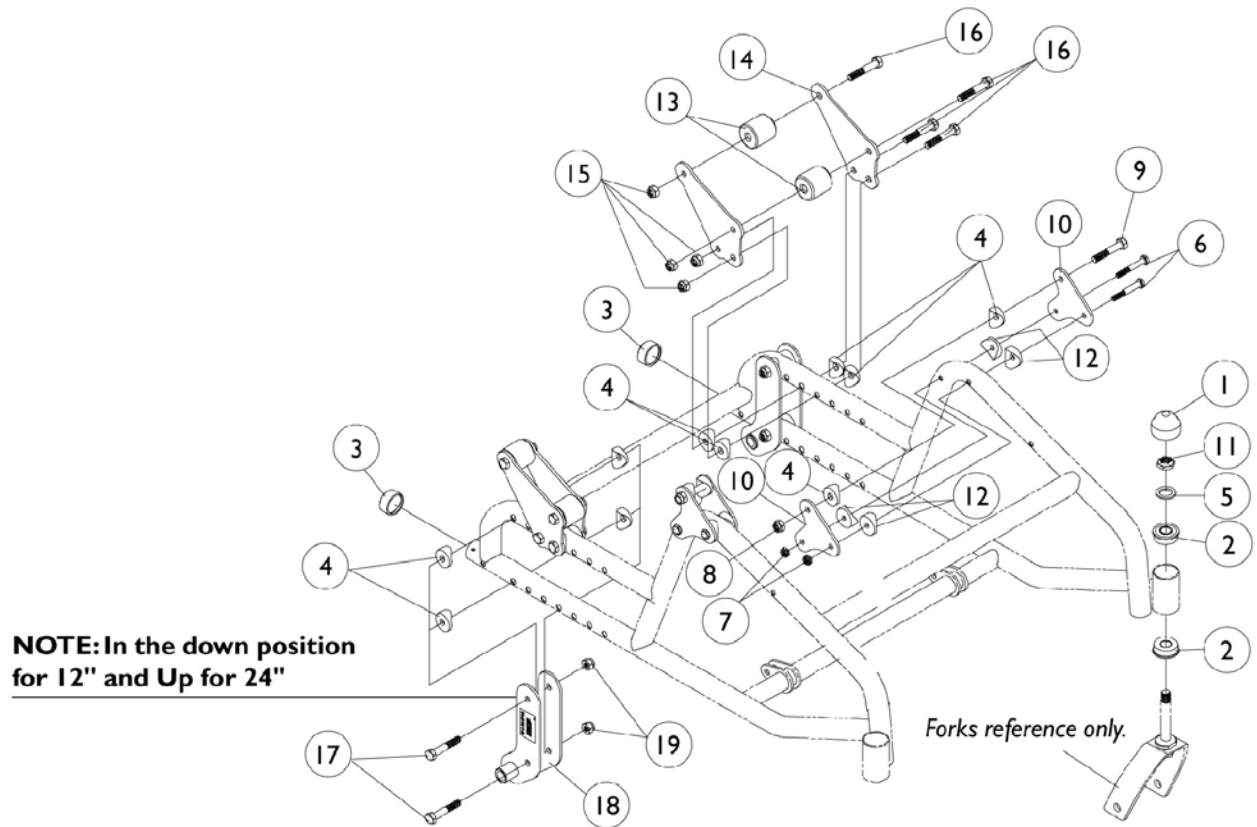
# Base Frames

## Flared Heavy Duty Frames - Weight Limit 300 Lbs.

Frame Width	Color	Chrome
14"	8881056165 See Note(s) A	1056174-NLA
15"	8881056166 See Note(s) A	1056175-NLA
16"	8881056167 See Note(s) A	1056176-NLA
17"	8881056168 See Note(s) A	1056177-NLA
18"	8881056169 See Note(s) A	1056178-NLA
19"	8881056170 See Note(s) A	1056179-NLA
20"	8881056171 See Note(s) A	1056180-NLA
21"	8881056172 See Note(s) A	1056181-NLA
22"	8881056173 See Note(s) A	1056182-NLA

NOTE: A - Specify frame color when ordering.

# Base Frame Hardware

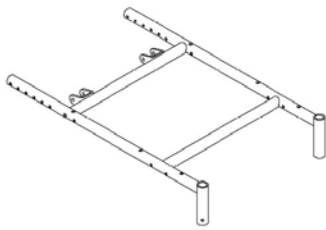


## Base Frame Hardware

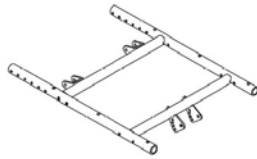
Item Number	Note	Part Number	Description	Quantity Per	
				Package	Assembly
1		1001843	Cap, Head Tube (Black)	1	2
2		1001801	Bearing, Flanged (1/2")	1	4
3		15680X013	Anti-Rattle (1")	1	2
4		1016263	Spacer, Coved (3/4 x 1 x 1/2")	1	20
5		1021508	Washer, Nylon (5/8 x 1 x 3/32")	1	2
6		1024793	Screw, Hex Head Cap (1/4-20 x 1-3/4")	1	4
7		1025195	Locknut (1/4-20)	1	4
8		1026906	Locknut (5/16-24)	1	2
9		1031891	Screw, Hex Head Cap (5/16-24 x 2")	1	2
10		1045352	Plate, Angle	1	4
11		1001979	Locknut (1/2-20)	1	2
12		40157X020	Spacer, Coved (1/4 x 1 x 9/16")	1	8
13	B	1059278	Spacer	1	4
14	B	1058972	Bracket	1	4
15	B	1028769	Locknut (5/16-18)	1	8
16	B	1044939	Screw, Hex Head (5/16-18 x 1-3/4")	1	8
17		1049227	Screw, Hex Head (1/2-20 x 5-1/4")	1	4
18		1048990	Plate, Axle Mounting, Non-Recliner, Right/ Left	1	2
18		1060582	Plate, Axle Mounting, Recliner, Right	1	2
18		1060583	Plate, Axle Mounting, Recliner, Left	1	2
19		1025737	Locknut (1/2-20)	1	4
	A	1054866	Kit, Sector Block Hardware	1	1
			Screw, Hex Head (1/4-20 x 2")	1	2
			Washer (1/4 x 1/2 x 1/16")	1	2
			Sector Block - Right	1	1
			Sector Block - Left	1	1

NOTE: A - Not Shown  
B - Items 13-16 are used on Recliner models only.

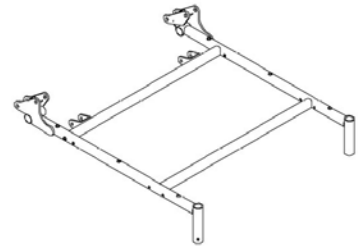
# Seat Frames



**Swingaway Seat  
Frame**



**Contracture Platform  
Seat Frame**



**Recliner  
Seat Frame**



## Seat Frames

Item Number	Note	Part Number	Description	Quantity Per	
				Package	Assembly
	A	1019930	Insert, Threaded	1	2
	A	1022174	Insert, Threaded (#10-32)	1	6
	A	See Chart	Contracture Platform Seat Frames	1	1
	A	See Chart	Recliner Seat Frames	1	1
	A	See Chart	Swingaway Seat Frames	1	1

NOTE: A - Not Shown

### Contracture Platform Seat Frames

	Short 15-18" Deep	Short 15-18" Deep	Medium 17-20" Deep	Medium 17-20" Deep	Long 21-22" Deep	Long 21-22" Deep
Width	Black	Chrome	Black	Chrome	Black	Chrome
14"	1053699	1053708-NLA	1053726	1053735-NLA	1053753	1053762-NLA
15"	1053700	1053709-NLA	1053727	1053736-NLA	1053754	1053763-NLA
16"	1053701	1053710-NLA	1053728	1053737-NLA	1053755	1053764-NLA
17"	1053702	1053711-NLA	1053729	1053738-NLA	1053756	1053765-NLA
18"	1053703	1053712-NLA	1053730	1053739-NLA	1053757	1053766-NLA
19"	1053704	1053713-NLA	1053731	1053740-NLA	1053758	1053767-NLA
20"	1053705	1053714-NLA	1053732	1053741-NLA	1053759	1053768-NLA
21"	1053706	1053715-NLA	1053733	1053742-NLA	1053760	1053769-NLA
22"	1053707	1053716-NLA	1053734	1053743-NLA	1053761	1053770-NLA

### Swingaway Seat Frames

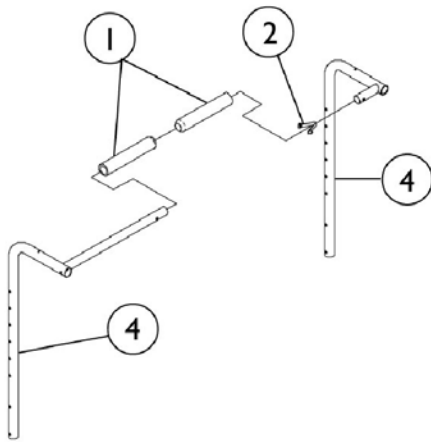
	Short 15-18" Deep	Short 15-18" Deep	Medium 17-20" Deep	Medium 17-20" Deep	Long 21-22" Deep	Long 21-22" Deep
Width	Black	Chrome	Black	Chrome	Black	Chrome
14"	1054775	1054781-NLA	1054777	1054783-NLA	1054779	1054785-NLA
15"	1054776	1054782-NLA	1054778	1054784-NLA	1054780	1054786-NLA
16"	1048701	1048702-NLA	1048619	1048620-NLA	1048634	1048635-NLA
17"	1048704	1048705-NLA	1048621	1048622-NLA	1048636	1048637-NLA
18"	1048707	1048708-NLA	1045547	1048623-NLA	1048638	1048639-NLA
19"	1048710	1048711-NLA	1048624	1048625-NLA	1048640	1048641-NLA
20"	1048713	1048714-NLA	1048626	1048627-NLA	1048642	1048643-NLA
21"	1048716	1048717-NLA	1048629	1048630-NLA	1048645	1048646-NLA
22"	1048719	1048720-NLA	1048632	1048633-NLA	1048648	1048649-NLA

# Seat Frames

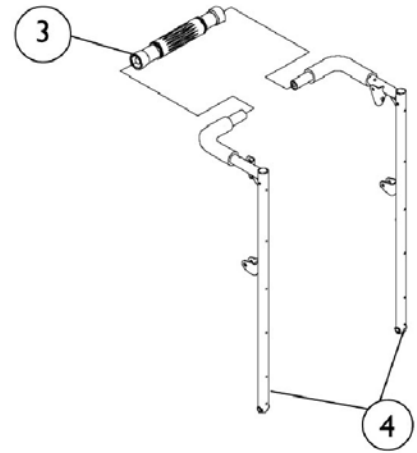
## Recliner Seat Frames

	16" Wide	17" Wide	18" Wide
16" Deep (Black)	1061376	1061378	1061380
16" Deep (Chrome)	1061377-NLA	1061379-NLA	1061381-NLA
17" Deep (Black)	1060937	1060940	1060943
17" Deep (Chrome)	1060946-NLA	1060949-NLA	1060952-NLA
18" Deep (Black)	1060938	1060941	1060944
18" Deep (Chrome)	1060947-NLA	1060950-NLA	1060953-NLA
19" Deep (Black)	1060939	1060942	1060945
19" Deep (Chrome)	1060948-NLA	1060951-NLA	1060954-NLA

# Back Canes



**Fold Down/Permanent Back Canes**



**Recliner Back Canes**

## Back Canes

Item Number	Note	Part Number	Description	Quantity Per	
				Package	Assembly
1	A	1055398	Grip, Foam (4")	1	2
1	B	1032245	Grip, Foam Hand (6-7/8" Long)	1	2
2		1025763	Spring, Double Button	1	1
3		1050293	Bar, Spreader	1	1
4		See Chart	#4 Fold Down/ Permanent Back Canes without Hardware	1	1
	C	See Chart	Recliner Back Canes without Hardware	1	1

NOTE: A - 14-15" Wide Chairs  
 B - 16-22" Wide Chairs  
 C - Not Shown

### Item #4 Fold Down/ Permanent Back Canes without Hardware

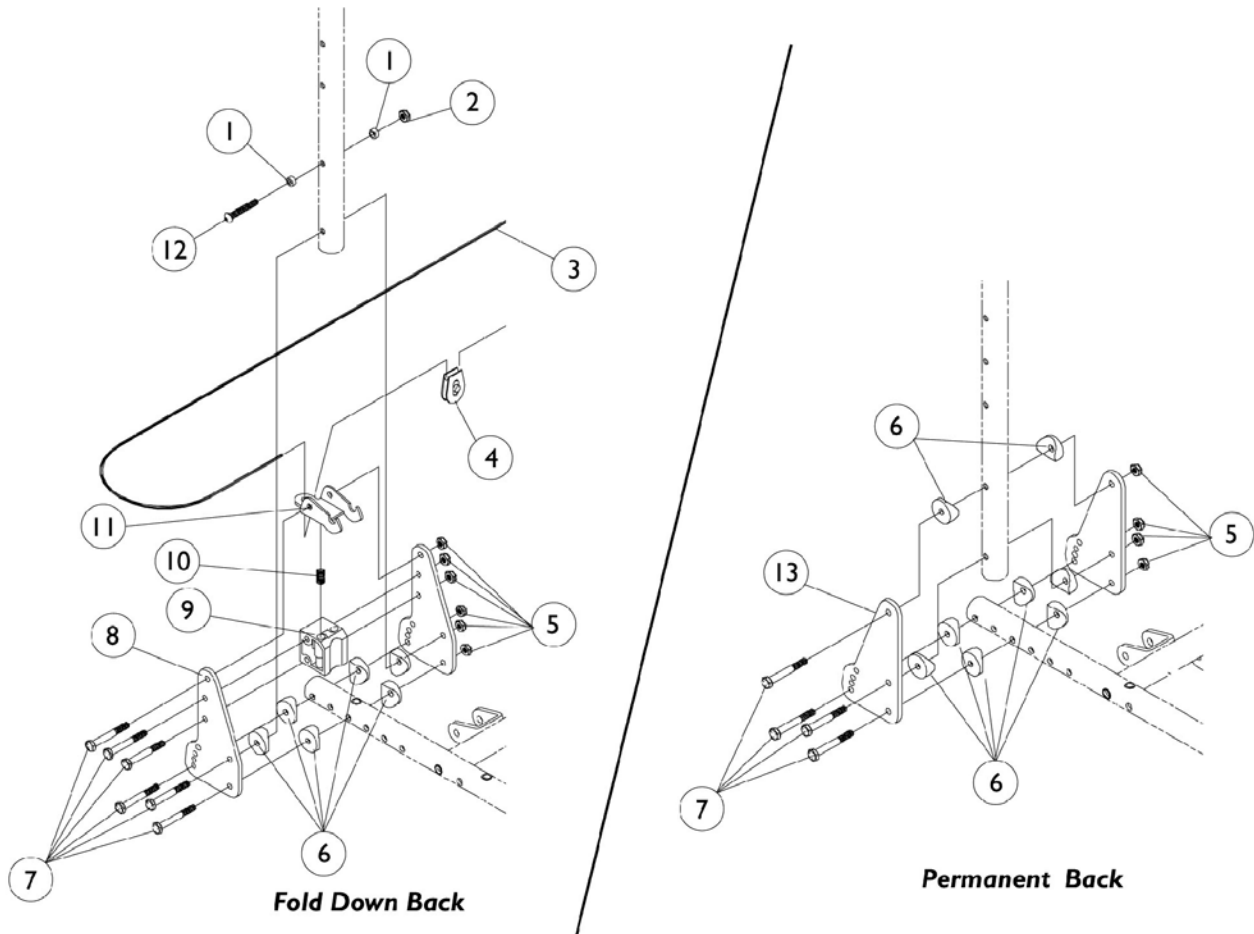
Width	Back Height	Black -Right	Black -Left	Chrome -Right	Chrome -Left
14"	20"	1048572	1054816	1048580-NLA	1054818-NLA
15"	20"	1048572	1054817	1048580-NLA	1054819-NLA
16"	20"	1048572	1048944	1048580-NLA	1048948-NLA
17"	20"	1048572	1048945	1048580-NLA	1048949-NLA
18"	20"	1048572	1048573	1048580-NLA	1048581-NLA
19"	20"	1048572	1048946	1048580-NLA	1048950-NLA
20"	20"	1048572	1048574	1048580-NLA	1048582-NLA
21"	20"	1048572	1048947	1048580-NLA	1048951-NLA
22"	20"	1048572	1048575	1048580-NLA	1048583-NLA
14"	24"	1048576	1054826	1048584-NLA	1054828-NLA
15"	24"	1048576	1054827	1048584-NLA	1054829-NLA
16"	24"	1048576	1048964	1048584-NLA	1048968-NLA
17"	24"	1048576	1048965	1048584-NLA	1048969-NLA
18"	24"	1048576	1048577	1048584-NLA	1048585-NLA
19"	24"	1048576	1048966	1048584-NLA	1048970-NLA
20"	24"	1048576	1048578	1048584-NLA	1048586-NLA
21"	24"	1048576	1048967	1048584-NLA	1048971-NLA
22"	24"	1048576	1048579	1048584-NLA	1048587-NLA

# Back Canes

## Recliner Back Canes without Hardware

Width	Back Height	Black -Right	Black -Left	Chrome -Right	Chrome -Left
16-17"	20"	1060955	1060956	1060963-NLA	1060964-NLA
16-17"	24"	1060957	1060958	1060965-NLA	1060966-NLA
18"	20"	1060959	1060960	1060967-NLA	1060968-NLA
18"	24"	1060961	1060962	1060969-NLA	1060970-NLA

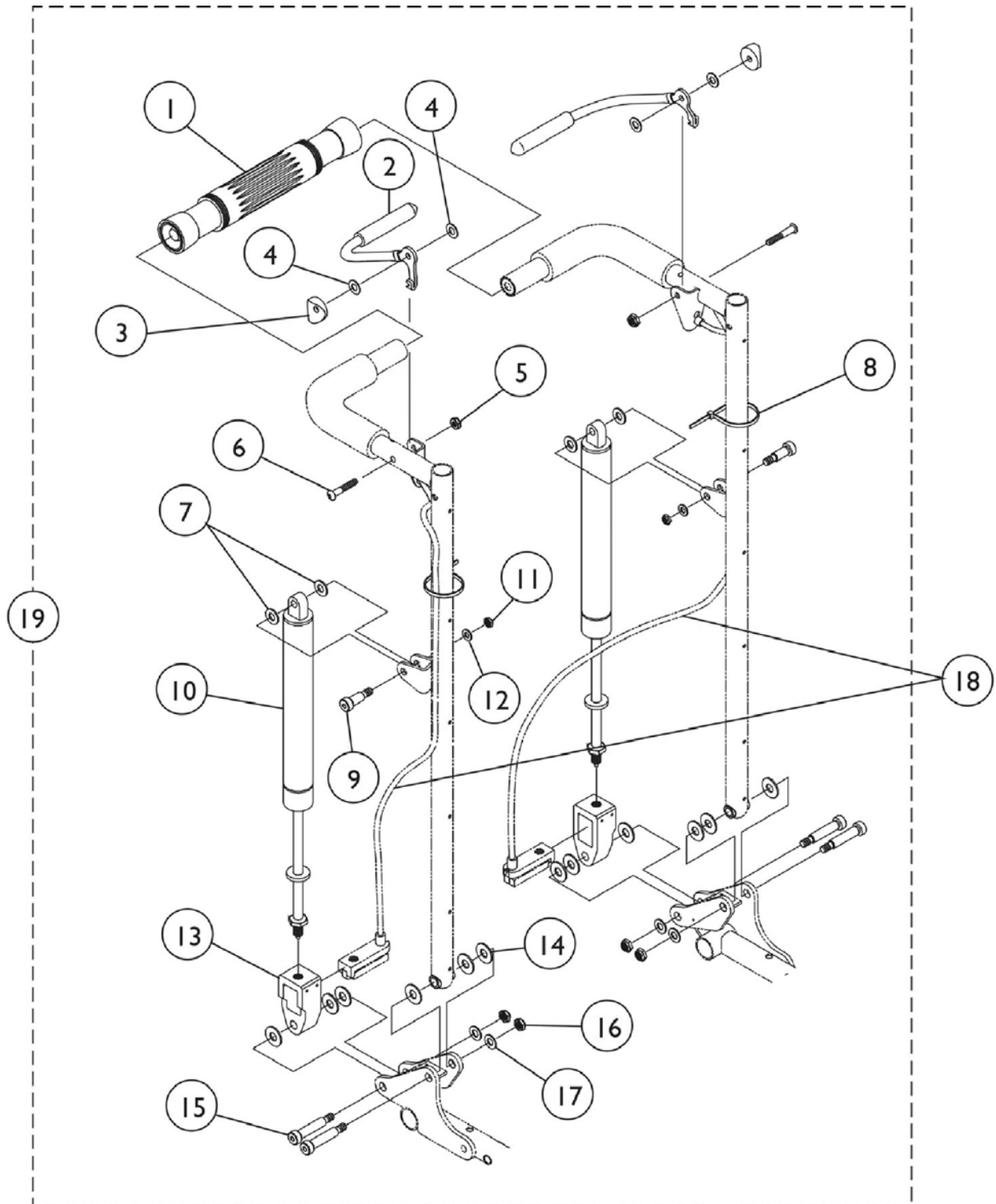
# Back Cane Attaching Hardware



## Back Cane Attaching Hardware

Item Number	Note	Part Number	Description	Quantity Per	
				Package	Assembly
1		1047449	Spacer (1/4 x 3/8 x 3/16")	1	2
2		7930345	Locknut (1/4-28)	25	1
3		1141633	Cord, Nylon (6-1/2 Feet)	1	1
4		1029412	Cord Lock	1	1
5		7930333	Locknut (1/4-20)	25	6
6		40157X020	Spacer, Coved (1/4 x 1 x 9/16")	1	6
7		7930341	Screw Hex Head (1/4-28 x 2")	25	6
8		1045999	Plate, Seat Adjustment	1	2
9		1046001	Block, Stop	1	1
10		1048802	Spring, Compression	1	1
11		1046000	Latch, Seat	1	1
12		1019590	Screw, Socket Button Head Cap (1/4-20 x 1-5/8")	1	1
13		1052481	Plate, Seat Adjustment	1	2

# Recliner Hardware



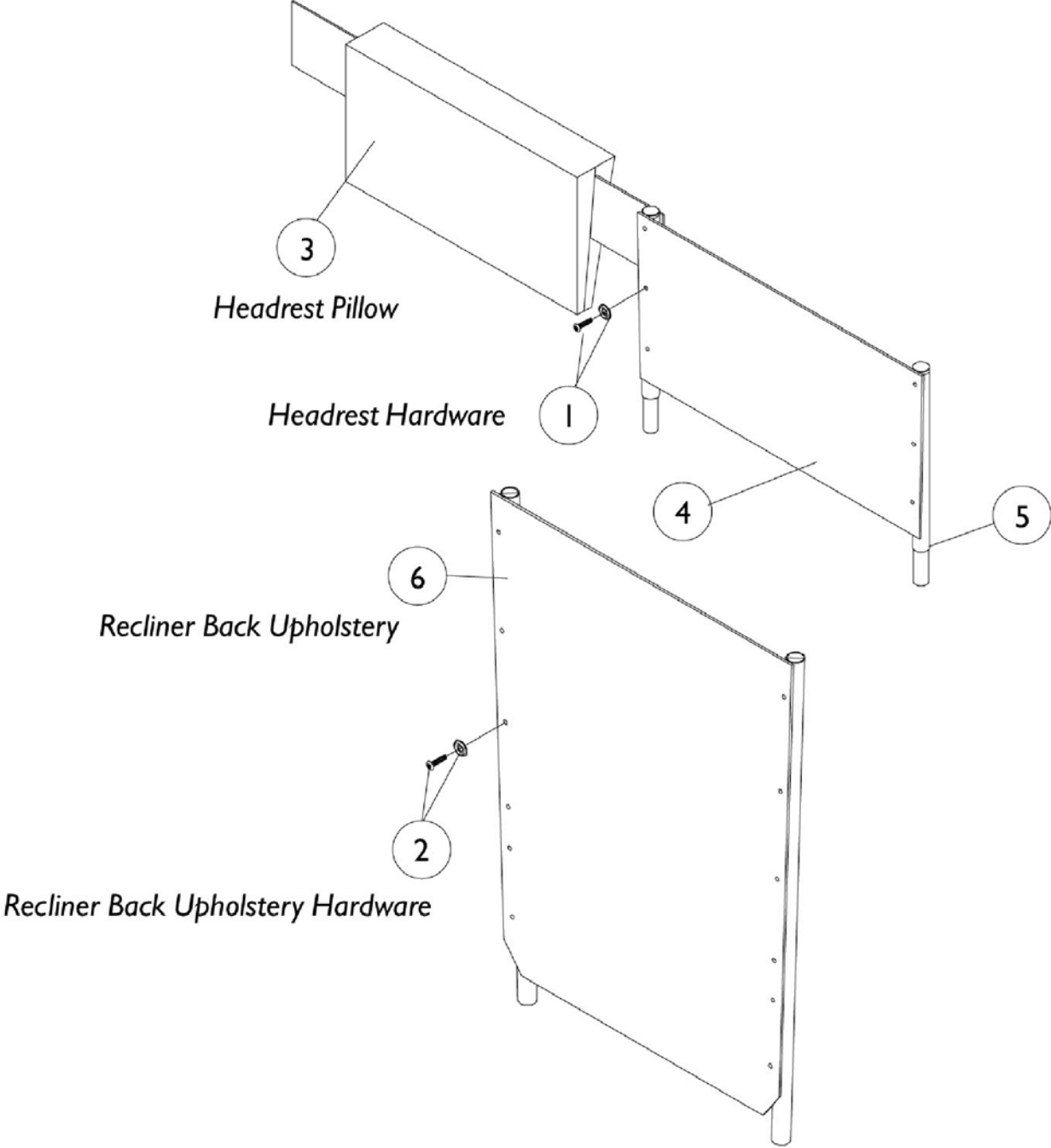


## Recliner Hardware

Item Number	Note	Part Number	Description	Quantity Per	
				Package	Assembly
1		1050293	Bar, Spreader	1	1
2		1060568	Recliner Lever with Grip, Right	1	1
2		1060569	Recliner Lever with Grip, Left	1	1
3		40157X019	Spacer, Coved (1/4 x 7/8 x 7/16")	1	2
4		1026106	Washer (1/4 x 5/8 x 1/16")	1	4
5		1025195	Locknut (1/4-20)	1	2
6		1019590	Screw, Socket Button Head Cap (1/4-20 x 1-5/8")	1	2
7		1026032	Washer, Nylon (11/32 x 11/16 x 1/16")	1	4
8		1021260	Cable Tie (5-5/8" Long)	1	6
9		1050153	Screw, Socket Head Shoulder (5/16 x 7/8")	1	2
10		1050154	Lock Cylinder, Recline	1	2
11		1025736	Locknut (1/4-20)	1	2
12		1026907	Washer (1/4 x 1/2 x 1/16")	1	2
13		1050136	Pivot Block	1	2
14		1012371	Washer, Nylon (3/8 x 7/8 x 1/16")	1	12
15		1031665	Screw, Socket Head Shoulder (3/8 x 1-1/2")	1	4
16		1026158	Locknut (5/16-18)	1	4
17		1025704	Washer, Flat (5/16 x 5/8 x 1/16")	1	4
18	A,B	1050216	Cable with Trigger	1	2
18	B,C	1050215	Cable with Trigger	1	2
19	D	1060936	Reclining Back Hardware	1	1

NOTE: A - 20" Back Height.  
 B - In order to replace cable, remove and discard handle.  
 C - 24" Back Height.  
 D - Includes items 1-17.

# Recliner Back and Headrest Upholstery



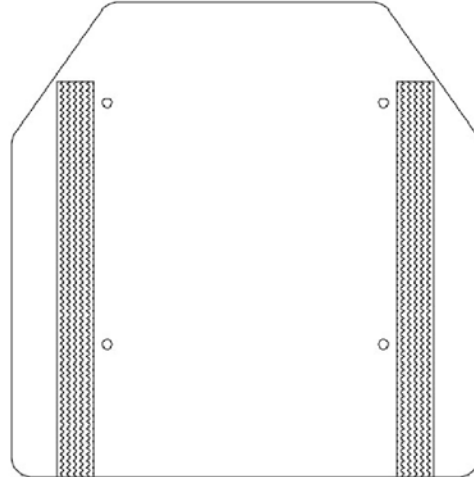
## Recliner Back and Headrest Upholstery

Item Number	Note	Part Number	Description	Quantity Per	
				Package	Assembly
1		1030441	Kit, Headrest Upholstery Hardware - Screws w/ Washers (#10 x 7/8")	6	6
2		1029154	Kit, Back Upholstery Hardware - Screws w/ Washers (#10 x 7/8")	12	12
3	B	1054896	Headrest Cushion, 16" Wide	1	1
4	C	1054628	Headrest Upholstery, 16" Wide - Recliner	1	1
4	D	1055281	Headrest Uph, Recliner, Nylon, 17" Wide	1	1
4	A	1054629	Headrest Uph, Recliner, Nylon, 18" Wide	1	1
5		1052997	Tube, Headrest with Plug Button, without Snap Buttons - Right	1	1
5		1052998	Tube, Headrest with Plug Button, without Snap Buttons - Left	1	1
6		See Chart	#6 Recliner Back and Headrest Upholstery	1	1
NOTE: A - 18" Wide B - 16-18" Wide C - 16" Wide D - 17" Wide					

### Item #6 Recliner Back Upholstery (Nylon)

	Back Height	
Width	20"	24"
16"	1050319	1050329
17"	1050320	1050330
18"	1050321	1050331

# Seat Pans



## Seat Pans 15-18" Deep

Width	Depth			
	15"	16"	17"	18"
14"	1054850	1054852	1054854	1054856
15"	1054851	1054853	1054855	1054857
16"	1049082	1049083	1049084	1049085
17"	1049090	1049091	1049092	1049093
18"	1049098	1049099	1049100	1049101
19"	1049106	1049107	1049108	1049109
20"	1049114	1049115	1049116	1049117
21"	1049122	1049123	1049124	1049125
22"	1049130	1049131	1049132	1049133

# Seat Pans

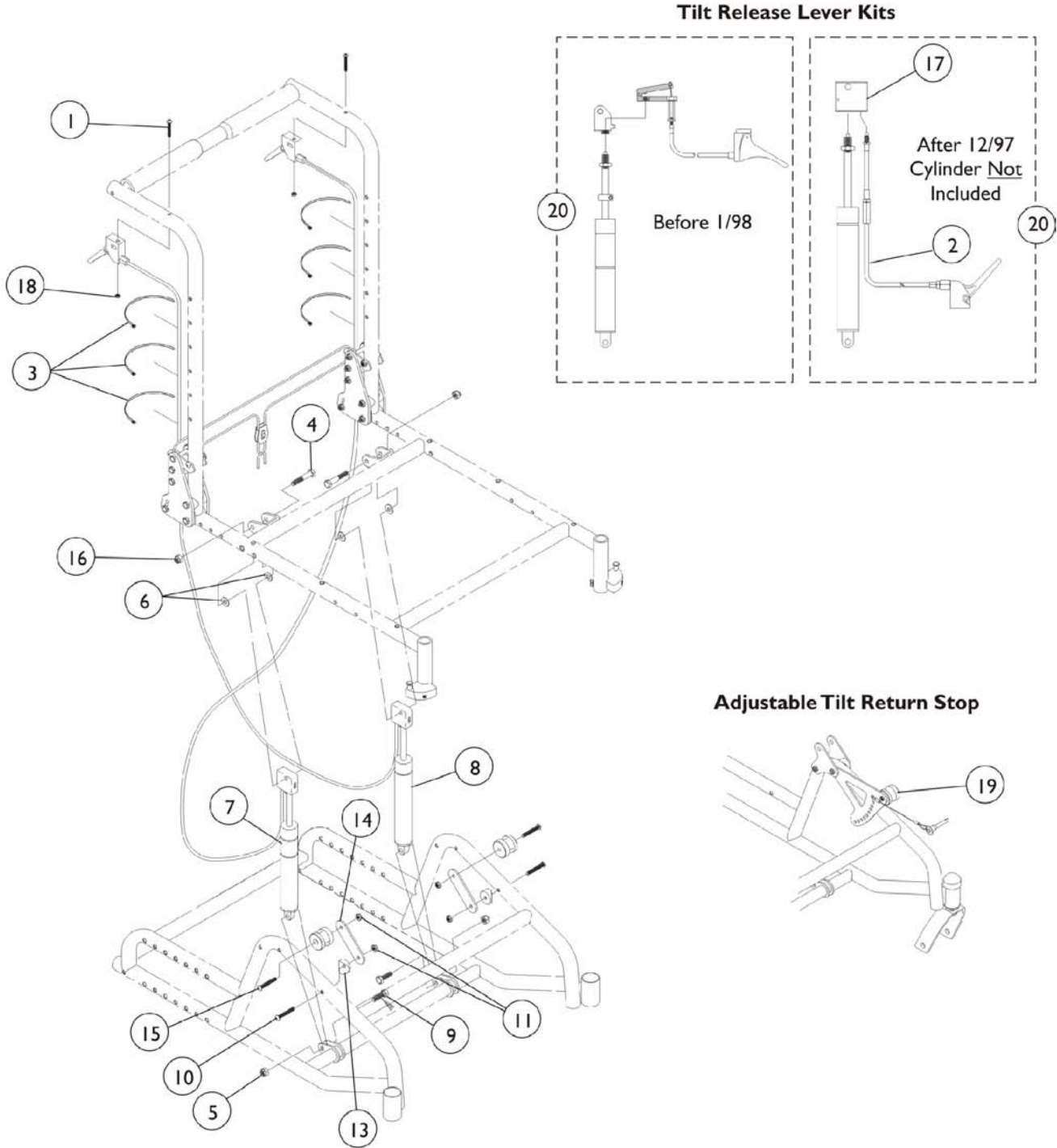
## Seat Pans 19-22" Deep

Width	Depth			
	19"	20"	21"	22"
14"	1054858	1054860	1054862	1054864
15"	1054859	1054861	1054863	1054865
16"	1049086	1049087	1049088	1049089
17"	1049094	1049095	1049096	1049097
18"	1049102	1049103	1049104	1049105
19"	1049110	1049111	1049112	1049113
20"	1049118	1049119	1049120	1049121
21"	1049126	1049127	1049128	1049129
22"	1049134	1049135	1049136	1049137

## Seat Pan Mounting Hardware

Item Number	Note	Part Number	Description	Quantity Per	
				Package	Assembly
	A,B	1049216	Hardware, Seat Pan Attaching (Screw, 10-32 x 11/16") (Pkg. of 4)	4	4
	A,C	1049146	Hardware, Seat Pan Attaching (Screw, 10-32 x 11/16") (Pkg. of 6)	6	6
	A	See Chart	Seat Pans 15"-18" Deep	1	1
	A	See Chart	Seat Pans 19"-22" Deep	1	1
NOTE: A - Not Shown B - 15" Deep Chairs C - 16-22" Deep Chairs					

# Tilt Hardware

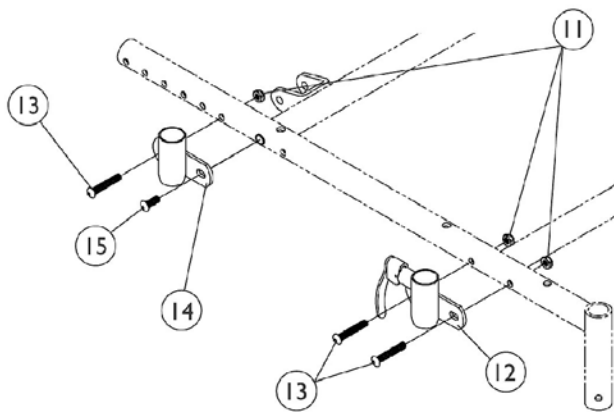
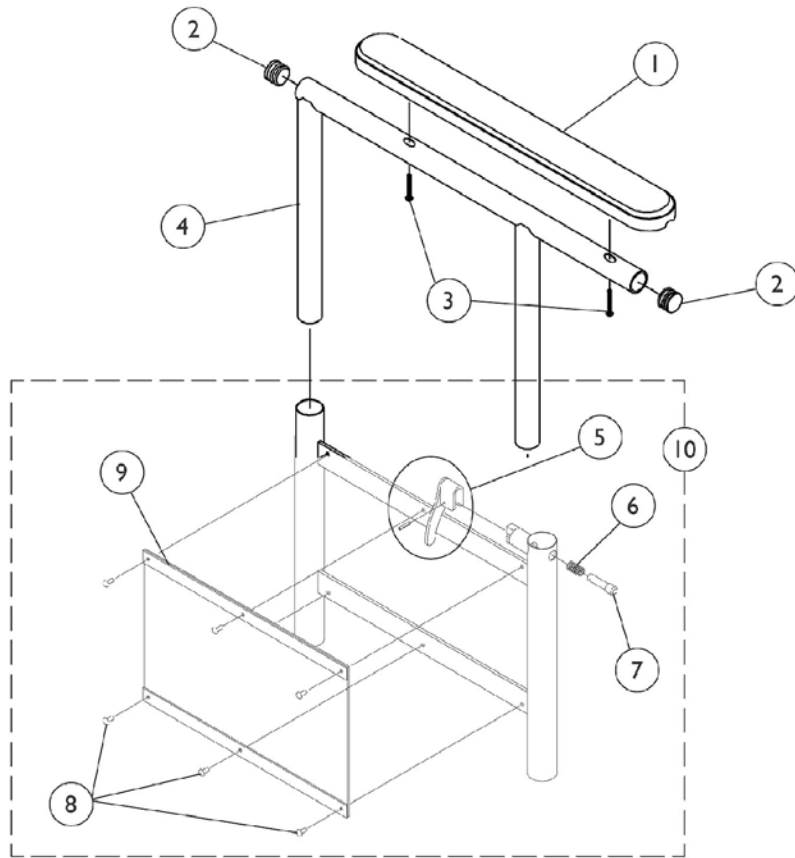


## Tilt Hardware

Item Number	Note	Part Number	Description	Quantity Per	
				Package	Assembly
1		1029464	Screw, Head Cap (#10-32 x 1-1/4")	1	2
2		1078451	Release Handle/Cable Assembly	1	2
3		1021260	Cable Tie (5-5/8" Long)	1	6
4		1031891	Screw, Hex Head Cap (5/16-24 x 2")	1	2
5		1028769	Locknut (5/16-18)	1	2
6		1026032	Washer, Nylon (11/32 x 11/16 x 1/16")	1	4
7		1046814	Lock Cylinder, Right	1	1
8		1047705	Lock Cylinder, Tilt - Left	1	1
9		1003548	Screw, Hex Head (5/16-18 x 1")	1	2
10		1008495	Screw, Button Head Cap (1/4-20 x 1-1/2")	1	2
11		7930323	Pkg, Locknut (1/4-20)	25	4
12		1048801	Stop Block	1	2
13		40157X020	Spacer, Coved (1/4 x 1 x 9/16")	1	2
14		1048800	Plate, Stop Block	1	2
15		1008432	Screw, Button Head Socket (1/4-20 x 1-1/4")	1	2
16		1026906	Locknut (5/16-24)	1	2
17		1076567	Cylinder Release	1	1
18		1025735	Locknut (#10-32)	1	2
19		1062736	Adjustable Tilt Return Stop w/ Instructions (1 Pair)	2	1
20	C	1062775-NLA	Tilt Release Lever Kit, Right	--	--
20	C	1062776-NLA	Tilt Release Lever Kit, Left	--	--
20	A,D	1075264	Tilt Release Lever Kit (1 Pair)	2	1
	B	1075265	Instruction Sheet, Tilt Release Lever	1	1
	B	1073707	Clamp, Cylinder with Screws	2	1

NOTE: A - Includes items 1-3,17, & 18. Cylinders NOT included see items 7 and 8.  
 B - Not Shown  
 C - Before 1/98  
 D - After 12/97

# Adjustable Height Arms



**Arm Attaching Hardware**

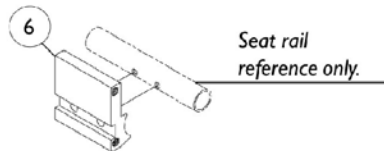
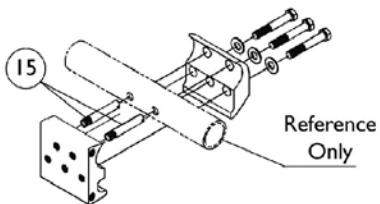
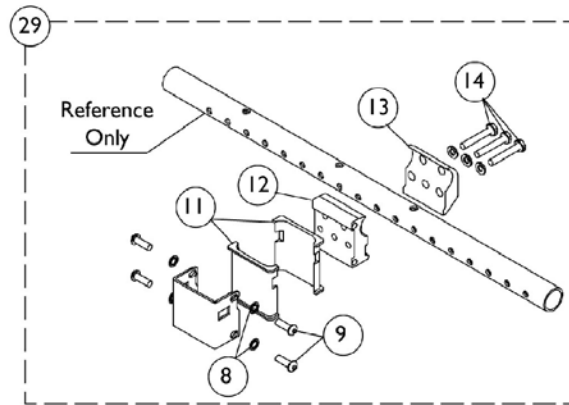
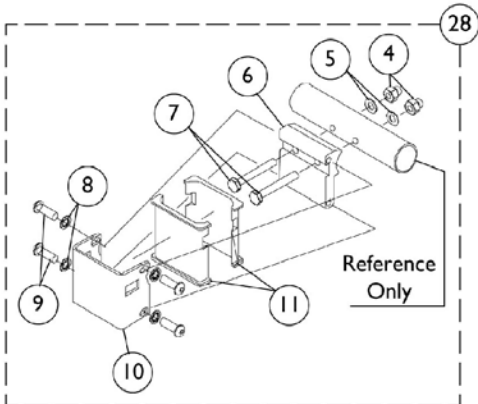
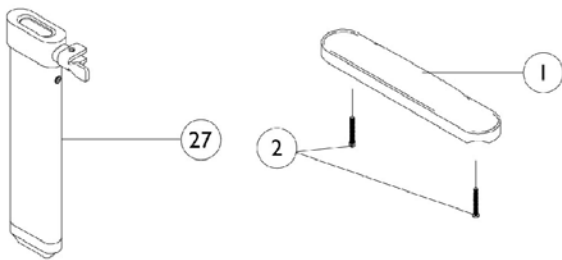
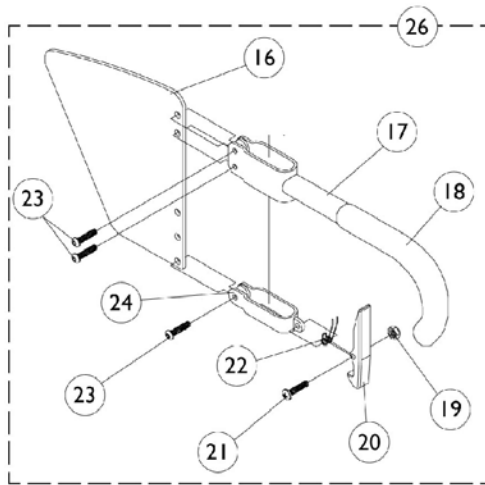
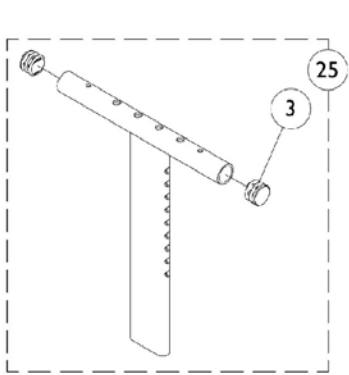


## Adjustable Height Arms

Item Number	Note	Part Number	Description	Quantity Per	
				Package	Assembly
1	A	8881053578	Arm Pads, Vinyl, Desk Length with Screws (9" L x 2" W)	2	1
1	A	8881053577	Arm Pads, Vinyl, Full Length with Screws (14" L x 2" W)	2	1
2		1027095	Plug Button, Black (7/8")	1	2
3		1025714	Screw, Phillips Head (#10-32 x 1-1/8")	1	2
4		1070859	Arm Tube, Upper with Plug Buttons (Black) - Desk Length	1	1
4		1041522	Arm Tube, Upper with Plug Buttons (Black) - Full Length	1	1
10	B	1035892	Adjustable Height Arm Base Assembly - Right	1	1
			Base, Adjustable Height Arm	1	1
5			Kit, Lock Handle w/Rivets (both LT & RT side)	1	1
6			Spring, Arm Lock	1	1
7			Pin, Arm Lock	1	1
8			Rivet	1	6
9			Clothing Guard	1	1
10	B	1035893	Adjustable Height Arm Base Assembly - Left	1	1
			Base, Adjustable Height Arm	1	1
5			Kit, Lock Handle w/Rivets (both LT & RT side)	1	1
6			Spring, Arm Lock	1	1
7			Pin, Arm Lock	1	1
8			Rivet	1	6
9			Clothing Guard	1	1
11		1065362	Locknut (1/4-28)	1	3
12		1048987	Arm Socket, Front - Right	1	1
12		1048988	Arm Socket, Front - Left	1	1
13		1083099	Screw, Socket Button Head (1/4-28 x 1-1/2")	1	3
14		1048835	Arm Socket, Rear - Right/ Left	1	1
15		1009838	Screw, Socket Head (1/4-20 x 3/4")	1	1

NOTE: A - Specify upholstery color U67 Black when ordering  
 B - Includes Arm Base plus items 5-9

# Arms - "T" Arm



**NOTE:** For Adult Tilt Chairs With 20", 22" 24" Rear Wheels and Also on Orbit Seats Which are Mounted on A Power Tiger Base, Attach Item 6 Upside Down To Prevent Wheellock Interference. Items 10 and 11 Will Not be Attached Upside Down.

## Arms - "T" Arm

Item Number	Note	Part Number	Description	Quantity Per	
				Package	Assembly
1	A	8881053570	Arm Pads with Screws - Desk Length	2	1
1	A	8881053571	Arm Pads with Screws - Full Length	2	1
2		1055205	Package, Screw Phillips Head (#10-32 x 1-3/8")	2	1
3		1027095	Plug Button, Black (7/8")	1	2
4	B	1085111	Hex Nut (1/4-28)	1	2
5	B	1026907	Washer (1/4 x 1/2 x 1/16")	1	3
6		1069629	Bracket, T-Arm Socket (Threaded)	1	1
7	B	1055348	Screw, Hex Head Cap (1/4-28 x 1-3/4")	1	2
8		1026108	Lockwasher (1/4 x 15/32 x 1/64")	1	4
9		1055305	Screw, Button Head Socket Cap (1/4-28 x 3/4")	1	4
10		1069620	Bracket, Socket	1	1
11		1069609	Insert, Arm Socket	1	2
12		1075162	Clamp, "T" Arm Socket -Outside	1	1
13		1069605	Clamp, "T" Arm Socket -Inside	1	1
14		1055347	Screw, Hex Head (1/4-28 x 1-1/2")	1	3
15		1058545	Lever, Actuator	1	1
16		1069651	Clothing Guard, High Range	1	1
16		1069652	Clothing Guard, Low Range	1	1
17		1069650	Support Tube, High Range - Right	1	1
17		1073246	Support Tube, High Range - Left	1	1
18		1006229	Grip, Foam (8")	1	1
19		1025731	Locknut (#10-32)	1	1
20		1073235	Lock Lever	1	1
21		7930328	Screw, Phillips Pan Head (#10-32 x 11/16")	25	1
22		1073196	Spring	1	1
23		1006773	Screw, Socket Head (1/4-20 x 1/2")	1	3
24		1075069	Clamp, Clothing Guard - Right	1	1
24		1075070	Clamp, Clothing Guard - Left	1	1
25		1069639	"T" Arm w/ Plug Buttons, Desk Length - Low Range	1	1
25		1069643	"T" Arm w/ Plug Buttons, Full Length - Low Range	1	1
25		1069641	"T" Arm w/ Plug Buttons, Desk Length - High Range	1	1
25		1069645	"T" Arm w/ Plug Buttons, Full Length - High Range	1	1
26		1073424	Kit, Clothing Guard, Low Range - Right	1	1
26		1073425	Kit, Clothing Guard, Low Range - Left	1	1
26		1073422	Kit, Clothing Guard, High Range - Right	1	1
26		1073423	Kit, Clothing Guard, High Range - Left	1	1
27		1069635	Arm Post, Low Range	1	1
27		1069637	Arm Post, High Range	1	1
28	C	1069632	Kit, Arm Post Attaching Hardware, Bolt On	1	1
29	D	1069627	Arm Post Attaching Hardware, Clamp On	1	1
	E	See Chart	Arms - "T" Arm	1	1

## Arms - "T" Arm

NOTE: A - Specify U67 upholstery color when ordering.  
B - Items 17, 18, 20 must be ordered together for chairs manufactured before 8/13/99 due to a change in hardware.  
C - After 7/14/97; Includes Items 4-11.  
D - Before 7/15/97; Includes Items 5, 8, 9, and 12-14.  
E - Includes items 1-2 and 25-27.

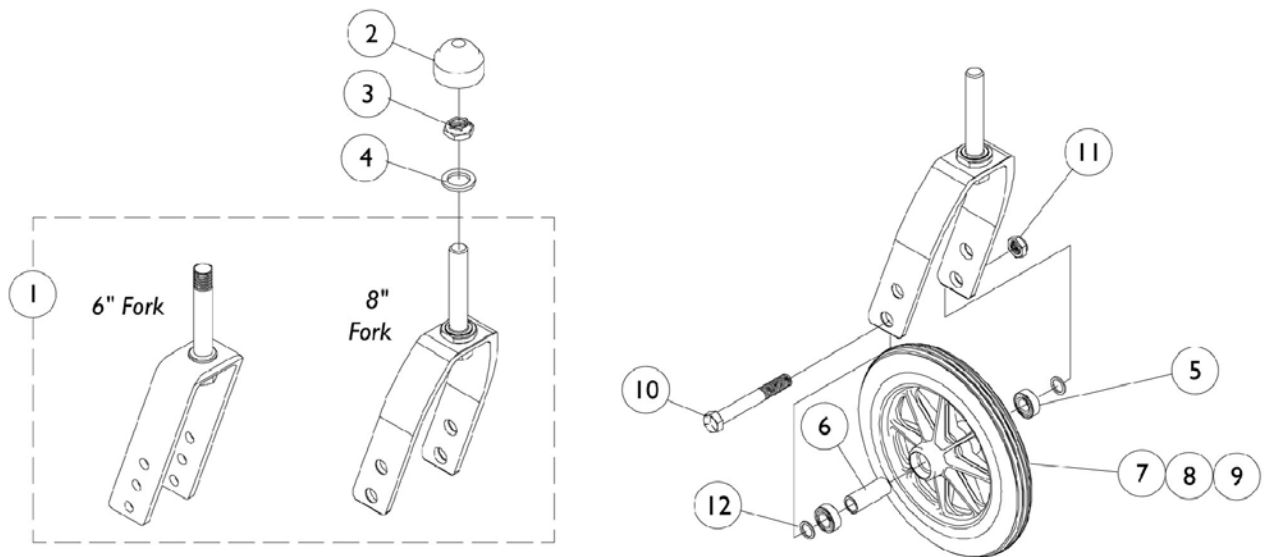
### "T" Arm Kits

**Kits Include Items 1,2,25-27**

Part Number	Arm Style
8881074078	Desk Length, Low Range (1 Pair)
8881074079	Desk Length, High Range (1 Pair)
8881074080	Full Length, Low Range (1 Pair)
8881074081	Full Length, High Range (1 Pair)

Specify U67 upholstery color when ordering.

# Casters and Forks



## Casters and Forks

Item Number	Note	Part Number	Description	Quantity Per	
				Package	Assembly
1	A	1037420	Fork and Stem Assembly, Aluminum (Black) - 6" Urethane Caster	1	1
1	B	1050138	Fork and Stem	1	1
2		1001843	Cap, Head Tube (Black)	1	1
3		7930302	Locknut (1/2-20)	25	1
4		7930317	Washer Nylon (5/8 x 15/16 x 3/32")	25	1
5-9		See Chart	#'s 5-9 Caster Wheels	1	1
10-12	See Chart	#'s 10-12 Caster Hardware	1	1	

NOTE: A - AT902 (6 x 1") casters  
B - 1259 (6 x 2") and all 8" casters

## Caster Wheels

Wheel Style	Wheel Size	Tire Type	5. Bearing	6. Bearing Spacer	7. Wheel w/ Bearing	8. Tire	9. Tube/ Insert
AT902	6 x 1"	Urethane	40117X026	1026172	1029500	N/A	N/A
1259 (Before 8/15/03) See Note(s) A, B	6 x 2" Deep Profile	Semi Pneumatic	1006049	1020592	1122066 See Note(s) C, B	N/A	N/A
1259 (After 8/14/03) See Note(s) A	6 x 2" Deep Profile	Semi Pneumatic	1006049	1020592	1115179	N/A	N/A
1299	8 x 1"	Solid Rubber	1006049	1018982	1058137	1040144	N/A
1228	8 x 2"	Semi- Pneumatic	1006049	1020592	1070811	N/A	N/A
1292	8 x 1-1/4"	Pneumatic	1006049	1020592	1009481	40176X040	40176X041
1492	8 x 1-1/4"	Pneumatic w/ Flat Free	1006049	1020592	1030773	40176X040	1010904

NOTE: A - 1259 casters use 8" caster fork and stem.  
B - Due to product improvement, previous caster is NLA. Order (pair) part number 1122066 so casters will match. The deep profile caster has 2 tread grooves w/ round corners instead of 4 tread grooves w/ square corners.  
C - Part number 1122066 consists of 2 ea. casters.

## Caster Hardware

Wheel Style	Wheel Size	Tire Type	10. Axle	11. Locknut	12. Spacer
AT902	6 x 1"	Urethane	1025764	1025730	1026102
1259	6 x 2"	Semi- Pneumatic	1025764	1025730	1026102
1299	8 x 1"	Solid Rubber	1025726	1025734	1026101

# Casters and Forks

## Caster Hardware

Wheel Style	Wheel Size	Tire Type	10. Axle	11. Locknut	12. Spacer
1228	8 x 2"	Semi-Pneumatic	1025726	1025734	1025724
1292	8 x 1-1/4"	Pneumatic	1025726	1025734	1025724
1492	8 x 1-1/4"	Pneumatic w/ Flat Free	1025726	1025734	1025724

# Rear Wheels and Axle Hardware

## Rear Wheels (without Handrims)

Wheel Type	Wheel Size	Tire Type	Wheel (Single No.)	Tire	Tube Insert	Bearing
Composite	12"	Pneumatic	1049138	1011524	1011525	40117X022
Composite	12"	Pneumatic w/ Flat Free	1049139	1011524	1027176	40117X022
Composite	20"	Pneumatic	1026422	1017519	1017520	40117X022
Composite	20"	Pneumatic w/ Flat Free	1026423	1017519	1023322	40117X022
Composite	20"	Urethane	1038364	1037774	N/A	40117X022
Composite	22"	Pneumatic	1026420	1018544	1018545	40117X022
Composite	22"	Pneumatic w/ Flat Free	1026421	1018544	1023323	40117X022
Composite	22"	Urethane	1032116	1028250	N/A	40117X022
Composite	24"	Pneumatic	1026362	40176X060	40176X061	40117X022
Composite	24"	Pneumatic w/ Flat Free	1026363	40176X060	1010906	40117X022
Composite	24"	Urethane	1032118	1026904	N/A	40117X022

## Axle Hardware

Item Number	Note	Part Number	Description	Quantity Per	
				Package	Assembly
	A	1040361	Axle, Quick Release w/ Locknut (1/2" x 5")	1	1
	A	1047714	Screw, Hex Head (1/2-20 x 5") w/ Locknut	1	1
	A	1025737	Locknut (1/2-20)	1	1
	A	See Chart	Rear Wheels and Axle Hardware	1	1

NOTE: A - Not Shown



# Handrims

## Handrims

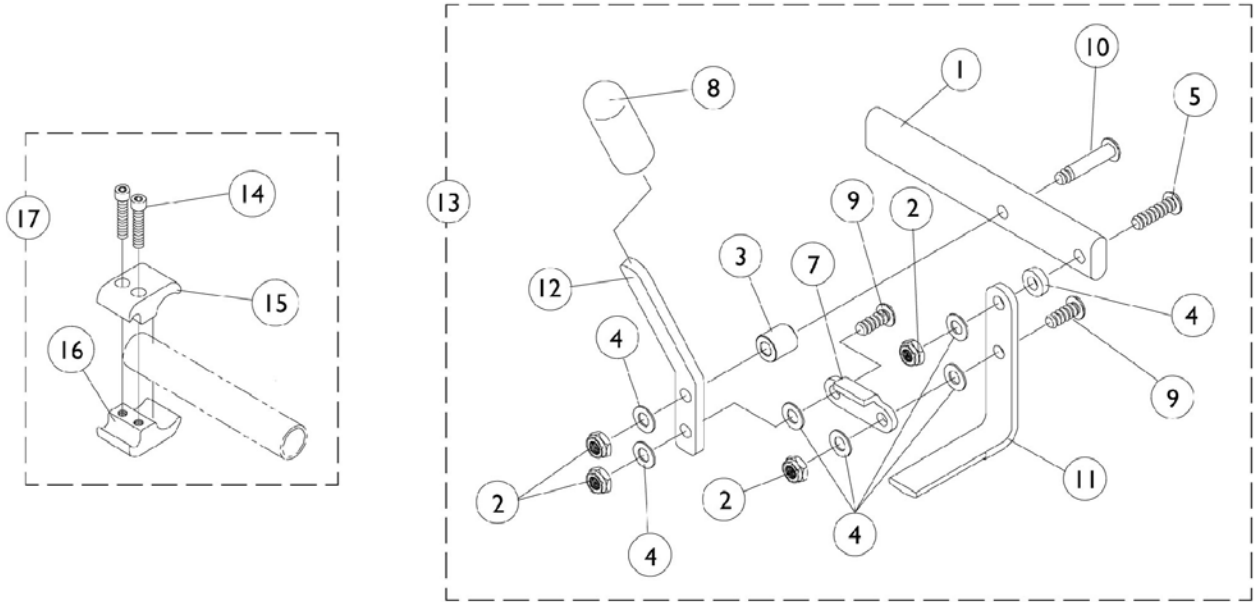
### (Attaching Hardware for Single Handrim Only)

Wheel Type	Handrim Type	Handrim	Attaching Points	Attaching Hardware
20" Composite	Anodized Aluminum	1020017	7	1025153
20" Composite	Black Plastic Coated	1115400 See Note(s) A	7	1025158
22" Composite	Anodized Aluminum	1020018	7	1025153
22" Composite	Black Plastic Coated	1115401 See Note(s) A	7	1025158
24" Composite	Anodized Aluminum	1015406	7	1025153
24" Composite	Black Plastic Coated	1115397 See Note(s) A	7	1025158
24" Composite	Black Plastic Coated -8 Vertical Projection	1115394 See Note(s) A	7	1062764
24" Composite	Black Plastic Coated -8 Oblique Projection	1115396 See Note(s) A	7	1062765
24" Composite	Black Plastic Coated -12 Vertical Projection	1115395 See Note(s) A	7	1062765

NOTE: A - Grey Plastic Coated Handrims are no longer available and have been replaced with black. If only one grey handrim is requested order the black handrims in pairs.

# Wheel Locks

## Push to Lock



## Wheel Locks Push to Lock

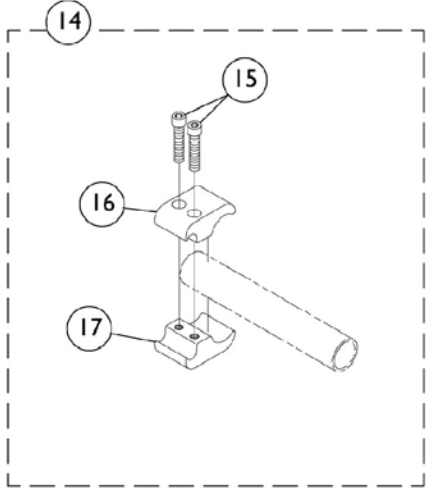
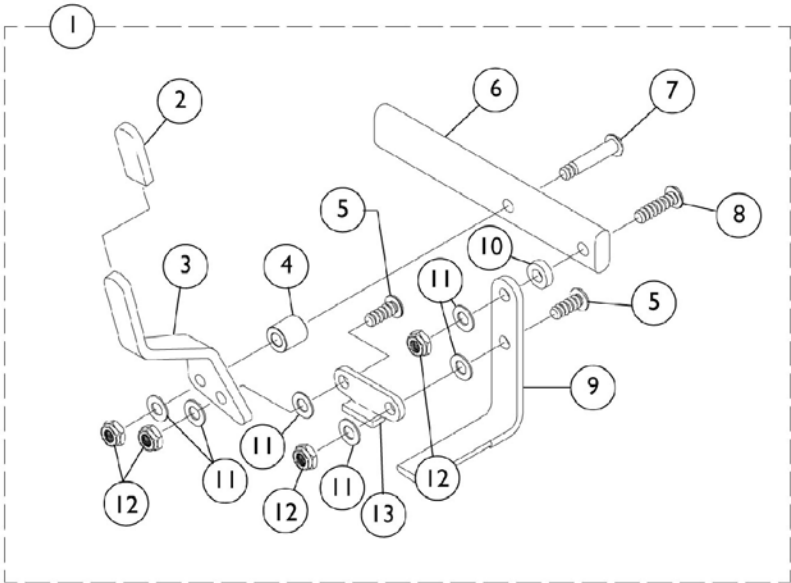
Item Number	Note	Part Number	Description	Quantity Per	
				Package	Assembly
1		1048698	Strap, Wheel Lock	1	1
2		7930323	Pkg, Locknut (1/4-20)	25	4
3		1020363	Spacer (1/4 x 1/2 x 1/2")	1	1
4		1026103	Washer, Nylon (1/4 x 1/2 x 1/32")	1	6
5		1028410	Screw, Button Head (1/4-20 x 7/8")	1	1
6		1028411	Spacer (1/4 x 1/2 x 5/32")	1	1
7		1018733	Link	1	1
8		47376X024	Tip, Wheel Lock Rubber	1	1
9		1007269	Screw, Socket Button Head (1/4-20 x 5/8")	1	2
10		1015176	Screw, Button Head (1/4-20 x 1-1/4")	1	1
11		1021405	Shoe, Wheel Lock	1	1
12		1028414	Handle, Wheel Lock (Right/ Left)	1	1
13		1045936	Wheel Lock Assembly, Push to Lock, Right	1	1
13		1045937	Wheel Lock Assembly, Push to Lock, Left	1	1
14		1027268	Screw, Allen Head (1/4-20 x 1")	1	2
15		1026097	Clamp, Wheel Lock, Non-Threaded (1")	1	1
16		1026096	Clamp, Wheel Lock, Threaded (1")	1	1
17		1039344	Kit, Wheel Lock Attaching Hardware (1" tubing)	1	1
			Clamp, Wheel Lock, Threaded (1")	1	2
			Clamp, Wheel Lock, Non-Threaded (1")	1	2
			Screw, Allen Head (1/4-20 x 1")	1	4
	A	1048656	Kit, Wheel Lock Shoe Spacer	1	1
			Spacer, Wheel Lock Shoe (1-45/64" Long)	1	1
			Screw, Set (#8-32 x 3/16")	1	2

NOTE: A - Not Shown

When using 20" rear wheels order, 2 ea. of 1048656 wheel lock shoe spacers.

# Wheel Locks

Pull to Lock

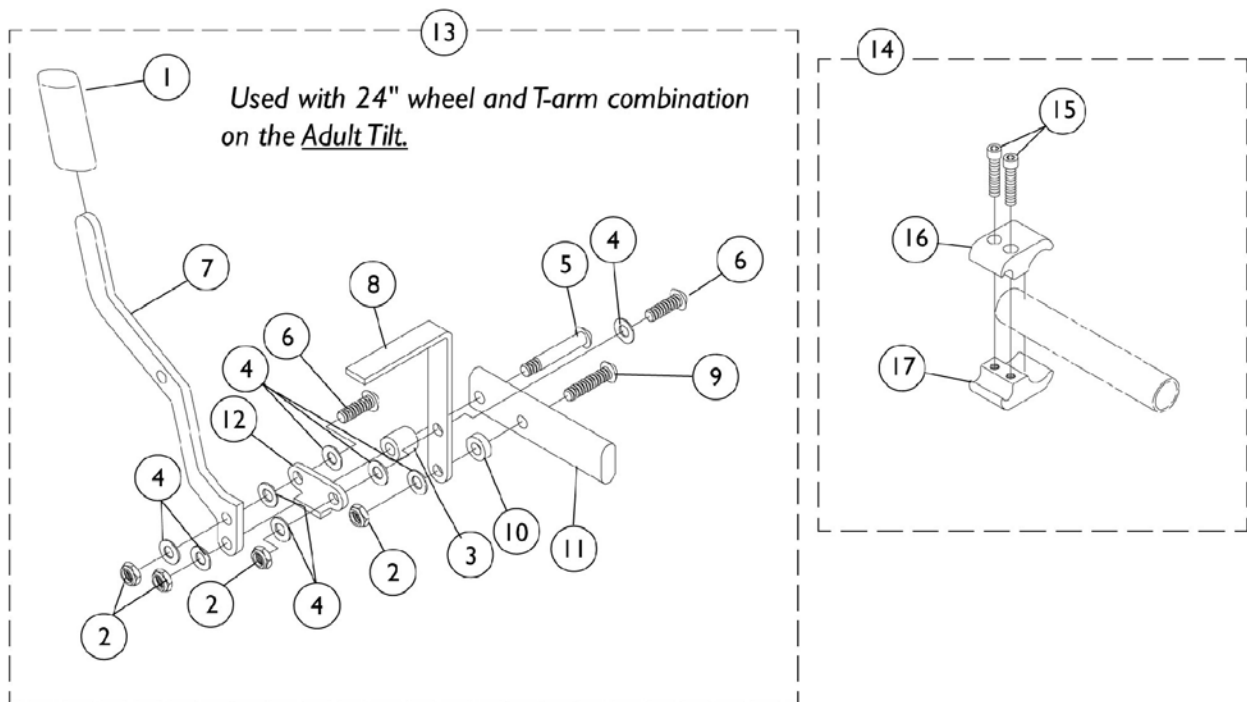


## Wheel Locks Pull to Lock

Item Number	Note	Part Number	Description	Quantity Per	
				Package	Assembly
1		1049208	Wheel Lock Assembly, Right	1	1
1		1049209	Wheel Lock Assembly, Left	1	1
2		47376X024	Tip, Wheel Lock Rubber	1	1
3		1031780	Handle, Pull/Lock (Black) - Right	1	1
3		1031781	Handle, Pull/Lock (Black) - Left	1	1
4		1020363	Spacer (1/4 x 1/2 x 1/2")	1	1
5		1007269	Screw, Socket Button Head (1/4-20 x 5/8")	1	2
6		1048698	Strap, Wheel Lock	1	1
7		1015176	Screw, Button Head (1/4-20 x 1-1/4")	1	1
8		1028410	Screw, Button Head (1/4-20 x 7/8")	1	1
9		1021405	Shoe, Wheel Lock	1	1
10		1028411	Spacer (1/4 x 1/2 x 5/32")	1	1
11		1026103	Washer, Nylon (1/4 x 1/2 x 1/32")	1	6
12		7930323	Pkg, Locknut (1/4-20)	25	4
13		1018733	Link	1	1
14		1039344	Kit, Wheel Lock Attaching Hardware (1" tubing)	1	1
			Clamp, Wheel Lock, Threaded (1")	1	2
			Clamp, Wheel Lock, Non-Threaded (1")	1	2
			Screw, Allen Head (1/4-20 x 1")	1	4
15		1027268	Screw, Allen Head (1/4-20 x 1")	1	2
16		1026097	Clamp, Wheel Lock, Non-Threaded (1")	1	1
17		1026096	Clamp, Wheel Lock, Threaded (1")	1	1
	A	1048656	Kit, Wheel Lock Shoe Spacer	1	1
			Spacer, Wheel Lock Shoe (1-45/64" Long)	1	1
			Screw, Set (#8-32 x 3/16")	1	2

NOTE: A - Not Shown

# Wheel Locks Used with "T" Arms

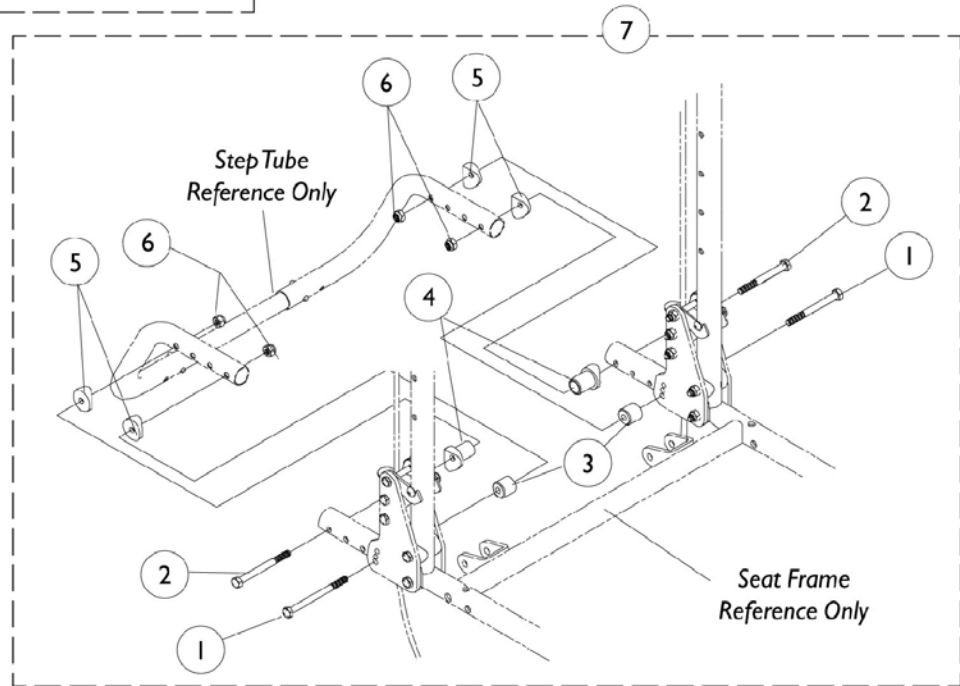
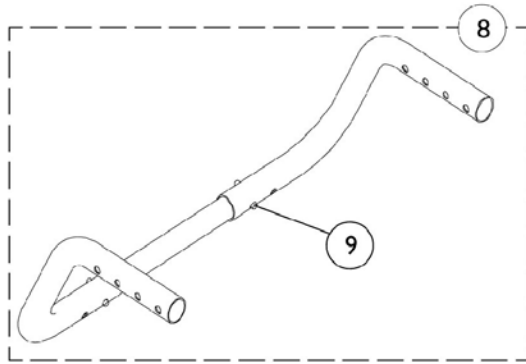


## Wheel Locks Used with "T" Arms

Item Number	Note	Part Number	Description	Quantity Per	
				Package	Assembly
1		1006490	Tip, Black	1	1
2		7930334	Locknut (1/4-28)	25	4
3		1020363	Spacer (1/4 x 1/2 x 1/2")	1	1
4		1026103	Washer, Nylon (1/4 x 1/2 x 1/32")	1	8
5		1059284	Screw, Button Head Socket (1/4-28 x 1-1/4")	1	1
6		1055304	Screw, Button Head Socket (1/4-28 x 5/8")	1	2
7		1059345	Handle, Wheel Lock -Right	1	1
7		1059346	Handle, Wheel Lock -Left	1	1
8		1021405	Shoe, Wheel Lock	1	1
9		1055306	Screw, Button Head Cap (1/4-28 x 7/8")	1	1
10		1028411	Spacer (1/4 x 1/2 x 5/32")	1	1
11		1028399	Strap, Wheel Lock	1	1
12		1018727	Link, Stop	1	1
13		1059343	Wheel Lock Assembly, Right	1	1
13		1059344	Wheel Lock Assembly, Left	1	1
14		1039344	Kit, Wheel Lock Attaching Hardware (1" tubing)	1	1
			Clamp, Wheel Lock, Threaded (1")	1	2
			Clamp, Wheel Lock, Non-Threaded (1")	1	2
			Screw, Allen Head (1/4-20 x 1")	1	4
15		1027268	Screw, Allen Head (1/4-20 x 1")	1	2
16		1026097	Clamp, Wheel Lock, Non-Threaded (1")	1	1
17		1026096	Clamp, Wheel Lock, Threaded (1")	1	1
	A	1048656	Kit, Wheel Lock Shoe Spacer	1	1
			Spacer, Wheel Lock Shoe (1-45/64" Long)	1	1
			Screw, Set (#8-32 x 3/16")	1	2

NOTE: A - Not Shown

# Adult Tilt Foot Assist Option (ATFA)

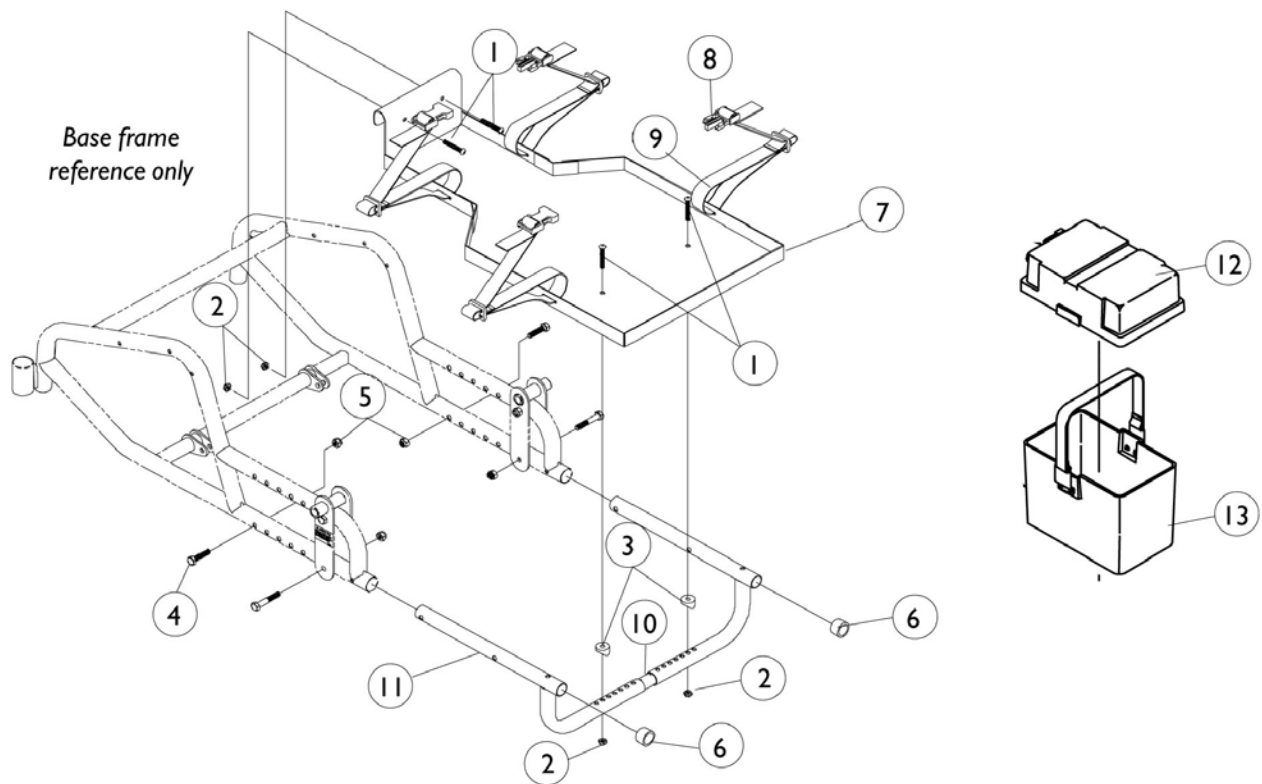




## Adult Tilt Foot Assist Option (ATFA)

Item Number	Note	Part Number	Description	Quantity Per	
				Package	Assembly
1		1064329	Screw, Hex Head Cap (1/4-28 x 3-1/2")	1	2
2		1063208	Screw, Hex Head Cap (1/4-28 x 3-1/4")	1	2
3		1064328	Spacer, Nylon (1/4 x 3/4 x 5/8")	1	2
4		1017148	Plug, Pivot	1	2
5		40157X020	Spacer, Coved (1/4 x 1 x 9/16")	1	4
6		7930342	Locknut (1/4-28)	25	4
7		1064330	Adult Tilt Foot Assist Mounting Hardware	1	1
8	A,D	1064070	Step Tube Assembly without Hardware	1	1
8	B,D	1064069	Step Tube Assembly without Hardware	1	1
8	C,D	1064068	Step Tube Assembly without Hardware	1	1
9		1025763	Spring, Double Button	1	1
NOTE: A - 14-16" Wide B - 17-19" Wide C - 20-22" Wide D - Step Tube Assembly does not include attaching hardware, order item #7 to attach A.T.F.A. option.					

# Vent Tray

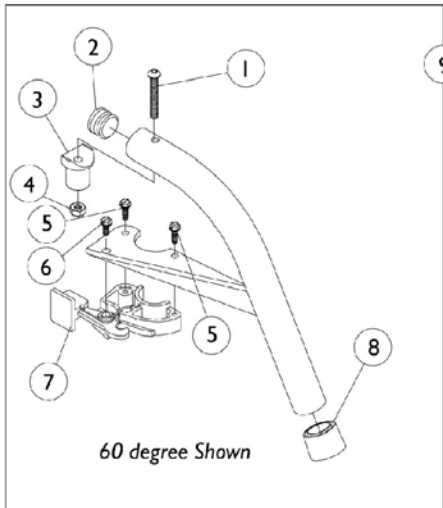


# Vent Tray

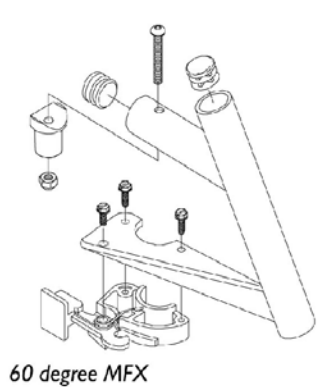
Item Number	Note	Part Number	Description	Quantity Per	
				Package	Assembly
1		1008432	Screw, Button Head Socket (1/4-20 x 1-1/4")	1	4
2		7930323	Pkg, Locknut (1/4-20)	25	4
3		40157X020	Spacer, Coved (1/4 x 1 x 9/16")	1	2
4		1028478	Screw, Hex Head (5/16-18 x 1-1/4")	1	2
5		1028769	Locknut (5/16-18)	1	2
6		15680X012	Collar, Anti-Rattle (7/8")	1	2
7	A	1052427	Vent Tray with Straps	1	1
8		1052426	Buckle, Slide Release	1	1
9		1052424	Strap with Slide Release Buckle (22" Long)	1	1
10	B	8881052421	Insert Tube, Color	1	1
10	C	1052422-NLA	Insert Tube, Chrome	1	1
11	B	8881052417	Extension Tube, Color, Right	1	1
11	B	8881052418	Extension Tube, Color, Left	1	1
11		1052419	Extension Tube, Chrome, Right	1	1
11		1052420	Extension Tube, Chrome, Left	1	1
12	D	1097003	Battery Box Top, Rear (22NF)	1	1
13		1057944	Battery Box Bottom with Strap	1	1

NOTE: A - Vent Tray Option can only be used on Base Frames without rear cross tube.  
 B - Specify Frame color when ordering.  
 C - If chrome Insert Tube is requested it must be ordered as "special". Use part number 1052421 when ordering.  
 D - 16-20" Wide

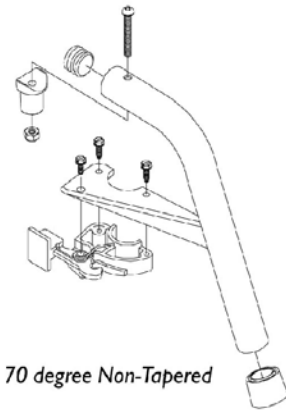
# Footrest Support Assemblies (Swingaway 60 Degree, 70 Degree, and 90 Degree)



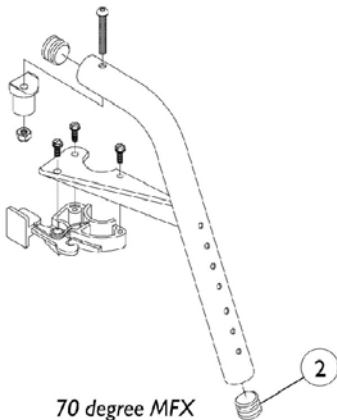
60 degree Shown



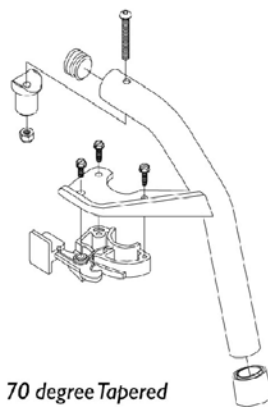
60 degree MFX



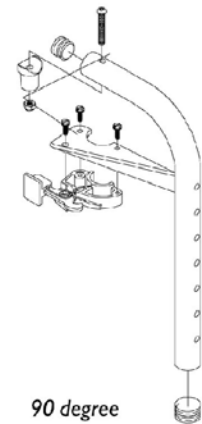
70 degree Non-Tapered



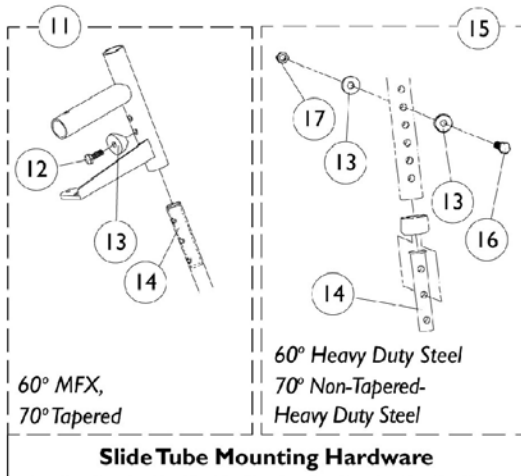
70 degree MFX



70 degree Tapered



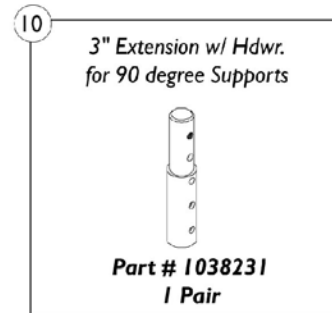
90 degree



60° MFX,  
70° Tapered

60° Heavy Duty Steel  
70° Non-Tapered-  
Heavy Duty Steel

**Slide Tube Mounting Hardware**



3" Extension w/ Hdw.  
for 90 degree Supports

**Part # 1038231**  
**1 Pair**

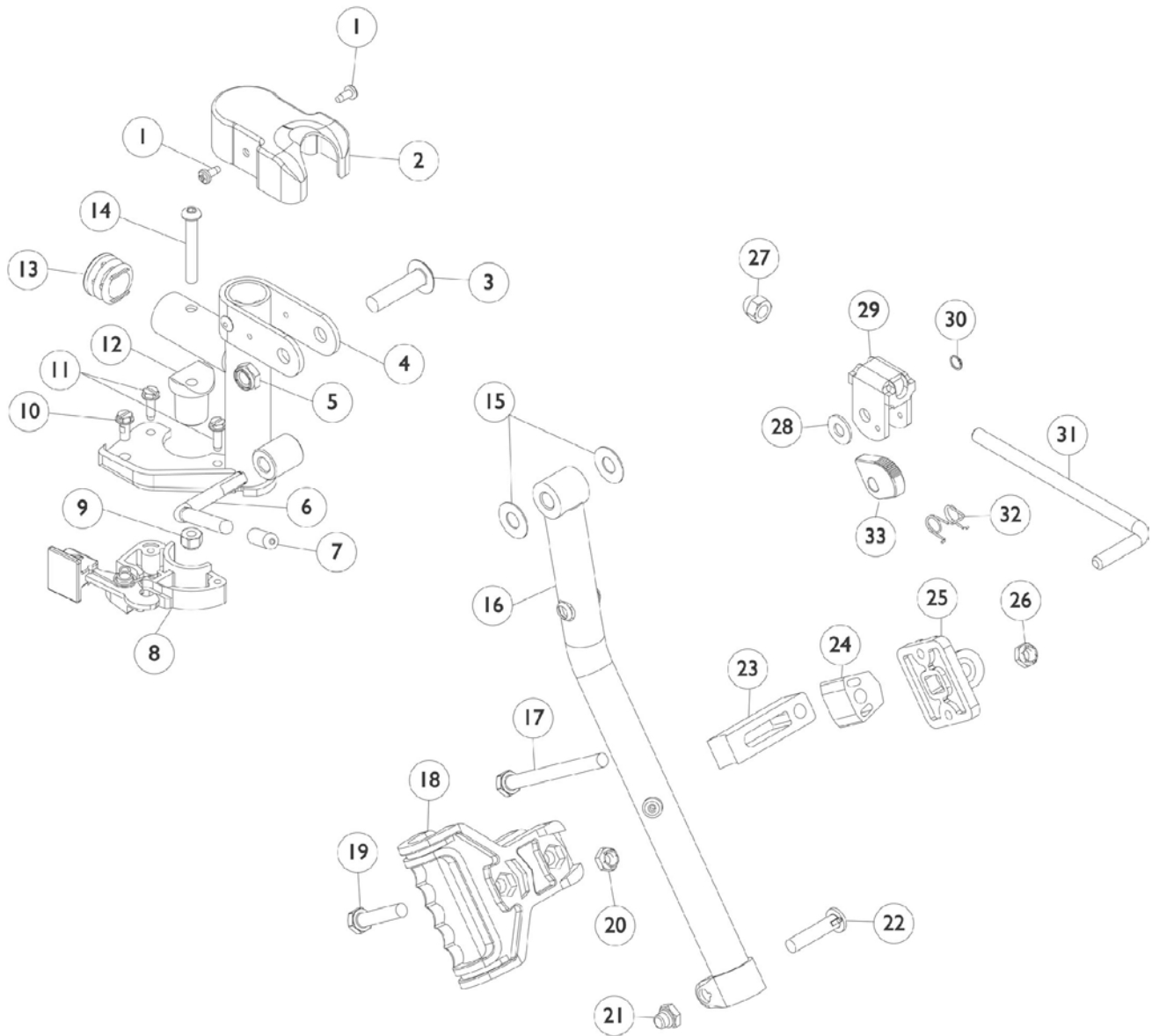
## Footrest Support Assemblies (Swingaway 60 Degree, 70 Degree, and 90 Degree)

Item Number	Note	Part Number	Description	Quantity Per	
				Package	Assembly
1		7930321	Screw, Socket Button Head (1/4-20 x 1-7/8")	25	1
2		1029501	Plug Button (1")	1	1
3		1017148	Plug, Pivot	1	1
4		7930333	Locknut (1/4-20)	25	1
5		1025451	Screw, Hex Head (#10-32 x 5/8")	1	2
6		7930314	Screw, Slotted Hex Head (#10-32 x 1/2")	25	1
7		1025454	Latch Housing - Right	1	1
7		1025455	Latch Housing - Left	1	1
8		1026124	Anti-Rattle Collar	1	1
9	A	8881026992	Footrest Support Assembly, 60° - Right	1	1
9	A	8881026993	Footrest Support Assembly, 60° - Left	1	1
9	A	8881026998	Footrest Support Assembly, 60° MFX - Right	1	1
9	A	8881026999	Footrest Support Assembly, 60° MFX - Left	1	1
9	A	8881053158	Footrest Support Assembly, 60° Heavy Duty - Right	1	1
9	A	8881053157	Footrest Support Assembly, 60° Heavy Duty - Left	1	1
9	A	8881026994	Footrest Support Assembly, 70° Non Tapered - Right	1	1
9	A	8881026995	Footrest Support Assembly, 70° Non Tapered - Left	1	1
9	A	8881026996	Footrest Support Assembly, 70° Tapered - Right	1	1
9	A	8881026997	Footrest Support Assembly, 70° Tapered - Left	1	1
9	A	8881047481	Footrest Support Assembly, 70° MFX - Right	1	1
9	A	8881047480	Footrest Support Assembly, 70° MFX - Left	1	1
9	A	8881053149	Footrest Support Assembly, 70° Non-Tapered, Heavy Duty - Right	1	1
9	A	8881053148	Footrest Support Assembly, 70° Non-Tapered Heavy Duty - Left	1	1
9	A	8881062596	Footrest Support Assembly, 90° - Right	1	1
9	A	8881062597	Footrest Support Assembly, 90° - Left	1	1
10	A	8881038231	Kit, 3" Extension w/ Hardware	2	1
11		1026703	Kit, Pivot/Slide Tube Mounting Hardware	2	1
12		1045267	Screw, Hex Head (1/4-20 x 3/4")	1	1
13		1026099	Spacer, Coved (1/4 x 11/16 x 1/2")	1	2
14		1020534	Insert, Threaded	1	1
15		1074143	Kit, Slide Tube Mounting Hardware	1	1
16		1070759	Screw, Hex Head Cap (1/4-20 x 1-1/2")	1	1
17		7930338	Nut, Acorn (1/4-20)	1	1
	B	1026987	Impact Guard, 8" Long	1	1

NOTE: A - Specify frame color when ordering.  
B - Not Shown

# Legrest Support Assemblies (AT5044)

Specify frame color when ordering.



# Legrest Support Assemblies (AT5044)

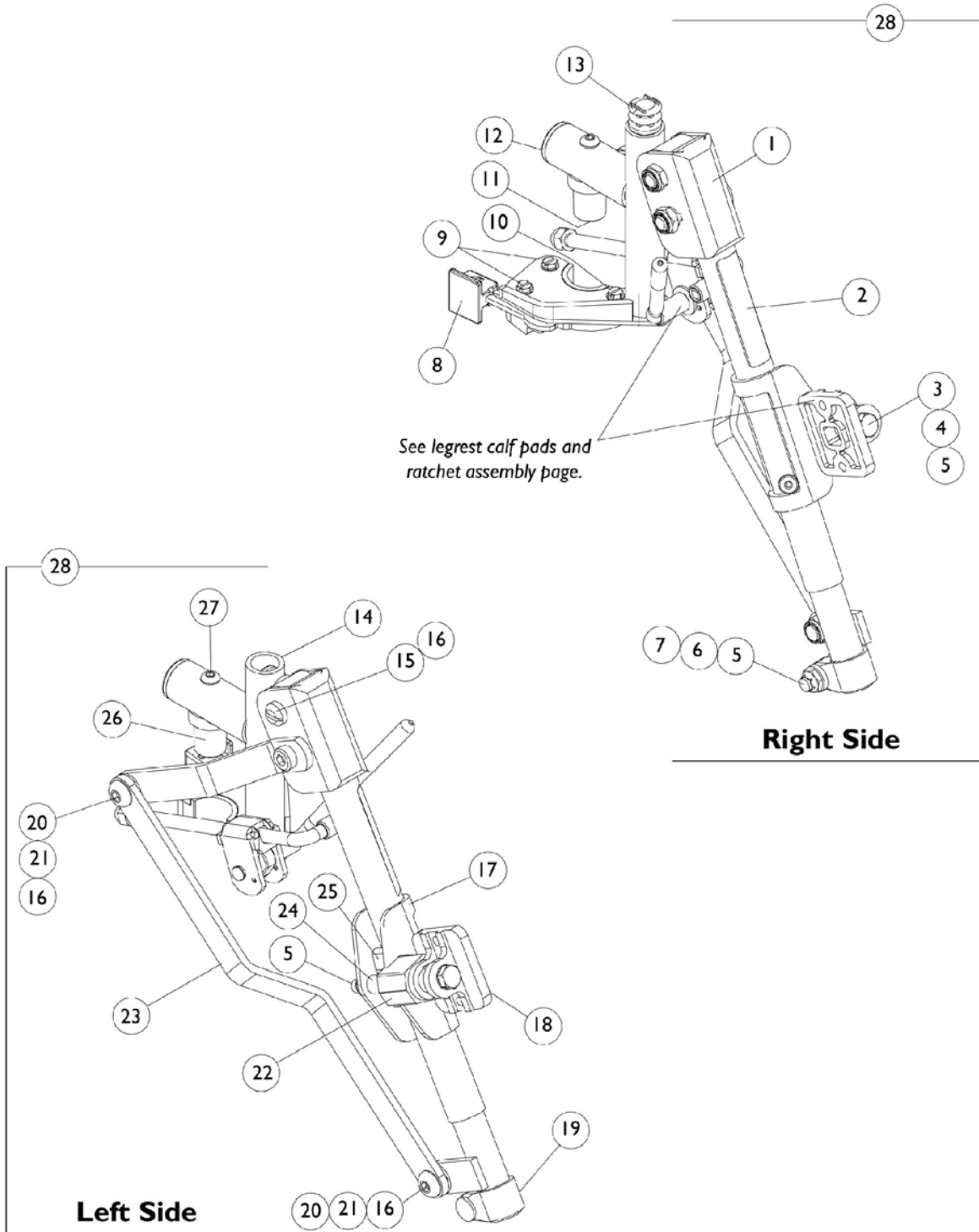
Specify frame color when ordering.

Item Number	Note	Part Number	Description	Quantity Per	
				Package	Assembly
1		1025729	Screw, Self Tapping Pan Head (#8-32 x 3/8")	1	2
2		1017187	Cover, Top	1	1
3		11919X000	Screw, Truss Head (3/8-16 x 1-1/2")	1	1
4		8881045289	Bracket, Legrest Support - Right	1	1
4		8881045290	Bracket, Legrest Support - Left	1	1
5		40363X000	Hex Nut (3/8"-16)	1	1
6		1037126	Handle, Release	1	1
7		1040060	Tip	1	1
8		1025454	Latch Housing - Right	1	1
8		1025455	Latch Housing - Left	1	1
9		1025736	Locknut (1/4-20)	1	1
10		1017423	Screw, Hex Head (#10-32 x 1/2")	1	1
11		1025451	Screw, Hex Head (#10-32 x 5/8")	1	2
12		1017148	Plug, Pivot	1	1
13		1029501	Plug Button (1")	1	1
14		1001762	Screw, Socket Button Head (1/4-20 x 1-3/4")	1	1
15		1058636	Washer, Nylon (25/64 x 7/8 x 1/32")	1	2
16		8881048851	Tube, Elevating Support (Color) - Right	1	1
17		1037110	Screw, Hex Head (5/16-24 x 3-1/2")	1	1
18		1032266	Bracket, Legrest Pad Mounting	1	1
19		1028514	Screw, Hex Head (5/16-24 x 1-1/2")	1	1
20		1025730	Locknut (5/16-24)	1	1
21		1107321	Nut, Low Cap (5/16"-24)	1	1
22		1026030	Screw, Lug (5/16-24 x 1-3/8")	1	1
23		1032267	Spacer, Legrest Pad Mounting	1	1
24		1025133	Spacer, Legrest Pad	1	1
25		04526X019	Plate, Legrest Pad	1	1
26		1025730	Locknut (5/16-24)	1	1
27		10261X000	Acorn Nut (5/16"-24)	1	1
28		1013519	Washer, Nylon (5/16 x 11/16 x 1/16")	1	1
29		04528X002	Bracket, Release (Chrome)	1	1
30		1040831	Snap Ring	1	1
31		42326X001	Bar, Ratchet	1	1
32		1037485	Spring, Release	1	1
33		1037125	Cam, Legrest	1	1
	A,B	8881045291	Legrest Support Assembly w/o Pad - Right	1	1
	A,B	8881045292	Legrest Support Assembly w/o Pad - Left	1	1

NOTE: A - Not Shown  
B - Includes Items 1-33.

# Articulating Legrests (ATL4A)

1082540 -Right, 1082541 -Left





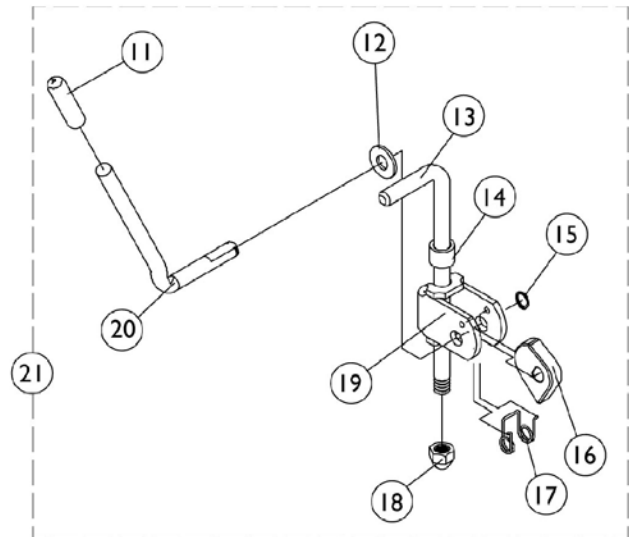
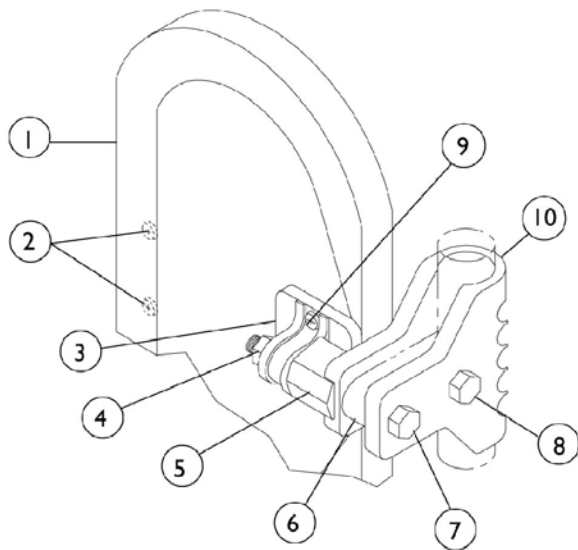
## Articulating Legrests (ATL4A)

### 1082540 -Right, 1082541 -Left

Item Number	Note	Part Number	Description	Quantity Per	
				Package	Assembly
1		1022877	Tube Support and Drive Link - Right	1	1
1		1022878	Tube Support and Drive Link - Left	1	1
2		1024911	Decal, Smartleg	1	1
3		1014807	Screw, Hex Head (5/16-24 x 3-1/4")	1	1
4		47330X003	Spacer (5/16 x 1/2 x 3/8")	1	1
5		7930363	Pkg, Locknut (5/16"-24)	25	2
6		1027377	Washer (#20)	1	1
7		11232X009	Screw, Lug (5/16-24 x 1-3/8")	1	1
8		1025454	Latch Housing - Right	1	1
8		1025455	Latch Housing - Left	1	1
9		1025451	Screw, Hex Head (#10-32 x 5/8")	1	2
10		7930314	Screw, Slotted Hex Head (#10-32 x 1/2")	25	1
11		7930333	Locknut (1/4-20)	25	1
12		1029501	Plug Button (1")	1	1
13		1027097	Plug Button, Black (3/4")	1	1
14		1082538	Articulating Legrest Support - Right	1	1
14		1082539	Articulating Legrest Support - Left	1	1
15		1022854	Screw, Slotted Head Shoulder (1/2 x 1-1/8")	1	1
16		40363X000	Hex Nut (3/8"-16)	1	3
17		1025104	Bracket, Legrest (Chrome)	1	1
18		04526X019	Plate, Legrest Pad	1	1
19		1022848	Slide Tube, Articulating (Chrome) - Right	1	1
19		1022849	Slide Tube, Articulating (Chrome) - Left	1	1
20		1022866	Screw, Socket Button Head (3/8-16 x 3/4")	1	2
21		1049527	Washer, Nylon (3/8 x 3/4 x 1/16")	1	2
22		1025133	Spacer, Legrest Pad	1	1
23		1022846	Bar, Link	1	1
24		47328X003	Bushing, Pivot (5/16 x 7/16 x 7/8")	1	1
25		48823X008	Spring	1	1
26		1017148	Plug, Pivot	1	1
27		7930301	Pkg, Button Head Cap Screw (1/4-20 x 1-3/4")	25	1
28	A	1082540	Articulating Legrest Support Assembly - Right	1	1
28	A	1082541	Articulating Legrest Support Assembly - Left	1	1

NOTE: A - Includes Items 1-27

# Legrest Calf Pads and Ratchet Assembly

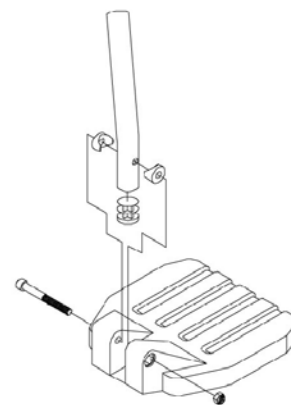
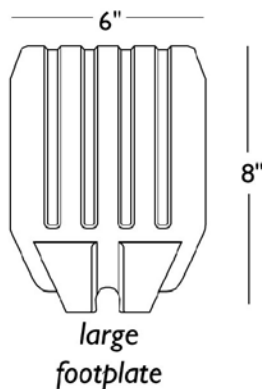
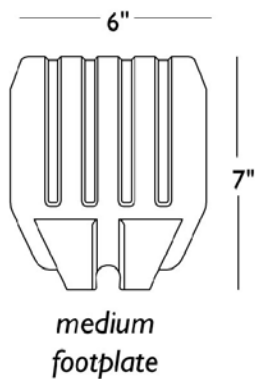
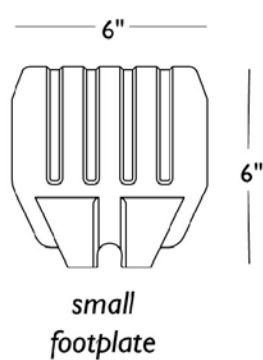


## Legrest Calf Pads and Ratchet Assembly

Item Number	Note	Part Number	Description	Quantity Per	
				Package	Assembly
1	A,B,G	8881091759	Pad w/Cover and Screws, Legrest Vinyl	2	1
1	A,C,G	8881091764	Pad, Legrest Vinyl - Right/Left	1	1
1		01415X000-NLA	Cover, Legrest Pad	1	1
1	A,H	88804529X003	Pad, Legrest Vinyl - Right	1	1
1	A,H	88804529X004	Pad, Legrest Vinyl - Left	1	1
2		40163X006	Screw, Phillips Head (#10-14 x 1/16")	1	1
3		04526X019	Plate, Legrest Pad	1	1
4		7930330	Locknut (5/16-24)	25	1
5		1025133	Spacer, Legrest Pad	1	1
6		1032267	Spacer, Legrest Pad Mounting	1	1
7		1037110	Screw, Hex Head (5/16-24 x 3-1/2")	1	1
8		1028514	Screw, Hex Head (5/16-24 x 1-1/2")	1	1
9		1066591	Screws, Phillips Head (#10-32 x 11/16")	1	1
10		1032266	Bracket, Legrest Pad Mounting	1	1
11		1040060	Tip	1	1
12		7930310	Washer, Nylon (5/16 x 11/16 x 1/16")	25	1
13	E	42326X004	Bar, Ratchet - Right/Left	1	1
13	F	42326X001	Bar, Ratchet	1	1
14		47330X003	Spacer (5/16 x 1/2 x 3/8")	1	2
15		1040831	Snap Ring	1	1
16		1037125	Cam, Legrest	1	1
17		1037485	Spring, Release	1	1
18		7930336	Nut, Acorn (5/16-24)	25	1
19		04528X002	Bracket, Release (Chrome)	1	1
20		1037126	Handle, Release	1	1
21	E	1023812	Bar, Ratchet - Left	2	1
21	F	1096974	Kit, Ratchet Elevating Legrest	2	1
	D,E	1042798	Instruction Sheet, Ratchet Kit	1	1
	D,F	1096943	Instruction Sheet, Ratchet Kit	1	1

NOTE: A - Specify U67 upholstery color when ordering.  
 B - Before 9/00  
 C - After 8/00  
 D - Not Shown  
 E - ATL4A  
 F - AT5044  
 G - 16-20" Wide  
 H - 14-15" Wide

# Composite Footplate (1651) and Pivot Tube Assemblies (Less Heel Loops)



# Composite Footplate (1651) and Pivot Tube Assemblies (Less Heel Loops)

**60 Degree  
13-19"  
Curved End**

	Small Long 14"	Small 2" Longer 14"	Medium Long 15"-16"	Medium 2" Longer 15"-16"	Large Long 17"-22"	Large 2" Longer 17"-22"
Right	1028391	1032627	1028387	1032625	1028383	1032623
Left	1028392	1032628	1028388	1032626	1028384	1032624

**60 Degree MFX  
9-3/4-14"  
Curved End**

	Small Short 14"	Medium Short 15"-16"	Large Short 17"-22"
Right	1028389	1028385	1028381
Left	1028390	1028386	1028382

**70 Degree  
14-19"  
Straight**

	Small Short 14"	Small 2" Longer 14"	Medium Short 15"-16"	Medium 2" Longer 15"-16"	Large Short 17"-22"	Large 2" Longer 17"-22"
Right	1042784	1042790	1042786	1042792	1042788	1042794
Left	1042785	1042791	1042787	1042793	1042789	1042795

# Composite Footplate (1651) and Pivot Tube Assemblies (Less Heel Loops)

**70 Degree Tapered**

**14-1/2-19-1/2"**

**Straight**

	Small Short 16"-17"	Small 2" Longer 16"-17"	Medium Short 18"-19"	Medium 2" Longer 18"-19"	Large Short 20"-22"	Large 2" Longer 20"-22"
Right	1042784	1042790	1042786	1042792	1042788	1042794
Left	1042785	1042791	1042787	1042793	1042789	1042795

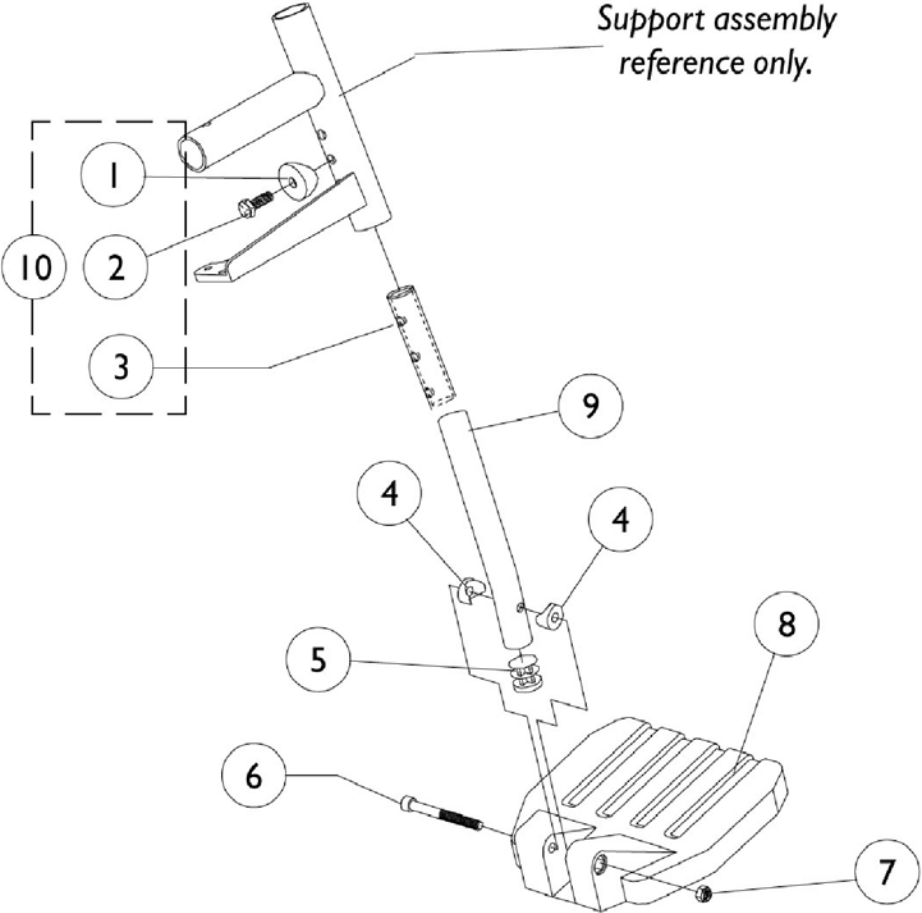
## Elevating Legrest

**16-20"**

**Curved End**

	Small Long 14"	Small 2" Longer 14"	Medium Long 15"-16"	Medium 2" Longer 15"-16"	Large Long 17"-22"	Large 2" Longer 17"-22"
Right	1028391	1032627	1028387	1032625	1028383	1032623
Left	1028392	1032628	1028388	1032626	1028384	1032624

# Footplate, Pivot Tube and Hardware - 1651 Composite

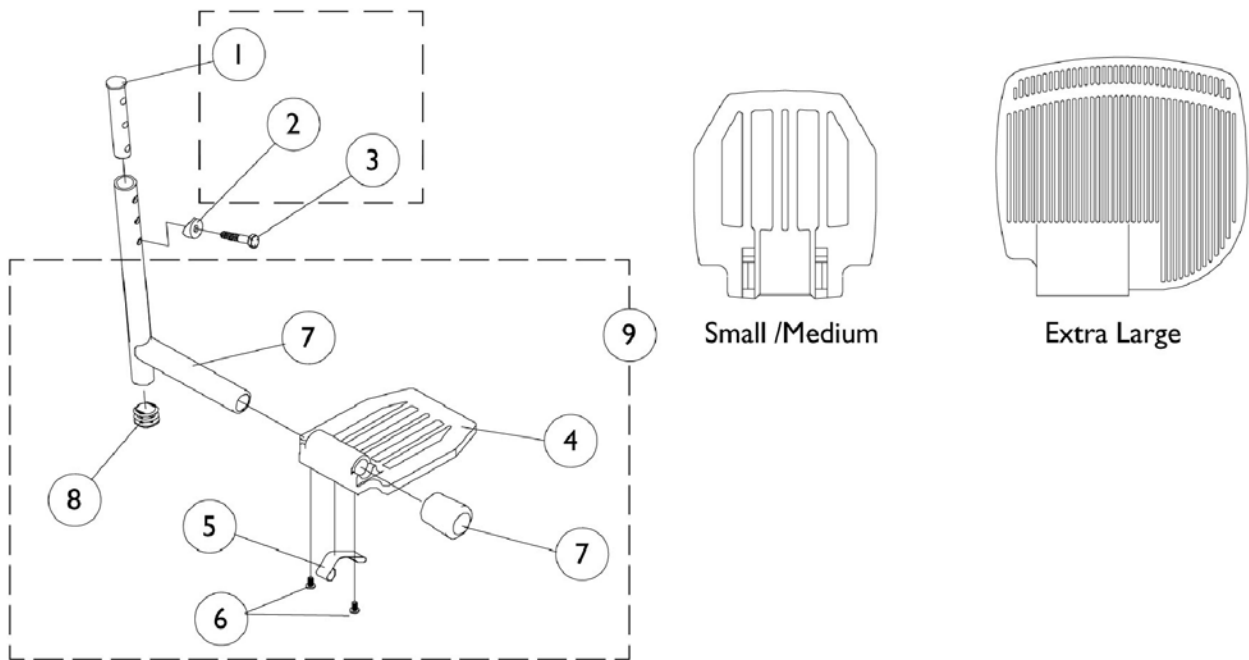


## Footplate, Pivot Tube and Hardware - 1651 Composite

Item Number	Note	Part Number	Description	Quantity Per	
				Package	Assembly
1		1026099	Spacer, Coved (1/4 x 11/16 x 1/2")	1	1
2		1045267	Screw, Hex Head (1/4-20 x 3/4")	1	1
3		1020534	Insert, Threaded	1	1
4		1025457	Spacer, Coved (1/4 x 3/4 x 11/32")	1	2
5		1027097	Plug Button, Black (3/4")	1	1
6		7930366	Screw, Socket Head Cap (1/4-20 x 2-1/4")	1	1
7		7930323	Pkg, Locknut (1/4-20)	1	1
8		1026879	Footplate, Composite - Small (6" W x 6" L)	1	1
8		1026880	Footplate, Composite - Medium (7" W x 6" L)	1	1
8		1026881	Footplate, Composite - Large (8" W x 6" L)	1	1
9		1120383	Pivot Slide Tube, Curved End - Short (8-1/4" Long)	1	1
9		1120382	Pivot Slide Tube, Curved End - Long (9-7/8" Long)	1	1
9		1120386	Pivot Slide Tube, Curved - 2" Longer (11-7/8" Long)	1	1
9		1120384	Pivot Slide Tube, Straight - Alum. (9-7/8" Long)	1	1
9		1120385	Pivot Slide Tube, Straight - 2" Longer (11-7/8" Long)	1	1
9		1061967	Pivot Slide Tube, Straight (5-1/2" Long)	1	1
10		1026703	Kit, Pivot/Slide Tube Mounting Hardware	1	1



# Footplate, Pivot Tube and Hardware - A1562/A1564 Aluminum

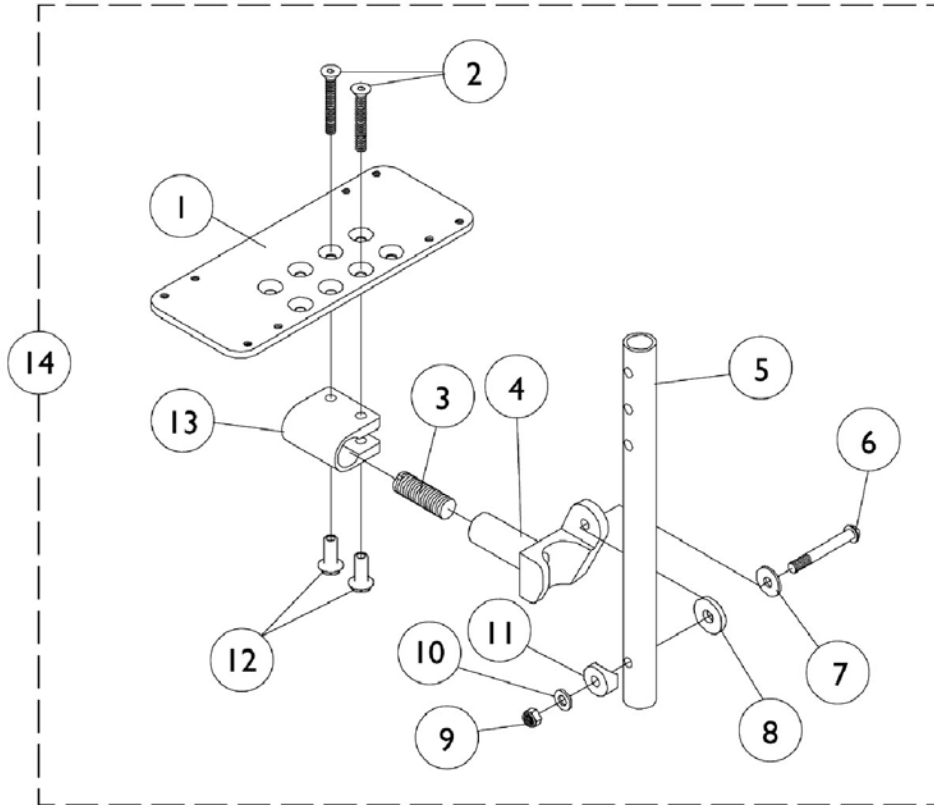


## Footplate, Pivot Tube and Hardware - A1562/A1564 Aluminum

Item Number	Note	Part Number	Description	Quantity Per	
				Package	Assembly
1		1020534	Insert, Threaded	1	1
2		1026099	Spacer, Coved (1/4 x 11/16 x 1/2")	1	1
3		1045267	Screw, Hex Head (1/4-20 x 3/4")	1	1
4		44200X032	Footplate, Aluminum - Extra Small (5-3/4" W x 6" L)	1	1
4		44200X059	Footplate, Aluminum - Small (6-3/4" W x 6" L)	1	1
4		44200X027	Footplate, Aluminum - Medium (7-3/4" W x 6" L)	1	1
4		44200X025	Footplate, Aluminum - Extra Large (8" W x 8-1/2" L) - Right	1	1
4		44200X026	Footplate, Aluminum - Extra Large (8" W x 8-1/2" L) - Left	1	1
5		1006981	Spring	1	2
5		1036123	Spring	1	2
6		1025729	Screw, Self Tapping Pan Head (#8-32 x 3/8")	1	4
7		1048834	Pivot/Slide Tube with Plug Button	1	2
8		1027097	Plug Button, Black (3/4")	1	2
9	A	1041542	Pivot/ Slide Tube w/ Footplate Aluminum 9-1/2" L - Right	1	1
9	A	1041543	Pivot/ Slide Tube w/ Footplate Aluminum 9-1/2" L - Left	1	1
9	B	1026401	Footplate Assembly Aluminum - Right	1	1
9	B	1026402	Footplate Assembly Aluminum - Left	1	1
9	B	1026395	Pivot/Slide Tube w/ Footplate XLarge 9-1/2" Long 16"-20" W - Right	1	1
9	B	1026396	Pivot/Slide Tube w/ Footplate, XLarge 9-1/2" Long, 16"-20" W - Left	1	1
NOTE: A - 14-15" Wide B - 16-22" Wide					

# Adjustable Angle Footplates with Pivot Tube - AT5543

60 Degree, 60 Degree MFX & 70 Degree Swingaway Supports with Straight Slide Tube



## Adjustable Angle Footplates with Pivot Tube - AT5543 60 Degree, 60 Degree MFX & 70 Degree Swingaway Supports with Straight Slide Tube

Item Number	Note	Part Number	Description	Quantity Per	
				Package	Assembly
1		1060425	Footplate, Adjustable Angle - Small (3-1/4" Wide x 8" Long)	1	1
1		1060426	Footplate, Adjustable Angle - Medium (4-1/4" W x 8" L)	1	1
1		1060427	Footplate, Adjustable Angle - Large (5-1/4" W x 8" L)	1	1
1		1062569	Footplate, Adjustable Angle - X-Large (6-1/4" W x 8" L)	1	1
2	A	1029545	Screw, Socket Head Cap (1/4-20 x 3/4")	1	2
3		1048816	Screw, Nylon Adjustment (1/2-13 x 7/8")	1	1
4		1052102	Hinge, Footplate - Right	1	1
4		1052103	Hinge, Footplate - Left	1	1
5		1120384	Pivot Slide Tube, Straight - Alum. (9-7/8" Long)	1	1
5		1120385	Pivot Slide Tube, Straight - 2" Longer (11-7/8" Long)	1	1
6		7930321	Screw, Socket Button Head (1/4-20 x 1-7/8")	25	1
7		1026900	Washer (1/4 x 23/32 x 1/16")	1	1
8		7930313	Washer, Nylon (5/16 x 7/8 x 1/8")	25	1
9		7930333	Locknut (1/4-20)	25	1
10		1026907	Washer (1/4 x 1/2 x 1/16")	1	1
11		1025457	Spacer, Coved (1/4 x 3/4 x 11/32")	1	1
12	A	1082686	Nut, Hex Head (1/4-20 x 11/16")	1	2
13	A	1058517	Clamp, Footplate	1	1
14		See Chart	#14 60 Degree, 60 Degree MFX, 70 Degree Non-Tapered, & ELR's	1	1
14		See Chart	#14 70 Degree	1	1
14		See Chart	#14 70 Degree Tapered	1	1
14		See Chart	#14 90 Degree and 70 Degree MFX	1	1

NOTE: A - Due to a hardware change, for chairs built Before 8/99 items 2, 12, and 13 must be ordered together.

### #14 60 Degree, 60 Degree MFX, 70 Degree Non-Tapered, & ELR's

Straight Pivot Slide Tube (9-7/8" Long)	Right	Left
14-15" Wide (5-1/4" Ftplt.)	1060432	1060433
16-17" Wide (6-1/4" Ftplt.)	1062572	1062573
18-22" Wide (7-1/4" Ftplt.)	1068620	1068621

**Adjustable Angle Footplates with Pivot Tube - AT5543**  
**60 Degree, 60 Degree MFX & 70 Degree Swingaway Supports with Straight**  
**Slide Tube**

**#14 70 Degree**

ALPT Straight Pivot Tube (11-7/8" Long)	Right	Left
14-15" Wide (5-1/4" Ftplt.)	1060440	1060441
16-17" Wide (5-1/4" Ftplt.)	1062578	1062579
18-22" Wide (7-1/4" Ftplt.)	1068622	1068623

**#14 70 Degree Tapered**

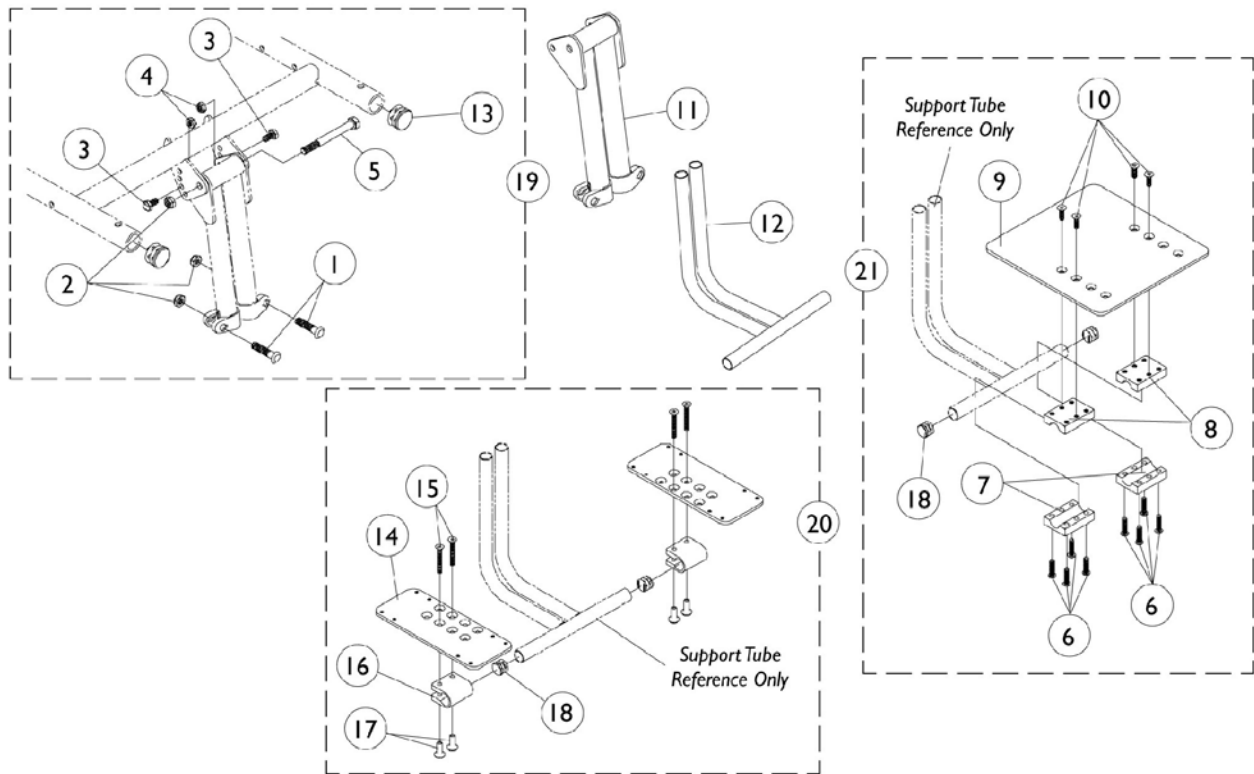
Straight Pivot Tube (9-7/8" Long)	Right	Left
16" Wide (4-1/4" Ftplt.)	1060430	1060431
17-18" Wide (5-1/4" Ftplt.)	1060432	1060433
19-22" Wide (6-1/4" Ftplt.)	1062572	1062573
ALPT Straight Pivot Tube (11-7/8" Long)	RIGHT	LEFT
16" Wide (4-1/4" Ftplt.)	1060430	1060431
17-18" Wide (5-1/4" Ftplt.)	1060440	1060441
19-22" Wide (6-1/4" Ftplt.)	1062578	1062579

**Adjustable Angle Footplates with Pivot Tube - AT5543**  
**60 Degree, 60 Degree MFX & 70 Degree Swingaway Supports with Straight**  
**Slide Tube**

**#14 90 Degree and 70 Degree MFX**

No Pivot Tube, Bolts Through Support	Right	Left
14-15" Wide (5-1/4" Ftplt.)	1060438	1060439
16-17" Wide (6-1/4" Ftplt.)	1062570	1062571
18-22" Wide (7-1/4" Ftplt.)	1068618	1068619

# Contracture Platform™



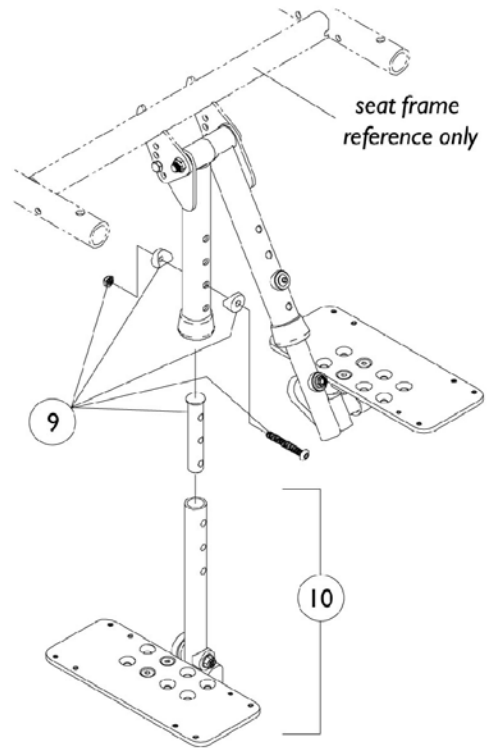
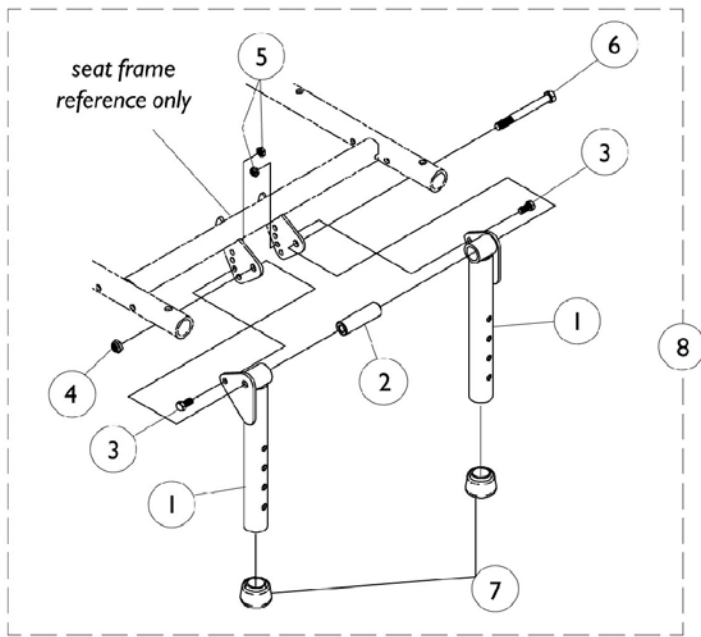
## Contracture Platform™

Item Number	Note	Part Number	Description	Quantity Per	
				Package	Assembly
1		1026030	Screw, Lug (5/16-24 x 1-3/8")	1	2
2		7930330	Locknut (5/16-24)	25	3
3		1025752	Screw, Hex Head (1/4-20 x 1-1/2")	1	2
4		7930323	Pkg, Locknut (1/4-20)	25	2
5		1028600	Screw, Hex Head Cap (5/16-24 x 3")	1	1
6		1009837	Screw, Socket Button Head (1/4-20 x 1")	1	8
7		1027627	Half Clamp, Non-Threaded	1	2
8		1027626	Half Clamp, Threaded	1	2
9		1044076	Footboard	1	1
10		1029545	Screw, Socket Head Cap (1/4-20 x 3/4")	1	4
11	A	1052436	Support, Contracture Platform	1	1
11	B	1052437-NLA	Support Tube, Upper -Chrome	1	1
12	A	1052441	Support Tube, Lower	1	1
12	B	1052442-NLA	Support Tube, Lower -Chrome	1	1
13		1056328	Plug Button (1")	1	2
14		1060425	Footplate, Adjustable Angle - Small (3-1/4" Wide x 8" Long)	1	2
15	C	1102551	Screw, Socket Flat Head C' Sunk (1/4-20 x 5/8")	1	2
16		1027097	Plug Button, Black (3/4")	1	2
17	C	1082686	Nut, Hex Head (1/4-20 x 11/16")	1	2
18	C	1058517	Clamp, Footplate	1	1
19		1052443	Upper Support Tube Hardware	1	1
20		1060446	Adjustable Angle Footplates with Hardware (1 Pair)	2	1
21		1052444	Footboard with Hardware	1	1

NOTE: A - Specify frame color when ordering.  
 B - If chrome Support Tube is requested it must be ordered as "special". Use corresponding color part no. when ordering.  
 C - Items 15, 17, and 18 must be ordered together for chairs manufactured before 8/10/99 due to a hardware change.



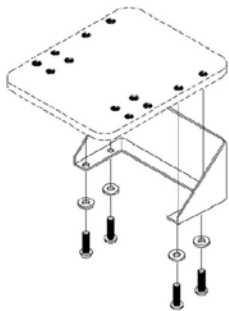
# Bilateral Contracture Footrest



## Bilateral Contracture Footrest

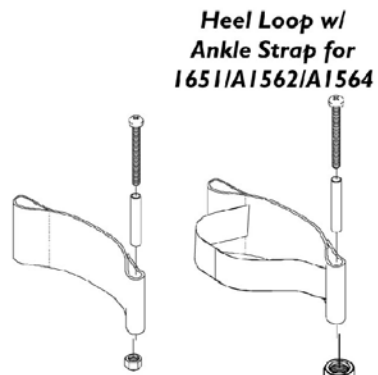
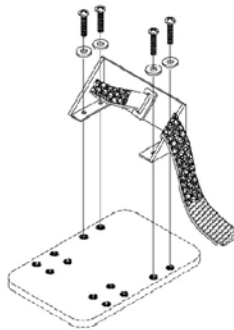
Item Number	Note	Part Number	Description	Quantity Per	
				Package	Assembly
1		1066573	Footrest Support -Right	1	1
1		1066574	Footrest Support -Left	1	1
2		1066571	Spacer (5/16 x 2 x 5/8")	1	1
3		1025752	Screw, Hex Head (1/4-20 x 1-1/2")	1	2
4		7930330	Locknut (5/16-24)	25	1
5		7930323	Pkg, Locknut (1/4-20)	25	2
6		1028600	Screw, Hex Head Cap (5/16-24 x 3")	1	1
7		1026124	Anti-Rattle Collar	1	2
8		1066575	Bilateral Contracture Platform Hardware (1 Pair)	2	1
9		1057846	Kit, Pivot/Slide Tube Mounting Hardware	2	1
10		1060428	Adjustable Angle Footplate Assembly (3-1/4" Wide) -Right	1	1
10		1060429	Adjustable Angle Footplate Assembly (3-1/4" Wide) -Left	1	1
10		1060430	Adjustable Angle Footplate Assembly (4-1/4" Wide) Right	1	1
10		1060431	Adjustable Angle Footplate Assembly (4-1/4" Wide) Left	1	1
10		1060444	Pivot/ Slide Tube w/ Footplate Adjustable Angle Right	1	1
10		1060445	Pivot/ Slide Tube w/ Footplate Adjustable Angle Left	1	1
10		1062756	Pivot/Slide Tube w/ Footplate Adjustable Angle Right	1	1
10		1062757	Pivot/Slide Tube w/ Footplate Adjustable Angle Left	1	1

# Heel Loops and Toe Loops



**Heel Loop for  
AT5542/AT5042/AT5043**

**Heel Loop w/  
Ankle Strap for  
AT5542/AT5042/AT5043**



**Heel Loop for  
1651/A1562/A1564**



**Toe Loop for  
All Footplates**

# Heel Loops and Toe Loops

## 1651 Composite

	HEEL LOOP Single #	HEEL LOOP Pair #	HEEL LOOP w/ ANKLE STRAP Single # - Right	HEEL LOOP w/ ANKLE STRAP Single # - Left	HEEL LOOP w/ ANKLE STRAP Pair #	ATTACHING HARDWARE Pair #
Small	1025234	1035905	1035908	1035909	1035906	1035931
Medium	1017621	1035917	1035919	1035920	1035918	1035931
Large	1027000	1035929	1035932	1035933	1035930	1035931

## A1562 Aluminum

	HEEL LOOP Single #	HEEL LOOP Pair #	HEEL LOOP w/ ANKLE STRAP Single # - Right	HEEL LOOP w/ ANKLE STRAP Single # - Left	HEEL LOOP w/ ANKLE STRAP Pair #	ATTACHING HARDWARE Pair #
Small (Jr. Only)	1025234	1035905	1035908	1035909	1035906	1035931
Medium	1017621	1035917	1035919	1035920	1035918	1035931
Large	1027000	1035929	1035932	1035933	1035930	1035931

## A1564 Extra Large

	HEEL LOOP Single #	HEEL LOOP Pair #	HEEL LOOP w/ ANKLE STRAP Single # - Right	HEEL LOOP w/ ANKLE STRAP Single # - Left	HEEL LOOP w/ ANKLE STRAP Pair #	ATTACHING HARDWARE Pair #
Large	1027000	1035929	1035932	1035933	1035930	1035931

# Heel Loops and Toe Loops

## Adjustable Angle #5542 and #AT5543

	HEEL LOOP Single #	HEEL LOOP Pair #	HEEL LOOP w/ ANKLE STRAP Single # - Right	HEEL LOOP w/ ANKLE STRAP Single # - Left	HEEL LOOP w/ ANKLE STRAP Pair #	ATTACHING HARDWARE Pair #
3-1/4" Wide Footplate	1018269	1036099	1036097	1036097	1036102	1036096
4-1/4" Wide Footplate	1018270	1036100	1027182	1027182	1036103	1036096
5 & 6-1/4" Wide Footplate	1030958	1036101	1036098	1036098	1036104	1036096
7-1/4" Wide Footplate	1069037	N/A	1069049	1069049	N/A	1036096

## AT5043 Flip-Up Aluminum

	HEEL LOOP Single #	HEEL LOOP Pair #	HEEL LOOP w/ ANKLE STRAP Single # - Right	HEEL LOOP w/ ANKLE STRAP Single # - Left	HEEL LOOP w/ ANKLE STRAP Pair #	ATTACHING HARDWARE Pair #
Small 10"	1018269	1036099	1036097	1036097	1036102	1036096
Medium 12"	1018270	1036100	1027182	1027182	1036103	1036096

## Toe Loops

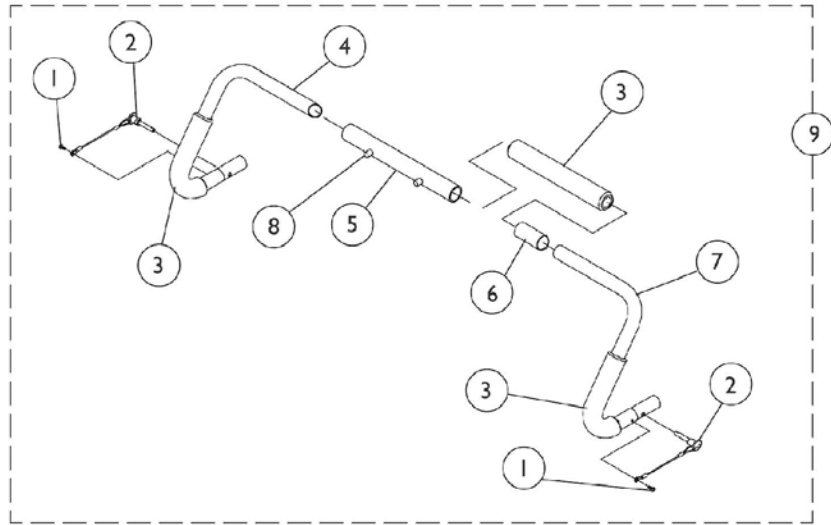
Toe Loop Single #	Toe Loop Pair #	Attaching Hardware Pair #
04572X025	1037087	1037089

# Heel Loops and Toe Loops

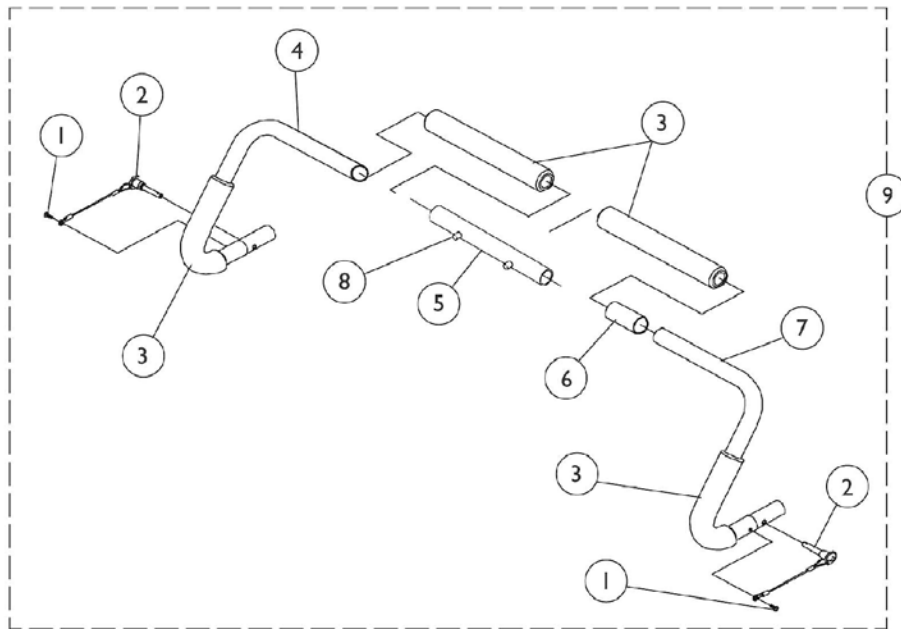
## Heel and Toe Loop Attaching Hardware Kits

1035931	1036096	1037089
1021421 Screw, Pan Head (1/4-20 x 2-1/4")	1026115 Screw, Pan Head (#10-32 x 5/16")	1029157 Screw, Pan Head (#10-32 x 7/8")
1006477 Spacer (1/4 x 11/32 x 1-3/4")	1028516 Washer (3/16 x 7/16 x 1/16")	1025707 Washer (1/4 x 3/4 x 3/32")
1025195 Locknut (1/4-20)		1025735 Locknut (#10-32)

# Stroller Handles - 1483



**14-17" Wide Chairs**



**18-22" Wide Chairs**

## Stroller Handles - 1483

Item Number	Note	Part Number	Description	Quantity Per	
				Package	Assembly
1		1014386	Screw, Socket Head (#8-32 x 5/8")	1	2
2		1045470	Pin, Quick Release with Lanyard	1	2
3	E	1016254	Grip, Hand	1	4
4	A	1055228	Stroller Handle -Left (Black)	1	1
4	B	1045552	Stroller Handle -Left (Black)	1	1
4	A	1055230	Stroller Handle -Left (Chrome)	1	1
4	B	1049512	Stroller Handle -Left (Chrome)	1	1
5	A	1055226	Slide Tube w/ Snap Buttons	1	1
5	C	1045361	Slide Tube w/ Snap Buttons	1	1
5	D	1045360	Slide Tube w/ Snap Buttons	1	1
6		See Chart	#6 Spacer Tube	1	1
7	A	1055227	Stroller Handle -Right (Black)	1	1
7	B	1045551	Stroller Handle -Right (Black)	1	1
7	A	1055229	Stroller Handle -Right (Chrome)	1	1
7	B	1049511	Stroller Handle -Right (Chrome)	1	1
8		40188X009	Button, Single Snap	1	2
9		See Chart	#9 Stroller Handle Assembly - Black	1	1
9		See Chart	#9 Stroller Handle Assembly - Chrome	1	1

NOTE: A - 14-15" Wide Chairs  
 B - 16-22" Wide Chairs  
 C - 16-20" Wide Chairs  
 D - 21-22" Wide Chairs  
 E - 14-17" wide chairs require 3 ea.; 18-22" wide chairs require 4 ea.

### #6 Spacer Tube

14" Wide	15" Wide	16" Wide	17" Wide	18" Wide
1049515	1049516	Not Required	1049513	1046178
19" Wide	20" Wide	21" Wide	22" Wide	
1049514	1049515	1049516	1049517	



# Stroller Handles - 1483

## #9 Stroller Handle Assembly - Black

14" Wide	15" Wide	16" Wide	17" Wide	18" Wide
1055231	1055232	1049140	1049141	1045362
19" Wide	20" Wide	21" Wide	22" Wide	
1049142	1049143	1049144	1049145	

## #9 Stroller Handle Assembly - Chrome

14" Wide	15" Wide	16" Wide	17" Wide	18" Wide
1055233	1055234	1049148	1049149	1049150
19" Wide	20" Wide	21" Wide	22" Wide	
1049151	1049152	1049153	1049154	

## Miscellaneous Accessories

Item Number	Note	Part Number	Description	Quantity Per	
				Package	Assembly
	C	1047713	Anti-Tipper	1	1
	D	1056217	Anti Tipper	1	1
		1032243	Calf Strap w/ Hook and Loop (36" Long)	1	1
		1032216	H-Strap, 31" Long	1	1
		1026987	Impact Guard, 8" Long	1	1
	A	1034625.	0	1	1
	B	1034752	Positioning Strap, Seat/Chest w/ Airline Style Buckle (Eyelet to Eyelet Length 61")	1	1
	A	1034744	Positioning Strap, Seat/Chest w/ Hook and Loop Style Buckle (Eyelet to Eyelet Length 45")	1	1
	B	1034745	Positioning Strap, Seat/Chest w/ Hook and Loop Style Buckle (Eyelet to Eyelet Length 61")	1	1
	A	1004310	Positioning Strap, Seat/Chest w/ Auto Style Push Button Buckle (Eyelet to Eyelet Length 48")	1	1
	B	1034625	Positioning Strap, Seat/Chest w/ Auto Style Push Button Buckle (Eyelet to Eyelet Length 61")	1	1
		40176X010	Tire Pump	1	1
		1038599	Wheel Lock Extensions (6") (1 Pair)	2	1
NOTE: A - 14-19" Wide B - 20-22" Wide C - Chairs without Vent Tray option. D - Chairs with Vent Tray option.					



Yes, you can.™

**Invacare Corporation**

[www.invacare.com](http://www.invacare.com)

One Invacare Way  
Elyria, Oh USA  
44036-2125  
800-333-6900

Technical Support  
800-832-4707  
Customer Service  
800-333-6900

Customer Service  
800-333-6900

©2007 Invacare Corporation. Elyria, Ohio.  
Invacare, Yes, you can., and the Medallion  
Design are registered trademarks and A-T  
and Contracture Platform are trademarks of  
Invacare Corporation. (Revised 11/27/06)

Form No. 94-143