

**A-6**



# Parts Catalog Usage Guide

The information contained in this document is subject to change without notice. This catalog contains service parts for Form No. 00-131. If you have any questions regarding this catalog, please contact one of our Customer Service Representatives.

**For Customer Service Support Call:**

**1-800-333-6900**

**For Faxed In Orders Call:**

**1-800-678-4682 or**

**1-440-366-0709**

**For Technical Service Call:**

**1-800-832-4707**

**Literature Can Be Found at:**

**[www.invacare.com](http://www.invacare.com) or**

**1-800-828-6272**

## SYMBOL DEFINITION

Throughout this catalog you will notice letters to draw your attention to specific footnotes which are located at the bottom of the page or below specified charts.

Examples:

A,B,C etc. = Special Comments

NOTE: = General information pertaining to that specific page

NLA = No Longer Available

## HARDWARE MEASUREMENTS

The measurements for the hardware will be listed as follows:

Screws, Bolts Diameter X Thread Count/Pitch X Length

Washers Inside Diameter X Outside Diameter X Thickness

Spacers Inside Diameter X Outside Diameter X Length

For your convenience, we have supplied an area for you to list your Invacare Representatives.

Name	Phone Numbers

©2007 Invacare Corporation. Elyria, Ohio. Invacare, Yes, you can., and the Medallion Design are registered trademarks of Invacare Corporation. KIK is a registered trademark of KIK Technology, Inc.

# TABLE of CONTENTS

<b>Description</b>	<b>Page Number</b>
"T" Arm and Hardware .....	21
Accessories, Miscellaneous .....	65
Axle Tube Position Assembly .....	35
Axles, Camber Bars, and Wheel Attaching Hardware .....	32
Back Upholstery .....	14
Back Upholstery - Adjustable Tension .....	16
Backrest Frame and Rear Upright Tubes .....	12
Bolt On Push Handles .....	63
Caster Forks and Hardware .....	26
Caster Wheels and Hardware .....	29
Frame Finishes and Touch-Up Paint .....	4
Half Arms and Hardware .....	24
Handrim Hardware .....	49
Handrims .....	47
One Piece Adjustable Angle Footplate .....	59
Packaging, Literature, and Decals .....	5
Rear Upright Tube Mounting Hardware .....	10
Rigid Side Guards .....	61
Rigid Tubular Footplate .....	57
Seat Frames and Frame Hardware .....	7
Seat Upholstery .....	19

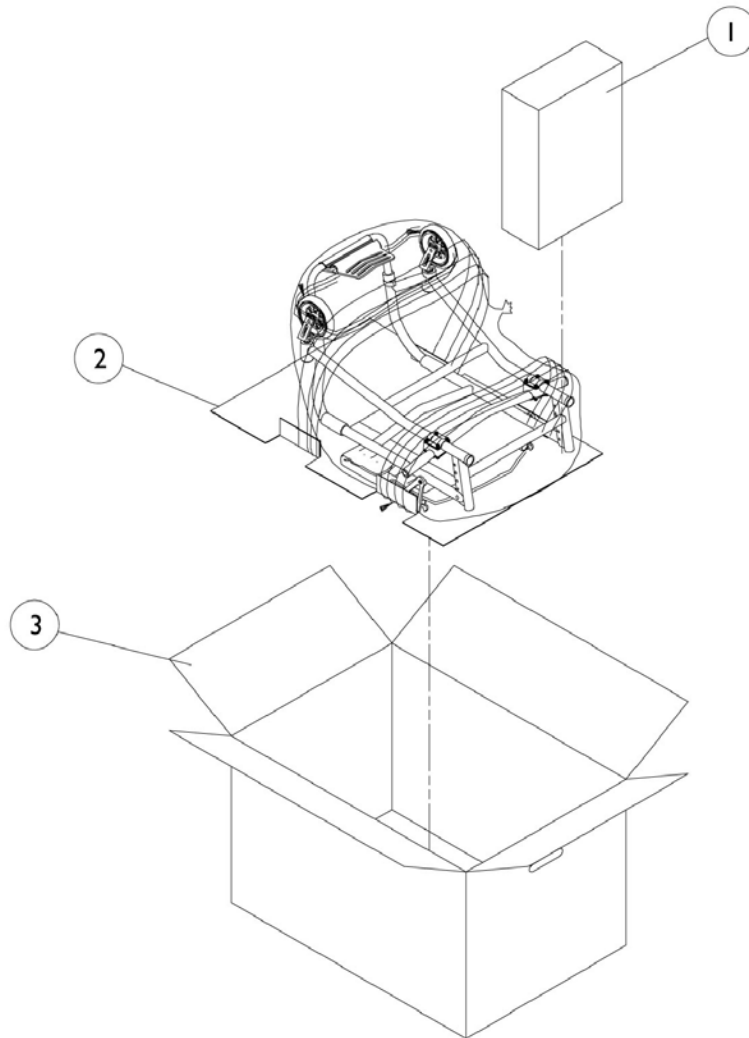
# TABLE of CONTENTS

<b>Description</b>	<b>Page Number</b>
Undermount Wheel Lock .....	55
Wheel Lock - Hight Mount (Pull to Lock) .....	51
Wheel Lock - Hight Mount (Push to Lock) .....	50
Wheel Lock - Hill Holder and Attaching Hardware .....	53
Wheels, Rear - Composite .....	41
Wheels, Rear with Handrims - Spoke .....	45
Wheels, Rear without Handrims - Spoke .....	42

## Frame Finishes and Touch-Up Paint

Color Number	Touch-Up Paint	Color
22P	1033376	Anthracite
102P	1101327	Denim Blue
62P	1046320	Electric Blue
61P	1046321	Electric Red
104P	1101316	Electric Teal
80P	1073892	Evergreen w/ Navy
101P	1101325	Jeweled Green
84P	1073896	Lavender
105P	1101326	Midnight Blue
103P	1101324	Mocha Frost
66P	1046322	Passion Purple
33P	1031455	Red
83P	1073895	Royal Blue w/ Grape
30P	1031448	Sunny Yellow
24P	1031450	Wet Black
29P	1031447	White
88P	N/A	Wet Black w/ Twilight Sparkle

# Packaging, Literature, and Decals



## Packaging, Literature, and Decals

Item Number	Note	Part Number	Description	Quantity Per	
				Package	Assembly
1		40131X011	Carton, Front Riggings	1	1
2		1049222	Insert, Bottom Pad	1	1
3		1045583	Carton, Shipper	1	1
	A	See Chart	Decals	1	1
	A	1092293	Owner's Manual	1	1
	A	1095497	Decal, Invacare Logo	1	1
	A	See Chart	Decals	1	1

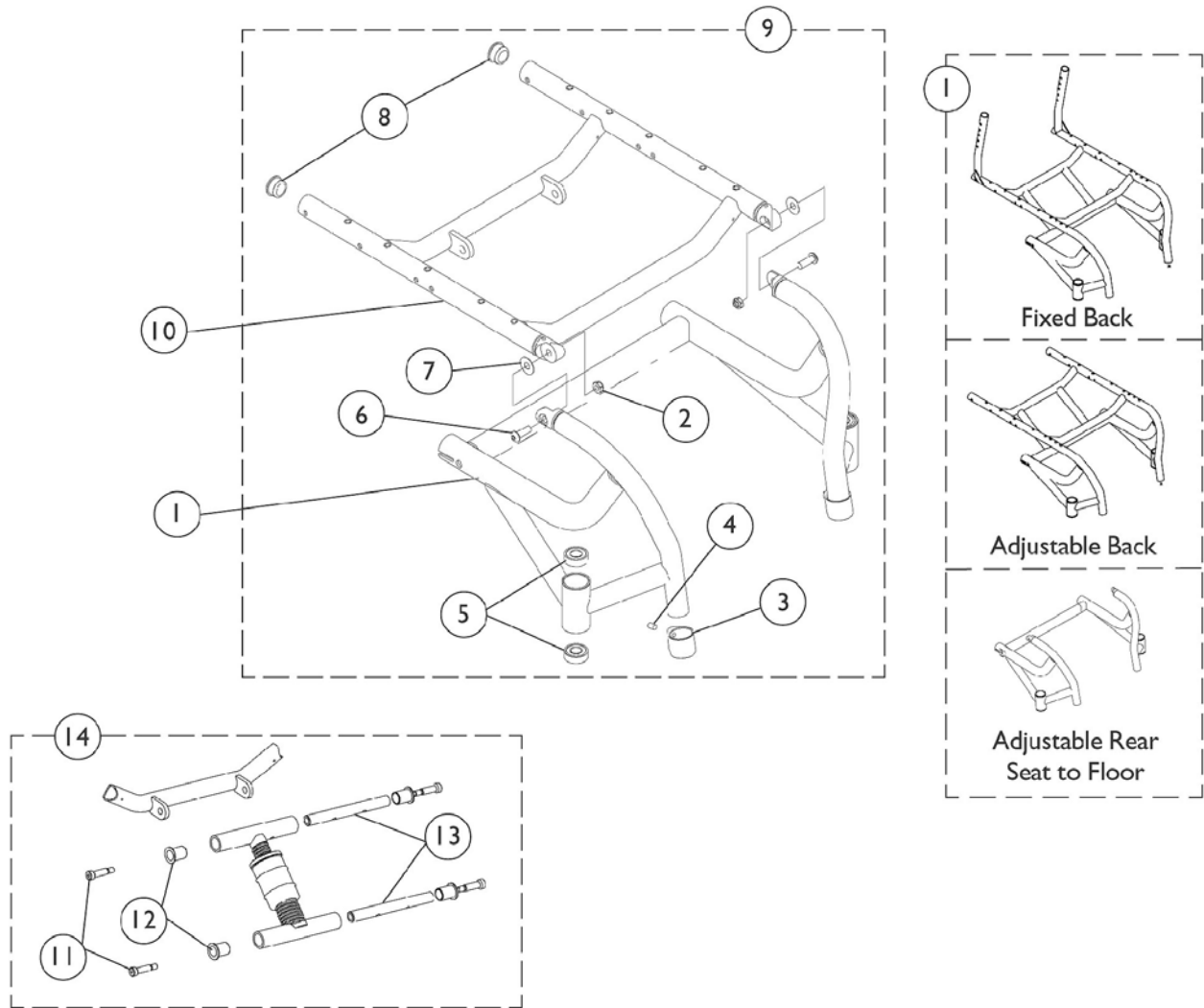
NOTE: A - Not Shown

Note: When adjusting or replacing parts please refer to your Owner's Manual for assistance.

### Decals

Decal Text Color	A-6S	F-6S	A-6	F-6
Black	1097357	1097359	1097361	1097363
White	1097356	1097358	1097360	1097362

# Seat Frames and Frame Hardware





## Seat Frames and Frame Hardware

Item Number	Note	Part Number	Description	Quantity Per	
				Package	Assembly
1	A	8881101592	Frame, Aluminum	1	1
2		1028769	Locknut (5/16-18)	1	2
3		1111949	Clamp, Footrest	1	2
4		1026911	Screw, Socket Set (1/4-20 x 1/2")	1	2
5		40117X021	Bearing (1/2" I.D. x 1-1/8" O.D.)	1	4
6	B	1000208	Screw, Shoulder Hex Socket (5/16" x 3/8")	1	2
6	C	1046494	Screw, Button Head (5/16-18 x 7/8")	1	2
7		1046497	Washer, Nylon (5/16 x 7/8 x 1/64")	1	4
8		1056328	Plug Button (1")	1	2
9	D	1098112	Frame Hardware, A6 (Both Sides)	2	1
10		See Chart	#10 Seat Frames	1	1
11		1069421	Screw, Socket Head Shoulder (3/8 x 1")	1	4
12		1093116	Flange	1	4
13		1095638	Rod, Attaching Adjustable Height	1	2
14		See Chart	#14 Seat Adjustment Assembly	2	1

NOTE: A - Configured Item  
 B - Chairs built Before 9/16/02. Due to design improvement, this screw was replaced with part nos. 1046494 and 1028769.  
 C - Chairs built After 9/15/02.  
 D - Includes items 2-8.

# Seat Frames and Frame Hardware

## #10 Seat Frames

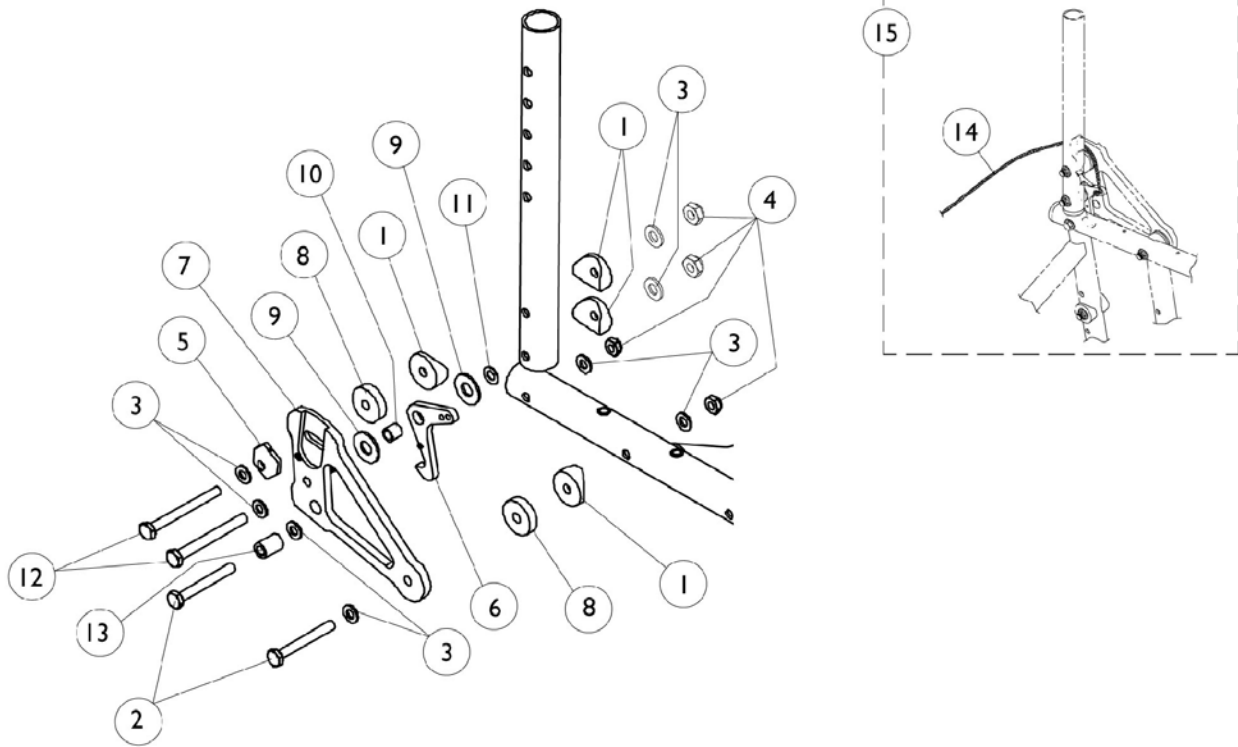
Chair Width	14" Deep	15" Deep	16" Deep	17" Deep	18" Deep	19" Deep	20" Deep
14"	8881093166	8881093173	8881093180	8881093187	8881093194	N/A	N/A
15"	8881093167	8881093174	8881093181	8881093188	8881093195	N/A	N/A
16"	8881093168	8881093175	8881093182	8881093189	8881093196	8881093203	N/A
17"	8881093169	8881093176	8881093183	8881093190	8881093197	8881093204	N/A
18"	8881093170	8881093177	8881093184	8881093191	8881093198	8881093205	N/A
19"	N/A	N/A	8881093185	8881093192	8881093199	8881093206	N/A
20"	N/A	N/A	8881093186	8881093193	8881093200	8881093207	8881093972

Due to design improvement, when ordering a Seat Frame for chairs built Before 9/16/02 also order 2 each of item 2 Locknut (1028769) and item 6 Screw (1046494).  
Specify frame color when ordering.

## #14 Seat Adjustment Assembly

Front STF	22" Wheels	24" Wheels	26" Wheels
17"	1095431	1098519	N/A
18"	1095431	1095431	1098519
19"	1095432	1095431	1095431
20"	1095432	1095432	1095431
21"	1095432	1095432	1095432

# Rear Upright Tube Mounting Hardware

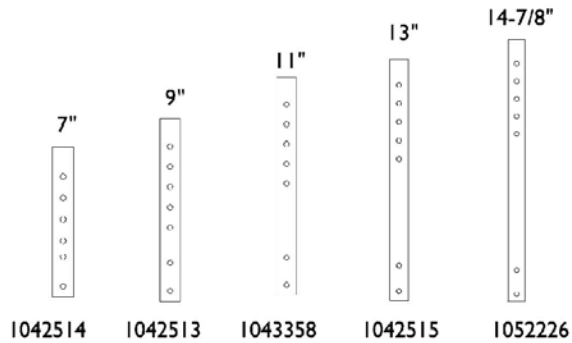
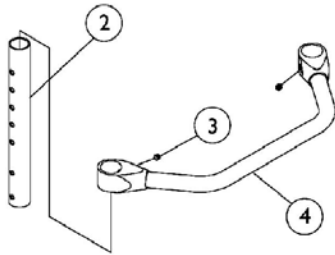
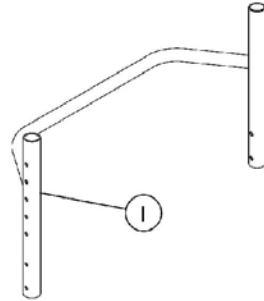


## Rear Upright Tube Mounting Hardware

Item Number	Note	Part Number	Description	Quantity Per	
				Package	Assembly
1		40157X020	Spacer, Coved (1/4 x 1 x 9/16")	1	4
2		1055349	Screw, Hex Head (1/4-28 x 2")	1	4
3		1026907	Washer (1/4 x 1/2 x 1/16")	1	16
4		1025765	Locknut (1/4-28)	1	4
5		1039232	Cam, Adjustment	1	1
6		1081354	Latch, Backrest -Right	1	1
6		1081355	Latch, Backrest -Left	1	1
7		1079920	Plate, Backrest Support -Right	1	1
7		1079921	Plate, Backrest Support -Left	1	1
8		1040776	Spacer, Nylon (1/4 x 1 x 1/4")	1	2
9		1012371	Washer, Nylon (3/8 x 7/8 x 1/16")	1	1
10		1026162	Spacer (1/4 x 3/8 x 11/32")	1	1
11		1025728	Washer (1/4 x 1/2 x 1/32")	1	1
12		1055351	Screw, Hex Head (1/4-28 x 2-1/2")	1	1
13		1039233	Spacer (1/4 x 3/8 x 11/32")	1	1
14		1141633	Cord, Nylon (6-1/2 Feet)	1	1
15	A	1041149	Backrest Hardware Kit (1 Pair)	2	1
15	B	1097082	Backrest Hardware Kit (1 Pair)	2	1

NOTE: A - For chairs without Half Arms. Includes items 1-11 and 13- 14.  
 B - For chairs with Half Arms. Includes items 1-14.

# Backrest Frame and Rear Upright Tubes



Item Number	Note	Part Number	Description	Quantity Per	
				Package	Assembly
1		See Chart	#1 One Piece Backrest Frame	1	1
2		1042514	Tube, Rear Upright (8-11" High)	1	2
2		1042513	Tube, Rear Upright (10-14" High)	1	2
2		1043358	Tube, Rear Upright (12-16" High)	1	2
2		1042515	Tube, Rear Upright (14-18" High)	1	2
2		1052226	Tube, Rear Upright (16-20" High)	1	2
3		1045495	Screw, Socket Head (1/4-20 x 1/4")	1	2
4		See Chart	#4 Backrest Crossmember	1	1

# Backrest Frame and Rear Upright Tubes

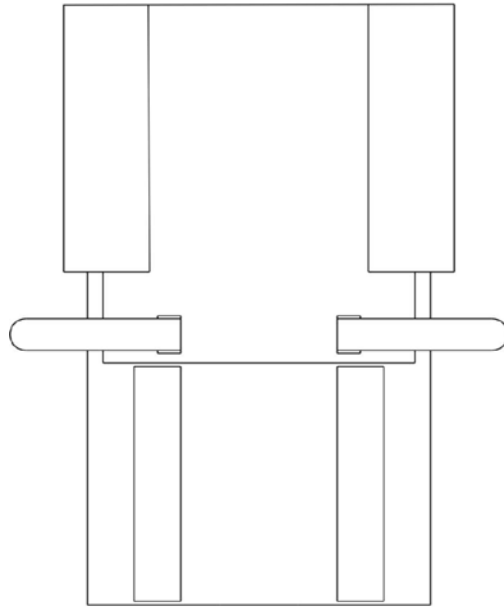
## #1 One Piece Backrest Frame

Chair Width	8-11" High	10-14" High	12-16" High	14-18" High	16-20" High
14"	1024706	1026188	1042982	1026757	1026764
15"	1024707	1026189	1042986	1026758	1026765
16"	1024708	1026190	1042987	1026759	1026766
17"	1024709	1026191	1042988	1026760	1026767
18"	1024710	1026192	1042989	1026761	1026768
19"	1024711	1026193	1042990	1026762	1026769
20"	1024712	1026194	1042991	1026763	1026770

## #4 Backrest Crossmember

14" Wide	15" Wide	16" Wide	17" Wide	18" Wide	19" Wide	20" Wide
1042510	1042511	1042512	1050083	1050080	1050077	1050074

# Back Upholstery



Back Upholstery  
- Nylon

Chair Width	8-12" High	10-14" High	12-16" High	14-18" High	16-20" High
14"	1026795	1026802	1043539	1026809	1026816
15"	1026796	1026803	1043540	1026810	1026817
16"	1026797	1026804	1043541	1026811	1026818
17"	1026798	1026805	1043542	1026812	1026819
18"	1026799	1026806	1042983	1026813	1026820
19"	1026800	1026807	1043543	1026814	1026821
20"	1026801	1026808	1043544	1026815	1026822

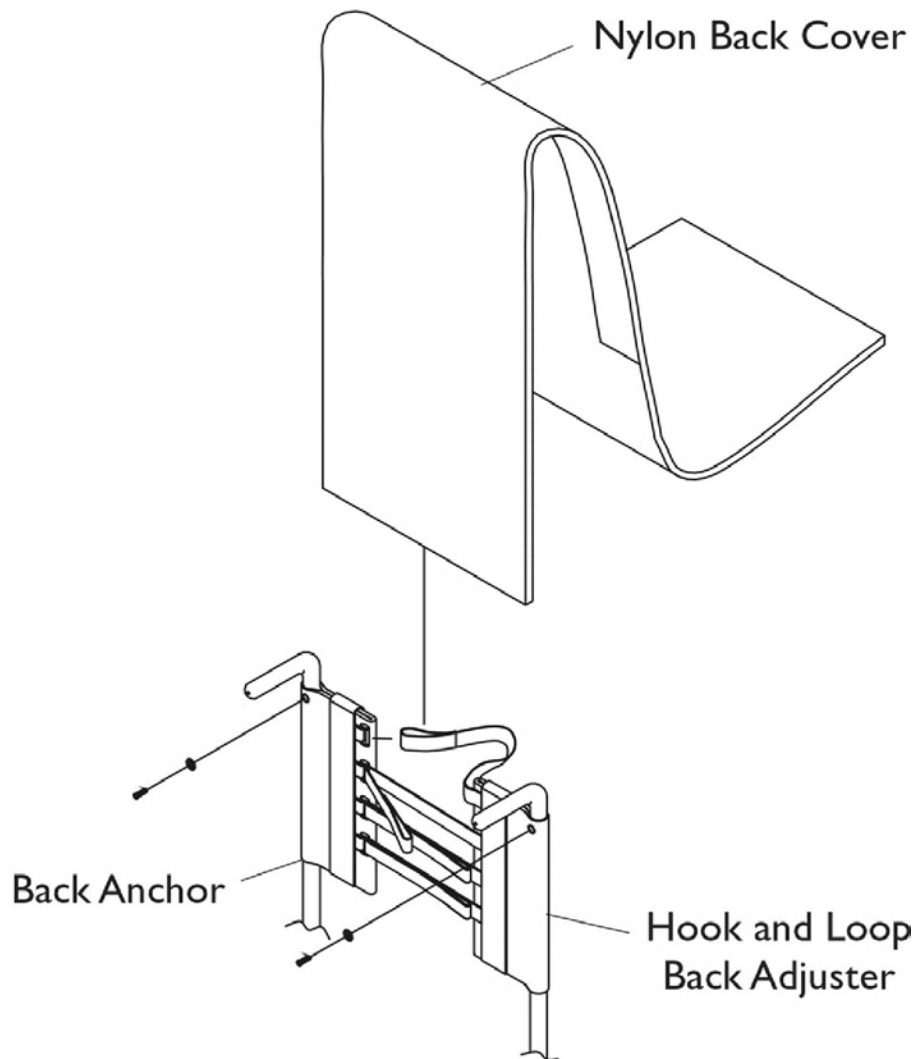
# Back Upholstery

Item Number	Note	Part Number	Description	Quantity Per	
				Package	Assembly
	A	1026298	Screws with Washers (#10 x 7/8")	2	1
	A	See Chart	Back Upholstery	1	1

NOTE: A - Not Shown



# Adjustable Tension Back Upholstery



# Adjustable Tension Back Upholstery

Back Height	Seat Width	Back Anchor	Hook & Loop Adjuster	Back Cover	Back Assembly See Note(s) A
8-11"	14"	1046405	1046402	1046244	1079094
8-11"	15"	1046405	1046402	1046245	1079095
8-11"	16"	1046405	1046402	1046246	1079096
8-11"	17"	1046405	1046403	1046247	1079097
8-11"	18"	1046405	1046403	1046248	1079098
8-11"	19"	1046405	1046404	1046249	1079099
8-11"	20"	1046405	1046404	1046250	1079100
10-14"	14"	1046287	1046284	1037929	1079103
10-14"	15"	1046287	1046284	1037930	1079104
10-14"	16"	1046287	1046284	1037931	1079105
10-14"	17"	1046287	1046285	1037932	1079106
10-14"	18"	1046287	1046285	1037933	1079107
10-14"	19"	1046287	1046286	1037934	1079108
10-14"	20"	1046287	1046286	1037935	1079109
12-16"	14"	1037916	1037925	1037918	1039478
12-16"	15"	1037916	1037925	1037919	1039479
12-16"	16"	1037916	1037925	1037920	1039480
12-16"	17"	1037916	1037917	1037921	1039481
12-16"	18"	1037916	1037917	1037922	1039482
12-16"	19"	1037916	1037926	1037923	1039483
12-16"	20"	1037916	1037926	1037924	1039484
14-18"	14"	1037720	1037736	1037922	1039485
14-18"	15"	1037720	1037736	1037923	1039486
14-18"	16"	1037720	1037736	1037924	1039487
14-18"	17"	1037720	1037721	1037925	1039488
14-18"	18"	1037720	1037721	1037926	1039489
14-18"	19"	1037720	1037737	1037927	1039490
14-18"	20"	1037720	1037737	1037928	1039491
16-20"	14"	1046731	1046732	1046735	1046742
16-20"	15"	1046731	1046732	1046736	1046743
16-20"	16"	1046731	1046732	1046737	1046744
16-20"	17"	1046731	1046733	1046738	1046745
16-20"	18"	1046731	1046733	1046739	1046746
16-20"	19"	1046731	1046734	1046740	1046747
16-20"	20"	1046731	1046734	1046741	1046748

NOTE: A - Back Assembly includes Back Anchor, Hook and Loop Adjuster, Back Cover and Instruction Sheet.

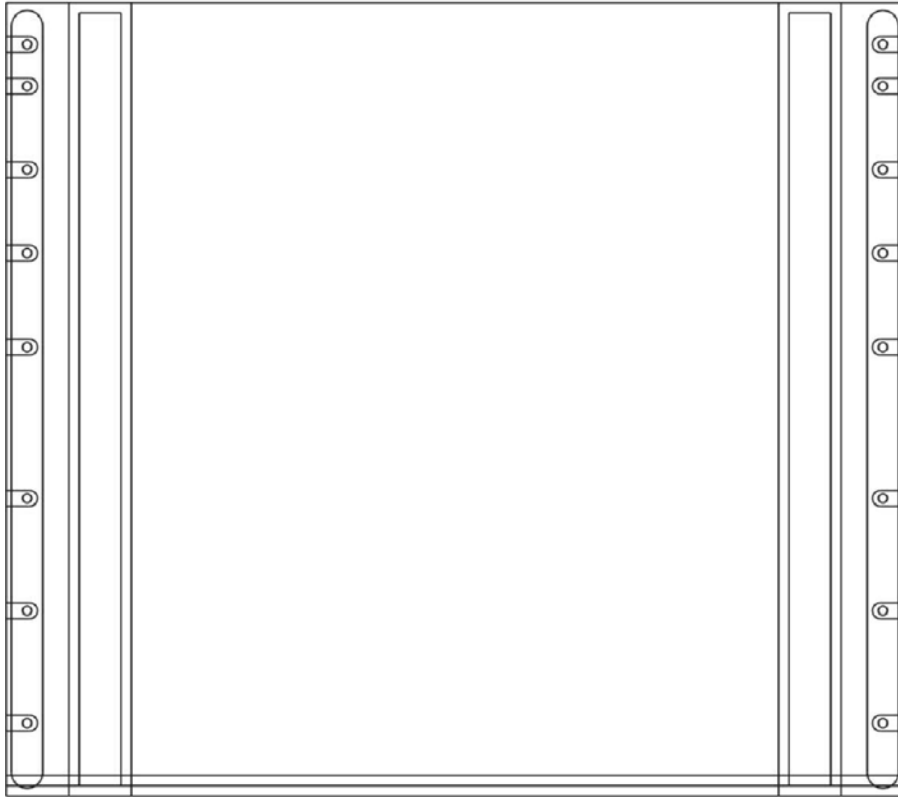
# Adjustable Tension Back Upholstery

## Back Hardware

Item Number	Note	Part Number	Description	Quantity Per	
				Package	Assembly
	A	1026298	Screws with Washers (#10 x 7/8")	2	1
	A	1039470	Instruction Sheet, Adjustable Tension Back Upholstery	1	1
	A	See Chart	Back Upholstery -Adjustable Tension	1	1

NOTE: A - Not Shown

# Seat Upholstery



## Seat Upholstery - Nylon

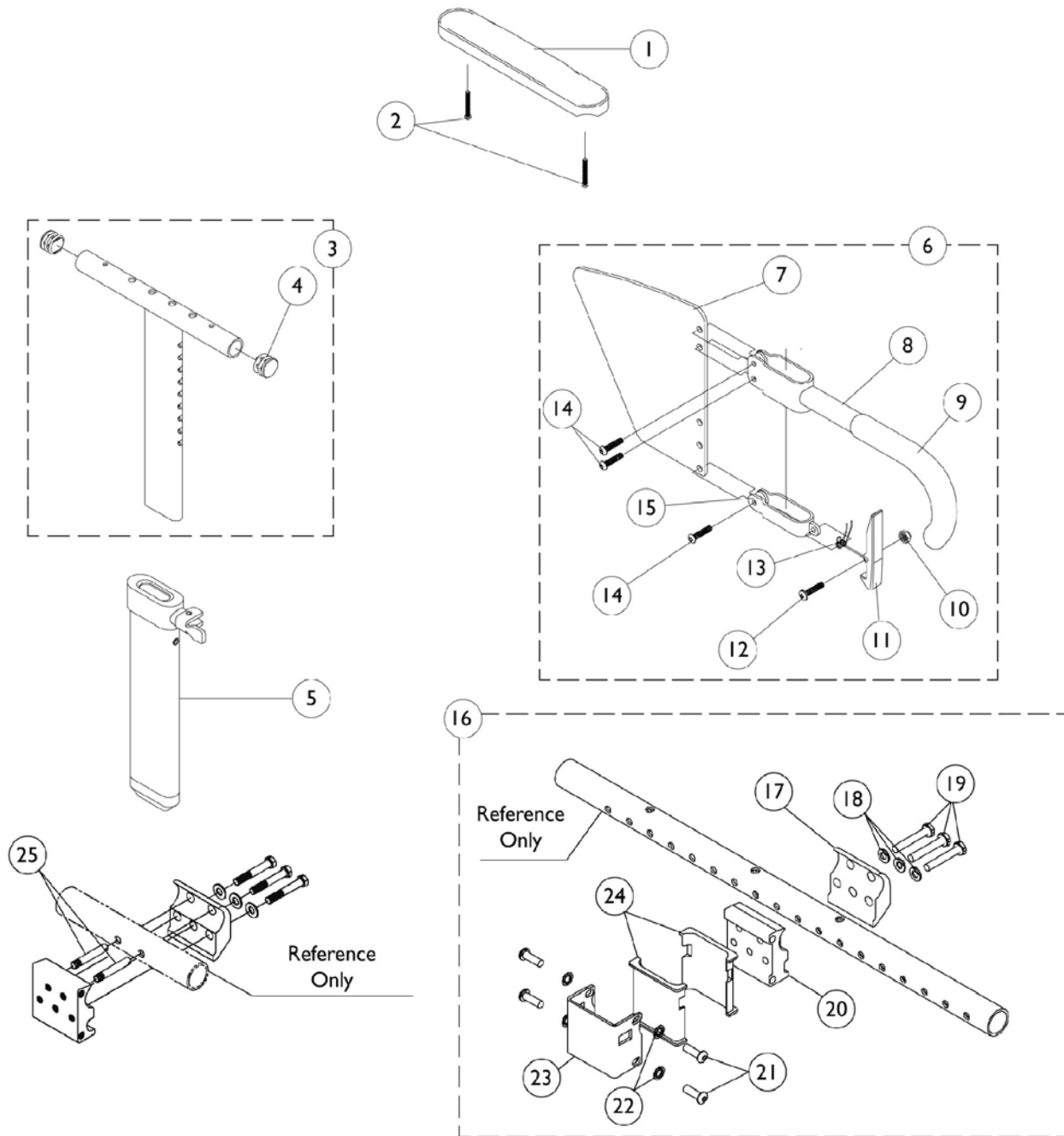
Chair Width	14" Deep	15" Deep	16" Deep	17" Deep	18" Deep	19" Deep	20" Deep
14"	1032080	1032081	1032082	1032083	1032084	N/A	N/A
15"	1032085	1032086	1032087	1032088	1032089	N/A	N/A
16"	1032090	1032091	1032092	1032093	1032094	1046478	N/A
17"	1032095	1032096	1032097	1032098	1032099	1046479	N/A
18"	1032100	1032101	1032102	1032103	1032104	1046480	N/A
19"	N/A	N/A	1032105	1032106	1032107	1046481	N/A
20"	N/A	N/A	1032108	1032109	1032110	1046482	1069931

# Seat Upholstery

## Seat Upholstery Hardware Kits

Seat Depth	Hardware Kit	Screw Quantity/Size per Kit
14"	1026931	10 ea. (#10-32 x 3/4")
15-16"	1026932	12 ea. (#10-32 x 3/4")
17-18"	1026933	14 ea. (#10-32 x 3/4")
19-20"	1046294	16 ea. (#10-32 x 3/4")

# "T" Arm and Hardware



## "T" Arm and Hardware

Item Number	Note	Part Number	Description	Quantity Per	
				Package	Assembly
1	A	8881011810	Arm Pad - Desk Length	1	1
1	A	8881011813	Arm Pad, Full Length	1	1
2		1055205	Package, Screw Phillips Head (#10-32 x 1-3/8")	2	1
3		1069639	"T" Arm w/ Plug Buttons, Desk Length - Low Range	1	1
3		1069643	"T" Arm w/ Plug Buttons, Full Length - Low Range	1	1
3		1069641	"T" Arm w/ Plug Buttons, Desk Length - High Range	1	1
3		1069645	"T" Arm w/ Plug Buttons, Full Length - High Range	1	1
4		1027095	Plug Button, Black (7/8")	1	2
5		1069635	Arm Post, Low Range	1	1
5		1069637	Arm Post, High Range	1	1
6		1073424	Kit, Clothing Guard, Low Range - Right	1	1
6		1073425	Kit, Clothing Guard, Low Range - Left	1	1
6		1073422	Kit, Clothing Guard, High Range - Right	1	1
6		1073423	Kit, Clothing Guard, High Range - Left	1	1
7		1069652	Clothing Guard, Low Range	1	1
7		1069651	Clothing Guard, High Range	1	1
8		1069634	Support Tube, Low Range - Right	1	1
8		1073247	Support Tube, Low Range - Left	1	1
8		1069650	Support Tube, High Range - Right	1	1
8		1073246	Support Tube, High Range - Left	1	1
9		1028427	Grip, Foam	1	1
10		1025731	Locknut (#10-32)	1	1
11		1073235	Lock Lever	1	1
12		1025716	Screw, Phillips Head (#10-32 x 11/16")	1	1
13		1073196	Spring	1	1
14		1006773	Screw, Socket Head (1/4-20 x 1/2")	1	3
15		1075069	Clamp, Clothing Guard - Right	1	1
15		1075070	Clamp, Clothing Guard - Left	1	1
16		1069627	Arm Post Attaching Hardware, Clamp On	1	1
17		1069605	Clamp, "T" Arm Socket -Inside	1	1
18		1026907	Washer (1/4 x 1/2 x 1/16")	1	3
19		1055298	Screw, Hex Head Cap (1/4-28 x 1-5/8")	1	3
20		1075162	Clamp, "T" Arm Socket -Outside	1	1
21		1055346	Screw, Hex Head Cap (1/4-28 x 3/4")	1	4
22		1026108	Lockwasher (1/4 x 15/32 x 1/64")	1	4
23		1069620	Bracket, Socket	1	1
24		1069609	Insert, Arm Socket	1	2
25		1058545	Lever, Actuator	1	1
	B	See Chart	"T" Arm Kits	1	1

NOTE: A - Specify U67 color when ordering.  
B - Not Shown

# "T" Arm and Hardware

## "T" Arm Kits

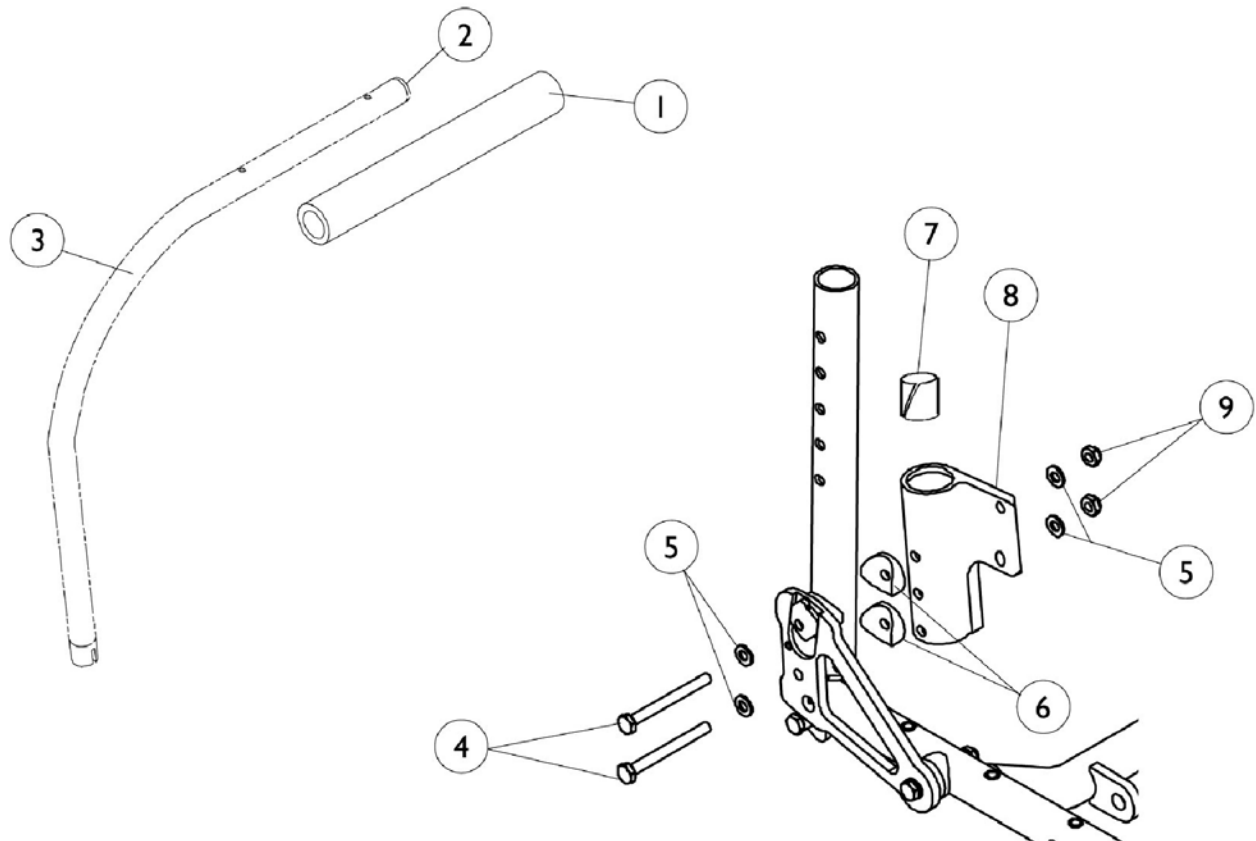
Kits Include Items 1-3,5-6

Part Number	Arm Style
8881074078	Desk Length, Low Range (1 Pair)
8881074079	Desk Length, High Range (1 Pair)
8881074080	Full Length, Low Range (1 Pair)
8881074081	Full Length, High Range (1 Pair)

Specify U67 upholstery color when ordering.



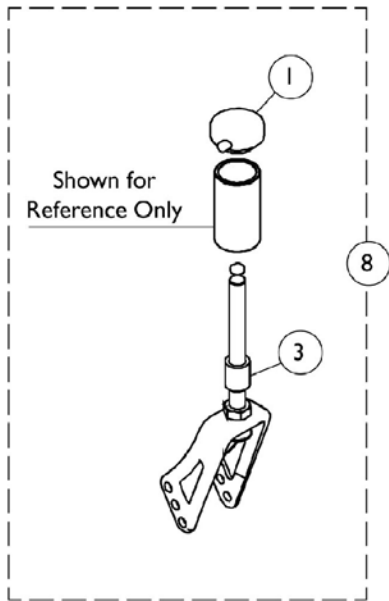
# Half Arms and Hardware



## Half Arms and Hardware

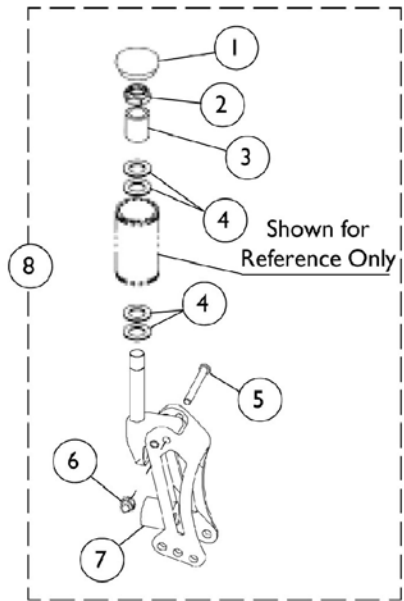
Item Number	Note	Part Number	Description	Quantity Per	
				Package	Assembly
1		1032244	Grip, Foam Hand (9" Long)	1	1
2		1056328	Plug Button (1")	1	1
3		1093828	Half Arm Tube -Right	1	1
3		1093829	Half Arm Tube -Left	1	1
4		1055351	Screw, Hex Head (1/4-28 x 2-1/2")	1	2
5		1026907	Washer (1/4 x 1/2 x 1/16")	1	2
6		40157X020	Spacer, Coved (1/4 x 1 x 9/16")	1	2
7		1018687	Sleeve, Bearing	1	1
8	A	1097056	Socket, Half Arm - Right	1	1
8	A	1097057	Socket, Half Arm - Left	1	1
9		1025765	Locknut (1/4-28)	1	3
NOTE: A - Includes Item 2.					

# Caster Forks and Hardware



**Non  
Suspension**

**Suspension**



## Caster Forks and Hardware

Item Number	Note	Part Number	Description	Quantity Per	
				Package	Assembly
1		1088523	Cap, Headtube	1	1
1		1042044	Cap, Headtube - Quick Release Caster	1	1
2		1025737	Locknut (1/2-20)	1	6
3		1046495	Spacer (1/2 x 3/4 x 1")	1	1
4		1026174	Washer (1/2 x 7/8 x 3/64")	1	1
5		1030957	Screw, Socket Head Shoulder (1/4 x 1-3/4")	1	1
6		1100857	Nut, Hex with Nylon Cap (#10-24)	1	1
7		See Chart	#7 Polyurethane Springs	2	1
7		See Chart	#7 Polyurethane Spring Kits	2	1
8		See Chart	#8 Caster Forks with Hardware	1	2

### #7 Polyurethane Springs

User's Weight Range	Spring Color	Part Number
0 lbs to 140 lbs	Blue	1100506 See Note(s) A
141 lbs to 220 lbs	Black	1100507 See Note(s) A
221 lbs to 250 lbs	Purple	1100508 See Note(s) A

NOTE: A - Includes 2 Springs

### #7 Polyurethane Spring Kits

User's Weight Range	Spring Quantity/Color	Part Number
0 Lbs. to 100 Lbs.	4 Blue	1100509 See Note(s) A
101 Lbs. to 140 Lbs.	2 Blue / 2 Black	1100510 See Note(s) A
141 Lbs. to 180 Lbs.	4 Black	1100511 See Note(s) A
181 Lbs. to 220 Lbs.	2 Black / 2 Purple	1100512 See Note(s) A
221 Lbs. to 250 Lbs.	4 Purple	1100513 See Note(s) A

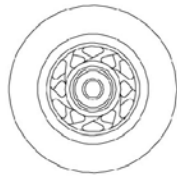
NOTE: A - Includes 4 Springs

# Caster Forks and Hardware

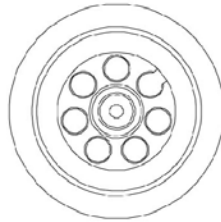
## #8 Caster Forks with Hardware

Fork Type	Standard/Quad Release	Fork Stem	0-140 Lbs. User's Weight	141-220 Lbs. User's Weight	221-250 Lbs. User's Weight
Non Suspension	Standard	With 1" Extension	1101206	1101206	1101206
Non Suspension	Quick Release	Without 1" Extension	1098499	1098499	1098499
Non Suspension	Quick Release	With 1" Extension	1098500	1098500	1098500
Suspension	Standard	With 1" Extension	1098110	1098109	1098108
Suspension	Quick Release	Without 1' Extension	1098517	1098515	1098513
Suspension	Quick Release	With 1' Extension	1098518	1098516	1098514

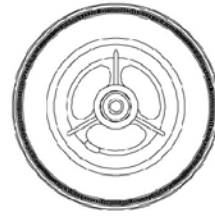
# Caster Wheels and Hardware



3" Urethane



5" Aluminum Urethane

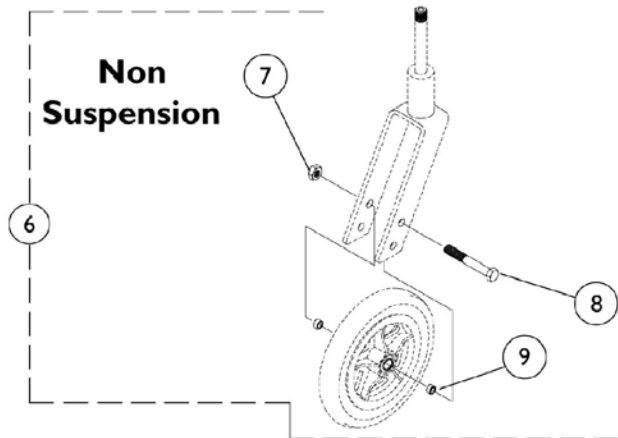
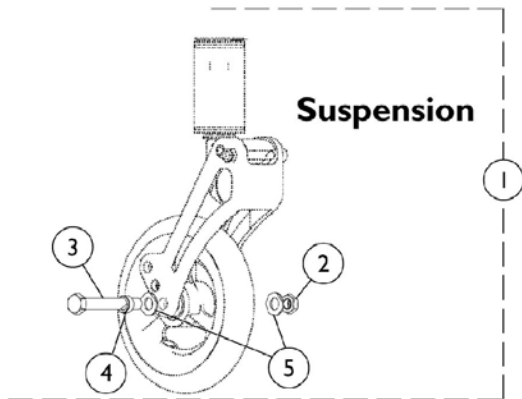


5" / 6" Composite Urethane

# Caster Wheels and Hardware

## Caster Wheels

Wheel Style	Wheel Style	Tire Type	Bearing	Beaing Spacer	Caster w/ Bearings	Tire	Tube
AT900	3"	Urethane	40117X026	1026172	1032190	N/A	N/A
5ALUM	5"	Urethane	40117X026	1026172	1026952	N/A	N/A
AT901	5"	Urethane	40117X026	1026172	1029496	N/A	N/A
AT902	6"	Urethane	40117X026	1026172	1029500	N/A	N/A
6PNEU	6"	Pneumatic	40117X026	1026172	1044040	1026010	1026011

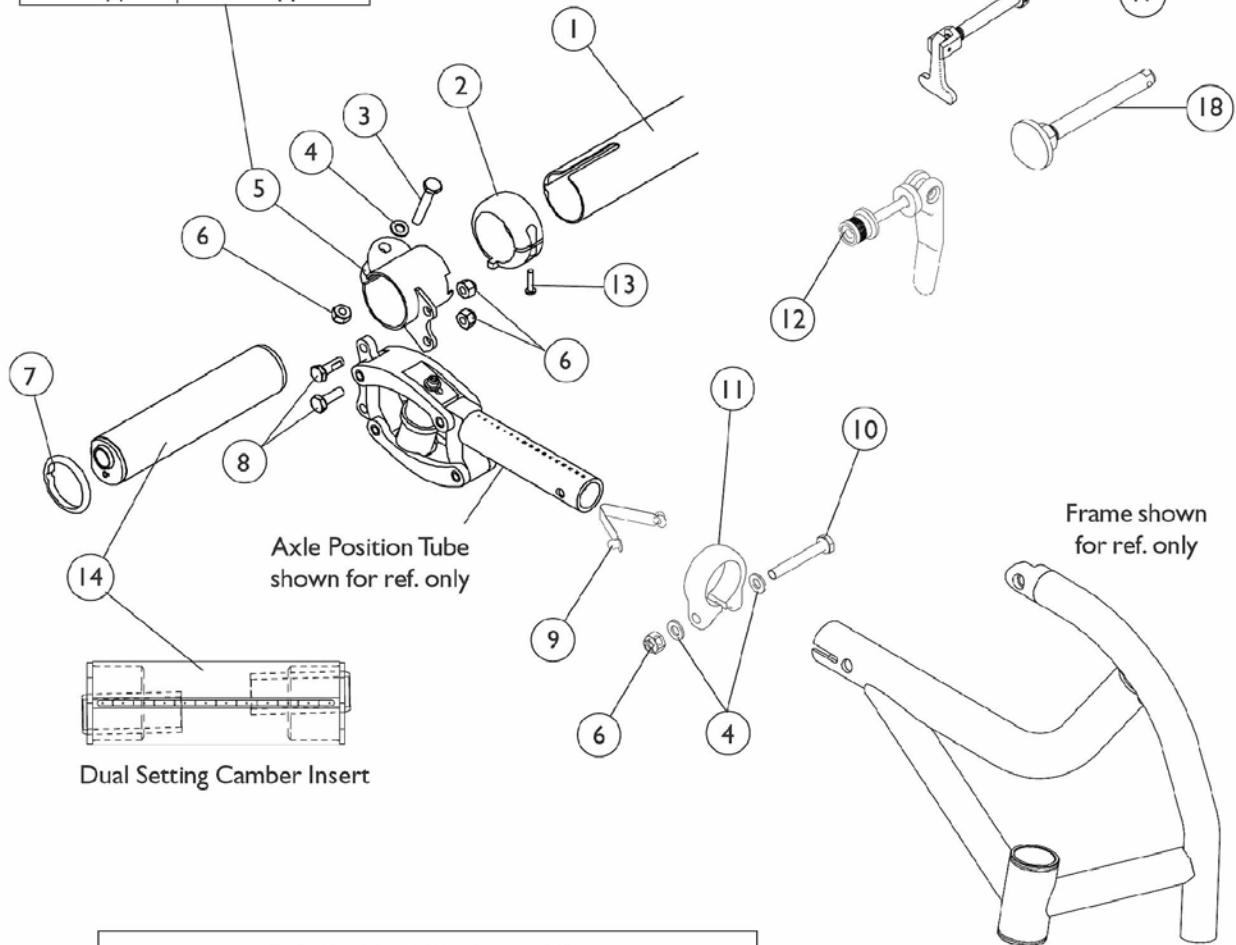
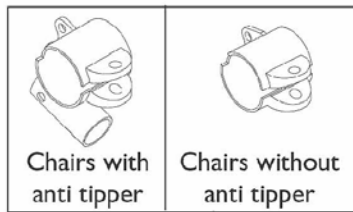


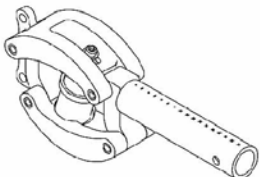
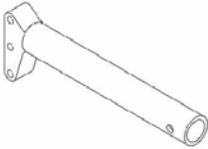
## Caster Wheels and Hardware

Item Number	Note	Part Number	Description	Quantity Per	
				Package	Assembly
1	A	1098114	Suspension Fork Hardware	1	1
2		1025730	Locknut (5/16-24)	1	1
3		1025764	Screw, Hex Head Cap (5/16-24 x 2-1/4")	1	1
4		1028539	Spacer	1	2
5		1025704	Washer, Flat (5/16 x 5/8 x 1/16")	1	2
6	B	1026926	Non-Suspension Fork Hardware	2	1
7		1025730	Locknut (5/16-24)	1	1
8		1026908	Screw, Hex Head (5/16-24 x 2-1/2")	2	1
9		1026160	Spacer (5/16 x 7/16 x 3/8")	4	1
	C	See Chart	Caster Wheels	1	1
NOTE: A - Includes items 2-5 B - Includes items 7-9 C - Not Shown					



# Axles, Camber Bars, and Wheel Attaching Hardware



Axle Position Tube Assemblies	
	
Suspension	Non-Suspension

## Axles, Camber Bars, and Wheel Attaching Hardware

Item Number	Note	Part Number	Description	Quantity Per	
				Package	Assembly
1		See Chart	#1 Axle Tubes	1	1
2		1065886	Ring, Toe-In/ Toe-Out Adjusting	1	2
3		1055347	Screw, Hex Head (1/4-28 x 1-1/2")	1	2
3	A,B	1083913	Pin, Quick Release	1	1
4		1026907	Washer (1/4 x 1/2 x 1/16")	1	2
5		1098115	Clamp, Camber without Anti-Tip Mount -Right	1	1
5		1098116	Clamp, Camber without Anti-Tip Mount -Left	1	1
5		1098117	Clamp, Camber with Anti-Tip Mount -Right	1	1
5		1098118	Clamp, Camber with Anti-Tip Mount -Left	1	1
6		1065362	Locknut (1/4-28)	1	2
7		1065887	Indexing Ring	1	2
8		1080135	Screw, Hex Head (1/4-28 x 3/4")	1	2
9		1025763	Spring, Double Button	1	1
10		1055348	Screw, Hex Head Cap (1/4-28 x 1-3/4")	1	2
11		1097976	Clamp, Tube	1	1
12		1064265	Pin, Quick Release	1	2
13		1066489	Screw, Thread Forming (4 x 16MM)	1	2
14		See Chart	#14 Dual Setting Camber Inserts	1	2
15		1062949	Decal, Indexing	1	2
16		1040361	Axle, Quick Release w/ Locknut (1/2" x 5")	1	1
17		1043487	Axle, Quad Release	1	1
18	C	1068038-NLA	Axle, Quick Release (Dome)	1	1
18	D	1113049	Axle, Quick Release with Dome Button (Black)	1	1
18	E	1065303	Axle, Quick Release with Flat Button (Black)	1	1

NOTE: A - Not Shown  
 B - Quick Release Pin may be substituted for Screw (item 3).  
 C - Q.R. Axle (1068038) had an Anodized Dome finish. Q.R. Axle part no. 1113049, w/ Black dome button, can be used as a replacement but may want to replace in pairs due to aesthetics.  
 D - Used on all Spoke Rear Wheels except SPIN24, SPIN25, and SPIN26  
 E - Used on SPIN24, SPIN25, and SPIN26 Spoke Rear Wheels

# Axles, Camber Bars, and Wheel Attaching Hardware

## #1 Axle Tubes

14" Wide	15" Wide	16" Wide	17" Wide	18" Wide	19" Wide	20" Wide
1065992	1065993	1065994	1065995	1065996	1065997	1065998

## #14 Dual Setting Camber Inserts

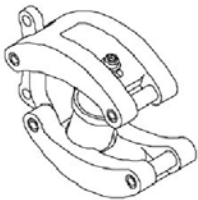
Degree Of Angle	Right	Left
0 Degree - 3 Degree	1066219	1066229
0 Degree - 6 Degree	1066220	1066230
0 Degree - 9 Degree	1066221	1066231
0 Degree - 12 Degree	1066222	1066232
3 Degree - 6 Degree	1066223	1066233
3 Degree - 9 Degree	1066224	1066234
3 Degree - 12 Degree	1066225	1066235
6 Degree - 9 Degree	1066226	1066236
6 Degree - 12 Degree	1066227	1066237
9 Degree - 12 Degree	1066228	1066238

# Axle Tube Position Assembly

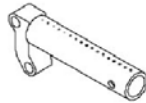
For Suspension Chairs, it is recommended that Axle Tube Position Assemblies be replaced in pairs. First, select a Rear Suspension Assembly. Second, select a Positioning Tube.

When ordering, please state if the Rear Suspension Assembly and Positioning Tubes are to be factory assembled.

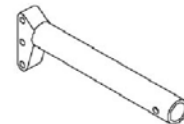
## I. Rear Suspension Assembly



## 2. Positioning Tube for Suspension Chairs



## 3. Positioning Tube for Non-Suspension Chairs



# Axle Tube Position Assembly

For Suspension Chairs, it is recommended that Axle Tube Position Assemblies be replaced in pairs. First, select a Rear Suspension Assembly. Second, select a Positioning Tube.

When ordering, please state if the Rear Suspension Assembly and Positioning Tubes are to be factory assembled.

## #1 Rear Suspension Assembly

User's Weight Range	Part Number	Spring Color
0 lbs to 100 lbs	1093150	Blue/Blue
101 lbs to 140 lbs	1093151	Blue/Black
141 lbs to 180 lbs	1093152	Black/Black
181 lbs to 220 lbs	1093153	Black/Purple
221 lbs to 250 lbs	1093154	Purple/Purple

## Axle Tube Position Assembly

For Suspension Chairs, it is recommended that Axle Tube Position Assemblies be replaced in pairs. First, select a Rear Suspension Assembly. Second, select a Positioning Tube.

When ordering, please state if the Rear Suspension Assembly and Positioning Tubes are to be factory assembled.

### #2 Positioning Axle Tubes - Chairs without Amputee Attachments - Suspension Chairs

Wheel Size/ Chair Depth	17" Front STF	18" Front STF	19" Front STF	20" Front STF	21" Front STF
22" / 14" Deep	1098018	1098018	1098018	1098016	N/A
22" / 15" Deep	1098020	1098020	1098020	1098018	N/A
22" / 16" Deep	1098022	1098022	1098022	1098020	N/A
22"/ 17-20" Deep	1098024	1098024	1098024	1098022	N/A
24" / 14" Deep	1098020	1098018	1098018	1098018	1098016
24" / 15" Deep	1098022	1098020	1098020	1098020	1098018
24" / 16" Deep	1098024	1098022	1098022	1098022	1098020
24"/ 17-20" Deep	1098026	1098024	1098024	1098024	1098022
26" / 14" Deep	N/A	1098020	1098018	1098018	1098018
26" / 15" Deep	N/A	1098022	1098020	1098020	1098020
26" / 16" Deep	N/A	1098024	1098022	1098022	1098022
26"/ 17-20" Deep	N/A	1098026	1098024	1098024	1098024

## Axle Tube Position Assembly

For Suspension Chairs, it is recommended that Axle Tube Position Assemblies be replaced in pairs. First, select a Rear Suspension Assembly. Second, select a Positioning Tube.

When ordering, please state if the Rear Suspension Assembly and Positioning Tubes are to be factory assembled.

### #2 Positioning Axle Tubes - Chairs with Amputee Attachments - Suspension Chairs

Wheel Size/ Chair Depth	17" Front STF	18" Front STF	19" Front STF	20" Front STF	21" Front STF
22" / 14" Deep	1098026	1098026	1098026	1098024	N/A
22" / 15" Deep	1098028	1098028	1098028	1098026	N/A
22" / 16" Deep	1098030	1098030	1098030	1098028	N/A
22"/ 17-20" Deep	1098032	1098032	1098032	1098030	N/A
24" / 14" Deep	1098028	1098026	1098026	1098026	1098024
24" / 15" Deep	1098030	1098028	1098028	1098028	1098026
24" / 16" Deep	1098032	1098030	1098030	1098030	1098028
24"/ 17-20" Deep	1098034	1098032	1098032	1098032	1098030
26" / 14" Deep	N/A	1098028	1098026	1098026	1098026
26" / 15" Deep	N/A	1098030	1098030	1098028	1098028
26" / 16" Deep	N/A	1098032	1098032	1098030	1098030
26"/ 17-20" Deep	N/A	1098034	1098034	1098032	1098032

## Axle Tube Position Assembly

For Suspension Chairs, it is recommended that Axle Tube Position Assemblies be replaced in pairs. First, select a Rear Suspension Assembly. Second, select a Positioning Tube.

When ordering, please state if the Rear Suspension Assembly and Positioning Tubes are to be factory assembled.

### #3 Positioning Axle Tubes - Chairs without Amputee Attachments - Non-Suspension Chairs

Wheel Size/ Chair Depth	17" Front STF	18" Front STF	19" Front STF	20" Front STF	21" Front STF
22" / 14" Deep	1098088	1098088	1098086	1098086	N/A
22" / 15" Deep	1098088	1098088	1098086	1098086	N/A
22" / 16" Deep	1098088	1098088	1098086	1098086	N/A
22"/ 17-20" Deep	1098088	1098088	1098086	1098086	N/A
24" / 14" Deep	1098088	1098088	1098088	1098086	1098086
24" / 15" Deep	1098088	1098088	1098088	1098086	1098086
24" / 16" Deep	1098088	1098088	1098088	1098086	1098086
24"/ 17-20" Deep	1098088	1098088	1098088	1098086	1098086
26" / 14" Deep	N/A	1098088	1098088	1098088	1098086
26" / 15" Deep	N/A	1098088	1098088	1098088	1098086
26" / 16" Deep	N/A	1098088	1098088	1098088	1098086
26"/ 17-20" Deep	N/A	1098088	1098088	1098088	1098086



## Axle Tube Position Assembly

For Suspension Chairs, it is recommended that Axle Tube Position Assemblies be replaced in pairs. First, select a Rear Suspension Assembly. Second, select a Positioning Tube.

When ordering, please state if the Rear Suspension Assembly and Positioning Tubes are to be factory assembled.

### #3 Positioning Axle Tubes - Chairs with Amputee Attachments - Non-Suspension Chairs

Wheel Size/ Chair Depth	17" Front STF	18" Front STF	19" Front STF	20" Front STF	21" Front STF
22" / 14" Deep	1098096	1098096	1098094	1098094	N/A
22" / 15" Deep	1098096	1098096	1098094	1098094	N/A
22" / 16" Deep	1098096	1098096	1098094	1098094	N/A
22"/ 17-20" Deep	1098096	1098096	1098094	1098094	N/A
24" / 14" Deep	1098096	1098096	1098096	1098094	1098094
24" / 15" Deep	1098096	1098096	1098096	1098094	1098094
24" / 16" Deep	1098096	1098096	1098096	1098094	1098094
24"/ 17-20" Deep	1098026	1098096	1098096	1098094	1098094
26" / 14" Deep	N/A	1098096	1098096	1098094	1098094
26" / 15" Deep	N/A	1098096	1098096	1098094	1098094
26" / 16" Deep	N/A	1098096	1098096	1098094	1098094
26"/ 17-20" Deep	N/A	1098096	1098096	1098094	1098024

## Composite Rear Wheels (without Handrims)

Wheel Style	Wheel Size	Tire Type	Wheel Single #	Tire	Tube/ Insert	Bearing	Hub Spacer
22COM	22 x 1-1/4"	Urethane	1032116	1028250	N/A	40117X022	1015756
22COM	22 x 1-3/8"	Pneumatic	1026420	1018544	1018545	40117X022	1015756
22COM	22 x 1-3/8"	Pneumatic w/ Flat Free	1026421	1018544	1023323	40117X022	1015756
24COM7	24 x 1-1/4"	Urethane	1032118	1026904	N/A	40117X022	1015756
24COM7	24 x 1-1/4"	KIK	1091330	1062852	N/A	40117X022	1015756
24COM7	24 x 1-3/8"	Pneumatic	1026362	40176X060	40176X061	40117X022	1015756
24COM7	24 x 1-3/8"	Pneumatic w/ Flat Free	1026363	40176X060	1010906	40117X022	1015756
3SCF	25"	559 Primo See Note(s) A	1064552	1044947	1029471	N/A	N/A

NOTE: A - The 3 Spoke Carbon Fiber Wheel comes with the Handrim already attached.

## Spoke Rear Wheels (without Handrims)

Wheel Style	Wheel Size	Tire Type	Wheel Assembly	Tire	Tube Insert	Bearing	Hub Spacer
22SP	22 x 1-3/8"	Pneumatic	1115656 See Note(s) C	1018544	1018545	40117X021	1015756
22SP	22 x 1-3/8"	Pneumatic w/ Flat Free	1115658 See Note(s) C, A	1018544	1023323	40117X021	1015756
24SP	24"	Continental	1116705 See Note(s) C	1026139	N/A	40117X021	1015756
24SP	24"	Pneumatic	1115660 See Note(s) C	40176X060	40176X061	40117X021	1015756
24SP	24"	Pneumatic w/ Flat Free	1116707 See Note(s) C, A	40176X060	1010906	40117X021	1015756
24SP	24"	Primo	1115662 See Note(s) C	1026138	1032240	40117X021	1015756
24SP	24"	KIK	1114112 See Note(s) C	1062852	N/A	40117X021	1015756
24HPS	24"	Continental	1116713 See Note(s) C	1026139	N/A	40117X021	1015756
24HPS	24"	Pneumatic	1116709 See Note(s) C	40176X060	40176X061	40117X021	1015756
24HPS	24"	Pneumatic w/ Flat Free	1116715 See Note(s) C, A	40176X060	1010906	40117X021	1015756
24HPS	24"	Primo	1116711 See Note(s) C	1026138	1032240	40117X021	1015756
24HPS	24"	KIK	1114138 See Note(s) C	1062852	N/A	40117X021	1015756
SPIN24	24"	Primo (Single #)	1112338 See Note(s) B	1026138	1105941	40117X021	N/A
SPIN24	24"	Primo (1 Pair)	1112353 See Note(s) B	1026138	1105941	1104350	N/A
559TS	25"	Primo	1116717 See Note(s) C	1044947	1029471	40117X021	1015756
SPIN25	25"	Primo (Single #)	1112348 See Note(s) B	1044947	1104326	1104350	N/A
SPIN25	25"	Primo (1 Pair)	1112354 See Note(s) B	1044947	1104326	1104350	N/A
26HPS	26"	Continental	1115653 See Note(s) C	1026143	N/A	40117X021	1015756
26HPS	26"	Pneumatic	1115652 See Note(s) C	1026142	1026140	40117X021	1015756
26HPS	26"	Primo	1115654 See Note(s) C	1029470	1029471	40117X021	1015756
SPIN26	26"	Primo (Single #)	1112343 See Note(s) B	1029470	1104326	1104350	N/A
SPIN26	26"	Primo (1 Pair)	1112355 See Note(s) B	1029470	1104326	1104350	N/A

## Spoke Rear Wheels (without Handrims)

Wheel Style	Wheel Size	Tire Type	Wheel Assembly	Tire	Tube Insert	Bearing	Hub Spacer
26SP	26"	Continental	1116721 See Note(s) C	1026143	N/A	40117X021	1015756
26SP	26"	Pneumatic	1116719 See Note(s) C	1026142	1026140	40117X021	1015756
26SP	26"	Primo	1116723 See Note(s) C	1029470	1029471	40117X021	1015756
700SP	27"	Umma Gumma	1116727 See Note(s) C	1045836	1045837	40117X021	1015756

NOTE: A - Stem Hole Plugs (Part Number 1030936) are used with Flat Free and Urethane Tires.  
 B - As of 7/15/02 Spinergy Wheels now have 18 spokes instead of 30. For chairs built Before 7/15/02, it is recommended when one wheel is requested that the wheels be replaced in pairs.  
 C - As of 11/08/02 these wheels now have a Black finish. For chairs built Before 11/08/02, it is recommended when one wheel is requested that the wheels be replaced in pairs.

## Spoke Rear Wheels (without Handrims)

Item Number	Note	Part Number	Description	Quantity Per	
				Package	Assembly
	A	1030936	Valve Stem Plug	1	1
	A	See Chart	Wheels without Handrims - Spoke	1	1

NOTE: A - Not Shown

## Spoke Rear Wheels (with Handrims)

Wheel Style	Tire Type	Anodized Aluminum	Grey Plastic Coated	Black Plastic Coated	8 Vertical Projection	8 Oblique Projection
22SP	Pneumatic	1115588 See Note(s) B	1049452-NLA	1115591 See Note(s) B	1115425 See Note(s) B	N/A
22SP	Pneumatic with Flat Free	1115590 See Note(s) B	1049456-NLA	1115593 See Note(s) B	1115426 See Note(s) B	N/A
24SP	Pneumatic	1115594 See Note(s) B	1049460-NLA	1115599 See Note(s) B	1115427 See Note(s) B	1115428 See Note(s) B
24SP	Pneumatic with Flat Free	1115597 See Note(s) B	1049465-NLA	1115601 See Note(s) B	1115429 See Note(s) B	1115430 See Note(s) B
24SP	Primo	1115602 See Note(s) B	1049470-NLA	1115603 See Note(s) B	1115431 See Note(s) B	1115432 See Note(s) B
24SP	Continental	1115606 See Note(s) B	1049475-NLA	1115607 See Note(s) B	1115433 See Note(s) B	1115434 See Note(s) B
24SP	KIK	1115645 See Note(s) B	1091332-NLA	1115646 See Note(s) B	1115447 See Note(s) B	1115448 See Note(s) B
24HPS	Pneumatic	1115622 See Note(s) B	1049496-NLA	1115623 See Note(s) B	1115439 See Note(s) B	N/A
24HPS	Pneumatic with Flat Free	1115625 See Note(s) B	1049500-NLA	1115626 See Note(s) B	1115440 See Note(s) B	N/A
24HPS	Primo	1115628 See Note(s) B	1049504-NLA	1115629 See Note(s) B	1115441 See Note(s) B	N/A
24HPS	Continental	1115631 See Note(s) B	1049508-NLA	1115632 See Note(s) B	1115442 See Note(s) B	N/A
24HPS	KIK	1115649 See Note(s) B	1091337-NLA	1115650 See Note(s) B	1115449 See Note(s) B	N/A
SPIN24	Primo	1112339 See Note(s) A	N/A	N/A	N/A	N/A
559TS	Primo	1115610 See Note(s) B	1049480-NLA	1115611 See Note(s) B	1115435 See Note(s) B	N/A
SPIN25	Primo	1112349 See Note(s) A	N/A	N/A	N/A	N/A
26SP	Pneumatic	1115613 See Note(s) B	1049484-NLA	1115614 See Note(s) B	1115436 See Note(s) B	N/A
26SP	Primo	1115616 See Note(s) B	1049488-NLA	1115617 See Note(s) B	1115437 See Note(s) B	N/A
26SP	Continental	1115619 See Note(s) B	1049492-NLA	1115620 See Note(s) B	1115438 See Note(s) B	N/A
26HPS	Pneumatic	1115636 See Note(s) B	1049555-NLA	1115637 See Note(s) B	1115444 See Note(s) B	N/A
26HPS	Primo	1115639 See Note(s) B	1049559-NLA	1115640 See Note(s) B	1115445 See Note(s) B	N/A
SPIN26	Primo See Note(s) A	1112344 See Note(s) A	N/A	N/A	N/A	N/A
700SP	Umma Gumma	1115634 See Note(s) B	1049553-NLA	N/A	N/A	N/A

## Spoke Rear Wheels (with Handrims)

NOTE: A - As of 7/15/02 Spinergy Wheels now have 18 spokes instead of 30. For chairs built Before 7/15/02, it is recommended when one wheel is requested that the wheels be replaced in pairs.  
B - As of 11/8/02 these wheels now have a Black finish. For chairs built Before 11/8/02, it is recommended when one wheel is requested that the wheels be replaced in pairs.

# Handrims

## Non Projection Handrims

Wheel Style	Anodized Aluminum	Grey Plastic Coated	Black Plastic Coated
22COM	1033373	1026419-NLA See Note(s) A	1115401
22SP	1043443	1043499-NLA See Note(s) A	1043689
24COM7	1033372	1015784-NLA See Note(s) A	1115397
24SP	1026136	1029483-NLA See Note(s) A	1035612
SPIN24 (30 Spoke)	1026136	1029483-NLA See Note(s) A	1035612
SPIN24 (18 Spoke)	1114300	N/A	N/A
24HPS	1026136	1029483-NLA See Note(s) A	1035612
559TS	1029493	1043251-NLA See Note(s) A	1043249
SPIN25 (30 Spoke)	1029493	1043251-NLA See Note(s) A	1043249
SPIN25 (18 Spoke)	1114301	N/A	N/A
26SP	1026137	1029484-NLA See Note(s) A	1035613
SPIN26 (30 Spoke)	1026137	1029484-NLA See Note(s) A	1035613
SPIN26 (18 Spoke)	1114302	N/A	N/A
26HPS	1026137	1029484-NLA See Note(s) A	1035613
700SP See Note(s) A	1047086	1047087-NLA See Note(s) A	1115413

NOTE: A - Grey plastic coated handrim is no longer available; if a replacement is needed, order the black plastic coated as replacement in pairs so the handrims on both sides of the chair match.



# Handrims

## Projection Handrims

Wheel Style	8 Vertical Projections (Grey)	8 Oblique Projections (Grey)	12 Vertical Projections (Grey)	8 Vertical Projections (Black)	8 Oblique Projections (Black)	12 Vertical Projections (Black)
22COM	1046922-NLA See Note(s) A	N/A	N/A	1115412	N/A	N/A
22SP	1045506-NLA See Note(s) A	N/A	N/A	1115407	N/A	N/A
24COM7	1015432-NLA See Note(s) A	1015434-NLA See Note(s) A	1015433-NLA See Note(s) A	1115394	1115396	1115395
24SP	1115408 See Note(s) A	1045510-NLA See Note(s) A	N/A	1115408	1115411	N/A
SPIN24 (30 Spoke)	1115408 See Note(s) A	1045510-NLA See Note(s) A	N/A	1115408	1115411	N/A
SPIN24 (18 Spoke)	N/A	N/A	N/A	N/A	N/A	N/A
24HPS	1115408 See Note(s) A	1045510-NLA See Note(s) A	N/A	1115408	1115411	N/A
559TS	1045508-NLA See Note(s) A	N/A	N/A	1115409	N/A	N/A
SPIN25 (30 Spoke)	1045508-NLA See Note(s) A	N/A	N/A	1115409	N/A	N/A
SPIN25 (18 Spoke)	N/A	N/A	N/A	N/A	N/A	N/A
26SP	1045509-NLA See Note(s) A	N/A	N/A	1115410	N/A	N/A
SPIN26 (30 Spoke)	1045509-NLA See Note(s) A	N/A	N/A	1115410	N/A	N/A
SPIN26 (18 Spoke)	N/A	N/A	N/A	N/A	N/A	N/A
26HPS	1045509-NLA See Note(s) A	N/A	N/A	1115410	N/A	N/A
700SP	N/A	N/A	N/A	N/A	N/A	N/A

NOTE: A - Grey plastic coated handrim is no longer available; if a replacement is needed, order the black plastic coated as replacement in pairs so the handrims on both sides of the chair match.

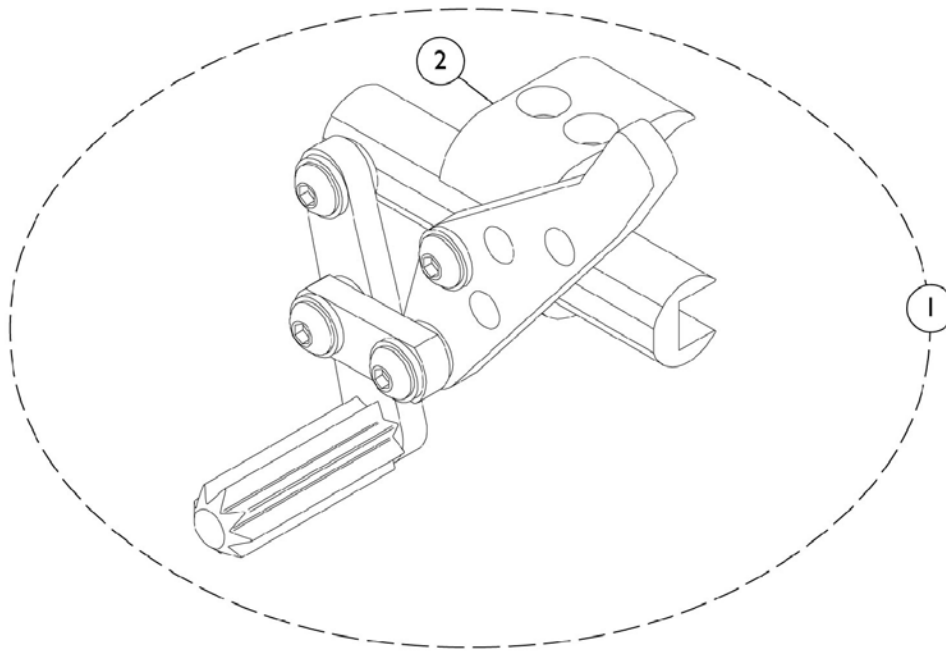
## Handrim Hardware

**(Hardware Kits To Attach A Single Handrim Only)**

Wheel Style	Anodized Aluminum	Grey/Black Plastic Coated	8 Vertical Projections	8 Oblique Projections	12 Vertical Projections
22COM	1026384	1026383	1026380	N/A	N/A
22SP	1043708	1043708	1026910	N/A	N/A
24COM7	1026384	1026383	1026380	1026381	1026382
24SP	1026910	1026910	1026910	1026910	N/A
SPIN24	1026910	N/A	N/A	N/A	N/A
24HPS	1026910	1026910	1026910	1026910	N/A
559TS	1026910	1026910	1026910	N/A	N/A
3SCF	N/A	N/A	N/A	N/A	N/A
SPIN25	1026910	N/A	N/A	N/A	N/A
26SP	1026910	1026910	1026910	N/A	N/A
26HPS	1026910	1026910	1026910	N/A	N/A
SPIN26	1026910	N/A	N/A	N/A	N/A
700SP	1026910	N/A	N/A	N/A	N/A

# High Mount Wheel Lock

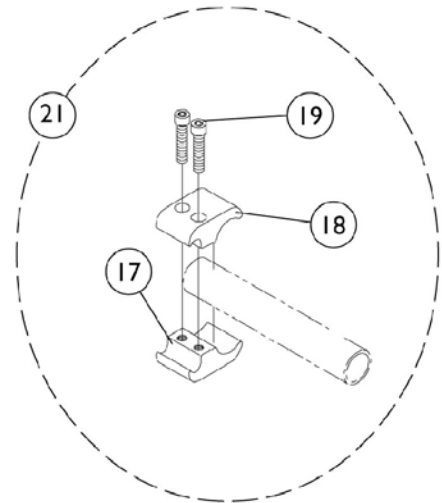
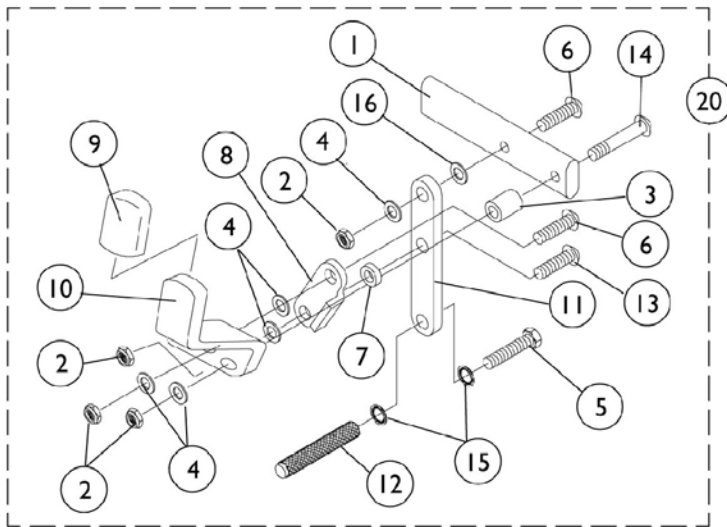
## Push to Lock



Item Number	Note	Part Number	Description	Quantity Per	
				Package	Assembly
1		1046406	Wheel Lock, High Mount (Push to Lock) -Right	1	1
1		1046407	Wheel Lock, High Mount (Push to Lock) -Left	1	1
2		1068210	Kit, Wheel Lock Attaching Hardware (1" Tubing)	1	1
			Screw, Allen Head (1/4-20 x 1")	1	2
			Clamp, Non-Threaded	1	1
			Clamp, Threaded	1	1

# High Mount Wheel Lock

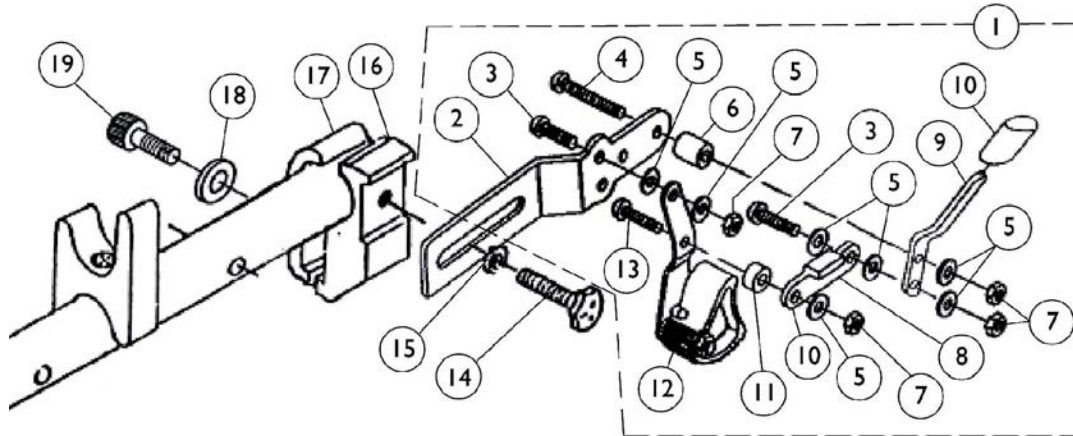
## Pull To Lock



## High Mount Wheel Lock Pull To Lock

Item Number	Note	Part Number	Description	Quantity Per	
				Package	Assembly
1		1028399	Strap, Wheel Lock	1	1
2		1025765	Locknut (1/4-28)	1	4
3		1020363	Spacer (1/4 x 1/2 x 1/2")	1	1
4		1026103	Washer, Nylon (1/4 x 1/2 x 1/32")	1	5
5		1055346	Screw, Hex Head Cap (1/4-28 x 3/4")	1	1
6		1055305	Screw, Button Head Socket Cap (1/4-28 x 3/4")	1	2
7		1028411	Spacer (1/4 x 1/2 x 5/32")	1	1
8		1018733	Link	1	1
9		1006490	Tip, Black	1	2
10		1031780	Handle, Pull/Lock (Black) - Right	1	1
10		1031781	Handle, Pull/Lock (Black) - Left	1	1
11		1029416-NLA	Decal, Super Pro-T -Black Lettering	1	1
12		1029420	Shoe, Wheel Lock	1	1
13		1055304	Screw, Button Head Socket (1/4-28 x 5/8")	1	1
14		1059284	Screw, Button Head Socket (1/4-28 x 1-1/4")	1	1
15		1026108	Lockwasher (1/4 x 15/32 x 1/64")	1	2
16		1026907	Washer (1/4 x 1/2 x 1/16")	1	1
17		1026096	Clamp, Wheel Lock, Threaded (1")	1	1
18		1026097	Clamp, Wheel Lock, Non-Threaded (1")	1	1
19		1027268	Screw, Allen Head (1/4-20 x 1")	1	2
20		1058941	Wheel Lock Assembly (Pull to Lock) -Right	1	1
20		1058942	Wheel Lock Assembly (Pull to Lock) -Left	1	1
21		1039344	Kit, Wheel Lock Attaching Hardware (1" tubing)	1	1
			Clamp, Wheel Lock, Threaded (1")	1	2
			Clamp, Wheel Lock, Non-Threaded (1")	1	2
			Screw, Allen Head (1/4-20 x 1")	1	4

# Hill Holder Wheel Lock and Attaching Hardware

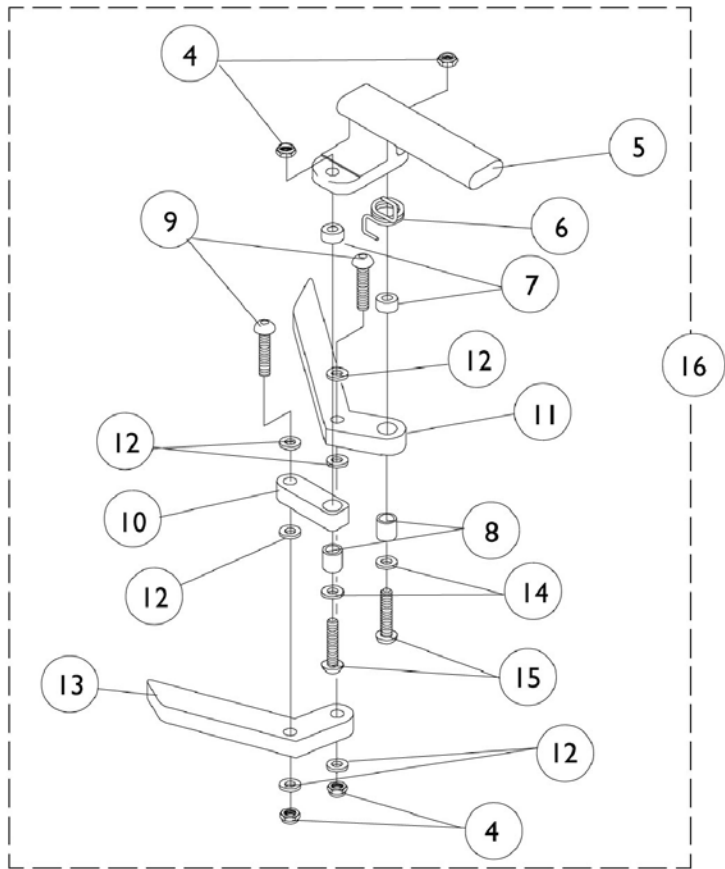
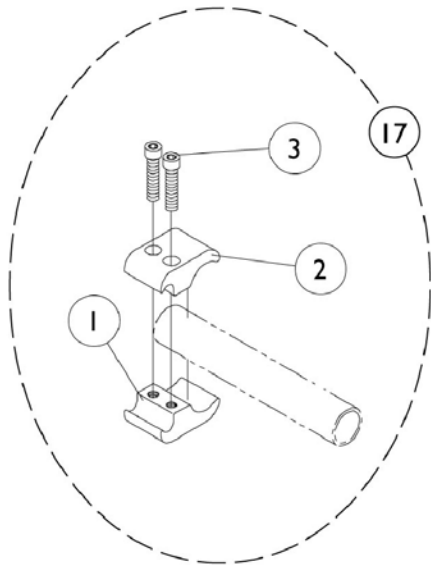


## Hill Holder Wheel Lock and Attaching Hardware

Item Number	Note	Part Number	Description	Quantity Per	
				Package	Assembly
1	A	1026712	Hill Holder Wheel Lock Assembly - Right	1	1
2			Bracket	1	1
3			Screw, Button Head Socket (1/4-28 x 5/8")	1	2
4			Screw, Button Head Socket (1/4-28 x 1-1/4")	1	1
5			Washer, Nylon (1/4 x 1/2 x 1/32")	1	7
6			Spacer (1/4 x 1/2 x 1/2")	1	1
7			Locknut (1/4-28)	1	4
8			Link, Stop	1	1
9			Handle, Hill Holder - Right	1	1
10			Tip, Black	1	1
11			Spacer	1	1
12			Hill Holder -Right	1	1
13			A	1026713	Screw, Button Head Socket Cap (1/4-28 x 3/4")
1	Hill Holder Wheel Lock Assembly - Left	1			1
2	Bracket	1			1
3	Screw, Button Head Socket (1/4-28 x 5/8")	1			2
4	Screw, Button Head Socket (1/4-28 x 1-1/4")	1			1
5	Washer, Nylon (1/4 x 1/2 x 1/32")	1			7
6	Spacer (1/4 x 1/2 x 1/2")	1			1
7	Locknut (1/4-28)	1			4
8	Tip, Black	1			1
9	Handle, Hill Holder - Left	1			1
10	Link, Stop	1			1
11	Spacer	1			1
12	Hill Holder -Left	1			1
13	B,C	1026352	Screw, Button Head Socket Cap (1/4-28 x 3/4")	1	1
14			Kit, Wheel Lock Hardware	2	1
15			Bolt, Hex Head Cap (1/4-20 x 3/4")	1	2
16			Washer (1/4 x 5/8 x 3/32")	1	2
17			Clamp, Half (Threaded)	1	2
18			Clamp, Half (Non-Threaded)	1	2
19			Washer, Nylon (1/4 x 7/16 x 5/64")	1	2
			Screw, Socket Head (1/4-20 x 1-1/4")	1	2

NOTE: A - Includes items 2-13  
 B - Not Shown  
 C - Includes items 14-19

# Undermount Wheel Lock



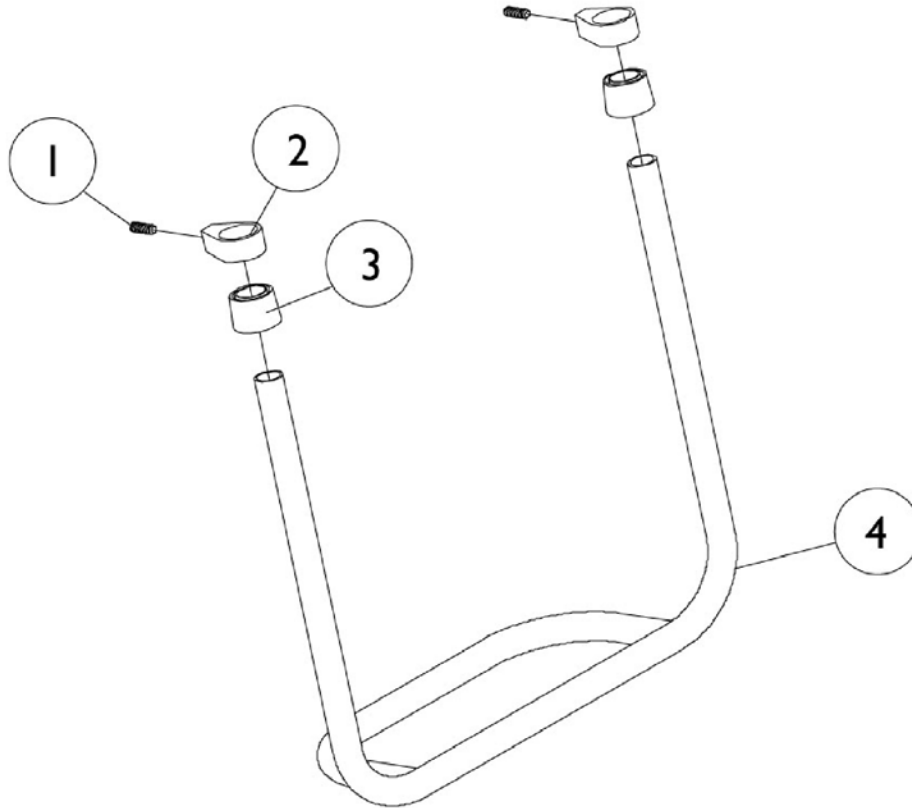


## Undermount Wheel Lock

Item Number	Note	Part Number	Description	Quantity Per	
				Package	Assembly
1		1026096	Clamp, Wheel Lock, Threaded (1")	1	1
2		1026097	Clamp, Wheel Lock, Non-Threaded (1")	1	1
3		1027268	Screw, Allen Head (1/4-20 x 1")	1	2
4		1025765	Locknut (1/4-28)	1	2
5		1037120	Bracket, Mounting -Right	1	1
6		1037121	Bracket, Mounting -Left	1	1
7		1036519	Spring, Torsion -Right	1	2
7		1036520	Spring, Torsion -Left	1	1
8		1005844	Bushing	1	2
9		1055307	Screw, Allen Head (1/4-28 x 1")	1	2
10		1025188	Link, Wheel Lock	1	1
11		1024962	Handle, Wheel Lock	1	1
12		1026103	Washer, Nylon (1/4 x 1/2 x 1/32")	1	6
13		1024961	Shoe, Wheel Lock	1	1
14		1025728	Washer (1/4 x 1/2 x 1/32")	1	2
15		1059284	Screw, Button Head Socket (1/4-28 x 1-1/4")	1	2
16	A	1036647	Undermount Wheel Lock -Right	1	1
16	A	1036648	Undermount Wheel Lock -Left	1	1
17		1039344	Kit, Wheel Lock Attaching Hardware (1" tubing)	1	1
			Clamp, Wheel Lock, Threaded (1")	1	2
			Clamp, Wheel Lock, Non-Threaded (1")	1	2
			Screw, Allen Head (1/4-20 x 1")	1	4

NOTE: A - Includes Items 1-3

# Rigid Tubular Footplate Tapered Front



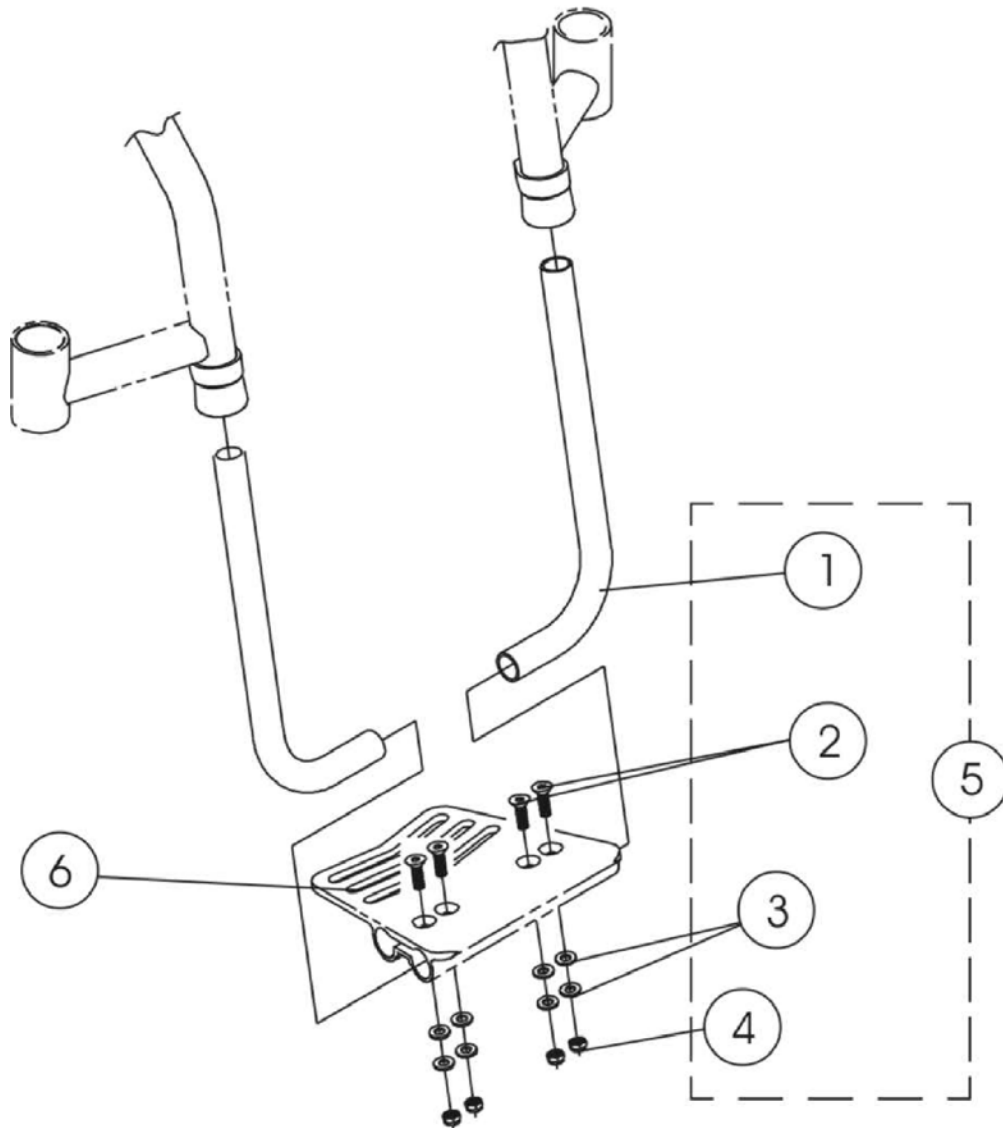
Item Number	Note	Part Number	Description	Quantity Per	
				Package	Assembly
1		1026911	Screw, Socket Set (1/4-20 x 1/2")	1	2
2		1024749	Clamp	1	2
3		15680X013	Anti-Rattle (1")	1	2
4		See Chart	#4 Rigid Tubular Footplate	1	1

# Rigid Tubular Footplate Tapered Front

## #4 Rigid Tubular Footplate

14" Wide	15" Wide	16" Wide	17" Wide	18" Wide	19" Wide	20" Wide
1043272	1043273	1043274	1043275	1043276	1043277	1043278

# One Piece Adjustable Angle Footplate



## One Piece Adjustable Angle Footplate

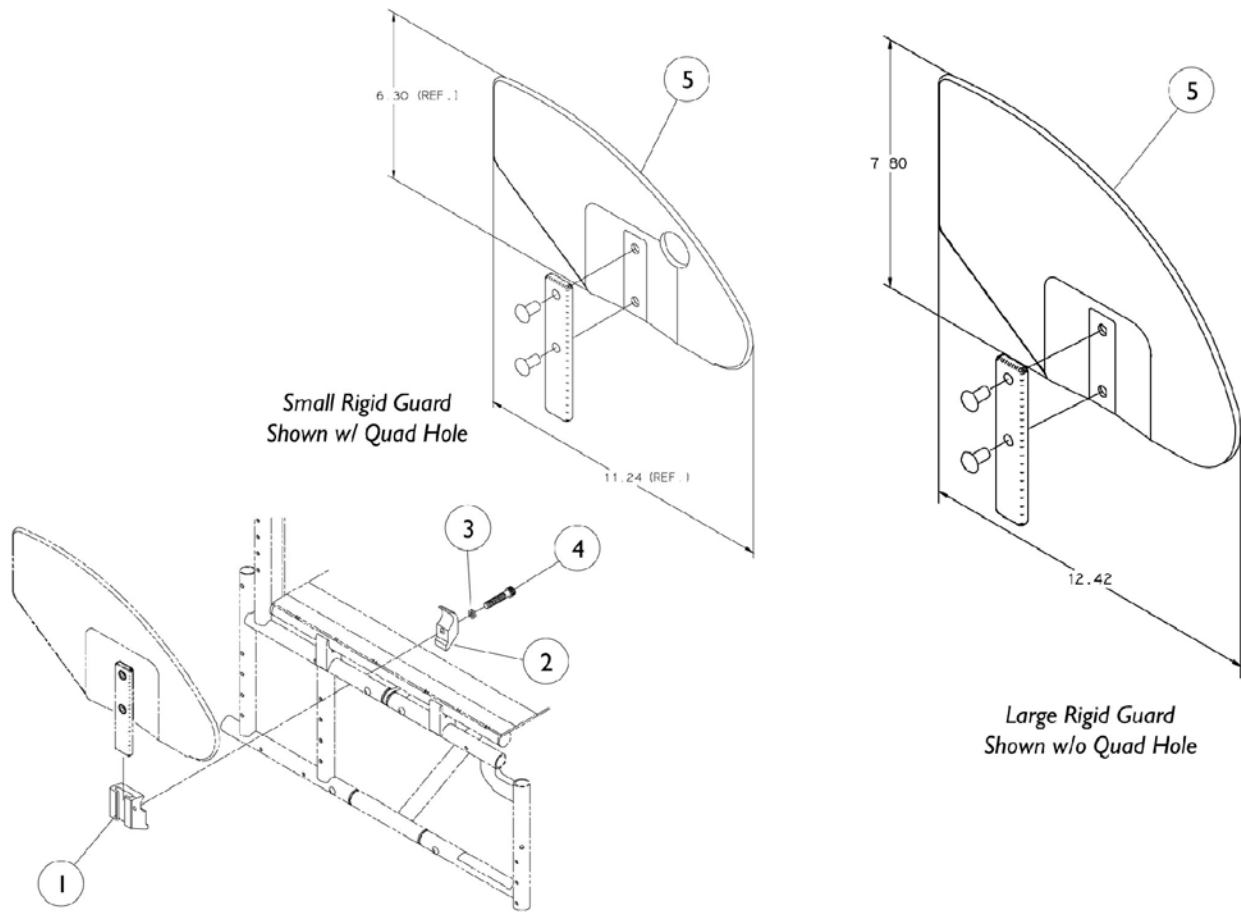
Item Number	Note	Part Number	Description	Quantity Per	
				Package	Assembly
1	A	1046409	Support Tube, Footplate	1	2
1	B	1056296	Support Tube, Footplate	1	2
2		1046421	Screw, Flat Head (1/4-28 x 1")	1	4
3		1013971	Washer, Nylon (1/4 x 7/16 x 5/64")	1	8
4		1025765	Locknut (1/4-28)	1	4
5	A	1046420	Footplate Mounting Hardware	1	1
5	B	1058667	Footplate Mounting Hardware	1	1
6		See Chart	#6 One Piece Adjustable Angle Footplate	1	1

NOTE: A - Tapered Front  
B - "V" Front

### #6 One Piece Adjustable Angle Footplate

Front Frame Type	14" Wide	15" Wide	16" Wide	17" Wide	18" Wide	19" Wide	20" Wide
Tapered	1046461	1046462	1046463	1046464	1046465	1046466	1046466
"V" Front	1046462	1046463	1046464	1046465	1046466	1046466	1046466

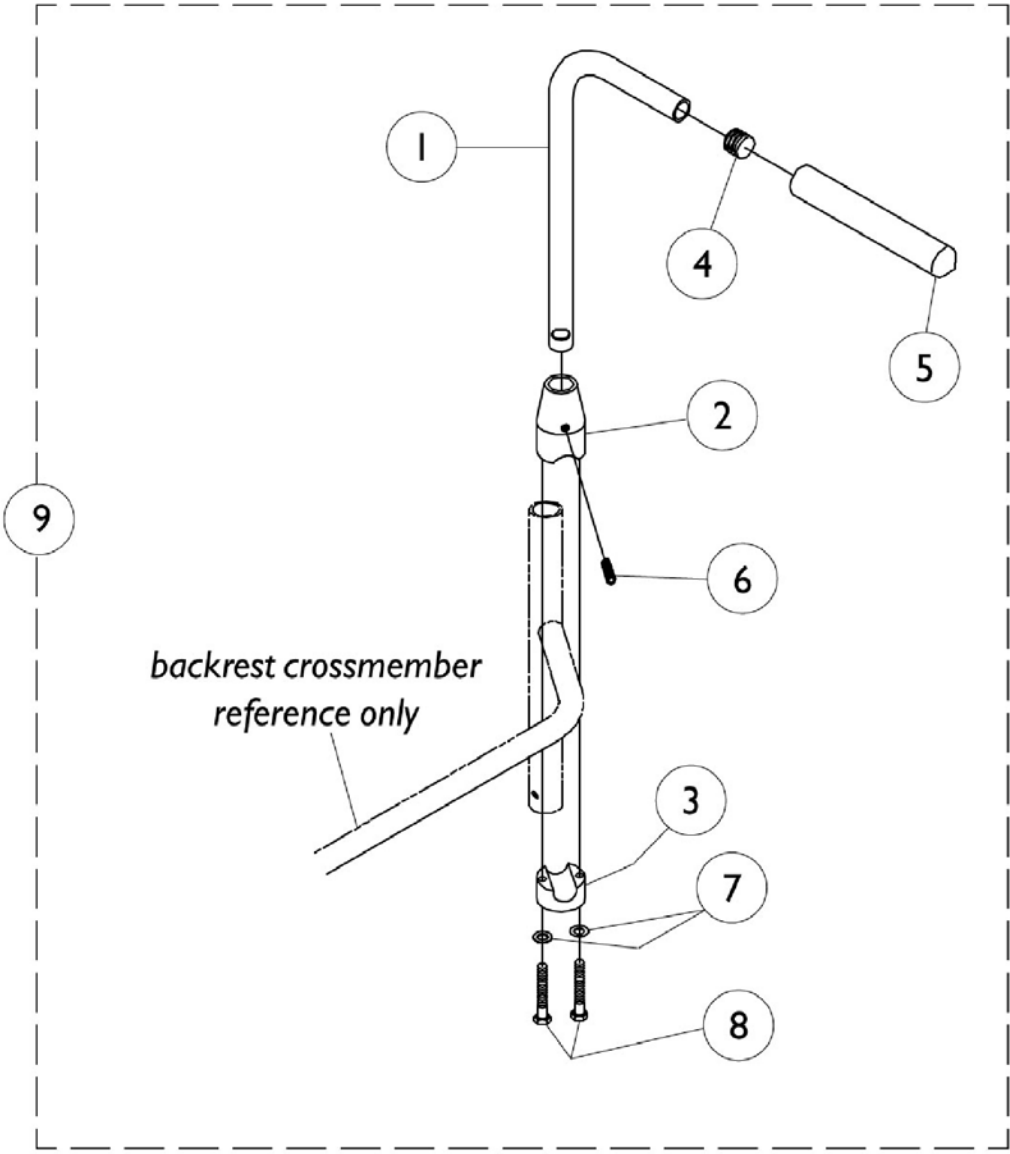
# Rigid Side Guards



## Rigid Side Guards

Item Number	Note	Part Number	Description	Quantity Per	
				Package	Assembly
1		1032249	Clamp, Half (Threaded)	1	1
2		1018692	Clamp, Half (Non-Threaded)	1	1
3		1013971	Washer, Nylon (1/4 x 7/16 x 5/64")	1	1
4		1003545	Screw, Socket Head (1/4-20 x 1-1/4")	1	1
5		1036346	Side Guard, Small w/o Quad Hole - Right (6-1/4" H x 11-1/4" D)	1	1
5		1036347	Side Guard, Small w/o Quad Hole - Left (6-1/4" H x 11-1/4" D)	1	1
5		1036407	Side Guard, Small w/ Quad Hole - Right (6-1/4" H x 11-1/4" D)	1	1
5		1036408	Side Guard, Small w/ Quad Hole - Left (6-1/4" H x 11-1/4" D)	1	1
5		1036344	Side Guard, Large w/o Quad Hole - Right (7-3/4" H x 12-3/8" D)	1	1
5		1036345	Side Guard, Large w/o Quad Hole - Left (7-3/4" H x 12-3/8" D)	1	1
5		1036405	Side Guard, Large w/ Quad Hole - Right (7-3/4" H x 12-3/8" D)	1	1
5		1036406	Side Guard, Large w/ Quad Hole - Left (7-3/4" H x 12-3/8" D)	1	1
	A,B	1036342	Kit, Side Guard Hardware	2	1
NOTE: A - Not Shown B - Consists of items 1-4					

# Bolt On Push Handles





## Bolt On Push Handles

Item Number	Note	Part Number	Description	Quantity Per	
				Package	Assembly
1		1032209	Push Handle -Right	1	1
1		1032210	Push Handle -Left	1	1
2		1032211	Clamp (Threaded)	1	1
3		1032212	Clamp (Non-Threaded)	1	1
4		1027097	Plug Button, Black (3/4")	1	1
5		1028431	Grip, Foam (Black) (5")	1	1
6		1032217	Screw, Socket Head (1/4-20 x 1")	1	1
7		1026907	Washer (1/4 x 1/2 x 1/16")	1	2
8		1025713	Screw, Hex Head (1/4-20 x 1")	1	2
9		1032213	Push Handle Assembly, Bolt On (1 Pair)	2	1

## Miscellaneous Accessories

Part Number	Description	Package Quantity
1093991	Anti-Tipper - 22" Rear Wheels	1
1100916	Anti-Tipper - 24" Rear Wheels	1
1109322	Back Pack (14-15" Wide) 11" W x 13" H x 4" D	1
1109323	Back Pack (16-20" Wide) 14" W x 12" H x 4" D	1
1046282	Basketball Roller - Adj. Angle Footboard	1
1029419	Basketball Roller - One Piece Tubular Footplate	1
1027644	Calf Strap - 14-15" Wide (26" Long)	1
1032243	Calf Strap - 16-20" Wide (36" Long)	1
1068210	Clamp with Hardware, 3/4" to 1"	1
1028452	Fabric Clothing Protector - 14-15" D Right	1
1028453	Fabric Clothing Protector - 14-15" D Left	1
1028454	Fabric Clothing Protector - 16-20" D Right	1
1028455	Fabric Clothing Protector - 16-20" D Left	1
1098505	Impact Guard 17-18" Front Seat to Floor	1
1098507	Impact Guard 19-20" Front Seat to Floor	1
1098509	Impact Guard 21" Front Seat to Floor	1
1004310	Positioning Strap Auto Style 14-19" W	1
1034625	Positioning Strap Auto Style 20" W	1
1034744	Positioning Strap Hook & Loop 14-19" Wide	1
1034745	Positioning Strap Hook & Loop 20" Wide	1
1109324	Seat Pouch 8-1/2" W x 7" H x 4" D	1
1032147	Spoke Guard 22" Spoke/Comp. Wheels	1
1028442	Spoke Guard -24" Composite Wheels	1
1028441	Spoke Guard -24" Spoke Wheel	1
1028443	Spoke Guard 25"/26" Spoke/Comp. Wheels	1

## Miscellaneous Accessories

Part Number	Description	Package Quantity
40176X010	Tire Pump	1
1038599	Wheel Lock Extensions, 6" (1 Pair)	2

**Invacare Corporation**

[www.invacare.com](http://www.invacare.com)



Yes, you can.™

One Invacare Way  
Elyria, Oh USA  
44036-2125  
800-333-6900

Technical Support  
800-832-4707  
Customer Service  
800-333-6900

Customer Service  
800-333-6900

©2007 Invacare Corporation. Elyria, Ohio.  
Invacare, Yes, you can., and the Medallion  
Design are registered trademarks of  
Invacare Corporation. KIK is a registered  
trademark of KIK Technology, Inc.  
(Revised 11/17/07)

Form No. 00-131