

9000 SERIES

9000 SL

9000 XT

9000 XDT

9000XT RECLINER

DEALER: THIS MANUAL MUST BE GIVEN TO THE USER OF THE WHEELCHAIR.

USER: BEFORE USING THIS WHEELCHAIR, READ THIS MANUAL AND SAVE FOR FUTURE REFERENCE.



Yes, you can.™

WARNING

DO NOT OPERATE THIS EQUIPMENT WITHOUT FIRST READING AND UNDERSTANDING THIS MANUAL. IF YOU ARE UNABLE TO UNDERSTAND THE WARNINGS, CAUTIONS, AND INSTRUCTIONS, CONTACT A HEALTHCARE PROFESSIONAL, DEALER OR A QUALIFIED TECHNICIAN BEFORE ATTEMPTING TO USE THIS EQUIPMENT - OTHERWISE INJURY OR DAMAGE MAY RESULT.

PROCEDURES OTHER THAN THOSE DESCRIBED IN THIS MANUAL MUST BE PERFORMED BY A QUALIFIED TECHNICIAN.

SAVE THESE INSTRUCTIONS

WARNING

TABLE OF CONTENTS

| | |
|---|-----------|
| SPECIAL NOTES | 5 |
| LABEL LOCATIONS | 6 |
| SPECIFICATIONS | 7 |
| SECTION 1 - GENERAL GUIDELINES | 9 |
| INFORMATION FOR HEALTHCARE PROFESSIONALS/ASSISTANTS | 9 |
| STABILITY - ALL MODELS | 10 |
| STABILITY - RECLINER MODELS ONLY | 11 |
| OPERATING INFORMATION | 11 |
| TIRE PRESSURE | 13 |
| WEIGHT TRAINING | 13 |
| WEIGHT LIMITATION | 13 |
| SAFETY/HANDLING OF WHEELCHAIRS | 14 |
| SECTION 2 - SAFETY INSPECTION | 21 |
| SAFETY INSPECTION CHECKLIST | 21 |
| TROUBLESHOOTING | 22 |
| MAINTENANCE | 22 |
| SECTION 3 - FRONT RIGGINGS | 24 |
| INSTALLING/REMOVING/USING THE FOOTREST/LEGREST | 24 |
| FOOTREST HEIGHT ADJUSTMENT | 25 |
| IMPACT GUARDS/CALF STRAP | 25 |
| HEEL LOOP REPLACEMENT | 26 |
| RAISING/LOWERING THE ELEVATING LEGREST ASSEMBLY | 27 |
| SECTION 4 - ARMS | 28 |
| ADJUSTING ARMREST HEIGHT | 28 |
| SWING-BACK ARMS | 28 |
| REPLACING DESK/FULL LENGTH ARMREST PAD AND/OR CLOTHING GUARDS (FIXED HEIGHT ARMS ONLY) | 29 |
| REMOVING OR REPLACING ARMREST | 29 |
| CONVERTING FROM SPACE SAVER TO CONVENTIONAL ARMS OR CONVENTIONAL TO SPACE SAVER ARMS (9000 XT/XDT WHEELCHAIRS) | 30 |
| SECTION 5 - SEAT AND BACK | 31 |
| REPLACING THE SEAT UPHOLSTERY | 31 |
| REPLACING THE BACK UPHOLSTERY | 32 |
| ADJUSTING THE BACK HEIGHT, BACK ANGLE OR SEAT DEPTH | 33 |
| ADJUSTING THE SEAT WIDTH | 33 |
| SECTION 6 - REAR WHEELS | 34 |
| REMOVING/INSTALLING THE REAR WHEELS | 34 |
| REPLACING REAR WHEEL HANDRIM | 36 |
| REPLACING/REPAIRING REAR WHEEL TIRE/TUBE | 36 |
| ADJUSTING THE QUICK-RELEASE AXLE | 37 |

| | |
|--|-----------|
| SECTION 7 - FRONT CASTERS | 38 |
| INSTALLING/REPLACING SIX OR EIGHT-INCH FRONT CASTERS AND FORKS | 38 |
| REPLACING/REPAIRING FRONT CASTER TIRE/TUBE | 39 |
| FRONT CASTER MOUNTING ADJUSTMENTS | 39 |
| SECTION 8 - ANTI-TIPPERS/WHEEL LOCKS | 40 |
| INSTALLING/ADJUSTING THE ANTI-TIPPERS | 40 |
| USING/ADJUSTING THE PATIENT OPERATED WHEEL LOCKS | 42 |
| SECTION 9 - RECLINER..... | 44 |
| RECLINER OPERATION | 44 |
| REPLACING THE HEADREST PILLOW | 46 |
| REPLACING THE HEADREST/BACK UPHOLSTERY | 46 |
| ADJUSTING HEADREST/BACK UPHOLSTERY TENSION | 47 |
| ADJUSTING THE SEAT DEPTH | 47 |
| ADJUSTING THE SEAT WIDTH | 47 |
| STORING/REPLACING THE SPREADER BAR..... | 48 |
| INSTALLING THE ANTI-TIPPERS | 49 |
| REMOVING/INSTALLING THE REAR WHEELS | 50 |
| USING/ADJUSTING THE WHEEL LOCKS | 51 |
| INSTALLING THE TELESCOPING I.V. ROD | 52 |
| SECTION 10 - OPTIONS | 54 |
| INSTALLING/CLEANING THE TELESCOPING I.V. ROD/O2 HOLDERS..... | 54 |
| INSTALLING THE CRUTCH AND CANE CARRIER | 55 |
| INSTALLING THE SOLID FOLDING SEAT | 55 |
| INSTALLING THE AMPUTEE BRACKET - SUPER HEMI MODELS ONLY | 56 |
| INSTALLING THE AMPUTEE BRACKET - ALL MODELS EXCEPT SUPER HEMI..... | 57 |
| LIMITED WARRANTY | 59 |

SPECIAL NOTES

WARNING/CAUTION notices as used in this manual apply to hazards or unsafe practices which could result in personal injury or property damage.

NOTICE

THE INFORMATION CONTAINED IN THIS DOCUMENT IS SUBJECT TO CHANGE WITHOUT NOTICE.

WHEELCHAIR USER

As a manufacturer of wheelchairs, Invacare endeavors to supply a wide variety of wheelchairs to meet many needs of the end user. However, final selection of the type of wheelchair to be used by an individual rests solely with the user and his/her healthcare professional capable of making such a selection.

WHEELCHAIR TIE-DOWN RESTRAINTS AND SEAT RESTRAINTS

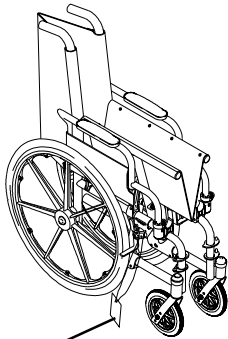
Wheelchair users should **NOT** be transported in vehicles of any kind while in wheelchairs. As of this date, the Department of Transportation has not approved any tie-down systems for transportation of a user while in a wheelchair, in a moving vehicle of any type.

It is Invacare's position that users of wheelchairs should be transferred into appropriate seating in vehicles for transportation and use be made of the restraints made available by the auto industry. Invacare cannot and does not recommend any wheelchair transportation systems.

AS REGARDS RESTRAINTS - SEAT POSITIONING STRAPS - IT IS THE OBLIGATION OF THE DME DEALER, THERAPISTS AND OTHER HEALTHCARE PROFESSIONALS TO DETERMINE IF A SEATING RESTRAINT IS REQUIRED TO ENSURE THE SAFE OPERATION OF THIS EQUIPMENT BY THE USER. SERIOUS INJURY CAN OCCUR IN THE EVENT OF A FALL FROM A WHEELCHAIR.

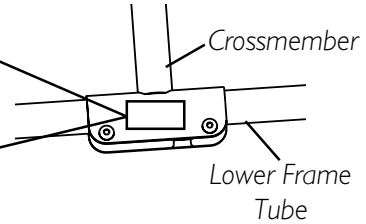
LABEL LOCATIONS

LABEL LOCATIONS



WEIGHT CAPACITY
250 LBS. (114 kgs.)
 REFER TO OWNER'S MANUAL
P/N 1111013

9000 XDT ONLY
WEIGHT CAPACITY
350 LBS. (159 kgs.)
 REFER TO OWNER'S MANUAL
P/N 1111017



IMPORTANT NOTICE

The wheel locks on this wheelchair have been pre-set at the factory to comply with the Veterans Administration functional Standard 8320.01 of the Federal Register, paragraph 3.2.4.5.3. If these wheel locks do not meet your needs, follow instructions below.

⚠ CAUTION

Any wheel lock adjustments should embed wheel lock shoe at least 1/8" into tire when locked (3/16" on pneumatic tires).

INSTRUCTIONS FOR WHEEL LOCK ADJUSTMENTS

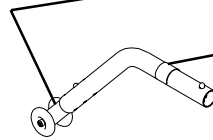
1. Loosen wheel lock mounting fastener, which runs through mounting bracket and frame.
2. Slide clamp toward rear wheel until wheel lock shoe is embedded into tire material at least 1/8" when handle is engaged to the lock position (3/16" for pneumatic tires).
3. Tighten mounting fastener to secure mounting bracket in desired location and recheck lock shoe embedding.
4. Inspect for correct locking action **BEFORE** actual use.

00078X021-0394

NOTE: On all anti-tippers EXCEPT non-adjustable anti-tippers.

⚠ WARNING

Refer to Owner's Manual for proper anti-tipper setting. 1085379



⚠ WARNING

DO NOT OPERATE WITHOUT THE ANTI-TIP TUBES INSTALLED. P/N 60106X144

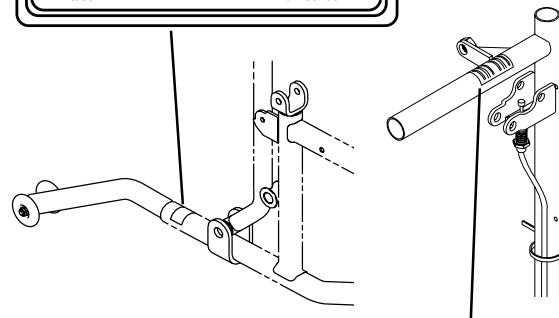
REV. 5/98

9000 XT RECLINER MODELS ONLY

⚠ WARNING

DO NOT OPERATE WITHOUT THE ANTI-TIP TUBES INSTALLED. P/N 60106X144

REV. 5/98



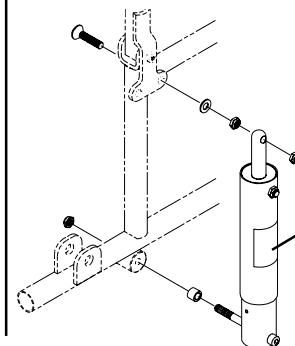
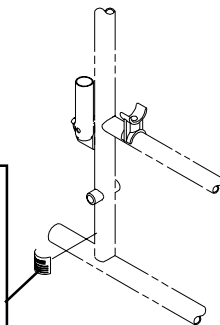
CAUTION

DO NOT recline without occupant. When the chair is not occupied the back will raise abruptly. Keep clear of the chair back when raising or lowering to avoid injury. 1023096

MODELS WITH QUICK-RELEASE AXLES ONLY

WARNING

DETENT BALLS MUST BE SECURELY SEATED IN RECESSED AREAS OF AXLE BUSHINGS. ENSURE THAT PLUNGER PIN IN HEAD END OF AXLE IS FULLY RELEASED. KEEP DETENT BALLS CLEAN. 1001948



CAUTION

SERVICE OF SPRING LIFT MECHANISM TO BE PERFORMED BY PROPERLY TRAINED AUTHORIZED SERVICE PERSONNEL ONLY. 1022642

SPECIFICATIONS

SPECIFICATIONS

| | 9000 SL | 9000 XT |
|---|---|---|
| Overall Width: | 23 or 25-inches | 21, 22, 23, 25, 27, or 29-inches |
| Overall Depth: (With Front Riggings) | 43-1/2-inches | |
| Seat Width: | 16, 18 or 20-inches | 14, 15, 16, 18, 20 or 22-inches |
| Seat Depth: | 16 or 18-inches | 16, 17, and 18-inches |
| SEAT-TO-FLOOR** (By Frame Style) | | |
| Tall/Adult: | N/A | |
| Adult/Hemi: | 15-1/2 to 19-1/2-inches in 1-inch increments | |
| Super Hemi: | N/A | 13-1/2 and 14-1/2-inches |
| Back Style: | Sectional - 1-inch increments | Adjustable* - 1-inch increments Adjustable Angle - 85° to 110° in 5° increments |
| Back Height: | 15 to 19-inches in 1-inch increments | |
| Arm Styles: | Swing Back* Space Saver, Desk* or Full Length in Fixed* or Adjustable Height | Swing Back Removable, Space Saver* or Conventional in Desk* or Full Length and in Fixed* or Adjustable Height |
| Front Riggings: | Swingaway Footrests and Elevating Legrests | |
| Rear Axle: | Permanent* and Quick-Release | |
| Rear Wheels: | 20, 22 and 24*-inch Composite*; Urethane*, Pneumatic or Pneumatic-Flat Free Insert | |
| Handrims: | Composite* and Aluminum, Steel | Composite*, Aluminum, Steel and Plastic Coated |
| Wheel Locks: | Toggle Lock - Push or Pull | |
| Caster Size: | 6 x 1-inch Urethane, 8x1-1/4-inch* Urethane, 8x1-inch Solid Rubber and 8x1-1/4-inch Pneumatic or Pneumatic-Flat Free Insert | 6 x 1-inch Urethane, 8x1-1/4-inch* Urethane, 8x1-inch Solid Rubber and 8x1-1/4-inch Pneumatic or Pneumatic-Flat Free Insert, 8x1-3/4-inch Semi Pneumatic |
| Upholstery: | Black Nylon*, Black Vinyl | Black Nylon*, Black Sail Cloth, Heavy Vinyl |
| Frame Colors: | Chrome* and Colors | Chrome* and Colors |
| Weight (18 x 16-inch seat): | 33-1/2 pounds | 31 pounds |
| Shipping Weight (approx.): 16x16-inch Seat Frame with complete package | 43 pounds | 41-1/2 pounds |

* NOTE: These options are standard for this model.

** NOTE: The seat-to-floor heights are based on urethane tires. If wheelchair is equipped with pneumatic (properly inflated) or solid rubber tires, add 1/4-inch to the measurements listed above. These heights can vary +/- 1/4-inch due to tire wear and manufacturing tolerances.

SPECIFICATIONS

SPECIFICATIONS

| | 9000 XT RECLINER | 9000 XDT |
|--|--|---|
| Overall Width: | 23, 25, 27, 28, 29 or 31-inches | 23, 25, 27, or 29-inches |
| Overall Depth: (With Front Riggings) | 46-inches | 45-1/2-inches |
| Seat Width: | 14, 16, 18, 19, 20 or 22-inches | 16, 18, 20 or 22-inches |
| Seat Depth: | 16, 17 and 18-inches | 16, 17, 18, 19 and 20-inches |
| SEAT-TO-FLOOR** (By Frame Style) | | |
| Tall/Adult: | 17-1/2 to 19-1/2-inches in 1-inch increments | 17-1/2, 19-1/2 and 21-1/2-inches |
| Adult/Hemi: | N/A | |
| Super Hemi: | N/A | |
| Back Style: | Reclining | Adjustable - 1-inch increments |
| Back Height: | 23 or 34-inches | 15 to 19-inches in 1-inch increments |
| Arm Styles: | Conventional Desk* or Full Length and in Fixed* or Adjustable Height | Swing Back or Removable, Space Saver* or Conventional, Desk* or Full Length and in Fixed* or Adjustable Height |
| Front Riggings: | Swingaway Footrests and Elevating Legrests | |
| Rear Axle: | Permanent | |
| Rear Wheels: | 20, 22 and 24*-inch Composite*, Urethane*, Pneumatic or Pneumatic-Flat Free Insert | 24*-inch Composite*, Urethane*, Pneumatic or Pneumatic-Flat Free Insert |
| Handrims: | Composite*, Aluminum, Steel and Plastic Coated | Steel*, Aluminum and Plastic Coated |
| Wheel Locks: | Toggle Lock - Push or Pull | |
| Caster Size: | 8x1-1/4-inch* Urethane, 8x1-inch Solid Rubber and 8x1-1/4-inch Pneumatic or Pneumatic-Flat Free Insert 8x1-3/4-inch Semi Pneumatic | |
| Upholstery: | Heavy Vinyl, Light Vinyl, Nylon, Sail Cloth | Black Nylon, Black Sail Cloth Heavy Vinyl |
| Frame Colors: | Chrome and Colors | |
| Weight: | 50-1/2 pounds | 36-1/2 pounds |
| Shipping Weight (approx.): | 60-1/2 pounds 18x17-inch Seat Frame with complete package | 46-1/2 pounds 16x16-inch Seat Frame with complete package |

* NOTE: These options are standard for this model.

** NOTE: The seat-to-floor heights are based on pneumatic tires and pneumatic tires with flat free inserts. If wheelchair is equipped with urethane tires, subtract 1/4-inch from the measurements listed above. All heights are measured with properly inflated new tires. These heights can vary ±1/4-inch due to tire wear.

Section I - General Guidelines includes the following:

Information for Healthcare Professionals/Assistants

Stability - All Models

Stability - Recliner Option ONLY

Operating Information

Tire Pressure

Weight Training

Weight Limitation

Safety/Handling of Wheelchairs

INFORMATION FOR HEALTHCARE PROFESSIONALS/ ASSISTANTS

WARNING

Make sure the patient is properly positioned in the wheelchair before reclining or inclining (reverse recline) to maintain maximum stability and safety. (Refer to SAFETY/HANDLING OF WHEELCHAIRS in this section of the manual.

Make sure occupant's hands and body are clear of all pinch points before reclining back. Pinch Points exist between spreader bar and recliner mechanism. Use caution, otherwise injury may occur.

ALWAYS engage both wheel locks while reclining or inclining (reverse recline) the wheelchair.

When returning the occupant of the reclining back wheelchair to the full upright position, more body strength will be required for approximately the last twenty (20) degrees of incline (reverse recline). Make sure to use proper body mechanics (use your legs) or seek assistance if necessary to avoid injury.

DO NOT attempt to recline or incline the wheelchair back without occupant. Back will raise **ABRUPTLY and cause injury. Keep clear when reclining or inclining chair back to avoid injury.**

STABILITY - ALL MODELS**WARNING**

The seat depth, back height/angle, seat angle, size/position of the front casters, size/position of the rear wheels, anti-tipper model, as well as the user condition directly relate to the stability of the wheelchair. Any change to one (1) or any combination of the ten (10) may cause the wheelchair to decrease in stability. These adjustments **MUST** be performed by a qualified technician.

| | Seat Depth | Back Height | Back Angle | Seat Angle | Caster Size | Caster Position | Wheel Size | Wheel Position | Anti-Tippers (front and rear) | User Condition |
|------------------------|------------|-------------|------------|------------|-------------|-----------------|------------|----------------|----------------------------------|----------------|
| Seat Depth | • | N/A | N/A | N/A | ✓ | ✓ | N/A | N/A | ✓ | ✓ |
| Back Height | N/A | • | N/A | N/A | N/A | N/A | N/A | N/A | N/A | ✓ |
| Back Angle | N/A | N/A | • | N/A | N/A | N/A | N/A | ✓ | ✓ | ✓ |
| Seat Angle | N/A | N/A | N/A | • | ✓ | ✓ | ✓ | ✓ | ✓ | ✓ |
| Caster Size | N/A | N/A | N/A | ✓ | • | ✓ | ✓ | ✓ | ✓ | ✓ |
| Caster Position | N/A | N/A | N/A | ✓ | ✓ | • | ✓ | ✓ | ✓ | ✓ |
| Wheel Size | N/A | N/A | N/A | ✓ | ✓ | ✓ | • | ✓ | ✓ | ✓ |
| Wheel Position | N/A | N/A | N/A | ✓ | ✓ | ✓ | ✓ | • | ✓ | ✓ |
| User Condition | ✓ | ✓ | ✓ | ✓ | ✓ | ✓ | ✓ | ✓ | ✓ | • |

NOTE: When changes to the left hand column occur, follow across the chart and refer to the ✓ procedure to maintain the proper stability, safety and handling of the wheelchair.

The various seat-to-floor heights require specific settings depending on rear wheel size, rear wheel position, front caster size/position and desired seat-to-floor angle. These adjustments **MUST** be performed by a qualified technician.

ANTI-TIPPERS

Anti-tippers are specific to the different seat-to-floor angles and/or seat-to-floor heights. Refer to the chart in **INSTALLING/ADJUSTING THE ANTI-TIPPERS** in SECTION 8 of this manual for correct usage and adjustment. If these requirements **CANNOT** be achieved, **DO NOT** use the wheelchair. Contact a qualified technician. If changing the seat-to-floor height with or without a change to seat-to-floor angle, the correct anti-tippers **MUST** be used to maintain a 1-1/2 to 2-inch ground clearance.

Seat-to-floor angle of 0° or 3°: If so equipped, anti-tippers **MUST** be attached at all times. Inasmuch as the anti-tippers are an option for 0° or 3° on this wheelchair (you may order with or without the anti-tippers), Invacare strongly recommends ordering the anti-tippers as a safeguard for the wheelchair user.

WARNING (CONTINUED)**ANTI-TIPPERS (CONTINUED)**

Seat-to-floor angle of 6°: If changing the seat-to-floor angle to 6° , anti-tippers **MUST** be installed.

STABILITY - RECLINER MODELS ONLY**WARNING**

Anti-tippers **MUST** be installed. **DO NOT** operate without anti-tippers.

ALWAYS make sure that the wheelchair is stable **BEFORE** using the recliner option.

Ensure the spreader bar is attached and secured before using the 9000XT Recliner.

Always return the back to the upright position before lifting the wheelchair.

LIFT KIT MODELS ONLY - Both spring lift mechanisms **MUST** be operational **BEFORE** using the recliner. **DO NOT** operate the recliner option if only one (1) of the spring lift mechanisms is operational.

LIFT KIT MODELS ONLY - **DO NOT** attempt to recline or incline the wheelchair back without occupant. Back will raise **ABRUPTLY** and cause injury. Keep clear when reclining or inclining chair back to avoid injury.

OPERATING INFORMATION**WARNING**

Unless otherwise noted, all service and adjustment should be performed while the wheelchair is unoccupied.

To determine and establish your particular safety limits, practice bending, reaching and transferring activities in several combinations in the presence of a qualified healthcare professional **BEFORE** attempting active use of the wheelchair.

ALWAYS wear your Seat Positioning Strap. Inasmuch as the **SEAT POSITIONING STRAP** is an option on this wheelchair (You may order with or without the Seat Positioning Strap), Invacare strongly recommends ordering the Seat Positioning Strap as an additional safeguard for the wheelchair user.

Always verify that hand grips on the rear cane are secure **PRIOR** to use when an assistant is used to propel or lift the chair. Check for any signs of looseness or deterioration and if found, contact a qualified technician. **DO NOT** attempt to move the wheelchair by using the hand grips if they are found to be unsecure or have deteriorated.

When cleaning rear cane or hand grip areas use only a clean towel lightly dampened with cool water. Verify that grips are dry prior to use. Use of soap or ammonia based cleaning solutions will result in the hand grips sliding off the cane assembly. Failure to observe this warning may result in injury to the user or bystanders.

DO NOT sit or transfer into the wheelchair unless it is fully open and the seat frame rails are fully seated into the side frame H-blocks.

WARNING (CONTINUED)

DO NOT TRAVERSE, CLIMB or GO DOWN ramps or slopes greater than 9°.

DO NOT attempt to move up or down an incline with a water, ice or oil film.

DO NOT operate on roads, streets or highways.

DO NOT attempt to ride over curbs or obstacles. Doing so may cause your wheelchair to tip over and cause bodily harm to you or damage to the wheelchair.

DO NOT attempt to reach objects if you have to move forward in the seat.

DO NOT attempt to reach objects if you have to pick them up from the floor by reaching down between your knees.

DO NOT lean over the top of the back upholstery. This will change your center of gravity and may cause you to tip over.

DO NOT shift your weight or sitting position toward direction you are reaching as the wheelchair may tip over.

WHEEL LOCKS ARE NOT BRAKES. DO NOT attempt to stop a moving wheelchair with the wheel locks.

DO NOT tip the wheelchair without assistance.

DO NOT use an escalator to move a wheelchair between floors. Serious bodily injury may occur.

Before attempting to transfer in or out of the wheelchair, every precaution should be taken to reduce the gap distance. Turn both casters parallel to the object you are transferring onto. When transferring to and from the wheelchair, **ALWAYS ENGAGE BOTH WHEEL LOCKS.**

DO NOT use parts, accessories, or adapters other than those authorized by Invacare.

DO NOT attempt to lift the wheelchair by any removable (detachable) parts. Lifting by means of any removable (detachable) parts of a wheelchair may result in injury to the user and/or assistant or damage to the wheelchair.

9000 XT RECLINER ONLY - DO NOT use the spreader bar to lift the wheelchair. Refer to **STORING/REPLACING THE SPREADER BAR** in SECTION 9 of this manual.

DO NOT stand on the frame of the wheelchair.

DO NOT use the footplate as a platform. When getting in or out of the wheelchair, make sure that the footplates are in the upward position.

NEVER use quick-release axles on the 9000 XT (models with offset axle option ONLY), 9000XDT or 9000XT RECLINER wheelchairs.

ALWAYS use the handrims for self-propulsion. Inasmuch as the **HANDRIMS** are an option on this wheelchair (you may order with or without the handrims), Invacare strongly recommends ordering the handrims as an additional safeguard for the wheelchair user.

TIRE PRESSURE

WARNING

DO NOT use your wheelchair unless it has the proper tire pressure (p.s.i.). **DO NOT** overinflate the tires. Failure to follow these suggestions may cause the tire to explode and cause bodily harm. The recommended tire pressure is listed on the side wall of the tire.

Replacement of a pneumatic tire or tube **MUST** be performed by a qualified technician.

WEIGHT TRAINING

WARNING

Invacare **DOES NOT** recommend the use of its wheelchairs as a weight training apparatus. Invacare wheelchairs have **NOT** been designed or tested as a seat for any kind of weight training. If occupant uses said wheelchair as a weight training apparatus, Invacare shall **NOT** be liable for bodily injury or damage to the wheelchair and the warranty is void.

WEIGHT LIMITATION

WARNING

The 9000 SL, 9000 XT, and 9000XT Recliner wheelchairs have a weight limitation of 250 lbs. (114 kg.). The 9000XDT wheelchair has a weight limitation of 350 lbs. (159 kg.).

SAFETY/HANDLING OF WHEELCHAIRS

“Safety and Handling” of the wheelchair requires the close attention of the wheelchair user as well as the assistant. This manual points out the most common procedures and techniques involved in the safe operation and maintenance of the wheelchair. It is important to practice and master these safe techniques until you are comfortable in maneuvering around the frequently encountered architectural barriers.

Use this information only as a “basic” guide. The techniques that are discussed on the following pages have been used successfully by many.

Individual wheelchair users often develop skills to deal with daily living activities that may differ from those described in this manual. Invacare recognizes and encourages each individual to try what works best for him/her in overcoming architectural obstacles that they may encounter. However, ALL WARNINGS and CAUTIONS given in this manual MUST be heeded. Techniques in this manual are a starting point for the new wheelchair user and assistant with “safety” as the most important consideration for all.

STABILITY AND BALANCE

WARNING

ALWAYS wear your seat/chest positioning strap. Inasmuch as the SEAT/CHEST POSITIONING STRAP is an option on this wheelchair (You may order with or without the Seat/Chest Positioning Strap), Invacare strongly recommends ordering the Seat/Chest Positioning Strap as an additional safeguard for the wheelchair user.

To assure stability and proper operation of your wheelchair, you must at all times maintain proper balance. Your wheelchair has been designed to remain upright and stable during normal daily activities as long as you do not move beyond the center of gravity.

Virtually all activities which involve movement in the wheelchair have an effect on the center of gravity. Invacare recommends using seat/chest positioning straps for additional safety while involved in activities that shift your weight.

DO NOT lean forward out of the wheelchair any further than the length of the armrests. Make sure the casters are pointing in the forward position whenever you lean forward. This can be achieved by advancing the wheelchair and then reversing it in a straight line.

COPING WITH EVERYDAY OBSTACLES

Coping with the irritation of everyday obstacles can be alleviated somewhat by learning how to manage your wheelchair. Keep in mind your center of gravity to maintain stability and balance.

A NOTE TO WHEELCHAIR ASSISTANTS

When assistance to the wheelchair user is required, remember to use good body mechanics. Keep your back straight and bend your knees whenever tipping the wheelchair or traversing curbs, or other impediments.

WARNING

DO NOT attempt to lift the wheelchair by any removable (detachable) parts. Lifting by means of any removable (detachable) parts of a wheelchair may result in injury to the user or damage to the wheelchair.

Always verify that hand grips on the rear cane are secure **PRIOR** to use when an assistant is used to propel or lift the chair. Check for any signs of looseness or deterioration and if found, contact a qualified technician. **DO NOT** attempt to move the wheelchair by pulling on the hand grips if they are found to be unsecure or have deteriorated.

9000 XT RECLINER ONLY - DO NOT use the spreader bar to lift the wheelchair.

Also, be aware of detachable parts such as the spreader bar (9000 XT RECLINER ONLY), armrests or legrests. These must **NEVER** be used to move the wheelchair or as lifting supports, as they may be inadvertently released, resulting in possible injury to the user and/or assistant(s).

When learning a new assistance technique, have an experienced assistant help you before attempting it alone.

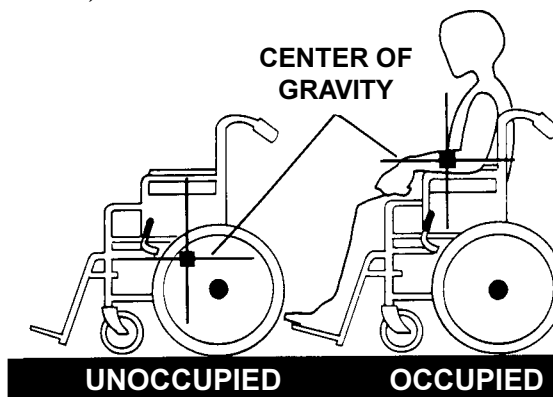
PERCENTAGE OF WEIGHT DISTRIBUTION**WARNING**

DO NOT attempt to reach objects if you have to move forward in the seat or pick them up from the floor by reaching down between your knees.

The seat depth, back height/angle, seat angle, size/position of the front casters, size/position of the rear wheels, anti-tipper model, as well as the user condition directly relate to the stability of the wheelchair. Any change to one (1) or any combination of the ten (10) may cause the wheelchair to decrease in stability. These adjustments **MUST** be performed by a qualified technician.

Many activities require the wheelchair owner to reach, bend and transfer in and out of the wheelchair. These movements will cause a change to the normal balance, the center of gravity, and the weight distribution of the wheelchair. To determine and establish your particular safety limits, practice bending, reaching and transferring activities in several combinations in the presence of a qualified healthcare professional **BEFORE** attempting active use of the wheelchair.

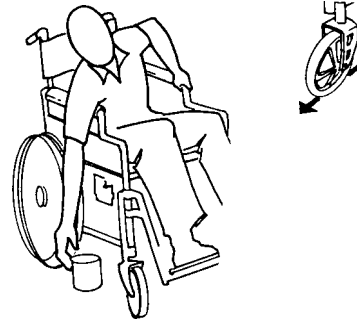
Proper positioning is essential for your safety. When reaching, leaning, or bending forward, it is important to use the front casters as a tool to maintain stability and balance.



REACHING, LEANING AND BENDING - FORWARD**WARNING**

DO NOT attempt to reach objects if you have to move forward in the seat or pick them up from the floor by reaching down between your knees.

Position the front casters so that they are extended as far forward as possible and engage wheel locks.

**REACHING, LEANING - BACKWARDS****WARNING**

DO NOT lean over the top of the back upholstery. This will change your center of gravity and may cause you to tip over.

Position wheelchair as close as possible to the desired object. Point front casters forward to create the longest possible wheelbase. Reach back only as far as your arm will extend without changing your sitting position.

**TIPPING****WARNING**

DO NOT tip the wheelchair without assistance.

When tipping the wheelchair, an assistant should grasp the back of the wheelchair on a non-removable (non-detachable) part. Inform the wheelchair occupant before tipping the wheelchair and remind him/her to lean back. Be sure the occupant's feet and hands are clear of all wheels and/or pinch points.

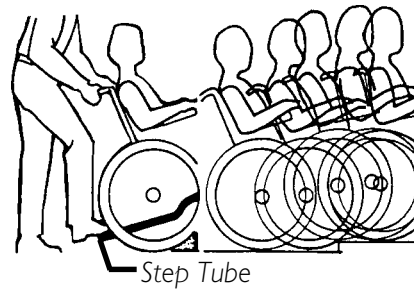
After mastering the techniques of tipping the wheelchair, use one (1) of the following methods to tackle curbs, short stairs, etc.

Tippling - Curbs: Method 1 - Wheelchair With Step Tubes.

Place foot on the step tube and begin to tilt the wheelchair toward you. Apply a continuous downward motion until the balance point is achieved and the front casters clear the curb. At this point, the assistant will feel a difference in the weight distribution.

WARNING

When lowering the front casters of the wheelchair, DO NOT let the wheelchair drop the last few inches to the ground. This could result in injury to the occupant and/or damage to the wheelchair.



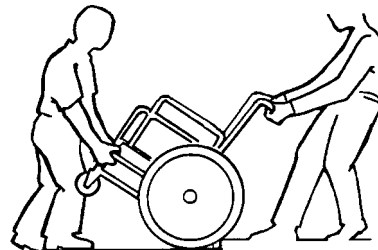
METHOD 1 - WHEELCHAIR WITH STEP TUBES

Roll the wheelchair forward and slowly lower the front of the wheelchair in one continuous movement onto the sidewalk. Do not let the wheelchair drop the last few inches to the ground. This could result in injury to the occupant. Push the wheelchair forward until the rear wheels roll up and over the curb.

Tippling - Curbs: Method 2 - Wheelchair Without Step Tubes.**WARNING**

Always verify that hand grips on the rear cane are secure PRIOR to use when an assistant is used to propel or lift the chair. Check for any signs of looseness or deterioration and if found, contact a qualified technician. DO NOT attempt to move the wheelchair by pulling on the hand grips if they are found to be unsecure or have deteriorated.

This method requires two (2) assistants. The second assistant should be positioned at the front of the wheelchair lifting upward on a non-removable (non-detachable) part of the wheelchair frame when lifting the wheelchair and stabilizing the wheelchair when the wheelchair is being lowered to the ground.



METHOD 2 - WHEELCHAIR WITHOUT STEP TUBE

The first assistant should stand on the sidewalk and turn the wheelchair so that the rear wheels are against the curb. Turn the anti-tippers so the anti-tip wheels are pointing up. The wheelchair should be tilted back to the balance point and, in one continuous upward movement, the rear wheels should be pulled up and over the curb. **DO NOT** return the front casters to the ground until the wheelchair has been pulled backward far enough for the front casters to clear the edge of the curb.

WARNING

When lowering the front casters of the wheelchair, DO NOT let the wheelchair drop the last few inches to the ground. This could result in injury to the occupant and/or damage to the wheelchair.

Roll the wheelchair backward and **SLOWLY** lower the wheelchair in one continuous movement. Turn the anti-tippers so the anti-tip wheels are facing down.

STAIRWAYS**WARNING**

ALWAYS wear your seat/chest positioning strap. Inasmuch as the **SEAT/CHEST POSITIONING STRAP** is an option on this wheelchair (You may order with or without the Seat/Chest Positioning Strap), Invacare strongly recommends ordering the **Seat/Chest Positioning Strap** as an additional safeguard for the wheelchair user.

DO NOT attempt to lift a wheelchair by lifting on any removable (detachable) parts. Lifting by means of any removable (detachable) parts of a wheelchair may result in injury to the user or damage to the wheelchair.

Always verify that hand grips on the rear cane are secure **PRIOR** to use when an assistant is used to propel or lift the chair. Check for any signs of looseness or deterioration and if found, contact a qualified technician. **DO NOT** attempt to move the wheelchair by pulling on the hand grips if they are found to be unsecure or have deteriorated.

EXTREME CAUTION is advised when it is necessary to move an occupied wheelchair up or down the stairs. Invacare recommends that, if possible, the user be removed from the wheelchair prior to moving. Invacare recommends using two (2) assistants and making thorough preparations. Make sure to use **ONLY** secure, non-detachable parts for hand-held supports.

9000 XT RECLINER ONLY - ALWAYS return the back to the upright position before lifting the wheelchair.

Follow this procedure for moving the wheelchair between floors when an elevator is **NOT** available:

1. If necessary, rotate the anti-tippers so the wheels are facing up.
2. After the wheelchair has been tilted back to the balance point, one assistant (in the rear) backs the wheelchair up against the first step, while securely grasping a non-removable (non-detachable) part of the wheelchair for leverage.
3. The second assistant, with a firm hold on a non-detachable part of the framework, lifts the wheelchair up and over the stair and steadies the wheelchair as the first assistant places one (1) foot on the next stair and repeats STEP 1.
4. The wheelchair should not be lowered until the last stair has been negotiated and the wheelchair has been rolled away from the stairway.
5. If necessary, rotate the anti-tippers so the wheels are facing down.

ESCALATORS? SORRY!

DO NOT use an escalator to move a wheelchair between floors. Serious bodily injury may occur.

TRANSFERRING TO AND FROM OTHER SEATS**WARNING**

BEFORE attempting to transfer in or out of the wheelchair, every precaution should be taken to reduce the gap distance. Turn both casters parallel to the object you are transferring onto. Also be certain the wheel locks are engaged to help prevent the wheels from moving.

**CAUTION**

When transferring, position yourself as far back as possible in the seat. This will help prevent damaged upholstery and the possibility of the wheelchair tipping forward.

NOTE: This activity may be performed independently provided you have adequate mobility and upper body strength.

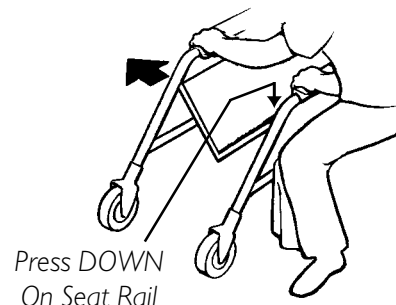
Position the wheelchair as close as possible along side the seat to which you are transferring, with the front casters pointing parallel to it. Remove or flip up the armrest. Engage wheel locks. Shift body weight into seat with transfer.

During independent transfer, little or no seat platform will be beneath you. Use a transfer board if at all possible.

UNFOLDING AND FOLDING THE WHEELCHAIR**WARNING**

Keep hands and fingers clear of moving parts to avoid injury.

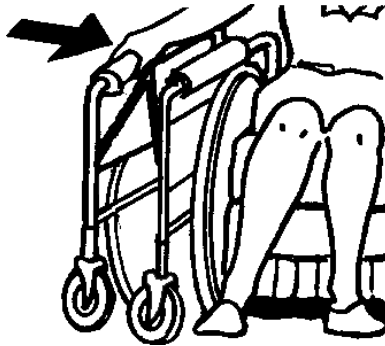
DO NOT sit or transfer into the wheelchair unless it is fully open and the seat frame rails are fully seated into the side frame H-blocks.

**Unfolding.**

1. Open the wheelchair by grasping the armrest of the wheelchair closest to you.
2. Tilt the wheelchair towards you (raising the opposite wheel and caster off the ground/floor).
3. Push downward on the TOP of the seat rail closest to you where the seat upholstery is attached until the wheelchair is fully open.
4. **9000 XT RECLINERS ONLY** - Secure the detached end of the spreader bar to the side frame. Refer to STORING/REPLACING THE SPREADER BAR in SECTION 9 of this manual.
5. Engage both wheel locks, open the footrest/legrest for clearance and transfer into the wheelchair. Refer to TRANSFERRING TO AND FROM OTHER SEATS in this section of the manual.

Folding "Hammock or Sling Seat" Models.

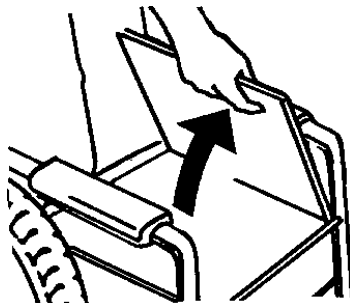
1. **9000 XT RECLINERS ONLY** - Detach one end of the spreader bar from the side frame. Refer to STORING/REPLACING THE SPREADER BAR in SECTION 9 of this manual.
2. Swing footrest/legrest in locked position to the front of the wheelchair.
3. Pivot footplates upward to vertical position.
4. With both hands, grasp the middle of the seat upholstery at the front and back edge and lift up.
5. Continue to close the wheelchair by grasping the armrest furthest from you and pulling the armrest towards you.



**"HAMMOCK OR SLING SEAT"
MODELS**

Folding Solid-Seat Models.

1. From behind the wheelchair, grasp the right hand edge of the solid seat.
2. Remove the footrests/legrests from the wheelchair.
3. Raise the seat to the hinged side.
4. With both hands, grasp the middle of the seat upholstery at the front and back edge and lift up.
5. Continue to close the wheelchair by grasping the armrest furthest from you and pulling the armrest towards you.



SOLID-SEAT MODELS

Section 2 - Safety Inspection includes the following:**Safety Inspection Checklist****Troubleshooting****Maintenance**

NOTE: Twice a year take your wheelchair to a qualified technician for a thorough inspection and servicing. Regular cleaning will reveal loose or worn parts and enhance the smooth operation of your wheelchair. To operate properly and safely, your wheelchair must be cared for just like any other vehicle. Routine maintenance will extend the life and efficiency of your wheelchair.

SAFETY INSPECTION CHECKLIST

Initial adjustments should be made to suit your personal body structure needs and preference. Thereafter follow these maintenance procedures:

| ITEM | Initially | Weekly | Monthly | Periodically |
|---|------------------|--------|---------|--------------|
| GENERAL • Wheelchair rolls straight (no excessive drag or pull to one side). | X | | X | |
| FRAME AND CROSSBRACES • Inspect for loose or missing hardware. • Inspect for bent frame or crossbraces. | X X | | | X X |
| WHEEL LOCKS • Do not interfere with tires when rolling. • Pivot points free of wear and looseness. • Wheel locks easy to engage. • Wheel locks prevent chair from moving when engaged. | X X X X | X | X X | X |
| SEAT AND BACK • Inspect for rips or sagging. • Inspect for loose or broken hardware. • Inspect cane hand grips for wear/looseness/deterioration. | X X X | | X X | X |
| TIRES • Inspect for flat spots, cracks and wear. • If pneumatic tires check for proper inflation. CAUTION: As with any vehicle, the wheels and tires should be checked periodically for cracks and wear, and should be replaced. | X X | X X | | |
| REAR WHEELS • If equipped, quick-release axles lock properly. Lubricate if necessary. • No excessive side movement or binding when lifted and spun. • Inspect for cracked, bent or broken spokes. | X X X | X X | | X |
| HANDRIMS • Inspect for signs of rough edges or peeling. | X | | | X |
| FRONT CASTERS/FORKS • Inspect axle assembly for proper tension by spinning caster; caster should come to a gradual stop. • Adjust bearing system if wheel wobbles noticeably or binds to a stop. Ensure wheel bearings are clean and free of moisture. • Check headtube locknuts for tightness. • Inspect casters for cracks and wear. • Inspect for cracked, bent or broken spokes. CAUTION: As with any vehicle, the wheels and tires should be checked periodically for cracks and wear, and should be replaced. | X X X X | X X | X X | X X |
| CLEANING • Clean upholstery and armrests. | X | | | X |

TROUBLESHOOTING

| Chair Veers Right/Left | Chair 3 Wheels | Sluggish Turn or Performance | Caster Flutter | Squeaks and Rattles | Looseness in Chair | SOLUTIONS |
|------------------------------|----------------------|------------------------------------|-------------------|---------------------------|-----------------------|--|
| X | X | X | X | | | Check tires for correct and equal pressure. |
| | | X | X | X | X | Check for loose nuts and bolts. |
| X | X | | X | | | Check caster headtube angle. |
| X | X | | | | | Check that rear wheels are equally spaced away from seat frame |

MAINTENANCE**MAINTENANCE SAFETY PRECAUTIONS****WARNING**

After ANY adjustments, repair or service and BEFORE use, make sure all attachment hardware is tightened securely - otherwise, injury or damage may result.

CAUTION

DO NOT overtighten hardware attaching to the frame. This could cause damage to the frame tubing.

SUGGESTED MAINTENANCE PROCEDURES

1. Before using your 9000 Series wheelchair, make sure all nuts and bolts are tight. Check all parts for damage or wear and replace. Check all parts for proper adjustment.
2. 9000 SL/9000XT ONLY - Keep quick-release axles free of dirt and lint to ensure positive locking and proper operation. Refer to ADJUSTING THE QUICK-RELEASE AXLE in SECTION 6 of this manual.
3. 9000 SL/9000XT ONLY - Oil quick-release axles at least once (1) a month (3-in-1 oil® or equivalent).

WARNING

DO NOT use the wheelchair unless it has the proper tire pressure (p.s.i.). DO NOT overinflate the tires. Failure to follow these suggestions may cause the tire to explode and cause bodily harm.

4. If tires are pneumatic, recommended tire pressure is listed on the sidewall of the tire.

CAUTION

As with any vehicle, the rear wheels, casters and tires should be checked periodically for cracks and wear, and should be replaced if damaged.

5. The rear wheels, casters and tires should be checked periodically for cracks and wear, and should be replaced by a qualified technician if damaged.

NOTE: Tire wear is excessive if:

PNEUMATIC TIRES - there is missing tread or the tires are bald.

URETHANE TIRES - there are cuts, surface defects or the tires are loose on the rims.

RUBBER TIRES - 30% or more of the tire has worn away.

NOTE: Invacare recommends that tires and casters are replaced every five (5) years.

6. Periodically adjust wheel locks in correlation to tire wear. Refer to WHEEL LOCK ADJUSTMENT in SECTION 8 of this manual.
7. Periodically check handrims to ensure they are secured to the rear wheels. If loose, have them tightened by a qualified technician.
8. Periodically check caster wheel bearings to make sure they are clean and free from moisture. Use a Teflon lubricant if necessary.

WARNING

9000 XT RECLINER ONLY: When cleaning rear cane or hand grip areas use only a clean towel lightly dampened with cool water. Verify that grips are dry prior to use. Use of soap or ammonia based cleaning solutions will result in the hand grips sliding off the cane assembly. Failure to observe this warning may result in injury to the user or bystanders.

9. Hand grips should be checked monthly for wear/looseness/deterioration. Clean if desired. Replace if looseness or deterioration is found.
10. Check upholstery for sagging, rips or tears.

Section 3 - Front Riggings includes the following:

Installing/Removing/Using the Footrest/Legrest

Footrest Height Adjustment

Impact Guards/Calf Strap

Heel Loop Replacement

Raising/Lowering the Elevating Legrest Assembly

WARNING

After ANY adjustments, repair or service and BEFORE use, make sure all attaching hardware is tightened securely - otherwise injury or damage may occur.

INSTALLING/REMOVING/USING THE FOOTREST/LEGREST (FIGURE 1)

NOTE: This procedure applies to the swingaway footrest and elevating legrest.

INSTALLING

1. Turn the swingaway footrest assembly to the side (open footplate is perpendicular to wheelchair).
2. Install the hinge plates on the swingaway footrest assembly onto the hinge pins on the wheelchair frame.
3. Push the swingaway footrest assembly towards the inside of the wheelchair until it locks into place.

NOTE: The footplate will be on the inside of the wheelchair when locked in place.

4. Repeat this procedure for the other footrest assembly.

REMOVING

1. Push the footrest release lever inward.
2. Rotate swingaway footrest assembly outward.
3. Lift the swingaway footrest assembly off of the hinge pins.

USING

1. To move the footrest out of the way without removing, push the footrest release lever inward, rotate footrest outward.
2. To lock the footrest, push the swingaway footrest assembly towards the inside of the wheelchair until it locks into place.

NOTE: The footplate will be on the inside of the wheelchair when locked in place.

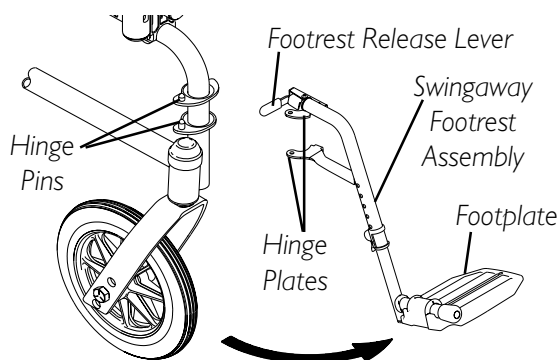


FIGURE 1 - INSTALLING/REMOVING/USING THE FOOTREST/LEGREST

FOOTREST HEIGHT ADJUSTMENT (FIGURE 2)

NOTE: This procedure applies to the swingaway footrest and elevating legrest.

1. Remove the swingaway footrest assembly. Refer to INSTALLING/REMOVING/USING THE FOOTREST in this section of the manual.

NOTE: Lay the assembly on a flat surface to simplify this procedure.

2. If installed, remove impact guards and/or calf strap.
3. Pull the cam lock lever UP to the UNLOCKED position.
4. Push IN the release buttons and reposition the lower footrest assembly to the desired height.
5. Ensure that the release buttons fully protrude from holes on both sides of the upper footrest support.
6. Rotate cam lock lever DOWN to LOCKED position.
7. If installed, replace impact guards and/or calf strap.
8. Repeat this procedure for the other footrest, if necessary.
9. Reinstall the swingaway footrest assembly. Refer to INSTALLING/REMOVING/USING THE FOOTREST in this section of the manual.

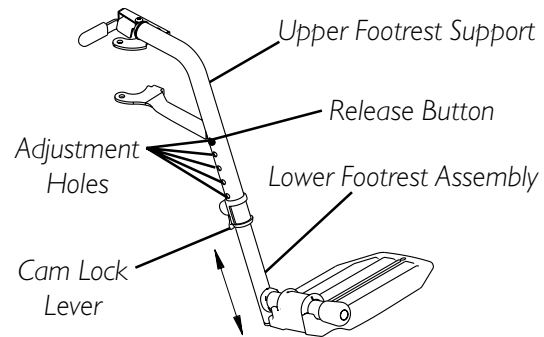


FIGURE 2 - FOOTREST HEIGHT ADJUSTMENT

IMPACT GUARDS/CALF STRAP (FIGURE 3)

1. Remove impact guard/calf strap from packaged container if not already secured to the footrest.
2. Secure one (1) impact guard to the each footrest.

NOTE: Ensure the upper portion of the impact guard is between the two (2) horizontal supports of the footrest.

3. Secure one (1) side of the calf strap around the each footrest (with the impact guards attached, if present).

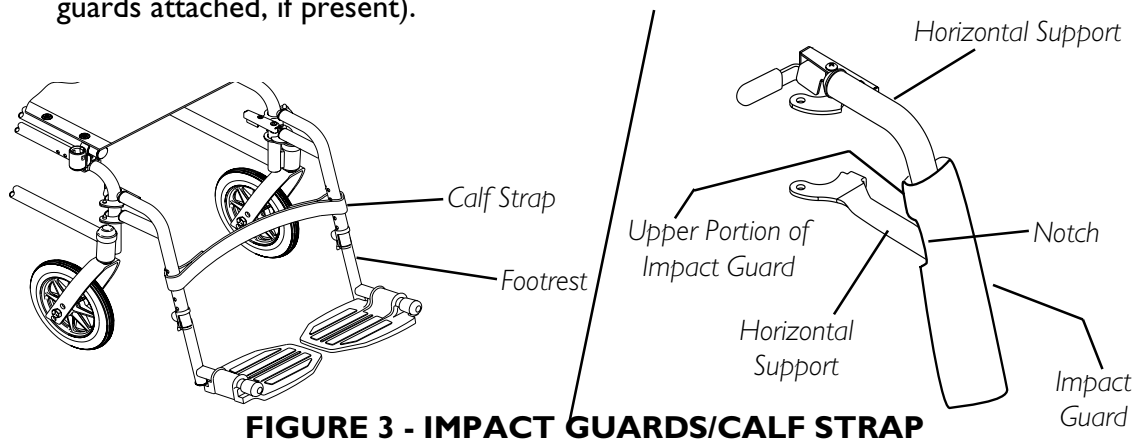
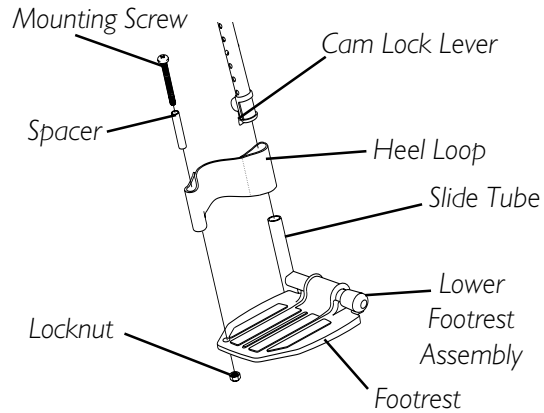


FIGURE 3 - IMPACT GUARDS/CALF STRAP

HEEL LOOP REPLACEMENT (FIGURE 4)

1. Pull the cam lock lever UP to the UNLOCKED position.
2. Push IN the release buttons and remove the lower footrest assembly.
3. Remove the mounting screw, spacer and locknut that secure the heel loop to the footrest.
4. Remove EXISTING heel loop from slide tube.
5. Install NEW heel loop onto slide tube.
6. Install the mounting screw, spacer and locknut to secure the heel loop to the footrest. Tighten until the spacer is secure.
7. Insert the lower footrest assembly into the upper footrest assembly to desired height.
8. Ensure that the release buttons fully protrude from holes on both sides of the upper footrest support.
9. Rotate cam lock lever DOWN to LOCKED position.

**FIGURE 4 - HEEL LOOP REPLACEMENT**

RAISING/LOWERING THE ELEVATING LEGREST ASSEMBLY (FIGURE 5)

WARNING

Ensure hands and fingers are clear of elevating legrest mechanism **BEFORE** pushing release lever to lower the elevating legrest. Otherwise injury may occur due to pinch points.

The wheelchair user's leg **MUST** be supported by an assistant **BEFORE** attempting to lower legrest.

1. To raise the elevating legrest, the assistant should grab hold of the support tube and raise elevating legrests until the desired height is obtained.
2. To lower the elevating legrest, perform the following:
 - A. Support user leg with one (1) hand.
 - B. Push release lever downward with other hand.
 - C. Gently, lower user leg down and rest against the legrest.

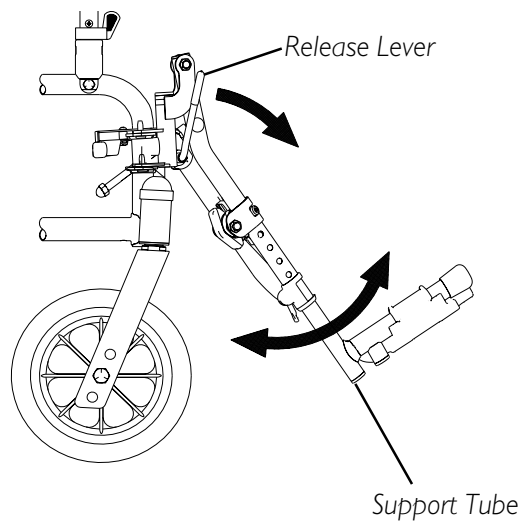


FIGURE 5 - ADJUSTING THE ELEVATING LEGREST ASSEMBLY

Section 4 - Arms includes the following:

Adjusting Armrest Height

Swing-Back Arms

Replacing Desk/Full Length Armrest Pad and or Clothing Guards (Fixed Height Arms Only)

Removing or Replacing Armrest

Converting From Space Saver to Conventional Arms or Conventional to Space Saver Arms (9000 XT/XDT Wheelchairs)

WARNING

After ANY adjustments, repair or service and BEFORE use, make sure all attaching hardware is tightened securely - otherwise injury or damage may occur.

ADJUSTING ARMREST HEIGHT (FIGURE 1)

WARNING

Make sure the height adjustment lever is in the locked position before using the wheelchair.

1. Unlock the armrest by flipping the height adjustment lever on the top front of the armrest to the UP (HORIZONTAL) position.
2. Adjust armrest to one (1) of five (5) positions.

NOTE: Height adjustment lever MUST be in the unlocked position when placing armrest into the arm assembly.

3. Lock the armrest by pressing the height adjustment lever into the DOWN (VERTICAL) position when the desired armrest height is achieved.
4. Repeat STEPS 1-3 for other armrest.

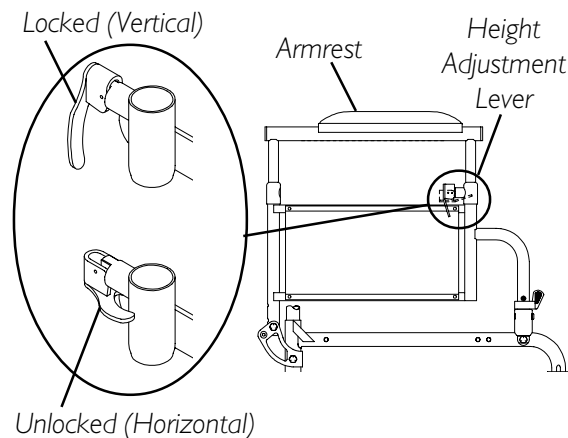


FIGURE 1 - ADJUSTING ARMREST HEIGHT

SWING-BACK ARMS (FIGURE 2)

NOTE: This procedure applies to 9000SL, 9000XT, and 9000XDT wheelchairs ONLY.

WARNING

Make sure the armrest release lever is in the locked position before using the wheelchair.

1. Unlock the swing-back arms by rotating the armrest release lever towards the outside of the wheelchair.
2. Pull the front of the swing-back arm straight up/out of the arm socket and towards the rear of the wheelchair.
3. To use the swing-back arm, push the swing-back arm towards the front of the wheelchair and then downward into the arm socket.

NOTE: Armrest release lever MUST be in the unlocked position when placing armrest into the arm sockets.

4. Lock the swing-back arms by rotating the armrest release lever towards the inside of the wheelchair.

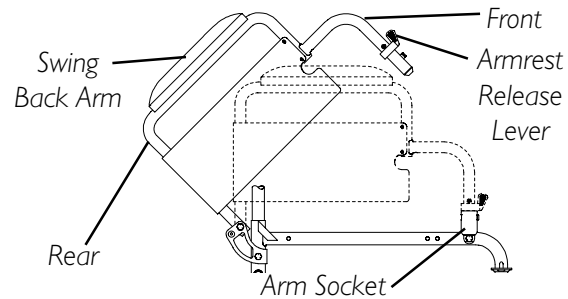


FIGURE 2 - SWING-BACK ARMS - 9000SL, 9000XT, 9000XDT

REPLACING DESK/FULL LENGTH ARMREST PAD AND/OR CLOTHING GUARDS (FIXED HEIGHT ARMS ONLY) (FIGURE 3)

ARMREST PAD

1. Remove the mounting screws that secure the armrest pad to the armrest assembly.
2. Replace armrest pad and securely tighten with the existing mounting screws.

CLOTHING GUARD

1. Remove the four (4) mounting screws that secure the existing clothing guard to the armrest assembly.
2. Install NEW clothing guard and securely tighten with the existing mounting screws.

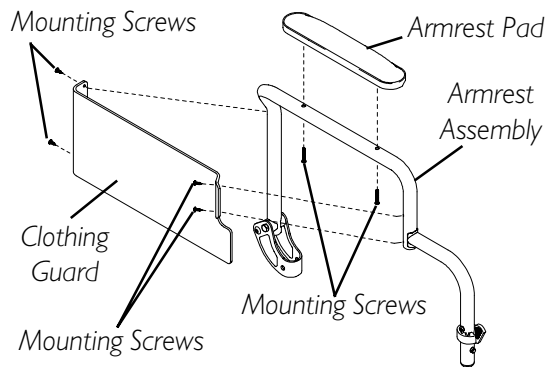


FIGURE 3 - REPLACING DESK/FULL LENGTH ARMREST PAD AND/OR CLOTHING GUARDS (FIXED HEIGHT ARMS ONLY)

REMOVING OR REPLACING ARMREST (FIGURE 4)

NOTE: This procedure DOES NOT apply to 9000 SL wheelchairs.

WARNING

Make sure the armrest release lever is in the locked position before using the wheelchair.

REMOVING ARMRESTS

1. Unlock the armrest by turning the armrest release levers towards the outside of the wheelchair.
2. Lift armrest completely out of arm sockets from the wheelchair.

REPLACING ARMRESTS

NOTE: Armrest release levers MUST be in the unlocked position when placing armrests into the arm sockets.

1. Place armrest into arm sockets located on the side of the wheelchair.
2. Lock the armrest by turning the armrest release levers towards the inside of the wheelchair.

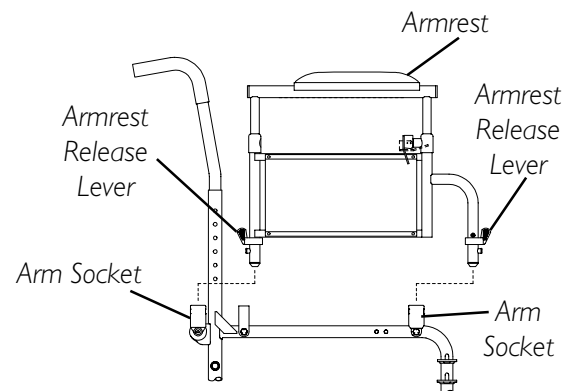


FIGURE 4 - REMOVING OR REPLACING ARMREST

CONVERTING FROM SPACE SAVER TO CONVENTIONAL ARMS OR CONVENTIONAL TO SPACE SAVER ARMS (9000 XT/XDT WHEELCHAIRS) (FIGURE 5)

NOTE: Space Saver arms DO NOT work with the following:

- A. 9000XT with the adjustable angle back option.
- B. The 9000XT Recliner.

1. Remove the arms from the wheelchair. Refer to REMOVING OR REPLACING ARMRESTS in this section of the manual.
2. Remove the locknut and hex screw that secure the arm socket to the wheelchair frame.
3. Repeat STEP 2 for the opposite side of the wheelchair.
4. Reposition the arm socket to one (1) of two (2) positions:

| ARM TYPE | ARM SOCKET POSITION (On wheelchair Frame) |
|--------------|---|
| Conventional | OUTSIDE |
| Space Saver | INSIDE |

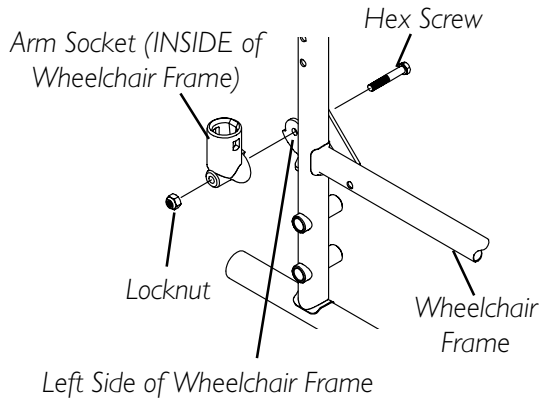
NOTE: Make sure arm sockets sit flush against the wheelchair frame.

5. Reinstall the hex screw and locknut that secure the arm socket to the wheelchair frame and securely tighten.
6. Repeat STEP 5 for the opposite side of the wheelchair.
7. Install the NEW arms onto the wheelchair. Refer to REMOVING OR REPLACING ARMRESTS in this section of the manual.
8. Refer to the following chart to determine if the rear wheel axle spacer is needed:

| ARM TYPE | AXLE SPACER NEEDED? |
|-------------------|---------------------|
| Conventional Arms | YES |
| Space Saver Arms | NO |

9. If rear wheel axle spacer is needed, refer to REMOVING/INSTALLING THE REAR WHEELS in SECTION 6 of this manual.

SPACE SAVER ARM POSITION



CONVENTIONAL ARM POSITION

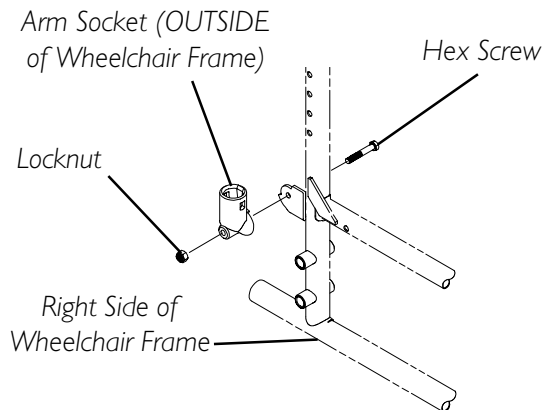


FIGURE 5 - CONVERTING FROM SPACE SAVER TO CONVENTIONAL ARMS OR CONVENTIONAL TO SPACE SAVER ARMS (9000 XT/XDT WHEELCHAIRS)

Section 5 - Seat and Back includes the following:
 Replacing the Seat Upholstery
 Replacing the Back Upholstery
 Adjusting the Back Height, Back Angle or Seat Depth
 Adjusting the Seat Width

WARNING

After ANY adjustments, repair or service and BEFORE use, make sure all attaching hardware is tightened securely - otherwise injury or damage may occur.

NOTE: The procedures in this section apply to NON-RECLINER models only. For 9000XT RECLINER models, refer to SECTION 9 of this manual.

REPLACING THE SEAT UPHOLSTERY (FIGURE 1)

1. Remove the mounting screws that secure the existing seat upholstery to the wheelchair frame.

NOTE: The chart below determines the number of mounting screws for each seat depth.

2. Remove the EXISTING seat upholstery from the wheelchair frame.
3. Install NEW seat upholstery by reversing STEPS 1-2.

| SEAT DEPTH | NUMBER OF SCREWS |
|--------------------|------------------|
| 16-inch | 8 |
| 17-inch to 20-inch | 10 |

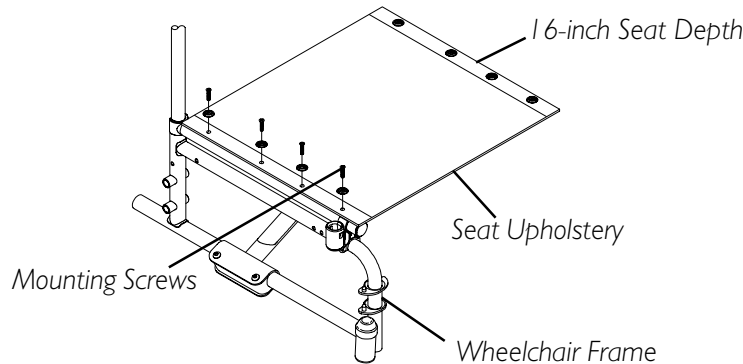


FIGURE 1 - REPLACING THE SEAT UPHOLSTERY

REPLACING THE BACK UPHOLSTERY

SCREW ON BACK UPHOLSTERY - 9000 SL (FIGURE 2)

1. Flip swing back arms up and out of the way. Refer to SWING-BACK ARMS in SECTION 4 of this manual.
2. Remove the six (6) mounting screws and washers that secure the EXISTING back upholstery to the back canes.
3. Cut the tie wraps that secure the EXISTING back upholstery to the wheelchair frame.
4. Securely tighten the NEW back upholstery to the back canes with the six (6) mounting screws and washers starting with the top hole of the back cane.
5. Install two (2) NEW tie wraps through the bottom holes of the upholstery to the bottom of the back upholstery to the back canes.
6. Flip swing-back arms down for use. Refer to SWING-BACK ARMS in SECTION 5 of this manual.

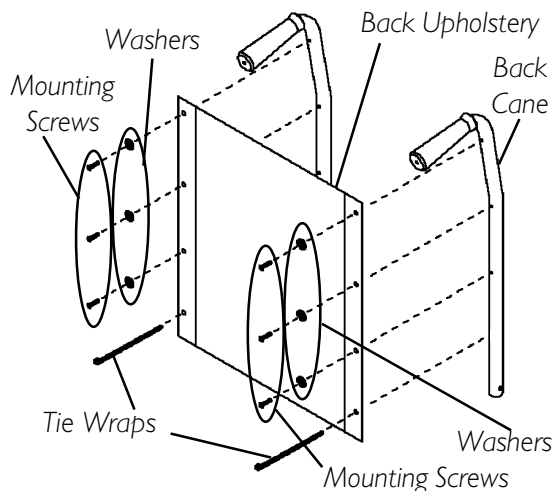


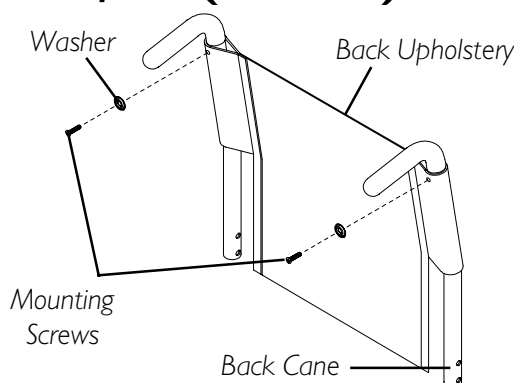
FIGURE 2 - REPLACING THE SCREW ON BACK UPHOLSTERY - 9000 SL

SLIP ON BACK UPHOLSTERY - 9000 XT/XDT (FIGURE 3)

1. Remove the two (2) mounting screws and washers that secure the existing back upholstery to the back canes.
2. Remove the two (2) mounting screws and locknuts that secure one (1) back cane to the wheelchair frame.

NOTE: It is necessary to remove only one (1) back cane to replace the back upholstery.

3. Pull the loose back cane out of the existing back upholstery.
4. Pull the existing back upholstery up and over the mounted back cane.
5. Install the NEW back upholstery over the mounted back cane.
6. Slide the loose back cane through the NEW back upholstery.
7. Secure the back cane to the wheelchair frame with the two (2) allen screws and locknuts.
8. Secure the NEW back upholstery to the back canes with the existing mounting screws and washers.



NOTE: The two (2) mounting screws and locknuts that secure the back cane to the wheelchair frame are not shown for clarity.

FIGURE 3 - REPLACING THE SLIP ON BACK UPHOLSTERY - 9000 XT/XDT

ADJUSTING THE BACK HEIGHT, BACK ANGLE OR SEAT DEPTH

WARNING

The seat depth, back height/angle, seat angle, size/position of the front casters, size/position of the rear wheels, anti-tipper model, as well as the user condition directly relate to the stability of the wheelchair. Any change to one (1) or any combination of the ten (10) may cause the wheelchair to decrease in stability. These adjustments **MUST** be performed by a qualified technician.

ADJUSTING THE SEAT WIDTH

WARNING

Adjusting the seat width of the 9000SL, 9000XT, 9000XDT **MUST** be performed by a qualified technician.

Section 6 - Rear Wheels includes the following:

Removing/Installing the Rear Wheels

Replacing Rear Wheel Handrim

Replacing/Repairing Rear Wheel Tire/Tube

Adjusting the Quick-Release Axle

WARNING

After **ANY** adjustments, repair or service and **BEFORE** use, make sure all attaching hardware is tightened securely - otherwise injury or damage may occur.

NOTE: The procedures in this section apply to NON-RECLINER models only EXCEPT where noted. For RECLINER models, refer to SECTION 9 of this manual.

REMOVING/INSTALLING THE REAR WHEELS

WARNING

If changing the size of the rear wheel or a change in the **SEAT-TO-FLOOR HEIGHT** is desired, this procedure **MUST** be performed by a qualified technician.

PERMANENT AXLES

WARNING

If the wheelchair is equipped with permanent axles, removal/installation of the rear wheels must be performed by a qualified technician.

QUICK-RELEASE AXLES (FIGURE 1)

WARNING

NEVER use quick-release axles on the 9000 XT (models with offset axle option **ONLY**), 9000XDT or 9000XT RECLINER wheelchairs.

NOTE: If replacing the same size rear wheel, note the mounting position on the wheelchair frame for proper reinstallation of the NEW rear wheel.

1. Push in the detent pin of the quick-release axle (with wheel) and pull the axle out through the opening in the center of the rear wheel and axle spacer.

NOTE: Axle spacer is used only if wheelchair is equipped with conventional arms.

2. Push in the detent pin of the quick-release axle again and pull the axle out of the rear wheel.
3. Repeat STEPS 1-2 for the opposite rear wheel.

4. To reinstall the rear wheel onto the wheelchair, reverse STEPS 1-3.

NOTE: Make sure axle spacer is between rear wheel and wheelchair frame if wheelchair is equipped with conventional arms.

WARNING

Make sure the detent pin and locking pins of the quick-release axle are fully released BEFORE operating the wheelchair.

The locking pins MUST be protruding past the inside of the rear wheel axle bushing for a positive lock (DETAIL "A", FIGURE 3).

Keep locking pins clean.

Invacare recommends inserting quick-release axles with the detent pin to the inside of the wheelchair to prevent accidental release during contact activities.

5. If the locking pins are not protruding past the inside of the axle bushing or there is too much side to side movement of the rear wheel assembly, refer to ADJUSTING THE QUICK RELEASE AXLE in this section of the manual.

DETAIL "A" - LOCKING PINS AND DETENT PIN

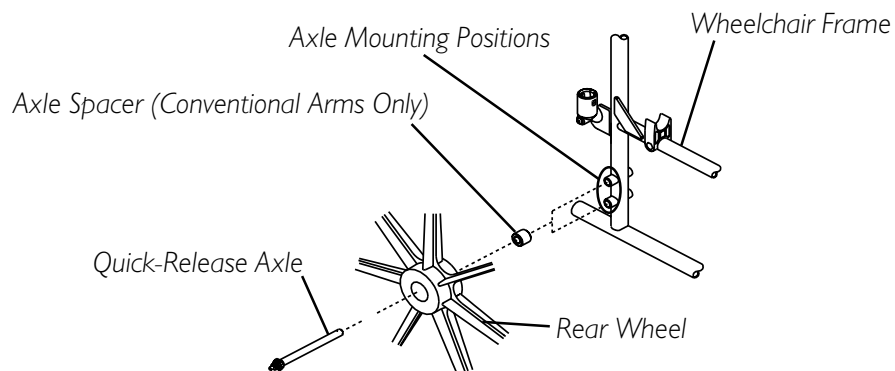
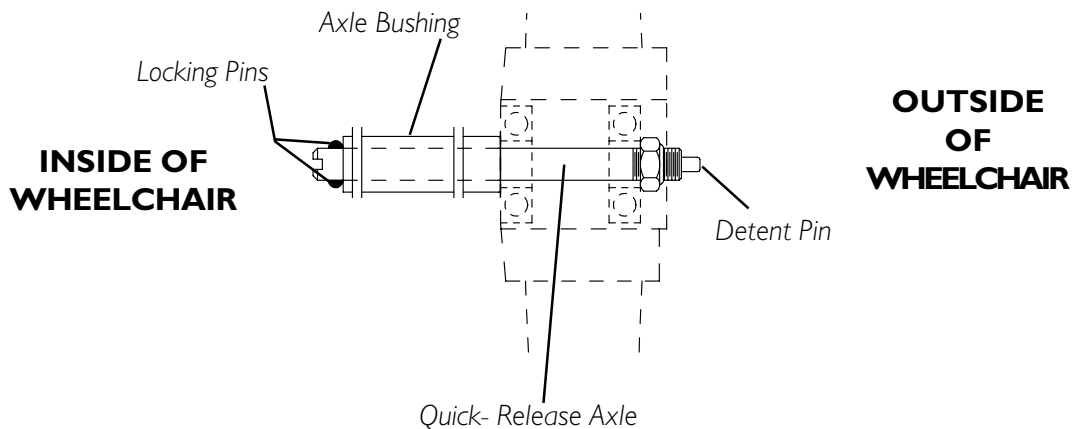


FIGURE 1 - REMOVING/INSTALLING THE REAR WHEELS - QUICK-RELEASE AXLES

REPLACING REAR WHEEL HANDRIM (FIGURE 2)**WARNING**

If the wheelchair is equipped with permanent axles, this procedure **MUST** be performed by a qualified technician.

1. Remove the rear wheel from the wheelchair. For non-recliner models, refer to REMOVING/INSTALLING THE REAR WHEELS in this section of the manual. For 9000XT Recliner, refer to REMOVING/INSTALLING THE REAR WHEELS in SECTION 9 of this manual.

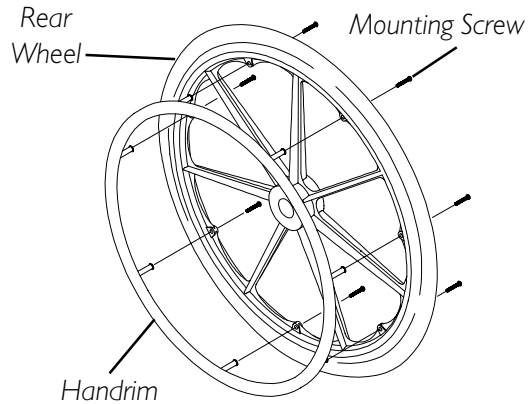


FIGURE 2 - REPLACING REAR WHEEL HANDRIM

2. Remove the mounting screws that secure the handrim to the rear wheel.
3. Remove the existing handrim.
4. Install the NEW handrim by reversing the above procedures.

WARNING

Make sure detent pin and locking pins of the quick-release axles are fully released BEFORE operating the wheelchair .

5. Reinstall rear wheel to the wheelchair. Refer to REMOVING/INSTALLING THE REAR WHEELS in this section of the manual.
6. If the locking pins of the quick-release axles (if applicable) are not protruding past the inside of the axle bushing or there is too much movement of the rear wheel assembly in a back and forth position, refer to ADJUSTING THE QUICK-RELEASE AXLE in this section of the manual.
7. Repeat the procedure for the opposite rear wheel if necessary.

REPLACING/REPAIRING REAR WHEEL TIRE/TUBE**WARNING**

Replacement of rear wheel tire or tube **MUST** be performed by a qualified technician.

ADJUSTING THE QUICK-RELEASE AXLE (FIGURE 3)

WARNING

NEVER use quick-release axles on the 9000 XT (models with offset axle option **ONLY**), 9000XDT or 9000XT RECLINER wheelchairs.

1. Remove rear wheel and quick-release axle from the wheelchair. Refer to REMOVING/INSTALLING THE REAR WHEELS in this section of the manual.
2. Depress detent pin in the quick-release axle and slide axle through the rear wheel hub.
3. Release detent pin ensuring that the locking pins are fully released.
4. Increase or decrease end play by adjusting the locknut on the end of the quick-release axle.

WARNING

Make sure detent pin and locking pins of the quick-release axles are fully released BEFORE operating the wheelchair .

Keep locking pins clean.

5. Reinstall rear wheel onto the wheelchair. Refer to REMOVING/INSTALLING THE REAR WHEELS in this section of the manual.

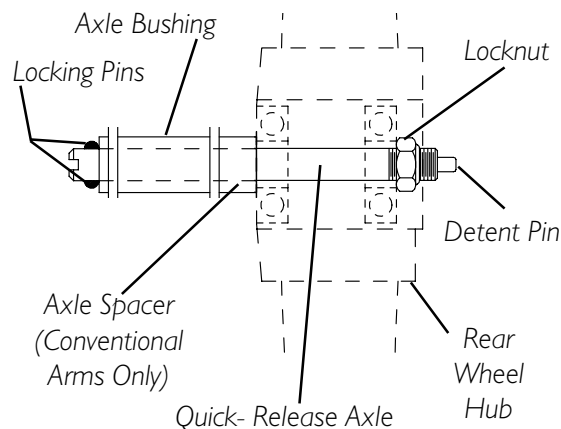


FIGURE 3 - ADJUSTING THE QUICK-RELEASE AXLE

Section 7 - Front Casters includes the following:

Installing/Replacing Six or Eight-inch Front Casters and Forks

Replacing/Repairing Front Caster Tire/Tube

Front Caster Mounting Adjustments

WARNING

After **ANY** adjustments, repair or service and **BEFORE** use, make sure all attaching hardware is tightened securely - otherwise injury or damage may occur.

INSTALLING/REPLACING SIX OR EIGHT-INCH FRONT CASTERS AND FORKS (FIGURE 1)

WARNING

If converting from six-inch caster to an eight-inch caster or vice versa, there are **SEAT-TO-FLOOR** height adjustments that must be made. Therefore, this procedure **MUST** be performed by a qualified technician.

NOTE: This procedure can be performed if replacing the exact same size front caster.

1. Remove the dust cover.
2. Remove the locknut that secures the fork to the caster headtube.
3. Drop the front caster and fork out of the caster headtube.

NOTE: 9000XDT ONLY - Make sure to reinstall the 2-inch extension spacer. See DETAIL "A".

4. Slide in the new six/eight-inch front caster and fork.
5. Reassemble by reversing STEPS 1-3.
6. Repeat STEPS 1-5 for the opposite front caster.
7. To properly tighten caster journal system and guard against flutter, perform the following check:
 - A. Tip back of wheelchair to floor.
 - B. Pivot both forks and casters to top of their arc simultaneously.
 - C. Let casters drop to bottom of arc (wheels should swing once to one-side, then immediately rest in a straight downward position).
 - D. Adjust locknuts according to freedom of caster swing.
8. Test wheelchair for maneuverability.
9. Readjust locknuts if necessary, and repeat STEPS 7-8 until correct.
10. Snap dust cover over the locknut and stem.

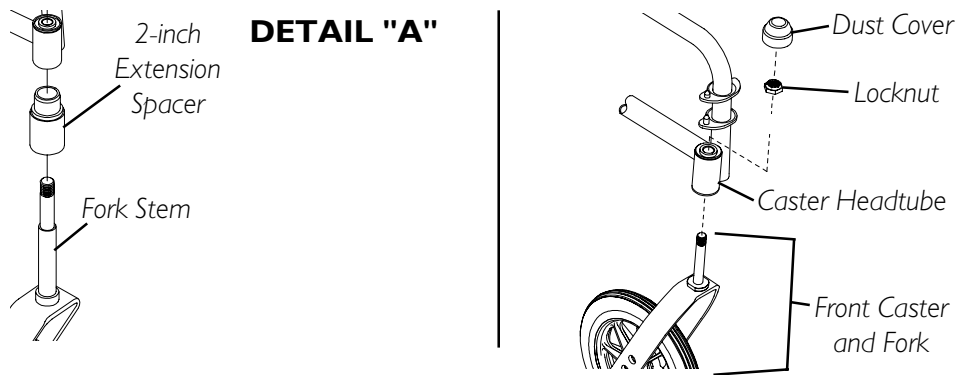


FIGURE 1 - INSTALLING/REPLACING SIX OR EIGHT-INCH FRONT CASTERS AND FORKS

REPLACING/REPAIRING FRONT CASTER TIRE/TUBE

WARNING

Replacement of front caster tire or tube **MUST** be performed by a qualified technician.

CAUTION

As with any vehicle, the wheels and tires should be checked periodically for cracks and wear, and should be replaced when necessary.

FRONT CASTER MOUNTING ADJUSTMENTS

WARNING

Front caster mounting adjustments **MUST** be performed by a qualified technician.

Section 8 - Anti-tippers/Wheel Locks includes the following:

Installing/Adjusting the Anti-Tippers

Using/Adjusting the Patient Operated Wheel Locks

WARNING

After **ANY** adjustments, repair or service and **BEFORE** use, make sure all attaching hardware is tightened securely - otherwise injury or damage may occur.

NOTE: The procedures in this section apply to NON-RECLINER models only EXCEPT where noted. For 9000XT RECLINER, refer to SECTION 9 of this manual.

INSTALLING/ADJUSTING THE ANTI-TIPPERS

WARNING

Anti-tippers are specific to the different seat-to-floor angles and/or seat-to-floor heights. Refer to the chart in this section of the manual for correct usage and adjustment. If these requirements **CANNOT** be achieved, **DO NOT** use the wheelchair. Contact a qualified technician. If changing the seat-to-floor height with or without a change to seat-to-floor angle, the correct anti-tippers **MUST** be used to maintain a 1-1/2 to 2-inch ground clearance.

Seat-to-floor angle of 0° or 3°: If so equipped, anti-tippers **MUST** be attached at all times. Inasmuch as the anti-tippers are an option for 0° or 3° on this wheelchair (You may order with or without the anti-tippers), Invacare strongly recommends ordering the anti-tippers as a safeguard for the wheelchair user.

Seat-to-floor angle of 6°: If changing the seat-to-floor angle to 6°, anti-tippers **MUST** be ordered and installed.

Anti-tippers **MUST** be fully engaged and release buttons fully protruding out of adjustment holes.

Ensure both anti-tippers are adjusted to the same mounting hole.

INSTALLING ANTI-TIPPERS (FIGURE 1)

1. Remove plug button (not shown) from end of rear frame tubing and install anti-rattles if not already installed.
2. Press the release buttons **IN** and insert the anti-tippers with the anti-tipper wheels pointing toward the ground/floor into the rear frame tubing until the bottom release button locks in place.
3. Measure the distance between the bottom of the anti-tipper wheels and the ground/floor.

NOTE: A 1-1/2 to 2-inch clearance between the bottom of the anti-tipper wheels and the ground/floor MUST be maintained at all times.

4. If the distance between the bottom of anti-tipper wheels and the ground/floor is not 1-1/2 to 2-inches, adjust anti-tippers. Refer to **ADJUSTING THE ANTI-TIPPERS** in this section of the manual.

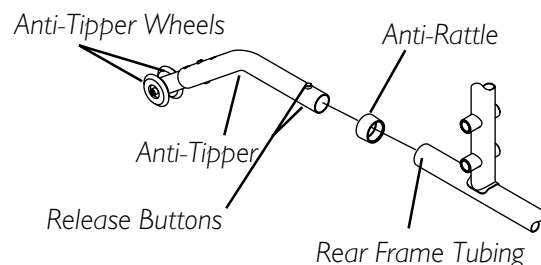


FIGURE 1 - INSTALLING THE ANTI-TIPPERS

ADJUSTING (FIGURE 2)

1. Press the release buttons on the wheeled portion of the anti-tipper and slide it up or down to achieve the 1-1/2 to 2-inch clearance.
2. Check to make sure that the release buttons are fully engaged in adjustment holes.

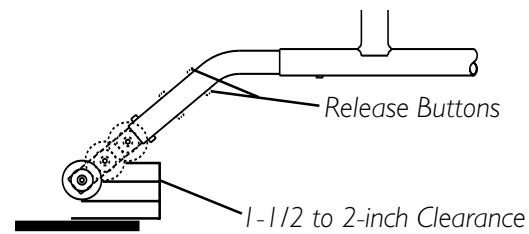
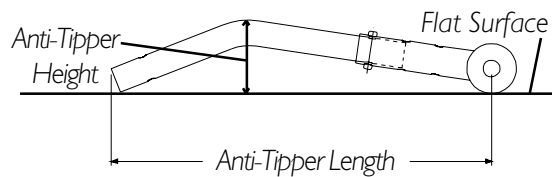


FIGURE 2 - ADJUSTING THE ANTI-TIPPERS



NOTE: Refer to the following charts to ensure the correct anti-tipper is installed in the wheelchair. Seat-to-Floor heights are approximate depending on front caster size and type. Anti-Tipper length measurement is taken with the extension tube in the longest position available. The anti-tipper height measurement MUST be taken with the anti-tipper on a flat surface.

| 9000 XT (SUPER LOW FRAME) | | | | |
|---------------------------|--------------------------|-----------------------------|----------|----------------------|
| CASTER SIZE | SEAT-TO-FLOOR HEIGHT | ANTI-TIPPER LENGTH / HEIGHT | ON CHAIR | OFF CHAIR KIT NUMBER |
| 6-inch | 13-1/2 and 14-1/2-inches | 10-1/2 / 2-inches | I360SH | I064520 |

| 9000 XDT (ADULT TALL FRAME) | | | | |
|-----------------------------|--------------------------|-----------------------------|----------|----------------------|
| CASTER SIZE | SEAT-TO-FLOOR HEIGHT | ANTI-TIPPER LENGTH / HEIGHT | ON CHAIR | OFF CHAIR KIT NUMBER |
| 8-inch | 17-1/2 and 19-1/2-inches | 11-5/8 / 2-3/4-inches | I360A | I058752 |
| 8-inch | 21-1/2-inches | 13-1/2 / 3-1/2-inches | I360 | I058836 |

| 9000 XT WITH 0° SEAT-TO-FLOOR ANGLE (ADULT/HEMI FRAME) | | | | |
|--|-----------------------|-----------------------------|----------|----------------------|
| CASTER SIZE | SEAT-TO-FLOOR HEIGHT | ANTI-TIPPER LENGTH / HEIGHT | ON CHAIR | OFF CHAIR KIT NUMBER |
| 8-inch | 17-1/2, 18-1/2-inches | 13-1/2 / 3-1/2-inches | N/A | I058836 |
| 6-inch | 16-1/2, 17-1/2-inches | 13-1/2 / 3-1/2-inches | N/A | I058836 |
| | 15-1/2-inches | 11-5/8 / 2-3/4-inches | N/A | I058752 |

| 9000 XT WITH 3° SEAT-TO-FLOOR ANGLE AND 9000 SL (ADULT/HEMI FRAMES) | | | | |
|---|-------------------------------|-----------------------------|----------|----------------------|
| CASTER SIZE | SEAT-TO-FLOOR HEIGHT | ANTI-TIPPER LENGTH / HEIGHT | ON CHAIR | OFF CHAIR KIT NUMBER |
| 8-inch | 17-1/2, 18-1/2, 19-1/2-inches | 13-1/2 / 3-1/2-inches | I360 | I058836 |
| 6-inch | 15-1/2, 16-1/2, 17-1/2-inches | 11-5/8 / 2-3/4-inches | I360A | I058752 |

| 9000 XT WITH 6° SEAT-TO-FLOOR ANGLE (ADULT/HEMI FRAME) | | | | |
|--|-------------------------------|-----------------------------|----------|----------------------|
| CASTER SIZE | SEAT-TO-FLOOR HEIGHT | ANTI-TIPPER LENGTH / HEIGHT | ON CHAIR | OFF CHAIR KIT NUMBER |
| 8-inch | 17-1/2, 18-1/2, 19-1/2-inches | 13-1/2 / 2-7/8-inches | N/A | 1113766 |
| 6-inch | 16-1/2, 17-1/2-inches | 12-1/2 / 2-3/4-inches | N/A | 1113765 |
| | 15-1/2-inches | 9-1/2 / 2-3/8-inches | N/A | 1113764 |

USING/ADJUSTING THE PATIENT OPERATED WHEEL LOCKS

USING THE PATIENT OPERATED WHEEL LOCKS (FIGURE 3)

WARNING

DO NOT attempt to stop a moving wheelchair with the wheel locks. **WHEEL LOCKS ARE NOT BRAKES.**

NOTE: The push or pull to lock wheel locks are also an option on the 9000XT Recliner.

1. Ensure the wheelchair is not moving before engaging the wheel locks.
2. Perform one (1) of the following:
 - A. **Push-to-Lock** - To engage, push the wheel lock handle forward.
 - B. **Pull-to-Lock** - To engage, pull the wheel lock handle backward.
3. Disengage the wheel locks by reversing STEP 2.

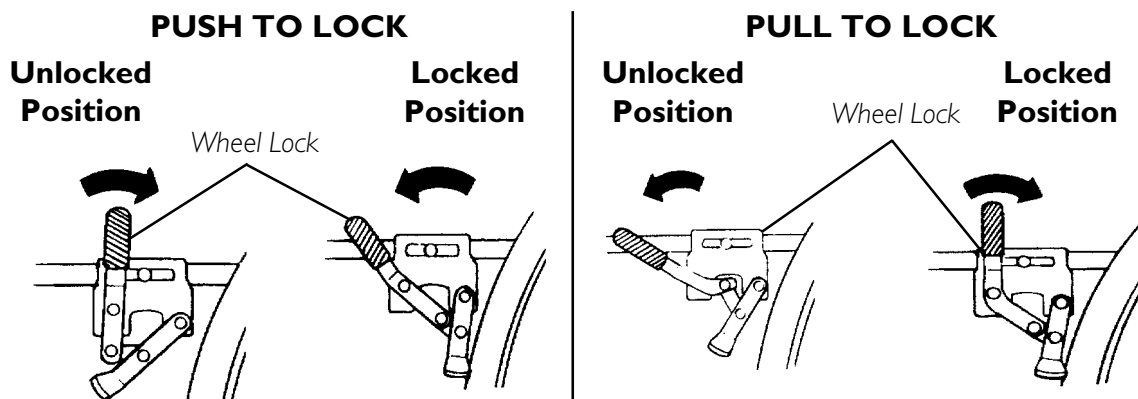


FIGURE 3 - USING THE PATIENT OPERATED WHEEL LOCKS

ADJUSTING THE PATIENT OPERATED WHEEL LOCKS (FIGURE 4)

NOTE: The push or pull to lock wheel locks are also an option on the 9000XT Recliner.

NOTE: If wheels are pneumatic, before adjusting or replacing the wheel lock assemblies, ensure that the tires are inflated to the recommended psi on the side wall of tire. The recommended tire pressure is located on the side wall of the tire.

1. Disengage the wheel locks.
2. Perform one (1) of the following:
 - A. **BOLT-ON WHEEL LOCKS** - Loosen the bolt and locknut that secure the wheel lock to the wheelchair frame.
 - B. **CLAMP-ON WHEEL LOCKS** - Loosen the two (2) socket screws that secure the wheel lock to the wheelchair frame.
3. Reposition the wheel lock so that when engaged, the wheel lock shoe embeds the tire 1/8-inch (3/16-inch for pneumatic tires) and **HOLDS** the occupied wheelchair in place when pushed.

4. Securely tighten the bolt and locknut or socket screws securing the wheel lock to the wheelchair frame.
5. Engage the wheel lock.
6. Measure the distance the wheel lock is embedded into the tire as shown in DETAIL "A" of FIGURE 4.

NOTE: Any wheel lock adjustment should embed the wheel lock shoe at least 1/8-inch (3/16-inch if pneumatic tire) into the tire when engaged.

7. Repeat STEPS 1-6 until the wheel lock shoe embeds the tire 1/8-inch (3/16-inch for pneumatic tires) and **HOLDS** the occupied wheelchair in place when pushed.
8. Repeat STEPS 1-7 for the opposite wheel lock.
9. If the measurement of 1/8-inch (3/16-inch for pneumatic tires) can not be achieved, Perform one (1) of the following:
 - A. **BOLT-ON WHEEL LOCKS** - Remove the bolt and locknut that secure the wheel lock to the wheelchair frame and mount the wheel lock in one (1) of two (2) mounting positions.
 - B. **CLAMP-ON WHEEL LOCKS** - Loosen the two (2) set screws on the wheel lock clamp and adjust the wheel lock position in the clamp.
10. Repeat STEPS 1-9 until the wheel lock **HOLDS** the occupied wheelchair in place when pushed. If the correct measurement still cannot be achieved, contact a qualified technician.

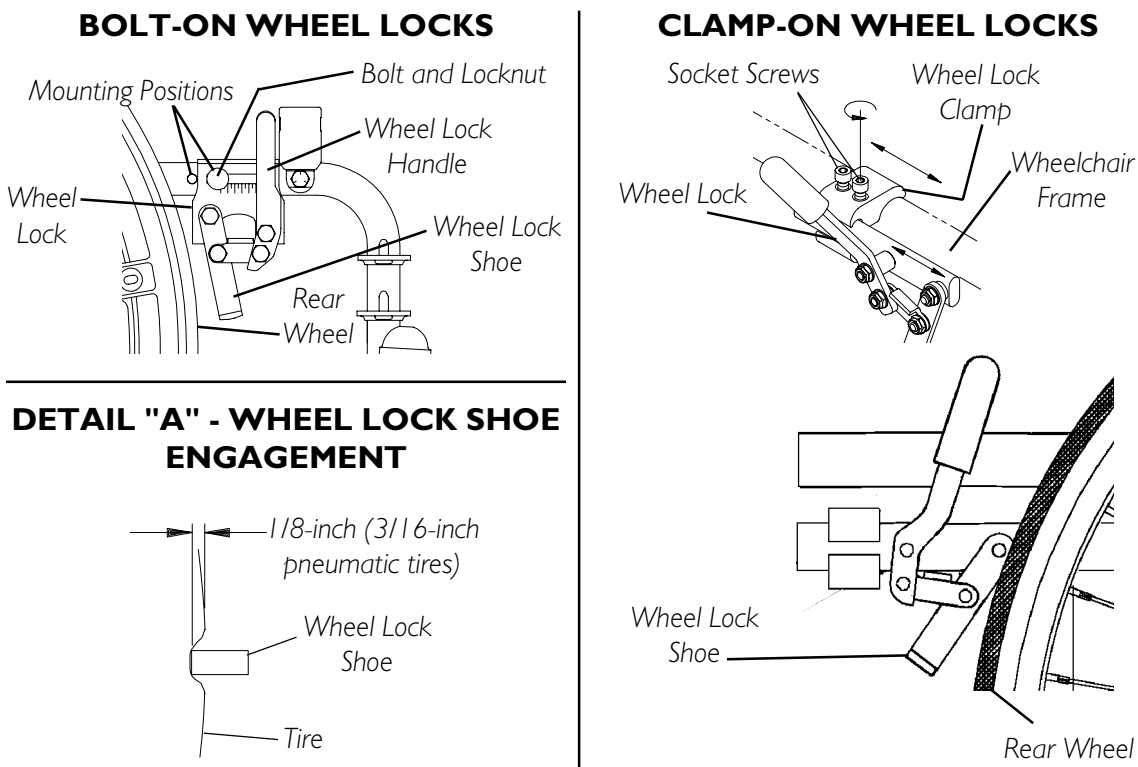


FIGURE 4 - ADJUSTING THE PATIENT OPERATED WHEEL LOCKS

Section 9 - Recliner includes the following:

Recliner Operation

Replacing the Headrest Pillow

Replacing Headrest/Back Upholstery

Adjusting Headrest/Back Upholstery Tension

Adjusting the Seat Depth

Adjusting the Seat Width

Storing/Replacing the Spreader Bar

Installing the Anti-Tippers

Removing/Installing the Rear Wheels

Using/Adjusting the Wheel Locks

Installing the Telescoping I.V. Rod

WARNING

After **ANY** adjustments, repair or service and **BEFORE** use, make sure all attaching hardware is tightened securely - otherwise injury or damage may occur.

RECLINER OPERATION (FIGURE 1)

WARNING

ALWAYS make sure that the wheelchair is stable **BEFORE** using the recliner option.

ALWAYS wear your Seat Positioning Strap. Inasmuch as the **SEAT POSITIONING STRAP** is an option on this wheelchair (You may order with or without the Seat Positioning Strap), Invacare strongly recommends ordering the Seat Positioning Strap as an additional safeguard for the wheelchair user.

Ensure the spreader bar is attached and secured before using the 9000XT Recliner.

LIFT KIT MODELS ONLY - Both spring lift mechanisms **MUST** be operational **BEFORE** using the recliner. **DO NOT** operate the recliner option if only one (1) of the spring lift mechanisms is operational.

TO HEALTHCARE PROFESSIONALS/ASSISTANTS:

Make sure occupant's hands and body are clear of all pinch points before reclining back. Pinch Points exist between spreader bar and recliner mechanism. Use caution, otherwise injury may occur.

When returning the occupant of the wheelchair to the full upright position, more body strength will be required for approximately the last twenty (20) degrees of incline (reverse recline). Make sure to use proper body mechanics (use your legs) or seek assistance if necessary to avoid injury.

WARNING (CONTINUED)

LIFT KIT MODELS ONLY - DO NOT attempt to recline or incline the wheelchair back without occupant. Back will raise **ABRUPTLY** and cause injury. Keep clear when reclining or inclining chair back to avoid injury.

ALWAYS engage both wheel locks while reclining or inclining (reverse recline) the wheelchair.

Make sure the patient is properly positioned in the wheelchair before reclining or inclining (reverse recline) to maintain maximum stability and safety. Refer to the SAFETY/HANDLING OF WHEELCHAIRS in SECTION I of this manual.

1. Unfold wheelchair. Refer to SAFETY/HANDLING OF WHEELCHAIRS in SECTION I of this manual.
2. Attach spreader bar. Refer to STORING/REPLACING THE SPREADER BAR in this section of the manual.
3. Adjust the tightness of the headrest/back upholstery. Refer to ADJUSTING HEADREST/BACK UPHOLSTERY in this section of the manual.
4. Make sure wheelchair is occupied and on a level surface before reclining.
5. Engage the wheel locks. Refer to USING/ADJUSTING THE WHEEL LOCKS in this section of the manual.
6. Inform the occupant of the wheelchair that the wheelchair is about to be reclined.
7. Make sure occupant's hands and body are clear of all pinch points.
8. Stand behind the wheelchair and grasp both push handles firmly.
9. Squeeze release handles.
10. **SLOWLY**, pull back on the back assembly while squeezing the release handles.
11. When the back reaches the desired angle, **SLOWLY** let go of the release handles.
12. To return the back to the full upright position, reverse the STEPS 8-11 keeping in mind proper body mechanics.

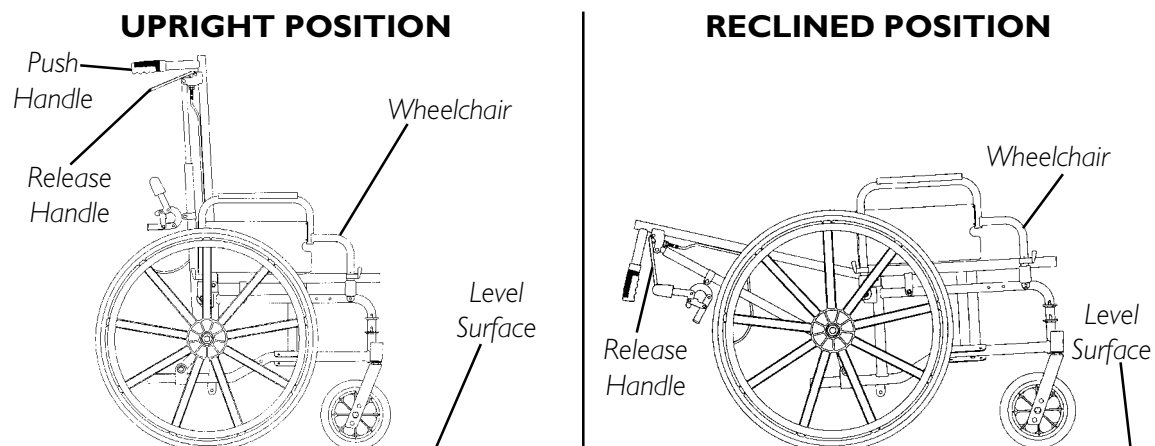


FIGURE I - RECLINER OPERATION

REPLACING THE HEADREST PILLOW (FIGURE 2)

1. Unfasten straps of headrest pillow from behind headrest upholstery.
2. Secure straps of NEW headrest pillow onto fastening strips located on back of headrest upholstery.

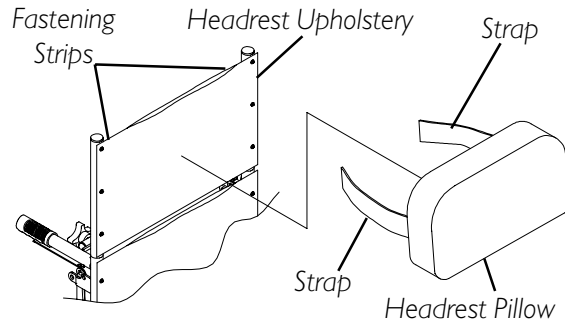


FIGURE 2 - REPLACING THE HEADREST PILLOW

REPLACING THE HEADREST/BACK UPHOLSTERY (FIGURE 3)

HEADREST UPHOLSTERY

1. Remove the headrest pillow. Refer to REPLACING THE HEADREST PILLOW in this section of the manual.
2. Remove the six (6) mounting screws that secure the headrest upholstery to the headrest extension tubes.
3. Secure NEW headrest upholstery onto headrest extension tubes with the existing six (6) mounting screws.
4. Install headrest pillow. Refer to REPLACING THE HEADREST PILLOW in this section of the manual.

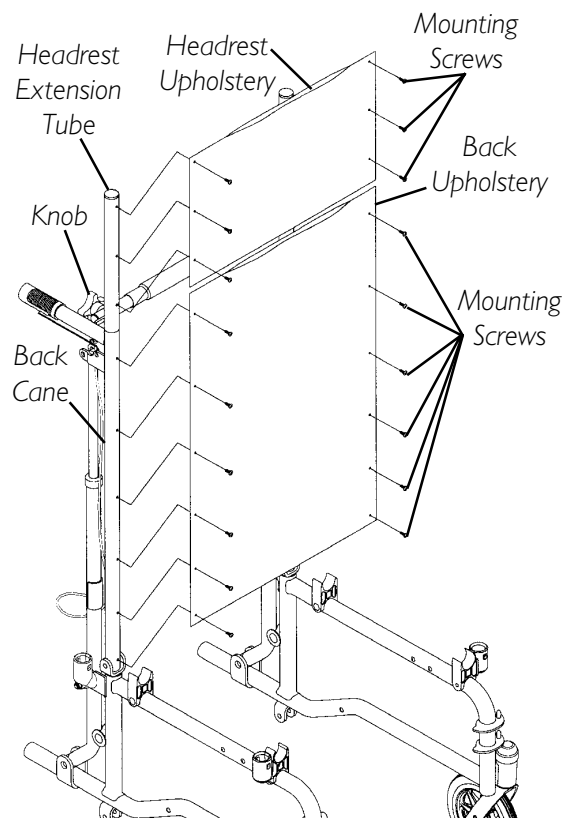


FIGURE 3 - REPLACING THE HEADREST/BACK UPHOLSTERY

BACK UPHOLSTERY

1. Remove one (1) knob on from one (1) side of the spreader bar.
2. Loosen, but do not remove the remaining knob.

NOTE: To remove and install the bottom two (2) mounting screws of the back upholstery the wheelchair must be partially folded.

3. Remove the twelve (12) mounting screws that secure the back upholstery to the back canes.
4. Secure NEW back upholstery to back canes with the existing twelve (12) mounting screws. Securely tighten.
5. Install the knob removed in STEP 1 to secure spreader bar to side frame. Securely tighten both knobs.

ADJUSTING HEADREST/BACK UPHOLSTERY TENSION (FIGURE 4)

- I. Rotate the spreader bar either:
- COUNTERCLOCKWISE** (away from back upholstery) to **LOOSEN** back/headrest upholstery.
 - OR**
 - CLOCKWISE** (towards back upholstery) to **TIGHTEN** back/headrest upholstery.

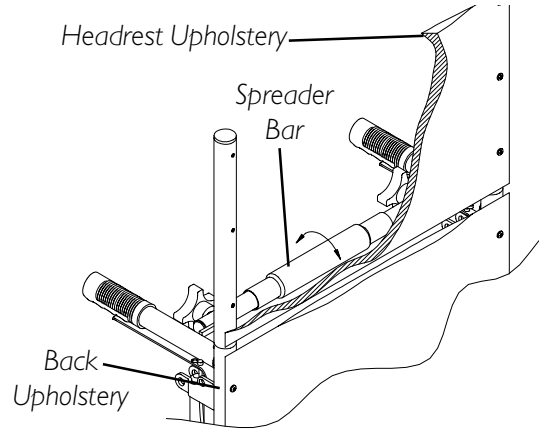


FIGURE 4 - ADJUSTING HEADREST/BACK UPHOLSTERY TENSION

ADJUSTING THE SEAT DEPTH

WARNING

Adjusting the seat depth of the 9000XT Recliner **MUST** be performed by a qualified technician.

ADJUSTING THE SEAT WIDTH

WARNING

Adjusting the seat depth of the 9000XT Recliner **MUST** be performed by a qualified technician.

STORING/REPLACING THE SPREADER BAR

STORING (FIGURE 5)

NOTE: The 9000XT RECLINER is folded for either storage or transporting. One side of the spreader bar must be removed and placed in a vertical position along side the recliner tube.

Removing From The Stored Position.

1. Rotate the end of the spreader bar 90° toward the opposite side frame.
2. Install threaded end of locking knob into locknut located on the opposite side frame. Securely tighten both knobs.

Placing In The Stored Position.

1. Remove one (1) locking knob from the spreader bar.
2. Loosen the remaining locking knob on the spreader bar.
2. Rotate detached end of the spreader bar 90° down toward floor.

REPLACING (FIGURE 6)

1. Remove both locking knobs that secure the spreader bar to the side frames.
2. Remove existing spreader bar.
3. Secure NEW spreader bar to the side frames with the existing locking knobs. Securely tighten.

REAR VIEW OF 9000XT RECLINER

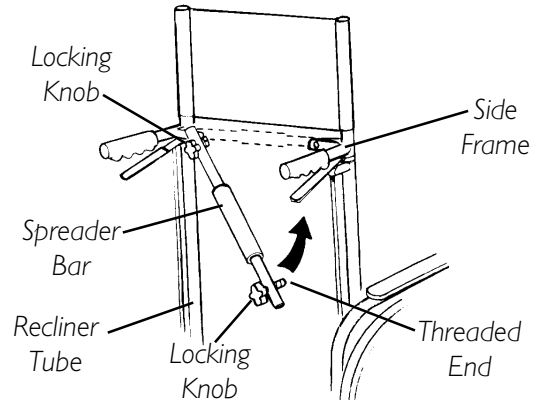


FIGURE 5 - STORING THE SPREADER BAR

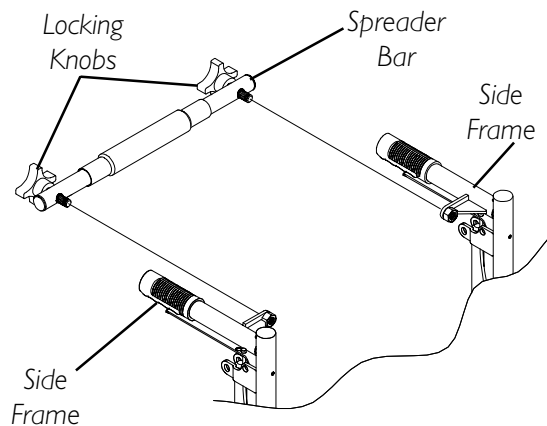


FIGURE 6 - REPLACING THE SPREADER BAR

INSTALLING THE ANTI-TIPPERS (FIGURE 15)

1. Install the anti-rattles onto the rear frame tubes if not already in place.
2. Position the anti-tippers with the anti-tipper wheels pointing toward the ground/floor
3. Press the release buttons IN.
4. Insert the anti-tippers into the rear frame tubing until the bottom release button locks in place.

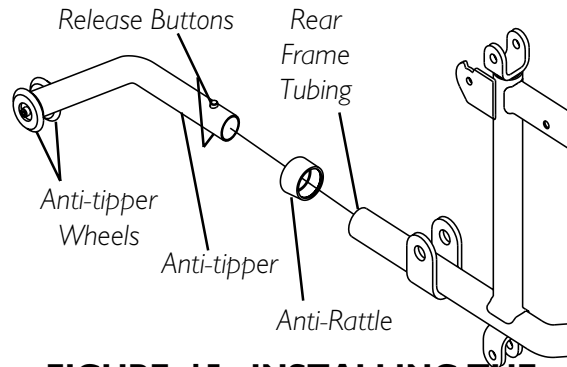
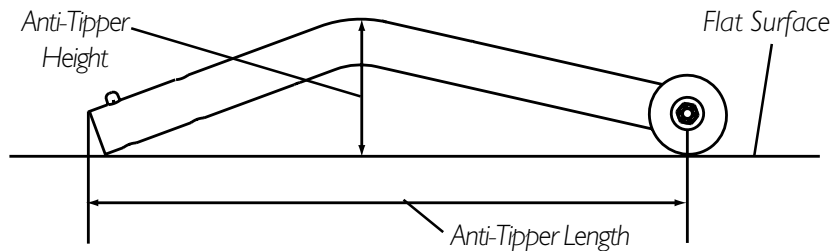


FIGURE 15 - INSTALLING THE ANTI-TIPPERS

NOTE: Refer to the following charts to ensure the correct anti-tipper is installed in the wheelchair. Seat-to-Floor heights are approximate depending on front caster type. The anti-tipper height measurement MUST be taken with the anti-tipper on a flat surface.



| 9000 XT RECLINER | | | | |
|------------------------|----------------------|----------------------------|----------|----------------------|
| WHEEL SIZE REAR/CASTER | SEAT-TO-FLOOR HEIGHT | ANTI-TIPPER LENGTH, HEIGHT | ON CHAIR | OFF CHAIR KIT NUMBER |
| 24/8-inch | 19-1/2-inches | 11-1/2, 2-1/2-inches | 1021767 | 1021767 |
| 22/8-inch | 18-1/2-inches | 10-1/4, 1-7/8-inches | 1061110 | 1061110 |
| 20/8-inch | 17-1/2-inches | 10, 1-1/2-inches | 1061109 | 1061109 |

RECLINER

REMOVING/INSTALLING THE REAR WHEELS

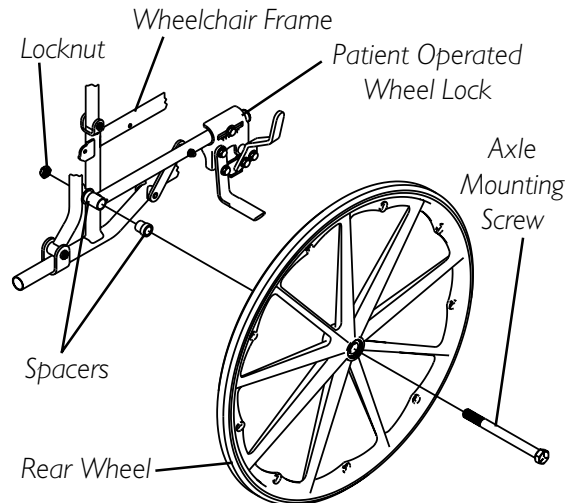
NOTE: If replacing the same size rear wheel, this procedure is performed.

WARNING

If changing the size of the rear wheel or if a change in the SEAT-TO-FLOOR HEIGHT is desired, this procedure must be performed by a qualified technician.

WITH PATIENT OPERATED WHEEL LOCKS (FIGURE 8)

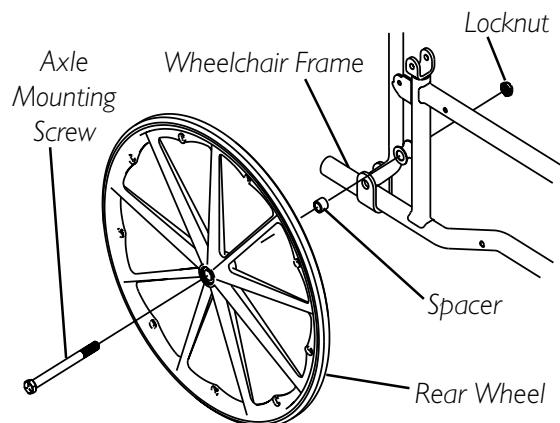
1. Remove the axle mounting screw and locknut that secure the patient operated wheel lock, spacers, and rear wheel to the wheelchair frame.
2. Secure rear wheel, patient operated wheel lock, and spacers to wheelchair frame with axle mounting screw and locknut. Securely tighten.



**FIGURE 8 - REMOVING/
INSTALLING THE REAR WHEELS -
WITH PATIENT OPERATED
WHEEL LOCKS**

WITH ATTENDANT OPERATED WHEEL LOCKS (FIGURE 9)

1. Remove the axle mounting screw and locknut that secure the rear wheel and spacer to the wheelchair frame.
2. Remove rear wheel from side frame.
3. Secure rear wheel and spacer to wheelchair frame with axle mounting screw and locknut. Securely tighten.



**FIGURE 9 - REMOVING/
INSTALLING THE REAR WHEELS -
WITH ATTENDANT
OPERATED WHEEL LOCKS**

USING/ADJUSTING THE WHEEL LOCKS

NOTE: For Using and/or Adjusting of Patient Operated Wheel Locks, refer to USING/ADJUSTING THE PATIENT OPERATED WHEEL LOCKS in SECTION 8 of this manual.

USING ATTENDANT OPERATED WHEEL LOCKS (FIGURE 10)

WARNING
DO NOT attempt to stop a moving wheelchair with the wheel locks. WHEEL LOCKS ARE NOT BRAKES.

1. Perform one (1) of the following:
 - A. **ENGAGE** - Apply pressure downward on wheel lock handle.
 - B. **DISENGAGE** - Lift up on wheel lock handle.

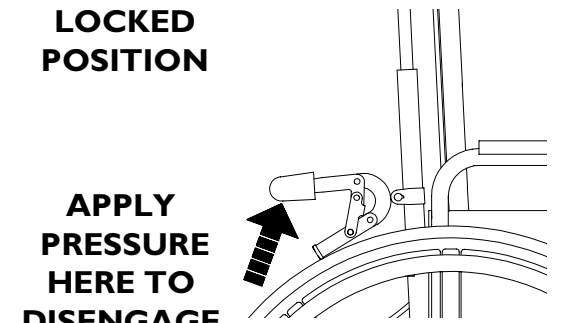
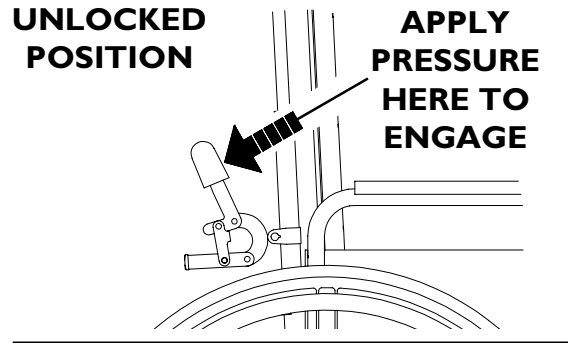


FIGURE 10 - USING ATTENDANT OPERATED WHEEL LOCKS

ADJUSTING ATTENDANT OPERATED WHEEL LOCKS (FIGURE 11)

NOTE: If wheels are pneumatic, before adjusting or replacing the wheel lock assemblies, ensure that the tires are inflated to the recommended psi located on the side wall of tire.

1. Loosen the bolt and locknut that secure the wheel lock to the recliner tube.
2. Adjust the position of wheel lock so that when engaged, the wheel lock shoe embeds the tire 1/8-inch (3/16-inch for pneumatic tires) and **HOLDS** the wheelchair.
3. Securely tighten the bolt and locknut.
4. Engage wheel lock and push against the wheelchair and determine if wheel lock engages the wheel lock shoe enough to hold the wheelchair.
5. Repeat the above procedures until the wheel lock **HOLDS** the wheelchair.
6. Repeat STEPS 1-5 for the opposite wheel lock.

DETAIL "A" - WHEEL LOCK SHOE ENGAGEMENT

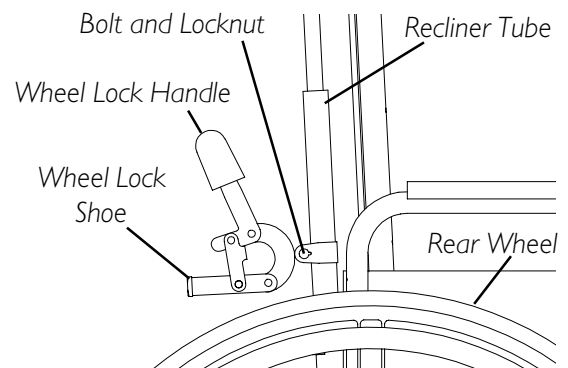
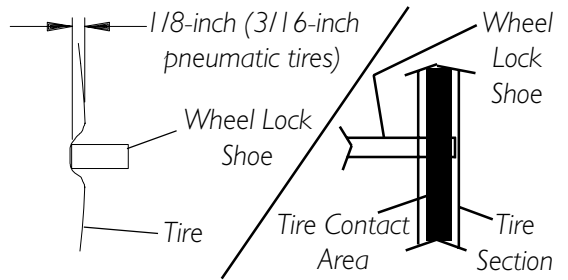


FIGURE 11 - ADJUSTING ATTENDANT OPERATED WHEEL LOCK

NOTE: Ensure the wheel lock shoe completely covers the tire contact area. See Detail "A" for proper positioning of wheel lock shoe.

RECLINER

INSTALLING THE TELESCOPING I.V. ROD

INSTALLING THE TELESCOPING I.V. ROD HOLDER (FIGURE 12)

1. Remove the rear wheel from the wheelchair. Refer to REMOVING/INSTALLING THE REAR WHEELS in this section of the manual.
2. Remove the locknut and hex screw that secure the arm socket to the wheelchair frame.
3. Remove the locknut that secures the back tube to the clevis bracket.
4. Position the top hole on the flat portion of the I.V. holder on the existing pivot screw of the clevis bracket as shown in FIGURE 13.
5. Reinstall locknut onto pivot screw. **DO NOT** tighten yet.
6. Thread the provided mounting screw through the lower hole on the front cylinder section of the I.V. holder, through the side frame, and into the locknut. Turn nut until snug fit is obtained. **DO NOT** tighten yet.
7. Reinstall the arm to orient front cylinder of I.V. holder. Refer to REMOVING/REPLACING ARMRESTS in SECTION 4 of this manual.
8. Once front cylinder is oriented for proper clearance of the armrest, securely tighten both locknuts.
9. Install the I. V. rod support tube. Refer to INSTALLING THE I.V. ROD SUPPORT TUBE in this section of the manual.

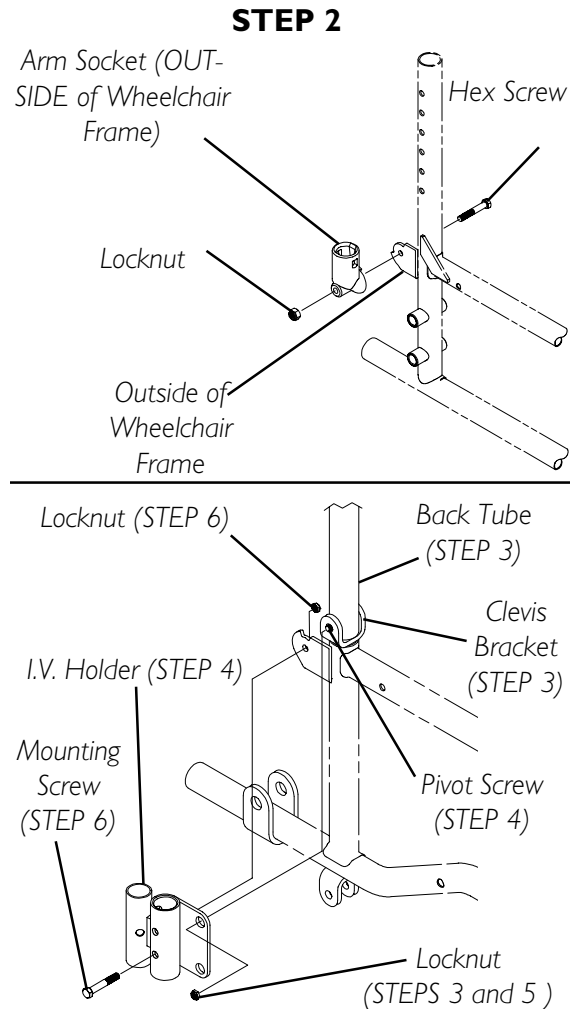


FIGURE 12 - INSTALLING THE TELESCOPING I.V. ROD HOLDER

INSTALLING THE TELESCOPING I.V. ROD SUPPORT TUBE (FIGURE 14)

NOTE: The I.V. rod holder must already be mounted to the side frame of the wheelchair.

1. Insert the I.V. rod support tube into the rear cylinder of the I.V. rod holder.

NOTE: When installing the I.V. rod support tube, ensure the adjustment knob is pointing out away from the wheelchair.

2. Turn the I.V. rod support tube until the holes in the I.V. rod support tube align with the holes in the rear cylinder of the I.V. rod holder.
3. Insert mounting screw through rear cylinder, large nylon washer, small nylon washer, steel washer, and into locknut. Securely tighten.

NOTE: The large nylon washer must be inserted into hole and pressed in so that it is flush with outside surface of rear cylinder.

4. Reinstall the rear wheel from the wheelchair. Refer to REMOVING/INSTALLING THE REAR WHEELS in this section of the manual.
5. Adjust I.V. rod to desired height. Refer to ADJUSTING THE TELESCOPING I.V. ROD in this section of the manual.

ADJUSTING THE TELESCOPING I.V. ROD (FIGURE 14)

1. Loosen adjustment knob.
2. Adjust I.V. Rod to desired height.
3. Securely tighten adjustment knob.

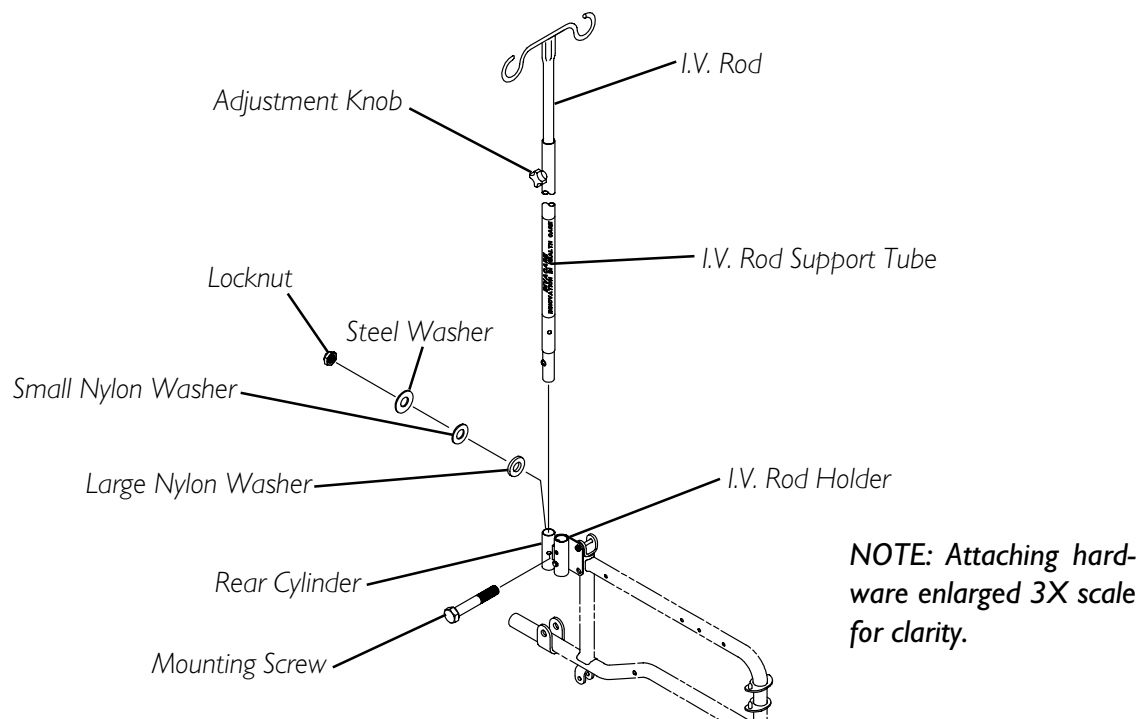


FIGURE 14 - INSTALLING/ADJUSTING THE TELESCOPING I.V. ROD SUPPORT TUBE

Section 10 - Options includes the following:

Installing/Cleaning the Telescoping I.V. Rod/O₂ Holders

Installing the Solid Folding Seat

Installing the Crutch and Cane Carrier

Installing the Amputee Bracket - Super Hemi Models Only

Installing the Amputee Bracket - All Models Except Super Hemi

WARNING

After ANY adjustments, repair or service and BEFORE use, make sure all attaching hardware is tightened securely - otherwise injury or damage may occur.

NOTE: The options in this section refer to NON-RECLINER MODELS ONLY, refer to SECTION 9 for 9000XT Recliner options.

INSTALLING/CLEANING THE TELESCOPING I.V. ROD/O₂ HOLDERS (FIGURE 1)

INSTALLING

WARNING

The telescoping I.V. rod/O₂ holder **MUST** be checked weekly to ensure it is tightly secured to the wheelchair frame. If there is any looseness whatsoever, tighten the attachment hardware securely **BEFORE** using.

TELESCOPING I.V. ROD HOLDER ONLY - Make sure the telescoping I.V. rod is tightly locked **BEFORE** placing I.V. medication on the rod.

The telescoping I.V. rod is designed to support I.V. medication only. **DO NOT** use it to support objects other than I.V. medication.

1. Slide telescoping I.V. rod/O₂ holder over the step tube of the wheelchair.

NOTE: Mounting bracket of telescoping I.V. rod/O₂ holder should be positioned between the two (2) axle mounting positions on wheelchair frame.

2. Secure telescoping I.V. rod/O₂ holder to the wheelchair frame with hex screw, spacer and locknut.
3. TELESCOPING I.V. ROD HOLDER ONLY - Secure the top of the telescoping I.V. rod holder to the wheelchair frame with a tie wrap.

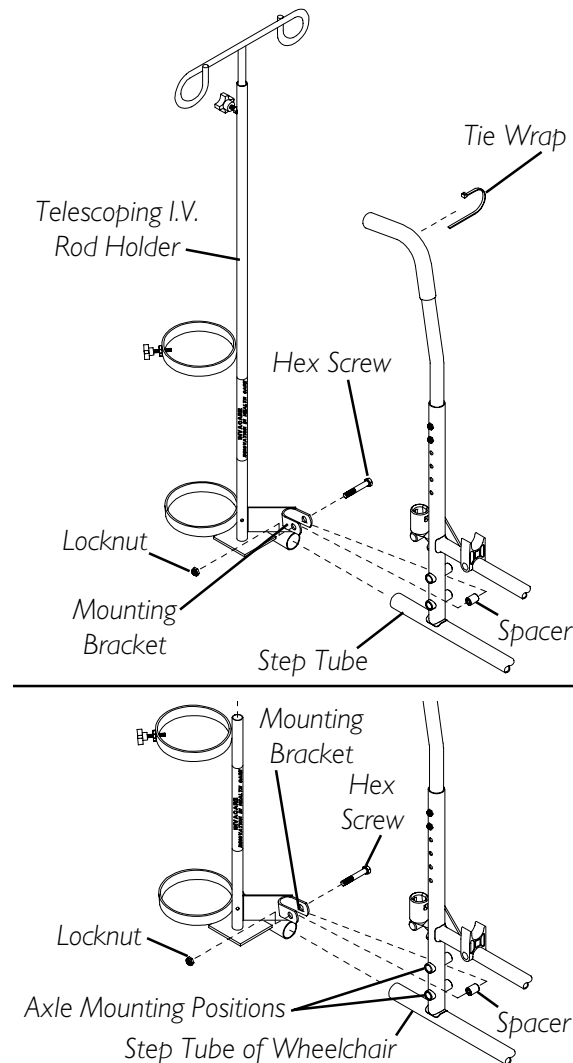


FIGURE 1 - INSTALLING THE TELESCOPING I.V. ROD/O₂ HOLDERS

CLEANING

WARNING

The user and O₂ cylinder must be removed from the wheelchair when cleaning the O₂ holder. Otherwise, injury or damage may occur if cleaning agents come in contact with the O₂ regulator.

1. Remove the user, any I.V. medication and the O₂ cylinder from the wheelchair.
2. The telescoping I.V. rod/O₂ holders clean easily with any household glass type cleaner.
3. After the cleaning solution has dried, it is safe for the user to re-occupy the wheelchair.

INSTALLING THE SOLID FOLDING SEAT (FIGURE 2)

1. Remove the existing seat upholstery from the wheelchair. Refer to REPLACING THE SEAT UPHOLSTERY in SECTION 5 of this manual.
2. Slide solid folding seat with the seat brackets attached over the crossbraces.
3. Position the seat brackets in between the H-blocks of the seat frame.
4. Push the seat frame down and into the H-blocks making sure the solid folding seat brackets are positioned in-between the H-blocks.
5. Place the other side of the solid folding seat (seat hooks) over the opposite side crossbrace.

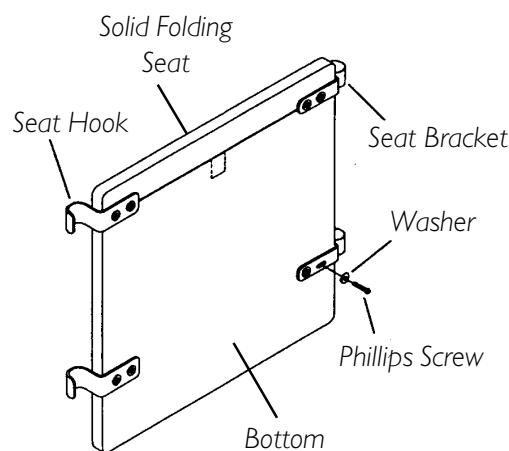


FIGURE 2 - INSTALLING THE SOLID FOLDING SEAT

INSTALLING THE CRUTCH AND CANE CARRIER (FIGURE 3)

WARNING

Check base weekly to ensure proper placement.

When loading the crutch/cane carrier, Ensure items are securely placed into the base. Also ensure that there is no interference with folding the wheelchair, the rear wheels, or the swing-back arms.

Strap **MUST** be securely fastened while carrying items.

Never insert or remove items while wheelchair is moving.

1. Slide the clamp with the base attached over the end of the step tube of the wheelchair. Ensure the base is towards the inside of the wheelchair.
2. Position the base parallel to the step tube.

CAUTION

Base should be parallel to step tube to avoid bending spokes when folding the wheelchair.

3. Securely tighten the locknut that secures the base to the step tube of the wheelchair.
4. Remove the upper back upholstery screw and washer.
5. Align the strap with the back upholstery screw mounting hole.
6. Reinstall the back upholstery screw and washer and secure the strap to the wheelchair.
7. The base cleans easily with any chrome or glass cleaner. The strap can be cleaned with mild soap and water.

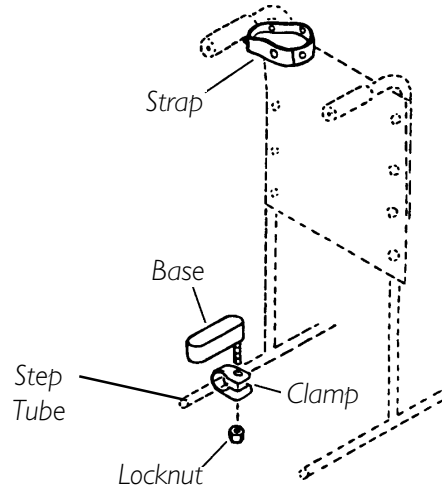


FIGURE 3 - INSTALLING THE CRUTCH AND CANE CARRIER

INSTALLING THE AMPUTEE BRACKET - SUPER HEMI MODELS ONLY (FIGURE 4)

1. Remove the plug button or anti-tipper from the step tube of the wheelchair frame.
2. Slide the amputee attachment over the step tube of the wheelchair.
3. Secure the amputee attachment to the wheelchair with the hex screw, spacer and locknut.
4. Reinstall the plug button or anti-tipper onto the step tube of the wheelchair frame.
5. Repeat STEPS 1-4 for the opposite side of the wheelchair.
6. Reposition the rear wheels. Refer to REMOVING/INSTALLING REAR WHEELS in SECTION 6 of this manual.

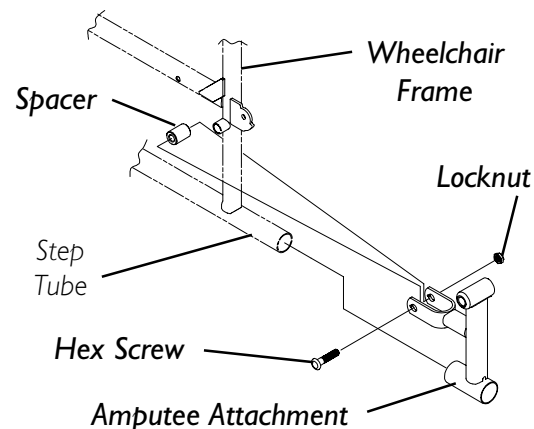


FIGURE 4 - INSTALLING THE AMPUTEE BRACKET - SUPER HEMI MODELS ONLY

INSTALLING THE AMPUTEE BRACKET - ALL MODELS EXCEPT SUPER HEMI

9000SL/XT (FIGURE 5)

1. Refer to the following chart or FIGURE 5 to determine the mounting position of the amputee bracket:

| SEAT-TO-FLOOR | *BRACKET | AXLE SPACER POSITION (on bracket) | SIDE OF WHEELCHAIR | AXLE MOUNTING POSITION (on wheelchair) |
|---------------|----------|-----------------------------------|--------------------|--|
| ADULT | A | DOWN | RIGHT | TOP |
| ADULT | B | DOWN | LEFT | TOP |
| HEMI | B | UP | RIGHT | BOTTOM |
| HEMI | A | UP | LEFT | BOTTOM |

*NOTE: "A" and "B" are stamped on the sides of the amputee bracket.

2. Install the amputee bracket on the wheelchair frame to the position determined in STEP 1.

NOTE: Make sure the axle spacer is pointing towards the outside of the wheelchair.

3. Install the two (2) hex screws and locknuts that secure the amputee bracket to the wheelchair.
4. Install the rear wheels onto the wheelchair. Refer to REMOVING/INSTALLING THE REAR WHEELS in SECTION 6 of this manual.

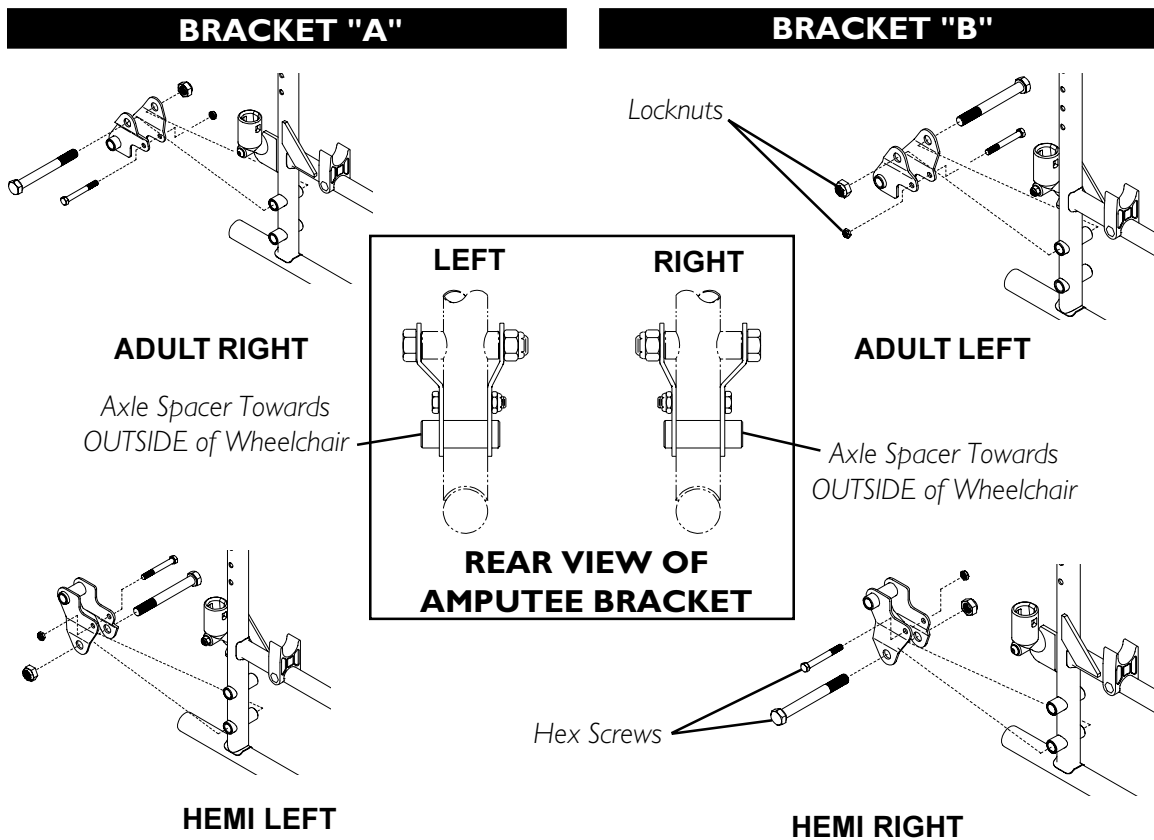


FIGURE 5 - INSTALLING THE AMPUTEE BRACKET - 9000SL/XT

9000XDT (FIGURE 6)

1. Refer to the following chart or FIGURE 6 to determine the mounting position of the amputee bracket:

| SEAT-TO-FLOOR | *BRACKET | AXLE SPACER POSITION (on bracket) | SIDE OF WHEELCHAIR | AXLE MOUNTING POSITION (on wheelchair) |
|---------------|----------|-----------------------------------|--------------------|--|
| TALL | A | DOWN | RIGHT | MIDDLE |
| TALL | B | DOWN | LEFT | MIDDLE |
| ADULT | B | UP | RIGHT | BOTTOM |
| ADULT | A | UP | LEFT | BOTTOM |
| HEMI | B | UP | RIGHT | MIDDLE |
| HEMI | A | UP | LEFT | MIDDLE |

**Note: "A" and "B" are stamped on the sides of the amputee bracket.*

2. Install the amputee bracket on the wheelchair frame to the position determined in STEP 1.

NOTE: Make sure the axle spacer is pointing towards the outside of the wheelchair.

3. Install the two (2) hex screws and locknuts that secure the amputee bracket to the wheelchair.
4. Install the rear wheels onto the wheelchair. Refer to REMOVING/INSTALLING THE REAR WHEELS in SECTION 6 of this manual.

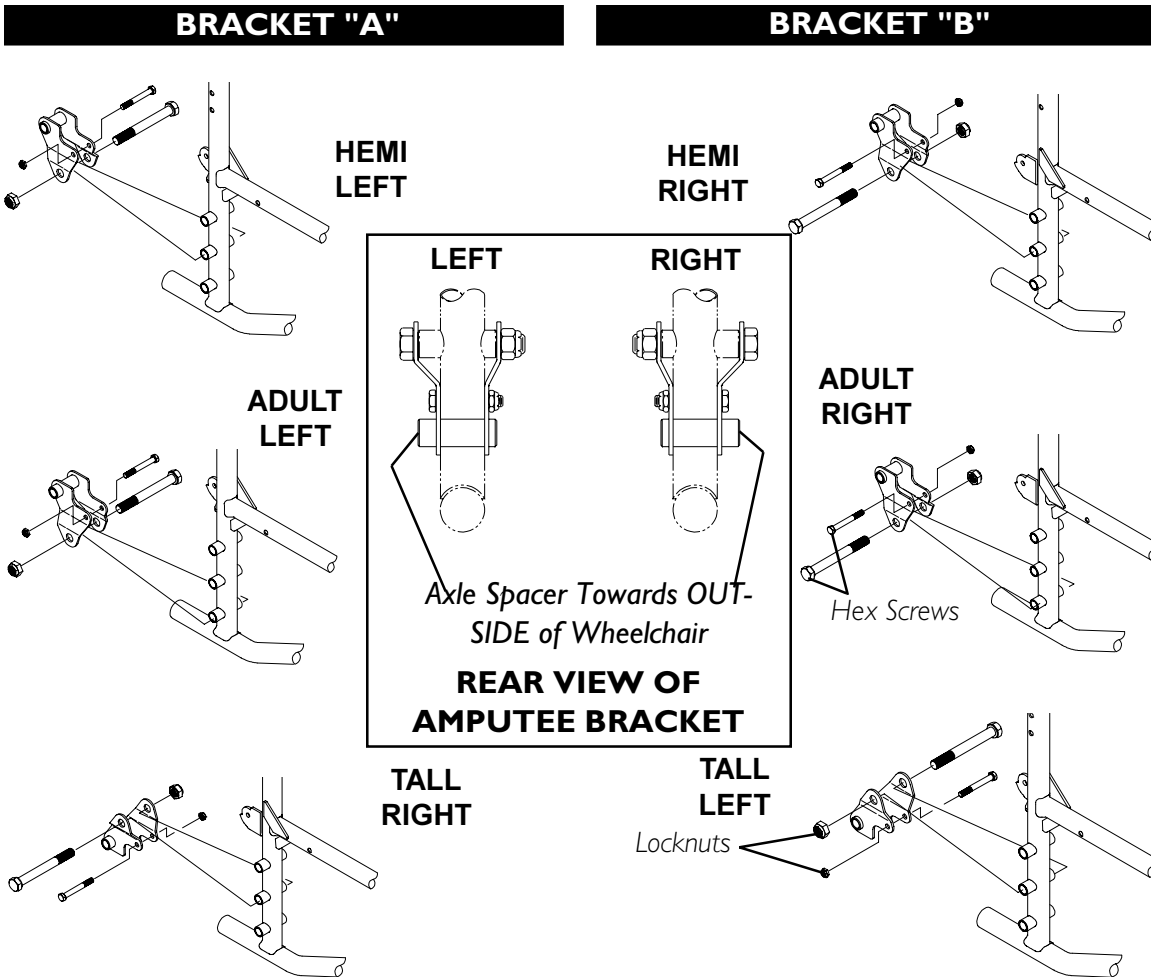


FIGURE 6 - INSTALLING THE AMPUTEE BRACKET - 9000XDT

LIMITED WARRANTY

PLEASE NOTE: THE WARRANTY BELOW HAS BEEN DRAFTED TO COMPLY WITH FEDERAL LAW APPLICABLE TO PRODUCTS MANUFACTURED AFTER JULY 4, 1975.

This warranty is extended only to the original purchaser/user of our products.

This warranty gives you specific legal rights and you may also have other legal rights which vary from state to state.

Invacare warrants its product to be free from defects in materials and workmanship for a period of one (1) year from date of purchase (including the spring lift mechanisms for the recliners). The side frames and crossmembers are warranted for the lifetime of the original purchaser/users. If within such warranty period any such product shall be proven to be defective, such product shall be repaired or replaced, at Invacare's option. This warranty does not include any labor or shipping charges incurred in replacement part installation or repair of any such product. Invacare's sole obligation and your exclusive remedy under this warranty shall be limited to such repair and/or replacement.

For warranty service, please contact the dealer from whom you purchased your Invacare product. In the event you do not receive satisfactory warranty service, please write directly to Invacare at the address below. Provide dealer's name, address, the product model number, date of purchase, indicate nature of the defect and, if the product is serialized, indicate the serial number. Do not return products to our factory without our prior consent.

LIMITATIONS AND EXCLUSIONS: THE FOREGOING WARRANTY SHALL NOT APPLY TO SERIAL NUMBERED PRODUCTS IF THE SERIAL NUMBER HAS BEEN REMOVED OR DEFACED, PRODUCTS SUBJECTED TO NEGLIGENCE, ACCIDENT, IMPROPER OPERATION, MAINTENANCE OR STORAGE, PRODUCTS MODIFIED WITHOUT INVACARE'S EXPRESS WRITTEN CONSENT INCLUDING, BUT NOT LIMITED TO, MODIFICATION THROUGH THE USE OF UNAUTHORIZED PARTS OR ATTACHMENTS; PRODUCTS DAMAGED BY REASON OF REPAIRS MADE TO ANY COMPONENT WITHOUT THE SPECIFIC CONSENT OF INVACARE, OR TO A PRODUCT DAMAGED BY CIRCUMSTANCES BEYOND INVACARE'S CONTROL, AND SUCH EVALUATION WILL BE SOLELY DETERMINED BY INVACARE. THE WARRANTY SHALL NOT APPLY TO PROBLEMS ARISING FROM NORMAL WEAR OR FAILURE TO ADHERE TO THESE INSTRUCTIONS.

THE FOREGOING EXPRESS WARRANTY IS EXCLUSIVE AND IN LIEU OF ANY OTHER WARRANTIES WHATSOEVER, WHETHER EXPRESS OR IMPLIED, INCLUDING THE IMPLIED WARRANTIES OF MERCHANTABILITY AND FITNESS FOR A PARTICULAR PURPOSE, AND THE SOLE REMEDY FOR VIOLATIONS OF ANY WARRANTY WHATSOEVER, SHALL BE LIMITED TO REPAIR OR REPLACEMENT OF THE DEFECTIVE PRODUCT PURSUANT TO THE TERMS CONTAINED HEREIN. THE APPLICATION OF ANY IMPLIED WARRANTY WHATSOEVER SHALL NOT EXTEND BEYOND THE DURATION OF THE EXPRESS WARRANTY PROVIDED HEREIN. INVACARE SHALL NOT BE LIABLE FOR ANY CONSEQUENTIAL OR INCIDENTAL DAMAGES WHATSOEVER.

THIS WARRANTY SHALL BE EXTENDED TO COMPLY WITH STATE/PROVINCIAL LAWS AND REQUIREMENTS.



Yes, you can.™

Invacare Corporation www.invacare.com

USA
One Invacare Way
Elyria, Ohio USA
44036-2125
800-333-6900

Canada
570 Matheson Blvd E Unit 8
Mississauga Ontario
L4Z 4G4 Canada
800-668-5324

Invacare is a registered trademark of
Invacare Corporation.
Yes, you can. is a trademark of Invacare
Corporation.
3-in-1 oil is a registered trademark of
the WD-40 Company.
Teflon is a registered trademark of E.I.
Du Pont De Nemours and Company.
© 2002 Invacare Corporation

Part No. 1056953 Rev J - 10/02