

**I.V. ROD TELESCOPING KIT
9000XT RECLINER - KIT NO. 1074656
2000, 4000 AND 9000 RIDELITE
RECLINER - KIT NO. 1029598**



Installation, Assembly and Operating Instructions

NOTE: Check ALL parts for shipping damage. In case of shipping damage, DO NOT use. Contact Carrier/Dealer for further instruction.

SAFETY SUMMARY

The following recommendations are made for safe installation and adjustment of the I.V. Rod Telescoping Kit:

GENERAL WARNINGS

DO NOT install or use this equipment without first reading and understanding this instruction sheet. If you are unable to understand the Warnings, Cautions or Instructions, contact a healthcare professional, dealer or technical personnel before attempting to install this equipment - otherwise, injury or damage may occur.

DO NOT pull/push the wheelchair by the I.V. rod assembly. Injury to the assistant/occupant and/or damage to the I.V. rod assembly may occur.

DO NOT place any other objects on the I.V. rod assembly other than those determined by a healthcare professional.

INSTALLATION WARNINGS

After ANY adjustments, repair or service and BEFORE use, make sure all attaching hardware is securely tightened - otherwise injury or damage may result.

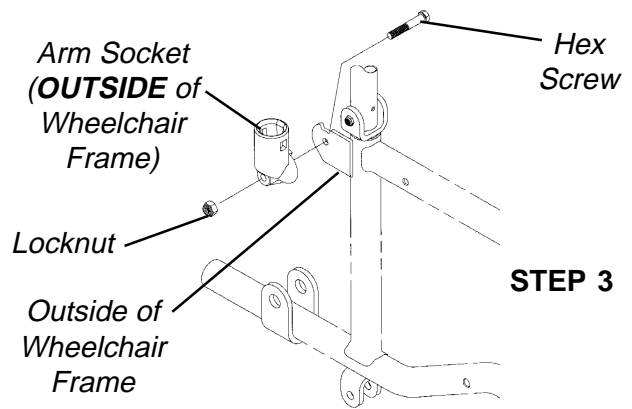
Use EXTREME caution when the I.V. rod holder for MODELS 2000, 4000 and 9000 Ridelite is installed. When installed, the rear arm release lever is removed and will NOT lock the arm in place.

*NOTE: If installing the telescoping I.V. rod holder onto a 2000, 4000 or 9000 RIDELITE, refer to **INSTALLING THE TELESCOPING I.V. ROD HOLDER - 2000, 4000 or 9000 RIDELITE** in this instruction sheet.*

INSTALLING THE TELESCOPING I.V. ROD HOLDER - 9000XT ONLY (FIGURE 1)

*NOTE: Refer to **INSTALLATION WARNINGS** in the **SAFETY SUMMARY** in this instruction sheet.*

1. Remove the rear wheel from the wheelchair. Refer to **REMOVING/INSTALLING THE REAR WHEELS** in this instruction sheet.
2. Remove the arm from the wheelchair. Refer to **REMOVING/INSTALLING THE ARMRESTS** in this instruction sheet.
3. Remove the locknut and hex screw that secure the arm socket to the wheelchair frame.
4. Remove the locknut that secures the back tube to the clevis bracket.
5. Position the I.V. holder on the existing pivot bolt as shown in **FIGURE 1**.



STEP 3

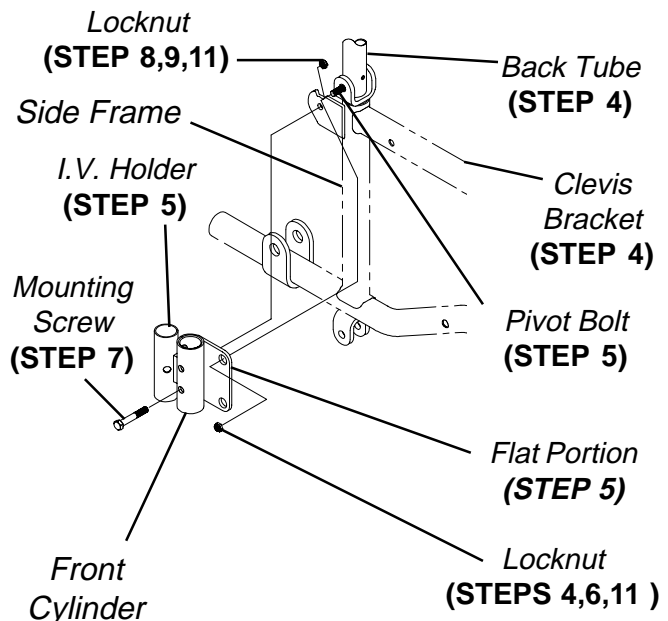


FIGURE 1 - INSTALLING THE TELESCOPING I.V. ROD HOLDER

6. Reinstall locknut onto pivot bolt. **DO NOT** tighten.
7. Install the provided mounting screw through the lower hole on the front cylinder section of the I.V. holder and into the side frame.
8. Install locknut onto mounting screw.
9. Turn locknut until snug fit is obtained. **DO NOT** tighten.
10. Reinstall the arm to ensure proper fit. Refer to **REMOVING/INSTALLING THE ARMRESTS** in this instruction sheet.
11. Securely tighten both locknuts of **STEPS 6 AND 9**.
12. Install the I. V. rod support tube. Refer to **INSTALLING THE I.V. ROD SUPPORT TUBE** in this instruction sheet.

INSTALLING THE I.V. ROD SUPPORT TUBE (FIGURE 2)

*NOTE: Refer to **INSTALLATION WARNINGS** in the **SAFETY SUMMARY** in this instruction sheet.*

NOTE: The I.V. holder must already be mounted to the side frame of the wheelchair.

1. Insert the I.V. rod support tube into the rear cylinder of the I.V. rod holder.

NOTE: When installing the I.V. rod support tube, ensure the adjustment knob is pointing out away from the wheelchair.

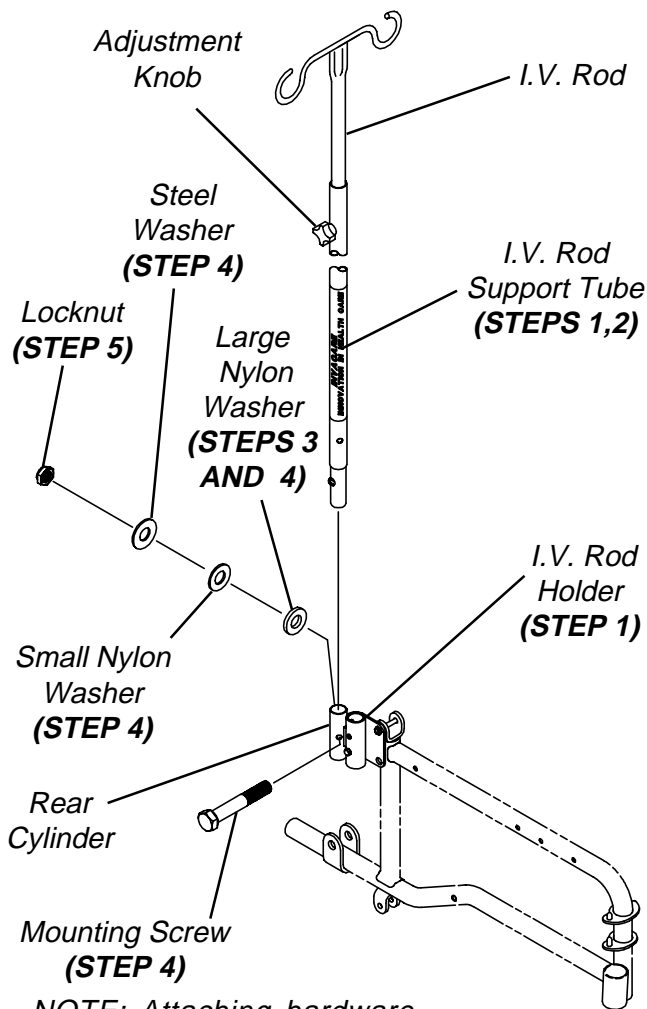
2. Turn the I.V. rod support tube until the holes in the I.V. rod support tube align with the holes in the rear cylinder of the I.V. rod holder.
3. Press the large nylon washer into the back hole of the rear cylinder so that it is flush with outside surface.
4. Insert mounting screw through rear cylinder, large nylon washer, small nylon washer, and steel washer.
5. Install locknut onto mounting screw. Securely tighten.
6. Reinstall the rear wheel onto the wheelchair. Refer to **REMOVING/INSTALLING THE REAR WHEELS** in this instruction sheet.
7. Adjust I.V. rod to desired height. Refer to **ADJUSTING THE I.V. ROD** in this instruction sheet.

ADJUSTING THE I.V. ROD (FIGURE 2)

*NOTE: Refer to **INSTALLATION WARNINGS** in the **SAFETY SUMMARY** in this instruction sheet.*

1. Loosen adjustment knob.

2. Adjust I.V. Rod to desired height.
3. Securely tighten adjustment knob.



NOTE: Attaching hardware enlarged 3X scale for clarity.

FIGURE 2 - INSTALLING I.V. ROD SUPPORT TUBE/ADJUSTING THE I.V. ROD

REMOVING/INSTALLING THE REAR WHEELS

*NOTE: Refer to **INSTALLATION WARNINGS** in the **SAFETY SUMMARY** in this instruction sheet.*

Recliners With Patient Operated Wheel Locks (FIGURE 3)

REMOVING.

1. Remove the axle mounting screw and locknut that secure the patient operated wheel lock, spacers, and rear wheel to the wheelchair frame.

INSTALLING.

1. Secure rear wheel, patient operated wheel lock, and spacers to wheelchair frame with axle mounting screw and locknut. Securely tighten.

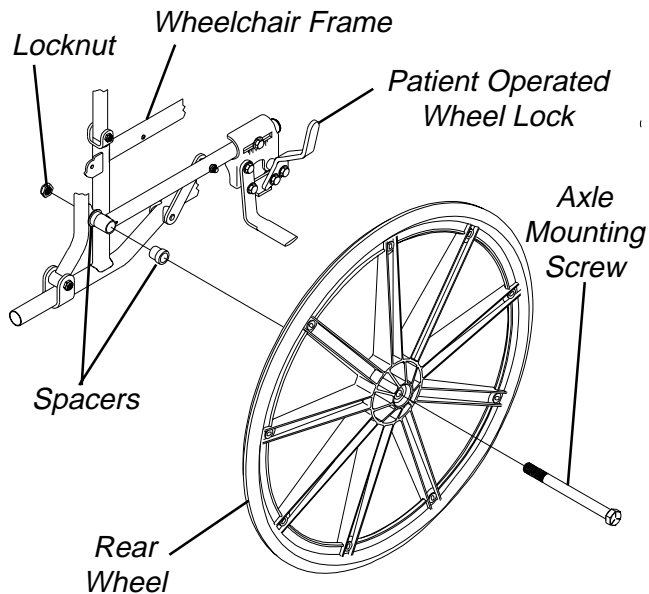


FIGURE 3 - REMOVING/INSTALLING THE REAR WHEELS - RECLINERS WITH PATIENT OPERATED WHEEL LOCKS

Recliners With Attendant Operated Wheel Locks (FIGURE 4)

REMOVING.

1. Remove the axle mounting screw and locknut that secure the rear wheel and spacer to the wheelchair frame.

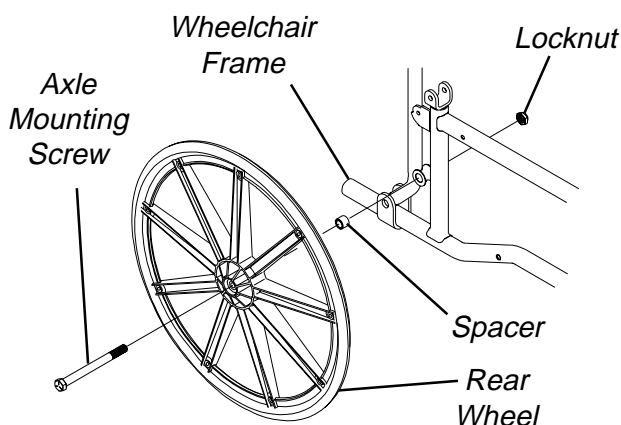


FIGURE 4 - REMOVING/INSTALLING THE REAR WHEELS - RECLINERS WITH ATTENDANT OPERATED WHEEL LOCKS

INSTALLING.

1. Secure rear wheel and spacer to wheelchair frame with axle mounting screw and locknut. Securely tighten.

REMOVING/INSTALLING THE ARMRESTS (FIGURE 5)

NOTE: Refer to **INSTALLATION WARNINGS** in the **SAFETY SUMMARY** in this instruction sheet.

WARNING

Make sure the armrest release lever is in the locked position before using the wheelchair.

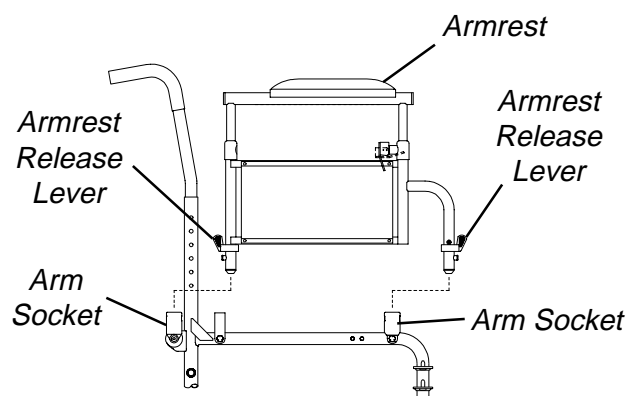
Removing the Armrests

1. Unlock the armrest by turning the armrest release levers towards the outside of the wheelchair.
2. Lift armrest completely out of arm sockets from the wheelchair.

Installing the Armrests

NOTE: Armrest release levers **MUST** be in the unlocked position when placing armrests into the arm sockets.

1. Place armrest into arm sockets located on the side of the wheelchair.
2. Lock the armrest by turning the armrest release levers towards the inside of the wheelchair.



NOTE: Only the adjustable height armrest is shown for clarity. The fixed height armrest remove/install in the same manner.

FIGURE 5 - REMOVING/INSTALLING THE ARMRESTS

INSTALLING THE TELESCOPING I.V. ROD HOLDER - 2000, 4000 AND 9000 RIDELITE (FIGURE 6)

NOTE: Refer to **INSTALLATION WARNINGS** in the **SAFETY SUMMARY** in this instruction sheet.

1. Remove the rear wheel from the wheelchair. Refer to **REMOVING/INSTALLING THE REAR WHEELS** in this instruction sheet.
2. Remove the arm from the wheelchair. Refer to **REMOVING/INSTALLING THE ARMRESTS** in this instruction sheet.
3. Do one (1) of the following:
 - A. If arm tube does NOT contain arm release lever, proceed to **STEP 4**.
 - B. If arm tube contains arm release lever, the spring button and arm release lever MUST be removed to ensure proper fit by performing the following:
 - a. Depress the spring button on the arm.
 - b. Slide the arm release lever to remove from the arm.
 - c. Remove the plug button on the bottom of the arm.
 - d. Depress the spring button on the arm.
 - e. Remove the spring from the arm.
 - f. Reinstall EXISTING plug button to the bottom of the arm.
 - g. Proceed to **STEP 4**.
4. Remove the EXISTING pivot bolt and locknut that secure the reclining back tube to the rear upright.
5. Install the NEW pivot bolt through the reclining back tube and rear upright.

NOTE: The I.V. rod holder can be mounted on either side of the wheelchair.

WARNING

Before installing the I.V. rod holder, ensure that the flat portion of the I.V. holder is closest to the side frame of the wheelchair - otherwise injury or damage may result.

6. Position the I.V. rod holder onto the EXISTING arm socket as shown in **FIGURE 6**.
7. Securely tighten the I.V. rod holder to the wheelchair with EXISTING locknut.

NOTE: When installing the I.V. rod support tube, ensure the adjustment knob is pointing out away from the wheelchair.

8. Install the I.V. rod support tube into the I.V. rod holder.
9. Align the holes in the I.V. rod support tube with the I.V. rod holder.
10. Install the mounting screw through the I.V. holder and I.V. support rod support tube.
11. Install the locknut that secures the I.V. rod support tube and I.V. rod holder to the wheelchair.
12. Reinstall the arm to ensure proper fit. Refer to **REMOVING/INSTALLING THE ARMRESTS** in this instruction sheet.
13. Securely tighten both locknuts of **STEPS 5 AND 8**.
14. Reinstall the rear wheel onto the wheelchair. Refer to **REMOVING/INSTALLING THE REAR WHEELS** in this instruction sheet.
15. Adjust I.V. rod to desired height. Refer to **ADJUSTING THE I.V. ROD** in this instruction sheet.

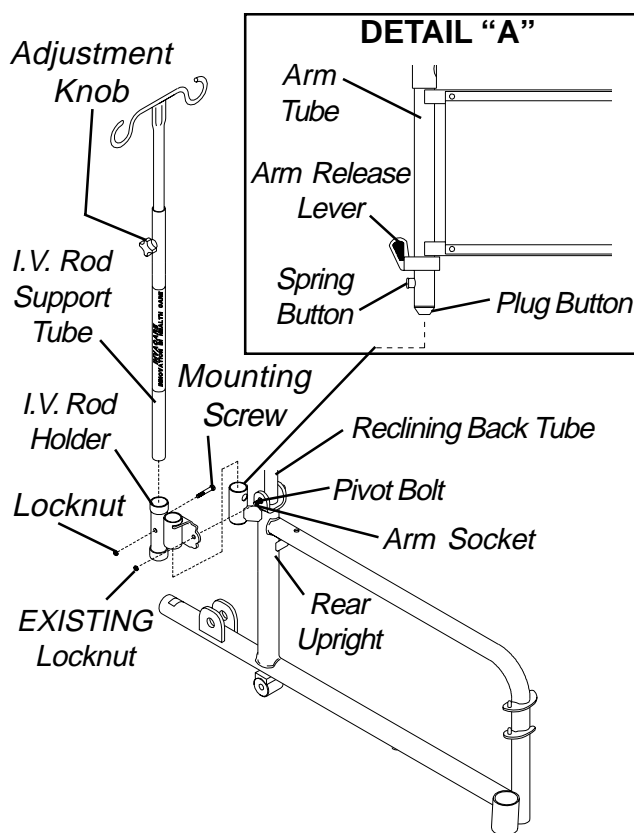


FIGURE 6 - INSTALLING THE TELESCOPING I.V. ROD HOLDER - 2000, 4000 and 9000 RIDELITE